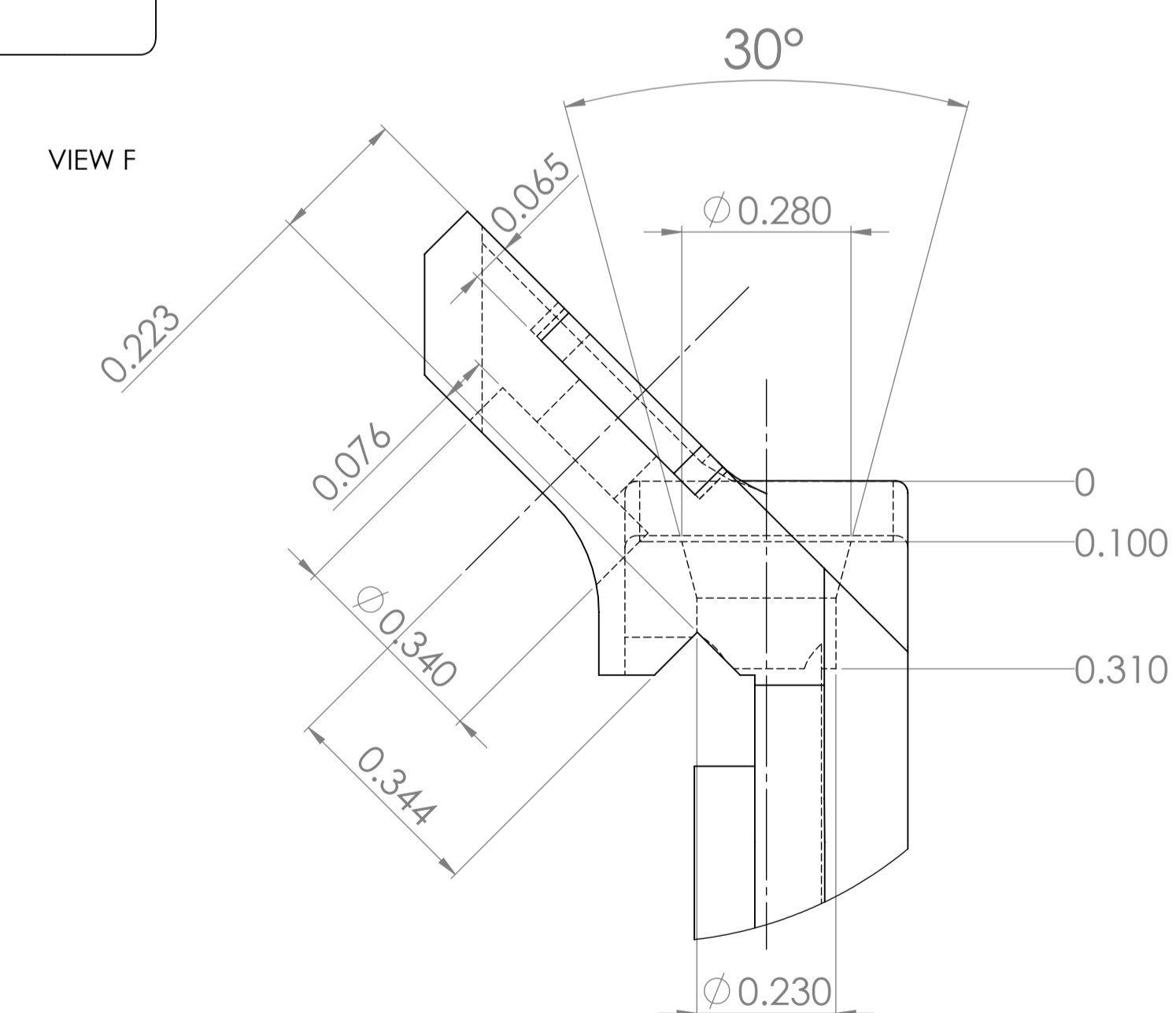
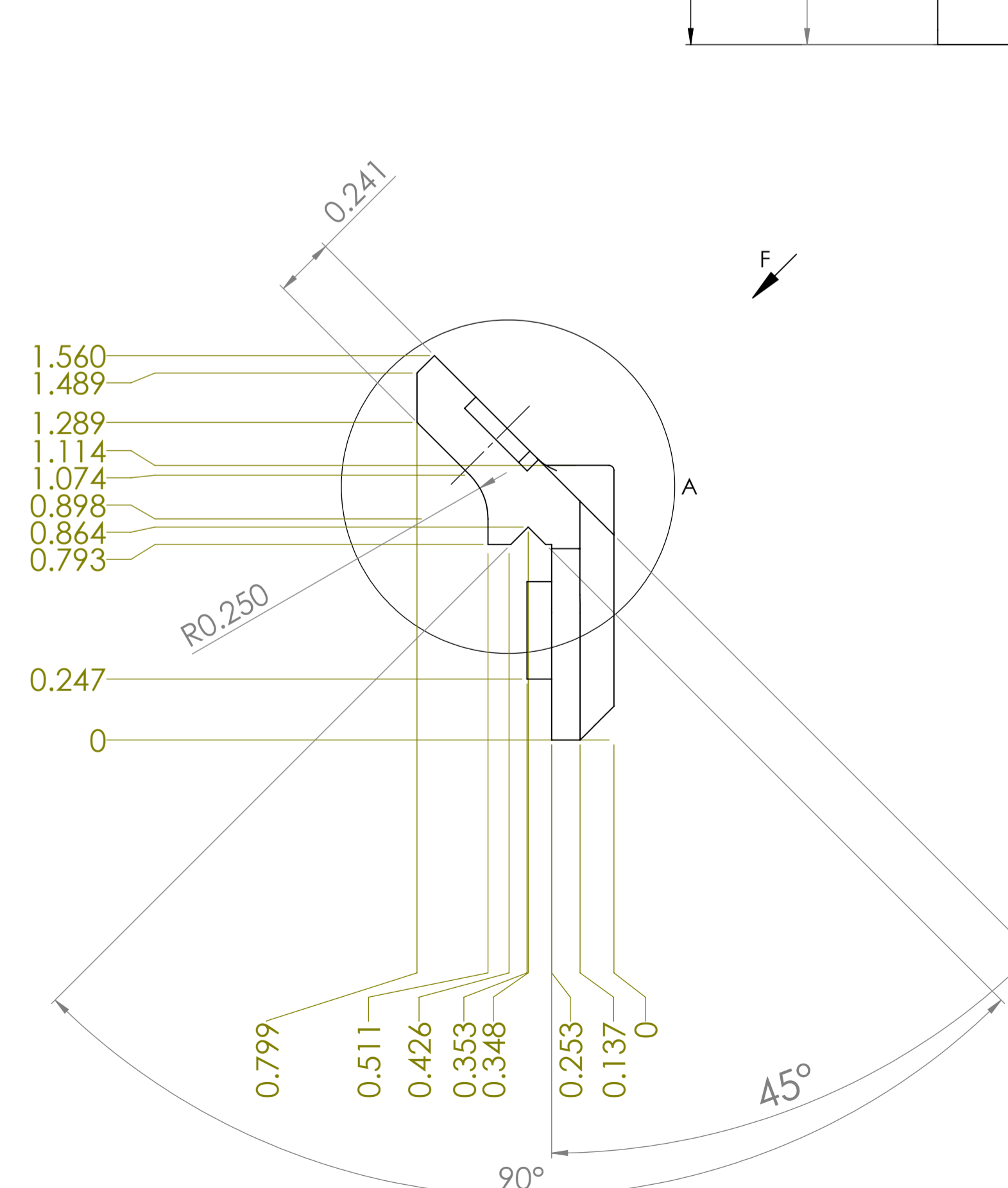
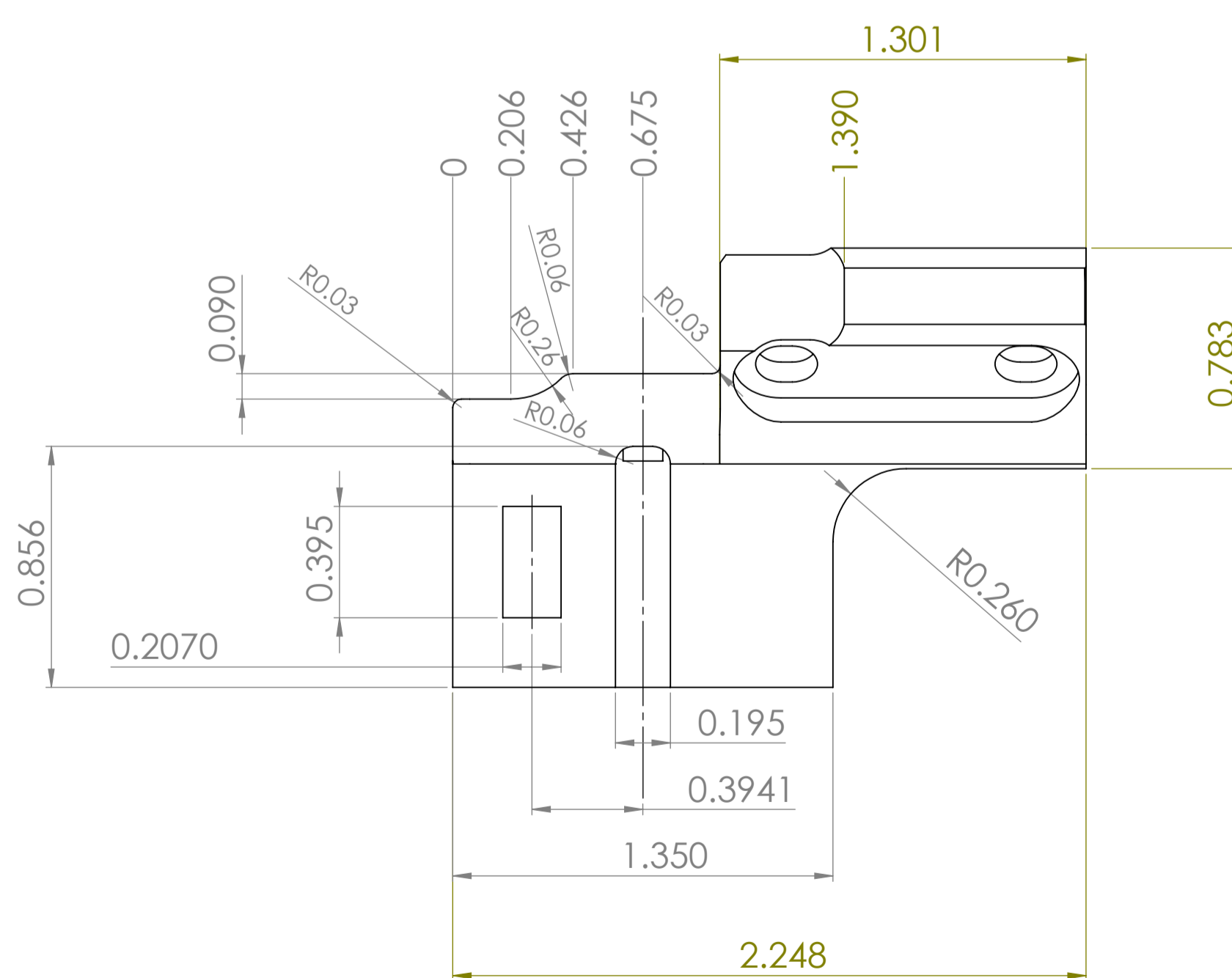
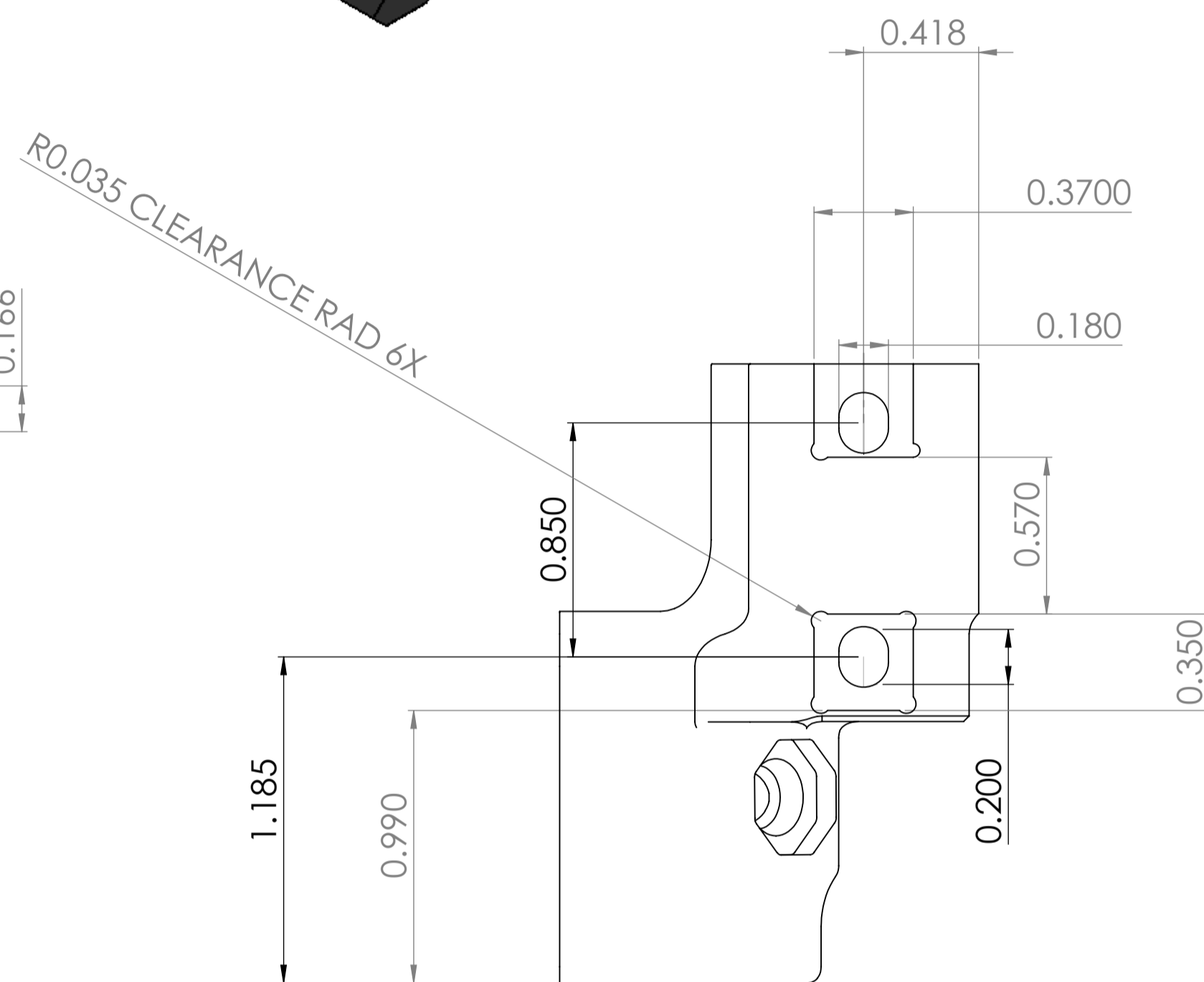
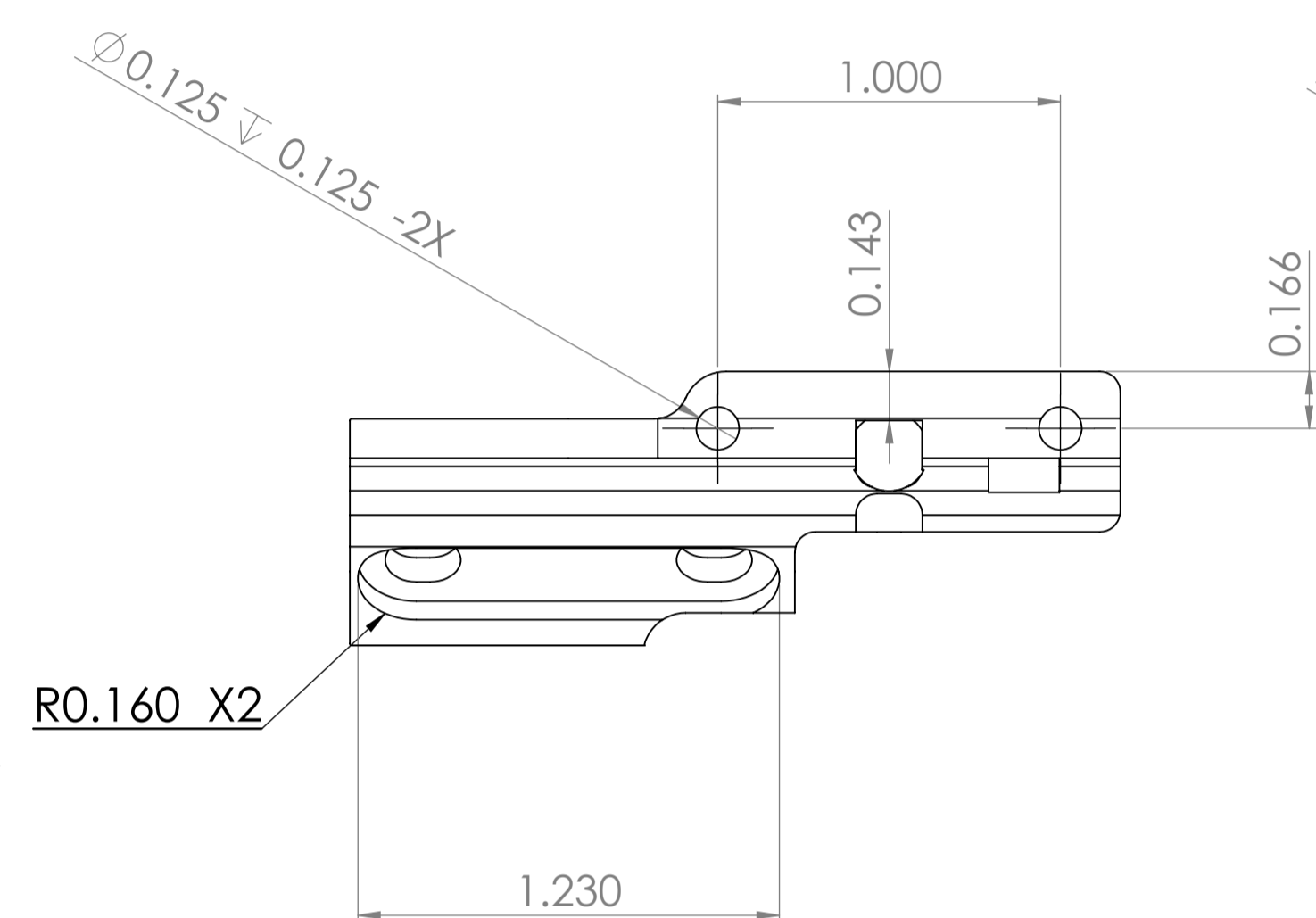
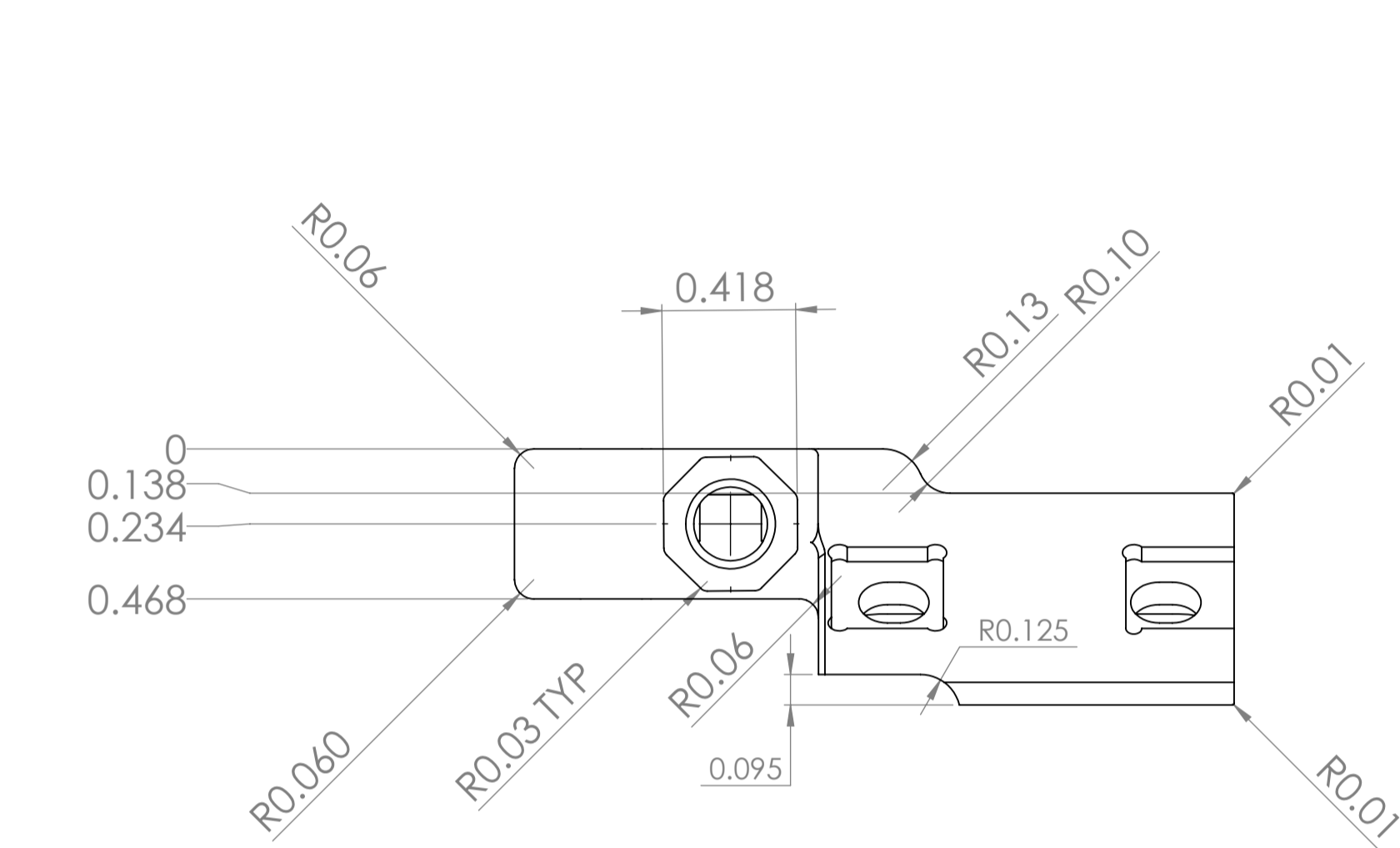
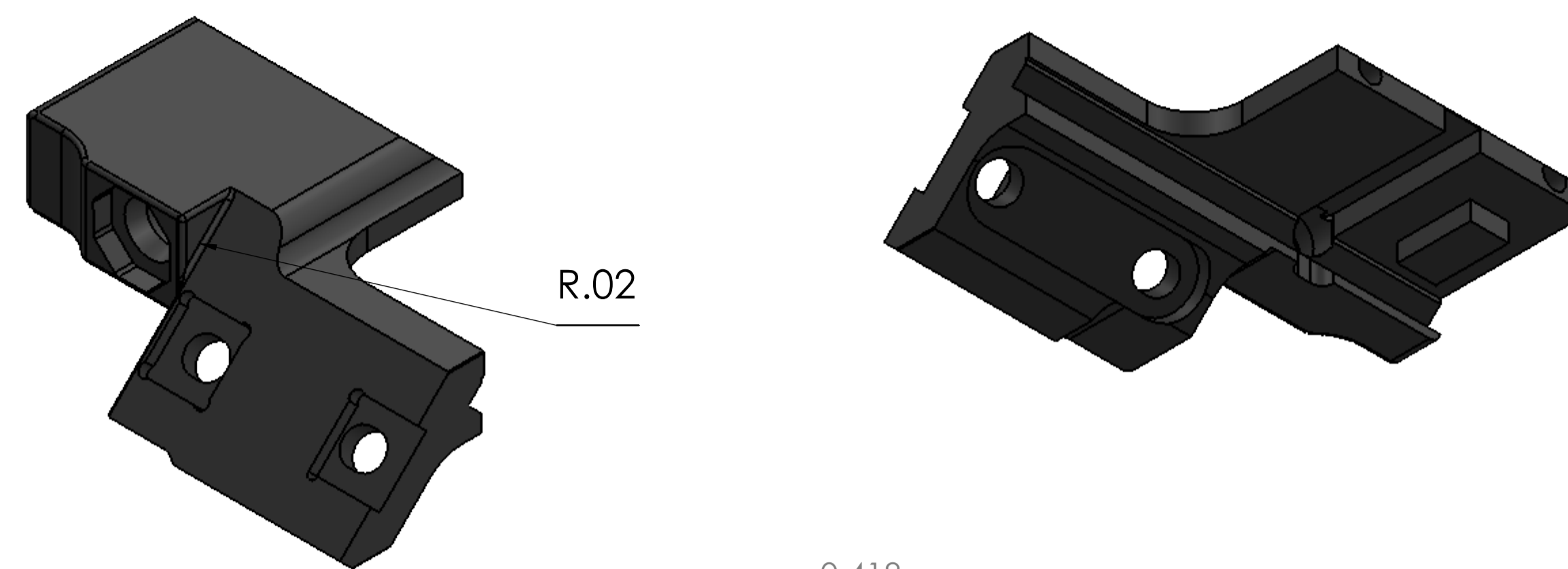


-BREAK ALL SHARP EDGES .010-.015
 -TOLERANCE DECIMAL $\pm .005$ $\pm .0010$
 -HARD COAT ANODIZE MIL-A-8625 TYPE III
 CLASS 2 MATT BLACK .002 SURFACE
 -ALL TOLERANCE APPLY AFTER ANODIZE
 -MATERIAL ALU7075
 -2016-09-09 REV 02 (300-C8)



DETAIL A
SCALE 4 : 1

UNLESS OTHERWISE SPECIFIED: DIMENSIONS ARE IN MILLIMETERS SURFACE FINISH: TOLERANCES: LINEAR: ANGULAR:		FINISH: CLEAN	DEBUR AND BREAK SHARP EDGES	DO NOT SCALE DRAWING	REVISION
DRAWN	NAME	SIGNATURE	DATE	TITLE: RCMP-GRC	
CHK'D				MATERIAL: ALU7075	
APP'VD				DWG NO.: LIGHT MOUNT C8	
MFG				SCALE: 2:1	
Q.A.				SHEET 1 OF 1	