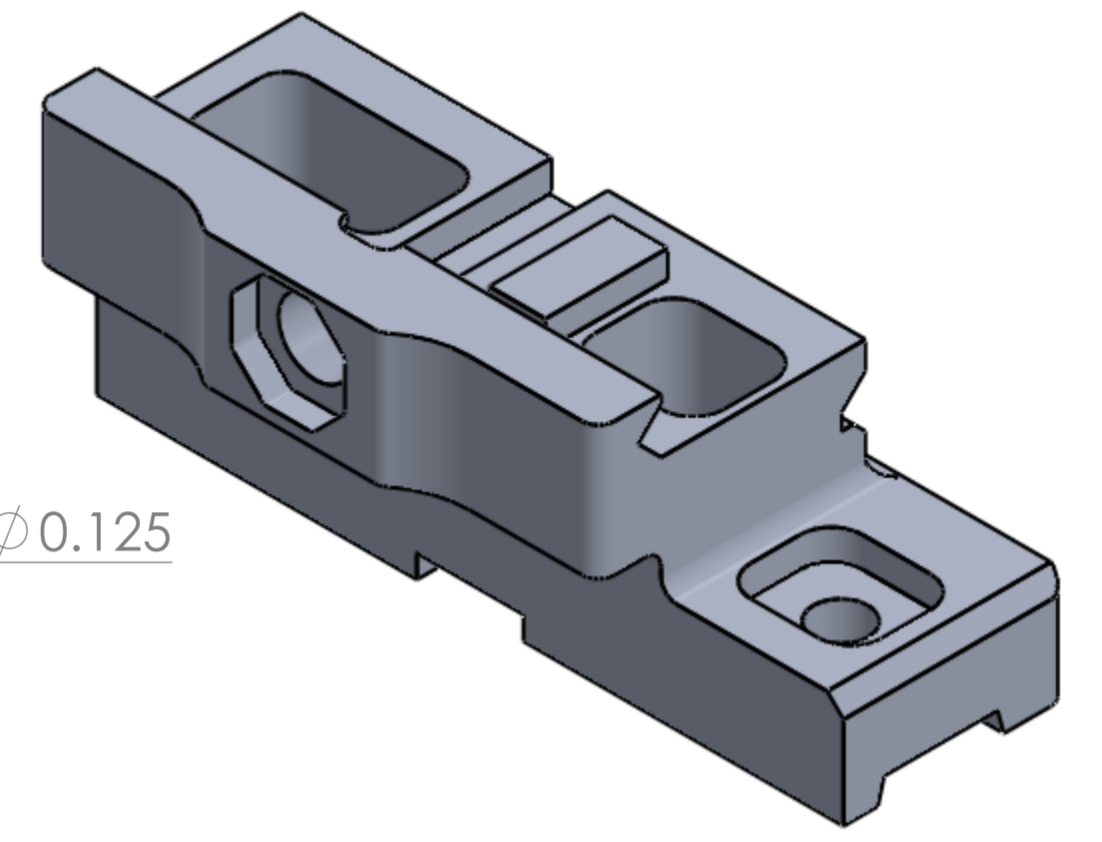
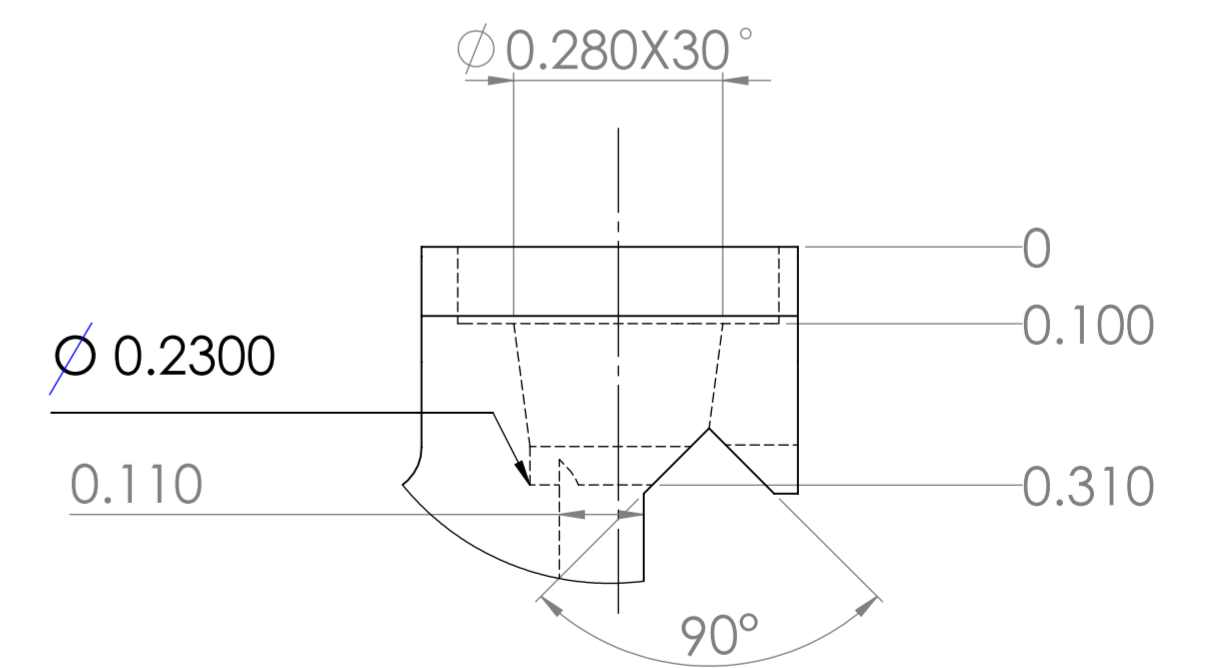
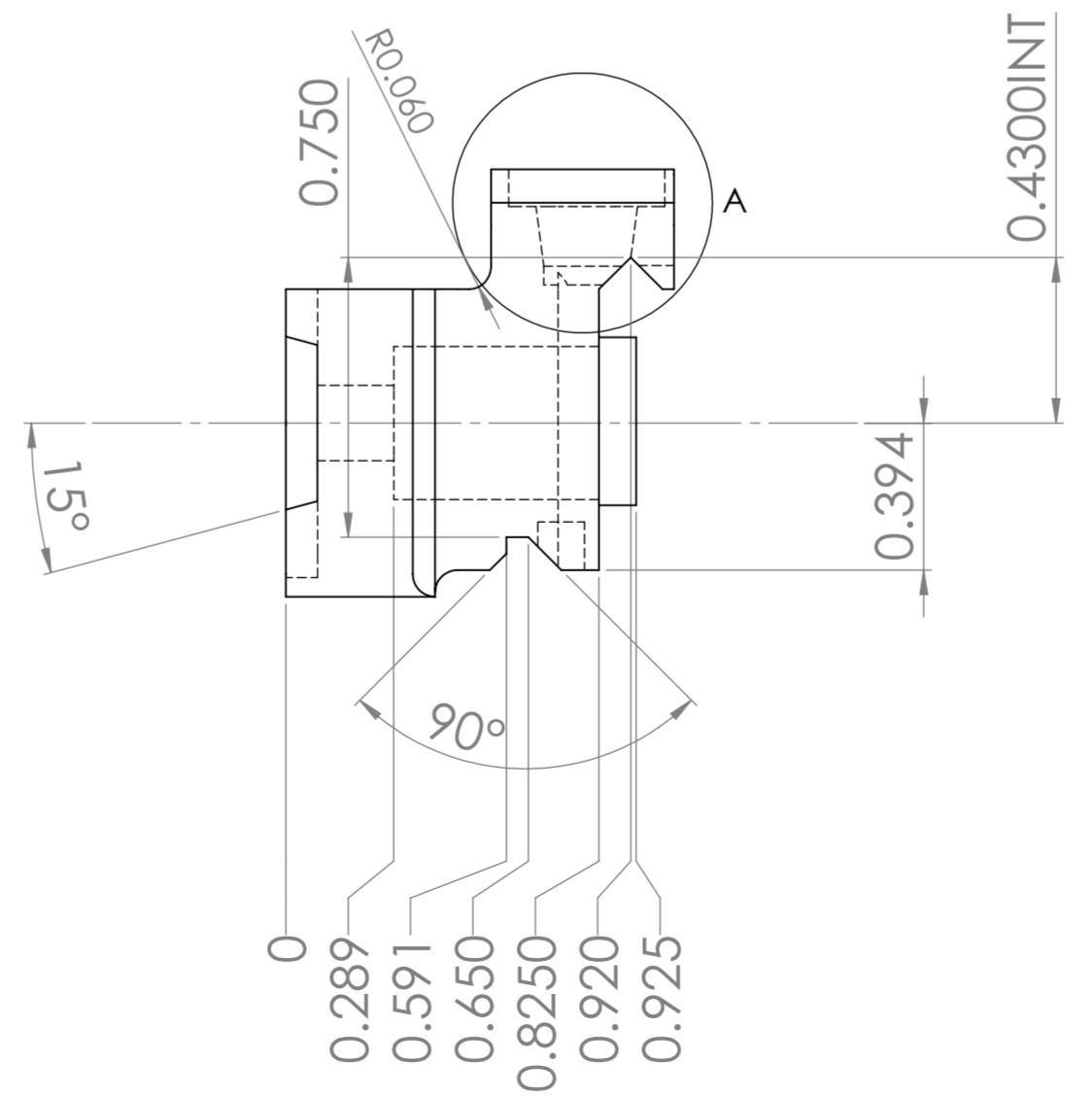
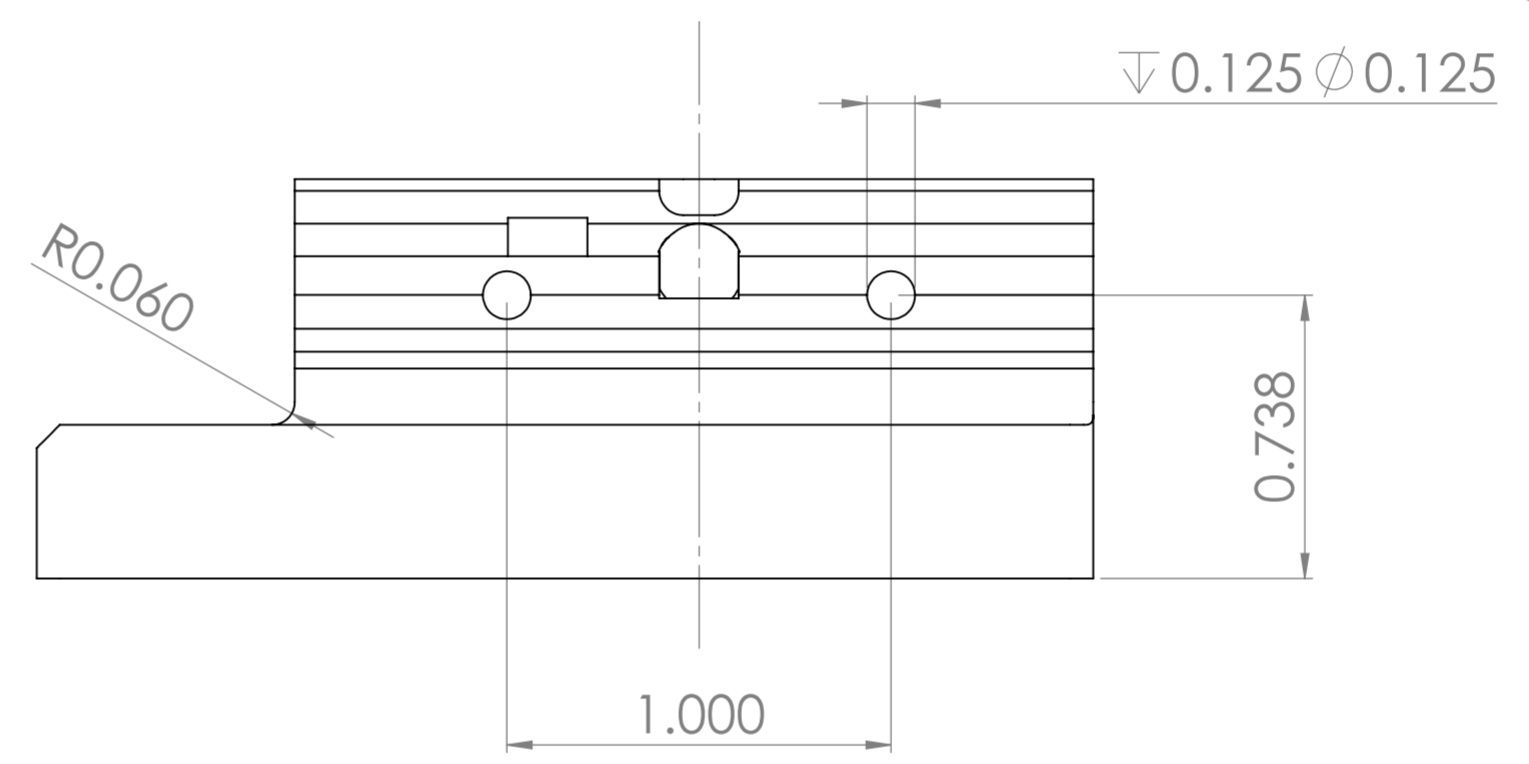
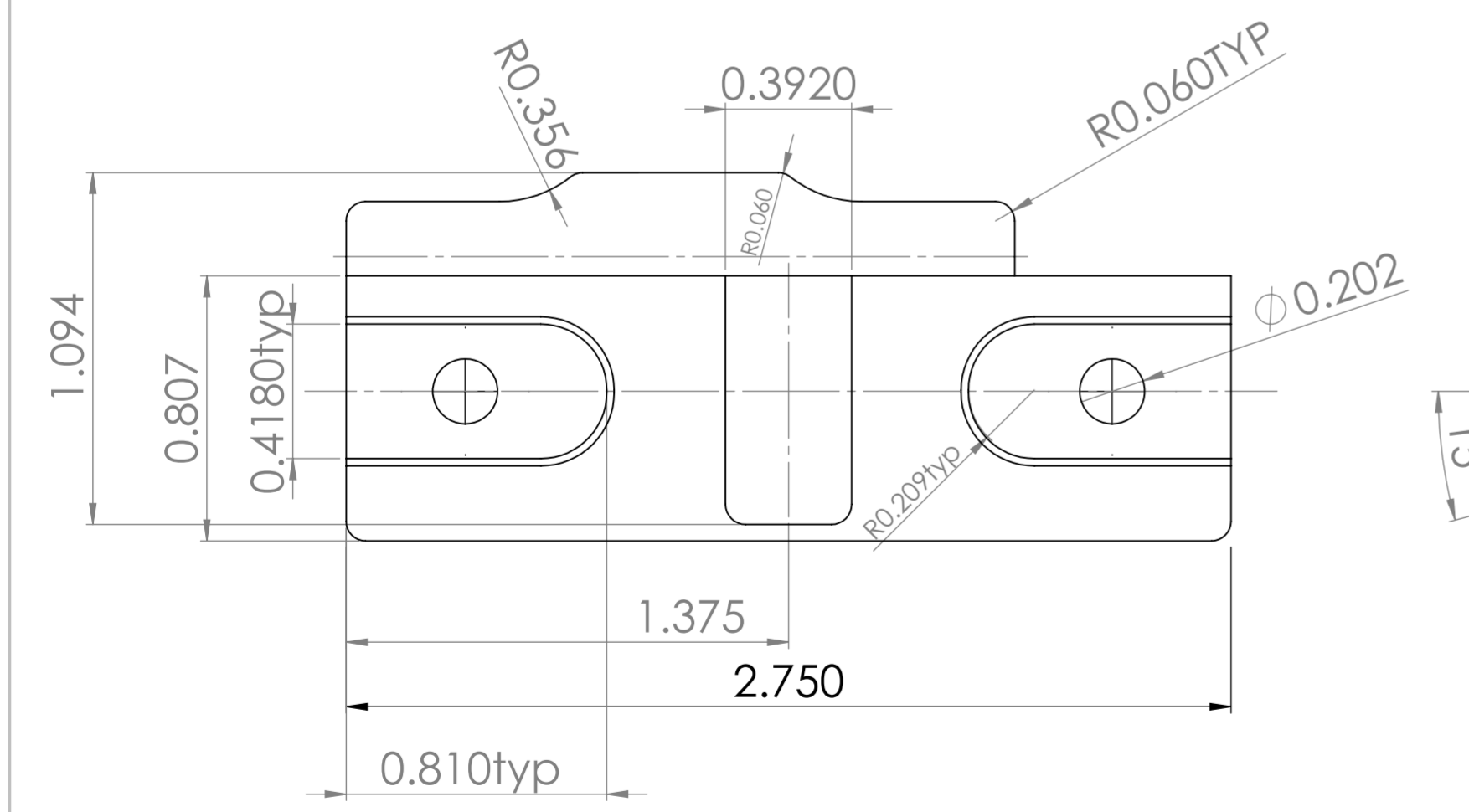
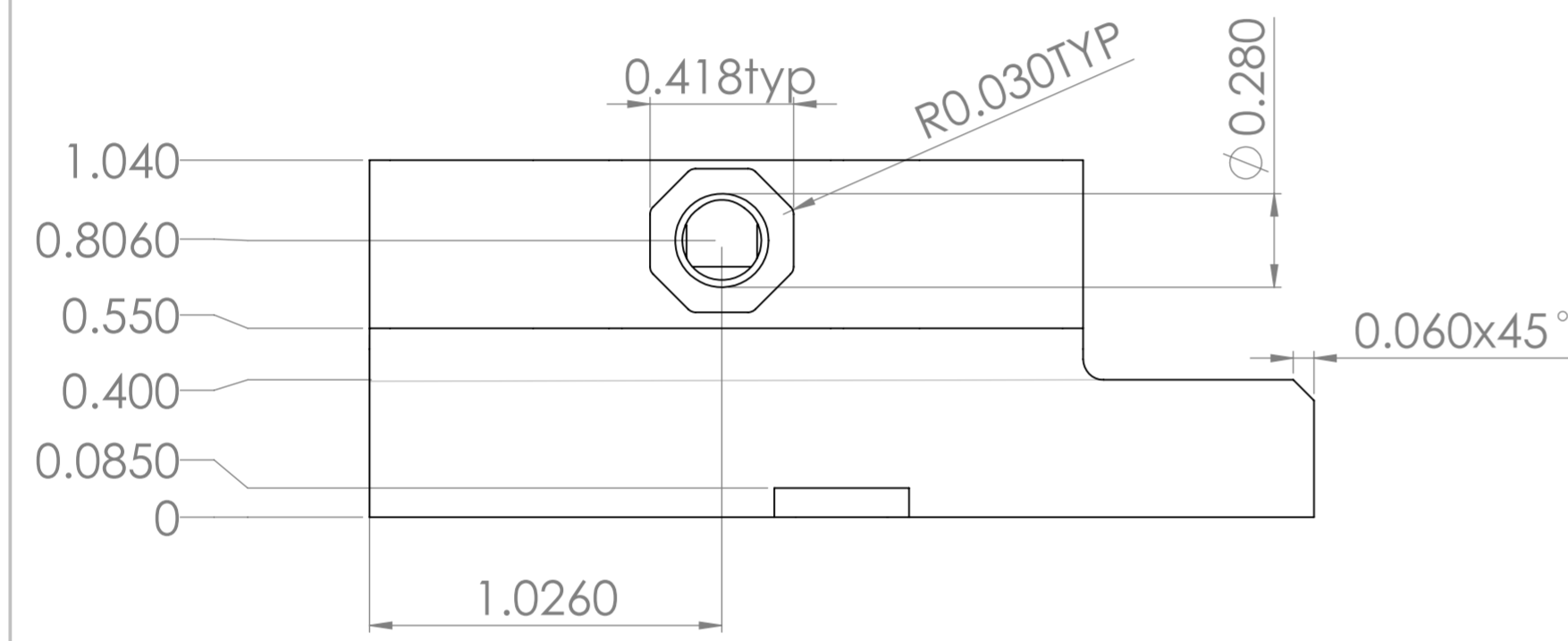
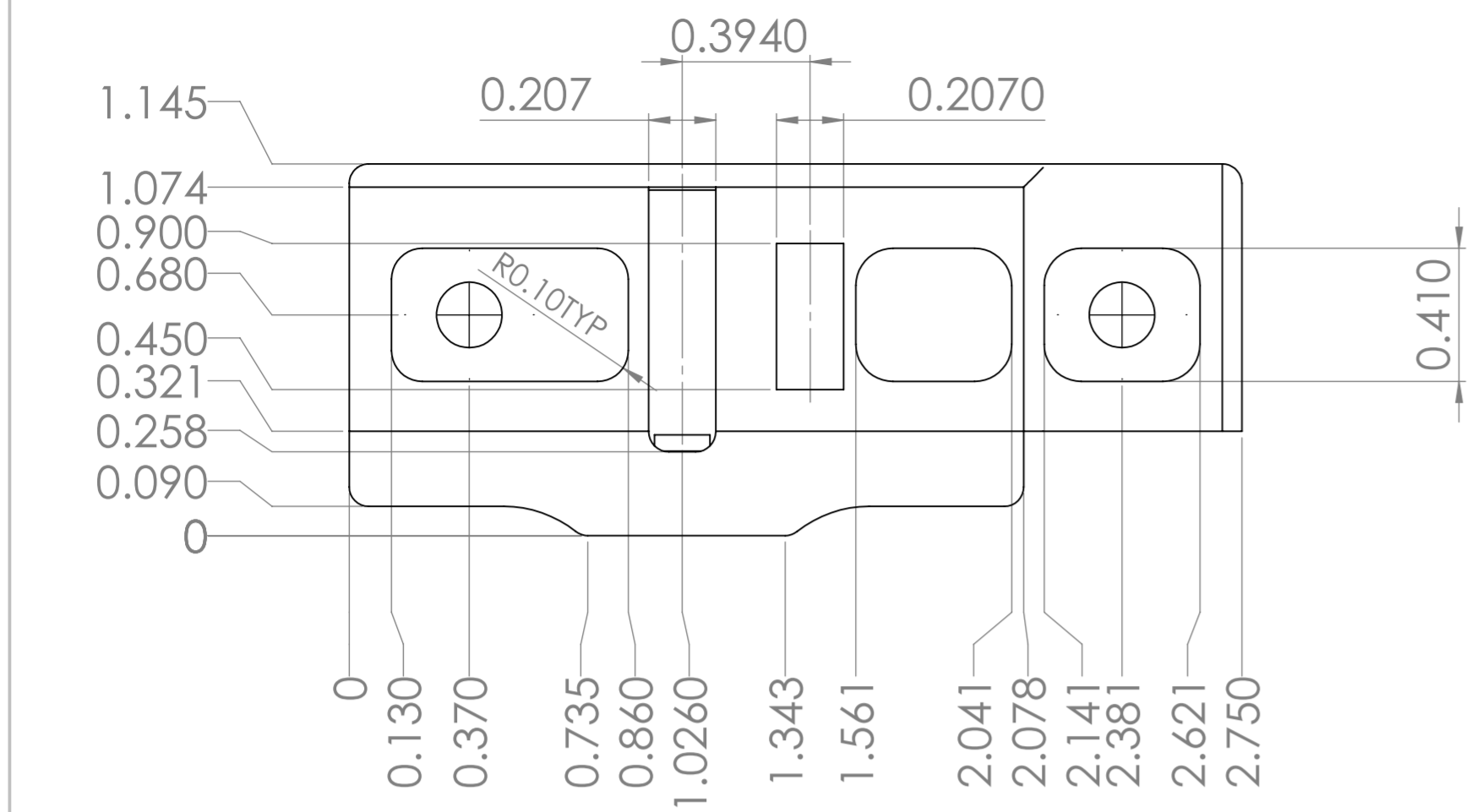


-BREAK ALL SHARP EDGES .010-.015
 -TOLERANCE DECIMAL $\pm .005$ $\pm .0010$
 -HARD COAT ANODIZE MIL-A-8625 TYPE III
 CLASS 2 ,MATT BLACK .002 SURFACE
 -ALL TOLERANCE APPLY AFTER ANODIZE
 -Rev 2 2013-10-10



UNLESS OTHERWISE SPECIFIED: DIMENSIONS ARE IN MILLIMETERS SURFACE FINISH: TOLERANCES: LINEAR: ANGULAR:				FINISH: CLEAN	DEBUR AND BREAK SHARP EDGES	DO NOT SCALE DRAWING	REVISION
DRAWN: LADOUCEUR				SIGNATURE:	DATE: 2013-10-10	TITLE: RCMP-GRC C8ADAPTER REV 2 2013-10	
CHK'D:	AP'VD:	MFG:	Q.A:	MATERIAL: 7075-T6	WEIGHT: 0.138	DRAWING NO: C8 ADAPTER3 rev 2A2	
SCALE: 2:1						SHEET 1 OF 1	