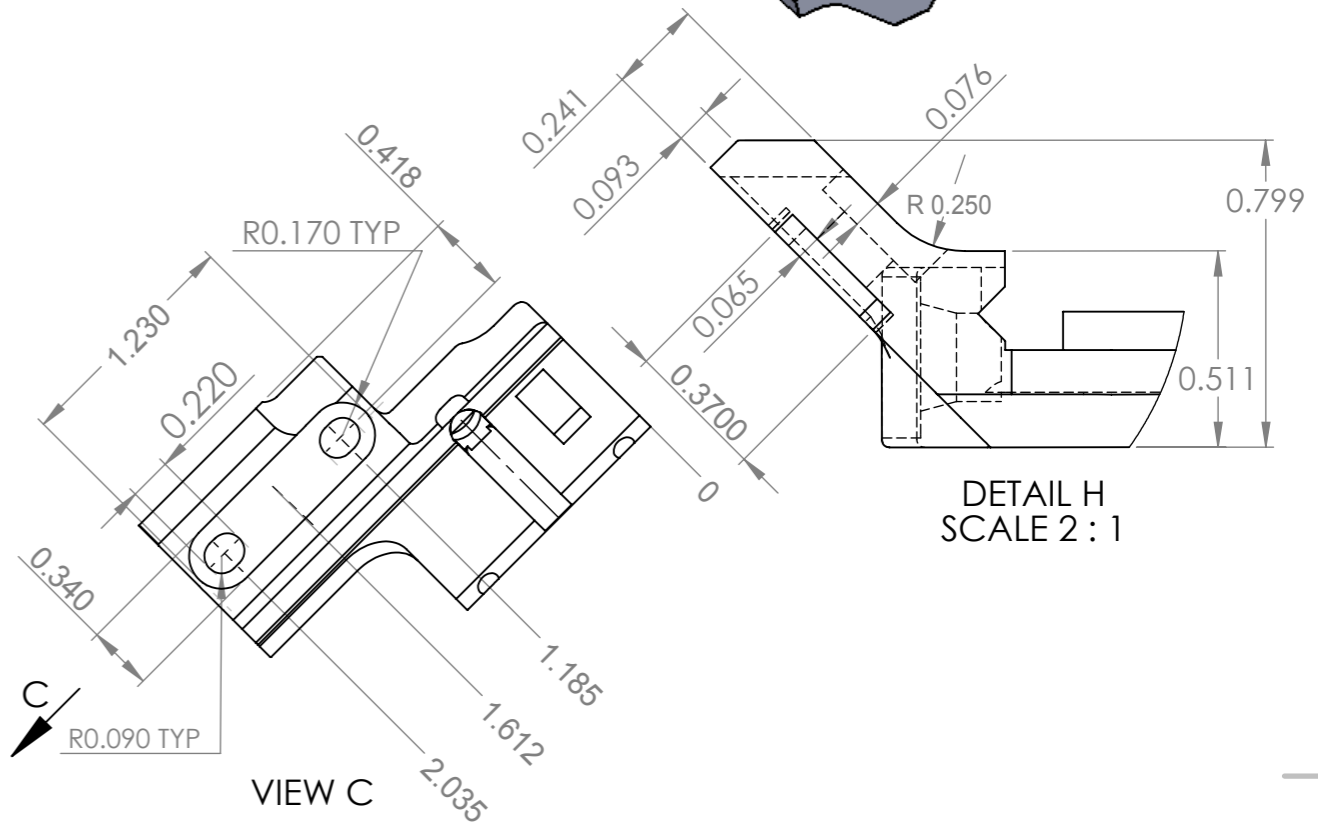
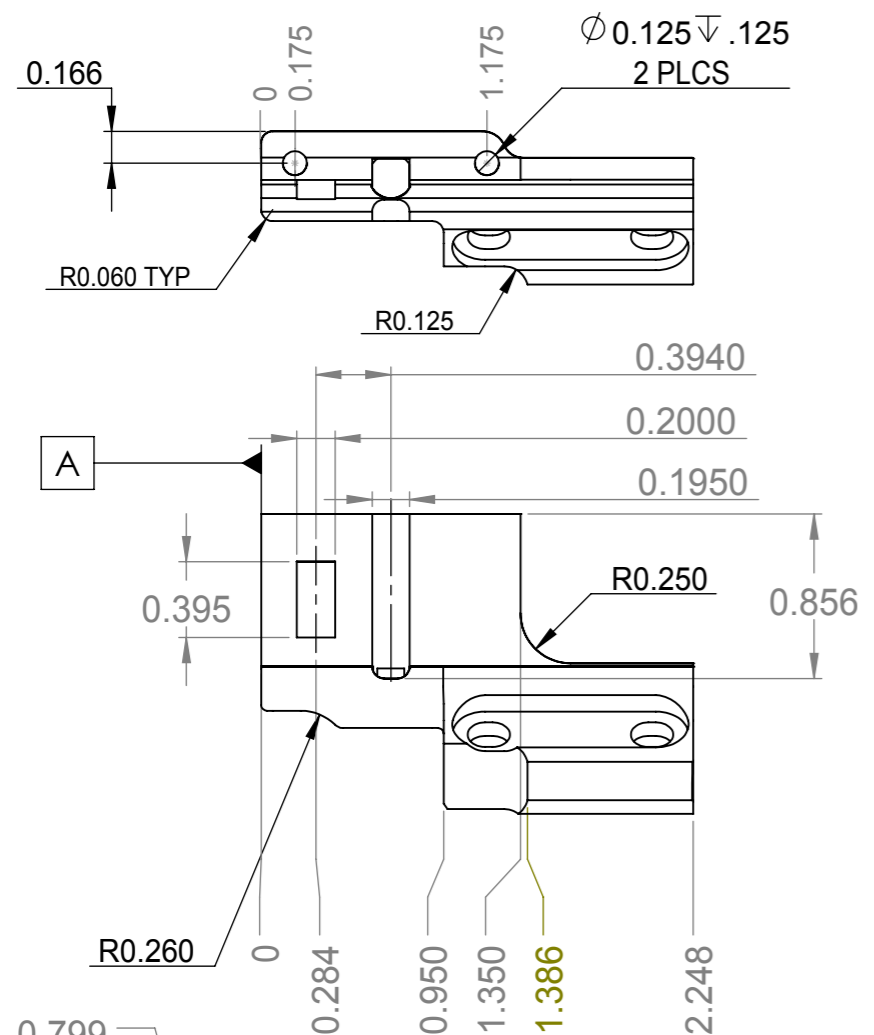
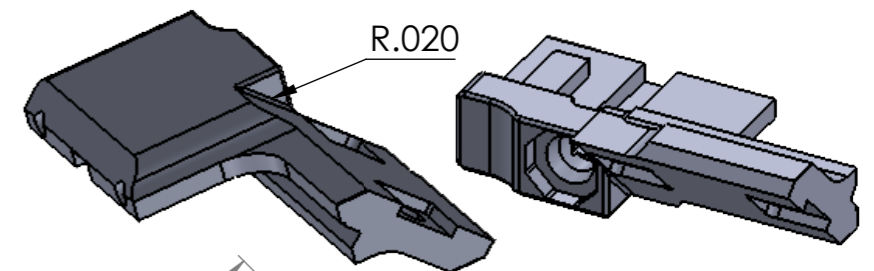
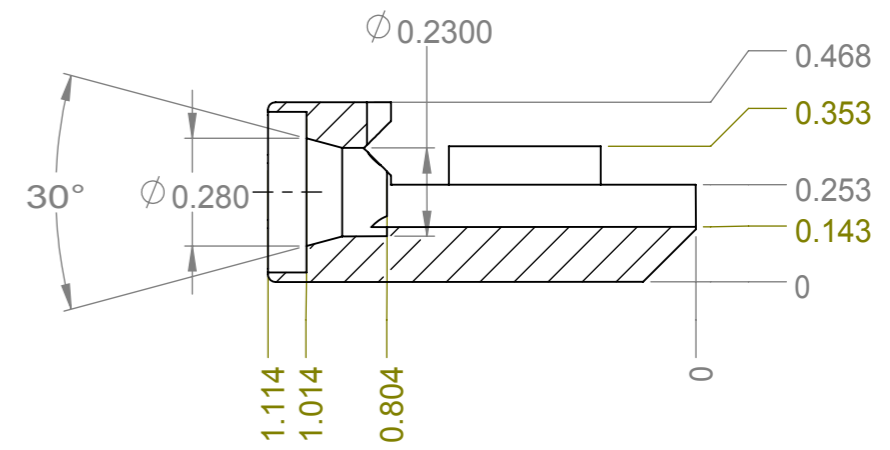
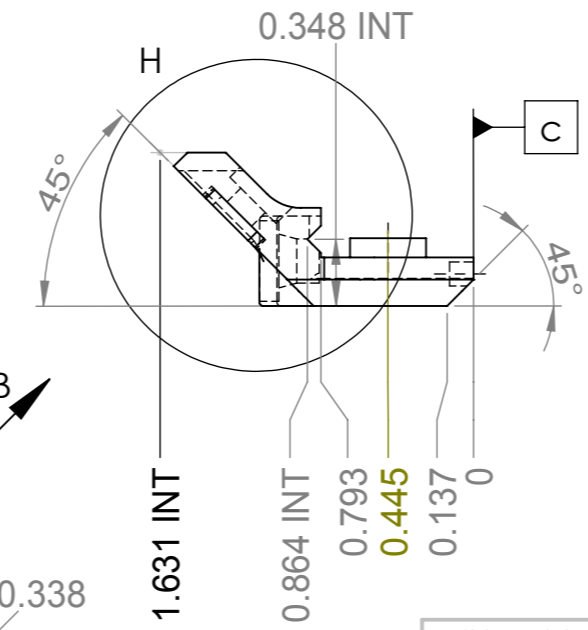
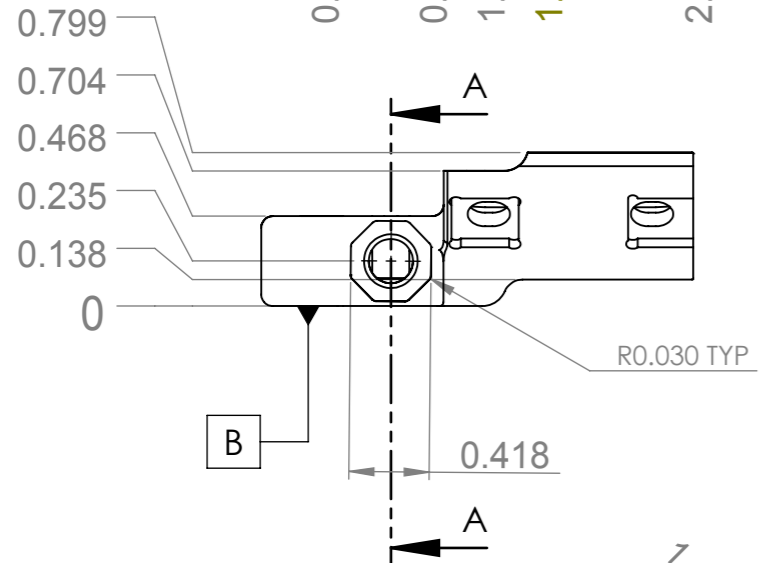


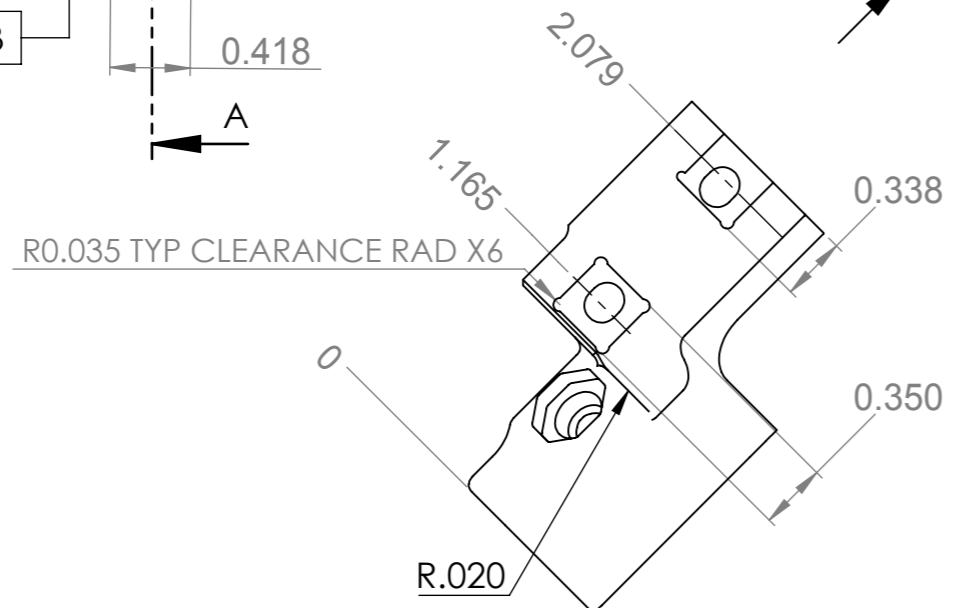
-BREAK ALL SHARP EDGES .010-.015
 -TOLERANCE DECIMAL +/-0.005 +/-0.0010
 -MATERIAL ALU 7075-T6
 -REV 03 2016-09-09 (300)



DETAIL H
SCALE 2 : 1



SECTION A-A
SCALE 2 : 1



UNLESS OTHERWISE SPECIFIED: DIMENSIONS ARE IN MILLIMETERS SURFACE FINISH: TOLERANCES: LINEAR: ANGULAR:				FINISH: CLEAN		DEBURR AND BREAK SHARP EDGES		DO NOT SCALE DRAWING		REVISION	
								RCMP-GRC			
								TITLE: LIGHT MOUNT LEFT (300)			
DRAWN						MATERIAL: 7075-T6		DWG NO.		A3	
CHK'D						WEIGHT:		SCALE:1:1		SHEET 1 OF 1	
APPV'D								SOLIDWORKS2016			
MFG											
Q.A											