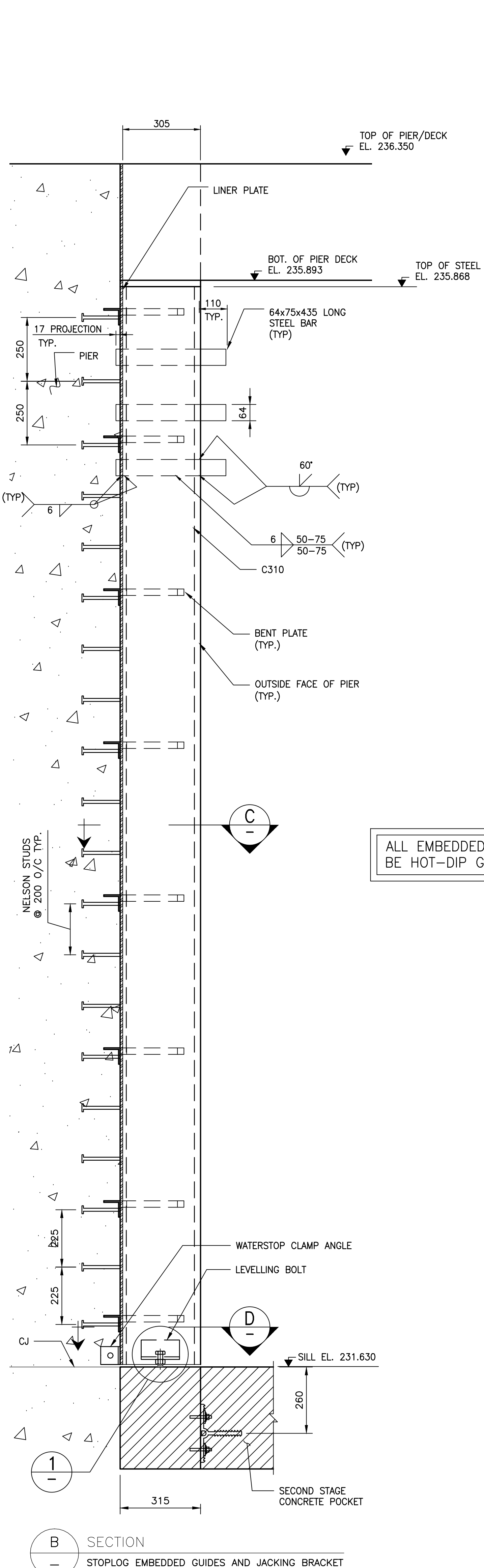
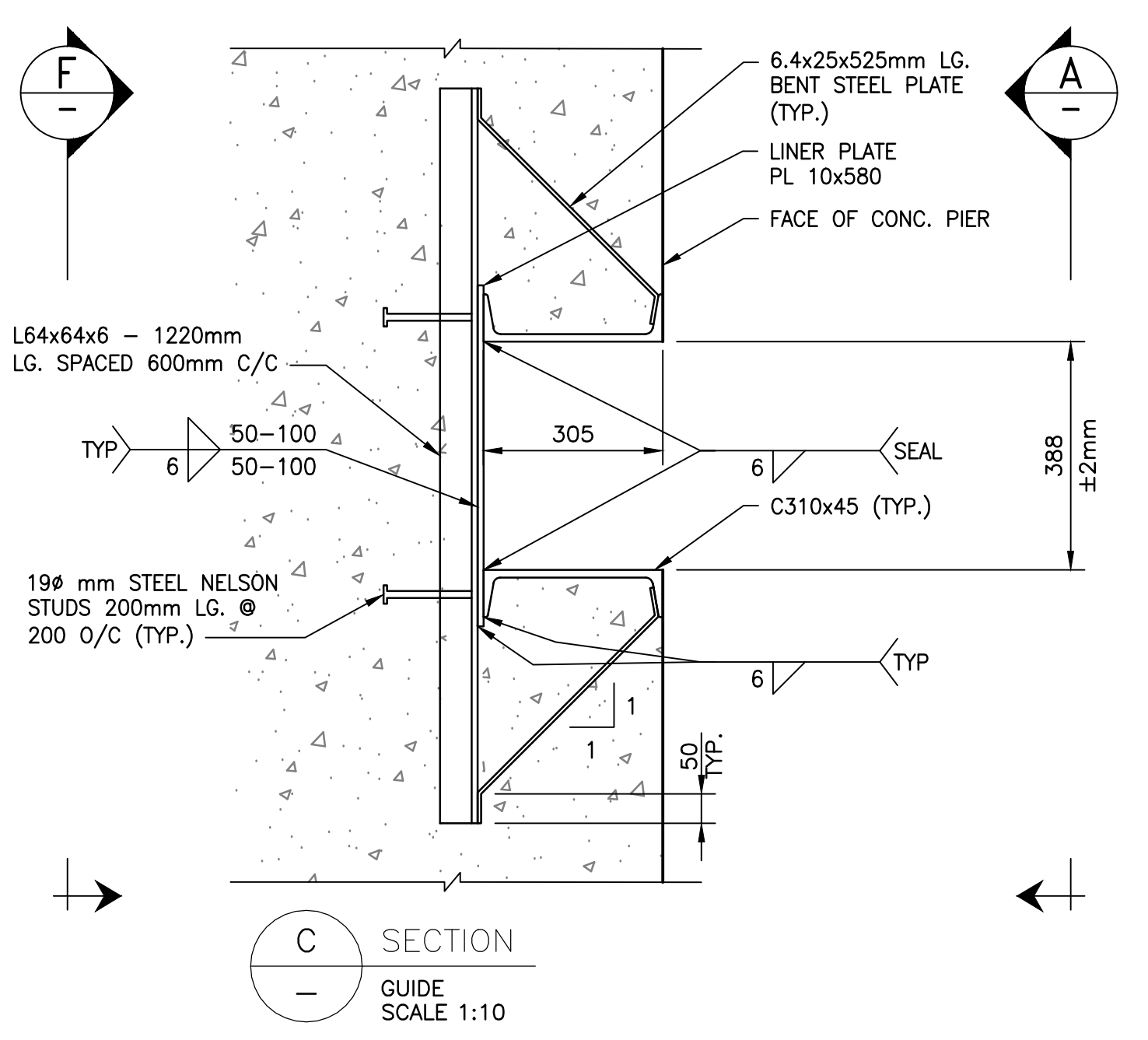


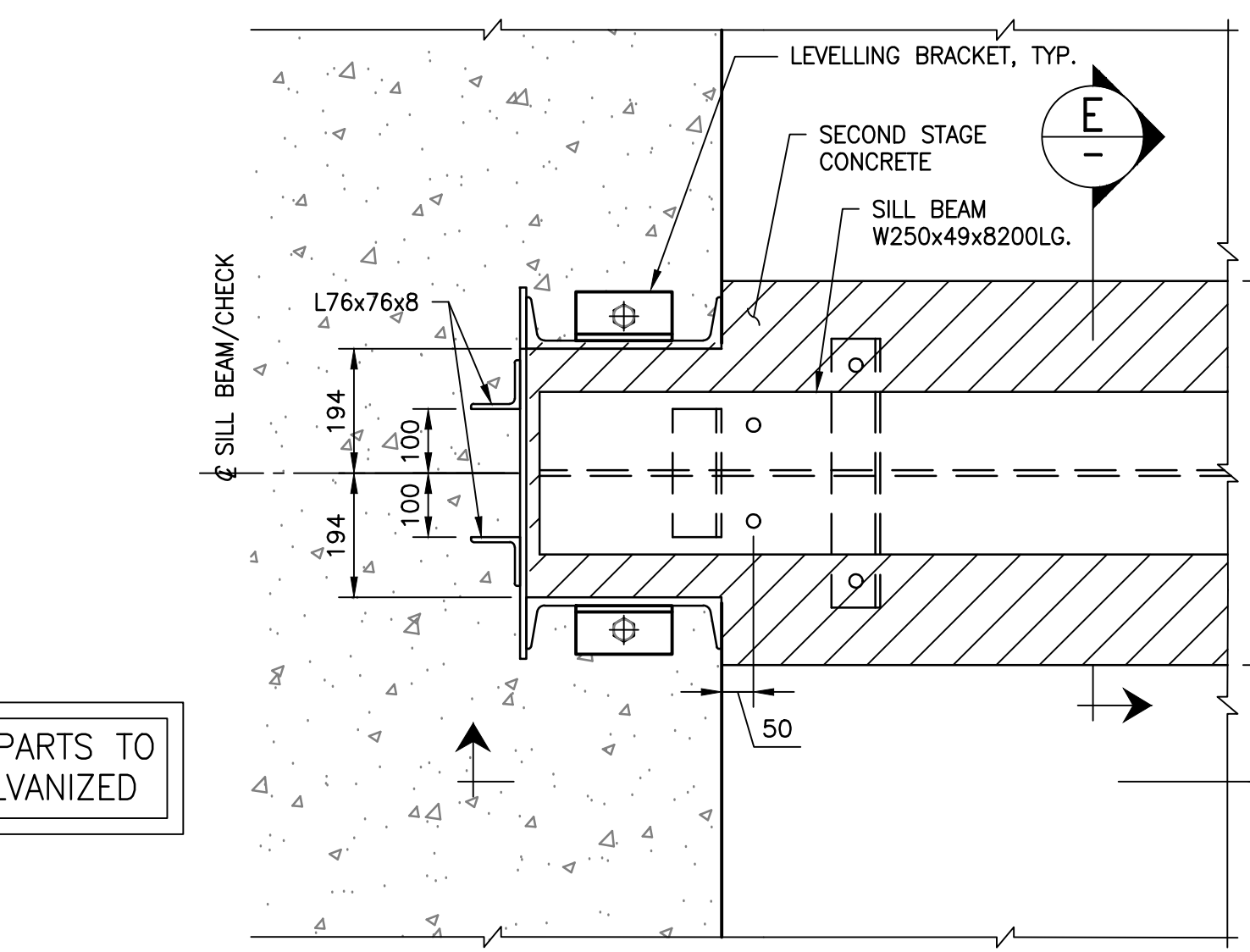
A ELEVATION
STOPLOG EMBEDDED GUIDES AND JACKING BRACKET
SCALE 1:10



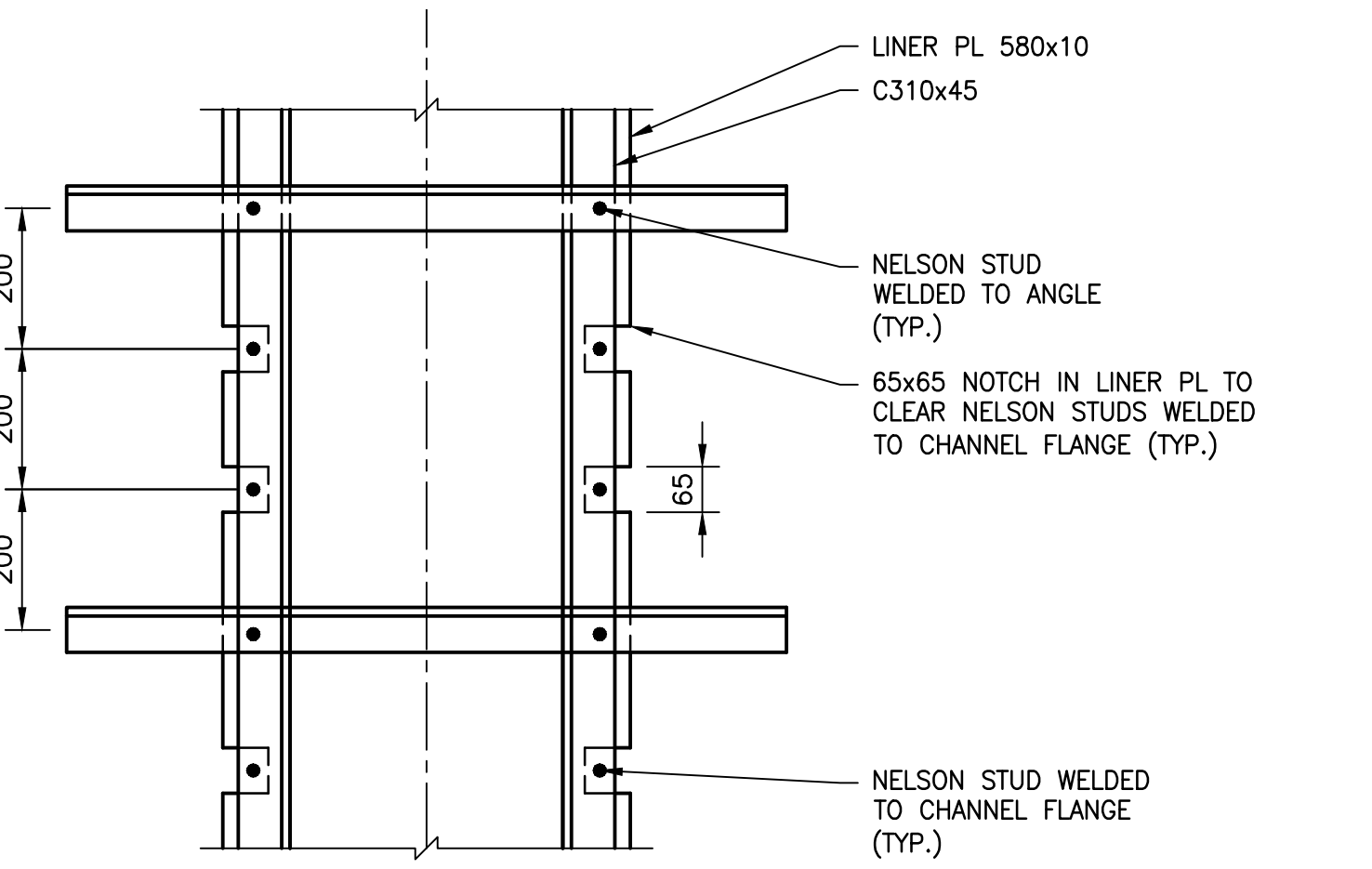
B SECTION
STOPLOG EMBEDDED GUIDES AND JACKING BRACKET
SCALE 1:10



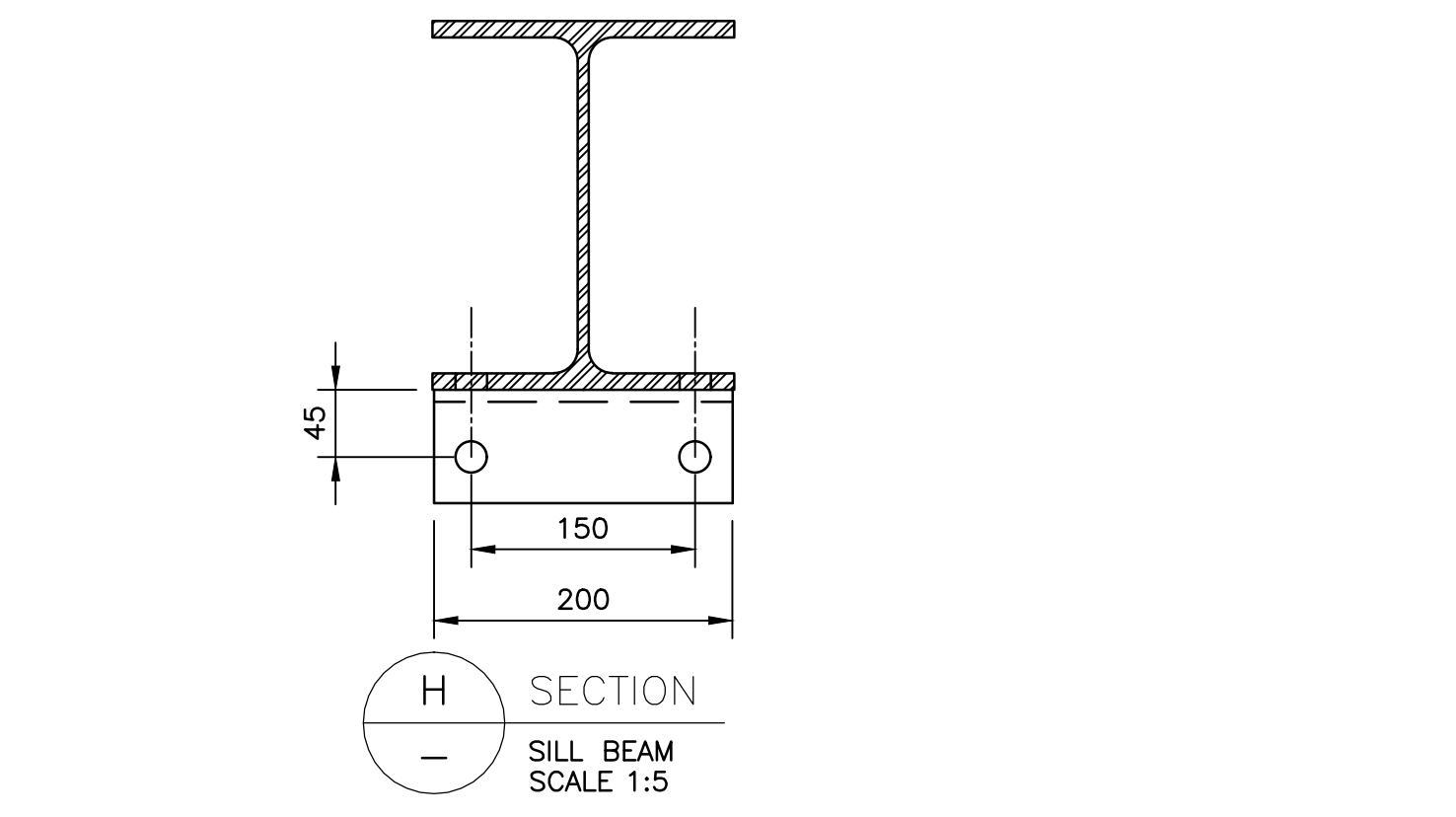
C SECTION
GUIDE
SCALE 1:10



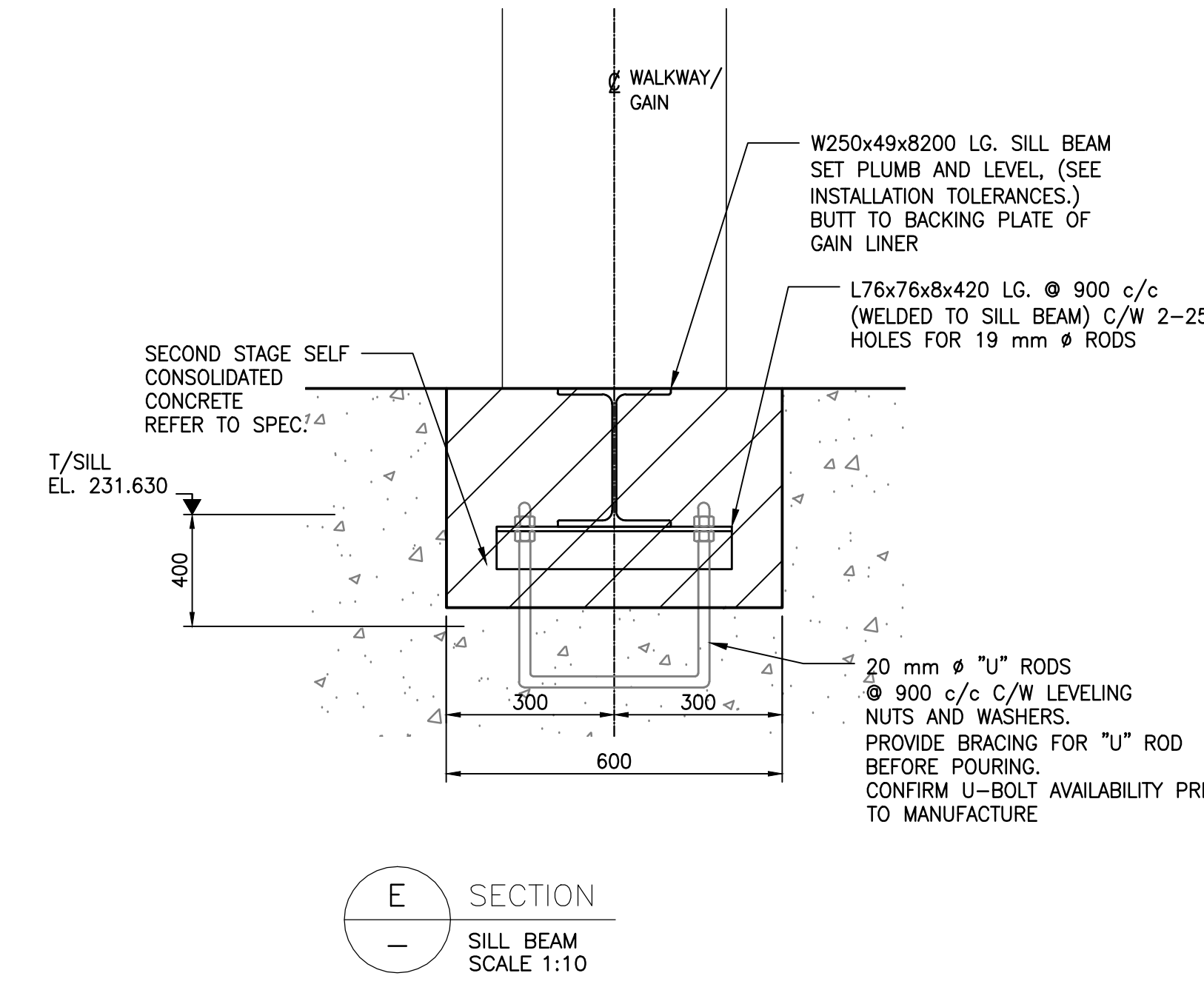
D SECTION
GUIDE AT SILL
SCALE 1:10



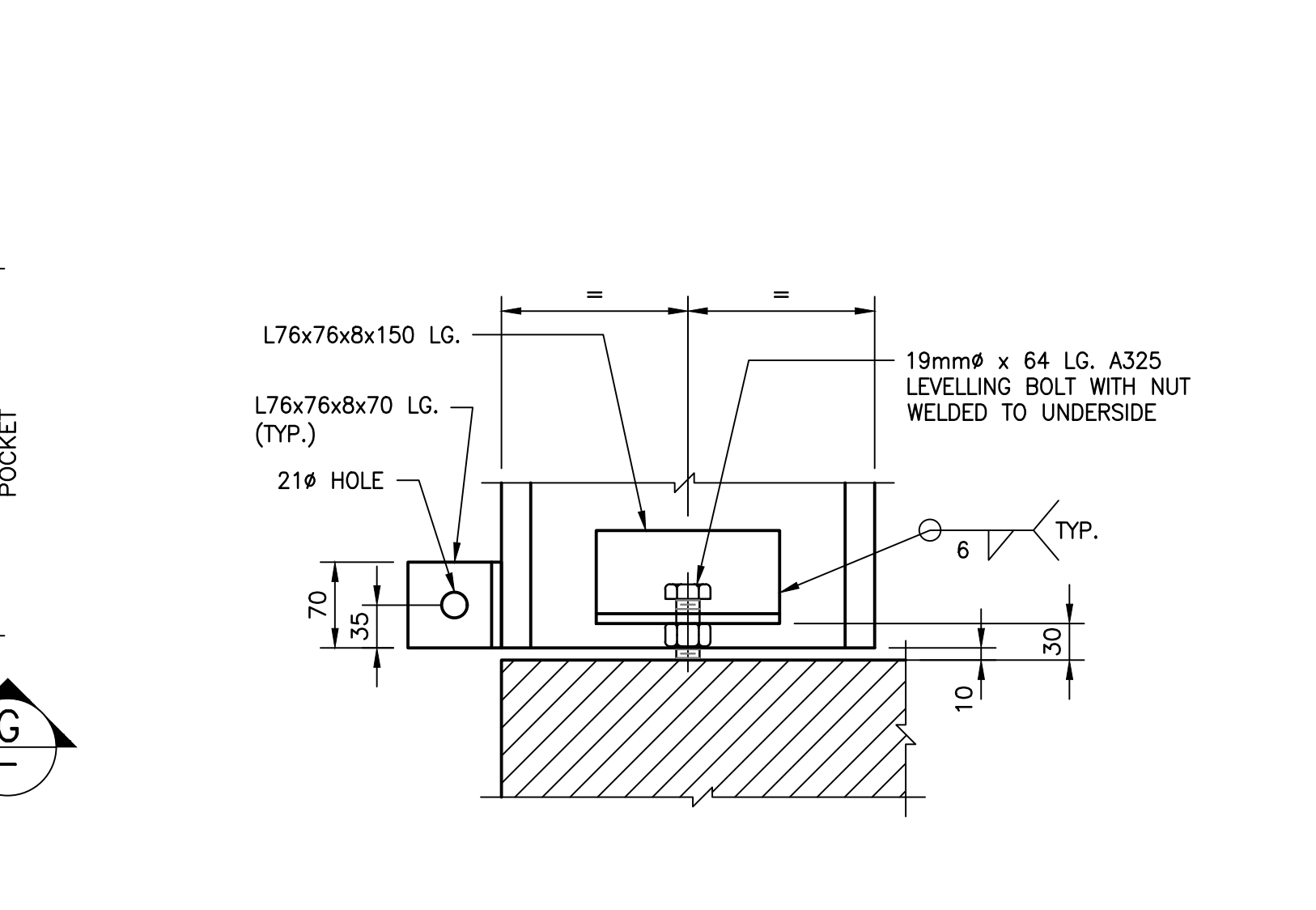
F SECTION
NELSON STUD WELDING
SCALE 1:10



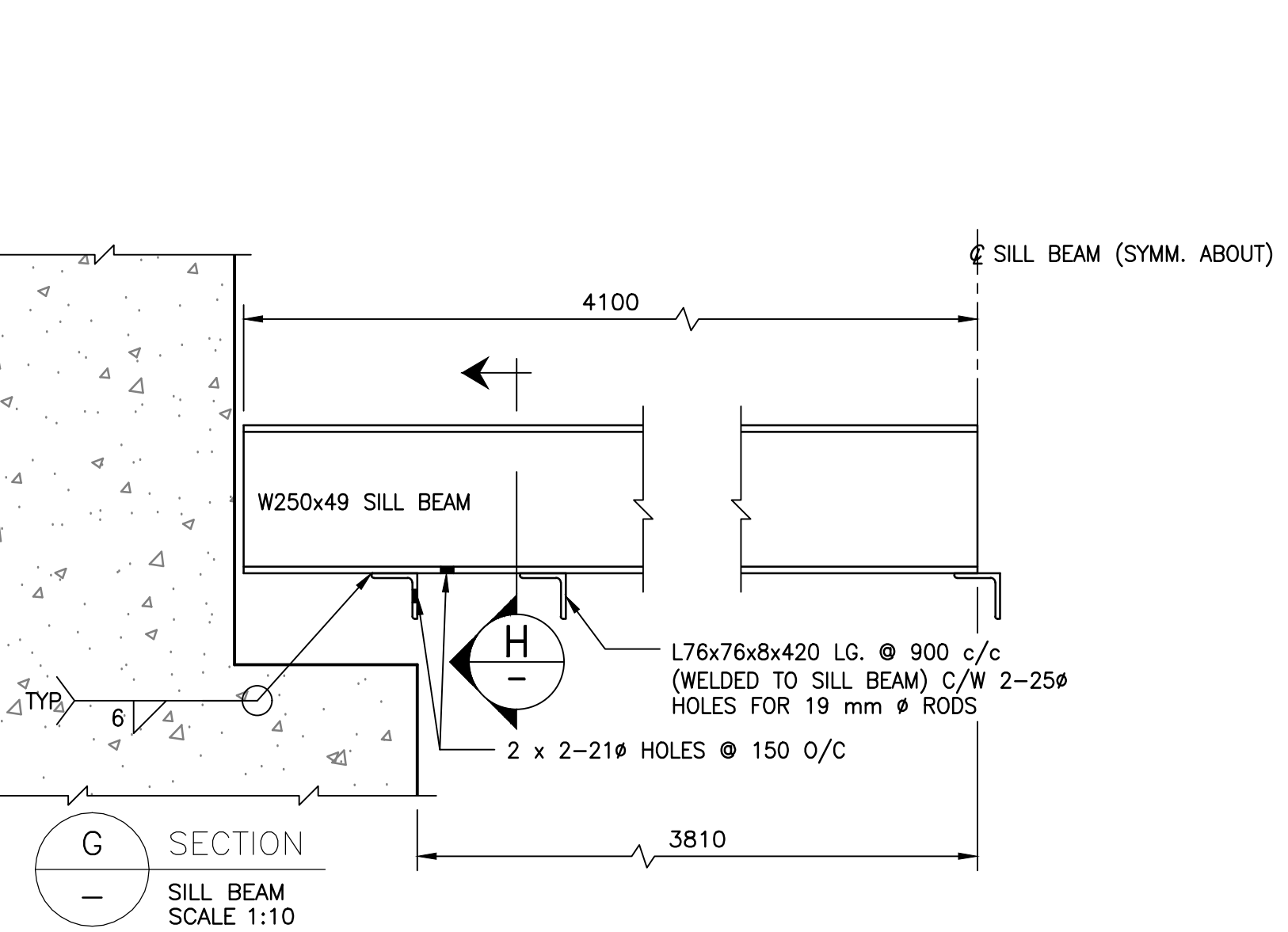
H SECTION
SILL BEAM
SCALE 1:5



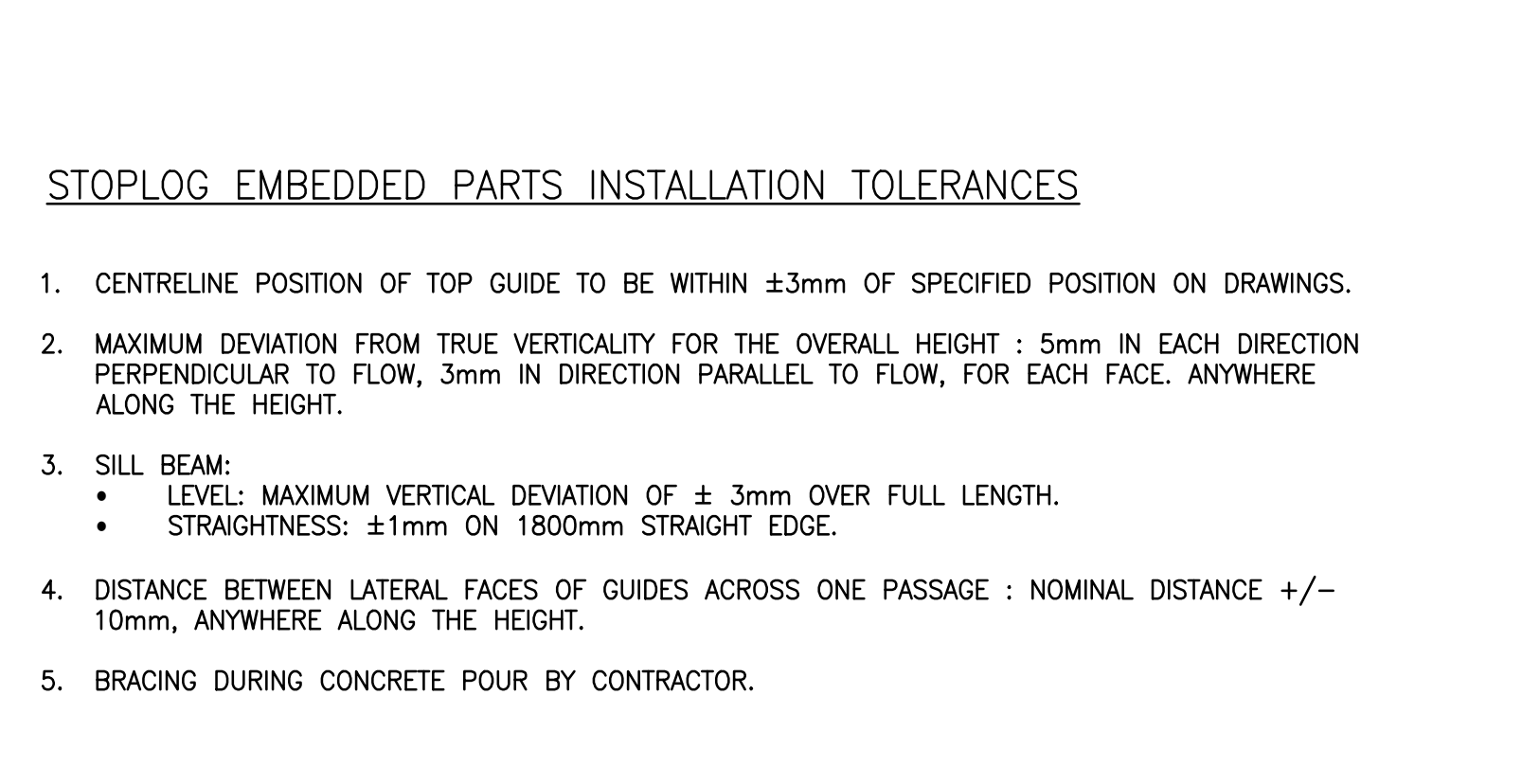
E SECTION
SILL BEAM
SCALE 1:10



1 DETAIL
LEVELLING BRACKET
SCALE 1:5



G SECTION
SILL BEAM
SCALE 1:10



STOPLOG EMBEDDED PARTS INSTALLATION TOLERANCES

- CENTRELINE POSITION OF TOP GUIDE TO BE WITHIN ±3mm OF SPECIFIED POSITION ON DRAWINGS.
- MAXIMUM DEVIATION FROM TRUE VERTICALITY FOR THE OVERALL HEIGHT : 5mm IN EACH DIRECTION PERPENDICULAR TO FLOW, 3mm IN DIRECTION PARALLEL TO FLOW, FOR EACH FACE, ANYWHERE ALONG THE HEIGHT.
- SILL BEAM:
 - LEVEL: MAXIMUM VERTICAL DEVIATION OF ± 3mm OVER FULL LENGTH.
 - STRAIGHTNESS: ±1mm ON 1800mm STRAIGHT EDGE.
- DISTANCE BETWEEN LATERAL FACES OF GUIDES ACROSS ONE PASSAGE : NOMINAL DISTANCE +/- 10mm, ANYWHERE ALONG THE HEIGHT.
- BRACING DURING CONCRETE POUR BY CONTRACTOR.

- NOTES:**
- DIMENSIONS IN MILLIMETRES / ELEVATIONS IN METRES UNLESS NOTED OTHERWISE.
 - ALL EMBEDDED PARTS TO BE HOT-DIP GALVANIZED.

PRELIMINARY
NOT TO BE USED FOR CONSTRUCTION

No.	Description	Rev. By	Date
E	RE-ISSUED FOR TENDER	KJC	18/11/02
D	RE-ISSUED FOR TENDER	KJC	18/08/27
C	ISSUED FOR TENDER	PJZ	18/07/31
B	ISSUED FOR 89% REVIEW	PJZ	18/07/05
A	ISSUED FOR 66% REVIEW	KJC	18/05/09

Revision / Révision	Detail number / No. du détail
A	A Detail number / No. du détail
B	B Location dwg. no. / No. sur dessin

Project title / Titre du projet
TRENT-SEVERN WATERWAY DAM AT LOCK 38 REPLACEMENT

Drawing title / Titre du dessin
CONCRETE DAM EMBEDDED PARTS AND LOG JACKING BRACKET

Drawn by / Dessiné par KJC	Designed by / Conçu par WSM
Approved by / Approuvé par SB	Drawing Date / Date du dessin MAY 2018

Project manager / Administrateur de projet DAVE NESS	Contract No. / Numéro du contrat EQ754-162649
Drawing No. / Dessiné No. S011	Project No. / Numéro du projet R.076951.906