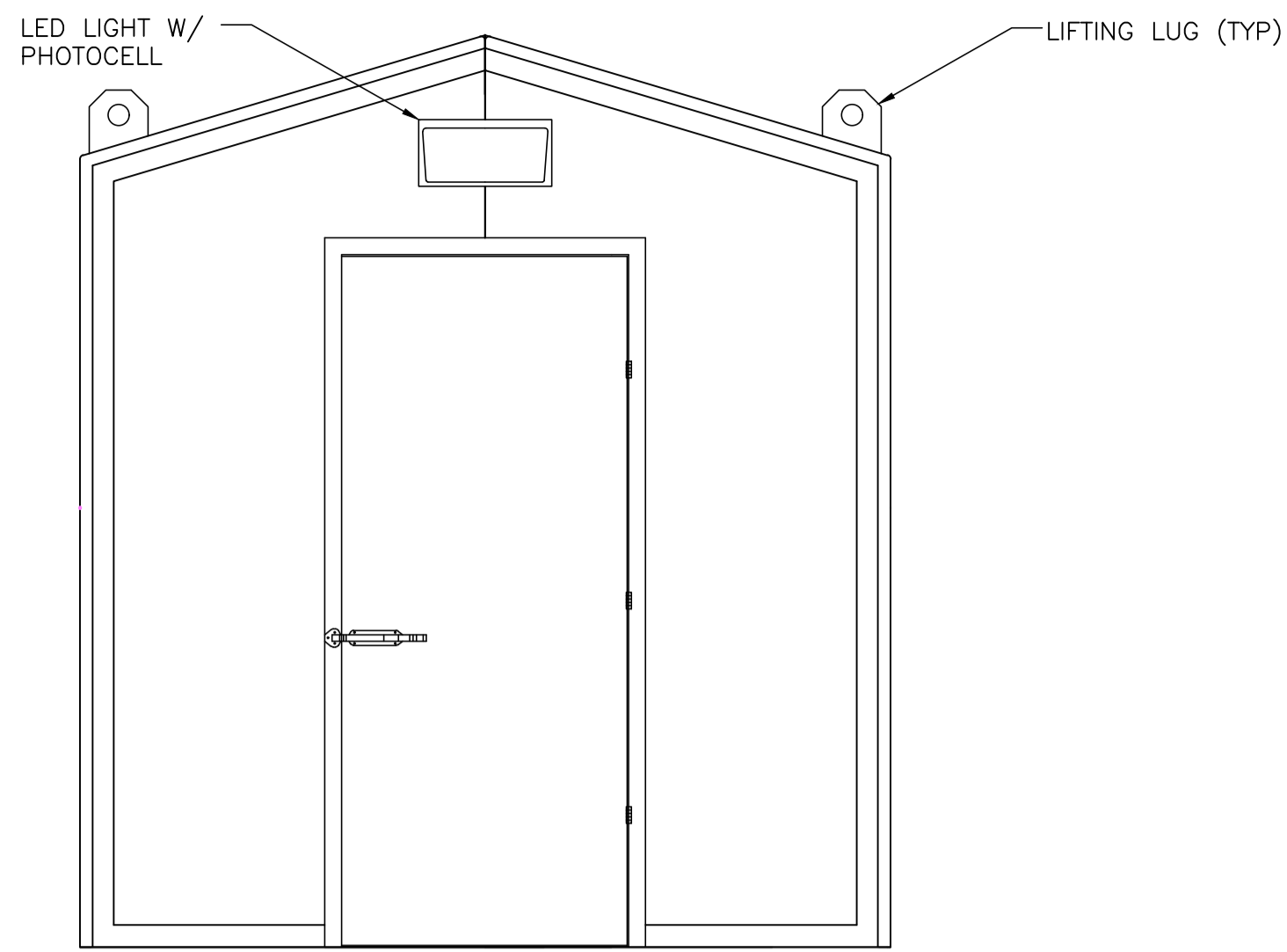
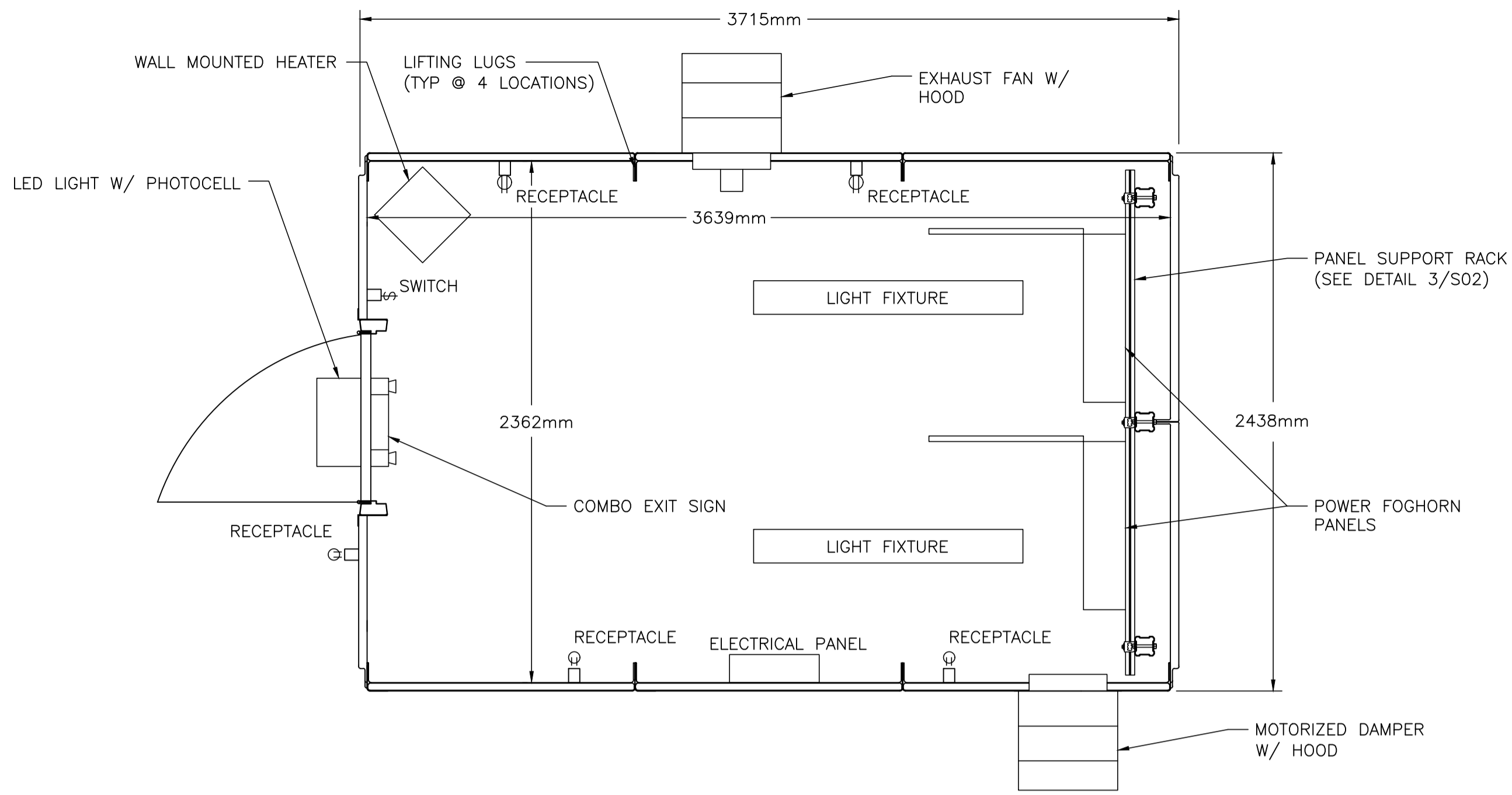
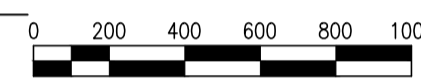


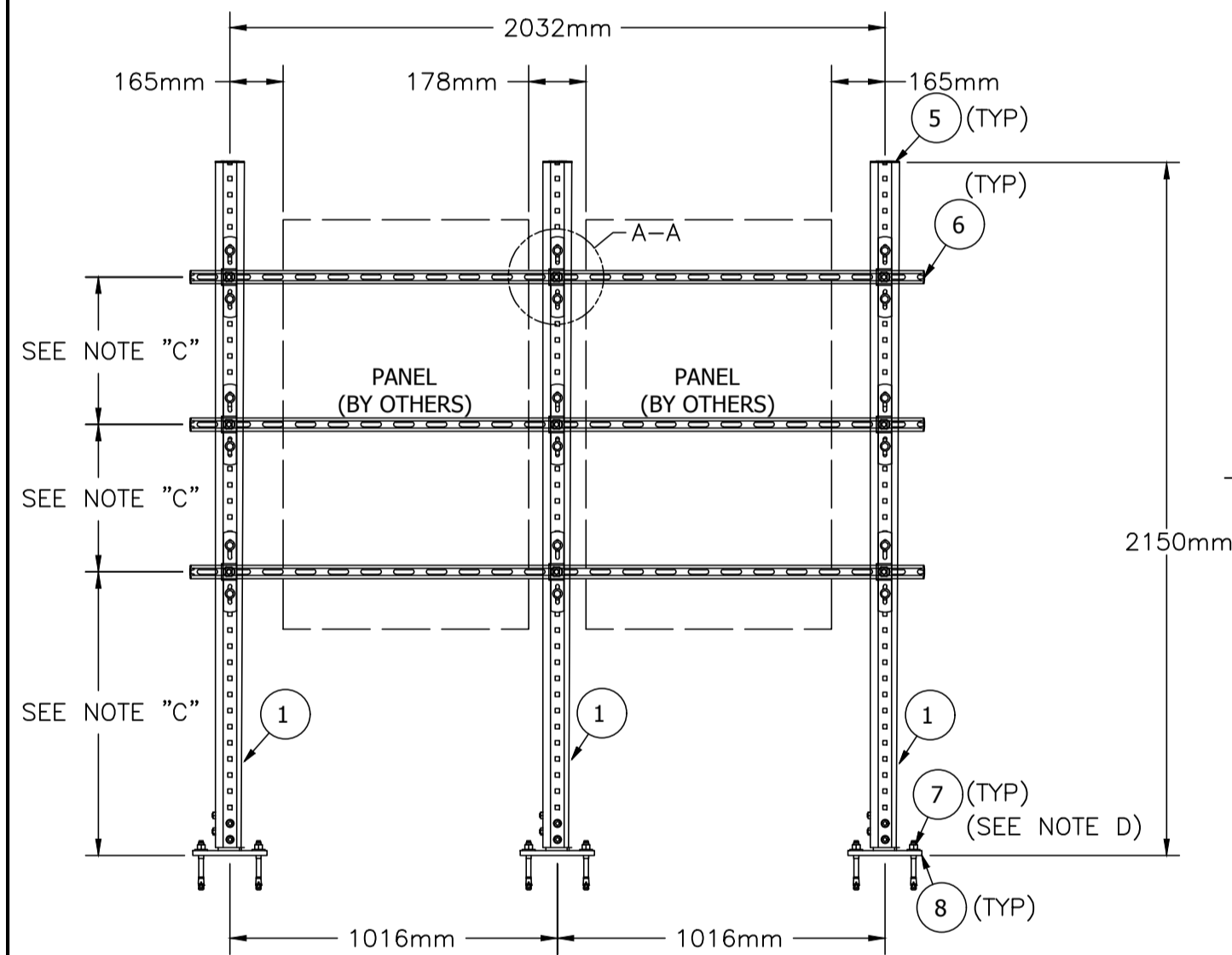
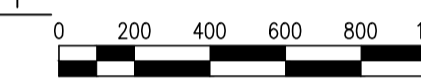
KEY LOCATION PLAN



1 S02 FIBERGLASS ENCLOSURE FRONT ELEVATION
1:20

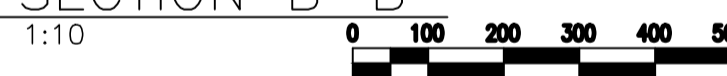
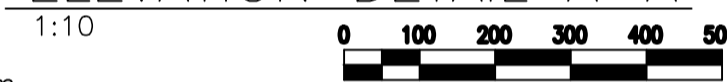


2 S02 FIBERGLASS ENCLOSURE AND ELECTRICAL LAYOUT
1:20



ELEVATION DETAIL A-A
1:10

SECTION B-B
1:10



Piece Mark	Item No.*	Description	Qty.*	Length (mm)	Length (in)
1	304798	GIRDER MI-90	3	2125	83.66
2	407570	STRUT HS-158-12/HDG	3	2273	89.49
3	304881	CONNECTOR MIC-MI/MQ-X	9		
4	387779	CHANNEL CONNECTOR MQN-HDG PLUS	9		
5	432077	END CAP - MIA-EC-90	3		
6	244886	CHANNEL END CAP MEK RED	6		
7	387531	KB-TZ SS304 5/8X6	12		
8	2174661	CONNECTOR MIC-C90-DH CONCRETE	3		

DESIGN ASSUMPTIONS:

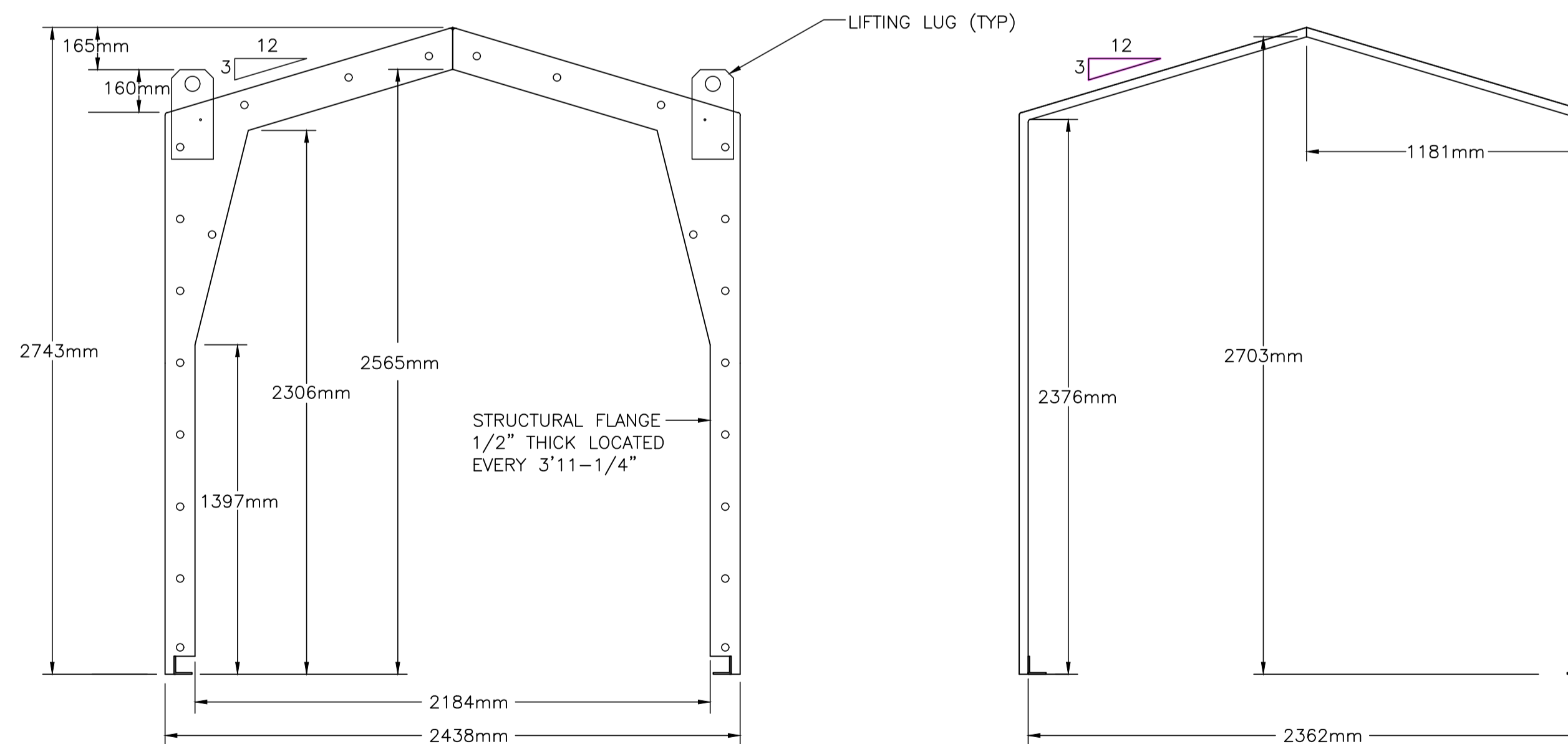
- DESIGN LOADS (STATIC, U.N.O.):
DEAD: 600 LBS (EACH PANEL)
SEISMIC: Sa(0.2)=0.16,
SITE CLASS = D
IMPORTANCE FACTOR IE=1.0
Fa = 1.3, CP = 1.0, Ar = 1.0,
RP = 1.25, VP = 0.15 WP
- BUILDING CODE: NBC 2010
- CORROSION RESISTANCE REQD: HDG

NOTE(S):

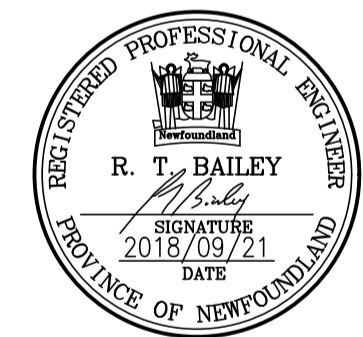
- REFER TO COMPONENT MANUFACTURER'S IFUs FOR REQUIRED INSTALLATION INFO.
- E.O.R. MUST BE NOTIFIED OF ANY DEVIATIONS FROM SUBSTRATE CONDITIONS SHOWN HEREIN TO VALIDATE ACCEPTANCE OF THIS HILTI DESIGN PRIOR TO INSTALLATION.
- HORIZONTAL MQ STRUT TO BE SPACED TO ALIGN WITH PANEL MOUNTING POINTS.
- MINIMUM EFFECTIVE EMBEDMENT DEPTH SHALL BE 3 1/4 INCHES.

*QUANTITY LISTED FOR THE ITEM NUMBER IS FOR PIECE COUNT TOTALS ONLY. ACTUAL ORDERING ITEM NUMBERS AND QUANTITIES WILL BE BASED ON OPTIMIZING TOTAL MATERIAL LENGTHS REQUIRED PER PROFILE OR SIZE/DIAMETER.

3 S02 FOG HORN PANEL SUPPORT RACK DETAILS
SCALE: AS SHOWN



4 S02 FIBERGLASS ENCLOSURE SECTIONS
1:20



PROVINCE OF NEWFOUNDLAND AND LABRADOR
PERMIT HOLDER
This Permit Allows
JEWEL BAILEY CONSULTANTS LTD.
MIRC:
To practice Professional Engineering in Newfoundland and Labrador. Permit No. as issued by PEG N0540 which is valid for the year 2018.

no.	revision	date	by	approved
0	ISSUED FOR TENDER	2018.09.21	GM	RB
A	ISSUED FOR REVIEW	2018.08.14	GM	RB

Project - projet

LA HAYE POINT
FIBERGLASS ENCLOSURE

Drawing - dessin
PLAN, SECTIONS,
SPECIFICATIONS AND
ELEVATIONS

drawn - dessiné	G. MARSH	designed - dessinée par	R. BAILEY
date - date	2018.07.31	checked - vérifié	R. BAILEY
scale - échelle	AS SHOWN	approved - approuvé	R. BAILEY
project no. - projet no.	F6879-184005	drawing no. - no du dessin	01K1301A001S02
		sheet - feuille	0