

# FUEL TANK REPAIR AND REPLACEMENT PROJECT ARCTIC BAY, NUNAVUT

## DRAWING LIST:

### V009 - RESIDENCE

M1.0 DEMOLITION PLAN  
M1.1 CONSTRUCTION PLAN  
M2.0 TANK ELEVATIONS  
M2.1 2" FUEL LINE SUPPORT DETAILS  
M3.0 SCHEMATIC

### V100 - RESIDENCE

M1.0 DEMOLITION PLAN  
M1.1 CONSTRUCTION PLAN  
M2.0 TANK ELEVATIONS  
M2.1 2" FUEL LINE SUPPORT DETAILS  
M3.0 SCHEMATIC

### V102 - FACILITY BUILDING

M1.0 DEMOLITION PLAN  
M1.1 CONSTRUCTION PLAN  
M2.0 TANK ELEVATIONS  
M2.1 2" FUEL LINE SUPPORT DETAILS  
M3.0 SCHEMATIC

### STRUCTURAL DRAWING LIST

S1 STRUCTURAL PROJECT NOTES  
S2 TYP TANK SLAB, BOLLARD AND BASE PLATE DETAILS AND ISOMETRIC VIEW OF METAL STAND  
S3 CONNECTION #1 DETAILS  
S4 CONNECTION #2 DETAILS  
S5 TANK #1 - PLAN VIEW OF TANK ON SLAB  
S6 TANK #1 - PLAN VIEW OF TANK ON SLAB  
S7 TANK #2 - PLAN VIEW OF TANK ON LOW METAL STAND  
S8 TANK #2 - ELEVATIONS OF LOW METAL STAND  
S9 TANK #2 - ELEVATIONS OF LOW METAL STAND  
S10 TANK #3 - PLAN VIEW OF TANK ON HIGH METAL STAND  
S11 TANK #3 - ELEVATIONS OF HIGH METAL STAND  
S12 TANK #3 - ELEVATIONS OF HIGH METAL STAND  
S13 TANK #4 - PLAN VIEW OF TANK ON LOW DOUBLE METAL STAND  
S14 TANK #4 - ELEVATIONS OF LOW DOUBLE METAL STAND  
S15 TANK #4 - ELEVATIONS OF LOW DOUBLE METAL STAND  
S16 TANK #5 - PLAN VIEW OF TANK ON HIGH DOUBLE METAL STAND  
S17 TANK #5 - ELEVATIONS OF HIGH DOUBLE METAL STAND  
S18 TANK #5 - ELEVATIONS OF HIGH DOUBLE METAL STAND



PROJECT TITLE:  
RCMP "V" DIVISION OIL TANK REPLACEMENT - ARCTIC BAY  
SHEET TITLE:  
TITLE PAGE  
PROJECT NUMBER:  
16-028-14-30

00	ISSUED FOR TENDER	18 05 18	JLS
REV. #	REVISION	DATE (YY MM DD)	REV. BY

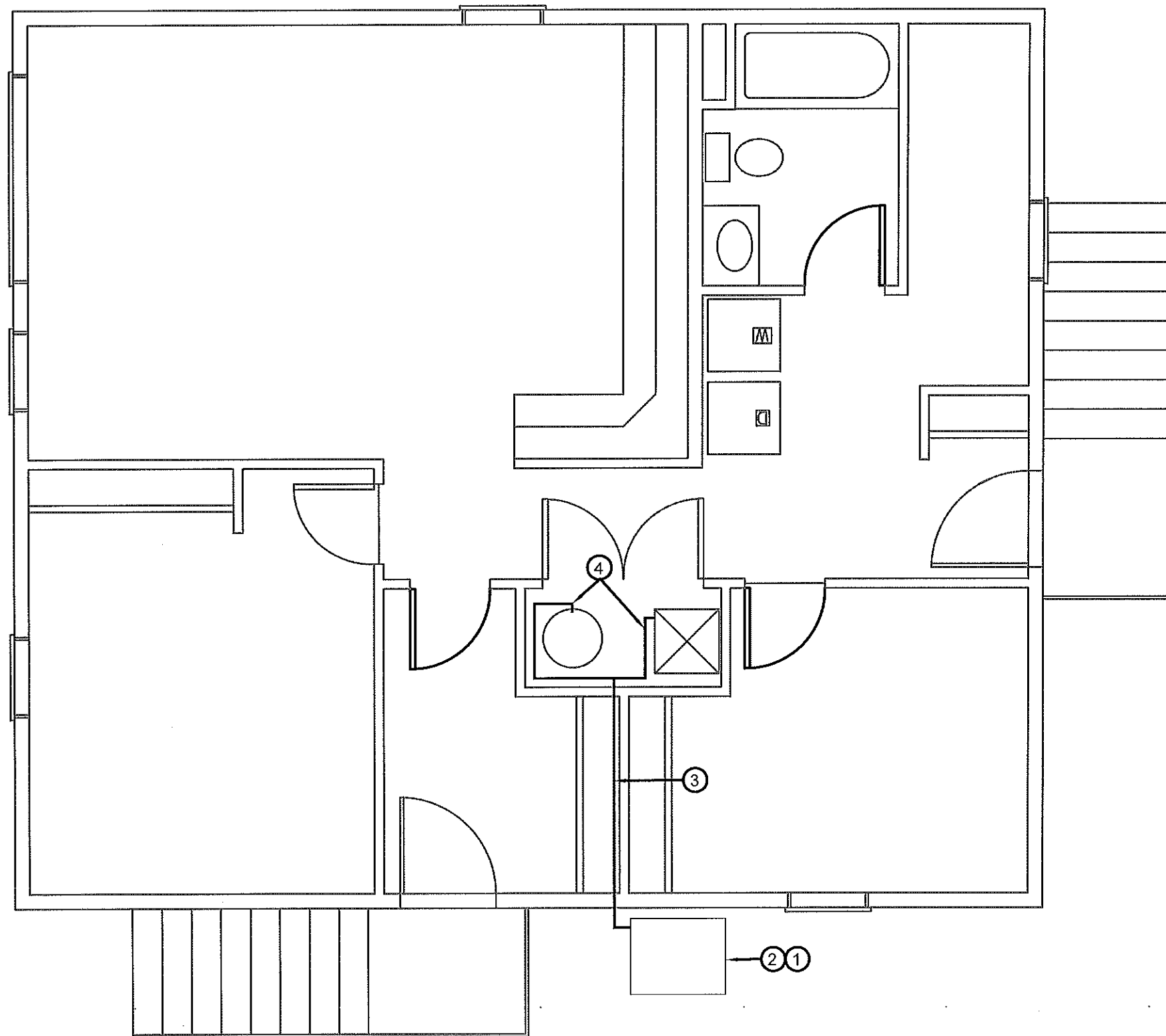
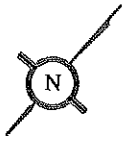
REV. #	REVISION	DATE (YY MM DD)	REV. BY
--------	----------	-----------------	---------

SCALE:  
AS NOTED  
DATE (YY MM DD):  
17 06 09

DRAWING NUMBER:

M0.0

REVISION NUMBER:  
00



**DEMOLITION NOTES: #**

1. REMOVE ALL FUEL FROM THE TANK AND DISPOSE OF AS PER LOCAL REGULATIONS.
2. REMOVE EXISTING ROTH 1000L OIL TANK AND PAD DISPOSE OF AS PER LOCAL REGULATIONS.
3. REMOVE ALL PIPING TO FURNACE AND HOT WATER TANK. DISPOSE OF AS PER LOCAL REGULATIONS.
4. REMOVE EXISTING TIGER LOOP AND FUEL FILTERS ON EXISTING FURNACE AND HWT. DISPOSE OF AS PER LOCAL REGULATIONS.

01 DEMOLITION PLAN  
M1.0 SCALE: NTS

**PERMIT TO PRACTICE**  
**CAN-TEC SERVICES LTD.**  
Signature *J.L. Sitar*  
Date *4.6.18*  
**PERMIT NUMBER: P 647**  
NWT/NU Association of Professional  
Engineers and Geoscientists



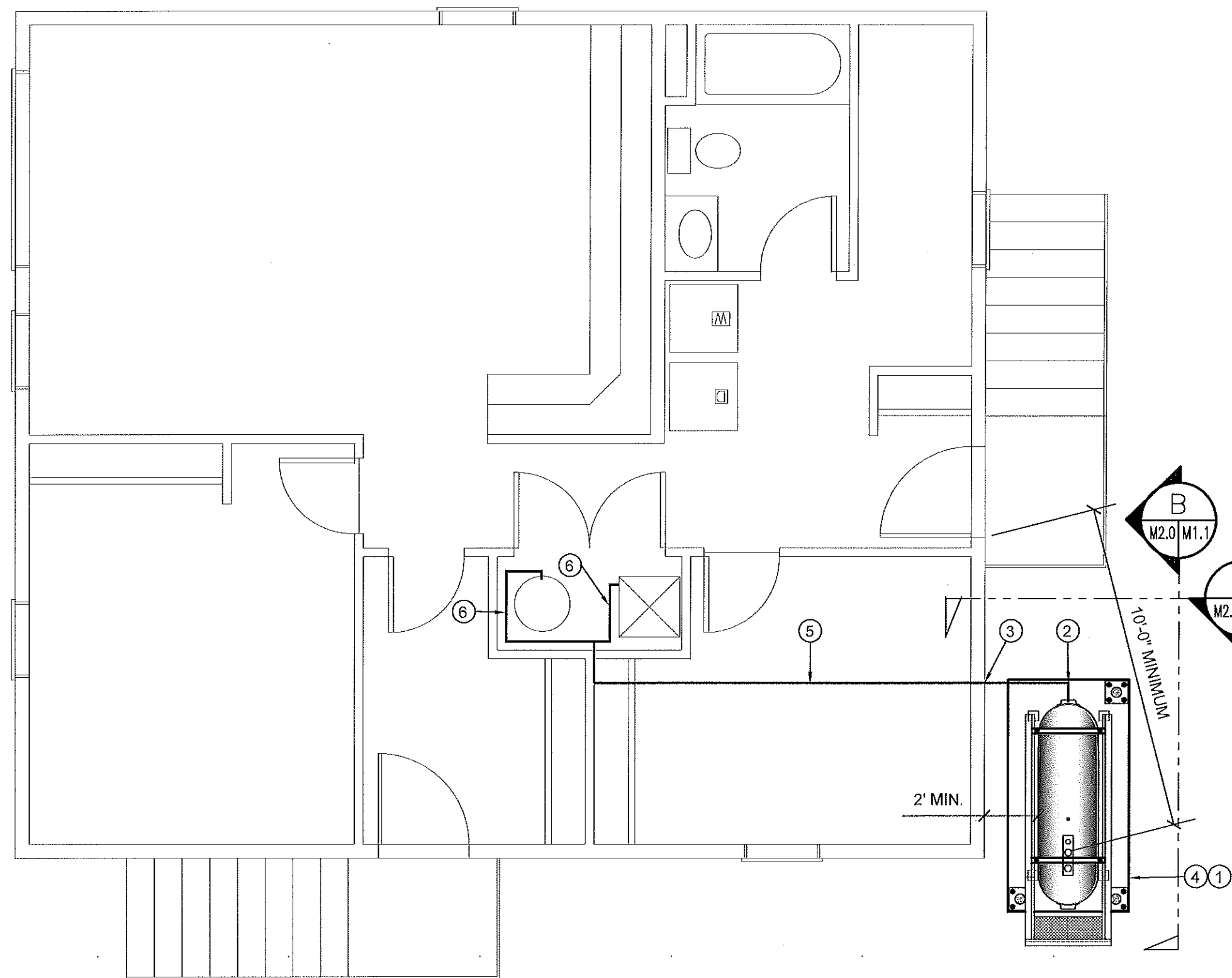
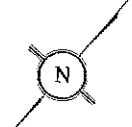
PROJECT TITLE:  
RCMP "V" DIVISION OIL TANK REPLACEMENT - ARCTIC BAY  
V009 - RESIDENCE, ARCTIC BAY  
SHEET TITLE:  
DEMOLITION PLAN  
PROJECT NUMBER:  
16-028-14-30

00	ISSUED FOR TENDER	18 05 18	JLS
REV. #	REVISION	DATE (YY MM DD)	REV. BY

REV. #	REVISION	DATE (YY MM DD)	REV. BY

SCALE:  
AS NOTED  
DATE (YY MM DD):  
17 06 09

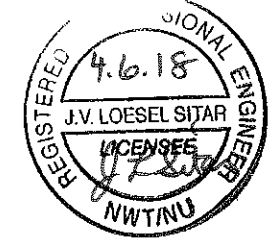
DRAWING NUMBER:  
**M1.0**  
REVISION NUMBER:  
00



**CONSTRUCTION NOTES:** #

1. INSTALL NEW OIL TANK AND CONCRETE PAD IN NEW LOCATION.
2. PROVIDE SUPPORTS UNDER ALL PIPING FROM BOTTOM OF TANK
3. CAULK ENTRY INTO BUILDING.
4. INSTALL NEW OIL TANK STAND #3 - SEE STRUCTURAL FOR DETAILS.
5. INSTALL NEW 2" FUEL PIPE IN CRAWL SPACE. INSTALL NEW HANGERS AS PER SPECIFICATION (SUPPLY NEW ACCESS TO CRAWL SPACE NONE IS PRESENT AT THIS TIME.)
6. INSTALL NEW FUEL FILTER , FUSIBLE LINK, TIGER LOOP AND FUEL PIPING TO FURNACE AND HOT WATER TANK. SEE M3.0

**PERMIT TO PRACTICE**  
**CAN-TEC SERVICES LTD.**  
 Signature J. Loesel Sitar  
 Date 4.6.18  
**PERMIT NUMBER: P 647**  
 NWT/NU Association of Professional  
 Engineers and Geoscientists



01 CONSTRUCTION PLAN  
 M1.1 SCALE: NTS



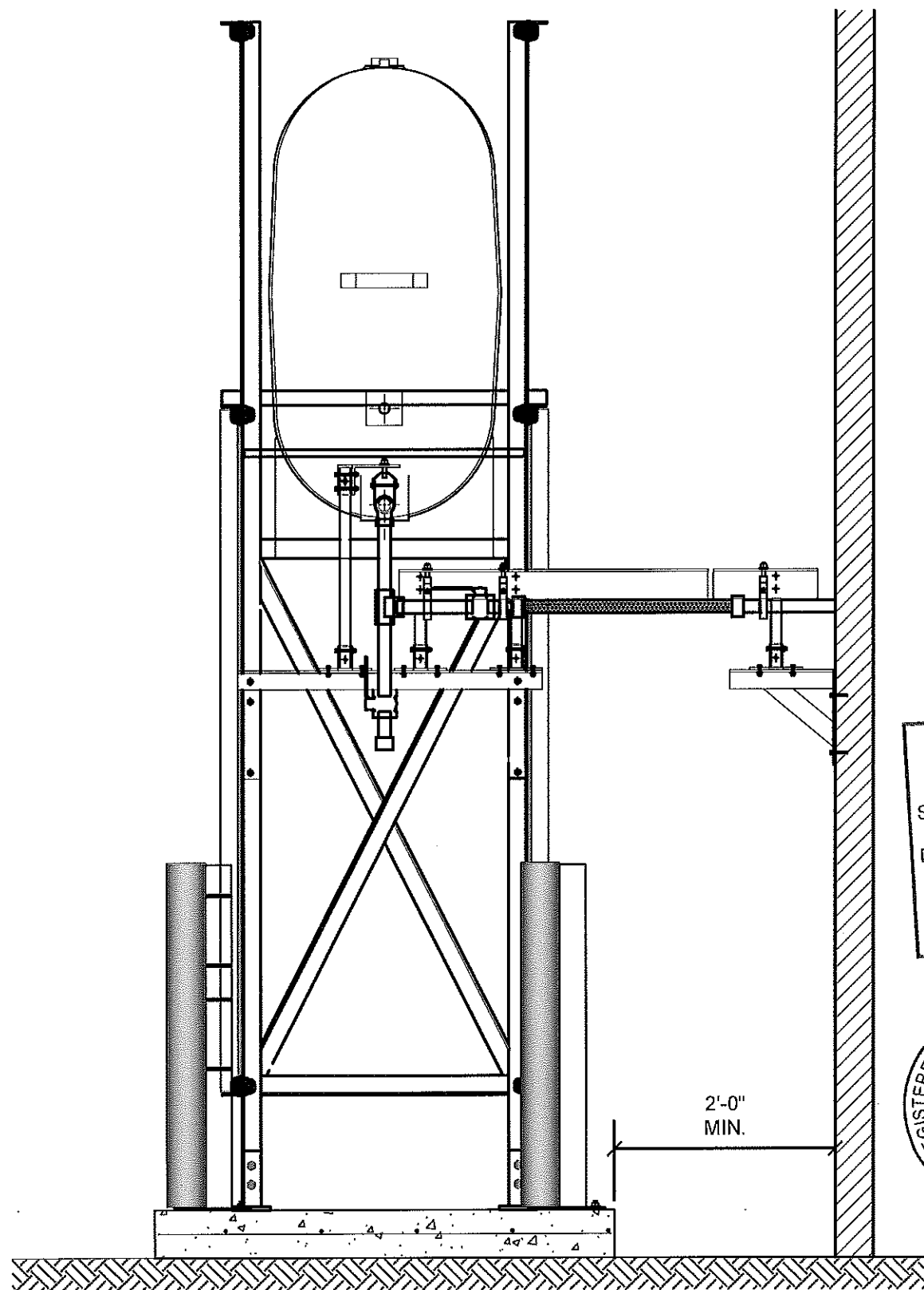
PROJECT TITLE:  
 RCMP "V" DIVISION OIL TANK REPLACEMENT - ARCTIC BAY  
 V009 - RESIDENCE, ARCTIC BAY  
 SHEET TITLE:  
 CONSTRUCTION PLAN  
 PROJECT NUMBER:  
 16-028-14-30

REV. #	REVISION	DATE (YY MM DD)	REV. BY
00	ISSUED FOR TENDER	18 05 18	JLS

REV. #	REVISION	DATE (YY MM DD)	REV. BY

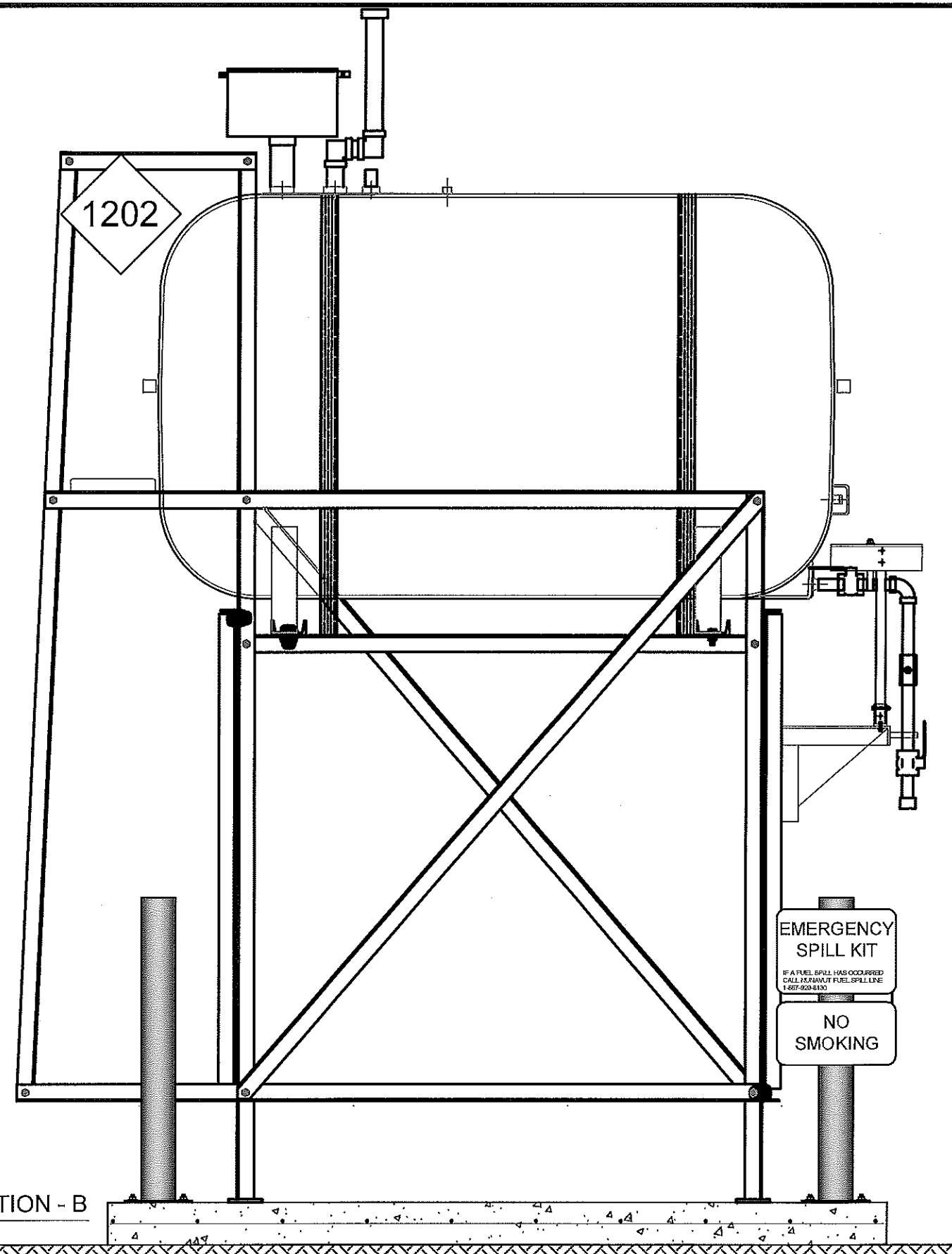
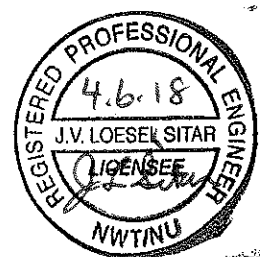
SCALE:  
 AS NOTED  
 DATE (YY MM DD):  
 17 06 09

DRAWING NUMBER:  
**M1.1**  
 REVISION NUMBER:  
 00



01 OIL TANK ELEVATION - A  
M2.0 SCALE: 3/4"=1'-0"

PERMIT TO PRACTICE  
CAN-TEC SERVICES LTD.  
Signature *J. Loesel*  
Date 4.6.18  
PERMIT NUMBER: P 647  
NWT/NU Association of Professional  
Engineers and Geoscientists



02 OIL TANK ELEVATION - B  
M2.0 SCALE: 3/4"=1'-0"



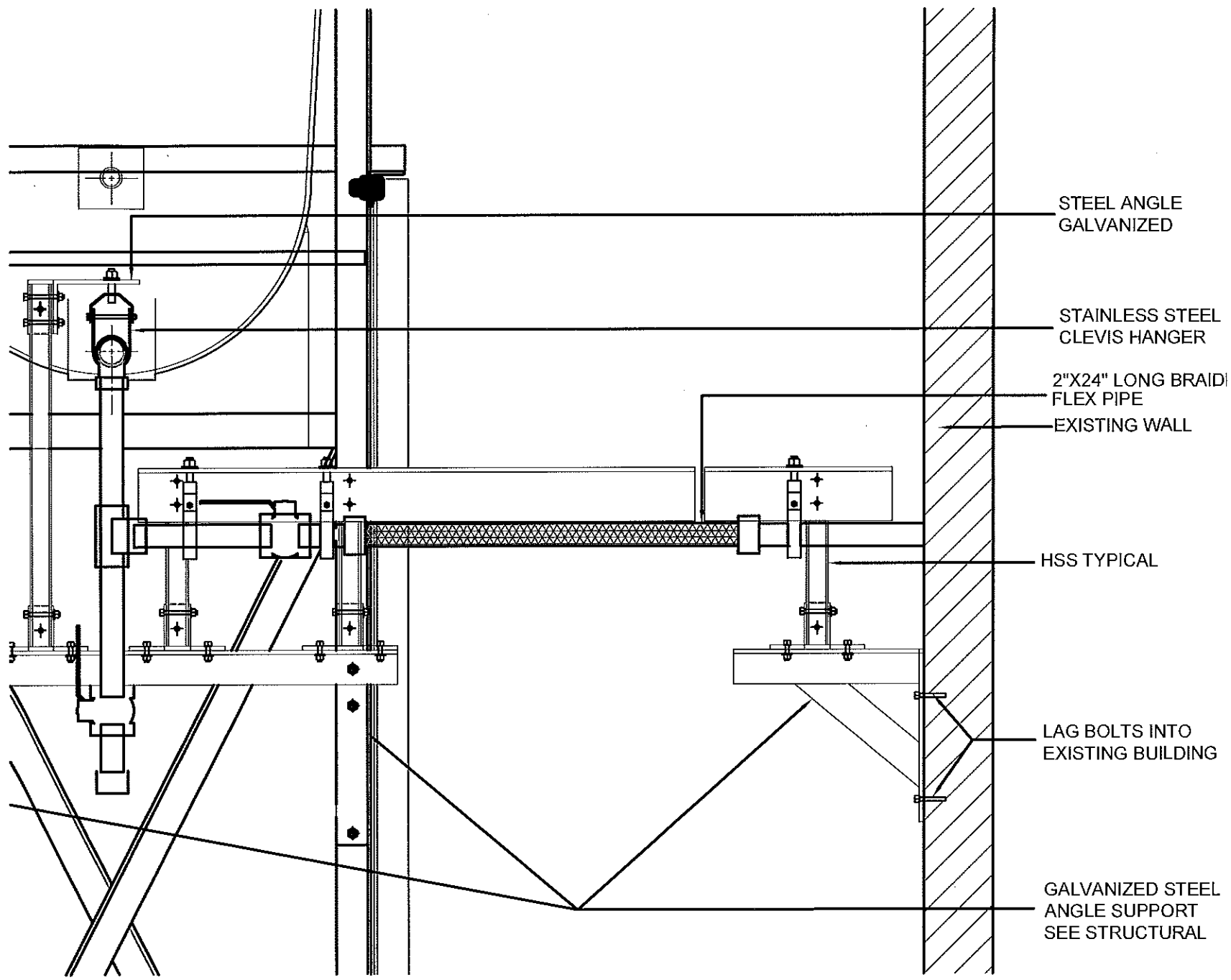
PROJECT TITLE:  
RCMP "V" DIVISION OIL TANK REPLACEMENT - ARCTIC BAY  
V009 - RESIDENCE, ARCTIC BAY  
SHEET TITLE:  
TANK ELEVATIONS  
PROJECT NUMBER:  
16-028-14-30

REV. #	REVISION	DATE (YY MM DD)	REV. BY
00	ISSUED FOR TENDER	18 05 18	JLS

REV. #	REVISION	DATE (YY MM DD)	REV. BY

SCALE:  
AS NOTED  
DATE (YY MM DD):  
17 06 09

DRAWING NUMBER:  
**M2.0**  
REVISION NUMBER:  
00



STEEL ANGLE GALVANIZED

STAINLESS STEEL CLEVIS HANGER

2"X24" LONG BRAID FLEX PIPE

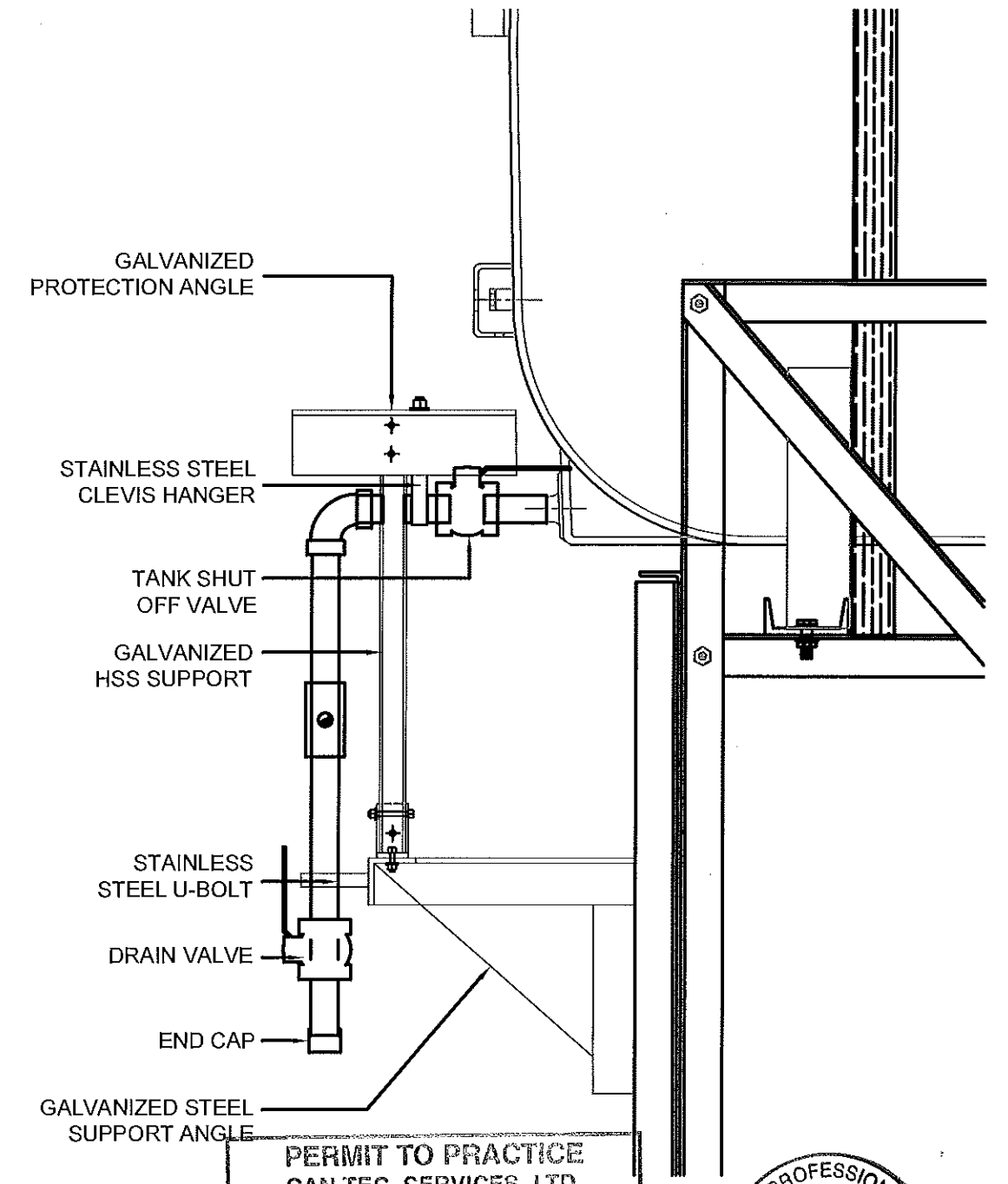
EXISTING WALL

HSS TYPICAL

LAG BOLTS INTO EXISTING BUILDING

GALVANIZED STEEL ANGLE SUPPORT SEE STRUCTURAL

01 FRONT VIEW  
M2.1 SCALE: 1 1/2"-1'-0"



GALVANIZED PROTECTION ANGLE

STAINLESS STEEL CLEVIS HANGER

TANK SHUT OFF VALVE

GALVANIZED HSS SUPPORT

STAINLESS STEEL U-BOLT

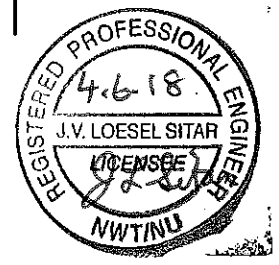
DRAIN VALVE

END CAP

GALVANIZED STEEL SUPPORT ANGLE

02 SIDE VIEW  
M2.1 SCALE: 1 1/2"-1'-0"

PERMIT TO PRACTICE  
CAN-TEC SERVICES LTD.  
Signature *J. V. Loesel Sitar*  
Date 4.6.18  
PERMIT NUMBER: P 647  
NWT/NU Association of Professional  
Engineers and Geoscientists



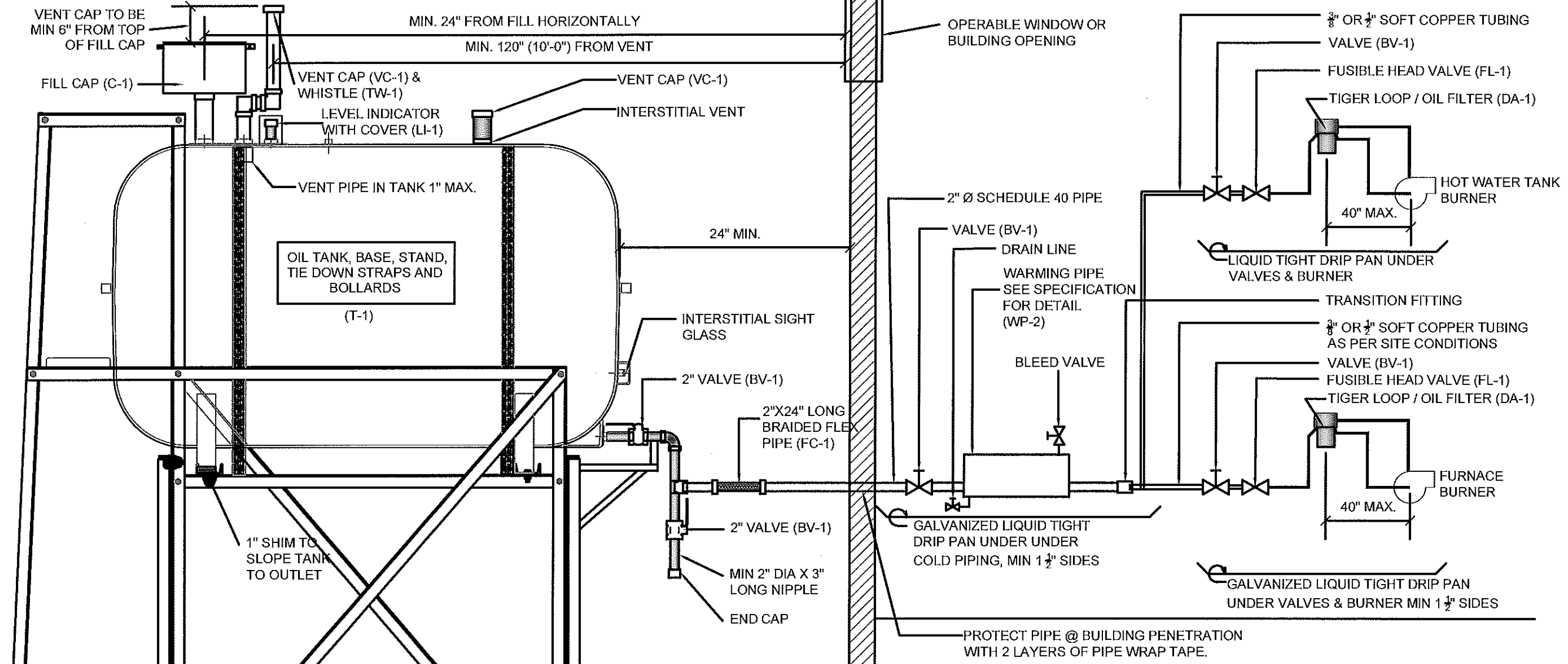
PROJECT TITLE:  
RCMP "V" DIVISION OIL TANK REPLACEMENT - ARCTIC BAY  
V009 - RESIDENCE, ARCTIC BAY  
SHEET TITLE:  
2" FUEL LINE SUPPORT DETAILS  
PROJECT NUMBER:  
16-028-14-30

00	ISSUED FOR TENDER	18 05 18	JLS
REV. #	REVISION	DATE (YY MM DD)	REV. BY

REV. #	REVISION	DATE (YY MM DD)	REV. BY
--------	----------	-----------------	---------

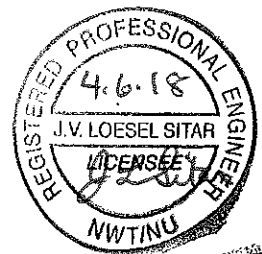
SCALE:  
AS NOTED  
DATE (YY MM DD):  
17 06 09

DRAWING NUMBER:  
**M2.1**  
REVISION NUMBER:  
00



- NOTES:**
1. ALL PIPE PASSING THOUGH BUILDING OPENINGS IS TO BE PROTECTED WITH 2 LAYERS OF WEATHER RESISTANT TAPE.
  2. LOCATE NEW FUEL OIL FILTER (IF REQUIRED) WITHIN 40" OF BURNER. IF FILTER MUST BE MORE THAN 40" AWAY, ADJUST FUSIBLE HEAD VALVE TO BE WITHIN 40" OF BURNER.
  3. ALL PIPING TO BE PRE PAINTED. ONLY TOUCH UPS PERMITTED FOR STANDARD INSTALLATIONS.
  4. ADD WARNING SIGNS AS NOTED ON ELEVATIONS

**PERMIT TO PRACTICE**  
**CAN-TEC SERVICES LTD.**  
 Signature J.L. Sitar  
 Date 4.6.18  
**PERMIT NUMBER: P 647**  
 NWT/NU Association of Professional  
 Engineers and Geoscientists



01 SCHEMATIC - TANK, PIPING & ACCESSORIES : ON STAND  
 M3.0 SCALE: NTS



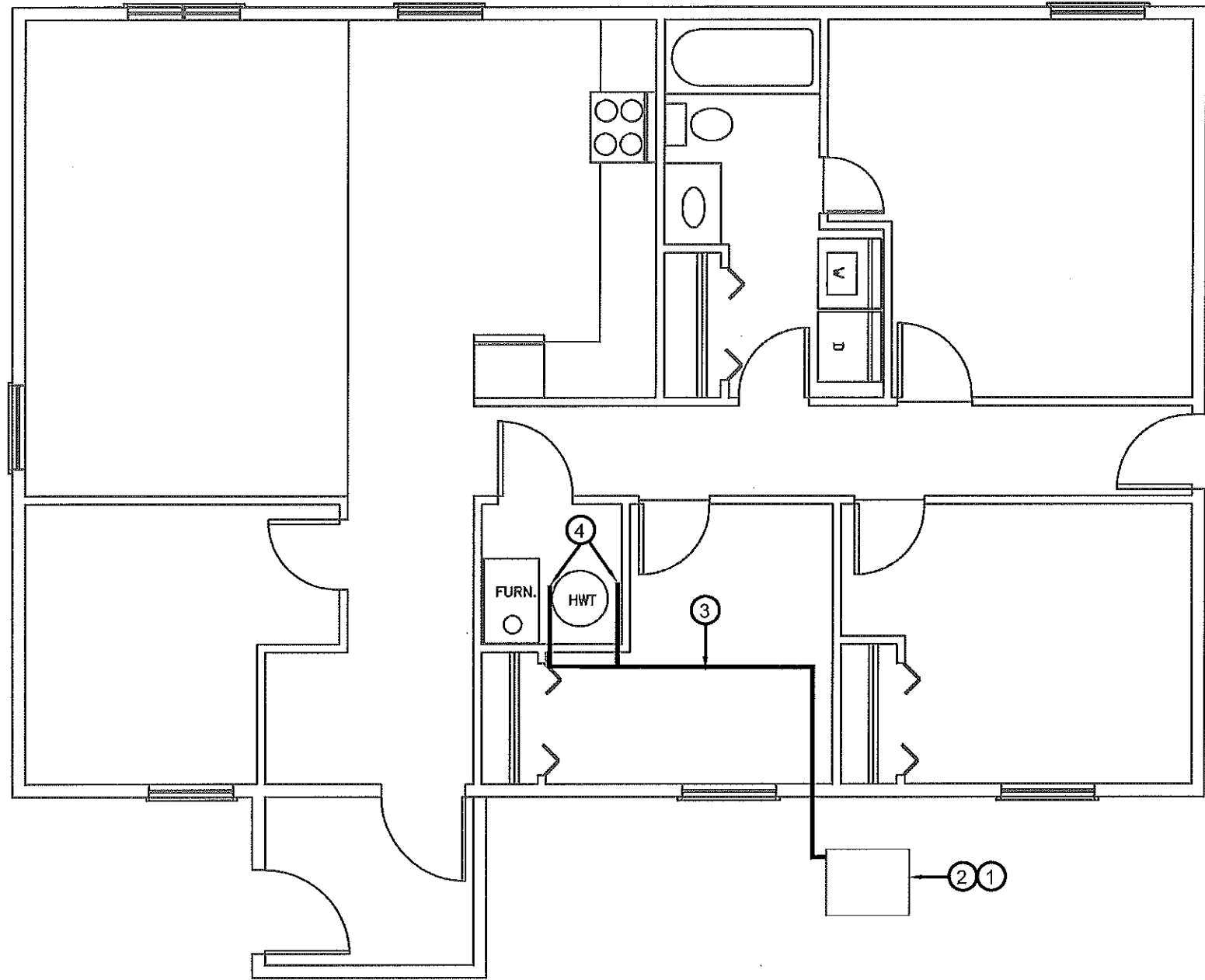
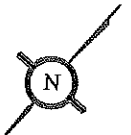
PROJECT TITLE:  
 RCMP "V" DIVISION OIL TANK REPLACEMENT - ARCTIC BAY  
 V009 - RESIDENCE, ARCTIC BAY  
 SHEET TITLE:  
 SCHEMATIC  
 PROJECT NUMBER:  
 16-028-14-30

REV. #	REVISION	DATE (YY MM DD)	REV. BY
00	ISSUED FOR TENDER	18 05 18	JLS

REV. #	REVISION	DATE (YY MM DD)	REV. BY

SCALE:  
 AS NOTED  
 DATE (YY MM DD):  
 17 06 09

DRAWING NUMBER:  
**M3.0**  
 REVISION NUMBER:  
 00



**DEMOLITION NOTES: #**

- 1. REMOVE ALL FUEL FROM THE TANK AND DISPOSE OF AS PER LOCAL REGULATIONS.
- 2. REMOVE EXISTING ROTH 1000L OIL TANK AND PAD DISPOSE OF AS PER LOCAL REGULATIONS.
- 3. REMOVE ALL PIPING TO FURNACE AND HOT WATER TANK. DISPOSE AS PER REGULATIONS.
- 4. REMOVE EXISTING TIGER LOOP AND FUEL FILTERS ON EXISTING FURNACE AND HWT. DISPOSE AS PER REGULATIONS.

01 DEMOLITION PLAN  
M1.0 SCALE: NTS

PERMIT TO PRACTICE  
CAN-TEC SERVICES LTD.  
Signature *J.L. Sitar*  
Date 4.6.18  
PERMIT NUMBER: P 647  
NWT/NU Association of Professional  
Engineers and Geoscientists



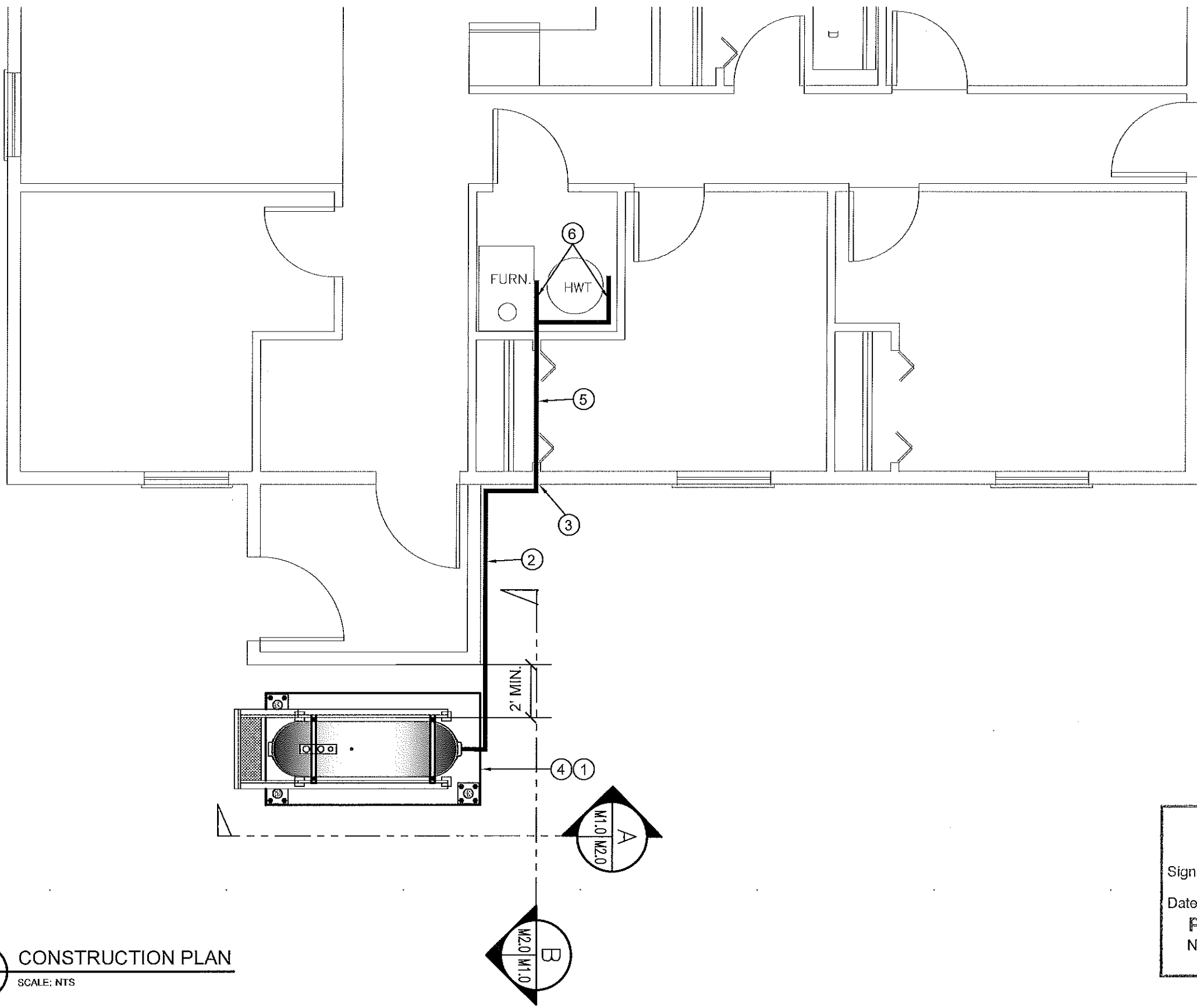
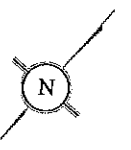
PROJECT TITLE:  
RCMP "V" DIVISION OIL TANK REPLACEMENT - ARCTIC BAY  
V100 - RESIDENCE, ARCTIC BAY NU  
SHEET TITLE:  
DEMOLITION PLAN  
PROJECT NUMBER:  
16-028-14-30

00	ISSUED FOR TENDER	18 05 18	JLS
REV. #	REVISION	DATE (YY MM DD)	REV. BY

REV. #	REVISION	DATE (YY MM DD)	REV. BY
--------	----------	-----------------	---------

SCALE:  
AS NOTED  
DATE (YY MM DD):  
17 06 09

DRAWING NUMBER:  
**M1.0**  
REVISION NUMBER:  
00

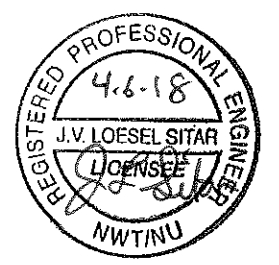


CONSTRUCTION NOTES: #

1. INSTALL NEW OIL TANK AND CONCRETE PAD IN NEW LOCATION.
2. PROVIDE SUPPORTS UNDER ALL PIPING FROM BOTTOM OF TANK
3. CAULK ENTRY INTO BUILDING.
4. INSTALL NEW OIL TANK STAND #3 - SEE STRUCTURAL FOR DETAILS.
5. INSTALL NEW 2" FUEL PIPE IN CRAWL SPACE. INSTALL NEW HANGERS AS PER SPECIFICATION (SUPPLY NEW ACCESS TO CRAWL SPACE NONE IS PRESENT AT THIS TIME.)
6. INSTALL NEW FUEL FILTER , FUSIBLE LINK, TIGER LOOP AND FUEL PIPING TO FURNACE AND HOT WATER TANK. SEE M3.0

01 CONSTRUCTION PLAN  
M1.1 SCALE: NTS

PERMIT TO PRACTICE  
CAN-TEC SERVICES LTD.  
Signature *J.L. Sitar*  
Date 4.6.18  
PERMIT NUMBER: P 647  
NWT/NU Association of Professional  
Engineers and Geoscientists



PROJECT TITLE:  
RCMP "V" DIVISION OIL TANK REPLACEMENT - ARCTIC BAY  
V100 - RESIDENCE, ARCTIC BAY NU  
SHEET TITLE:  
CONSTRUCTION PLAN  
PROJECT NUMBER:  
16-028-14-30

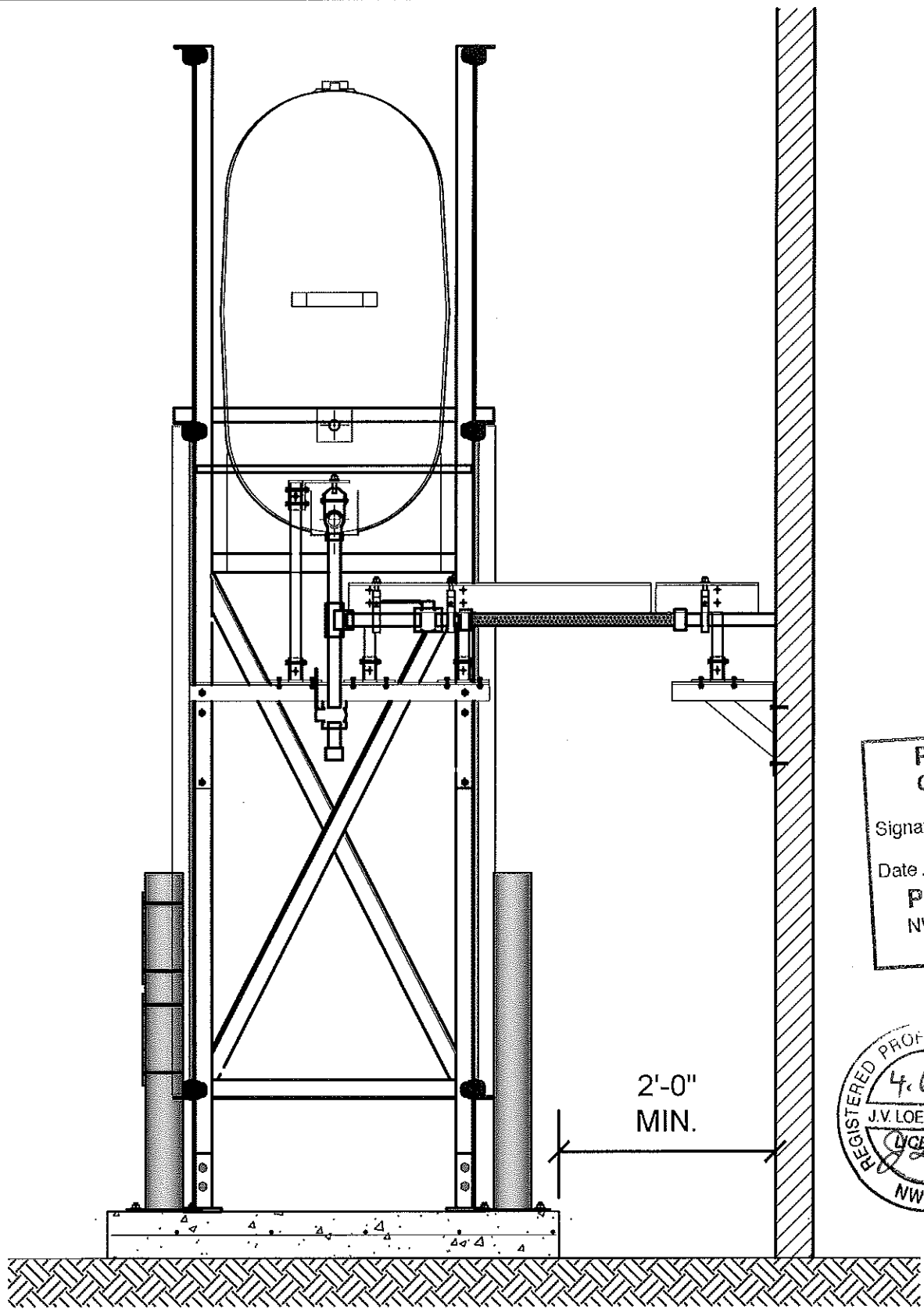
REV. #	REVISION	DATE (YY MM DD)	REV. BY
00	ISSUED FOR TENDER	18 05 18	JLS

REV. #	REVISION	DATE (YY MM DD)	REV. BY

SCALE:  
AS NOTED  
DATE (YY MM DD):  
17 06 09

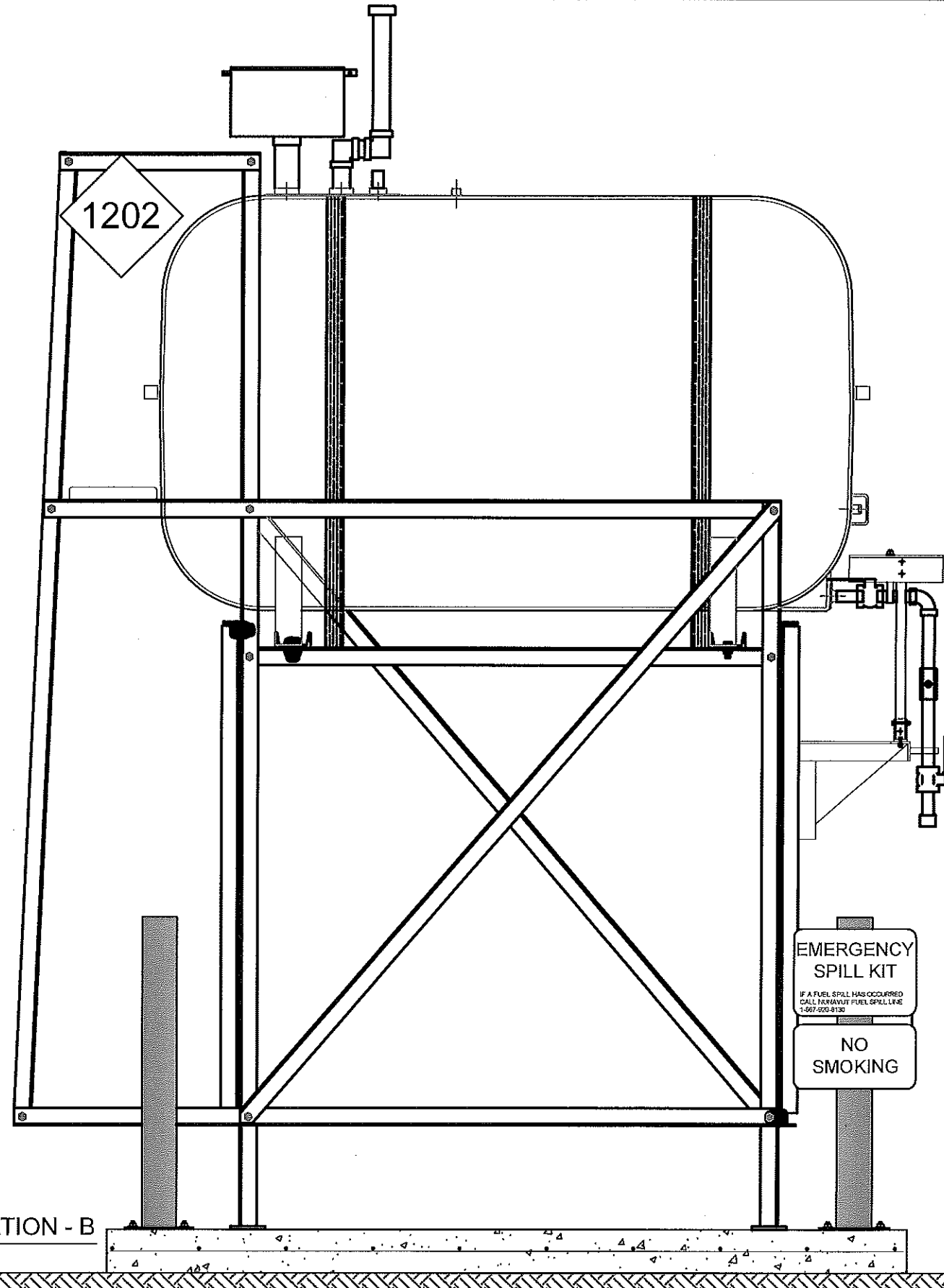
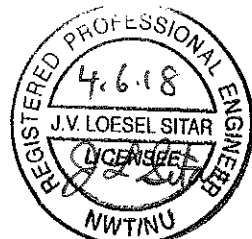
DRAWING NUMBER:  
**M1.1**  
REVISION NUMBER:  
00





01 OIL TANK ELEVATION - A  
M2.0 SCALE: 3/4"-1'-0"

PERMIT TO PRACTICE  
CAN-TEC SERVICES LTD.  
Signature *J. L. Sitar*  
Date 4.6.18  
PERMIT NUMBER: P 647  
NWT/NU Association of Professional  
Engineers and Geoscientists



02 OIL TANK ELEVATION - B  
M2.0 SCALE: 3/4"-1'-0"



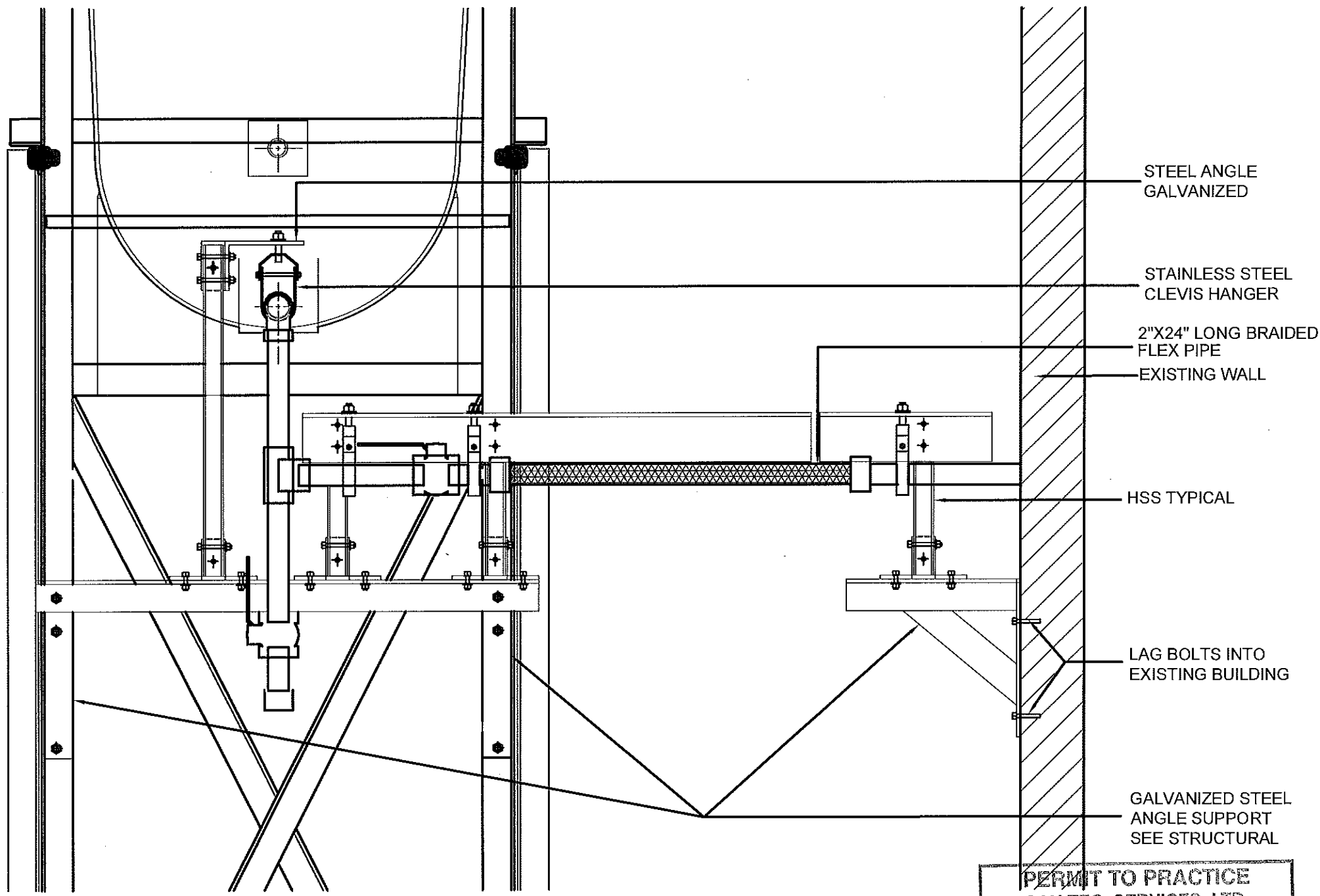
PROJECT TITLE:  
RCMP "V" DIVISION OIL TANK REPLACEMENT - ARCTIC BAY  
V100 - RESIDENCE, ARCTIC BAY NU  
SHEET TITLE:  
TANK ELEVATIONS  
PROJECT NUMBER:  
16-028-14-30

00	ISSUED FOR TENDER	18 05 18	JLS
REV. #	REVISION	DATE (YY MM DD)	REV. BY

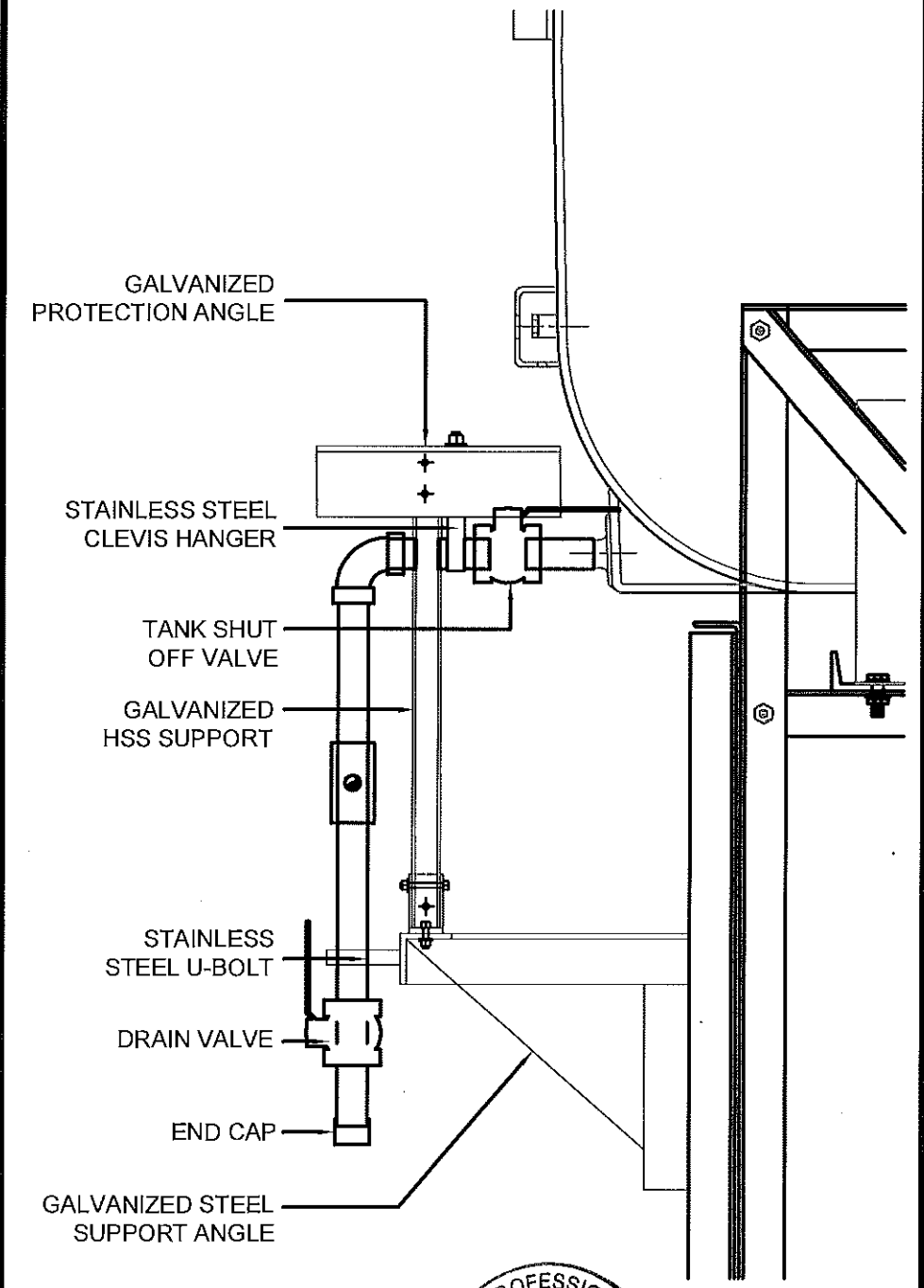
REV. #	REVISION	DATE (YY MM DD)	REV. BY
--------	----------	-----------------	---------

SCALE:  
AS NOTED  
DATE (YY MM DD):  
17 06 09

DRAWING NUMBER:  
**M2.0**  
REVISION NUMBER:  
00



- STEEL ANGLE GALVANIZED
- STAINLESS STEEL CLEVIS HANGER
- 2"X24" LONG BRAIDED FLEX PIPE
- EXISTING WALL
- HSS TYPICAL
- LAG BOLTS INTO EXISTING BUILDING
- GALVANIZED STEEL ANGLE SUPPORT SEE STRUCTURAL

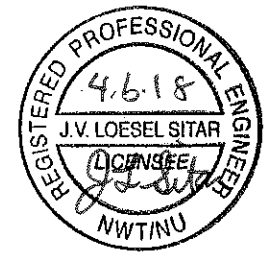


- GALVANIZED PROTECTION ANGLE
- STAINLESS STEEL CLEVIS HANGER
- TANK SHUT OFF VALVE
- GALVANIZED HSS SUPPORT
- STAINLESS STEEL U-BOLT
- DRAIN VALVE
- END CAP
- GALVANIZED STEEL SUPPORT ANGLE

01 FRONT VIEW  
M2.1 SCALE: 1 1/2"-1'-0"

02 SIDE VIEW  
M2.1 SCALE: 1 1/2"-1'-0"

PERMIT TO PRACTICE  
CAN-TEC SERVICES LTD.  
Signature J.L. Sitar  
Date 4.6.18  
PERMIT NUMBER: P 647  
NWT/NU Association of Professional  
Engineers and Geoscientists



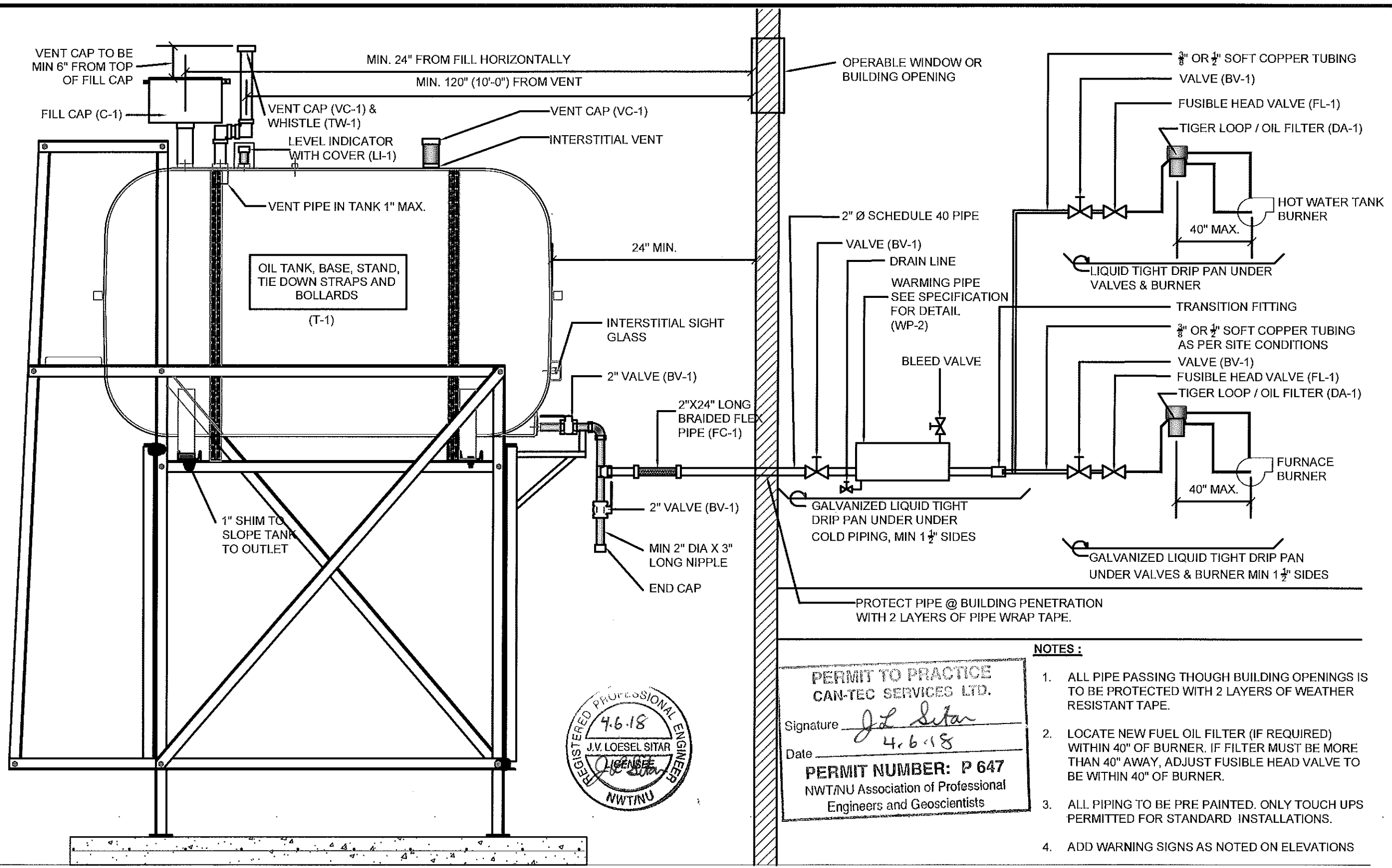
PROJECT TITLE:  
RCMP "V" DIVISION OIL TANK REPLACEMENT - ARCTIC BAY NU  
V100 - RESIDENCE, ARCTIC BAY NU  
SHEET TITLE:  
2" FUEL LINE SUPPORT DETAILS  
PROJECT NUMBER:  
16-028-14-30

REV. #	REVISION	DATE (YY MM DD)	REV. BY
00	ISSUED FOR TENDER	18 05 18	JLS

REV. #	REVISION	DATE (YY MM DD)	REV. BY

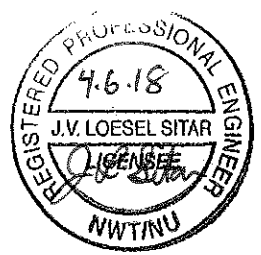
SCALE:  
AS NOTED  
DATE (YY MM DD):  
17 06 09

DRAWING NUMBER:  
**M2.1**  
REVISION NUMBER:  
00



**NOTES :**

1. ALL PIPE PASSING THOUGH BUILDING OPENINGS IS TO BE PROTECTED WITH 2 LAYERS OF WEATHER RESISTANT TAPE.
2. LOCATE NEW FUEL OIL FILTER (IF REQUIRED) WITHIN 40" OF BURNER. IF FILTER MUST BE MORE THAN 40" AWAY, ADJUST FUSIBLE HEAD VALVE TO BE WITHIN 40" OF BURNER.
3. ALL PIPING TO BE PRE PAINTED. ONLY TOUCH UPS PERMITTED FOR STANDARD INSTALLATIONS.
4. ADD WARNING SIGNS AS NOTED ON ELEVATIONS



**PERMIT TO PRACTICE**  
**CAN-TEC SERVICES LTD.**  
 Signature *J.L. Sitar*  
 Date *4.6.18*  
**PERMIT NUMBER: P 647**  
 NWT/NU Association of Professional  
 Engineers and Geoscientists

01 SCHEMATIC - TANK, PIPING & ACCESSORIES : ON STAND  
 M3.0 SCALE: NTS



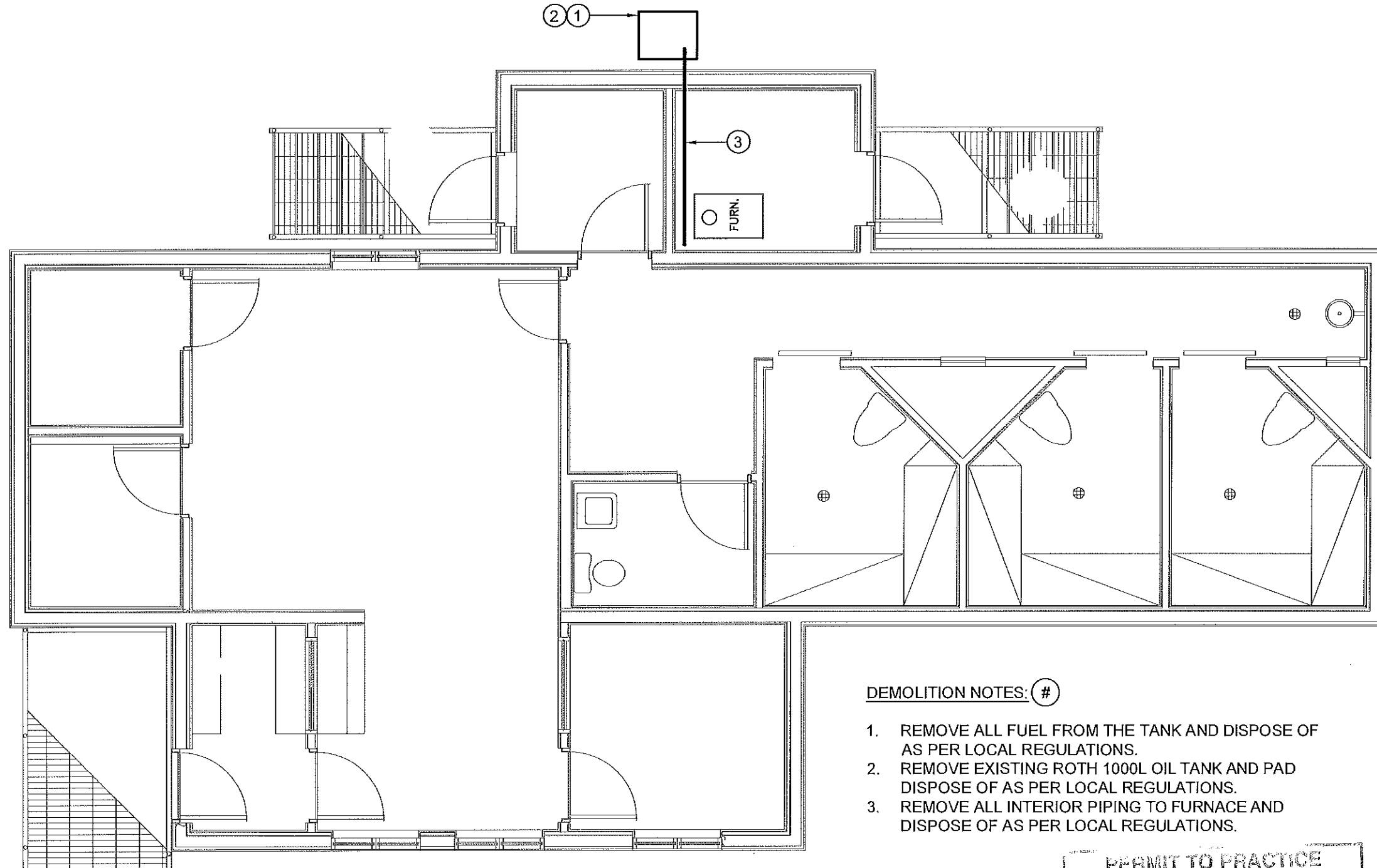
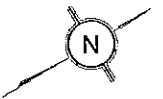
PROJECT TITLE:  
 RCMP "V" DIVISION OIL TANK REPLACEMENT - ARCTIC BAY  
 V100 - RESIDENCE, ARCTIC BAY NU  
 SHEET TITLE:  
 SCHEMATIC  
 PROJECT NUMBER:  
 16-028-14-30

00	ISSUED FOR TENDER	18 05 18	JLS
REV. #	REVISION	DATE (YY MM DD)	REV. BY

REV. #	REVISION	DATE (YY MM DD)	REV. BY
--------	----------	-----------------	---------

SCALE:  
 AS NOTED  
 DATE (YY MM DD):  
 17 06 09

DRAWING NUMBER:  
**M3.0**  
 REVISION NUMBER:  
 00



**DEMOLITION NOTES: #**

1. REMOVE ALL FUEL FROM THE TANK AND DISPOSE OF AS PER LOCAL REGULATIONS.
2. REMOVE EXISTING ROTH 1000L OIL TANK AND PAD DISPOSE OF AS PER LOCAL REGULATIONS.
3. REMOVE ALL INTERIOR PIPING TO FURNACE AND DISPOSE OF AS PER LOCAL REGULATIONS.

**PERMIT TO PRACTICE  
CAN-TEC SERVICES LTD.**

Signature: *J. L. Sitler*

Date: 4.6.18

**PERMIT NUMBER: P 647**  
NWT/NU Association of Professional  
Engineers and Geoscientists



01 **DEMOLITION PLAN**  
M1.0 SCALE: NTS

PROJECT TITLE:  
RCMP "V" DIVISION OIL TANK REPLACEMENT - ARCTIC BAY  
V102 - FACILITY BUILDING, ARCTIC BAY NU

SHEET TITLE:  
DEMOLITION PLAN

PROJECT NUMBER:  
16-028-14-30

00	ISSUED FOR TENDER	18 05 18	JLS
REV. #	REVISION	DATE (YY MM DD)	REV. BY

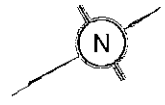
REV. #	REVISION	DATE (YY MM DD)	REV. BY
--------	----------	-----------------	---------

SCALE:  
AS NOTED

DATE (YY MM DD):  
17 06 09

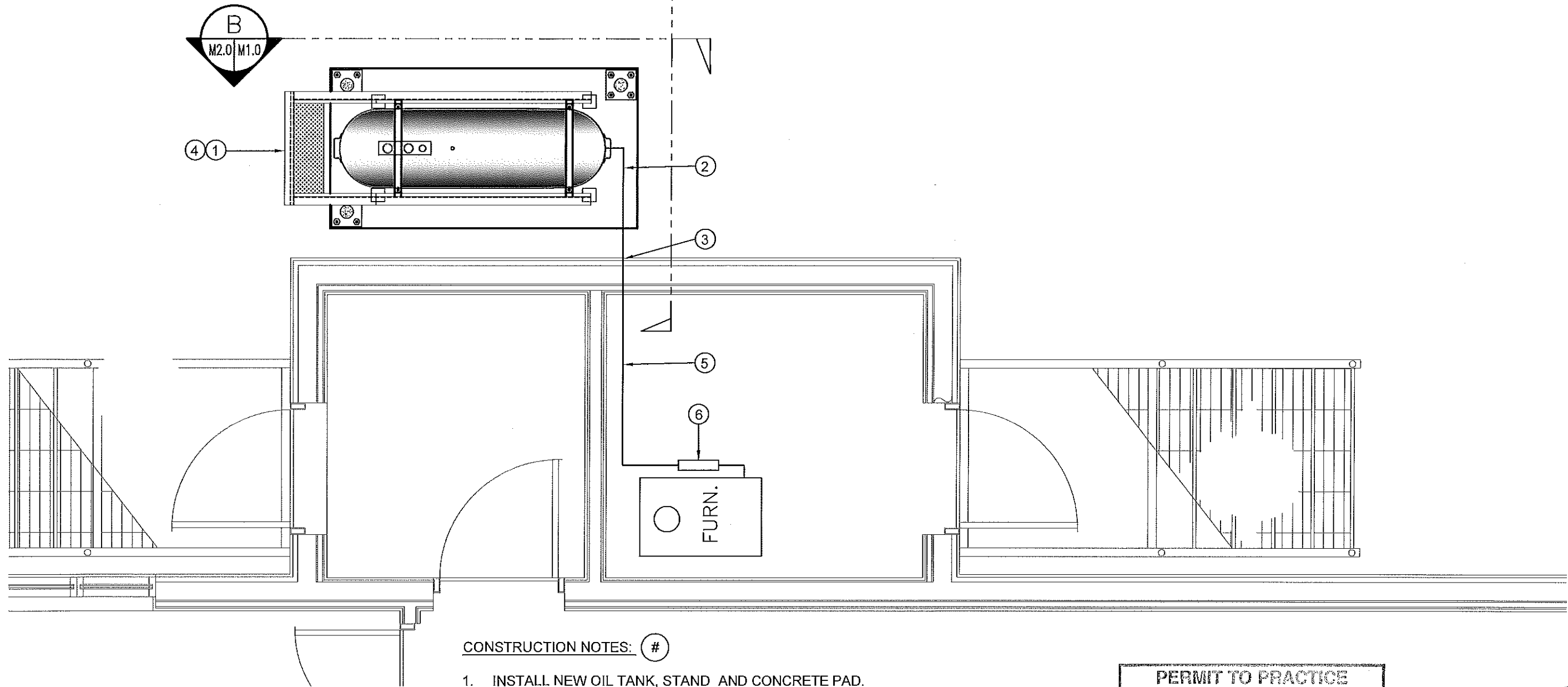
DRAWING NUMBER:  
**M1.0**

REVISION NUMBER:  
00



A  
M2.0 | M1.0

B  
M2.0 | M1.0



CONSTRUCTION NOTES: #

1. INSTALL NEW OIL TANK, STAND AND CONCRETE PAD.
2. PROVIDE SUPPORTS UNDER ALL PIPING FROM BOTTOM OF TANK.
3. CAULK ENTRY INTO BUILDING.
4. INSTALL NEW OIL TANK #3 SEE STRUCTURAL FOR DETAILS.
5. INSTALL NEW PIPING AND SECURE TO FLOOR SEE M3.0.
6. NEW WARMING TANK AND ACCESSORIES

01 CONSTRUCTION PLAN  
M1.1 SCALE: NTS

PERMIT TO PRACTICE  
CAN-TEC SERVICES LTD.

Signature J.L. Sitar  
Date 4.6.18

PERMIT NUMBER: P 647  
NWT/NU Association of Professional  
Engineers and Geoscientists



PROJECT TITLE:  
RCMP "V" DIVISION OIL TANK REPLACEMENT - ARCTIC BAY  
V102 - FACILITY BUILDING, ARCTIC BAY NU

SHEET TITLE:  
CONSTRUCTION PLAN

PROJECT NUMBER:  
16-028-14-30

REV. #	REVISION	DATE (YY MM DD)	REV. BY
00	ISSUED FOR TENDER	18 05 18	JLS

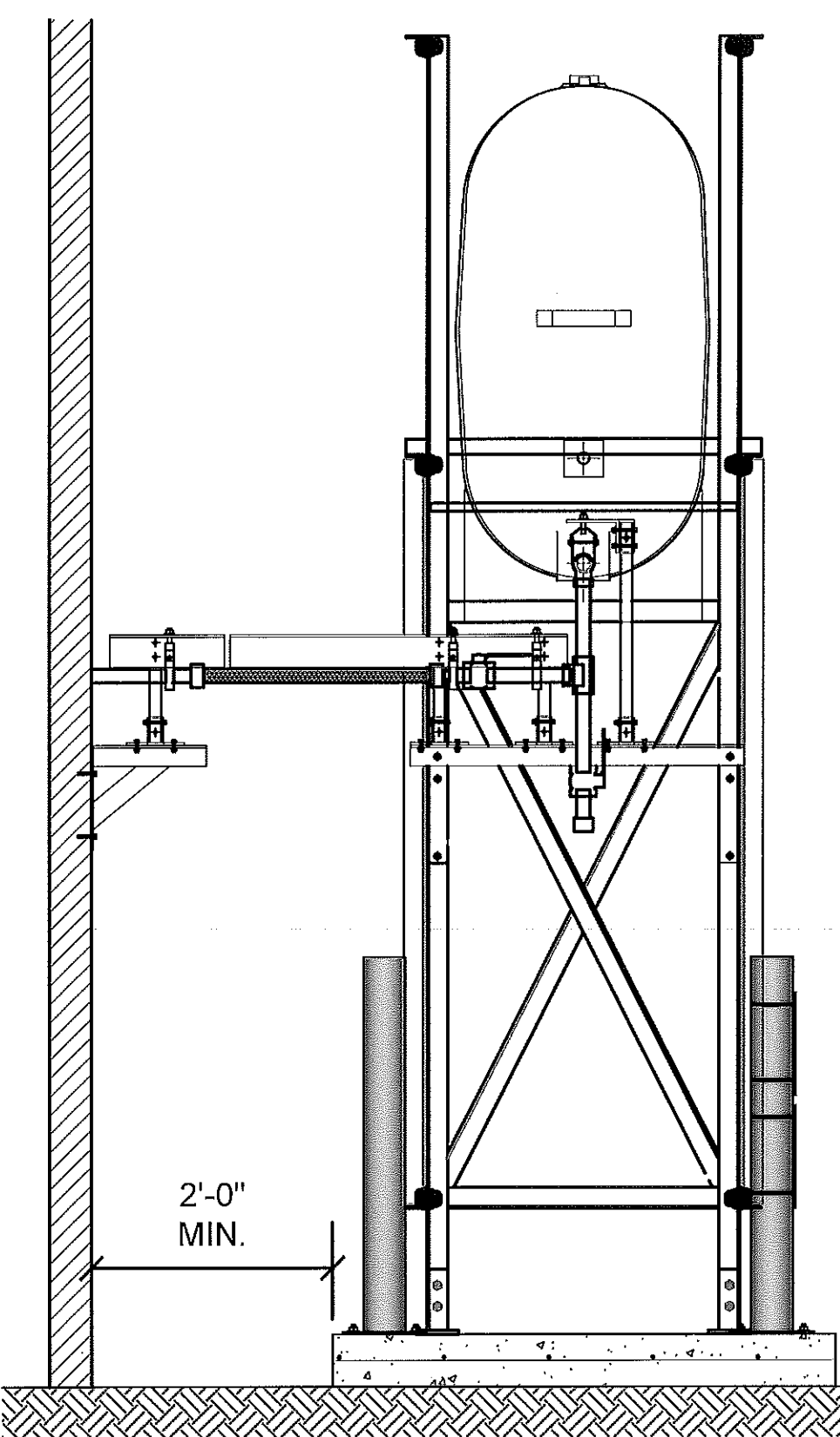
REV. #	REVISION	DATE (YY MM DD)	REV. BY

SCALE:  
AS NOTED

DATE (YY MM DD):  
17 06 09

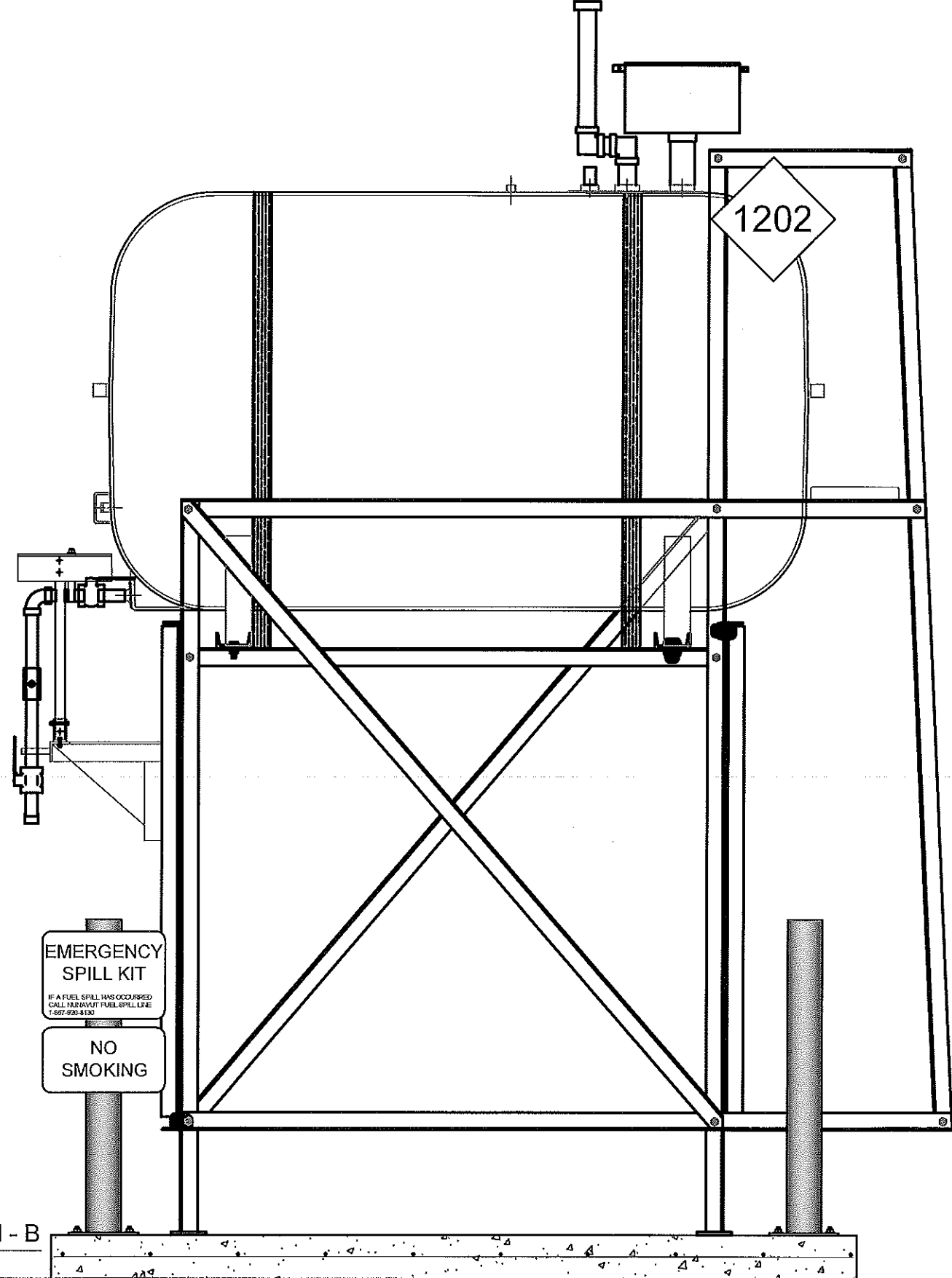
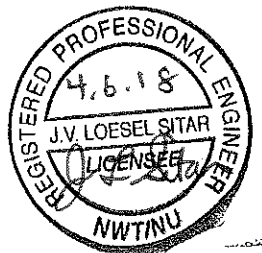
DRAWING NUMBER:  
M1.1

REVISION NUMBER:  
00



01 OIL TANK ELEVATION - A  
M2.0 SCALE: 3/4"-1'-0"

PERMIT TO PRACTICE  
CAN-TEC SERVICES LTD.  
Signature *J. I. Sitar*  
Date *4.6.18*  
PERMIT NUMBER: P 647  
NWT/NU Association of Professional  
Engineers and Geoscientists



02 OIL TANK ELEVATION - B  
M2.0 SCALE: 3/4"-1'-0"



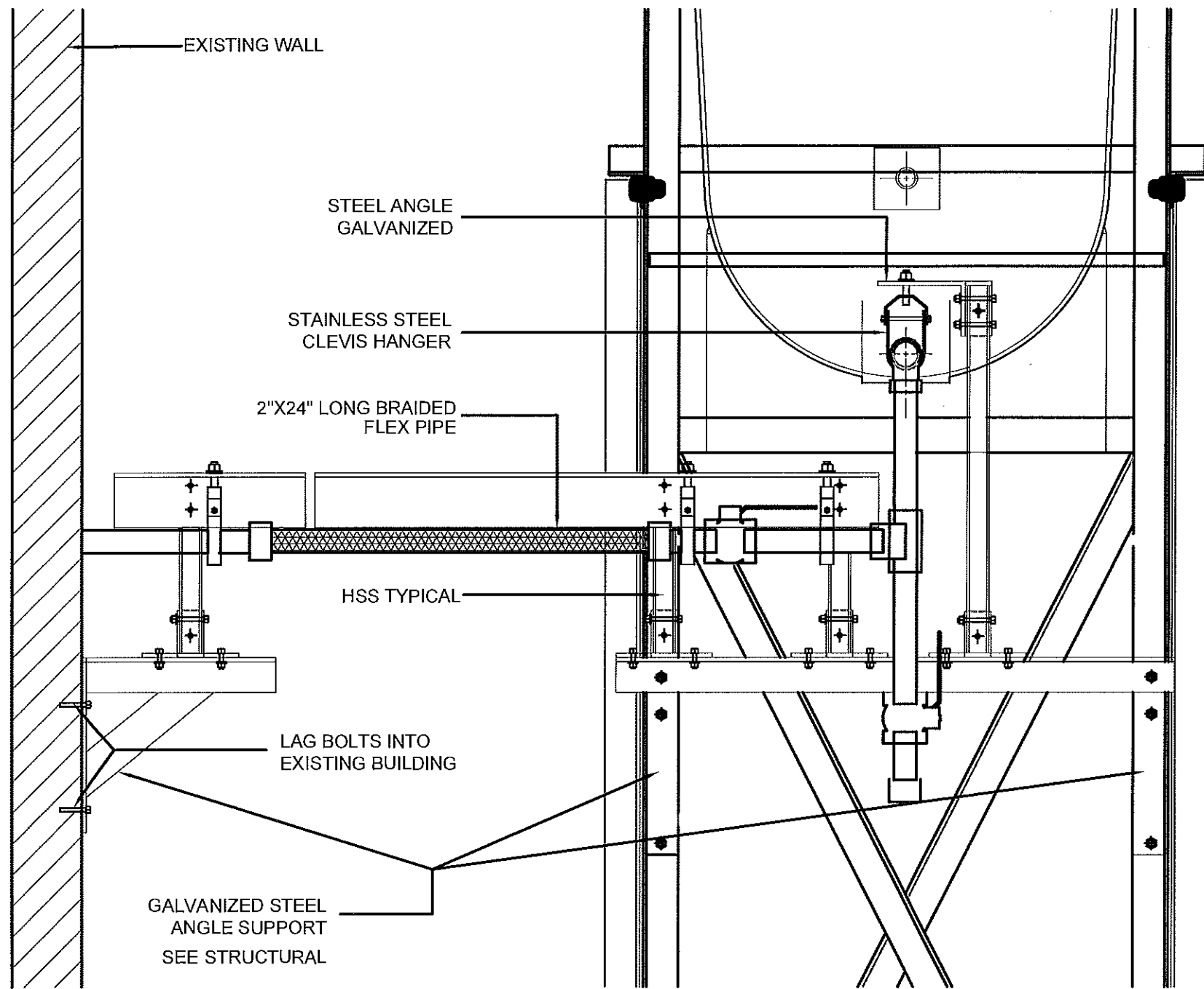
PROJECT TITLE:  
RCMP "V" DIVISION OIL TANK REPLACEMENT - ARCTIC BAY  
V102 - FACILITY BUILDING, ARCTIC BAY NU  
SHEET TITLE:  
TANK ELEVATIONS  
PROJECT NUMBER:  
16-028-14-30

00	ISSUED FOR TENDER	18 05 18	JLS
REV. #	REVISION	DATE (YY MM DD)	REV. BY

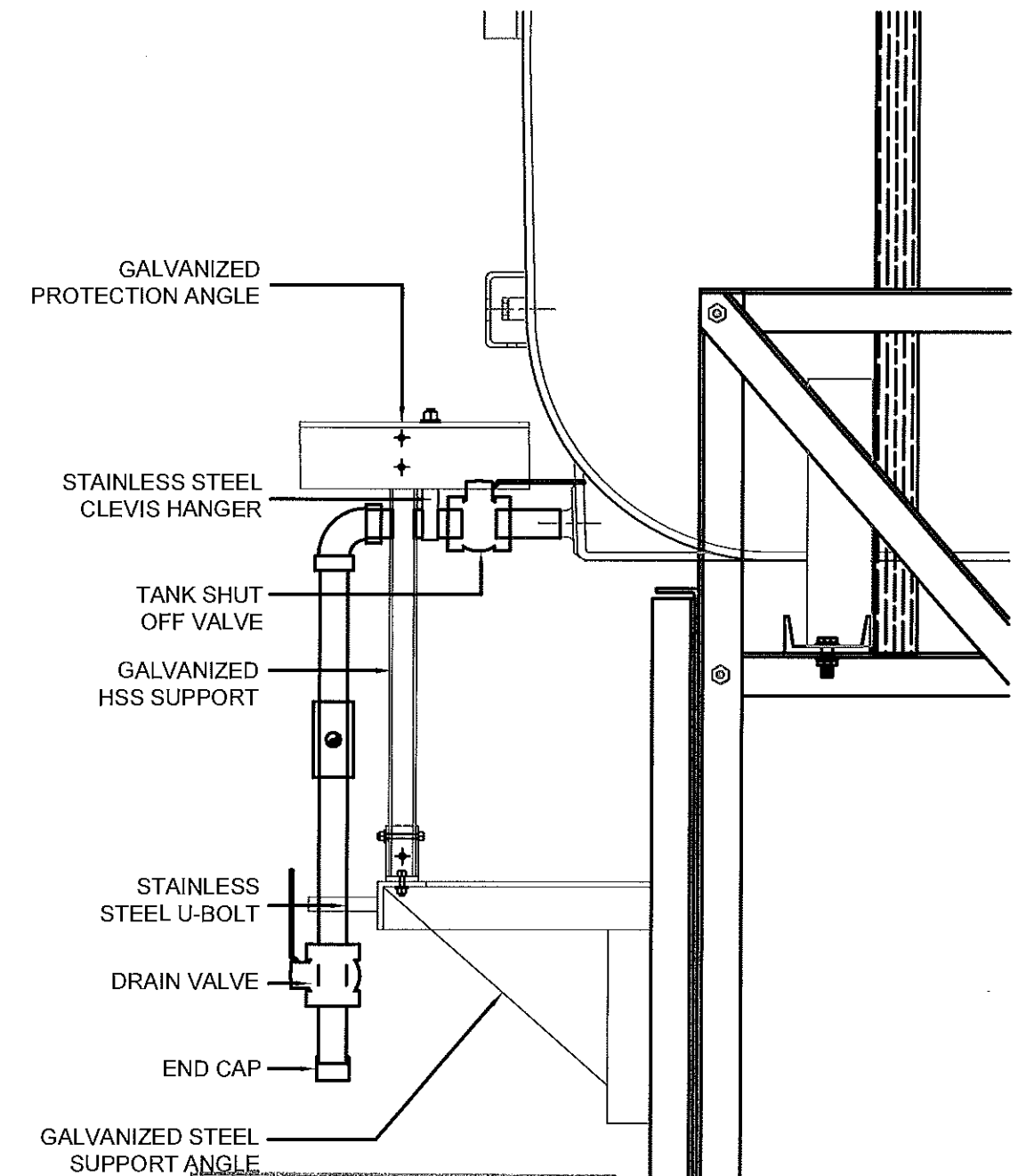
REV. #	REVISION	DATE (YY MM DD)	REV. BY

SCALE:  
AS NOTED  
DATE (YY MM DD):  
17 06 09

DRAWING NUMBER:  
**M2.0**  
REVISION NUMBER:  
00

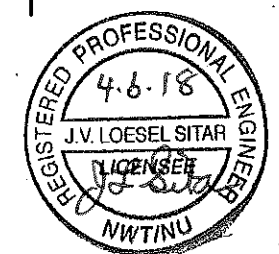


01 FRONT VIEW  
M2.1 SCALE: 1 1/2"=1'-0"



02 SIDE VIEW  
M2.1 SCALE: 1 1/2"=1'-0"

PERMIT TO PRACTICE  
CAN-TEC SERVICES LTD.  
Signature J.L. Sitar  
Date 4.6.18  
PERMIT NUMBER: P 647  
NWT/NU Association of Professional  
Engineers and Geoscientists



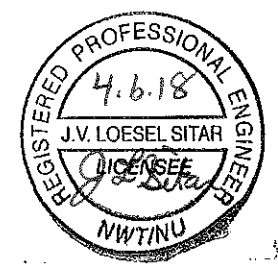
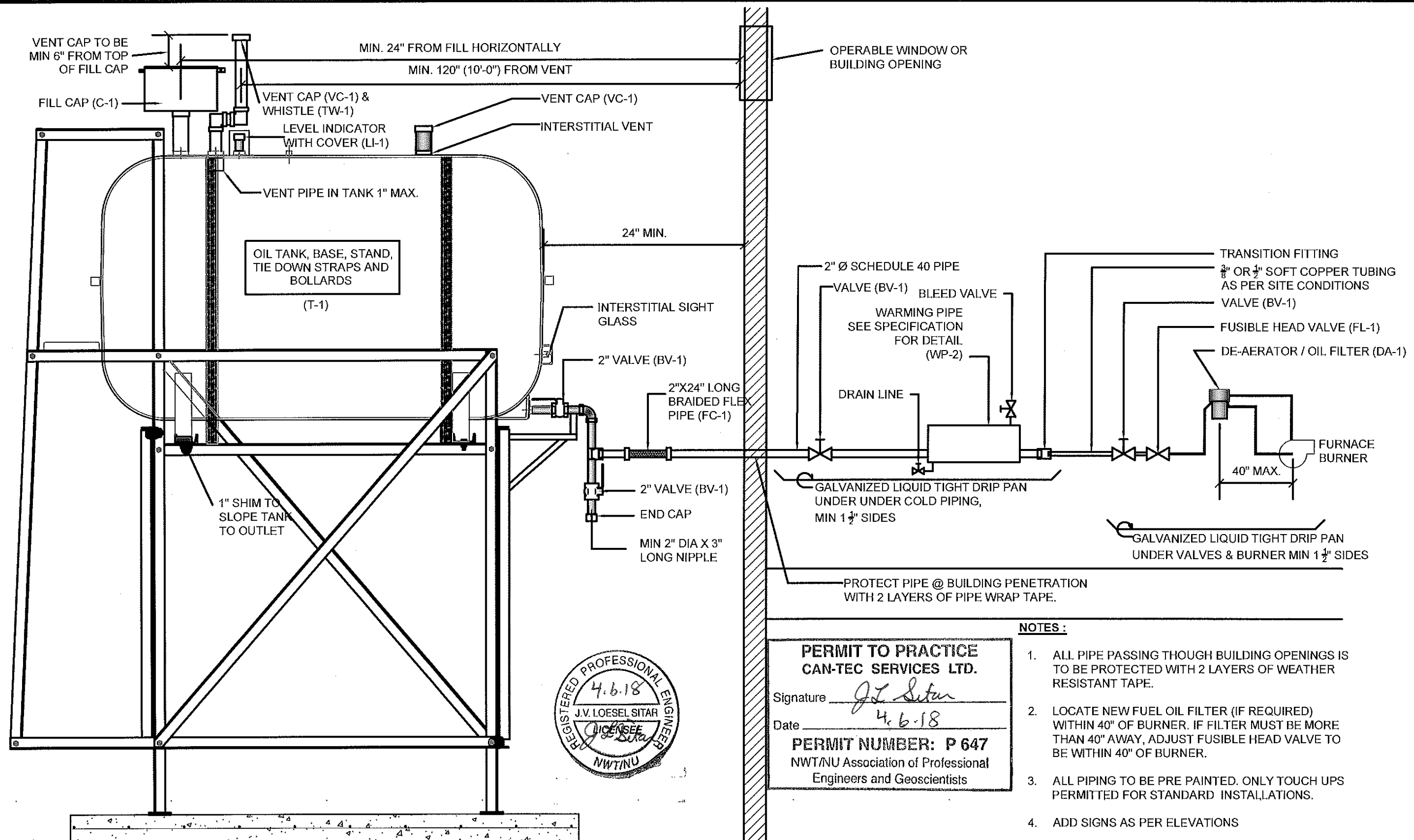
PROJECT TITLE:  
RCMP "V" DIVISION OIL TANK REPLACEMENT - ARCTIC BAY  
V102 - FACILITY BUILDING, ARCTIC BAY NU  
SHEET TITLE:  
2" FUEL LINE SUPPORT DETAILS  
PROJECT NUMBER:  
16-028-14-30

00	ISSUED FOR TENDER	18 05 18	JLS
REV. #	REVISION	DATE (YY MM DD)	REV. BY

REV. #	REVISION	DATE (YY MM DD)	REV. BY
--------	----------	-----------------	---------

SCALE:  
AS NOTED  
DATE (YY MM DD):  
17 06 09

DRAWING NUMBER:  
**M2.1**  
REVISION NUMBER:  
00



**PERMIT TO PRACTICE**  
**CAN-TEC SERVICES LTD.**  
 Signature J.V. Loesel Sitar  
 Date 4.6.18  
**PERMIT NUMBER: P 647**  
 NWT/NU Association of Professional  
 Engineers and Geoscientists

**NOTES:**

1. ALL PIPE PASSING THOUGH BUILDING OPENINGS IS TO BE PROTECTED WITH 2 LAYERS OF WEATHER RESISTANT TAPE.
2. LOCATE NEW FUEL OIL FILTER (IF REQUIRED) WITHIN 40" OF BURNER. IF FILTER MUST BE MORE THAN 40" AWAY, ADJUST FUSIBLE HEAD VALVE TO BE WITHIN 40" OF BURNER.
3. ALL PIPING TO BE PRE PAINTED. ONLY TOUCH UPS PERMITTED FOR STANDARD INSTALLATIONS.
4. ADD SIGNS AS PER ELEVATIONS

01 SCHEMATIC - TANK, PIPING & ACCESSORIES : ON STAND  
 M3.0 SCALE: NTS



PROJECT TITLE:  
 RCMP "V" DIVISION OIL TANK REPLACEMENT - ARCTIC BAY  
 V102 - FACILITY BUILDING, ARCTIC BAY NU  
 SHEET TITLE:  
 SCHEMATIC - TANK, PIPING & ACCESSORIES  
 PROJECT NUMBER:  
 16-028-14-30

00	ISSUED FOR TENDER	18 05 18	JLS
REV. #	REVISION	DATE (YY MM DD)	REV. BY

REV. #	REVISION	DATE (YY MM DD)	REV. BY

SCALE:  
 AS NOTED  
 DATE (YY MM DD):  
 17 06 09

DRAWING NUMBER:  
**M3.0**  
 REVISION NUMBER:  
 00



# FUEL TANK REPAIR AND REPLACEMENT PROJECT HALL BEACH, NUNAVUT

## DRAWING LIST:

### V054 - GARAGE

M1.0 SITE PLAN AND CONSTRUCTION PLAN  
M2.0 TANK ELEVATIONS  
M2.1 2" FUEL LINE SUPPORT DETAILS

### V053 - RESIDENCE

M1.0 SITE PLAN AND CONSTRUCTION PLAN  
M1.1 DETAILS

### V055 - RESIDENCE

M1.0 DEMOLITION AND CONSTRUCTION PLAN  
M2.0 TANK ELEVATIONS  
M2.1 2" FUEL LINE SUPPORT DETAIL  
M3.0 SCHEMATIC

### V058 - FACILITY BUILDING

M1.0 CONSTRUCTION PLAN  
M2.0 TANK ELEVATIONS  
M2.1 2" FUEL LINE SUPPORT DETAIL

### STRUCTURAL DRAWING LIST

S1 STRUCTURAL PROJECT NOTES  
S2 TYP TANK SLAB, BOLLARD AND BASE PLATE DETAILS AND ISOMETRIC VIEW OF METAL STAND  
S3 CONNECTION #1 DETAILS  
S4 CONNECTION #2 DETAILS  
S5 TANK #1 - PLAN VIEW OF TANK ON SLAB  
S6 TANK #1 - PLAN VIEW OF TANK ON SLAB  
S7 TANK #2 - PLAN VIEW OF TANK ON LOW METAL STAND  
S8 TANK #2 - ELEVATIONS OF LOW METAL STAND  
S9 TANK #2 - ELEVATIONS OF LOW METAL STAND  
S10 TANK #3 - PLAN VIEW OF TANK ON HIGH METAL STAND  
S11 TANK #3 - ELEVATIONS OF HIGH METAL STAND  
S12 TANK #3 - ELEVATIONS OF HIGH METAL STAND  
S13 TANK #4 - PLAN VIEW OF TANK ON LOW DOUBLE METAL STAND  
S14 TANK #4 - ELEVATIONS OF LOW DOUBLE METAL STAND  
S15 TANK #4 - ELEVATIONS OF LOW DOUBLE METAL STAND  
S16 TANK #5 - PLAN VIEW OF TANK ON HIGH DOUBLE METAL STAND  
S17 TANK #5 - ELEVATIONS OF HIGH DOUBLE METAL STAND  
S18 TANK #5 - ELEVATIONS OF HIGH DOUBLE METAL STAND



PROJECT TITLE:  
RCMP "V" DIVISION OIL TANK REPLACEMENT - HALL BEACH  
SHEET TITLE:  
TITLE PAGE  
PROJECT NUMBER:  
16-028-14-30

00 ISSUED FOR TENDER 18 05 18 JLS  
REV. # | REVISION | DATE (YY MM DD) | REV. BY

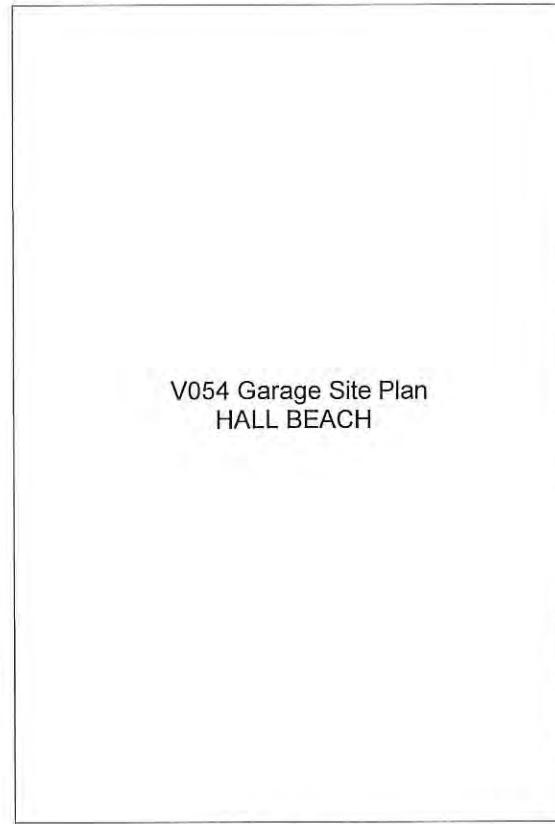
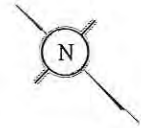
REV. # | REVISION | DATE (YY MM DD) | REV. BY

SCALE:  
AS NOTED  
DATE (YY MM DD):  
17 06 09

DRAWING NUMBER:

M0.0

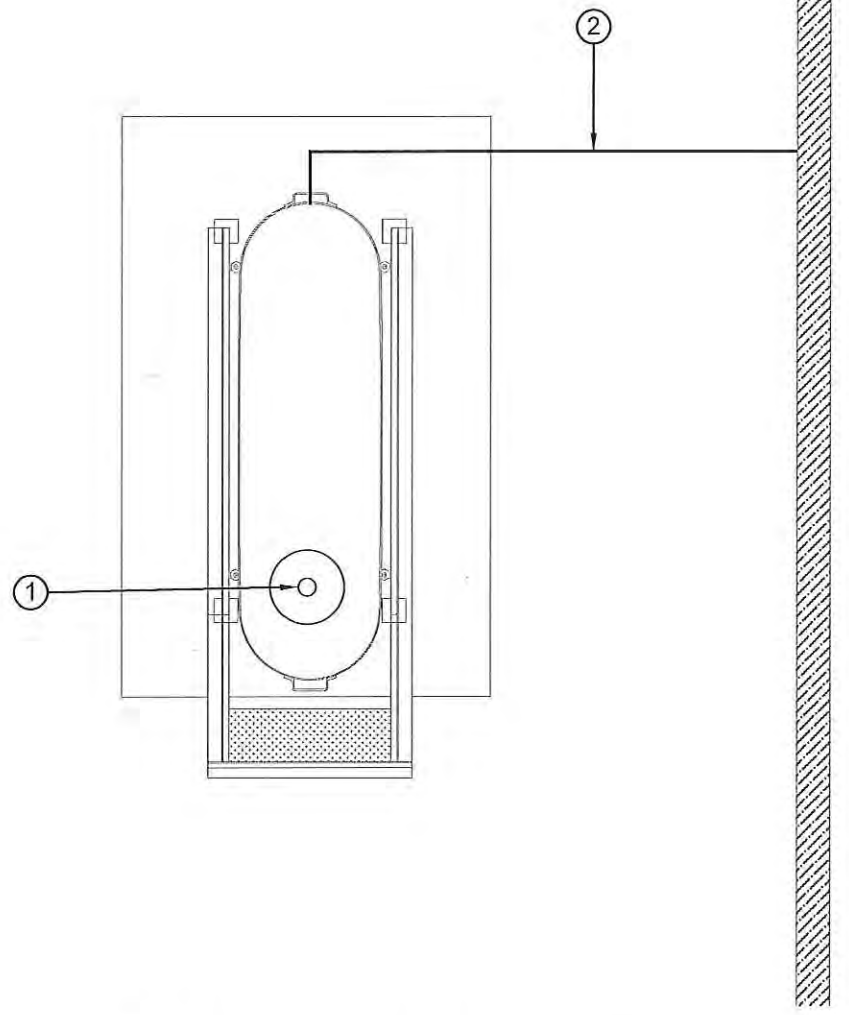
REVISION NUMBER:  
00



FRONT

01 SITE PLAN  
M1.0 SCALE: NTS

**PERMIT TO PRACTICE**  
**CAN-TEC SERVICES LTD.**  
Signature J. V. Loesel Sitar  
Date 4.6.18  
**PERMIT NUMBER: P 647**  
NWT/NU Association of Professional  
Engineers and Geoscientists



01 CONSTRUCTION PLAN  
M1.0 SCALE: NTS



CONSTRUCTION NOTES: #

- 1. INSTALL NEW FILL CAP
- 2. MODIFY EXISTING STAND TO SUPPORT NEW STEEL ANGLE PIPING PROTECTION SYSTEM. SEE PAGES M2.0 AND M2.1 FOR DETAILS. EXISTING SUPPLY PIPE TO BUILDING TO REMAIN

EXTERIOR REPAIR NOTES:

- 1. PAINT ALL PIPING AT OUTSIDE OF BUILDING.



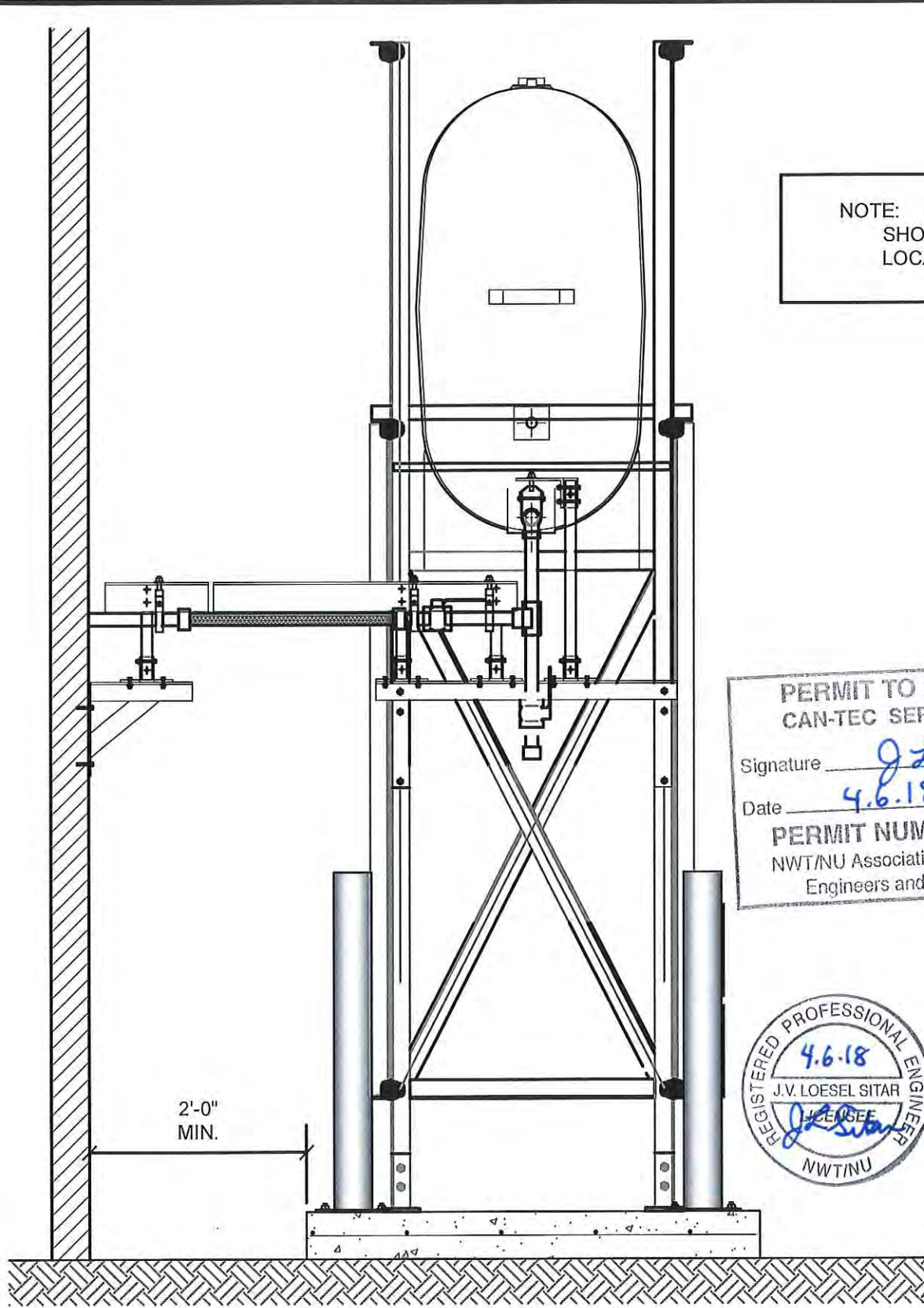
PROJECT TITLE:  
RCMP "V" DIVISION OIL TANK REPLACEMENT - HALL BEACH  
V054 - GARAGE, HALL BEACH  
SHEET TITLE:  
SITE PLAN AND CONSTRUCTION PLAN  
PROJECT NUMBER:  
16-028-14-30

00	ISSUED FOR TENDER	18 05 18	JLS
REV. #	REVISION	DATE (YY MM DD)	REV. BY

REV. #	REVISION	DATE (YY MM DD)	REV. BY
--------	----------	-----------------	---------

SCALE:  
AS NOTED  
DATE (YY MM DD):  
17 06 09

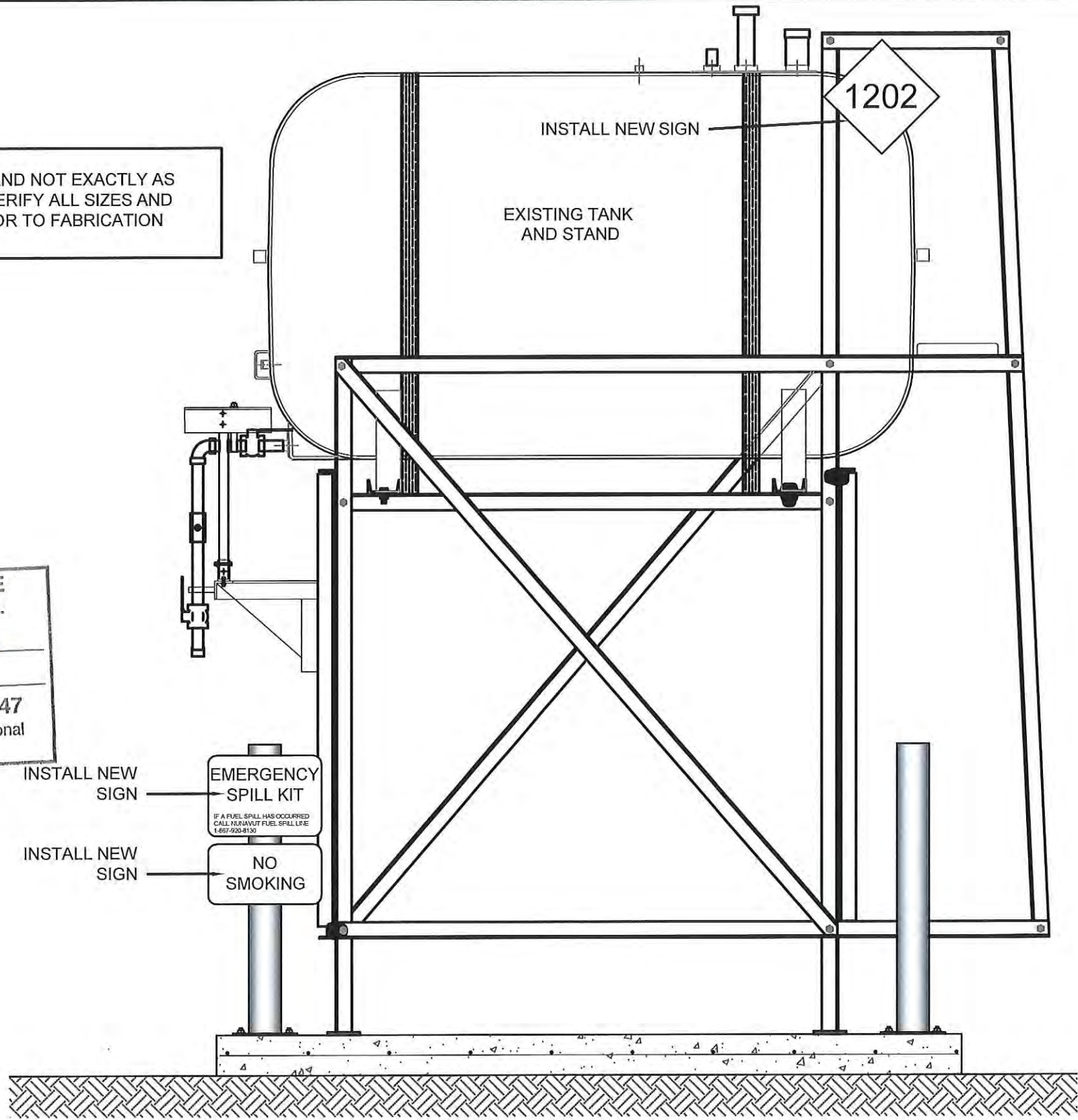
DRAWING NUMBER:  
**M1.0**  
REVISION NUMBER:  
00



01 OIL TANK ELEVATION - A  
M2.0 SCALE: 3/4"-1'-0"

NOTE: STEEL STAND NOT EXACTLY AS SHOWN. SITE VERIFY ALL SIZES AND LOCATIONS PRIOR TO FABRICATION

PERMIT TO PRACTICE  
CAN-TEC SERVICES LTD.  
Signature *J. V. Loesel Sitar*  
Date 4.6.18  
PERMIT NUMBER: P 647  
NWT/NU Association of Professional  
Engineers and Geoscientists



02 OIL TANK ELEVATION - B  
M2.0 SCALE: 3/4"-1'-0"



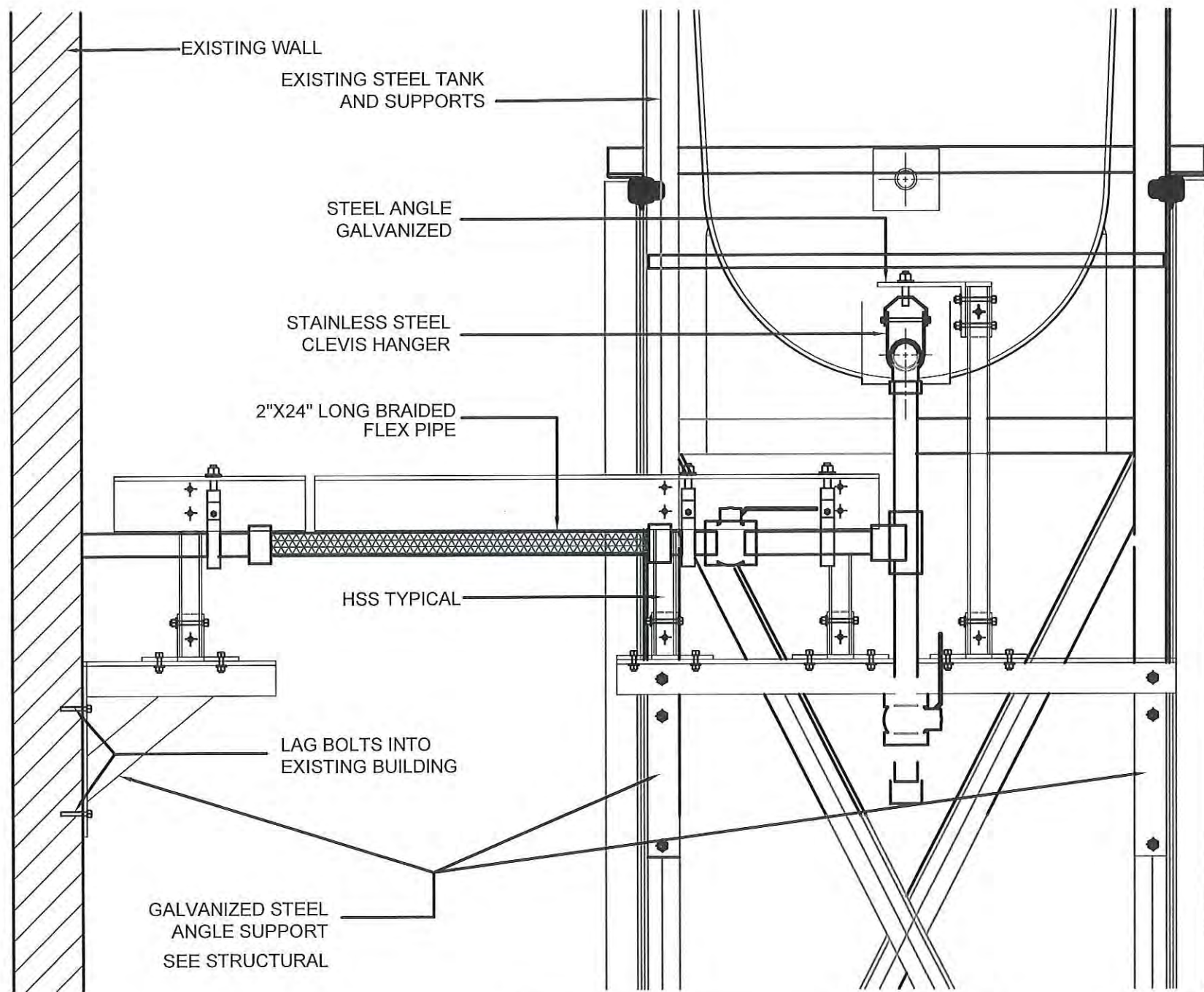
PROJECT TITLE:  
RCMP "V" DIVISION OIL TANK REPLACEMENT - HALL BEACH  
V054 - GARAGE, HALL BEACH  
SHEET TITLE:  
TANK ELEVATIONS  
PROJECT NUMBER:  
16-028-14-30

00 ISSUED FOR TENDER 18 05 18 JLS  
REV. # | REVISION | DATE (YY MM DD) | REV. BY

REV. # | REVISION | DATE (YY MM DD) | REV. BY

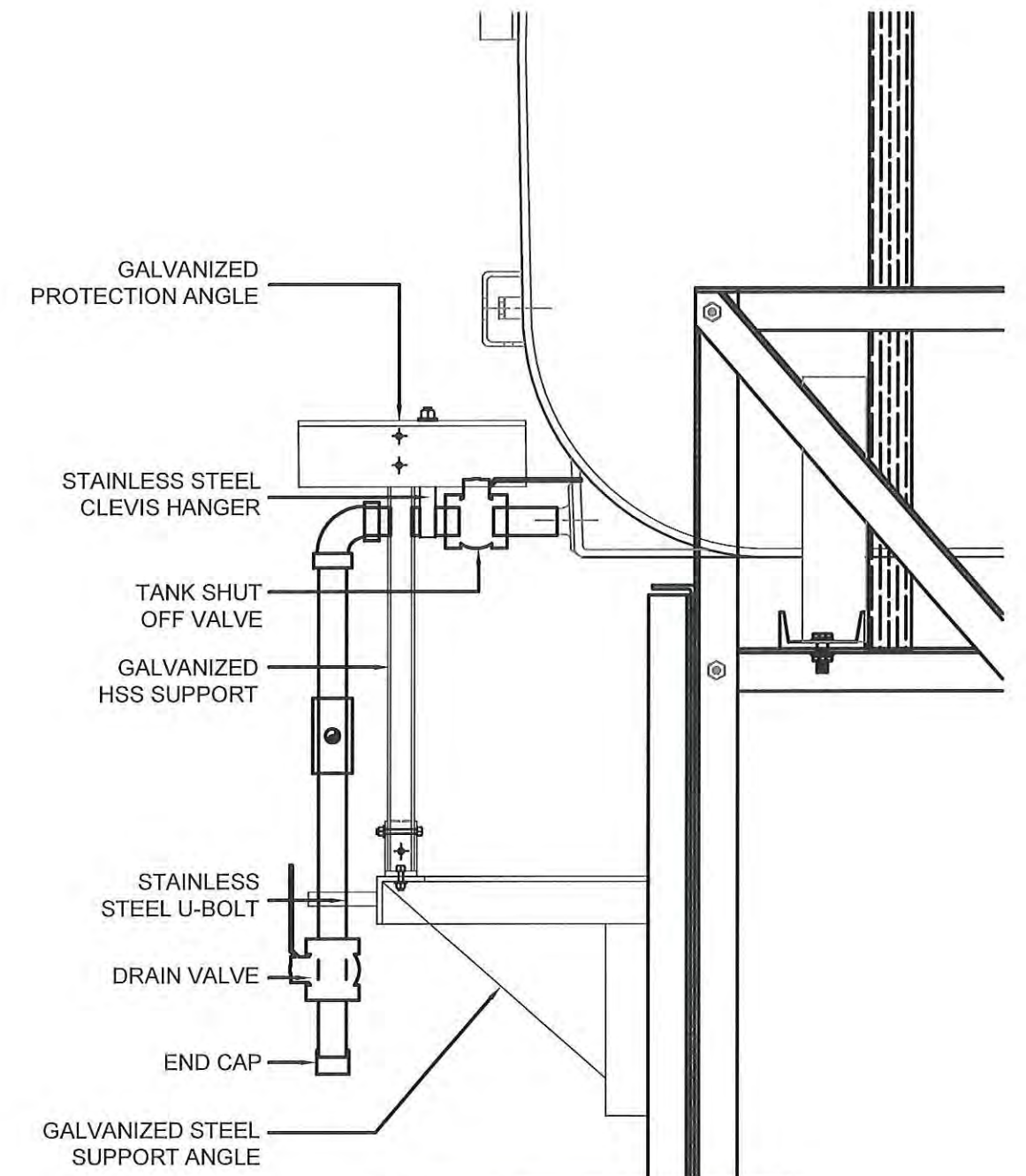
SCALE:  
AS NOTED  
DATE (YY MM DD):  
17 06 09

DRAWING NUMBER:  
M2.0  
REVISION NUMBER:  
00



01 FRONT VIEW  
M2.1 SCALE: 1 1/2"-1'-0"

NOTE: STEEL STAND NOT EXACTLY AS SHOWN. SITE VERIFY ALL SIZES AND LOCATIONS PRIOR TO FABRICATION



02 SIDE VIEW  
M2.1 SCALE: 1 1/2"-1'-0"

PERMIT TO PRACTICE  
CAN-TEC SERVICES LTD.  
Signature J.F. Sitar  
Date 4-6-18  
PERMIT NUMBER: P 647  
NWT/NU Association of Professional  
Engineers and Geoscientists



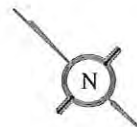
PROJECT TITLE:  
RCMP "V" DIVISION OIL TANK REPLACEMENT - HALL BEACH  
V054 - GARAGE, HALL BEACH  
SHEET TITLE:  
2" FUEL LINE SUPPORT DETAIL  
PROJECT NUMBER:  
16-028-14-30

REV. #	REVISION	DATE (YY MM DD)	REV. BY
00	ISSUED FOR TENDER	18 05 18	JLS

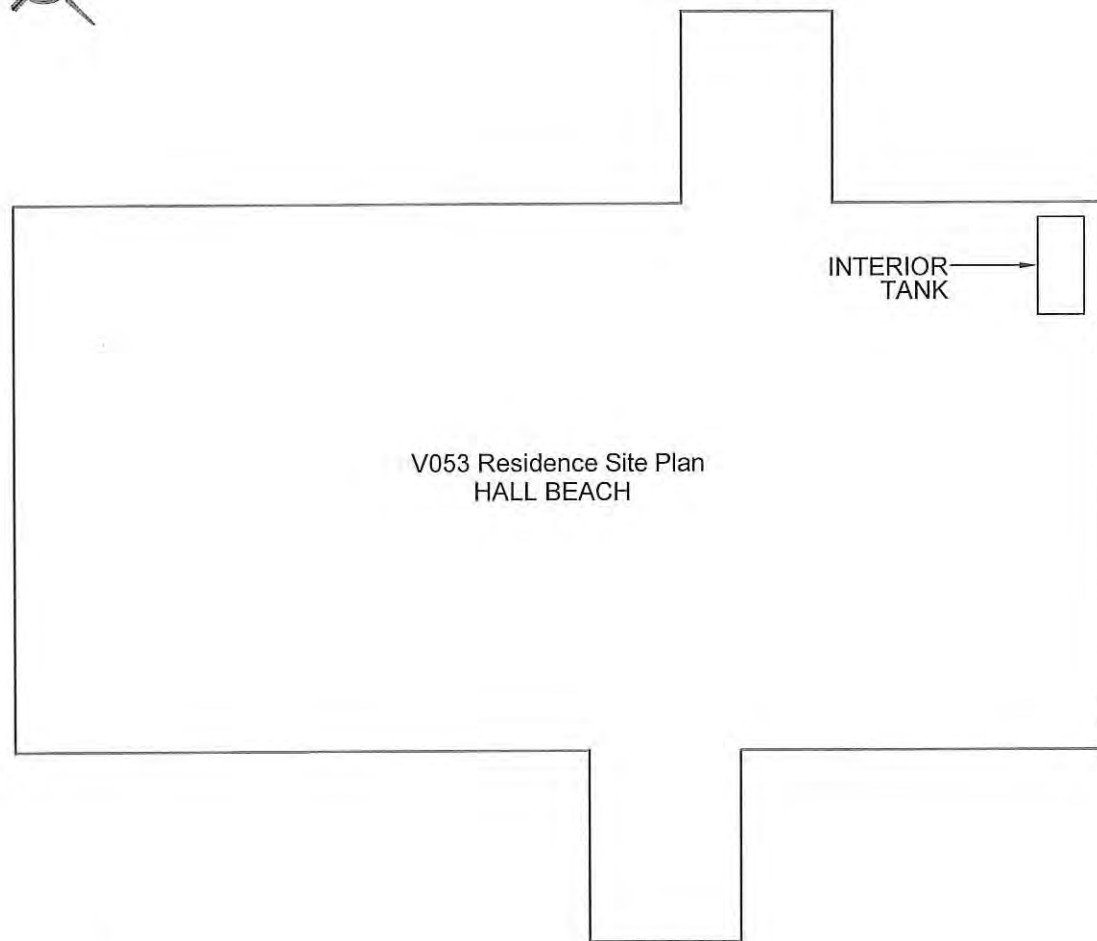
REV. #	REVISION	DATE (YY MM DD)	REV. BY

SCALE:  
AS NOTED  
DATE (YY MM DD):  
17 06 09

DRAWING NUMBER:  
**M2.1**  
REVISION NUMBER:  
00



FRONT



V053 Residence Site Plan  
HALL BEACH

INTERIOR  
TANK

01 SITE PLAN  
M1.0 SCALE: NTS

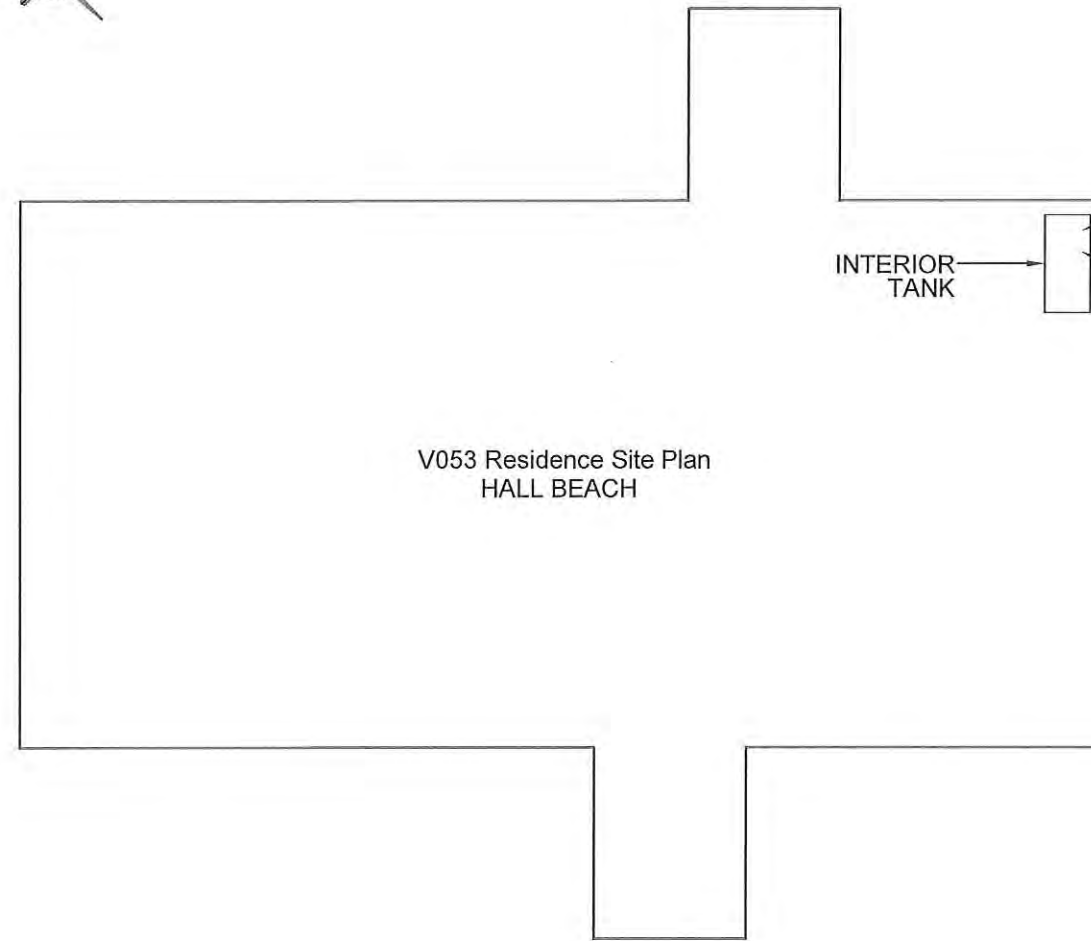
PERMIT TO PRACTICE  
CAN-TEC SERVICES LTD.

Signature J. Loesel  
Date 4.6.18

PERMIT NUMBER: P 647  
NWT/NU Association of Professional  
Engineers and Geoscientists



FRONT



V053 Residence Site Plan  
HALL BEACH

INTERIOR  
TANK

02 CONSTRUCTION PLAN  
M1.0 SCALE: NTS

INTERIOR REPAIR NOTES: #

1. INSTALL NEW WEATHER TIGHT COVER ON FILL LINE AND SPILL CONTAINMENT COVER
2. INSTALL NEW TANK WHISTLE



PROJECT TITLE:  
RCMP "V" DIVISION OIL TANK REPLACEMENT - HALL BEACH  
V053 - RESIDENCE  
SHEET TITLE:  
SITE PLAN AND CONSTRUCTION PLAN  
PROJECT NUMBER:  
16-028-14-30

00	ISSUED FOR TENDER	18 05 18	JLS
REV. #	REVISION	DATE (YY MM DD)	REV. BY

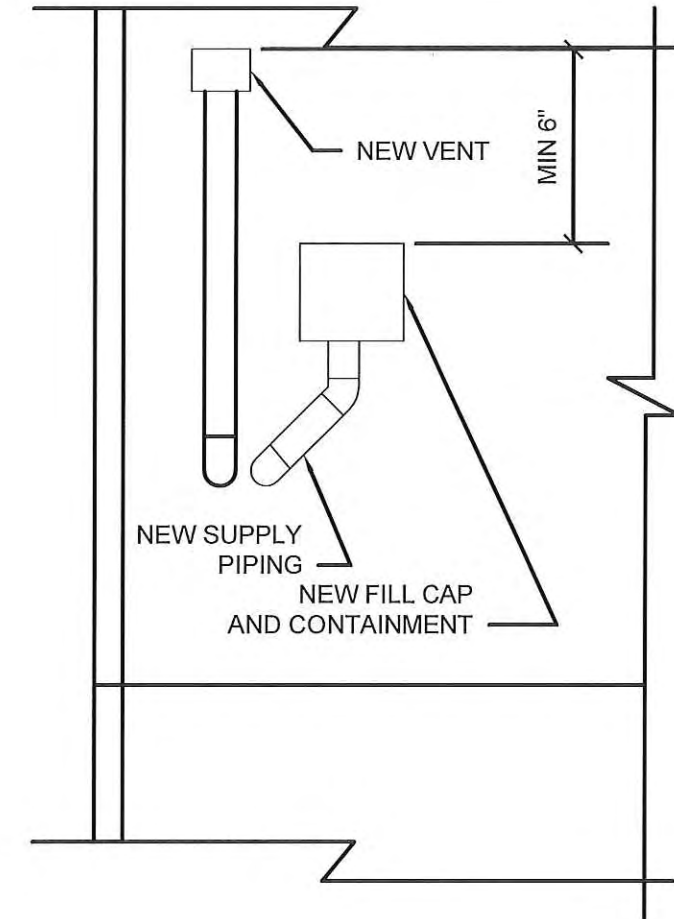
REV. #	REVISION	DATE (YY MM DD)	REV. BY
--------	----------	-----------------	---------

SCALE:  
AS NOTED  
DATE (YY MM DD):  
17 06 09

DRAWING NUMBER:  
**M1.0**  
REVISION NUMBER:  
00

INSTALL NEW VENT WHISTLE  
ON VENT LINE

REMOVE EXISTING FILL  
AND INSTALL NEW FILL LINE



01 EXTERIOR ELEVATION  
M1.1 SCALE: NTS

02 INTERIOR TANK ELEVATION  
M1.1 SCALE: NTS

03 EXTERIOR ELEVATION  
M1.1 SCALE: NTS

PERMIT TO PRACTICE  
CAN-TEC SERVICES LTD.  
Signature J.V. Loesel Sitar  
Date 4.6.18  
PERMIT NUMBER: P 647  
NWT/NU Association of Professional  
Engineers and Geoscientists



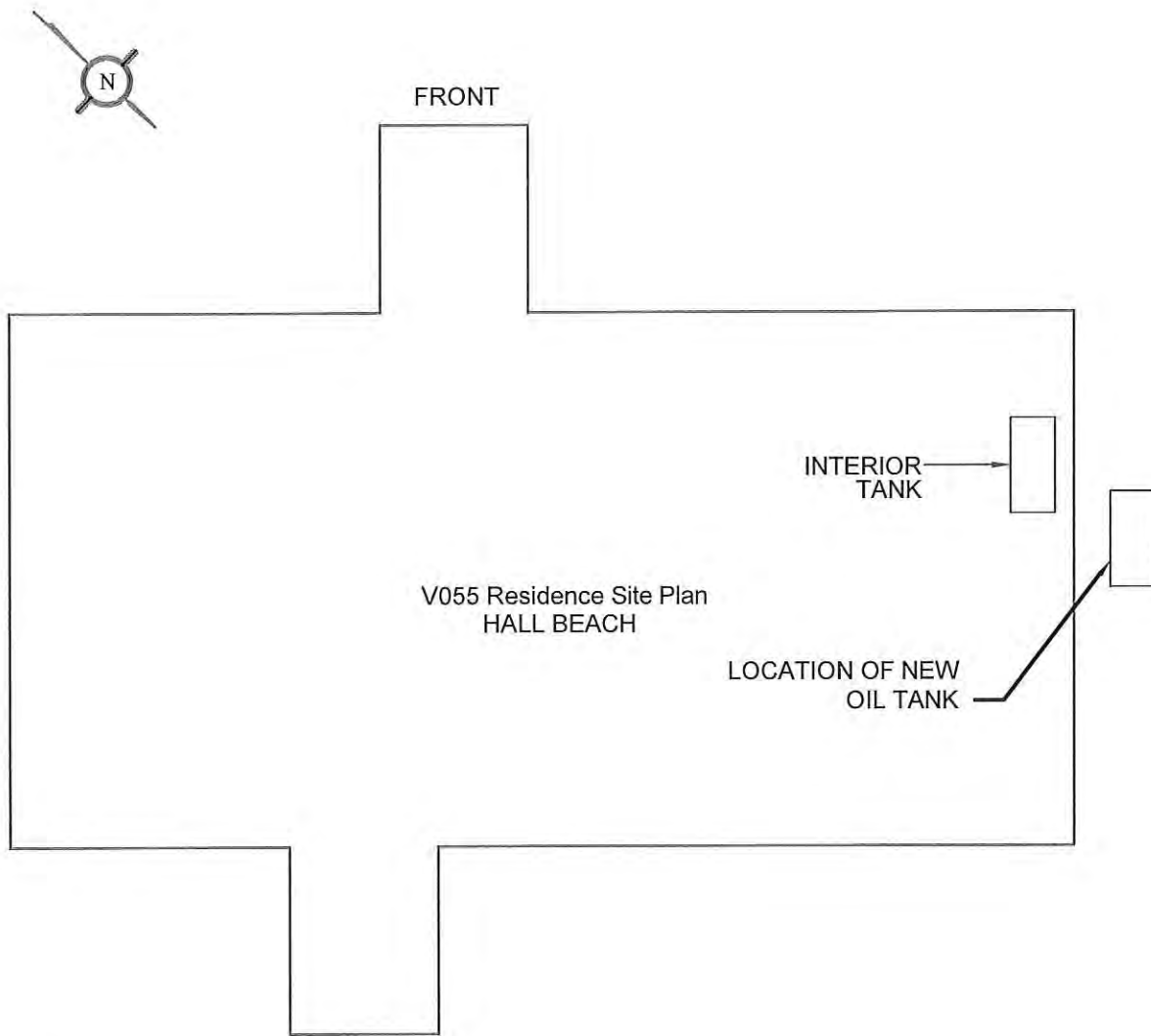
PROJECT TITLE:  
RCMP "V" DIVISION OIL TANK REPLACEMENT - HALL BEACH  
SHEET TITLE:  
V053 - RESIDENCE DETAILS  
PROJECT NUMBER:  
16-028-14-30

00 ISSUED FOR TENDER 18 05 18 JLS  
REV. # | REVISION | DATE (YY MM DD) | REV. BY

REV. # | REVISION | DATE (YY MM DD) | REV. BY

SCALE:  
AS NOTED  
DATE (YY MM DD):  
17 06 09

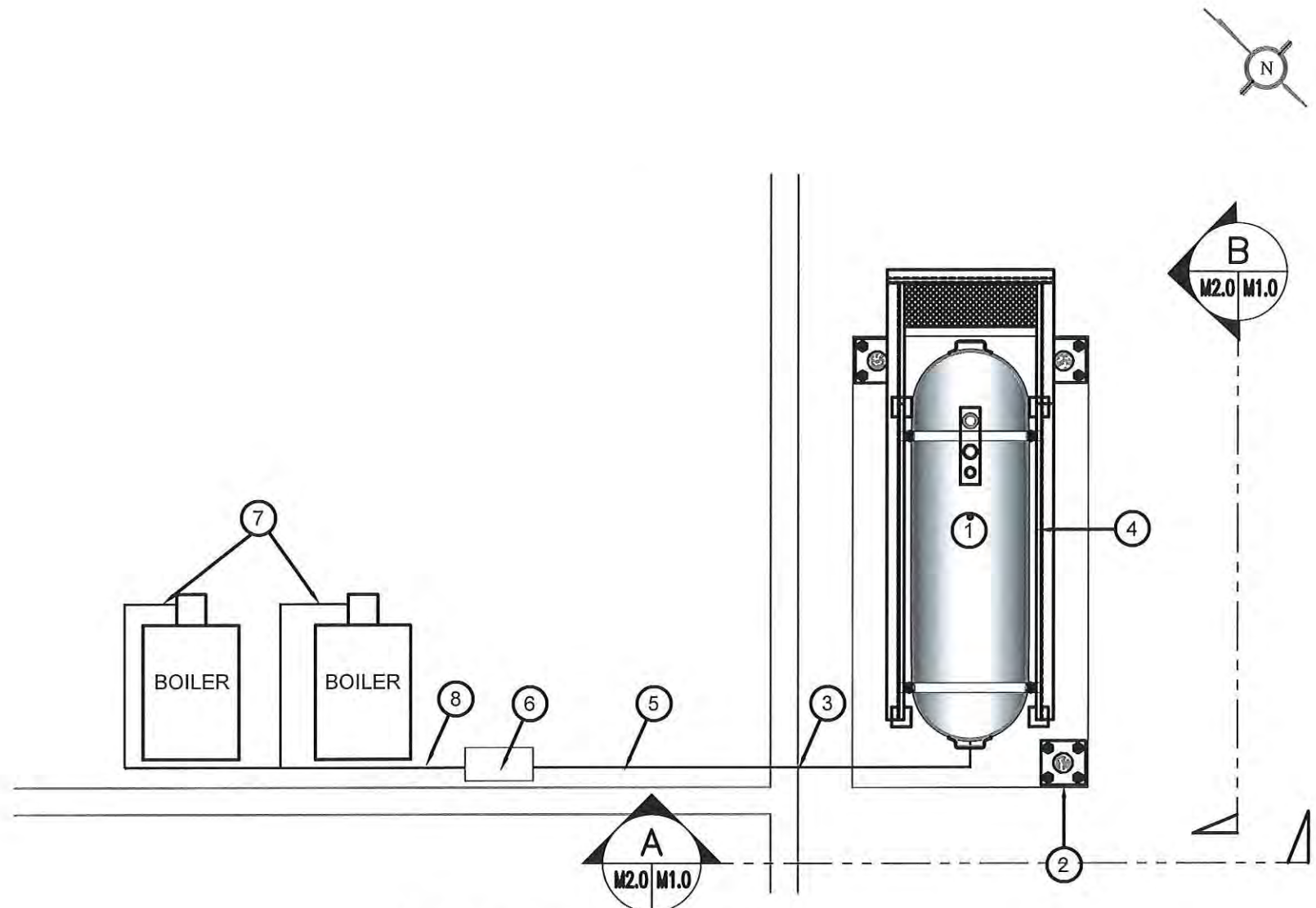
DRAWING NUMBER:  
M1.1  
REVISION NUMBER:  
00



01 DEMOLITION PLAN  
M1.0 SCALE: NTS

**DEMOLITION NOTES:**

1. REMOVE ALL FUEL FROM THE TANK AND DISPOSE OF AS PER LOCAL REGULATIONS.
2. REMOVE EXISTING OIL TANK AND DISPOSE OF AS PER LOCAL REGULATIONS.
3. SEAL ALL HOLES LEFT BY THE REMOVAL OF THE FUEL PIPING. MAKE GOOD.



02 CONSTRUCTION PLAN  
M1.0 SCALE: 3/8"=1'-0"

**CONSTRUCTION NOTES: #**

1. INSTALL NEW OIL TANK AND CONCRETE PAD. SEE SHEET M2.0.
2. INSTALL NEW BOLLARDS - SEE SHEET M2.0.
3. CAULK ENTRY INTO BUILDING.
4. INSTALL NEW OIL TANK STAND #2 - SEE STRUCTURAL FOR DETAILS.
5. INSTALL NEW 2"Ø PIPING
6. NEW WARMING PIPE (WP-2)
7. NEW ACCESSORIES FOR BOILER SEE SHEET M3.0 FOR DETAILS
8. NEW 1"Ø PIPE

**PERMIT TO PRACTICE**  
**CAN-TEC SERVICES LTD.**  
Signature *J.L. Sitar*  
Date *4.6.18*  
**PERMIT NUMBER: P 647**  
NWT/NU Association of Professional  
Engineers and Geoscientists



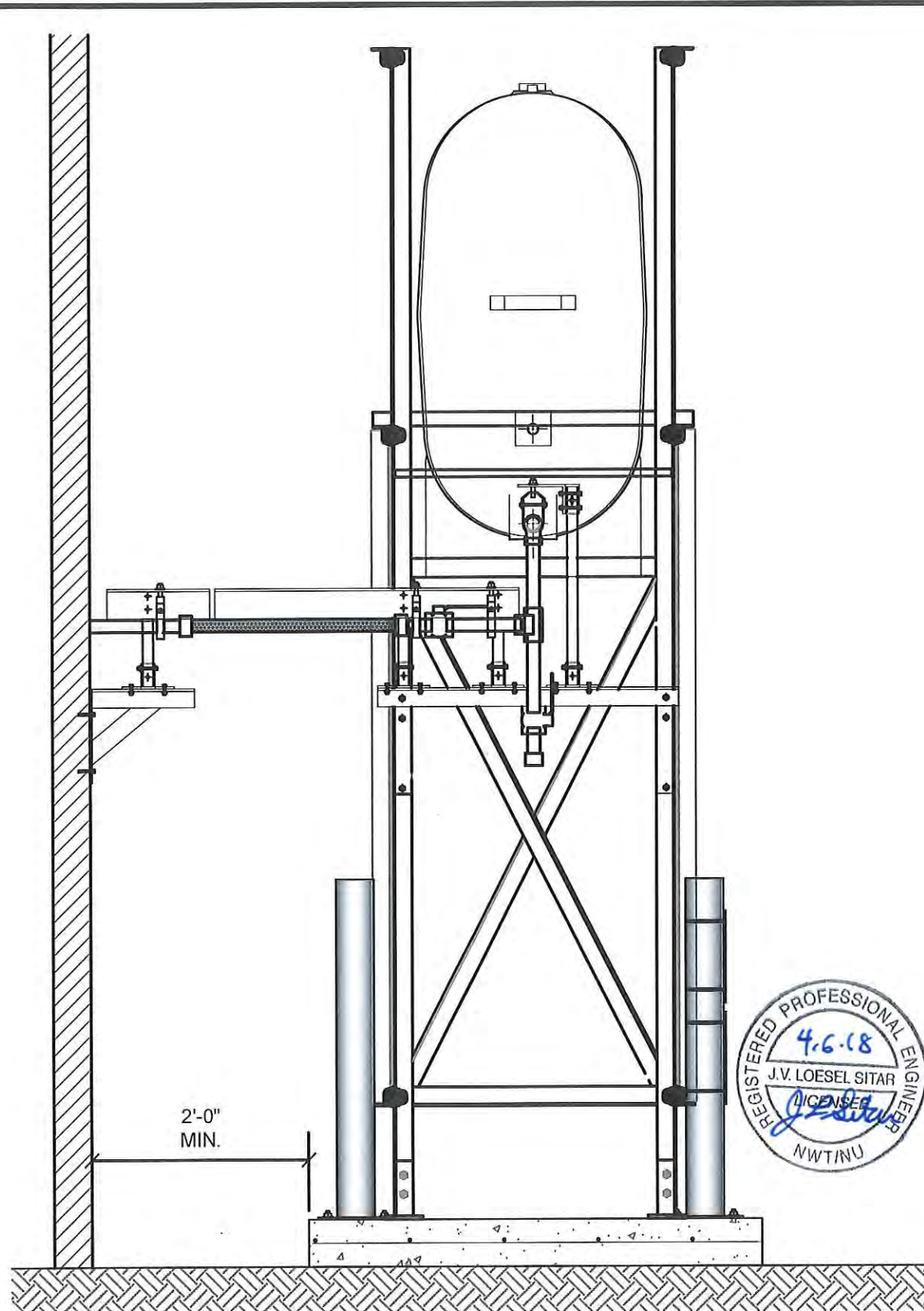
PROJECT TITLE:  
RCMP "V" DIVISION OIL TANK REPLACEMENT - HALL BEACH  
V055 - RESIDENCE  
SHEET TITLE:  
DEMOLITION AND CONSTRUCTION PLAN  
PROJECT NUMBER:  
16-028-14-30

00	ISSUED FOR TENDER	18 05 18	JLS
REV. #	REVISION	DATE (YY MM DD)	REV. BY

REV. #	REVISION	DATE (YY MM DD)	REV. BY
--------	----------	-----------------	---------

SCALE:  
AS NOTED  
DATE (YY MM DD):  
17 06 09

DRAWING NUMBER:  
**M1.0**  
REVISION NUMBER:  
00

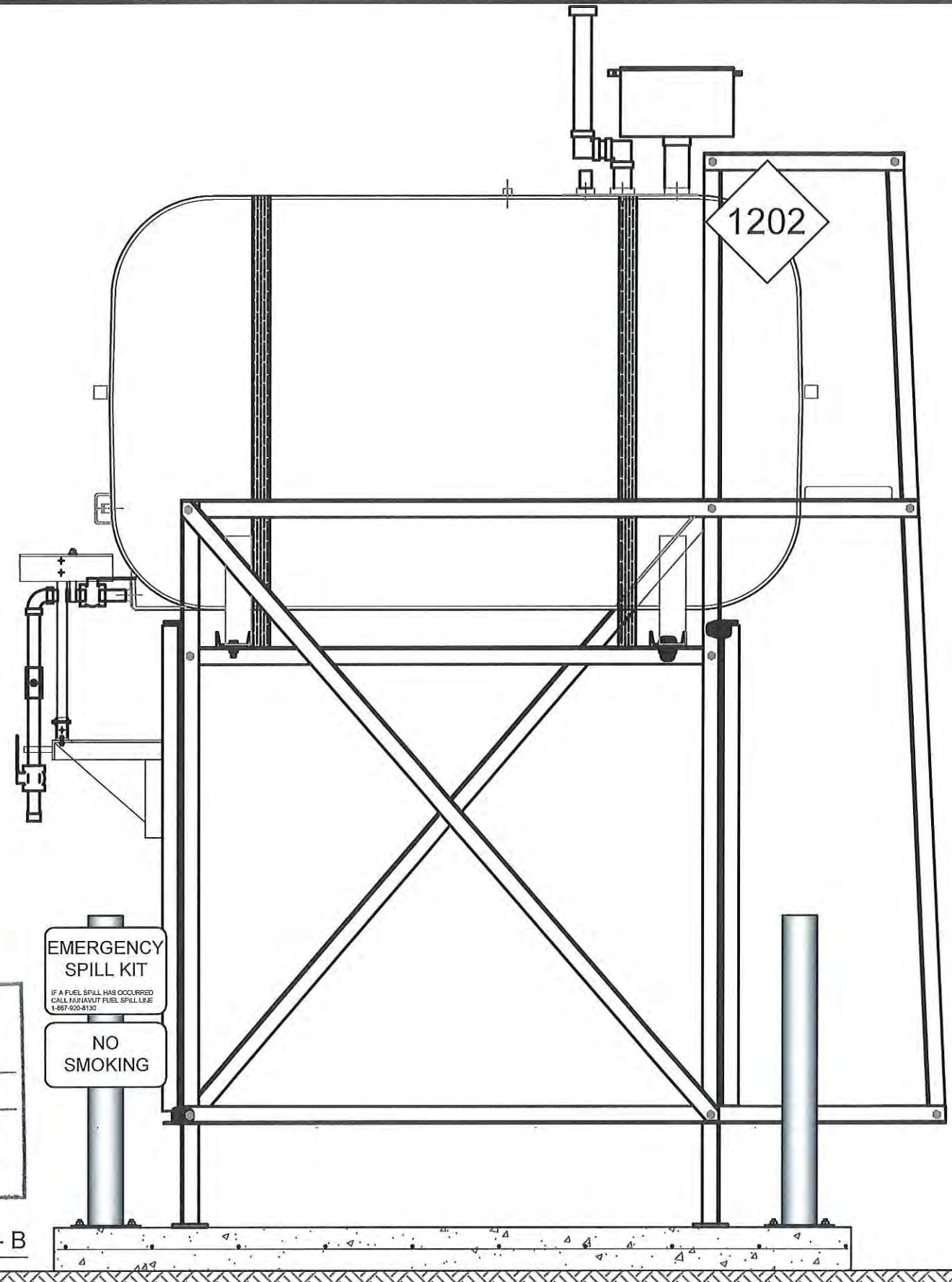


01 OIL TANK ELEVATION - A  
M2.0 SCALE: 3/4"-1'-0"



PERMIT TO PRACTICE  
CAN-TEC SERVICES LTD.  
Signature *J. Loesel Sitar*  
Date 4.6.18  
PERMIT NUMBER: P 647  
NWT/NU Association of Professional  
Engineers and Geoscientists

02 OIL TANK ELEVATION - B  
M2.0 SCALE: 3/4"-1'-0"



EMERGENCY  
SPILL KIT  
IF A FUEL SPILL HAS OCCURRED  
CALL NEAREST FUEL SPILLER  
1-887-520-8130  
NO  
SMOKING



PROJECT TITLE:  
RCMP "V" DIVISION OIL TANK REPLACEMENT - HALL BEACH  
V055 - RESIDENCE, HALL BEACH  
SHEET TITLE:  
TANK ELEVATIONS  
PROJECT NUMBER:  
16-028-14-30

00	ISSUED FOR TENDER	18 05 18	JLS
REV. #	REVISION	DATE (YY MM DD)	REV. BY

REV. #	REVISION	DATE (YY MM DD)	REV. BY
--------	----------	-----------------	---------

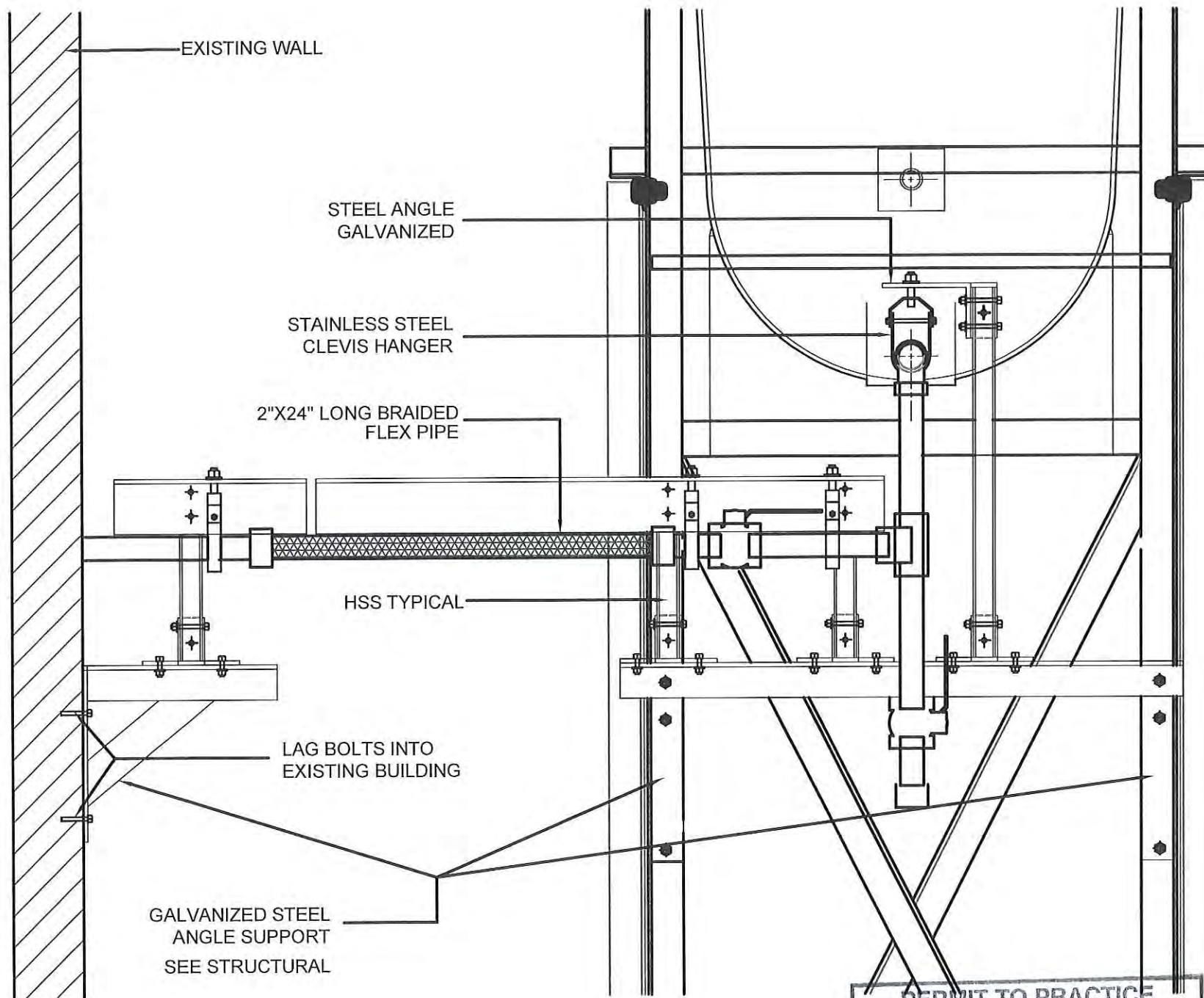
SCALE:  
AS NOTED  
DATE (YY MM DD):  
17 06 09

DRAWING NUMBER:

M2.0

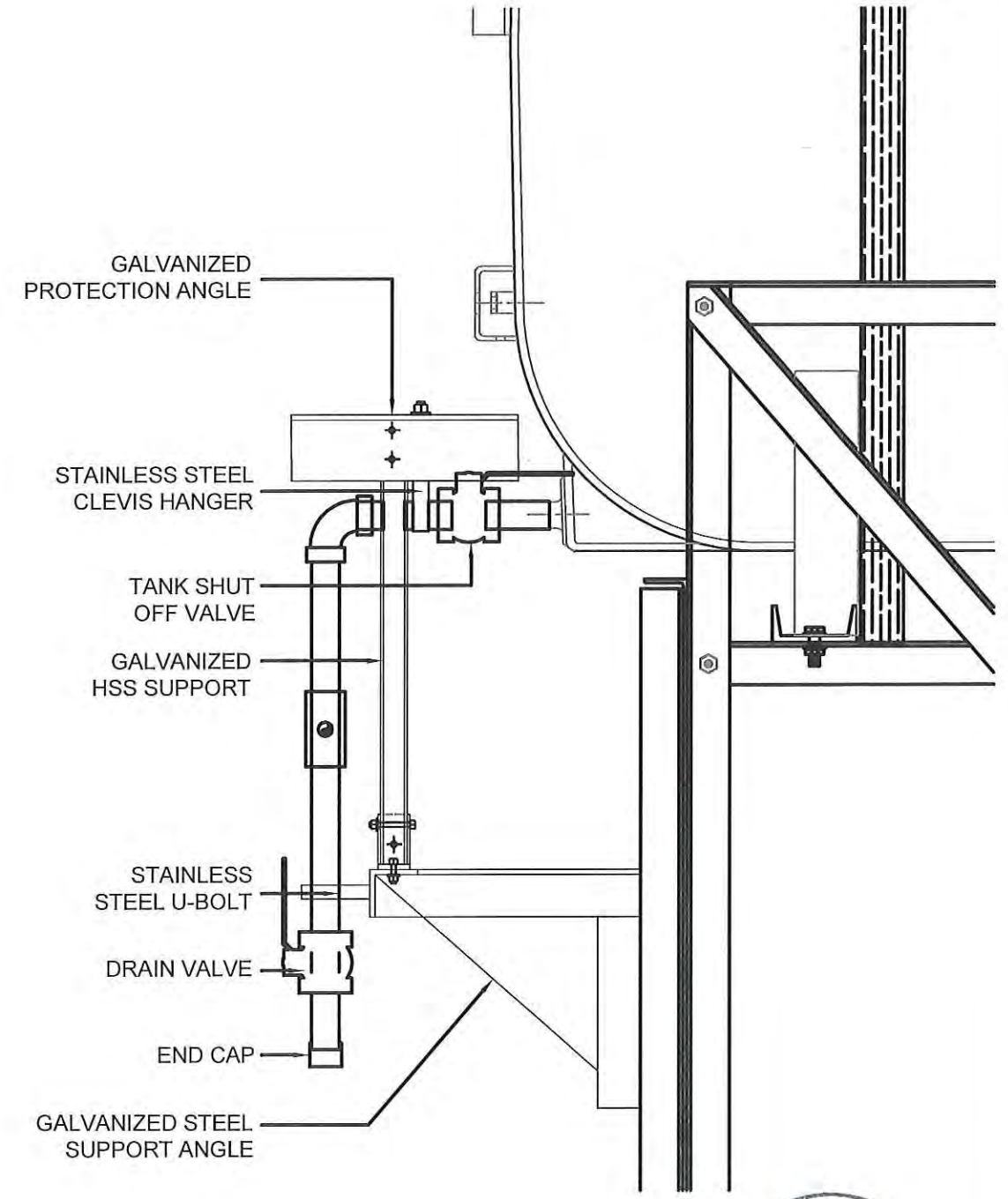
REVISION NUMBER:  
00





01 FRONT VIEW  
M2.1 SCALE: 1 1/2"-1'-0"

PERMIT TO PRACTICE  
CAN-TEC SERVICES LTD.  
Signature *J.L. Sitar*  
Date *4.6.18*  
PERMIT NUMBER: P 647  
NWT/NU Association of Professional  
Engineers and Geoscientists



02 SIDE VIEW  
M2.1 SCALE: 1 1/2"-1'-0"



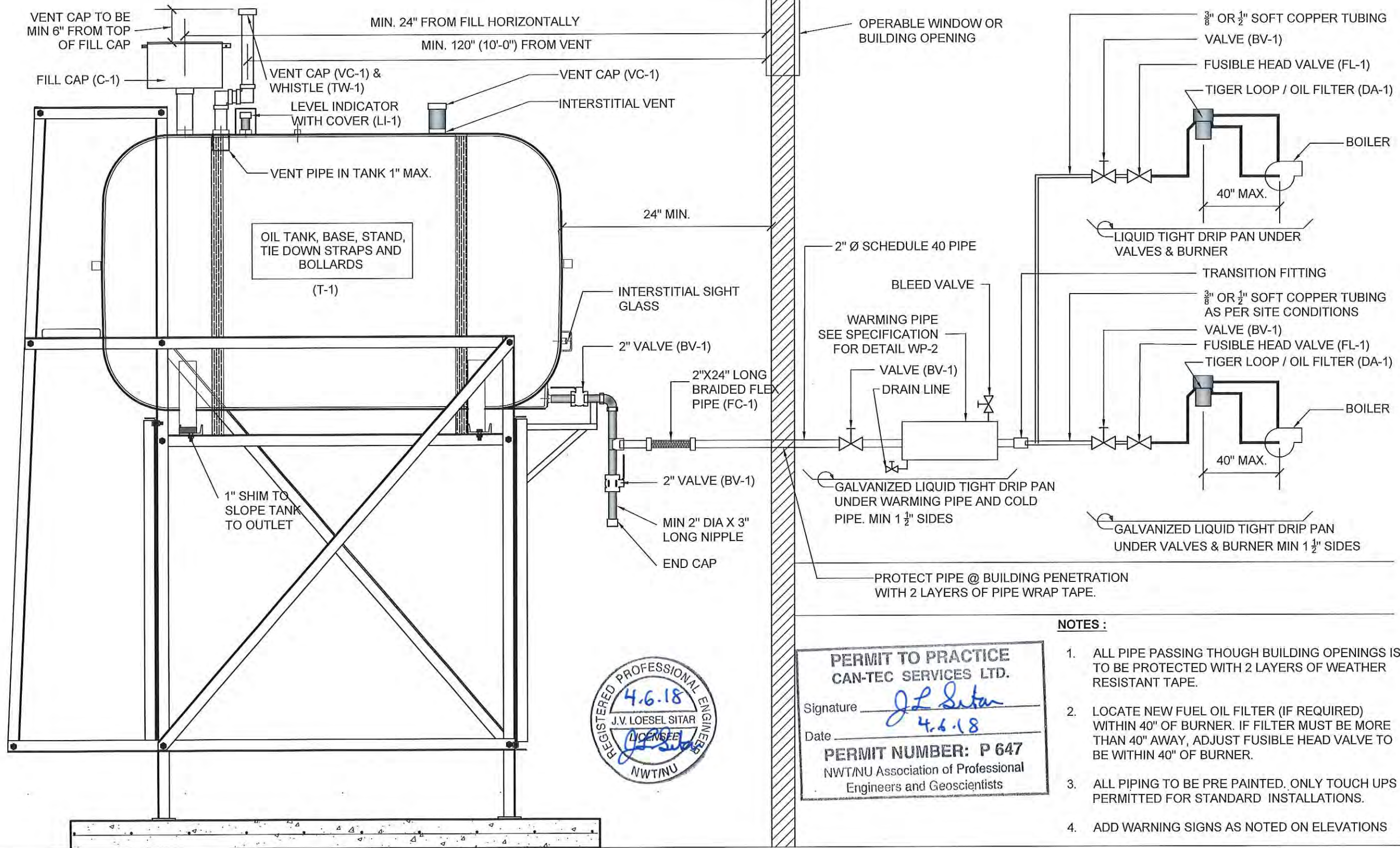
PROJECT TITLE:  
RCMP "V" DIVISION OIL TANK REPLACEMENT  
V055 - RESIDENCE, HALL BEACH  
SHEET TITLE:  
2" FUEL LINE SUPPORT DETAIL  
PROJECT NUMBER:  
16-028-14-30

REV. #	REVISION	DATE (YY MM DD)	REV. BY
00	ISSUED FOR TENDER	18 05 18	JLS

REV. #	REVISION	DATE (YY MM DD)	REV. BY

SCALE:  
AS NOTED  
DATE (YY MM DD):  
17 06 09

DRAWING NUMBER:  
**M2.1**  
REVISION NUMBER:  
00



**PERMIT TO PRACTICE**  
**CAN-TEC SERVICES LTD.**  
 Signature J.L. Sitar  
 Date 4.6.18  
**PERMIT NUMBER: P 647**  
 NWT/NU Association of Professional  
 Engineers and Geoscientists

**NOTES :**

1. ALL PIPE PASSING THOUGH BUILDING OPENINGS IS TO BE PROTECTED WITH 2 LAYERS OF WEATHER RESISTANT TAPE.
2. LOCATE NEW FUEL OIL FILTER (IF REQUIRED) WITHIN 40" OF BURNER. IF FILTER MUST BE MORE THAN 40" AWAY, ADJUST FUSIBLE HEAD VALVE TO BE WITHIN 40" OF BURNER.
3. ALL PIPING TO BE PRE PAINTED. ONLY TOUCH UPS PERMITTED FOR STANDARD INSTALLATIONS.
4. ADD WARNING SIGNS AS NOTED ON ELEVATIONS

**1** SCHEMATIC - TANK PIPING & ACCESSORIES : ON STAND  
 M3.0 SCALE: NTS



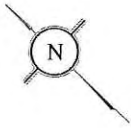
PROJECT TITLE  
 RCMP "V" DIVISION OIL TANK REPLACEMENT - HALL BEACH  
 V055 - RESIDENCE, HALL BEACH  
 SHEET TITLE  
 SCHEMATIC  
 PROJECT NUMBER  
 16-028-14-30

00	ISSUED FOR TENDER	18 05 18	JLS
REV. #	REVISION	DATE (YY MM DD)	REV. BY

REV. #	REVISION	DATE (YY MM DD)	REV. BY

SCALE:  
 AS NOTED  
 DATE (YY MM DD):  
 17 06 09

DRAWING NUMBER:  
**M3.0**  
 REVISION NUMBER:  
 00



INSTALL NEW PIPE SUPPORT

INSTALL NEW PIPE SUPPORT

INSTALL NEW PIPE SUPPORT

01 TANK - ELEVATION  
M1.0 SCALE: NTS

**CONSTRUCTION NOTES:**

1. REMOVE EXISTING FILL CAP AND INSTALL NEW WEATHER TIGHT FILL CAP
2. ADJUST PIPING TO INSTALL NEW PIPE SUPPORTS AND PROTECTION AS SHOWN ON SHEETS M2.0 AND M2.1

PERMIT TO PRACTICE  
CAN-TEC SERVICES LTD.

Signature J. Loesel Sitar  
Date 4.6.18

PERMIT NUMBER: P 647  
NWT/NU Association of Professional  
Engineers and Geoscientists



PROJECT TITLE:  
RCMP "V" DIVISION OIL TANK REPLACEMENT - HALL BEACH  
V058 - DETACHMENT, HALL BEACH

SHEET TITLE:  
CONSTRUCTION PLAN

PROJECT NUMBER:  
16-028-14-30

00	ISSUED FOR TENDER	18 05 18	JLS
REV. #	REVISION	DATE (YY MM DD)	REV. BY

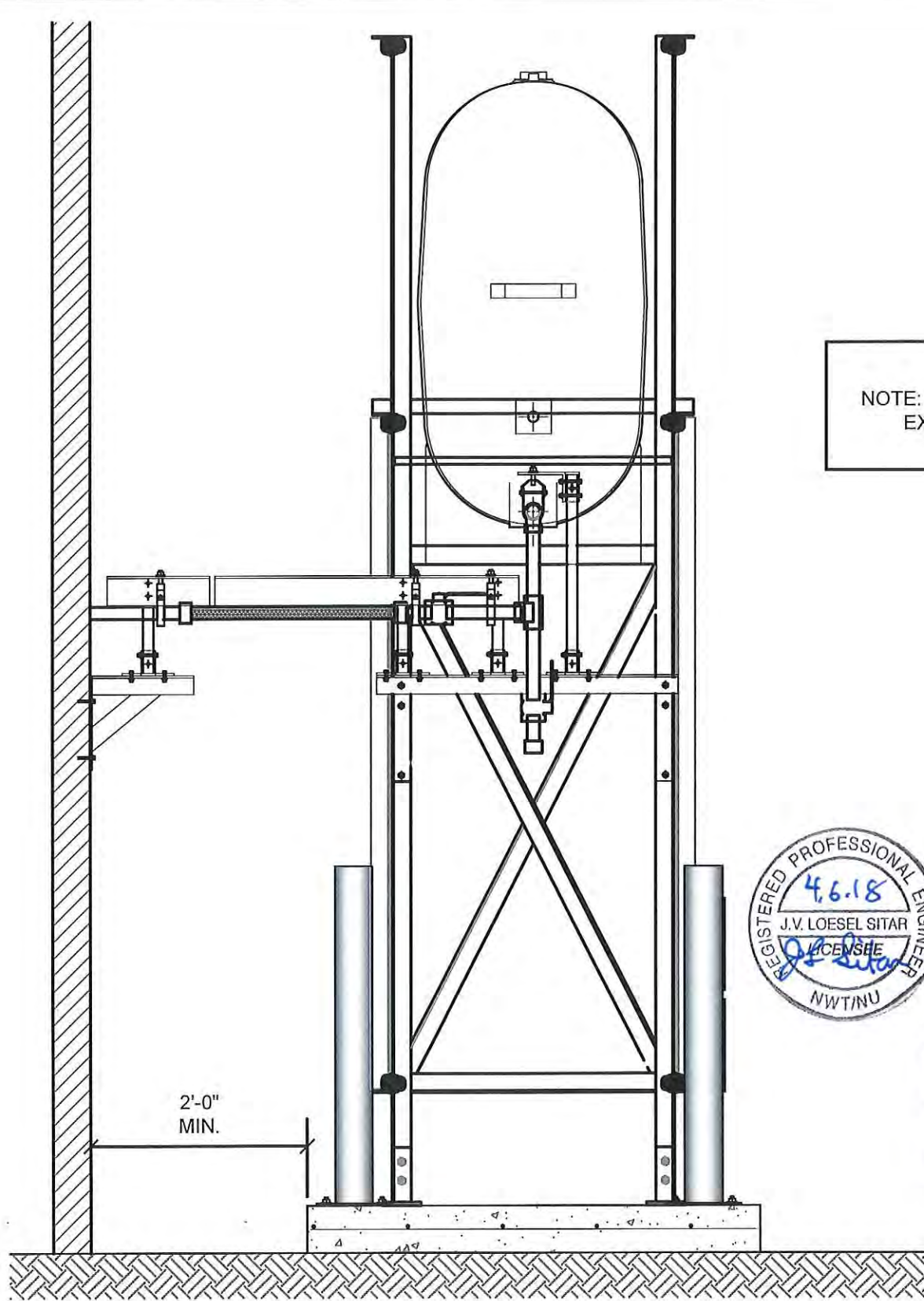
REV. #	REVISION	DATE (YY MM DD)	REV. BY
--------	----------	-----------------	---------

SCALE:  
AS NOTED

DATE (YY MM DD):  
17 03 03

DRAWING NUMBER:  
**M1.0**

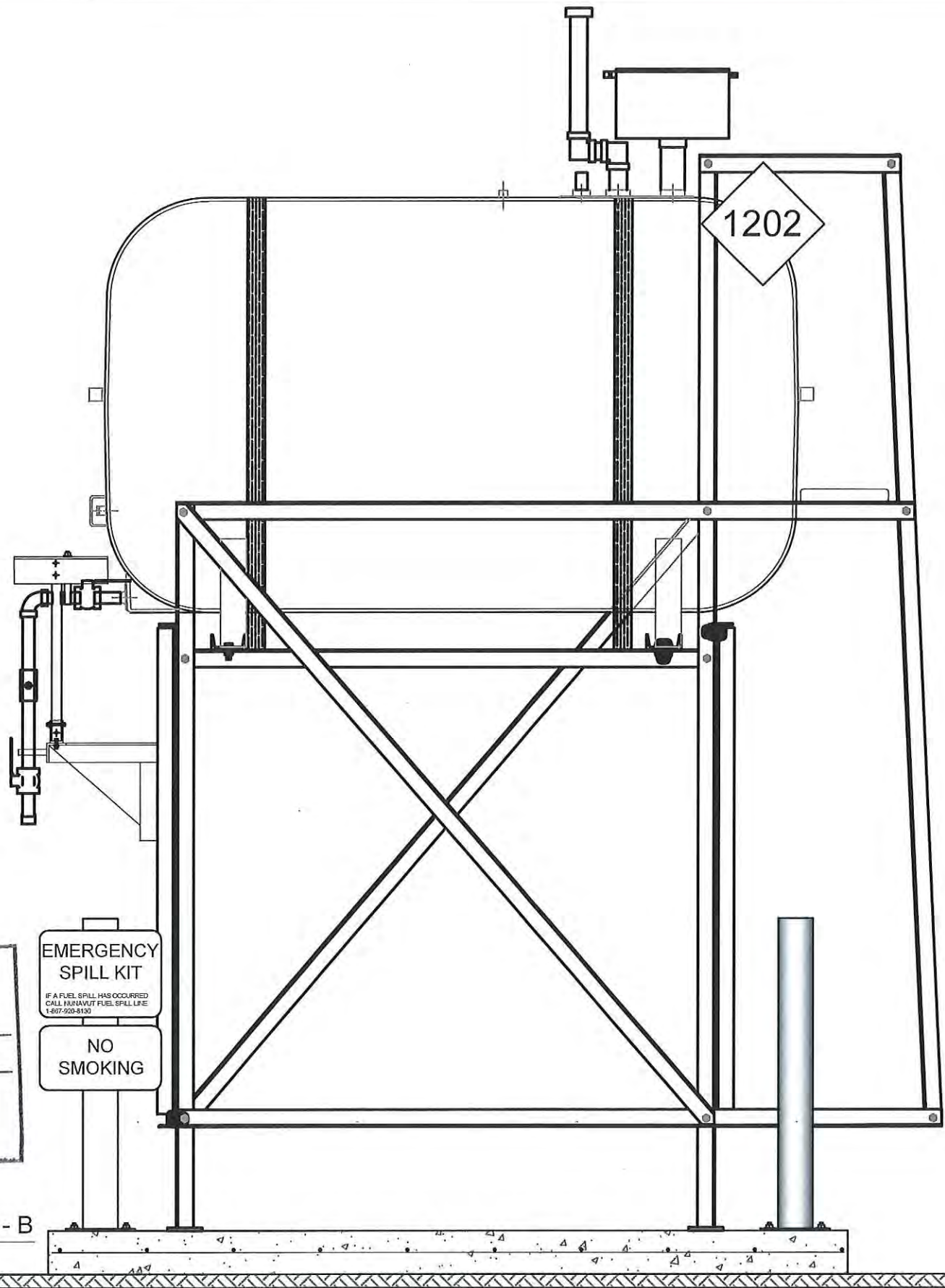
REVISION NUMBER:  
00



NOTE: STEEL STAND NOT EXACTLY AS SHOWN.



**PERMIT TO PRACTICE**  
**CAN-TEC SERVICES LTD.**  
 Signature J.V. Loesel Sitar  
 Date 4.6.18  
**PERMIT NUMBER: P 647**  
 NWT/NU Association of Professional  
 Engineers and Geoscientists



01 OIL TANK ELEVATION - A  
 M2.0 SCALE: 3/4"-1'-0"

02 OIL TANK ELEVATION - B  
 M2.0 SCALE: 3/4"-1'-0"

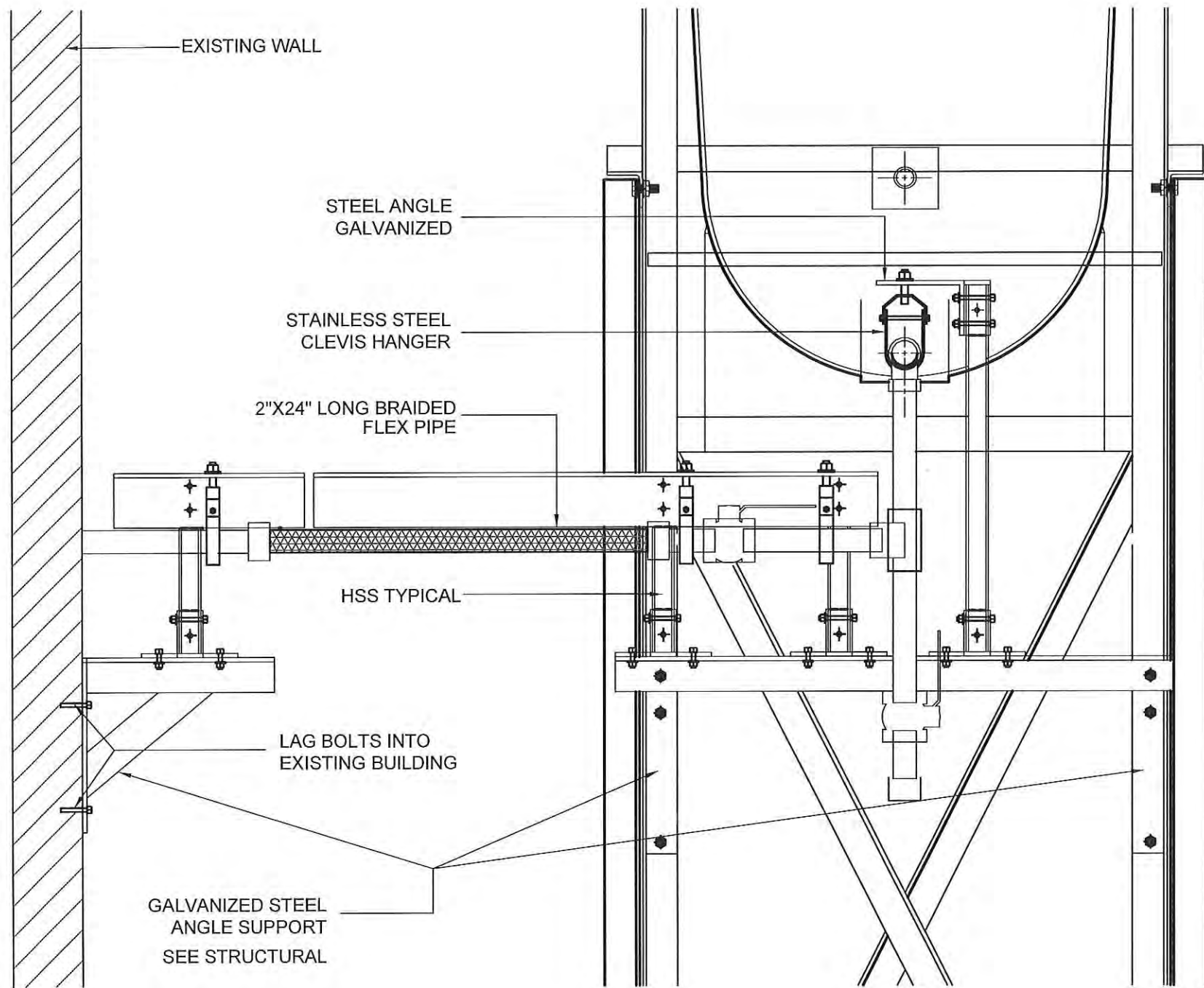


PROJECT TITLE:  
 RCMP "V" DIVISION OIL TANK REPLACEMENT - HALL BEACH  
 V058 - DETACHMENT SITE PLAN, HALL BEACH  
 SHEET TITLE:  
 TANK ELEVATIONS  
 PROJECT NUMBER:  
 16-028-14-30

REV. #	REVISION	DATE (YY MM DD)	REV. BY	REV. #	REVISION	DATE (YY MM DD)	REV. BY
00	ISSUED FOR REVIEW	18 05 18	JLS				

SCALE:  
 AS NOTED  
 DATE (YY MM DD):  
 17 03 03

DRAWING NUMBER:  
**M2.0**  
 REVISION NUMBER:  
 00



GALVANIZED STEEL ANGLE SUPPORT  
SEE STRUCTURAL

LAG BOLTS INTO EXISTING BUILDING

HSS TYPICAL

2\"/>

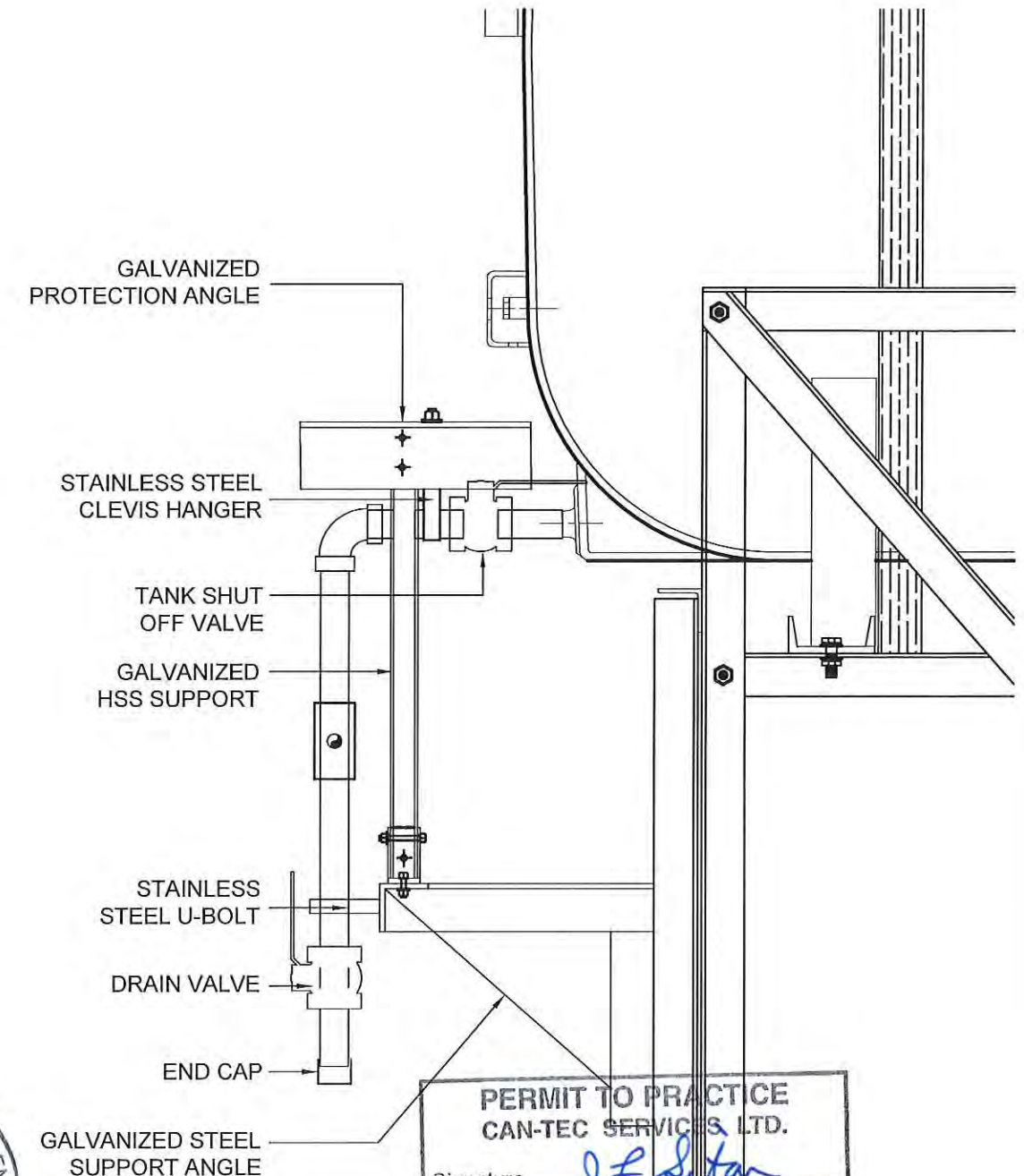
STAINLESS STEEL CLEVIS HANGER

STEEL ANGLE GALVANIZED

EXISTING WALL

NOTE: STEEL STAND NOT EXACTLY AS SHOWN.

01 2\"/>



GALVANIZED PROTECTION ANGLE

STAINLESS STEEL CLEVIS HANGER

TANK SHUT OFF VALVE

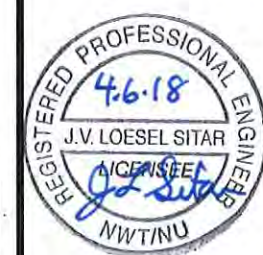
GALVANIZED HSS SUPPORT

STAINLESS STEEL U-BOLT

DRAIN VALVE

END CAP

GALVANIZED STEEL SUPPORT ANGLE



PERMIT TO PRACTICE  
CAN-TEC SERVICES, LTD.  
Signature *J.V. Loesel Sitar*  
Date 4.6.18  
PERMIT NUMBER: P 647  
NWT/NU Association of Professional Engineers and Geoscientists

02 2\"/>



PROJECT TITLE:  
RCMP "V" DIVISION OIL TANK REPLACEMENT - HALL BEACH  
V058 - DETACHMENT SITE PLAN, HALL BEACH  
SHEET TITLE:  
2\"/>

00	ISSUED FOR REVIEW	18 05 18	JLS
REV. #	REVISION	DATE (YY MM DD)	REV. BY

REV. #	REVISION	DATE (YY MM DD)	REV. BY
--------	----------	-----------------	---------

SCALE:  
AS NOTED  
DATE (YY MM DD):  
17 03 03

DRAWING NUMBER:  
**M2.1**  
REVISION NUMBER:  
00

# FUEL TANK REPAIR AND REPLACEMENT PROJECT POND INLET, NUNAVUT

## DRAWING LIST:

### V135 - RESIDENCE

M1.0 DEMOLITION PLAN  
M1.1 CONSTRUCTION PLAN  
M2.0 TANK ELEVATIONS  
M2.1 2" FUEL LINE SUPPORT DETAIL  
M3.0 SCHEMATIC

### V136 - GARAGE/FITNESS BUILDING

M1.0 DEMOLITION AND CONSTRUCTION PLAN  
M2.0 TANK ELEVATIONS  
M2.1 2" FUEL LINE SUPPORT DETAIL  
M3.0 SCHEMATIC

### V139 - RESIDENCE

M1.0 CONSTRUCTION PLAN

### V140 - RESIDENCE

M1.0 DEMOLITION PLAN  
M1.1 CONSTRUCTION PLAN  
M2.0 TANK ELEVATIONS  
M2.1 2" FUEL LINE SUPPORT DETAIL  
M3.0 SCHEMATIC

## STRUCTURAL DRAWING LIST

S1 STRUCTURAL PROJECT NOTES  
S2 TYP TANK SLAB, BOLLARD AND BASE PLATE DETAILS AND ISOMETRIC VIEW OF METAL STAND  
S3 CONNECTION #1 DETAILS  
S4 CONNECTION #2 DETAILS  
S5 TANK #1 - PLAN VIEW OF TANK ON SLAB  
S6 TANK #1 - PLAN VIEW OF TANK ON SLAB  
S7 TANK #2 - PLAN VIEW OF TANK ON LOW METAL STAND  
S8 TANK #2 - ELEVATIONS OF LOW METAL STAND  
S9 TANK #2 - ELEVATIONS OF LOW METAL STAND  
S10 TANK #3 - PLAN VIEW OF TANK ON HIGH METAL STAND  
S11 TANK #3 - ELEVATIONS OF HIGH METAL STAND  
S12 TANK #3 - ELEVATIONS OF HIGH METAL STAND  
S13 TANK #4 - PLAN VIEW OF TANK ON LOW DOUBLE METAL STAND  
S14 TANK #4 - ELEVATIONS OF LOW DOUBLE METAL STAND  
S15 TANK #4 - ELEVATIONS OF LOW DOUBLE METAL STAND  
S16 TANK #5 - PLAN VIEW OF TANK ON HIGH DOUBLE METAL STAND  
S17 TANK #5 - ELEVATIONS OF HIGH DOUBLE METAL STAND  
S18 TANK #5 - ELEVATIONS OF HIGH DOUBLE METAL STAND



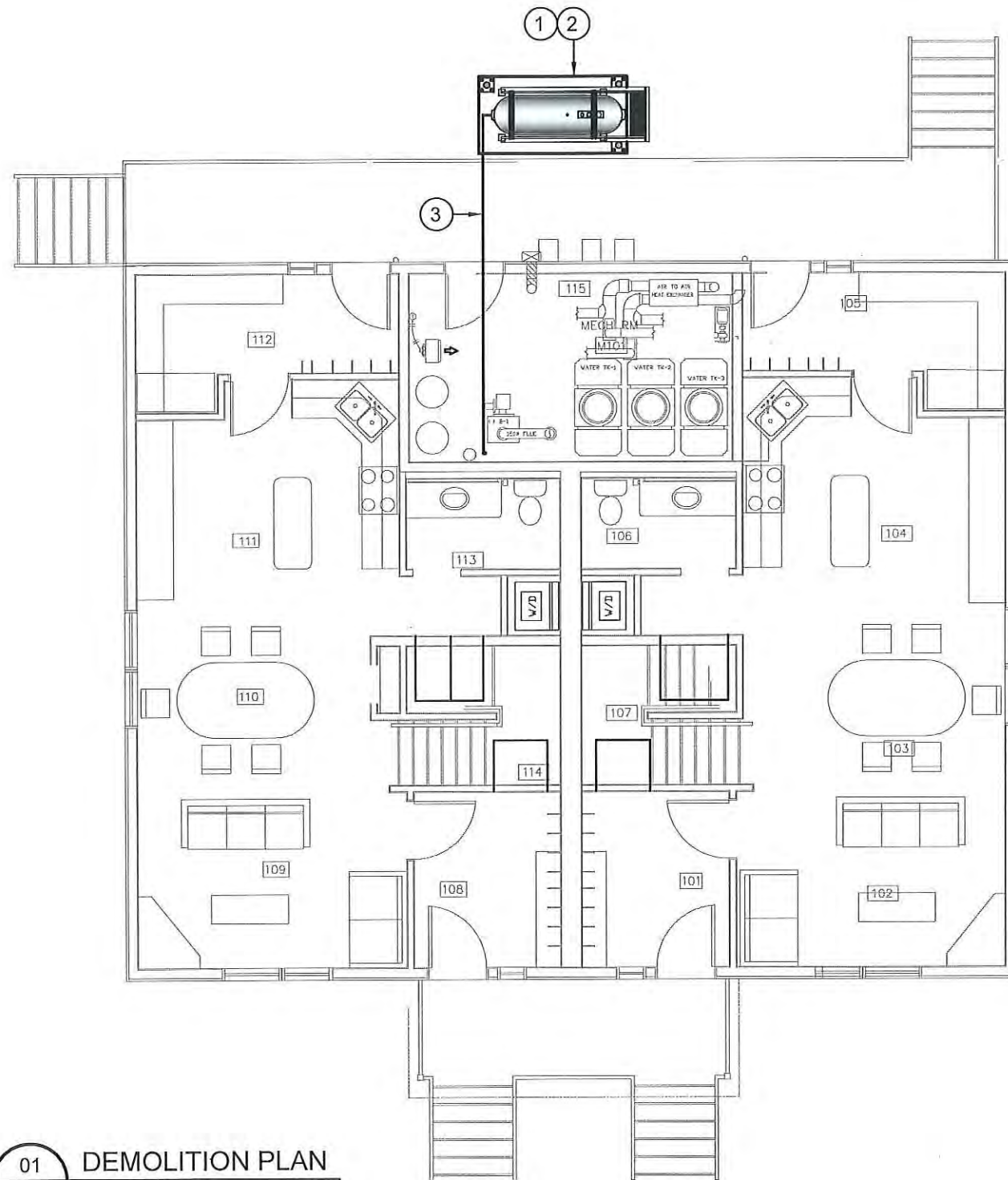
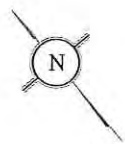
PROJECT TITLE:  
RCMP "V" DIVISION OIL TANK REPLACEMENT - POND INLET  
SHEET TITLE:  
TITLE PAGE  
PROJECT NUMBER:  
16-028-14-30

00 ISSUED FOR TENDER 18 05 18 JLS  
REV. # REVISION DATE (YY MM DD) REV. BY

REV. # REVISION DATE (YY MM DD) REV. BY

SCALE:  
AS NOTED  
DATE (YY MM DD):  
17 06 09

DRAWING NUMBER:  
**M0.0**  
REVISION NUMBER:  
00



**DEMOLITION NOTES: #**

1. REMOVE ALL FUEL FROM THE TANK AND DISPOSE OF AS PER LOCAL REGULATIONS.
2. REMOVE EXISTING OIL TANK, STAND AND PAD DISPOSE OF AS PER LOCAL REGULATIONS.
3. REMOVE ALL PIPING UNDER DUPLEX TO EXISTING BOILER.

01 **DEMOLITION PLAN**  
M1.0 SCALE: 1/8"=1'-0"

**PERMIT TO PRACTICE**  
**CAN-TEC SERVICES LTD.**  
Signature J. Loesel  
Date 4.6.18  
**PERMIT NUMBER: P 647**  
NWT/NU Association of Professional  
Engineers and Geoscientists



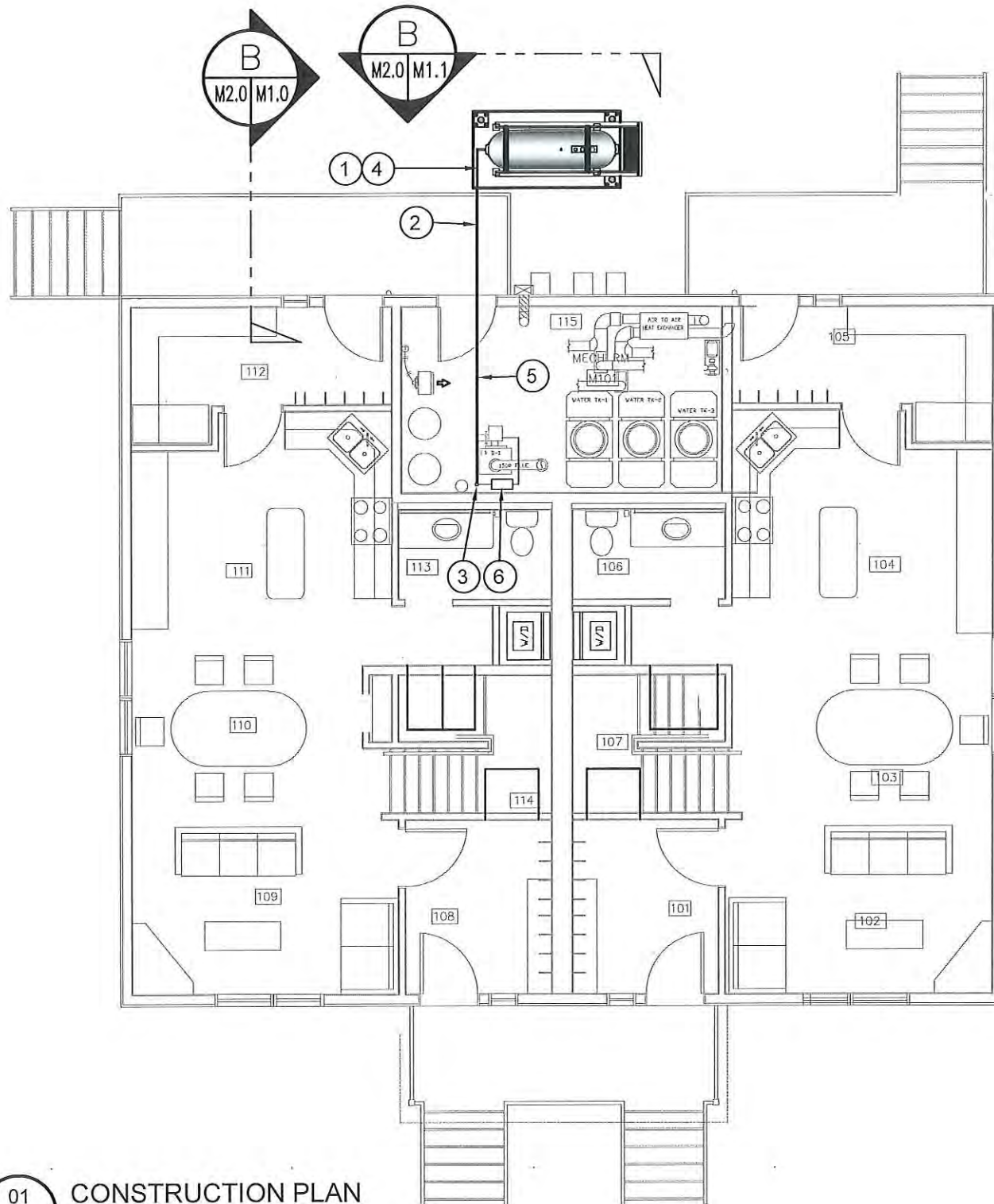
PROJECT TITLE:  
RCMP "V" DIVISION OIL TANK REPLACEMENT - POND INLET  
V135 - DUPLEX RESIDENCE , POND INLET  
SHEET TITLE:  
DEMOLITION PLAN  
PROJECT NUMBER:  
16-028-14-30

00	ISSUED FOR TENDER	18 05 18	JLS
REV. #	REVISION	DATE (YY MM DD)	REV. BY

REV. #	REVISION	DATE (YY MM DD)	REV. BY
--------	----------	-----------------	---------

SCALE:  
AS NOTED  
DATE (YY MM DD):  
17 06 09

DRAWING NUMBER:  
**M1.0**  
REVISION NUMBER:  
00



**CONSTRUCTION NOTES:** #

1. INSTALL NEW OIL TANK, STAND AND CONCRETE PAD. SEE SHEET M2.0
2. INSTALL NEW PIPING SUPPORT AS PER SHEET M2.1. INSTALL PIPE HANGERS AS REQUIRED TO SUPPORT PIPING UNDER DUPLEX
3. CAULK ENTRY INTO BUILDING.
4. INSTALL NEW OIL TANK STAND #3 - SEE STRUCTURAL FOR DETAILS.
5. INSTALL NEW 2" DIA SCH 40 PIPE AND HANGERS AS PER SPECIFICATION
6. INSTALL NEW WARMING PIPE, FUEL FILTER, FUSIBLE LINK, TIGER LOOP AND DRIP TRAYS.

01 CONSTRUCTION PLAN  
M1.1 SCALE: 1/8"=1'-0"

**PERMIT TO PRACTICE**  
**CAN-TEC SERVICES LTD.**  
Signature J.V. Loesel Sitar  
Date 4.6.18  
**PERMIT NUMBER: P 647**  
NWT/NU Association of Professional  
Engineers and Geoscientists



PROJECT TITLE:  
RCMP "V" DIVISION OIL TANK REPLACEMENT - POND INLET  
V135 - DUPLEX RESIDENCE, POND INLET  
SHEET TITLE:  
CONSTRUCTION PLAN  
PROJECT NUMBER:  
16-028-14-30

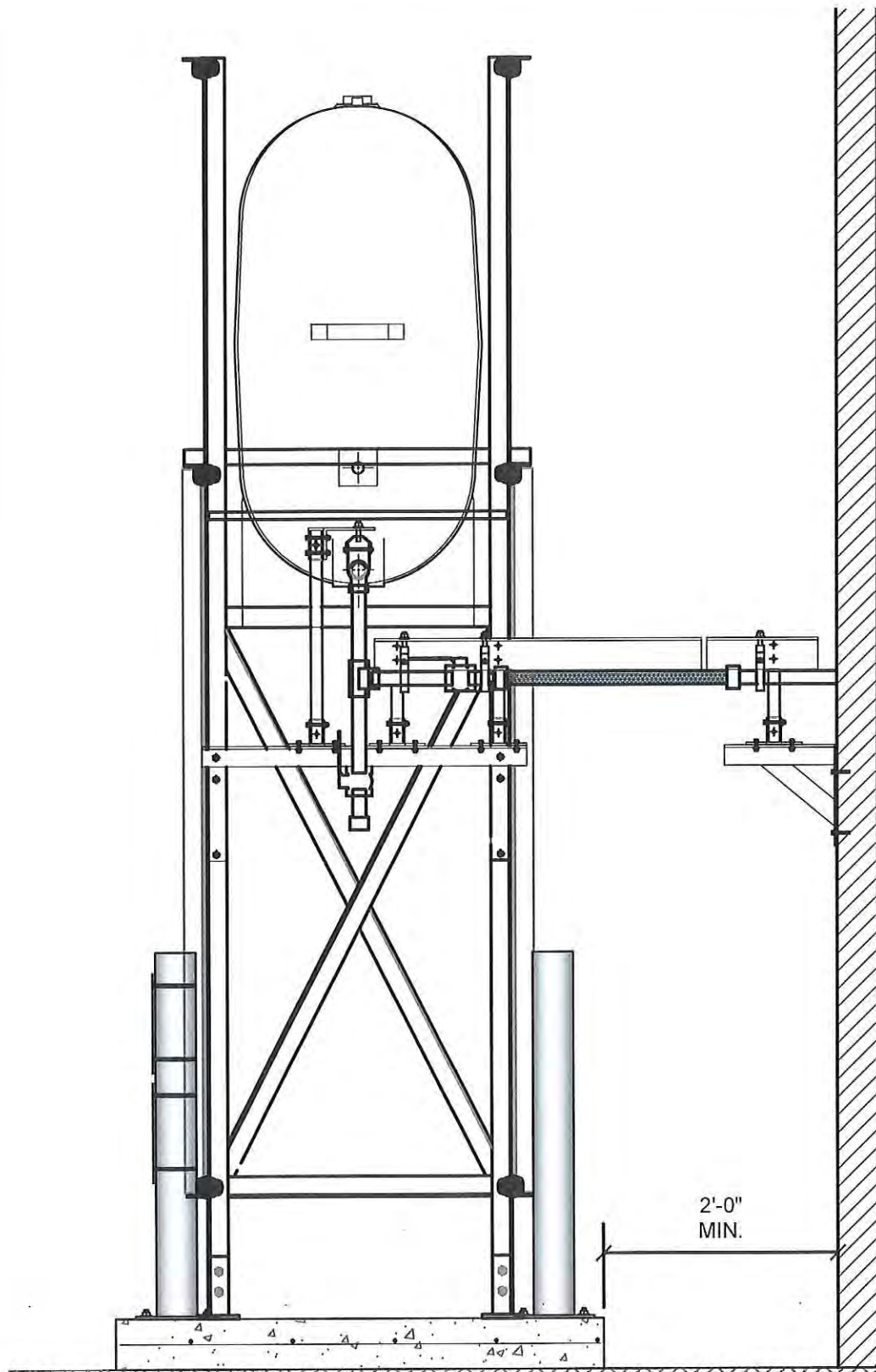
REV. #	REVISION	DATE (YY MM DD)	REV. BY
00	ISSUED FOR TENDER	18 05 18	JLS

REV. #	REVISION	DATE (YY MM DD)	REV. BY

SCALE:  
AS NOTED  
DATE (YY MM DD):  
17 06 90

DRAWING NUMBER:  
**M1.1**  
REVISION NUMBER:  
00

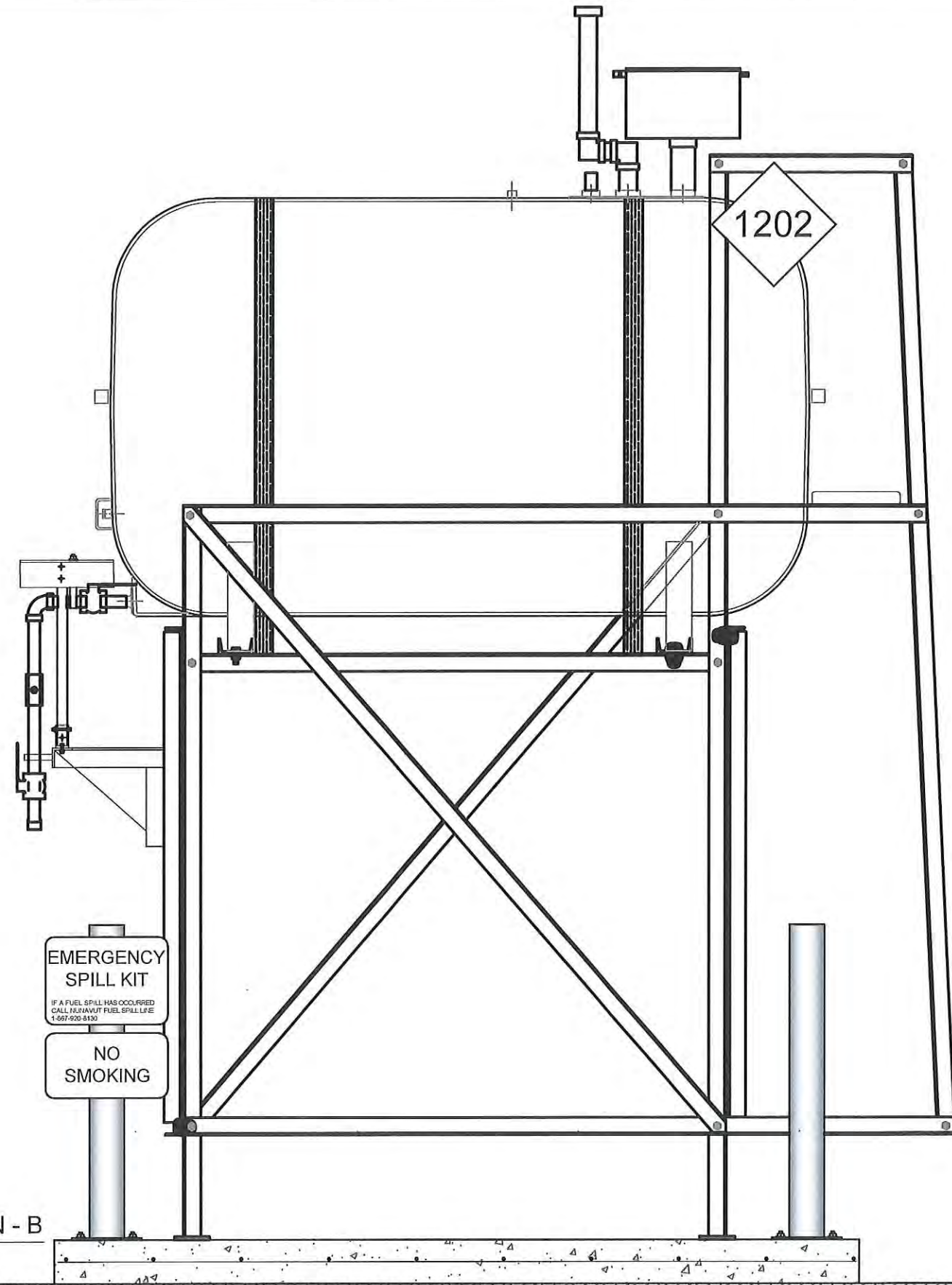




01 OIL TANK ELEVATION - A  
M2.0 SCALE: 3/4"-1'-0"



PERMIT TO PRACTICE  
CAN-TEC SERVICES LTD.  
Signature J.V. Loesel Sitar  
Date 4.6.18  
PERMIT NUMBER: P 647  
NWT/NU Association of Professional  
Engineers and Geoscientists



02 OIL TANK ELEVATION - B  
M2.0 SCALE: 3/4"-1'-0"



PROJECT TITLE:  
RCMP "V" DIVISION OIL TANK REPLACEMENT - POND INLET  
V135 - DUPLEX RESIDENCE, POND INLET  
SHEET TITLE:  
TANK ELEVATIONS  
PROJECT NUMBER:  
16-028-14-30

00 ISSUED FOR TENDER 18 05 18 JLS  
REV. # | REVISION | DATE (YY MM DD) | REV. BY

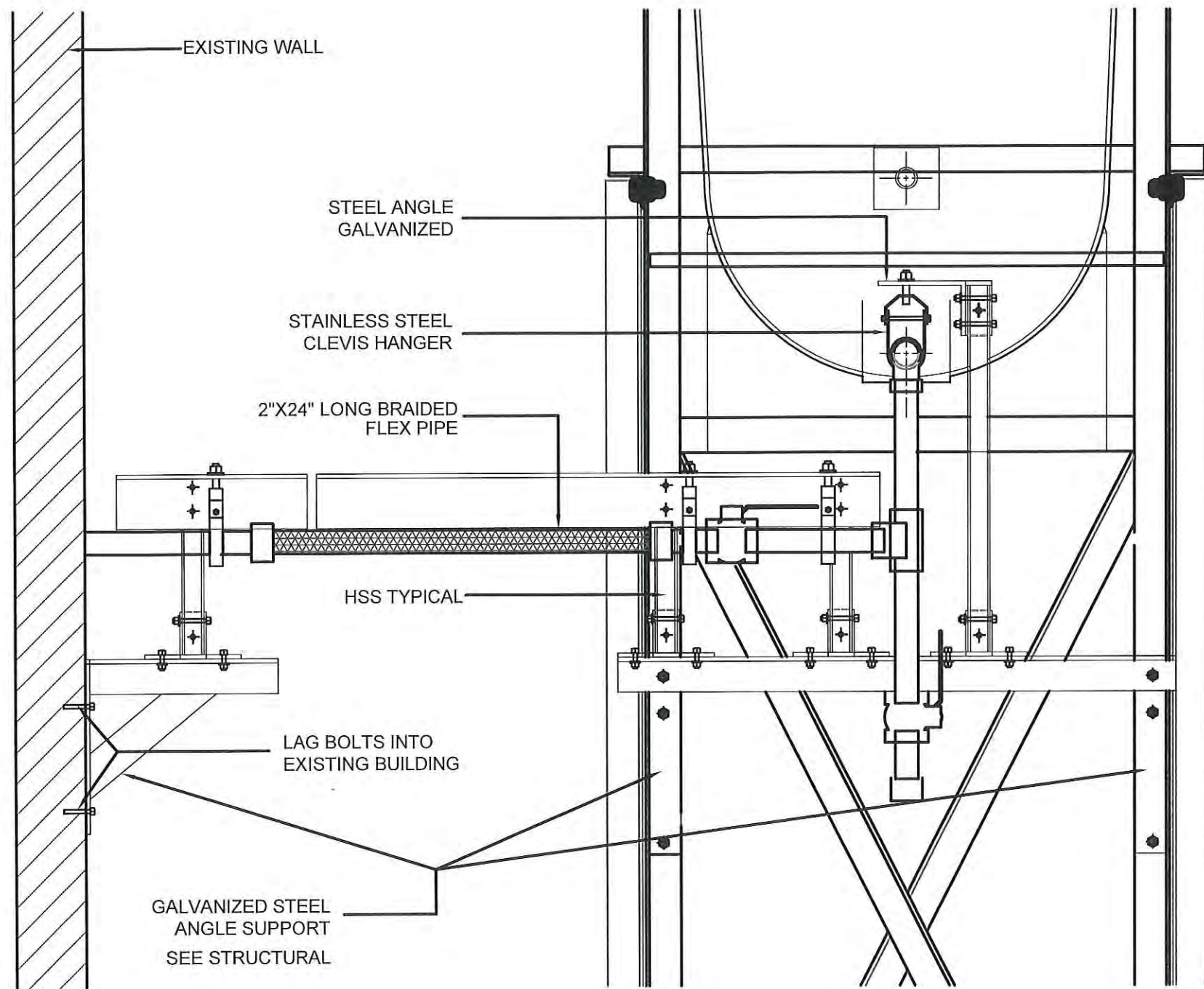
REV. # | REVISION | DATE (YY MM DD) | REV. BY

SCALE:  
AS NOTED  
DATE (YY MM DD):  
17 06 09

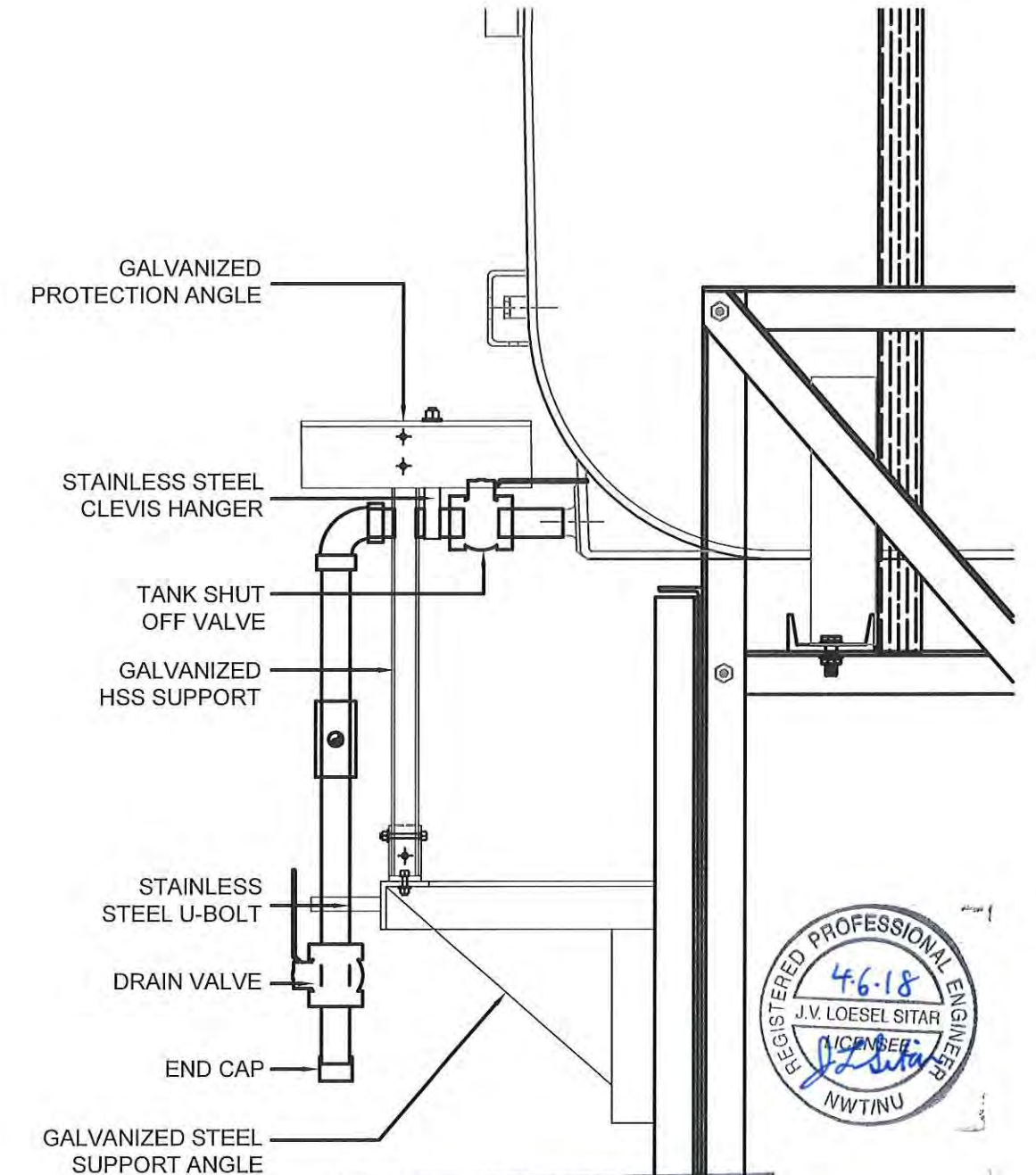
DRAWING NUMBER:

M2.0

REVISION NUMBER:  
00



01 FRONT VIEW  
M2.1 SCALE: 1 1/2"-1'-0"



02 SIDE VIEW  
M2.1 SCALE: 1 1/2"-1'-0"

PERMIT TO PRACTICE  
CAN-TEC SERVICES LTD.  
Signature *J.V. Loesel Sitar*  
Date 4.6.18  
PERMIT NUMBER: P 647  
NWT/NU Association of Professional  
Engineers and Geoscientists



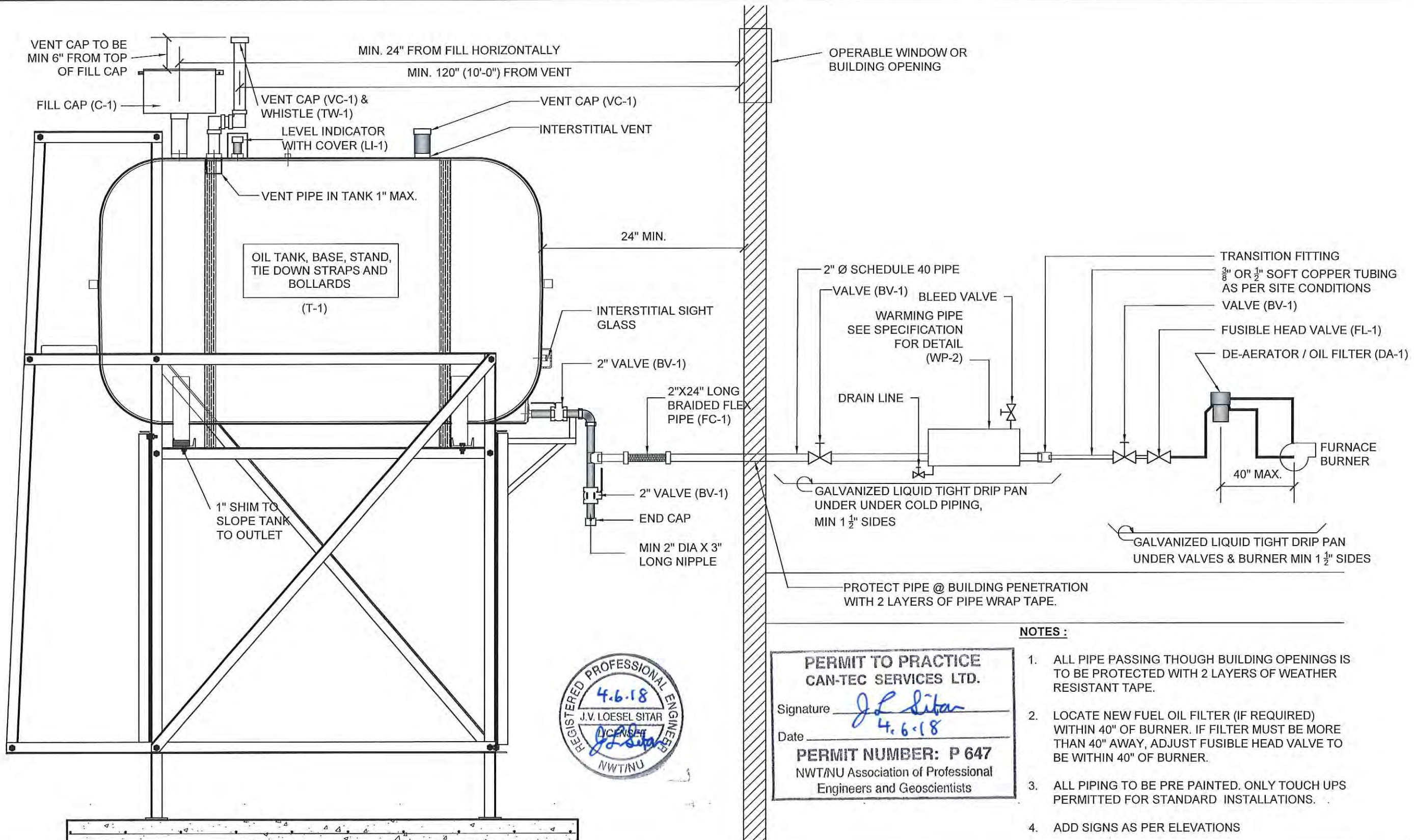
PROJECT TITLE:  
RCMP "V" DIVISION OIL TANK REPLACEMENT - POND INLET  
V135 - DUPLEX RESIDENCE , POND INLET  
SHEET TITLE:  
2" FUEL LINE SUPPORT DETAIL  
PROJECT NUMBER:  
16-028-14-30

REV. #	REVISION	DATE (YY MM DD)	REV. BY
00	ISSUED FOR TENDER	18 05 18	JLS

REV. #	REVISION	DATE (YY MM DD)	REV. BY
--------	----------	-----------------	---------

SCALE:  
AS NOTED  
DATE (YY MM DD):  
17 06 09

DRAWING NUMBER:  
**M2.1**  
REVISION NUMBER:  
00



**PERMIT TO PRACTICE**  
**CAN-TEC SERVICES LTD.**  
 Signature *J.L. Sitar*  
 Date *4.6.18*  
**PERMIT NUMBER: P 647**  
 NWT/NU Association of Professional  
 Engineers and Geoscientists

**NOTES :**

1. ALL PIPE PASSING THOUGH BUILDING OPENINGS IS TO BE PROTECTED WITH 2 LAYERS OF WEATHER RESISTANT TAPE.
2. LOCATE NEW FUEL OIL FILTER (IF REQUIRED) WITHIN 40" OF BURNER. IF FILTER MUST BE MORE THAN 40" AWAY, ADJUST FUSIBLE HEAD VALVE TO BE WITHIN 40" OF BURNER.
3. ALL PIPING TO BE PRE PAINTED. ONLY TOUCH UPS PERMITTED FOR STANDARD INSTALLATIONS.
4. ADD SIGNS AS PER ELEVATIONS

01 SCHEMATIC - TANK, PIPING & ACCESSORIES : ON STAND  
 M3.0 SCALE: NTS



PROJECT TITLE:  
 RCMP "V" DIVISION OIL TANK REPLACEMENT - POND INLET  
 V135 - DUPLEX RESIDENCE , POND INLET  
 SHEET TITLE:  
 SCHEMATIC  
 PROJECT NUMBER:  
 16-028-14-30

00	ISSUED FOR TENDER	18 05 18	JLS
REV. #	REVISION	DATE (YY MM DD)	REV. BY

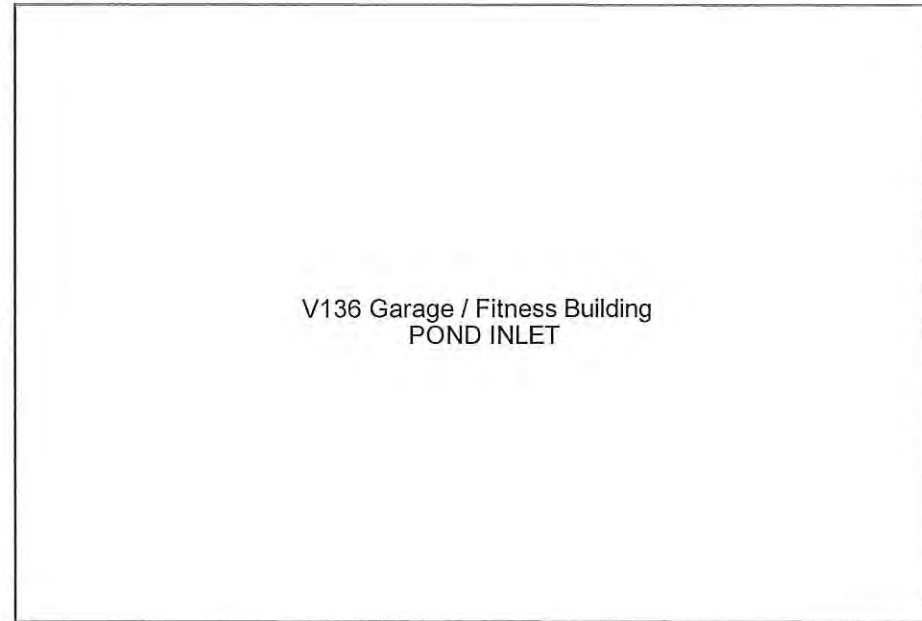
REV. #	REVISION	DATE (YY MM DD)	REV. BY
--------	----------	-----------------	---------

SCALE:  
 AS NOTED  
 DATE (YY MM DD):  
 17 06 09

DRAWING NUMBER:  
**M3.0**  
 REVISION NUMBER:  
 00



FRONT



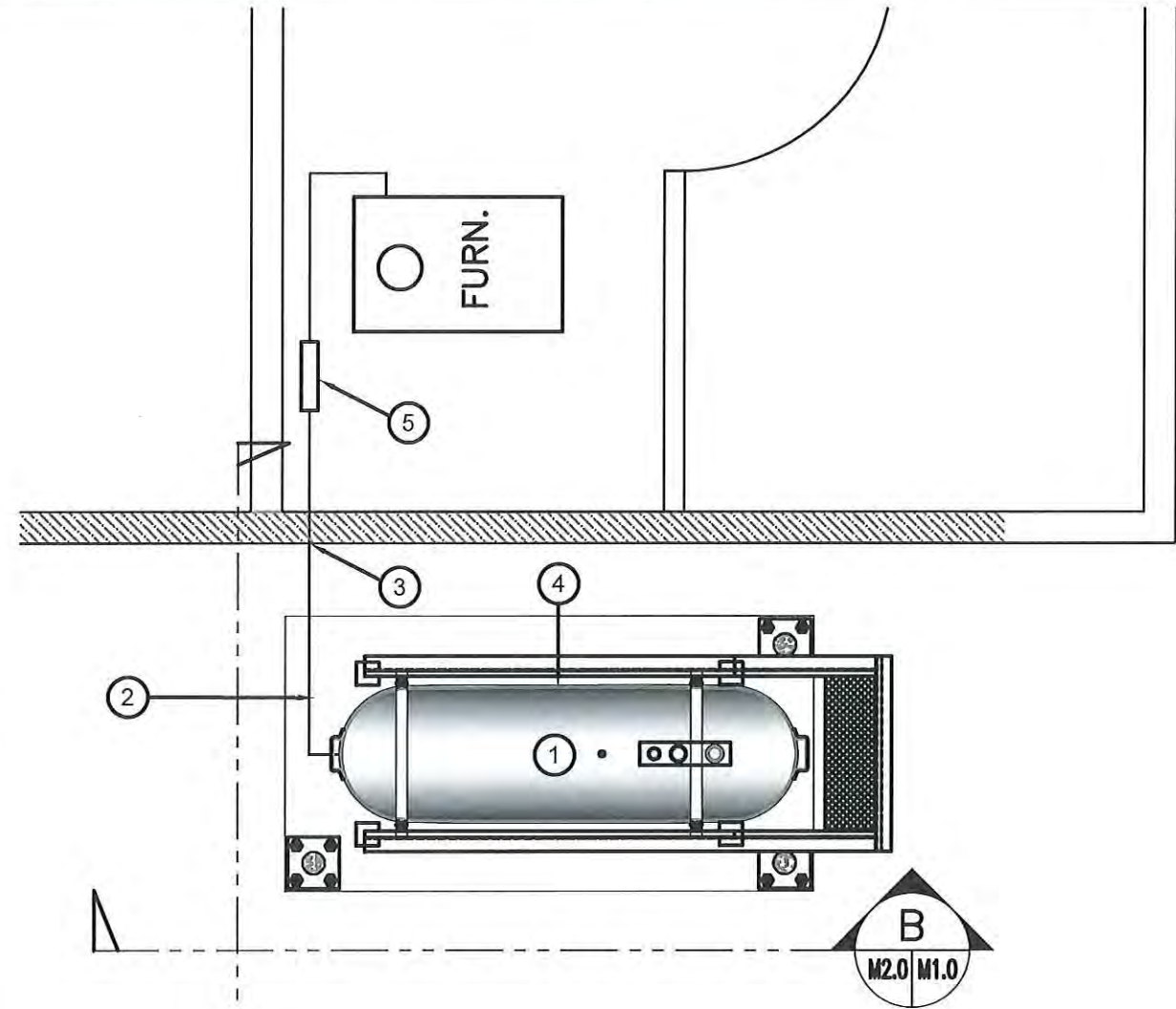
01 DEMOLITION PLAN  
M1.0 SCALE: NTS

PERMIT TO PRACTICE  
CAN-TEC SERVICES LTD.  
Signature *J.L. Sitar*  
Date *4.6.18*  
PERMIT NUMBER: P 647  
NWT/NU Association of Professional  
Engineers and Geoscientists



DEMOLITION NOTES:

1. REMOVE ALL FUEL FROM THE TANK AND DISPOSE OF AS PER LOCAL REGULATIONS.
2. REMOVE EXISTING ROTH 1000L OIL TANK AND PAD DISPOSE OF AS PER LOCAL REGULATIONS.



02 CONSTRUCTION PLAN  
M1.0 SCALE: NTS

CONSTRUCTION NOTES: #

1. INSTALL NEW OIL TANK, AND STAND CONCRETE PAD. SEE SHEET M2.0
2. INSTALL NEW PIPING SUPPORT AS PER SHEET M2.0.
3. CAULK ENTRY INTO BUILDING.
4. INSTALL NEW OIL TANK STAND #2 SEE STRUCTURAL FOR DETAILS.
5. INSTALL NEW WARMING PIPE (WP-2)

INTERIOR REPAIR NOTES:

1. INSTALL NEW FUEL SYSTEM TO EXISTING FURNACE BURNER. INCLUDING FUEL LINES, VALVES, FUSIBLE LINK AND DE-AERATOR/FILTER.



PROJECT TITLE:  
RCMP "V" DIVISION OIL TANK REPLACEMENT - POND INLET  
V136 - GARAGE / FITNESS BUILDING, POND INLET  
SHEET TITLE:  
DEMOLITION AND CONSTRUCTION PLAN  
PROJECT NUMBER:  
16-028-14-30

00 ISSUED FOR TENDER 18 05 18 JLS  
REV. # | REVISION | DATE (YY MM DD) | REV. BY

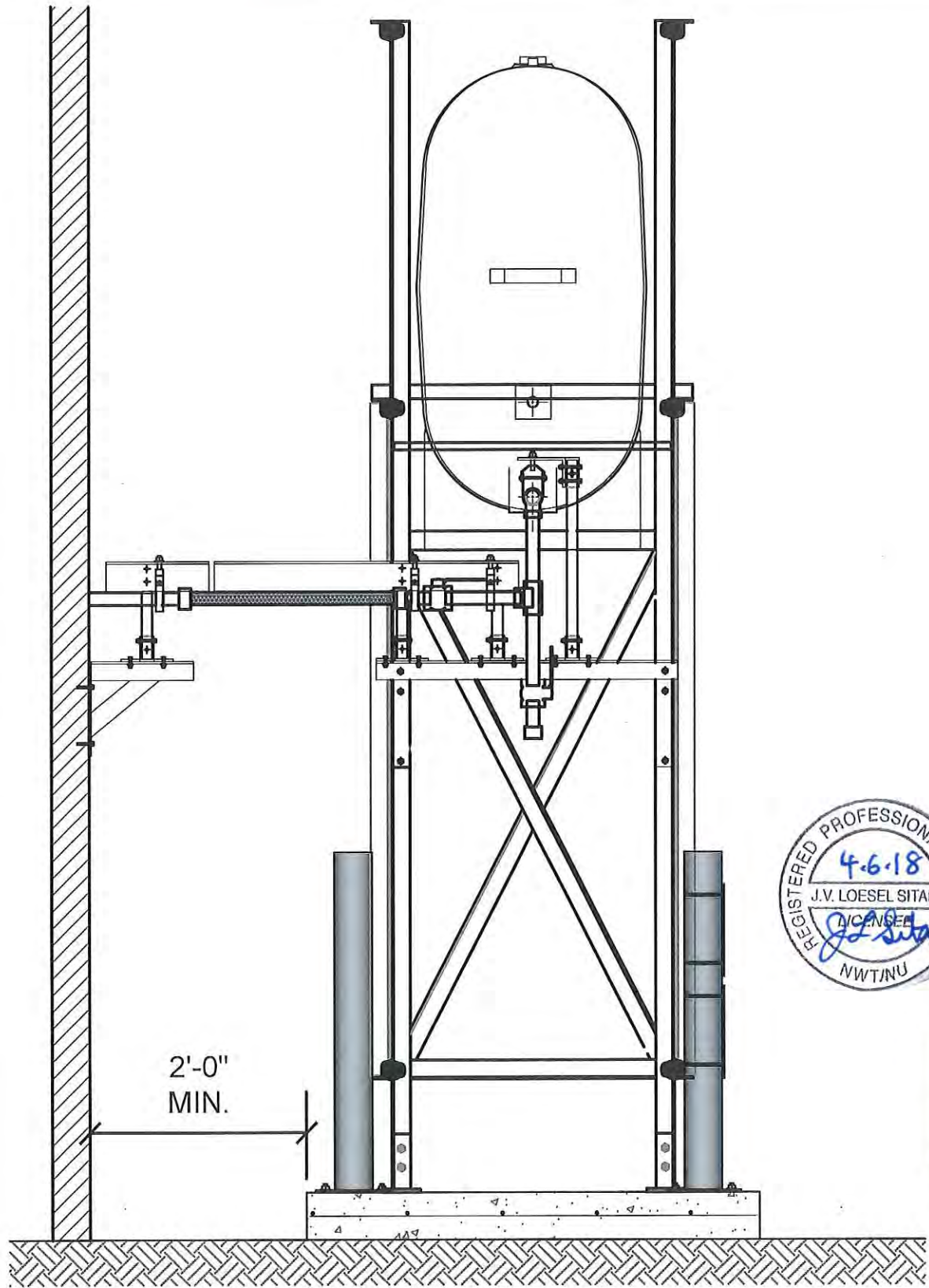
REV. # | REVISION | DATE (YY MM DD) | REV. BY

SCALE:  
AS NOTED  
DATE (YY MM DD):  
17 06 09

DRAWING NUMBER:

M1.0

REVISION NUMBER:  
00

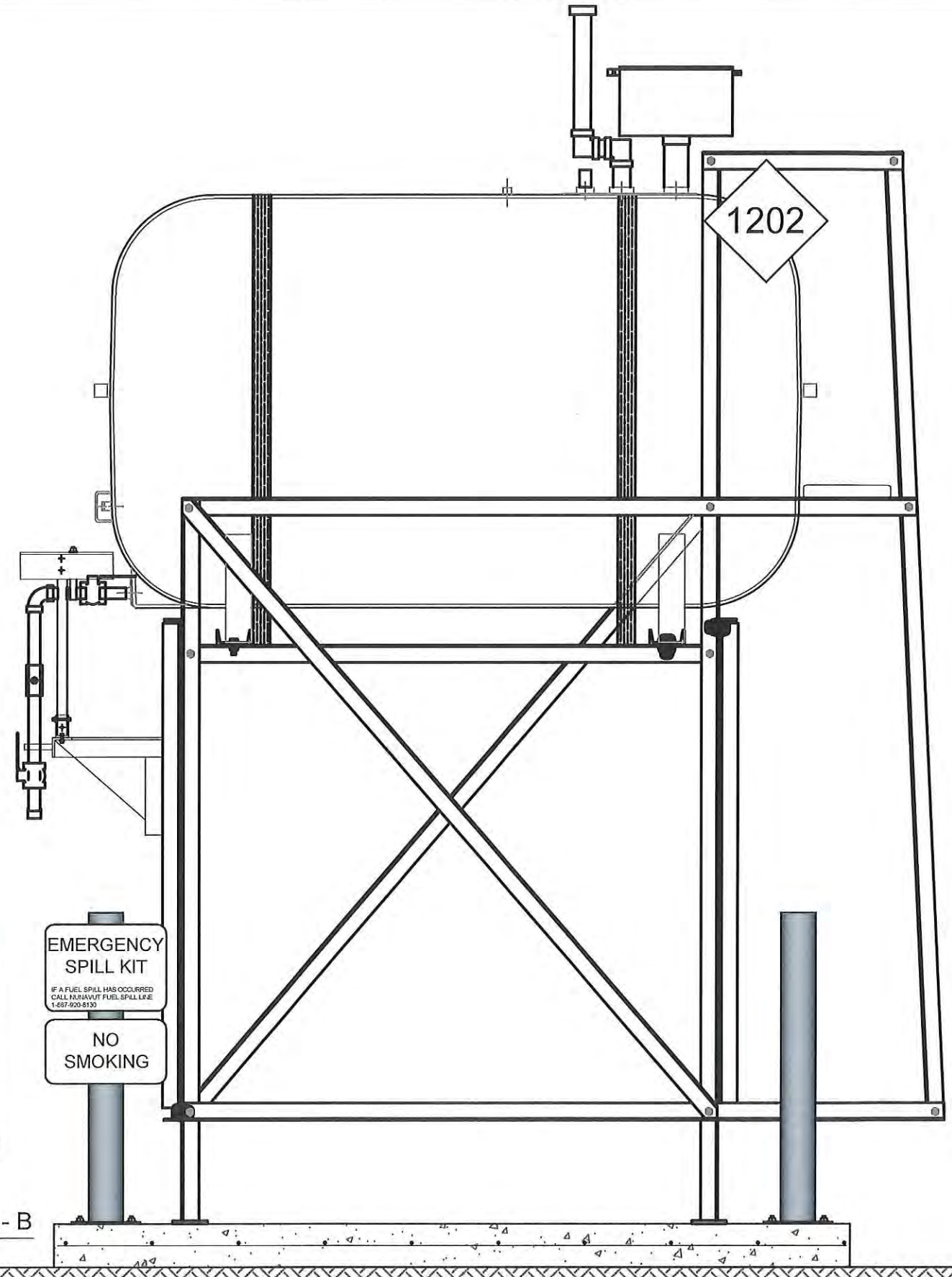


01 OIL TANK ELEVATION - A  
M2.0 SCALE: 3/4"-1'-0"



PERMIT TO PRACTICE  
CAN-TEC SERVICES LTD.  
Signature J.V. Loesel Sitar  
Date 4.6.18  
PERMIT NUMBER: P 647  
NWT/NU Association of Professional  
Engineers and Geoscientists

02 OIL TANK ELEVATION - B  
M2.0 SCALE: 3/4"-1'-0"



EMERGENCY  
SPILL KIT  
IF A FUEL SPILL HAS OCCURRED  
CALL INUVIAT FUEL SPILL LINE  
1-877-920-8133  
NO  
SMOKING



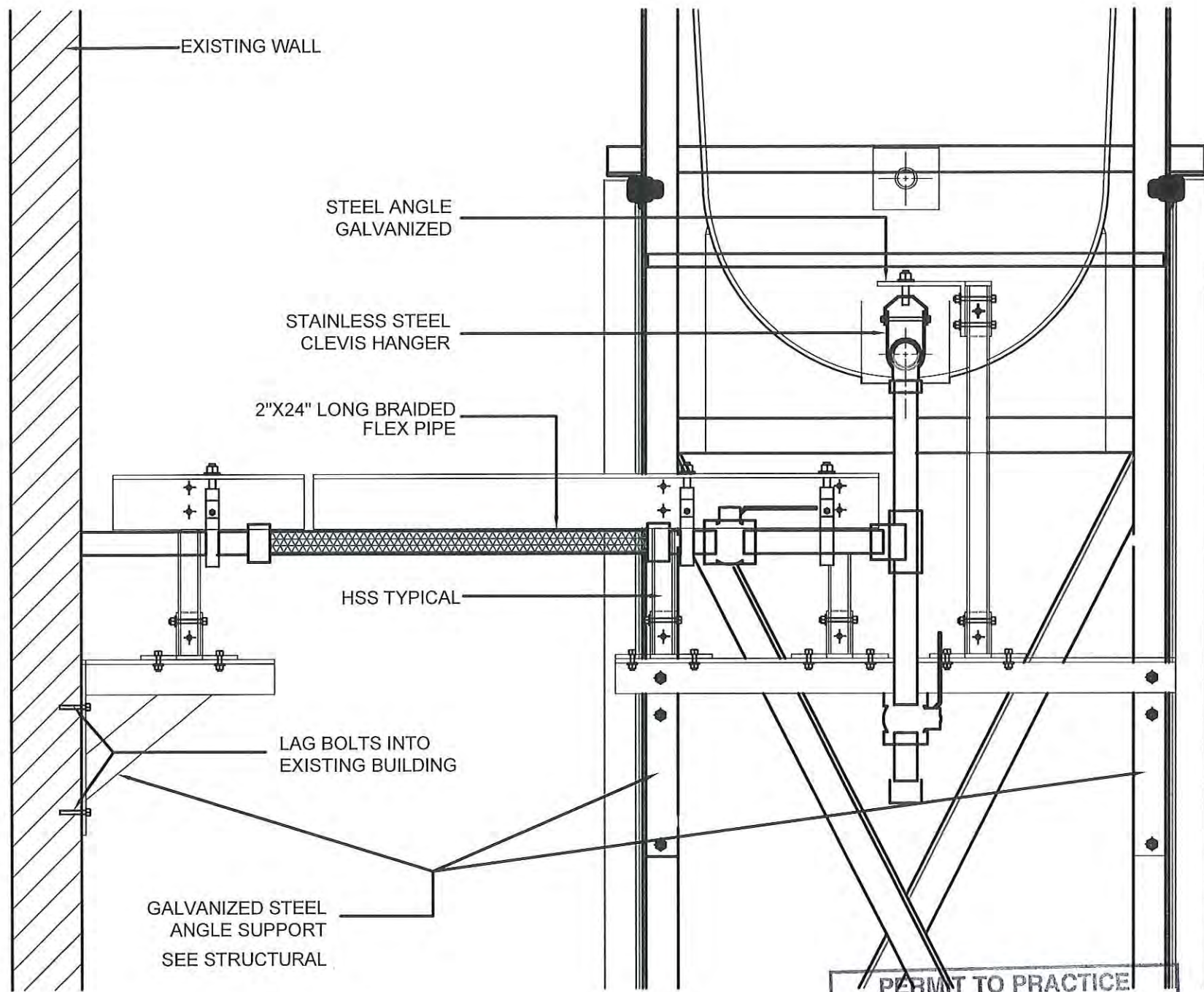
PROJECT TITLE:  
RCMP "V" DIVISION OIL TANK REPLACEMENT - POND INLET  
V136 - GARAGE / FITNESS BUILDING, POND INLET  
SHEET TITLE:  
TANK ELEVATIONS  
PROJECT NUMBER:  
16-028-14-30

00	ISSUED FOR TENDER	18 05 18	JLS
REV. #	REVISION	DATE (YY MM DD)	REV. BY

REV. #	REVISION	DATE (YY MM DD)	REV. BY
--------	----------	-----------------	---------

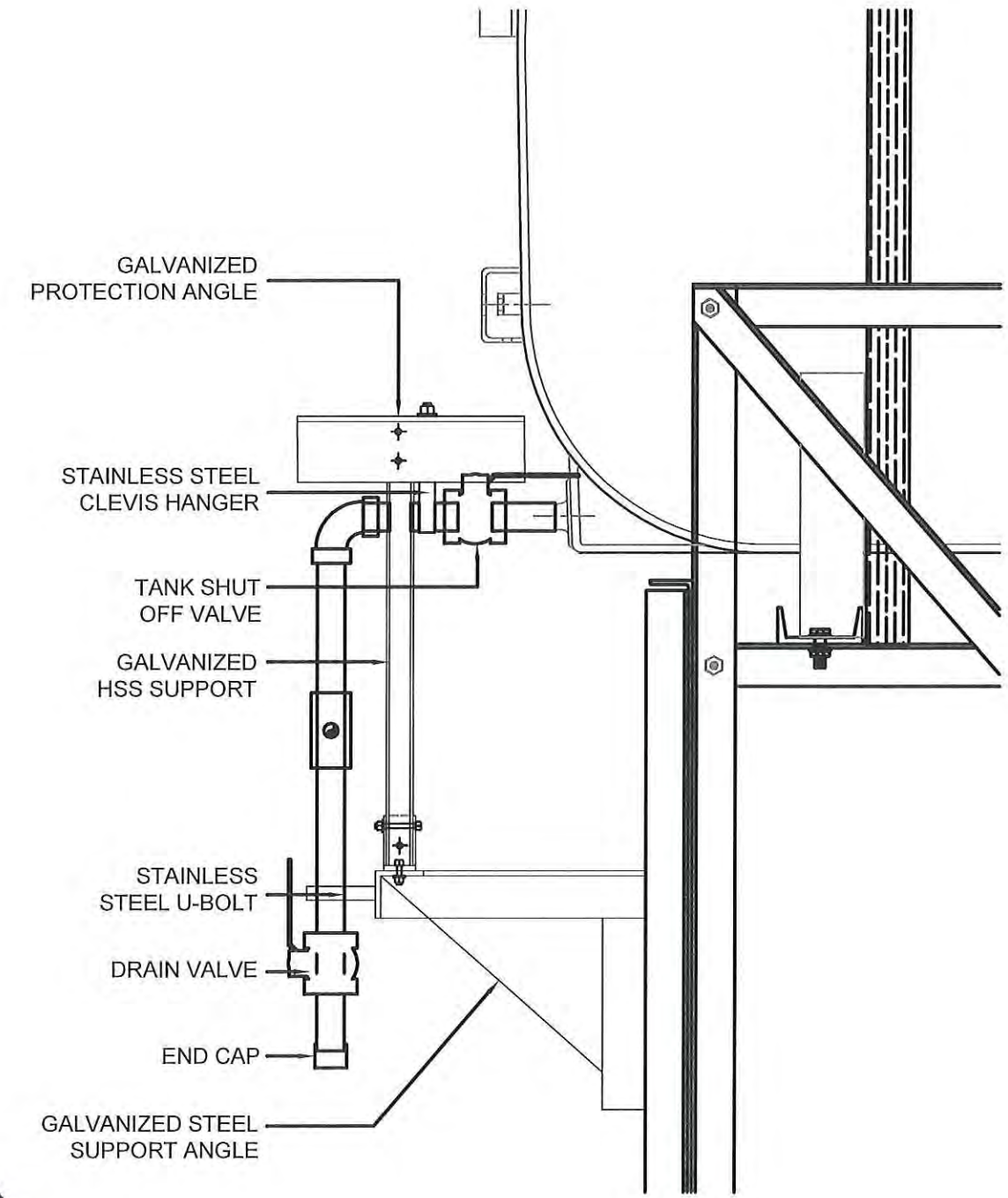
SCALE:  
AS NOTED  
DATE (YY MM DD):  
17 06 09

DRAWING NUMBER:  
**M2.0**  
REVISION NUMBER:  
00



01 FRONT VIEW  
M2.1 SCALE: 1 1/2"=1'-0"

PERMIT TO PRACTICE  
CAN-TEC SERVICES LTD.  
Signature J.L. Sitar  
Date 4.6.18  
PERMIT NUMBER: P 647  
NWT/NU Association of Professional  
Engineers and Geoscientists



02 SIDE VIEW  
M2.1 SCALE: 1 1/2"=1'-0"



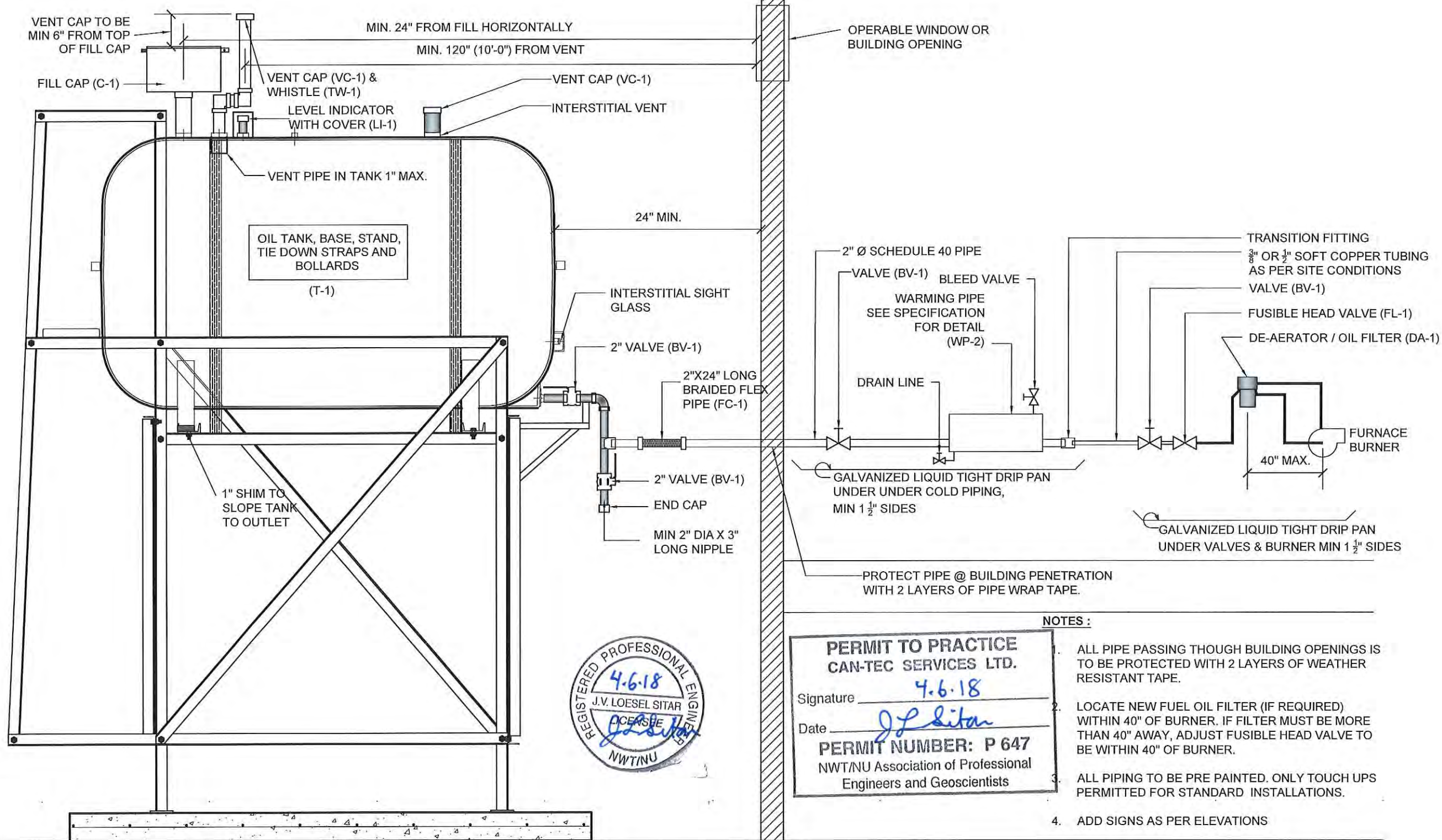
PROJECT TITLE:  
RCMP "V" DIVISION OIL TANK REPLACEMENT - POND INLET  
V136 - GARAGE / FITNESS BUILDING, POND INLET  
SHEET TITLE:  
2" FUEL LINE SUPPORT DETAIL  
PROJECT NUMBER:  
16-028-14-30

00 ISSUED FOR TENDER 18 05 18 JLS  
REV. # | REVISION | DATE (YY MM DD) | REV. BY

REV. # | REVISION | DATE (YY MM DD) | REV. BY

SCALE:  
AS NOTED  
DATE (YY MM DD):  
17 06 09

DRAWING NUMBER:  
M2.1  
REVISION NUMBER:  
00



**PERMIT TO PRACTICE**  
**CAN-TEC SERVICES LTD.**  
 Signature J.V. Loesel  
 Date 4.6.18  
**PERMIT NUMBER: P 647**  
 NWT/NU Association of Professional  
 Engineers and Geoscientists

- NOTES :**
1. ALL PIPE PASSING THOUGH BUILDING OPENINGS IS TO BE PROTECTED WITH 2 LAYERS OF WEATHER RESISTANT TAPE.
  2. LOCATE NEW FUEL OIL FILTER (IF REQUIRED) WITHIN 40" OF BURNER. IF FILTER MUST BE MORE THAN 40" AWAY, ADJUST FUSIBLE HEAD VALVE TO BE WITHIN 40" OF BURNER.
  3. ALL PIPING TO BE PRE PAINTED. ONLY TOUCH UPS PERMITTED FOR STANDARD INSTALLATIONS.
  4. ADD SIGNS AS PER ELEVATIONS

01 SCHEMATIC - TANK, PIPING & ACCESSORIES : ON STAND  
 M3.0 SCALE: NTS



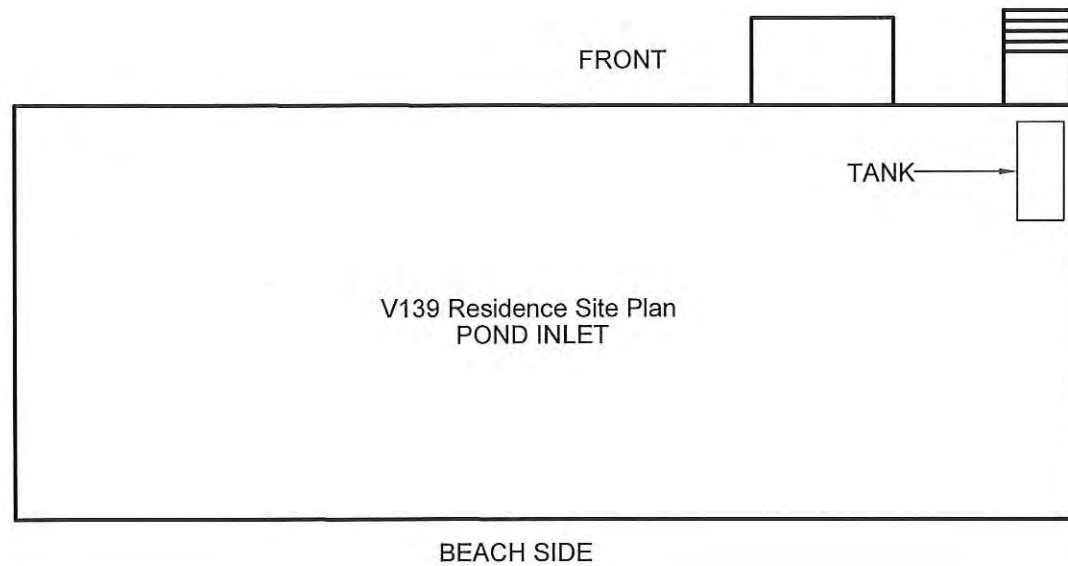
PROJECT TITLE:  
 RCMP "V" DIVISION OIL TANK REPLACEMENT - POND INLET  
 V136 - GARAGE / FITNESS BUILDING , POND INLET  
 SHEET TITLE:  
 SCHEMATIC  
 PROJECT NUMBER:  
 16-028-14-30

00	ISSUED FOR TENDER	18 05 18	JLS
REV. #	REVISION	DATE (YY MM DD)	REV. BY

REV. #	REVISION	DATE (YY MM DD)	REV. BY
--------	----------	-----------------	---------

SCALE:  
 AS NOTED  
 DATE (YY MM DD):  
 17 06 09

DRAWING NUMBER:  
**M3.0**  
 REVISION NUMBER:  
 00



01 CONSTRUCTION PLAN  
M1.0 SCALE: NTS

INTERIOR REPAIR NOTES:

1. MODIFY INTERIOR PIPING AND INSTALL NEW VENT WHISTLE ON EXISTING VENT LINE.
2. INSTALL NEW VENT CAP
3. MODIFY INTERIOR EMERGENCY VENT AND INSTALL NEW CAP
4. MODIFY EXISTING FILL CAP AND INSTALL NEW SPILL CONTAINMENT FILL CAP
5. PAINT ALL EXTERIOR AND INTERIOR PIPING

**PERMIT TO PRACTICE**  
CAN-TEC SERVICES LTD.  
Signature J.V. Loesel  
Date 4.6.18  
**PERMIT NUMBER: P 647**  
NWT/NU Association of Professional  
Engineers and Geoscientists



REMOVE EXISTING VENT  
CAP AND EXTEND PIPE  
SO THAT TOP OF PIPE IS  
MIN 6" ABOVE TOP OF  
NEW SPILL CAP.

INSTALL NEW FILL CAP AND  
SPILL CONTAINMENT CAP. ADJUST  
PIPING AS REQUIRED

CAULK AND SEAL  
ALL OPENINGS



02 EXTERIOR ELEVATION  
M1.0 SCALE: NTS

ADD NEW VENT CAP

CAULK SEAL ALL  
OPENINGS

INSTALL NEW VENT WHISTLE



03 INTERIOR ELEVATION  
M1.0 SCALE: NTS



PROJECT TITLE:  
RCMP "V" DIVISION OIL TANK REPLACEMENT POND INLET  
SHEET TITLE:  
V139 - RESIDENCE CONSTRUCTION PLAN  
PROJECT NUMBER:  
16-028-14-30

00 ISSUED FOR TENDER 18 05 18 JLS  
REV. # | REVISION | DATE (YY MM DD) | REV. BY

REV. # | REVISION | DATE (YY MM DD) | REV. BY

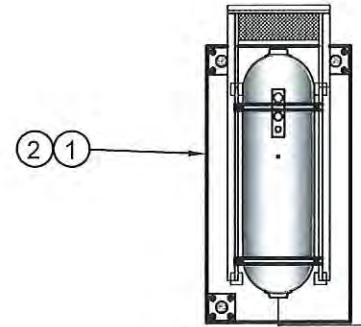
SCALE:  
AS NOTED  
DATE (YY MM DD):  
17 06 09

DRAWING NUMBER:  
**M1.0**  
REVISION NUMBER:  
00



N

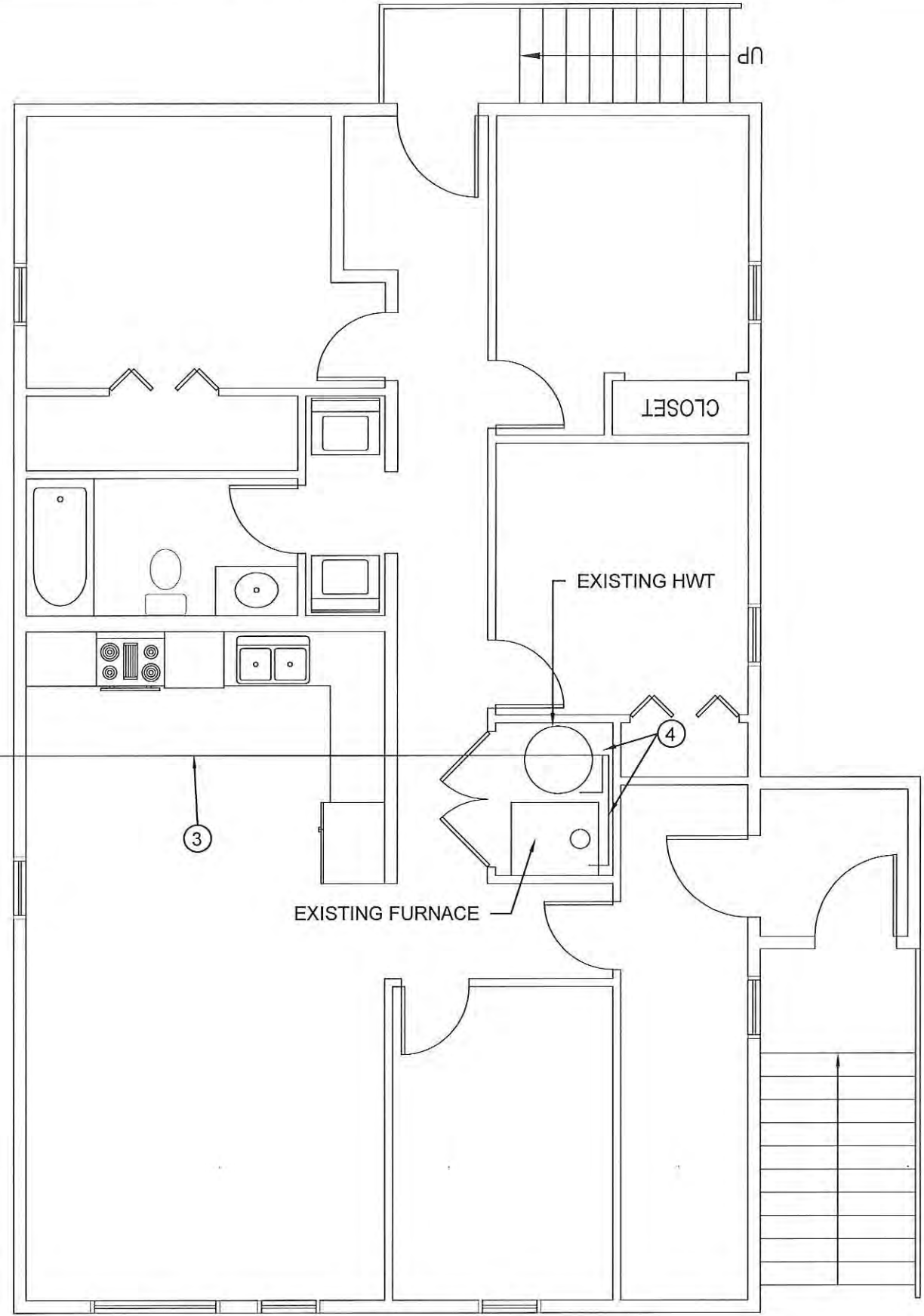
UP



2 1

3

4



DEMOLITION NOTES: #

1. REMOVE ALL FUEL FROM THE TANK AND DISPOSE OF AS PER LOCAL REGULATIONS.
2. REMOVE EXISTING TANK AND PAD DISPOSE OF AS PER LOCAL REGULATIONS.
3. REMOVE ALL PIPING TO FURNACE AND HOT WATER TANK. DISPOSE OF AS PER LOCAL REGULATIONS.
4. REMOVE EXISTING TIGER LOOP AND FUEL FILTERS ON EXISTING FURNACE AND HWT. DISPOSE OF AS PER REGULATIONS.

01 DEMOLITION PLAN  
 M1.0 SCALE: 3/16"=1'-0"



PERMIT TO PRACTICE  
 CAN-TEC SERVICES LTD.  
 Signature *J.V. Loesel Sitar*  
 Date 4.6.18  
 PERMIT NUMBER: P 647  
 NWT/NU Association of Professional  
 Engineers and Geoscientists



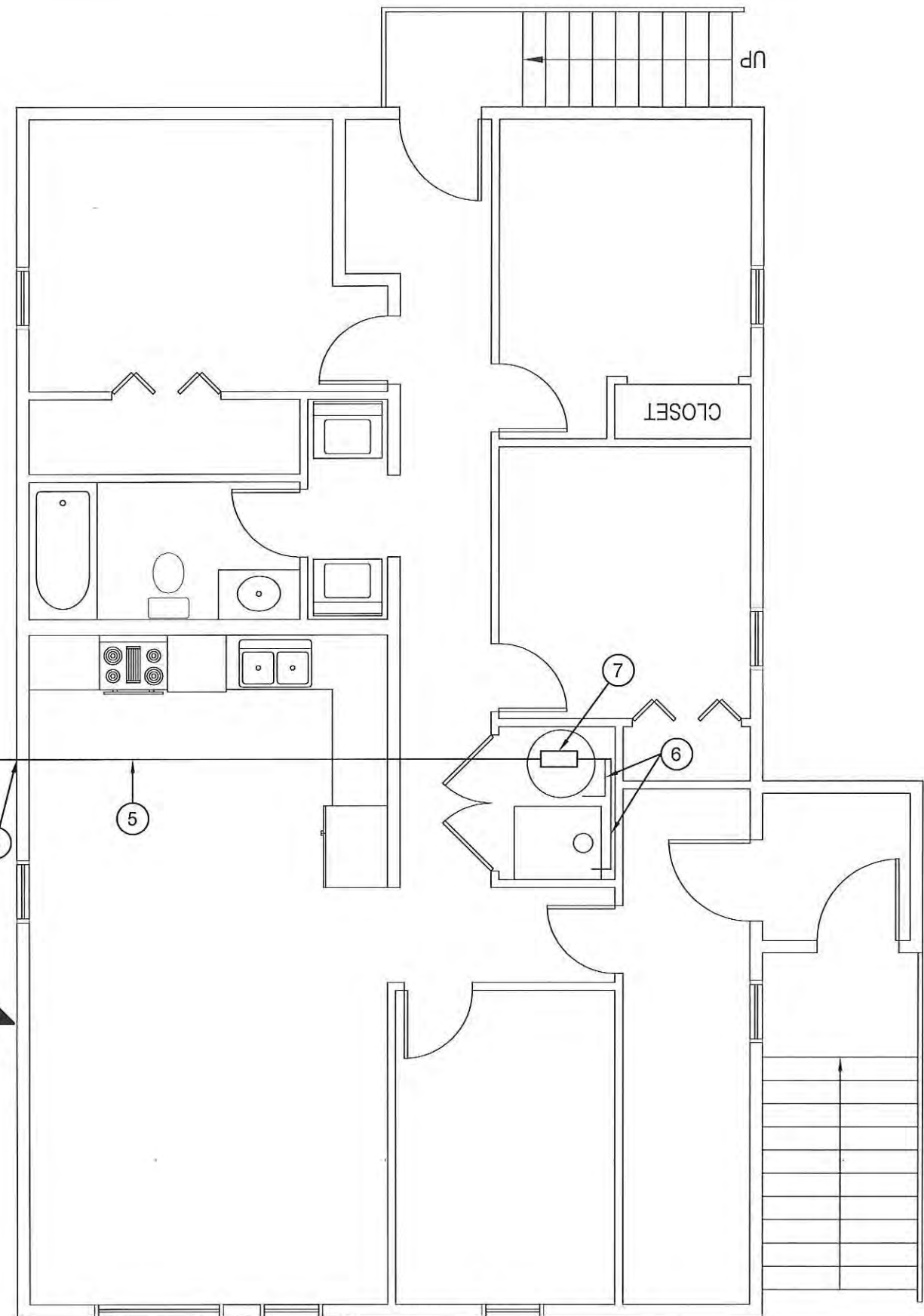
PROJECT TITLE:  
 RCMP "V" DIVISION OIL TANK REPLACEMENT - POND INLET  
 V140 - RESIDENCE , POND INLET  
 SHEET TITLE:  
 DEMOLITION PLAN  
 PROJECT NUMBER:  
 16-028-14-30

00	ISSUED FOR TENDER	18 05 18	JLS
REV. #	REVISION	DATE (YY MM DD)	REV. BY

REV. #	REVISION	DATE (YY MM DD)	REV. BY
--------	----------	-----------------	---------

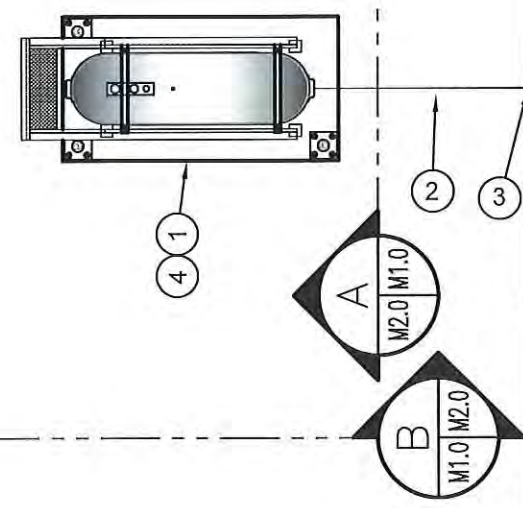
SCALE:  
 AS NOTED  
 DATE (YY MM DD):  
 17 06 09

DRAWING NUMBER:  
 M1.0  
 REVISION NUMBER:  
 00



**CONSTRUCTION NOTES: #**

1. INSTALL NEW OIL TANK, STAND AND CONCRETE PAD. SEE SHEET M2.0
2. INSTALL NEW PIPING SUPPORT AS PER SHEET M2.1
3. CAULK ENTRY INTO BUILDING.
4. INSTALL NEW OIL TANK STAND TYPE #3.
5. INSTALL NEW 2" FUEL PIPE IN CRAWL SPACE. INSTALL NEW HANGERS AS PER SPECIFICATION (SUPPLY NEW ACCESS TO CRAWL SPACE NONE IS PRESENT AT THIS TIME.)
6. INSTALL NEW FUEL FILTER , FUSIBLE LINK, TIGER LOOP AND FUEL PIPING TO FURNACE AND HOT WATER TANK. SEE M3.0
7. INSTALL NEW WARMING TANK (WP-2)



**01 CONSTRUCTION PLAN**  
M1.1 SCALE: 3/16"=1'-0"



**PERMIT TO PRACTICE**  
CAN-TEC SERVICES LTD.  
Signature J.V. Loesel Sitar  
Date 4.6.18  
**PERMIT NUMBER: P 647**  
NWT/NU Association of Professional  
Engineers and Geoscientists



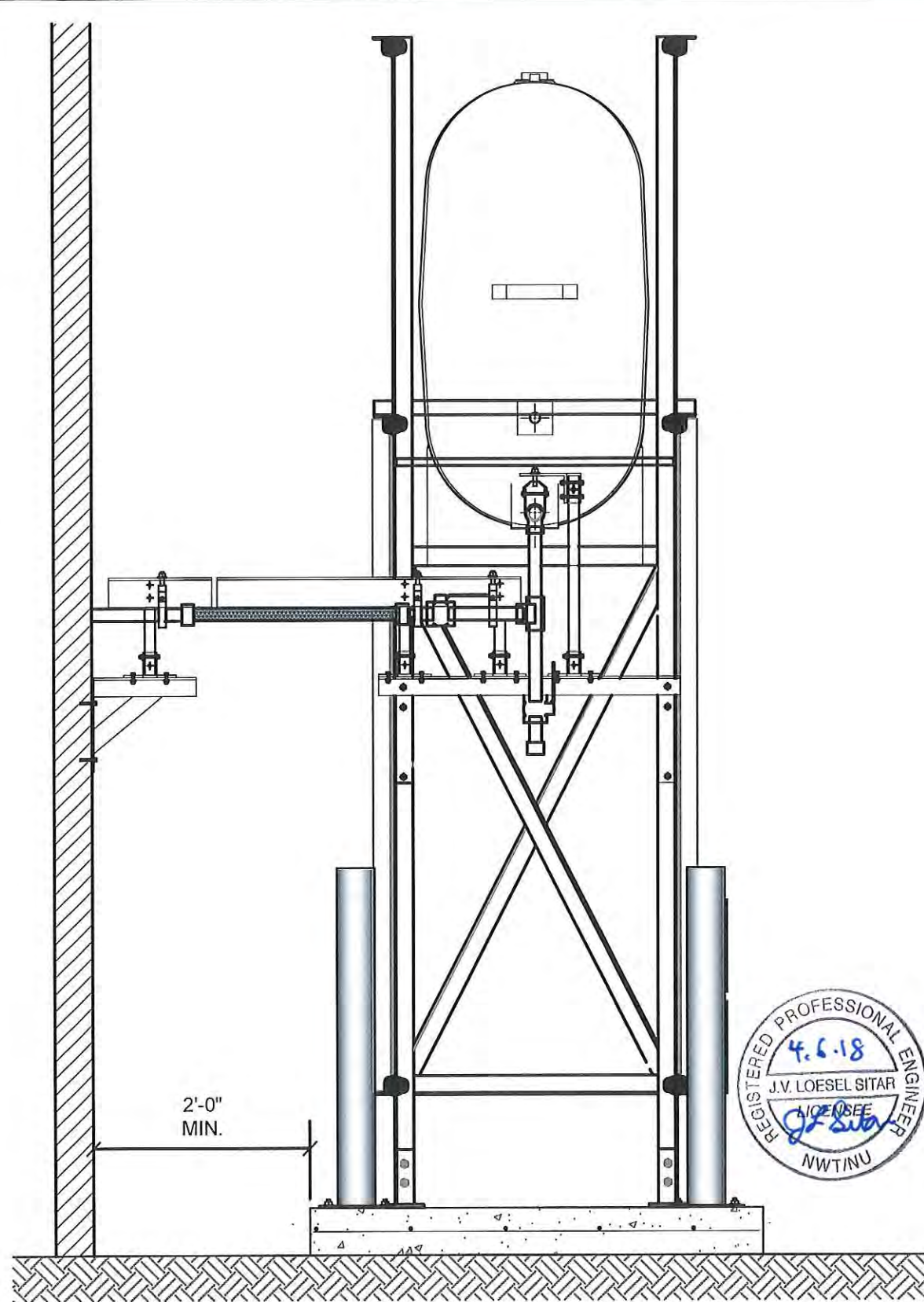
PROJECT TITLE:  
RCMP "V" DIVISION OIL TANK REPLACEMENT - POND INLET  
V140 - RESIDENCE , POND INLET  
SHEET TITLE:  
CONSTRUCTION PLAN  
PROJECT NUMBER:  
16-028-14-30

00	ISSUED FOR TENDER	18 05 18	JLS
REV. #	REVISION	DATE (YY MM DD)	REV. BY

REV. #	REVISION	DATE (YY MM DD)	REV. BY
--------	----------	-----------------	---------

SCALE:  
AS NOTED  
DATE (YY MM DD):  
17 06 09

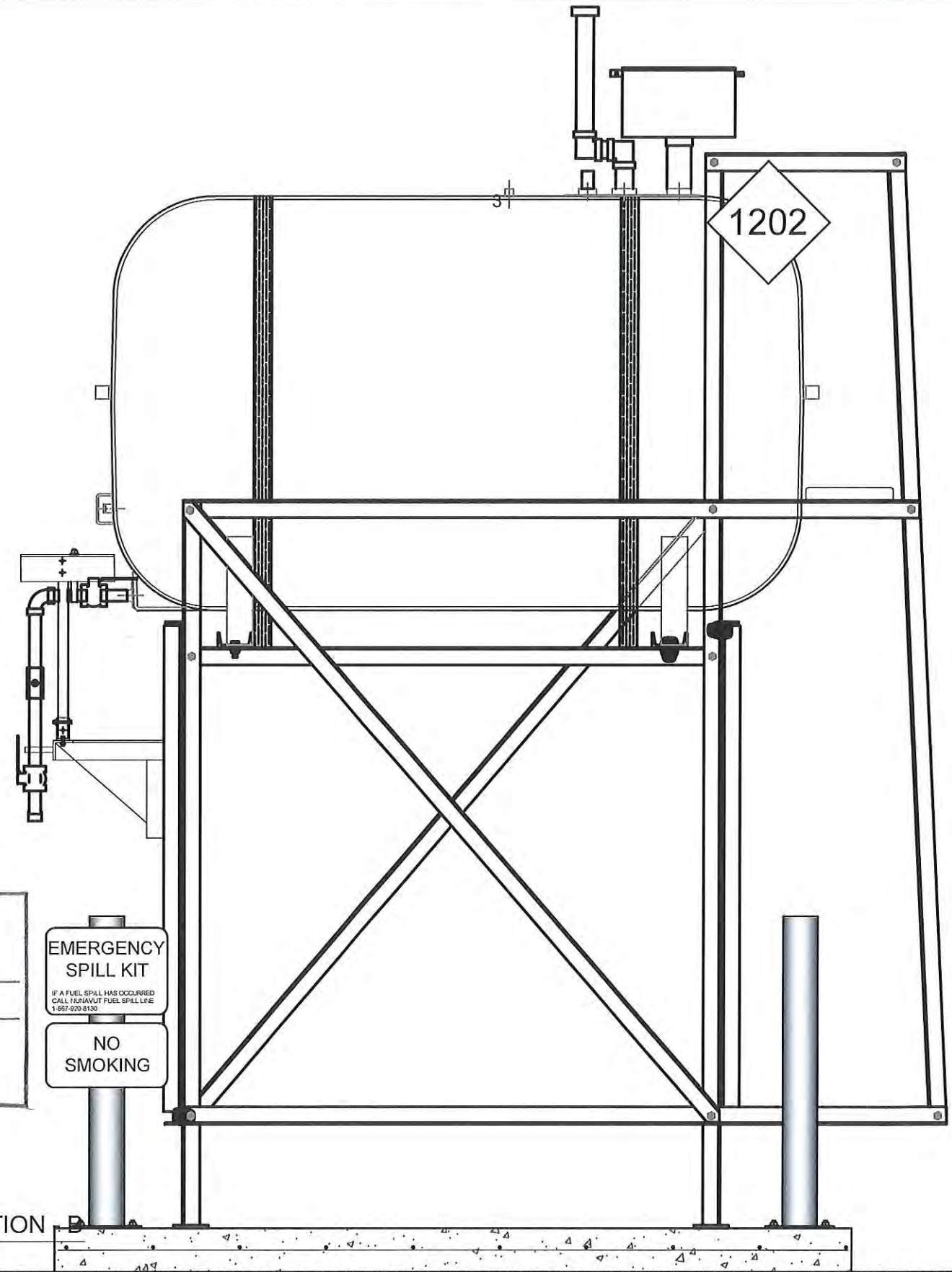
DRAWING NUMBER:  
**M1.1**  
REVISION NUMBER:  
00



01 OIL TANK ELEVATION - A  
M2.0 SCALE: 3/4"=1'-0"



PERMIT TO PRACTICE  
CAN-TEC SERVICES LTD.  
Signature *J.V. Loesel Sitar*  
Date *4.6.18*  
PERMIT NUMBER: P 647  
NWT/NU Association of Professional  
Engineers and Geoscientists



02 OIL TANK ELEVATION  
M2.0 SCALE: 3/4"=1'-0"



PROJECT TITLE:  
RCMP "V" DIVISION OIL TANK REPLACEMENT - POND INLET  
V140 - RESIDENCE, POND INLET  
SHEET TITLE:  
TANK ELEVATIONS  
PROJECT NUMBER:  
16-028-14-30

00	ISSUED FOR TENDER	18 05 18	JLS
REV. #	REVISION	DATE (YY MM DD)	REV. BY

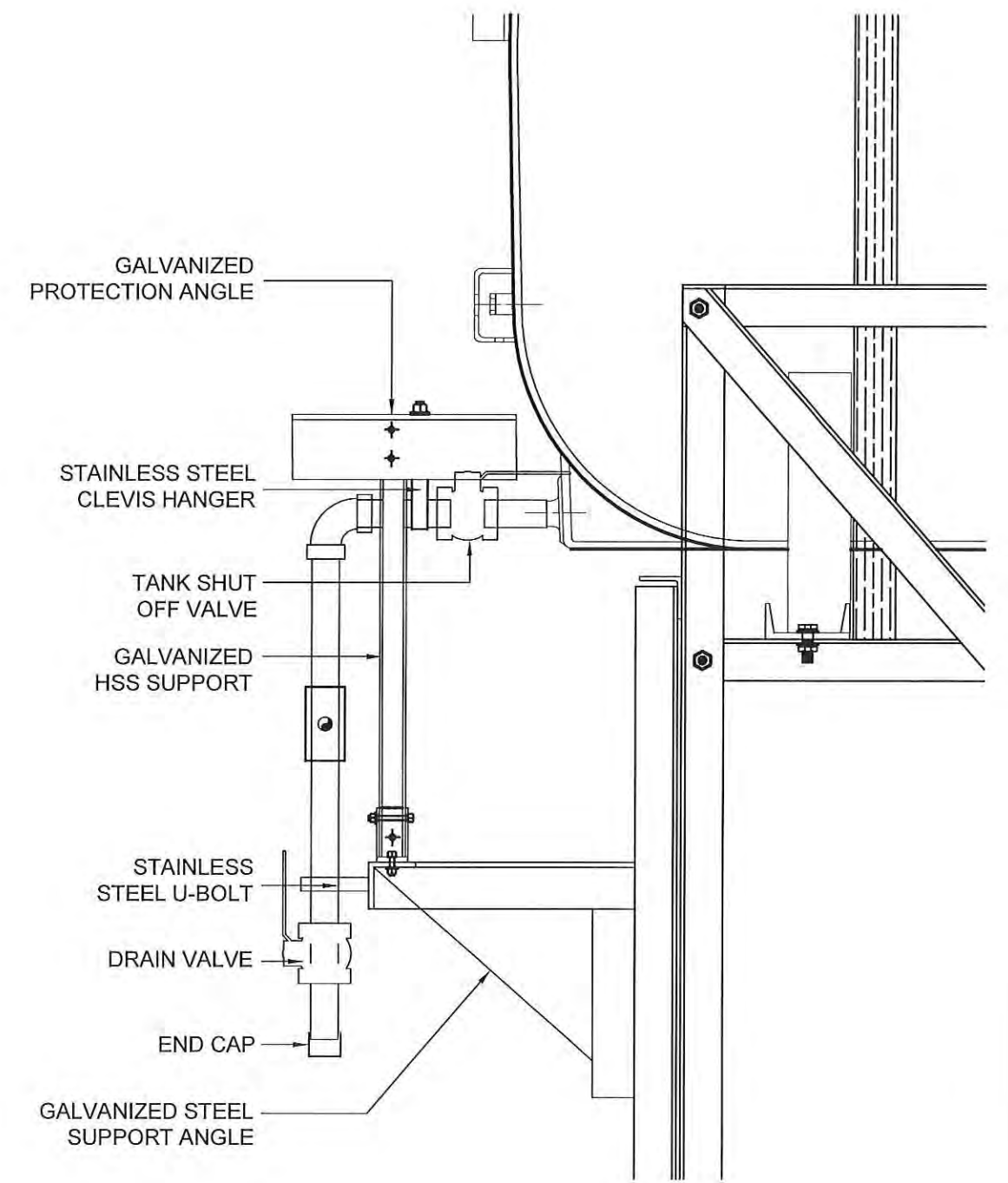
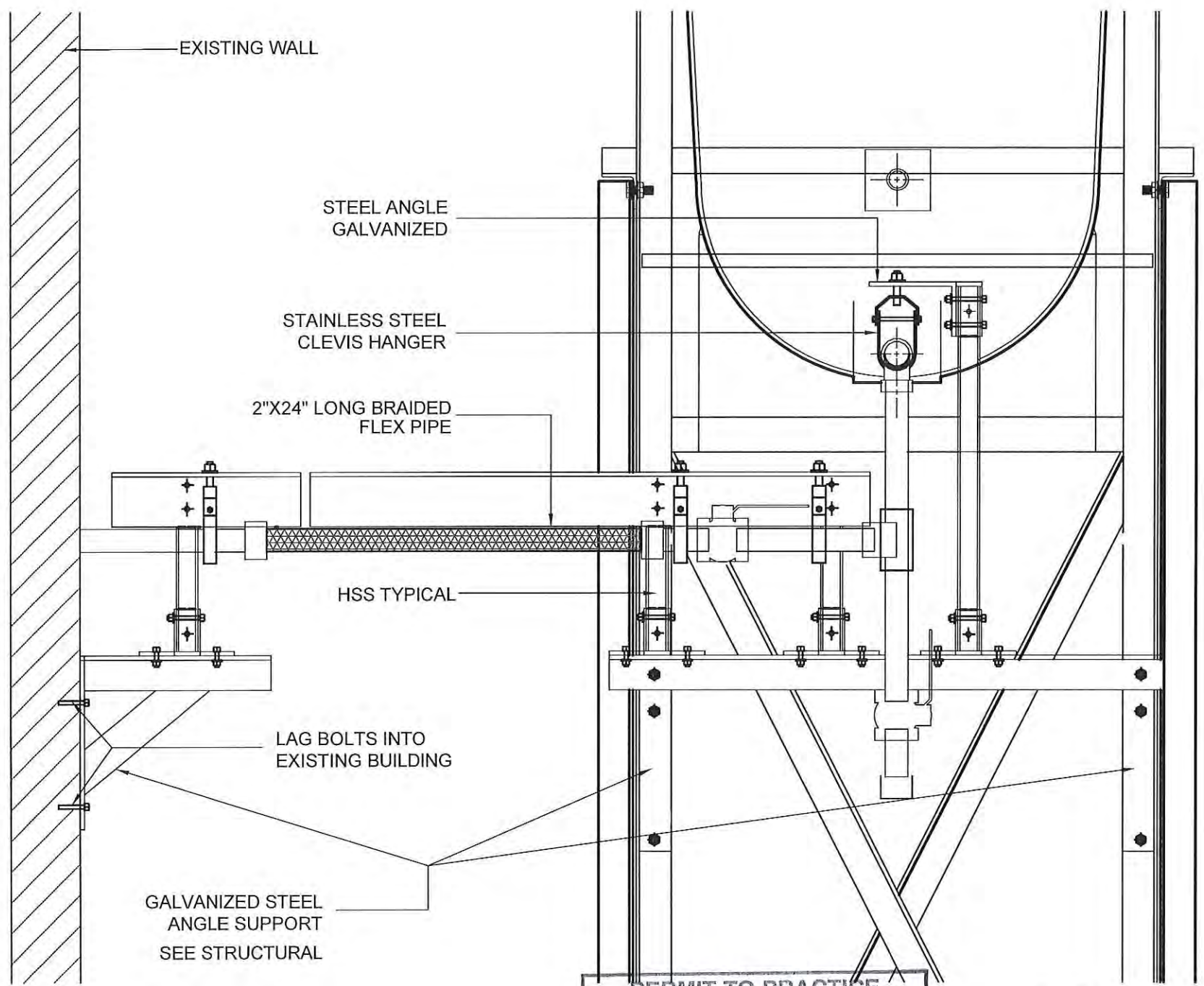
REV. #	REVISION	DATE (YY MM DD)	REV. BY
--------	----------	-----------------	---------

SCALE:  
AS NOTED  
DATE (YY MM DD):  
17 06 09

DRAWING NUMBER:

M2.0

REVISION NUMBER:  
00



01 FRONT VIEW  
M2.1 SCALE: 1 1/2"-1'-0"

02 SIDE VIEW  
M2.1 SCALE: 1 1/2"-1'-0"

PERMIT TO PRACTICE  
CAN-TEC SERVICES LTD.  
Signature *J.V. Loesel Sitar*  
Date *4.6.18*  
PERMIT NUMBER: P 647  
NWT/NU Association of Professional  
Engineers and Geoscientists



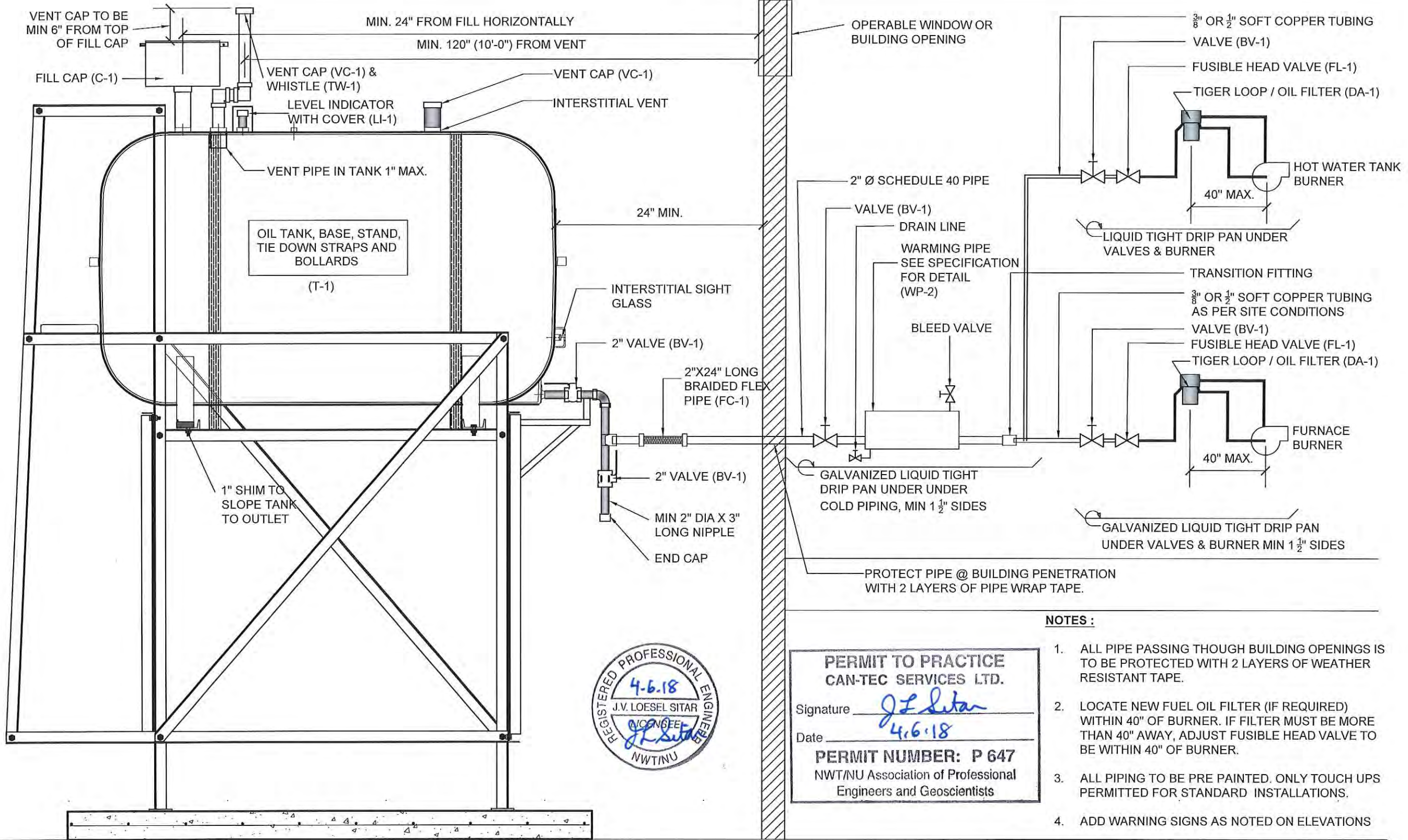
PROJECT TITLE:  
RCMP "V" DIVISION OIL TANK REPLACEMENT - POND INLET  
V140 - RESIDENCE, POND INLET  
SHEET TITLE:  
2" FUEL LINE SUPPORT DETAIL  
PROJECT NUMBER:  
16-028-14-30

00	ISSUED FOR TENDER	18 05 18	JLS
REV. #	REVISION	DATE (YY MM DD)	REV. BY

REV. #	REVISION	DATE (YY MM DD)	REV. BY
--------	----------	-----------------	---------

SCALE:  
AS NOTED  
DATE (YY MM DD):  
17 03 06

DRAWING NUMBER:  
**M2.1**  
REVISION NUMBER:  
00



**PERMIT TO PRACTICE**  
**CAN-TEC SERVICES LTD.**  
 Signature J.V. Loesel Sitar  
 Date 4.6.18  
**PERMIT NUMBER: P 647**  
 NWT/NU Association of Professional  
 Engineers and Geoscientists

**NOTES :**

1. ALL PIPE PASSING THOUGH BUILDING OPENINGS IS TO BE PROTECTED WITH 2 LAYERS OF WEATHER RESISTANT TAPE.
2. LOCATE NEW FUEL OIL FILTER (IF REQUIRED) WITHIN 40" OF BURNER. IF FILTER MUST BE MORE THAN 40" AWAY, ADJUST FUSIBLE HEAD VALVE TO BE WITHIN 40" OF BURNER.
3. ALL PIPING TO BE PRE PAINTED. ONLY TOUCH UPS PERMITTED FOR STANDARD INSTALLATIONS.
4. ADD WARNING SIGNS AS NOTED ON ELEVATIONS

01 SCHEMATIC - TANK, PIPING & ACCESSORIES : ON STAND  
 M3.0 SCALE: NTS



PROJECT TITLE:  
 RCMP "V" DIVISION OIL TANK REPLACEMENT - POND INLET  
 V140 - RESIDENCE , POND INLET  
 SHEET TITLE:  
 SCHEMATIC  
 PROJECT NUMBER:  
 16-028-14-30

00	ISSUED FOR TENDER	18 05 18	JLS
REV. #	REVISION	DATE (YY MM DD)	REV. BY

REV. #	REVISION	DATE (YY MM DD)	REV. BY
--------	----------	-----------------	---------

SCALE:  
 AS NOTED  
 DATE (YY MM DD):  
 17 06 09

DRAWING NUMBER:  
**M3.0**  
 REVISION NUMBER:  
 00

# FUEL TANK REPAIR AND REPLACEMENT PROJECT PANGNIRTUNG, NUNAVUT

## DRAWING LIST:

### V471 - NEW DUPLEX

M1.0 CONSTRUCTION PLAN  
M2.0 TANK ELEVATIONS  
M2.1 2" FUEL LINE SUPPORT DETAILS  
M3.0 SCHEMATIC

### V128 - RESIDENCE

M1.0 DEMOLITION AND CONSTRUCTION PLAN  
M2.0 SECTION DETAILS  
M2.1 2" FUEL LINE SUPPORT DETAILS  
M3.0 SCHEMATIC - TANK, PIPING & ACCESSORIES

### V129 - STORAGE GYM

M1.0 DEMOLITION AND CONSTRUCTION PLAN  
M2.0 SECTION DETAILS  
M2.1 2" FUEL LINE SUPPORT DETAILS  
M3.0 SCHEMATIC - TANK, PIPING & ACCESSORIES

### V131 - RESIDENCE

M1.0 DEMOLITION AND CONSTRUCTION PLAN  
M2.0 SECTION DETAILS  
M2.1 2" FUEL LINE SUPPORT DETAILS  
M3.0 SCHEMATIC - TANK, PIPING & ACCESSORIES



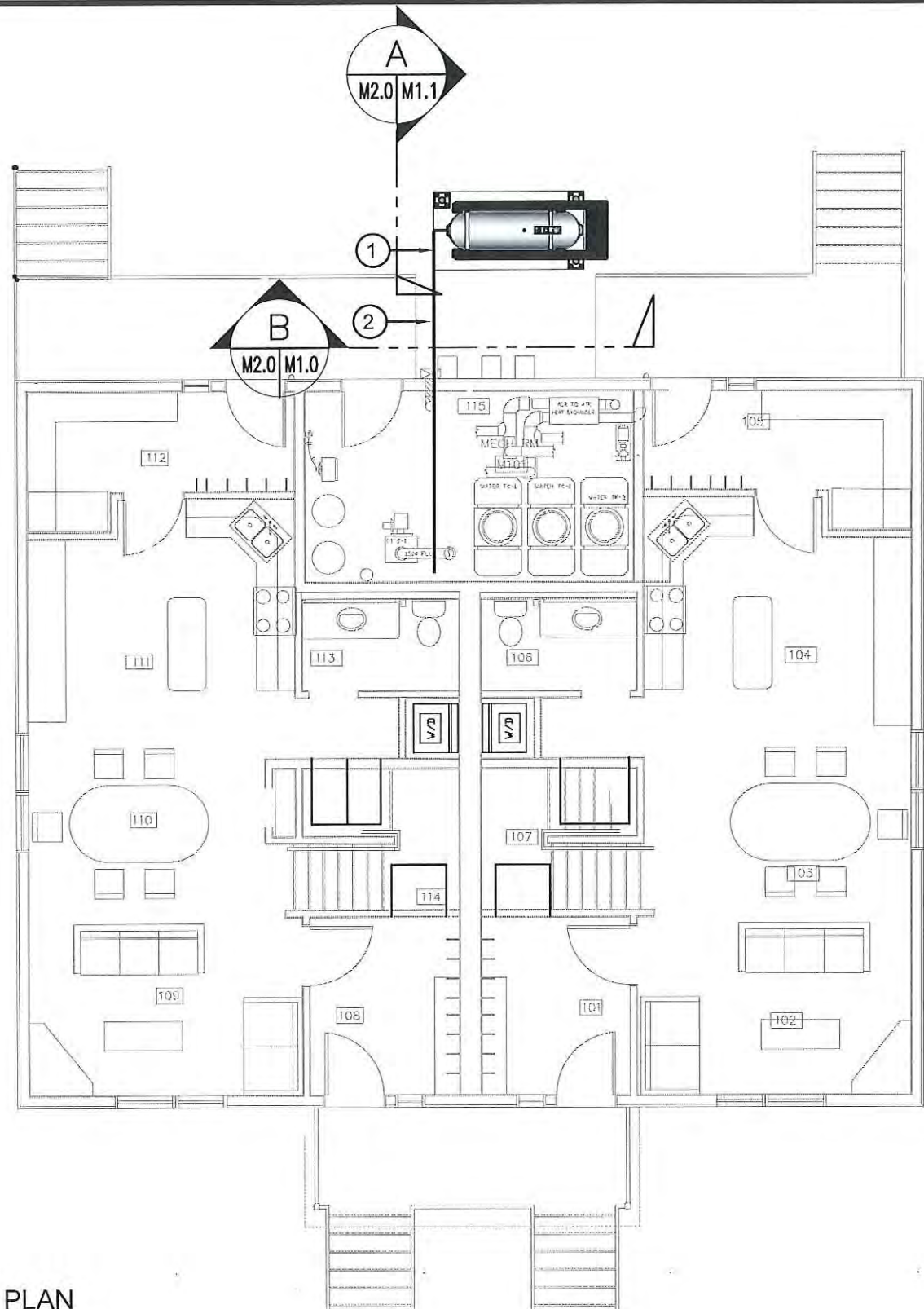
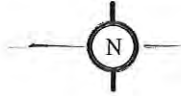
PROJECT TITLE:  
RCMP "V" DIVISION OIL TANK REPLACEMENT - PANGNIRTUNG  
SHEET TITLE:  
TITLE PAGE  
PROJECT NUMBER:  
16-028-14-30

REV. #	REVISION	DATE (YY MM DD)	REV. BY
00	ISSUED FOR TENDER	18 05 28	JLS

REV. #	REVISION	DATE (YY MM DD)	REV. BY

SCALE:  
AS NOTED  
DATE (YY MM DD):  
17 01 30

DRAWING NUMBER:  
**M0.0**  
REVISION NUMBER:  
00



**CONSTRUCTION NOTES:** #

1. INSTALL NEW PIPING SUPPORT AS PER SHEET M2.1.  
INSTALL PIPE HANGERS AS REQUIRED TO SUPPORT PIPING UNDER DUPLEX
2. REMOVE ALL EXTERIOR VALVES AND REPLACE AS PER SCHEMATIC M3.0
3. ADD SPILL CAP AS PER SCHEMATIC M3.0
4. ADD SIGNS AND BOLLARDS AS PER ELEVATION M2.0

01 CONSTRUCTION PLAN  
M1.0 SCALE: 1/8"=1'-0"

PERMIT TO PRACTICE  
CAN-TEC SERVICES LTD.  
Signature *J.V. Loesel Sitar*  
Date *6-6-18*  
PERMIT NUMBER: P 647  
NWT/NU Association of Professional  
Engineers and Geoscientists



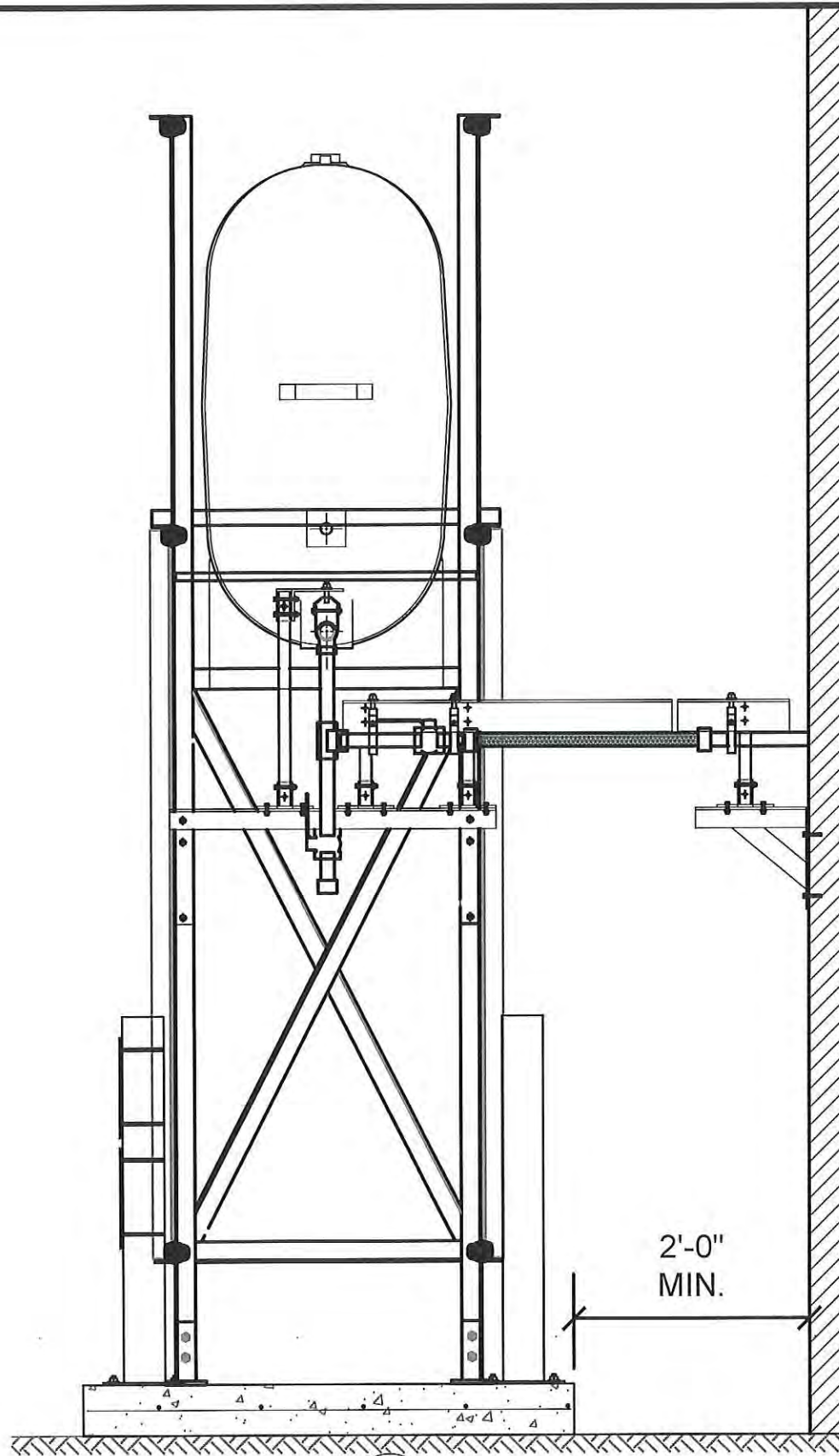
PROJECT TITLE:  
RCMP "V" DIVISION OIL TANK REPLACEMENT  
V471 - NEW DUPLEX, PANGNIRTUNG  
SHEET TITLE:  
CONSTRUCTION PLAN  
PROJECT NUMBER:  
16-028-14-30

00 ISSUED FOR TENDER 18 05 28 JLS  
REV. # | REVISION | DATE (YY MM DD) | REV. BY

REV. # | REVISION | DATE (YY MM DD) | REV. BY

SCALE:  
AS NOTED  
DATE (YY MM DD):  
17 03 03

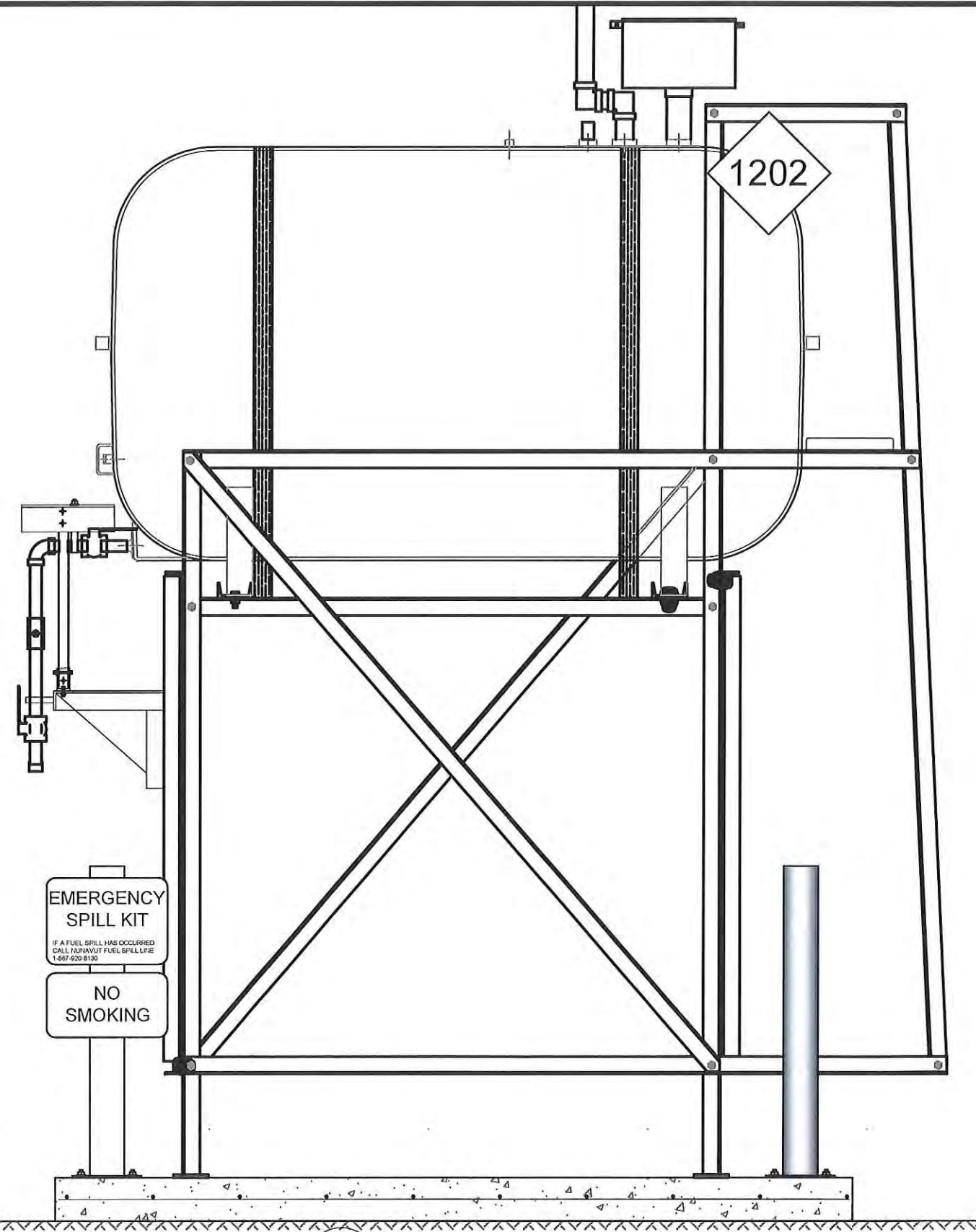
DRAWING NUMBER:  
**M1.0**  
REVISION NUMBER:  
03



01 OIL TANK ELEVATION - A  
M2.0 SCALE: 3/4"-1'-0"

PERMIT TO PRACTICE  
CAN-TEC SERVICES LTD.  
Signature J. Loesel Sitar  
Date 6.6.18  
PERMIT NUMBER: P 647  
NWT/NU Association of Professional  
Engineers and Geoscientists

TANK STANDS MAY  
NOT BE EXACTLY  
AS SHOWN



02 OIL TANK ELEVATION - B  
M2.0 SCALE: 3/4"-1'-0"



PROJECT TITLE:  
RCMP "V" DIVISION OIL TANK REPLACEMENT  
V471 - NEW DUPLEX, PANGNIRTUNG  
SHEET TITLE:  
TANK ELEVATIONS  
PROJECT NUMBER:  
16-028-14-30

00	ISSUED FOR TENDER	18 05 28	JLS
REV. #	REVISION	DATE (YY MM DD)	REV. BY

REV. #	REVISION	DATE (YY MM DD)	REV. BY
--------	----------	-----------------	---------

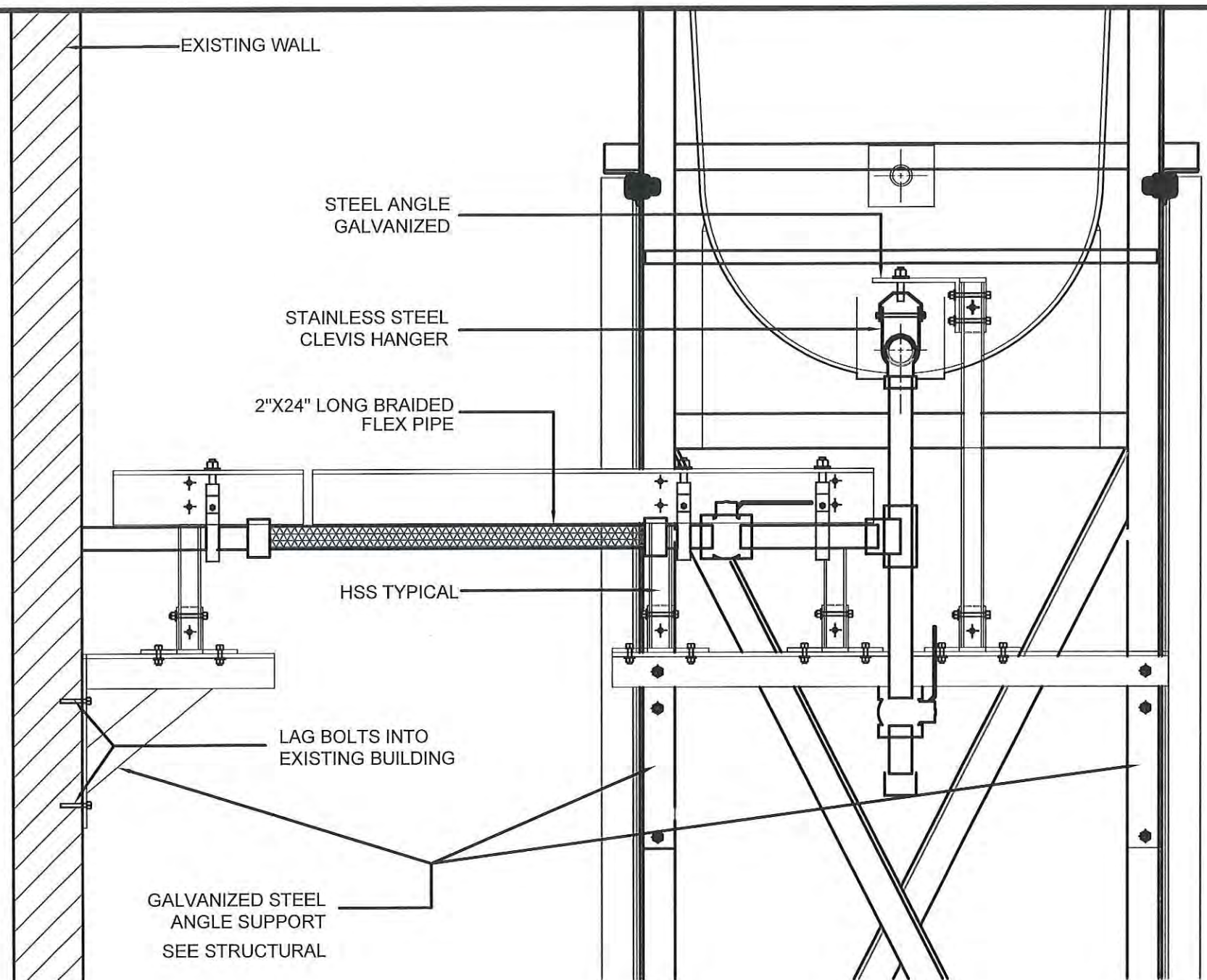
SCALE:  
AS NOTED  
DATE (YY MM DD):  
17 03 03

DRAWING NUMBER:

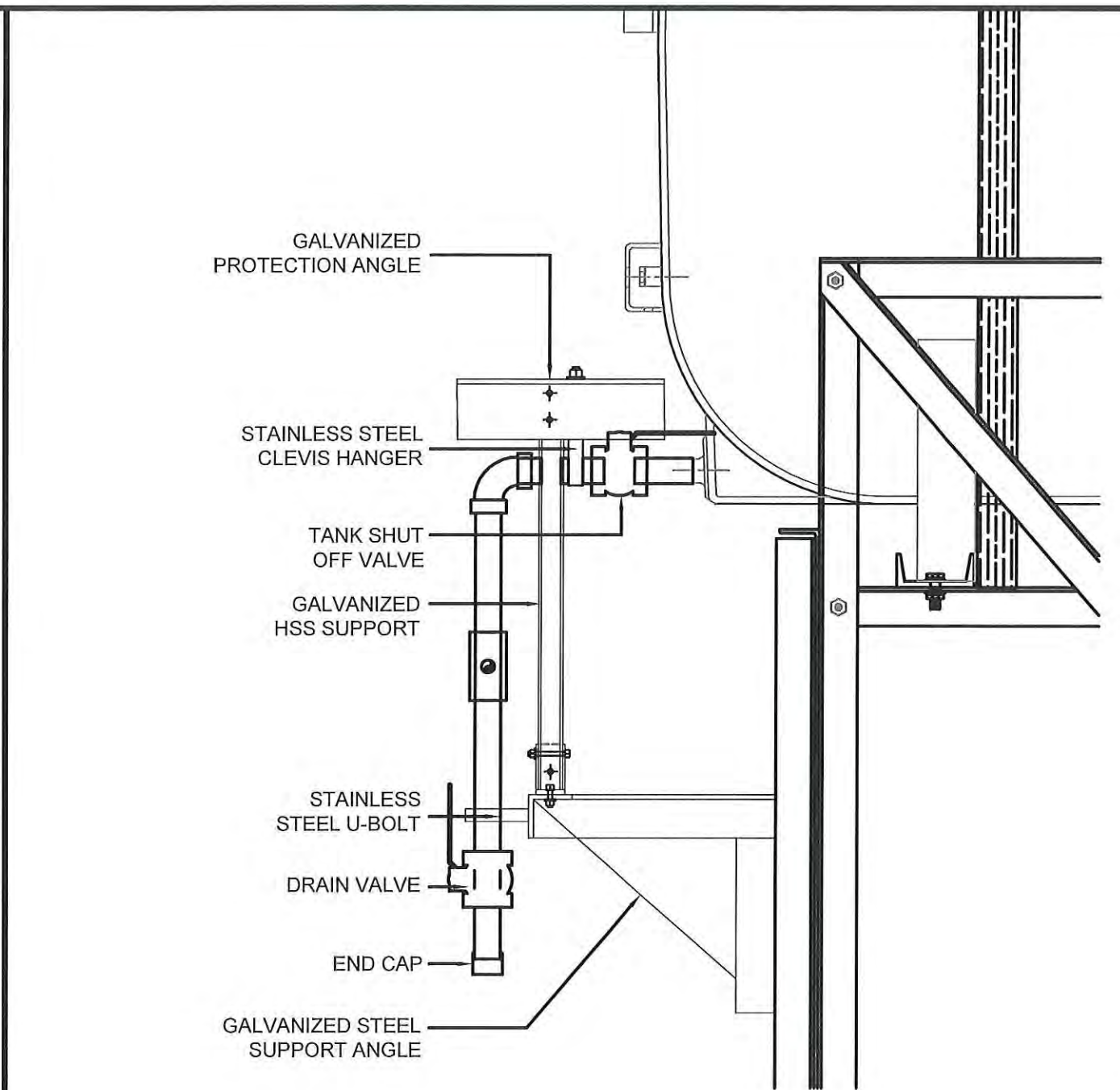
M2.0

REVISION NUMBER:  
00





01 FRONT VIEW  
M2.1 SCALE: 1 1/2"-1'-0"



02 SIDE VIEW  
M2.1 SCALE: 1 1/2"-1'-0"



PERMIT TO PRACTICE  
CAN-TEC SERVICES LTD.  
Signature J.V. Loesel Sitar  
Date 6-6-18  
PERMIT NUMBER: P 647  
NWT/NU Association of Professional  
Engineers and Geoscientists



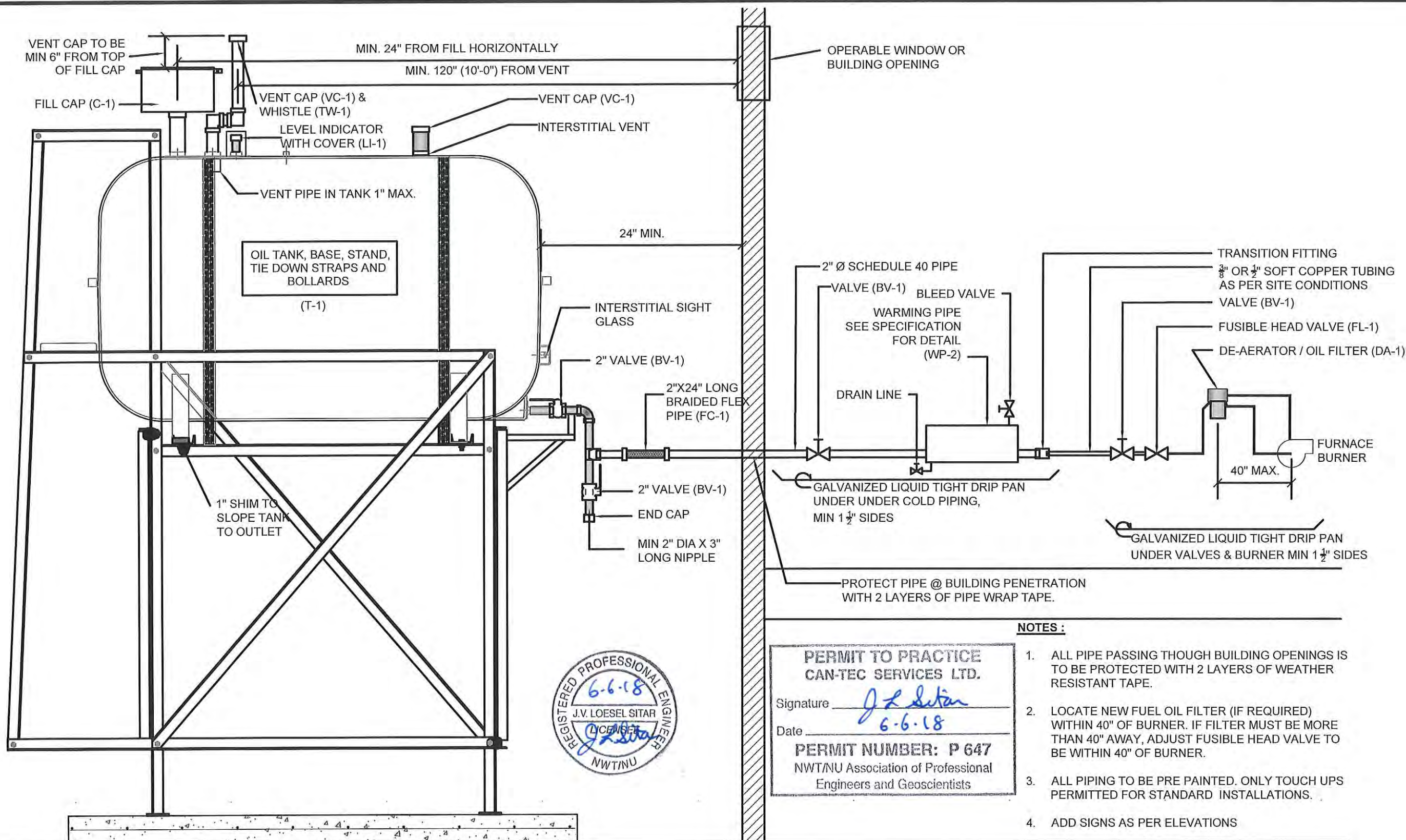
PROJECT TITLE:  
RCMP "V" DIVISION OIL TANK REPLACEMENT  
V471 - NEW DUPLEX, PANGNIRTUNG  
SHEET TITLE:  
2" FUEL LINE SUPPORT DETAIL  
PROJECT NUMBER:  
16-028-14-30

REV. #	REVISION	DATE (YY MM DD)	REV. BY
00	ISSUED FOR TENDER	18 05 28	JLS

REV. #	REVISION	DATE (YY MM DD)	REV. BY

SCALE:  
AS NOTED  
DATE (YY MM DD):  
17 03 03

DRAWING NUMBER:  
**M2.1**  
REVISION NUMBER:  
00



**NOTES :**

**PERMIT TO PRACTICE**  
**CAN-TEC SERVICES LTD.**

Signature J. Loesel Sitar  
 Date 6-6-18

**PERMIT NUMBER: P 647**  
 NWT/NU Association of Professional  
 Engineers and Geoscientists

1. ALL PIPE PASSING THOUGH BUILDING OPENINGS IS TO BE PROTECTED WITH 2 LAYERS OF WEATHER RESISTANT TAPE.
2. LOCATE NEW FUEL OIL FILTER (IF REQUIRED) WITHIN 40" OF BURNER. IF FILTER MUST BE MORE THAN 40" AWAY, ADJUST FUSIBLE HEAD VALVE TO BE WITHIN 40" OF BURNER.
3. ALL PIPING TO BE PRE PAINTED. ONLY TOUCH UPS PERMITTED FOR STANDARD INSTALLATIONS.
4. ADD SIGNS AS PER ELEVATIONS

01 SCHEMATIC - TANK, PIPING & ACCESSORIES : ON STAND  
 M3.0 SCALE: NTS



PROJECT TITLE:  
 RCMP "V" DIVISION OIL TANK REPLACEMENT  
 V471 - NEW DUPLEX, PANGNIRTUNG

SHEET TITLE:  
 SCHEMATIC

PROJECT NUMBER:  
 16-028-14-30

00	ISSUED FOR TENDER	18 05 28	JLS
REV. #	REVISION	DATE (YY MM DD)	REV. BY

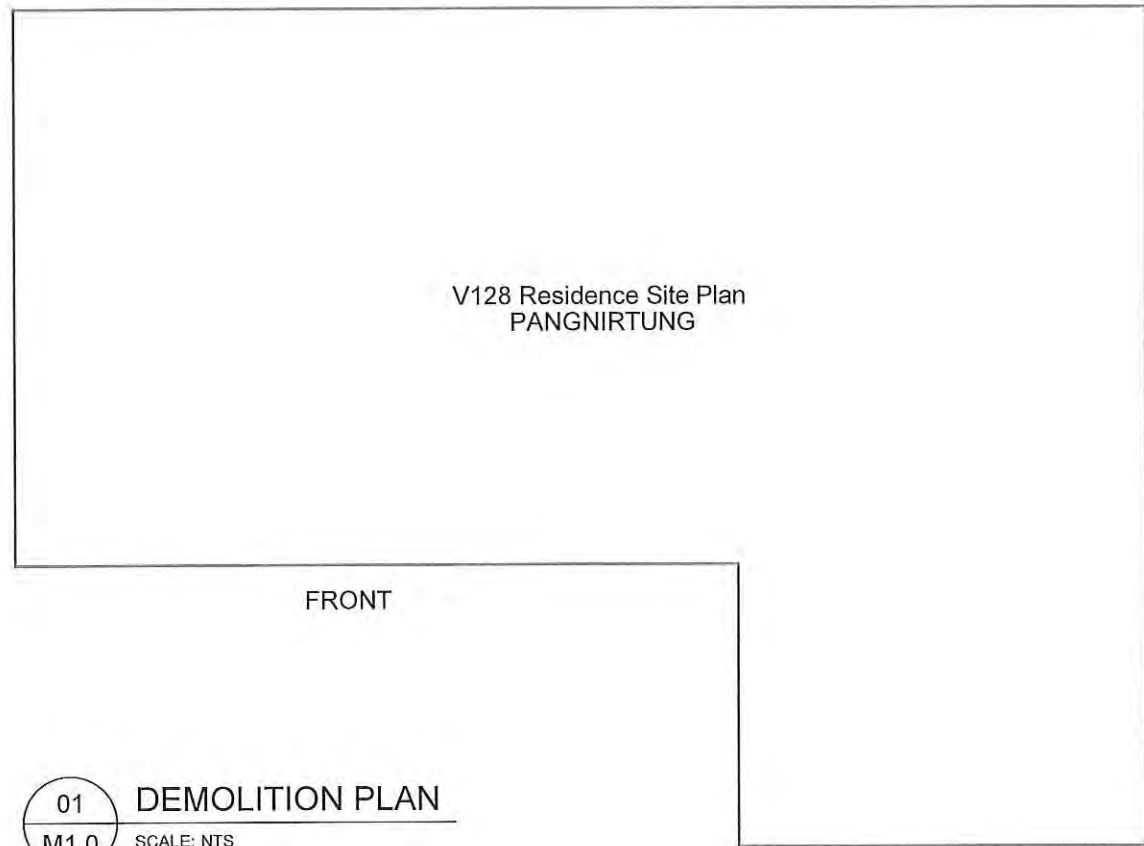
REV. #	REVISION	DATE (YY MM DD)	REV. BY
--------	----------	-----------------	---------

SCALE:  
 AS NOTED

DATE (YY MM DD):  
 17 03 03

DRAWING NUMBER:  
**M3.0**

REVISION NUMBER:  
 00

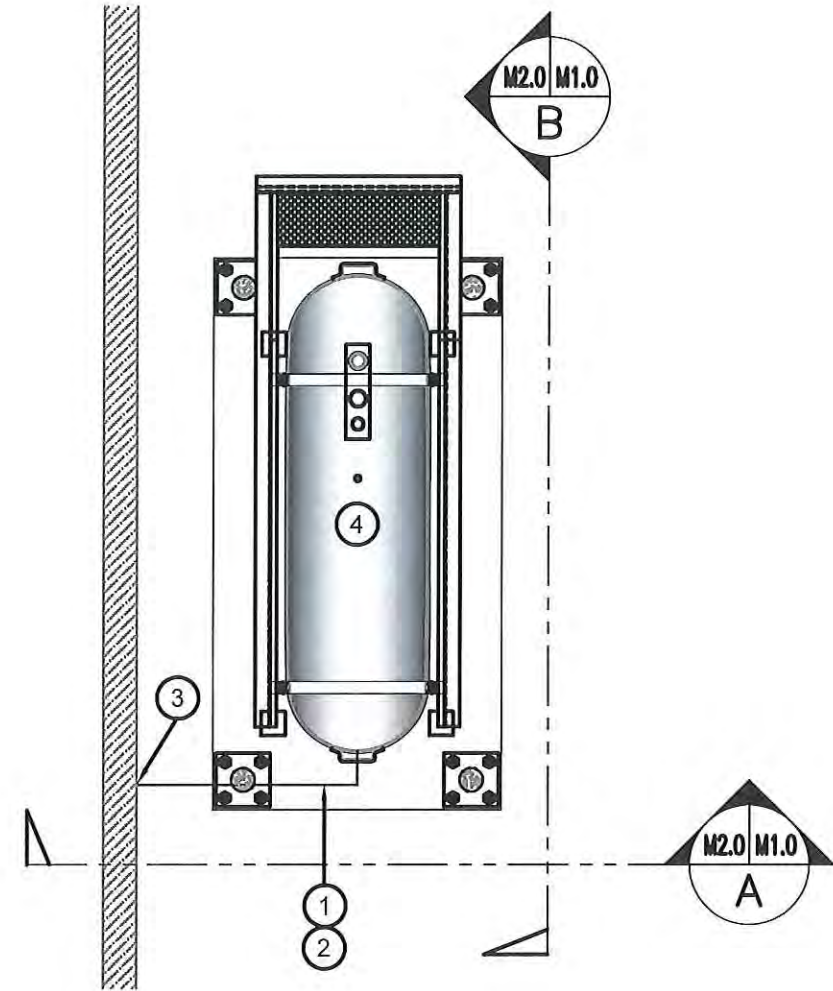


01 DEMOLITION PLAN  
M1.0 SCALE: NTS

DEMOLITION NOTES:

1. REMOVE ALL FUEL FROM THE TANK
2. DISCONNECT ALL PIPING FROM THE HOUSE.

**PERMIT TO PRACTICE  
CAN-TEC SERVICES LTD.**  
Signature J. Loesel  
Date 6-6-18  
**PERMIT NUMBER: P 647**  
NWT/NU Association of Professional  
Engineers and Geoscientists



02 CONSTRUCTION PLAN  
M1.0 SCALE: NTS

CONSTRUCTION NOTES: #

1. INSTALL NEW PIPING AND PIPE GUARDS TO EDGE OF WALL.
2. INSTALL NEW PIPING ACCESSORIES ON TANK.
3. INSTALL NEW SUPPORTS AND FLEXIBLE LINK AS PER M2.1 AND M3.0
4. MOVE TANK, STAND AND PAD 24" FROM EDGE OF BUILDING AS PER M2.0



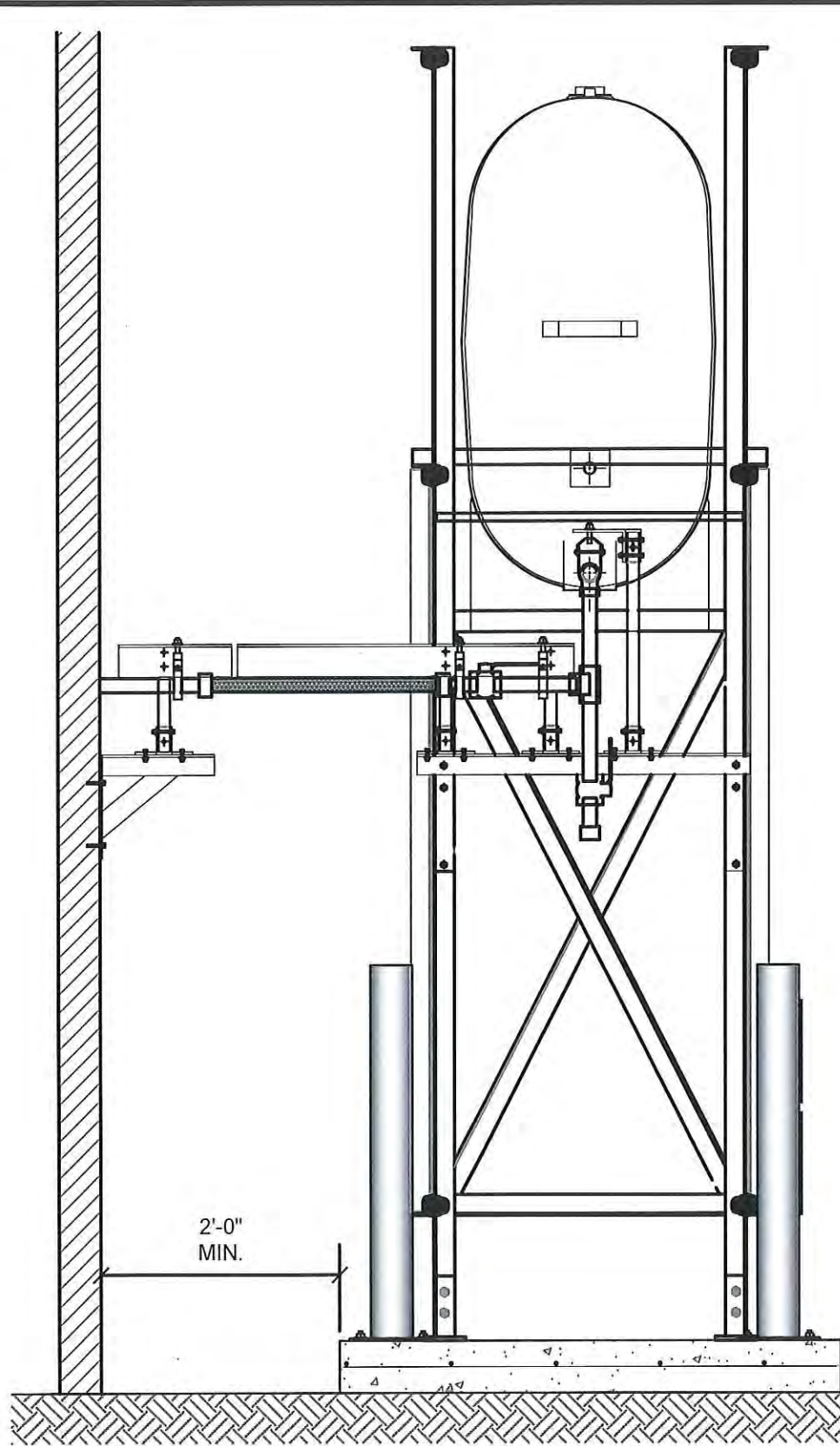
PROJECT TITLE:  
RCMP "V" DIVISION OIL TANK REPLACEMENT  
V128 - RESIDENCE SITE PLAN, PANGNIRTUNG  
SHEET TITLE:  
DEMOLITION AND CONSTRUCTION  
PROJECT NUMBER:  
16-028-14-30

00 ISSUED FOR TENDER 18 05 28 JLS  
REV. # | REVISION | DATE (YY MM DD) | REV. BY

REV. # | REVISION | DATE (YY MM DD) | REV. BY

SCALE:  
AS NOTED  
DATE (YY MM DD):  
17 03 03

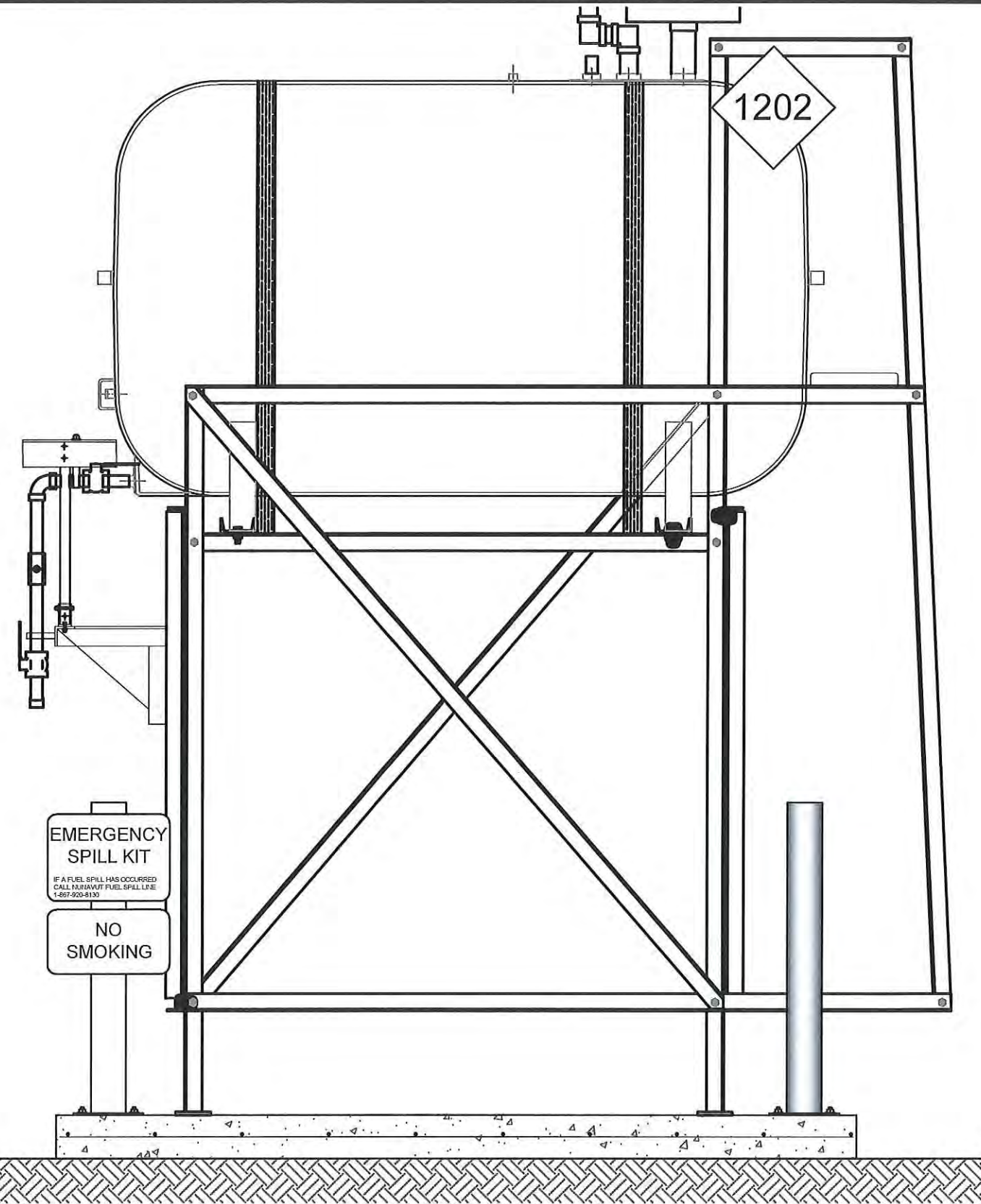
DRAWING NUMBER:  
**M1.0**  
REVISION NUMBER:  
00



01 OIL TANK ELEVATION - A  
M2.0 SCALE: 3/4"-1'-0"

PERMIT TO PRACTICE  
CAN-TEC SERVICES LTD.  
Signature *J.L. Sitar*  
Date *6.6.18*  
PERMIT NUMBER: P 647  
NWT/NU Association of Professional  
Engineers and Geoscientists

TANK STANDS MAY  
NOT BE EXACTLY  
AS SHOWN



02 OIL TANK ELEVATION - B  
M2.0 SCALE: 3/4"-1'-0"



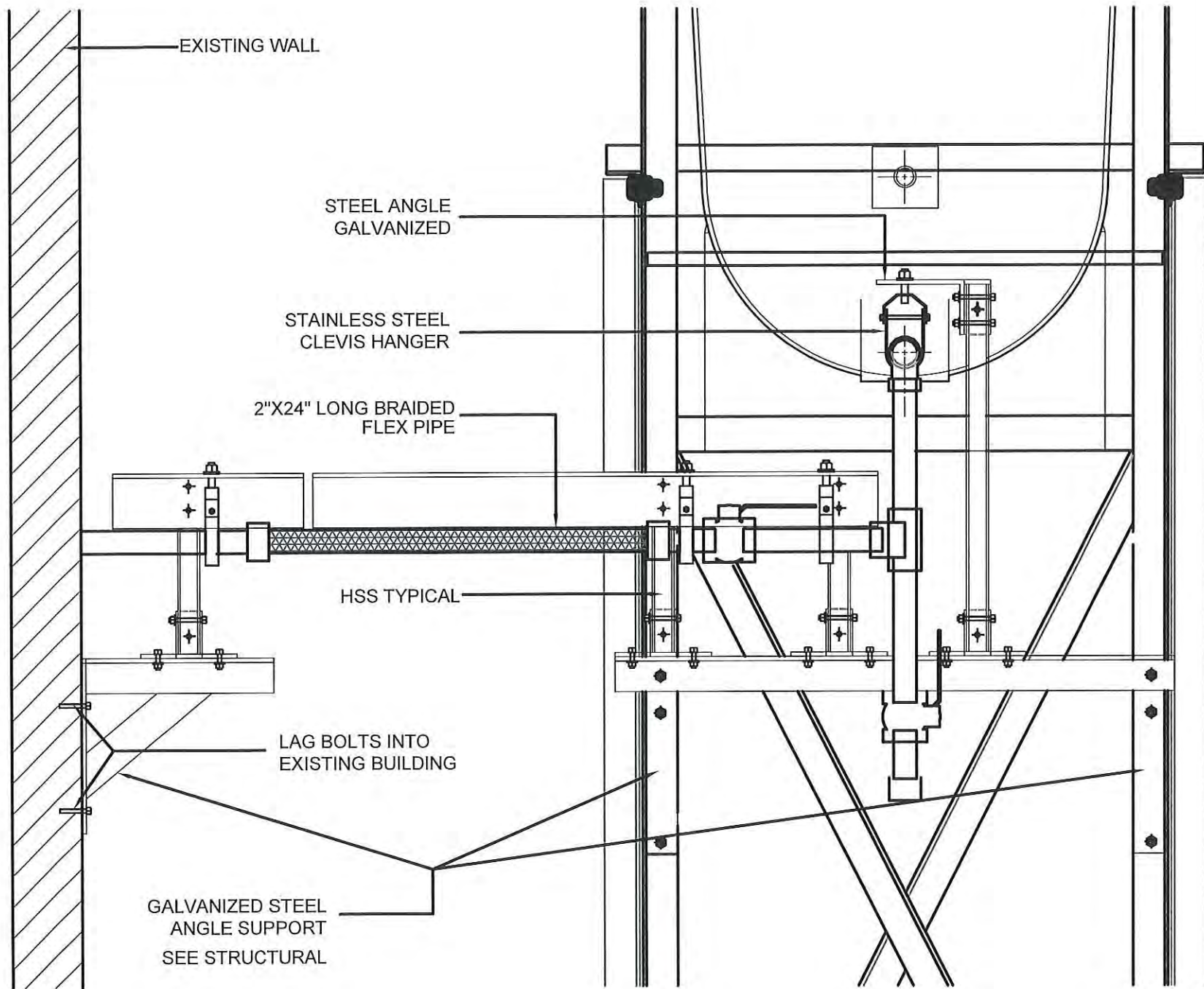
PROJECT TITLE:  
RCMP "V" DIVISION OIL TANK REPLACEMENT  
V128 - RESIDENCE SITE PLAN, PANGNIRTUNG  
SHEET TITLE:  
SECTION DETAILS  
PROJECT NUMBER:  
16-028-14-30

00	ISSUED FOR TENDER	18 05 28	JLS
REV. #	REVISION	DATE (YY MM DD)	REV. BY

REV. #	REVISION	DATE (YY MM DD)	REV. BY

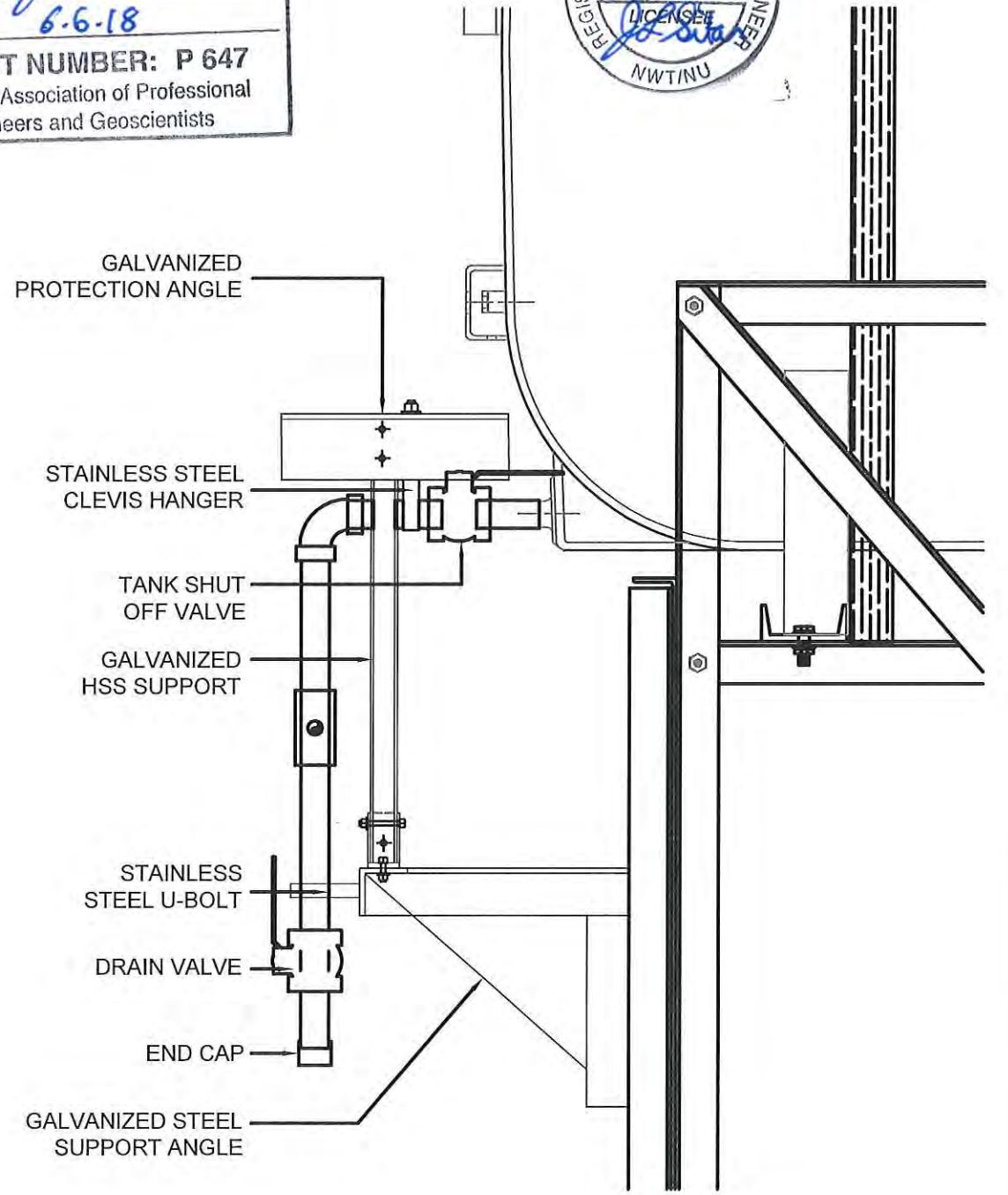
SCALE:  
AS NOTED  
DATE (YY MM DD):  
17 03 03

DRAWING NUMBER:  
**M2.0**  
REVISION NUMBER:  
00



01 2" FUEL LINE SUPPORT AND PROTECTION DETAIL TANK STAND  
 M2.0 SCALE: 1 1/2"-1'-0"

PERMIT TO PRACTICE  
 CAN-TEC SERVICES LTD.  
 Signature J. Loesel Sitar  
 Date 6-6-18  
 PERMIT NUMBER: P 647  
 NWT/NU Association of Professional  
 Engineers and Geoscientists



02 2" FUEL LINE SUPPORT AND PROTECTION DETAIL HORIZONTAL SECTION  
 M2.0 SCALE: 1 1/2"-1'-0"



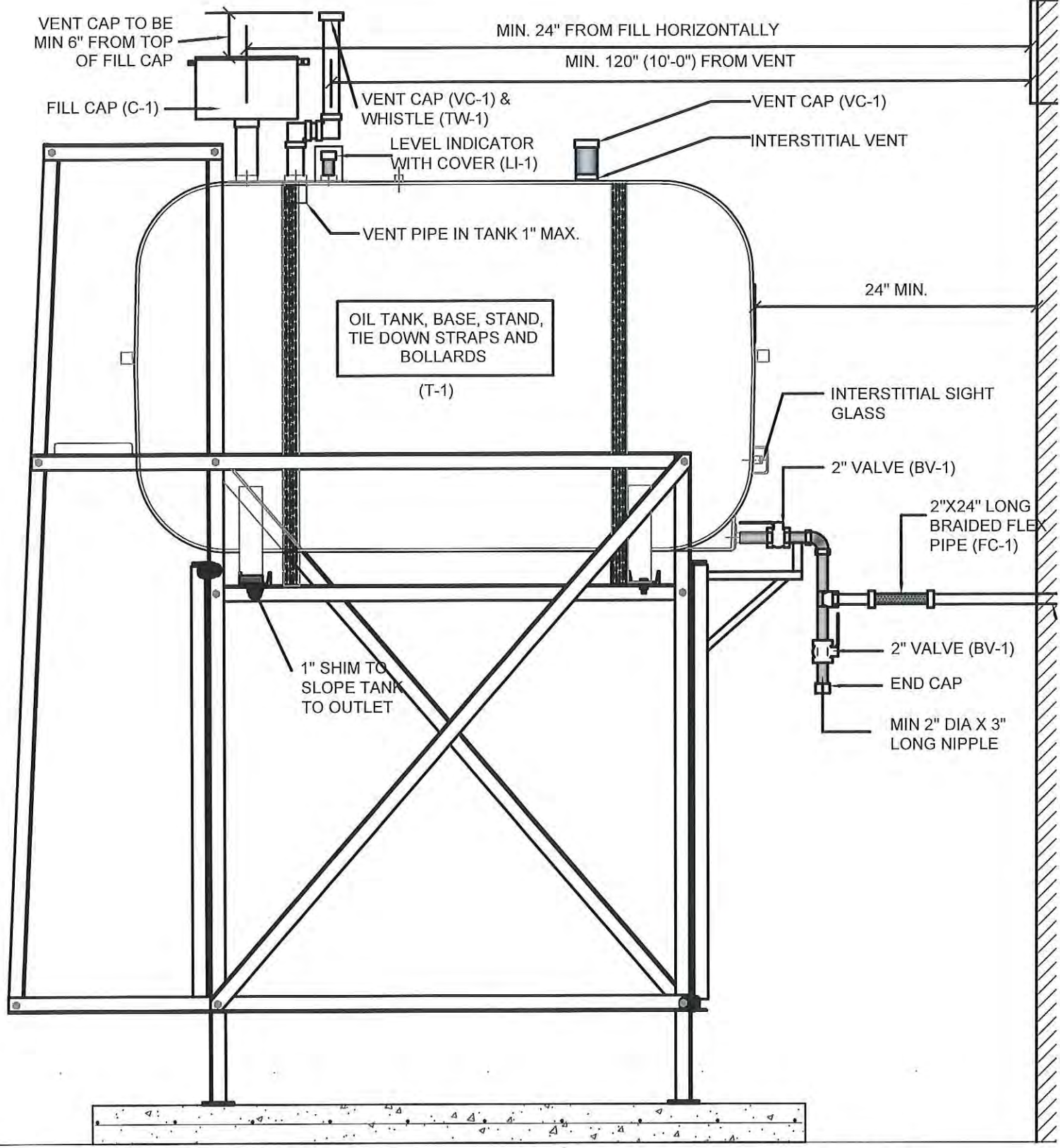
PROJECT TITLE:  
 RCMP "V" DIVISION OIL TANK REPLACEMENT  
 V128 - RESIDENCE SITE PLAN, PANGNIRTUNG  
 SHEET TITLE:  
 2" FUEL LINE SUPPORT DETAIL  
 PROJECT NUMBER:  
 16-028-14-30

00 ISSUED FOR TENDER 18 05 28 JLS  
 REV. # | REVISION | DATE (YY MM DD) | REV. BY

REV. # | REVISION | DATE (YY MM DD) | REV. BY

SCALE:  
 AS NOTED  
 DATE (YY MM DD):  
 17 03 03

DRAWING NUMBER:  
**M2.1**  
 REVISION NUMBER:  
 00



NOTES:

1. INSTALL ALL NEW ACCESSORIES TO TOP OF TANK
2. REMOVE EXISTING FLEXIBLE LINK AND INSTALL NEW FLEXIBLE LINK
3. REMOVE ALL EXISTING VALVES AND INSTALL NEW VALVES AS SHOWN. EXISTING VALVES ARE NOT TO SPECIFICATION

PERMIT TO PRACTICE  
CAN-TEC SERVICES LTD.  
Signature J. Loesel Sitar  
Date 6-6-18  
PERMIT NUMBER: P 647  
NWT/NU Association of Professional  
Engineers and Geoscientists



1 SCHEMATIC - TANK PIPING & ACCESSORIES : ON STAND  
M3.0 SCALE: NTS



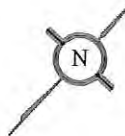
PROJECT TITLE:  
RCMP "V" DIVISION OIL TANK REPLACEMENT  
V128 RESIDENCE, PANGNIRTUNG  
SHEET TITLE:  
SCHEMATIC - TANK, PIPING & ACCESSORIES  
PROJECT NUMBER:  
16-028-14-30

00	ISSUED FOR TENDER	18 05 28	JLS
REV. #	REVISION	DATE (YY MM DD)	REV. BY

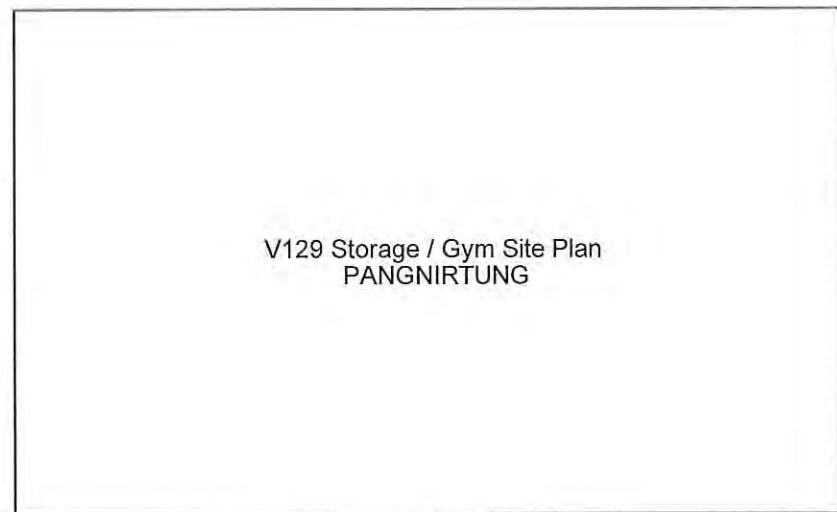
REV. #	REVISION	DATE (YY MM DD)	REV. BY
--------	----------	-----------------	---------

SCALE:  
AS NOTED  
DATE (YY MM DD):  
17 03 08

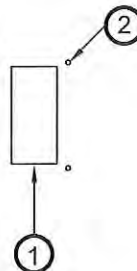
DRAWING NUMBER:  
**M3.0**  
REVISION NUMBER:  
00



FRONT



V129 Storage / Gym Site Plan  
PANGNIRTUNG

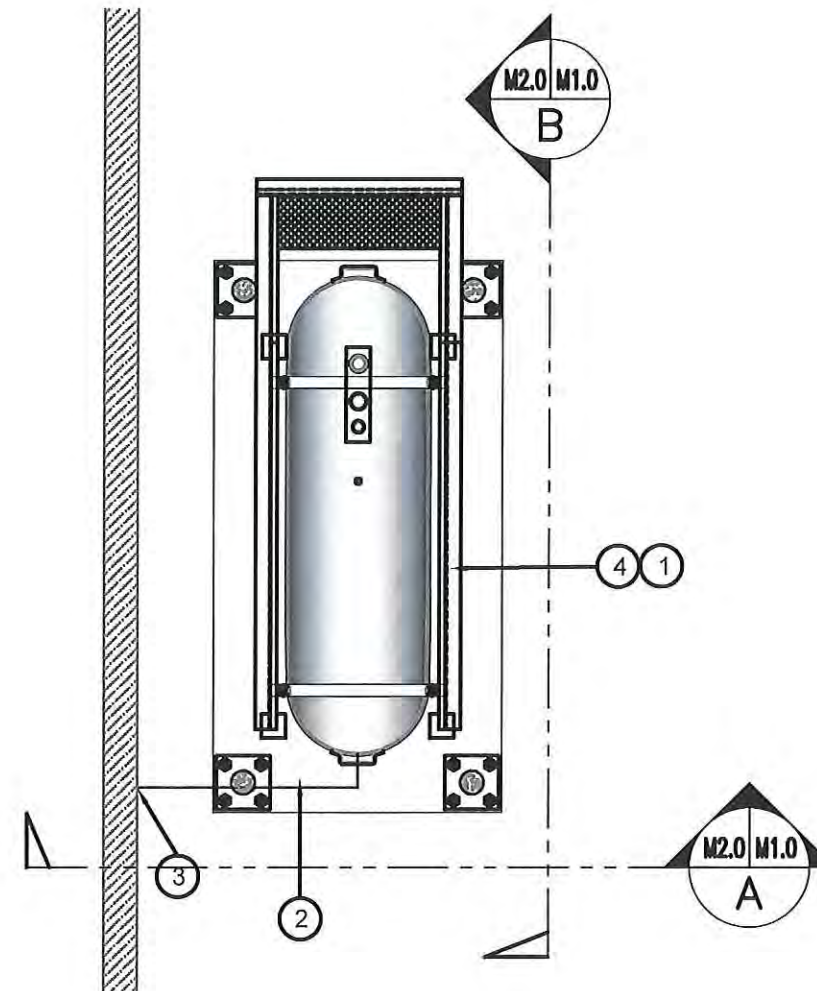
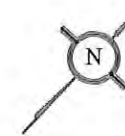


02 DEMOLITION PLAN  
M1.0 SCALE: NTS

DEMOLITION NOTES:

1. REMOVE ALL FUEL FROM THE TANK
2. DISCONNECT ALL PIPING FROM THE GYM
3. SALVAGE EXISTING FIBERGLASS TANK.

**PERMIT TO PRACTICE  
CAN-TEC SERVICES LTD.**  
 Signature J. V. Loezel Sitar  
 Date 6-6-18  
**PERMIT NUMBER: P 647**  
 NWT/NU Association of Professional  
 Engineers and Geoscientists



02 CONSTRUCTION PLAN  
M1.0 SCALE: NTS



CONSTRUCTION NOTES: #

1. INSTALL SALVAGED OIL TANK, AND CONCRETE PAD. SEE SHEET M2.0.
2. INSTALL NEW PIPING SUPPORT AS PER SHEET M2.1
3. CAULK ENTRY INTO BUILDING.
4. INSTALL NEW TANK STAND #2 - SEE STRUCTURAL FOR DETAILS.

NOTES:

1. INSTALL NEW ACCESSORIES TO TANK AND FURNACE AS PER SHEET M3.0
2. RE-USE EXISTING FIBERGLASS TANK IN NEW STAND



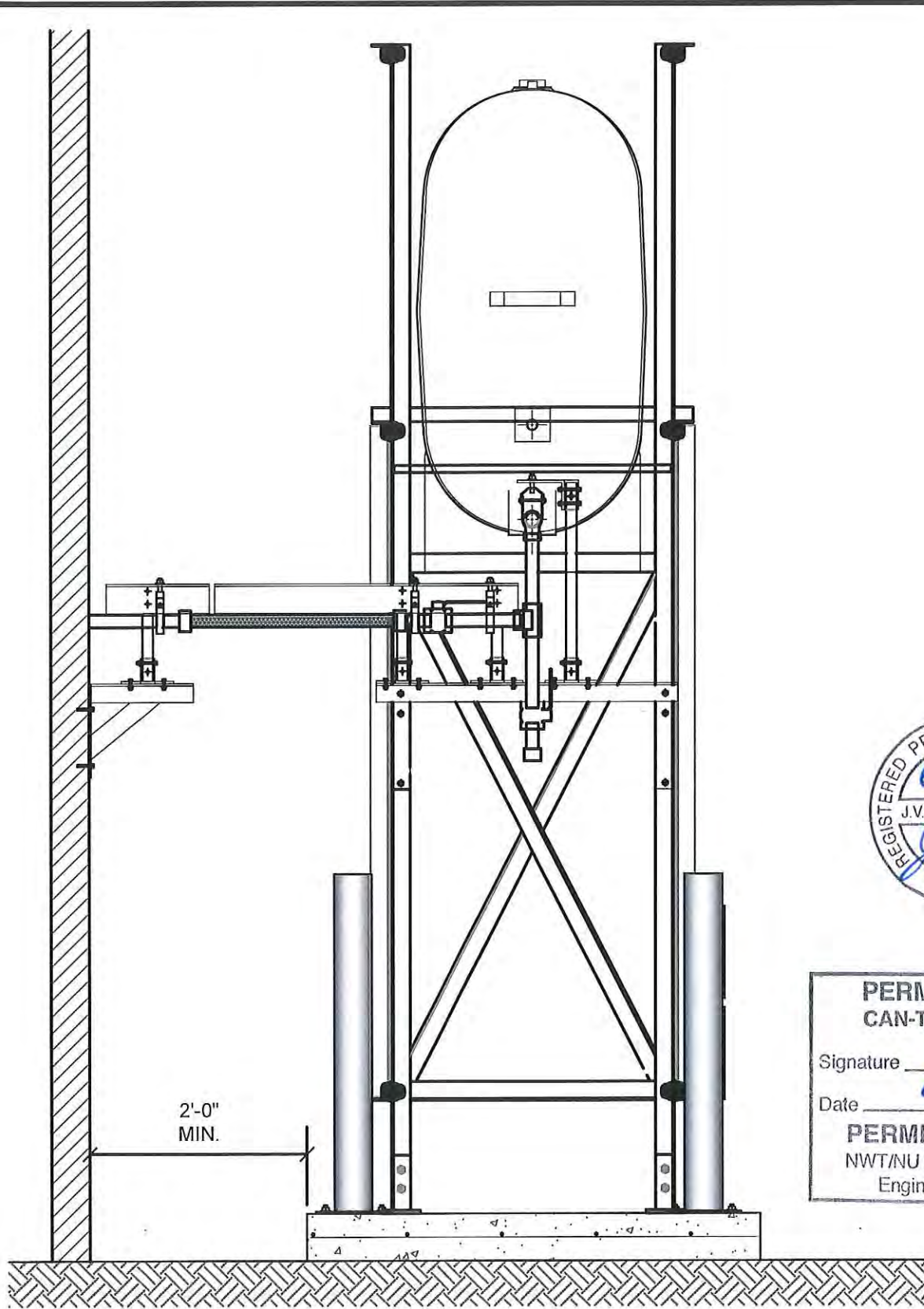
PROJECT TITLE:  
RCMP "V" DIVISION OIL TANK REPLACEMENT  
V129 - STORAGE GYM, PANGNIRTUNG  
SHEET TITLE:  
DEMOLITION AND CONSTRUCTION  
PROJECT NUMBER:  
16-028-14-30

00 ISSUED FOR TENDER 18 05 28 JLS  
 REV. # | REVISION | DATE (YY MM DD) | REV. BY

REV. # | REVISION | DATE (YY MM DD) | REV. BY

SCALE:  
AS NOTED  
DATE (YY MM DD):  
17 03 03

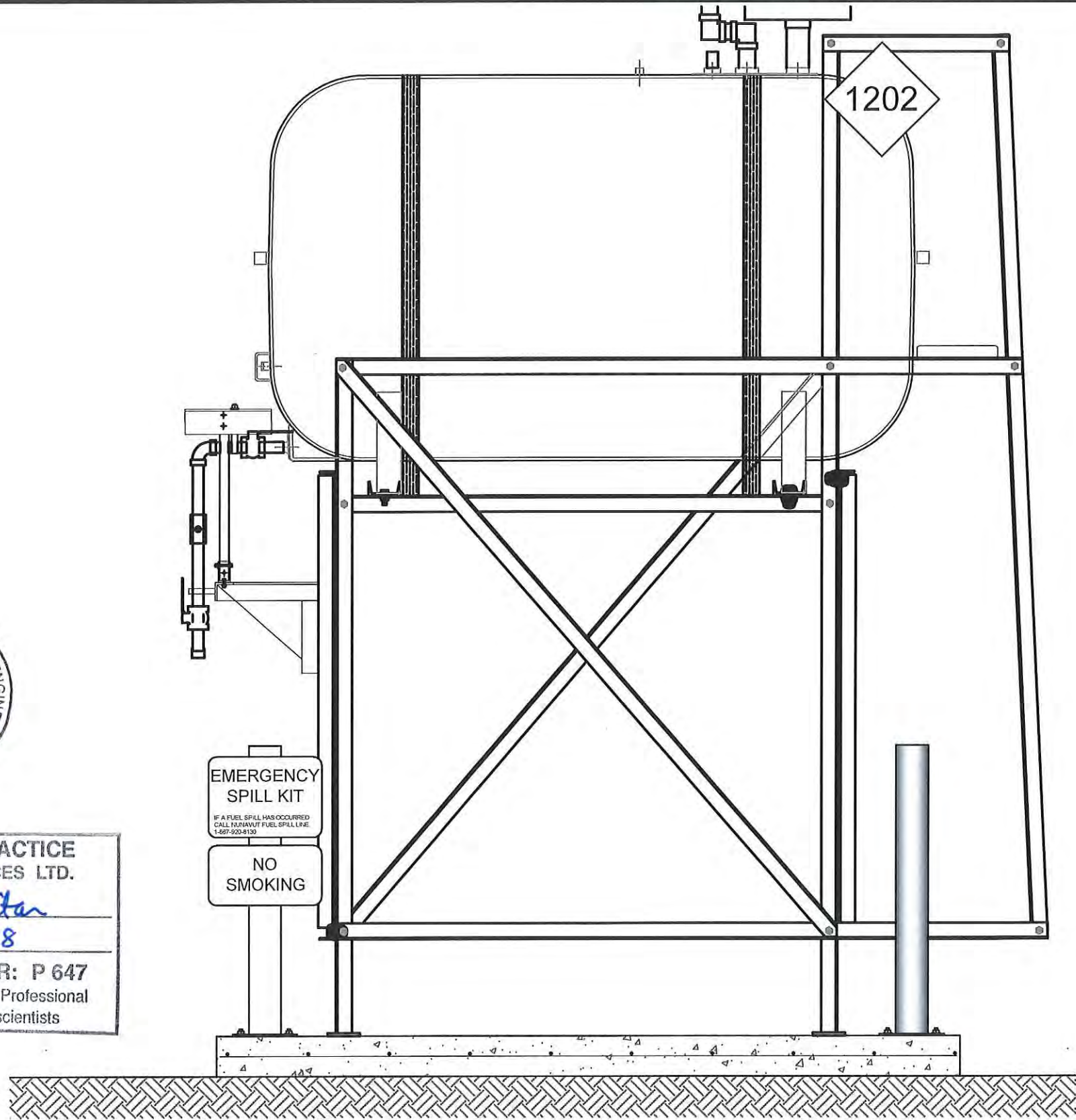
DRAWING NUMBER:  
**M1.0**  
REVISION NUMBER:  
00



01 OIL TANK ELEVATION - A  
M2.0 SCALE: 3/4"-1'-0"



**PERMIT TO PRACTICE**  
CAN-TEC SERVICES LTD.  
Signature *J.V. Sitar*  
Date 6.6.18  
**PERMIT NUMBER: P 647**  
NWT/NU Association of Professional  
Engineers and Geoscientists



02 OIL TANK ELEVATION - B  
M2.0 SCALE: 3/4"-1'-0"



PROJECT TITLE:  
RCMP "V" DIVISION OIL TANK REPLACEMENT  
V129 - STORAGE GYM, PANGNIRTUNG  
SHEET TITLE:  
SECTION DETAILS  
PROJECT NUMBER:  
16-028-14-30

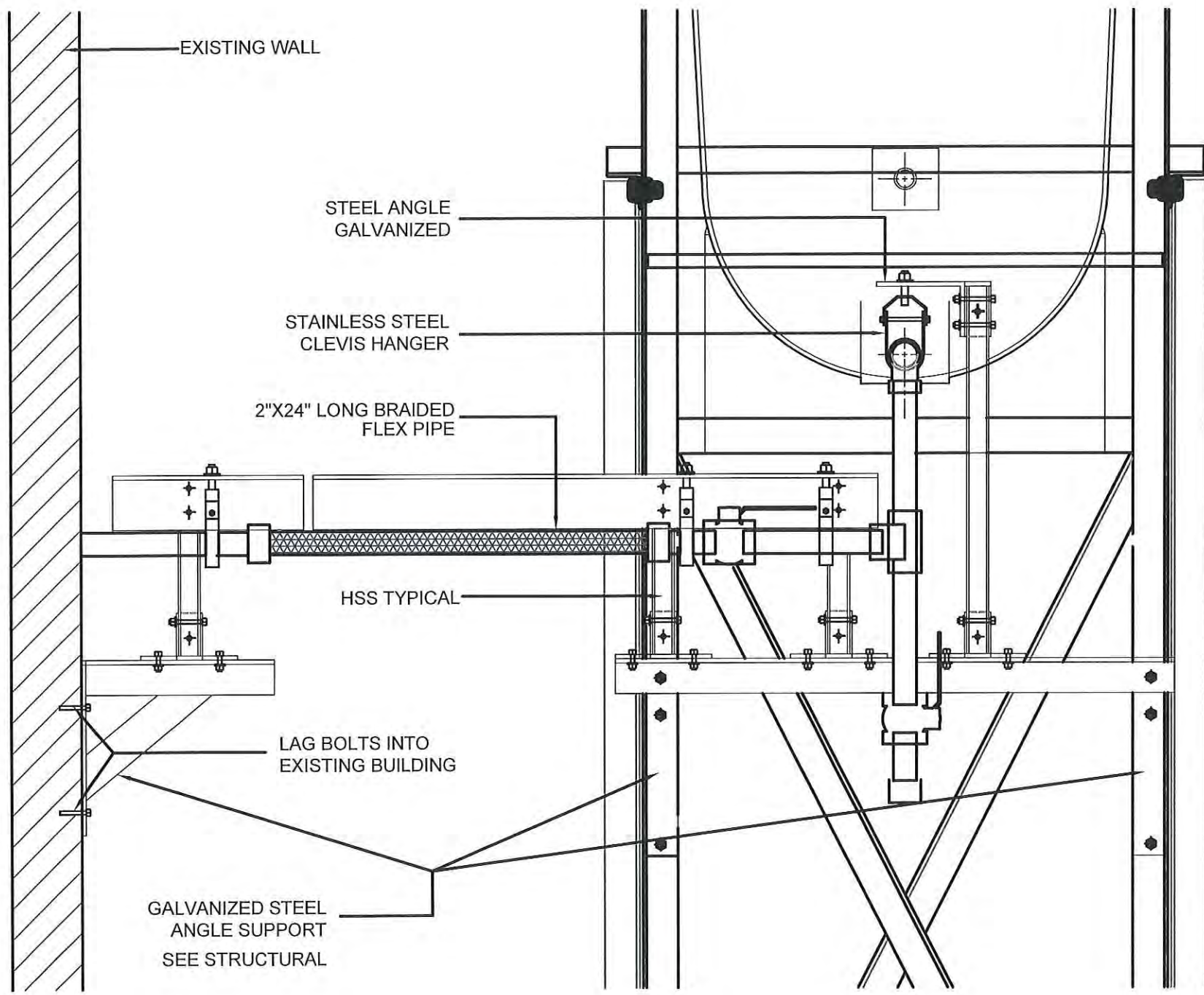
REV. #	REVISION	DATE (YY MM DD)	REV. BY
00	ISSUED FOR TENDER	18 05 28	JLS

REV. #	REVISION	DATE (YY MM DD)	REV. BY

SCALE:  
AS NOTED  
DATE (YY MM DD):  
17 03 03

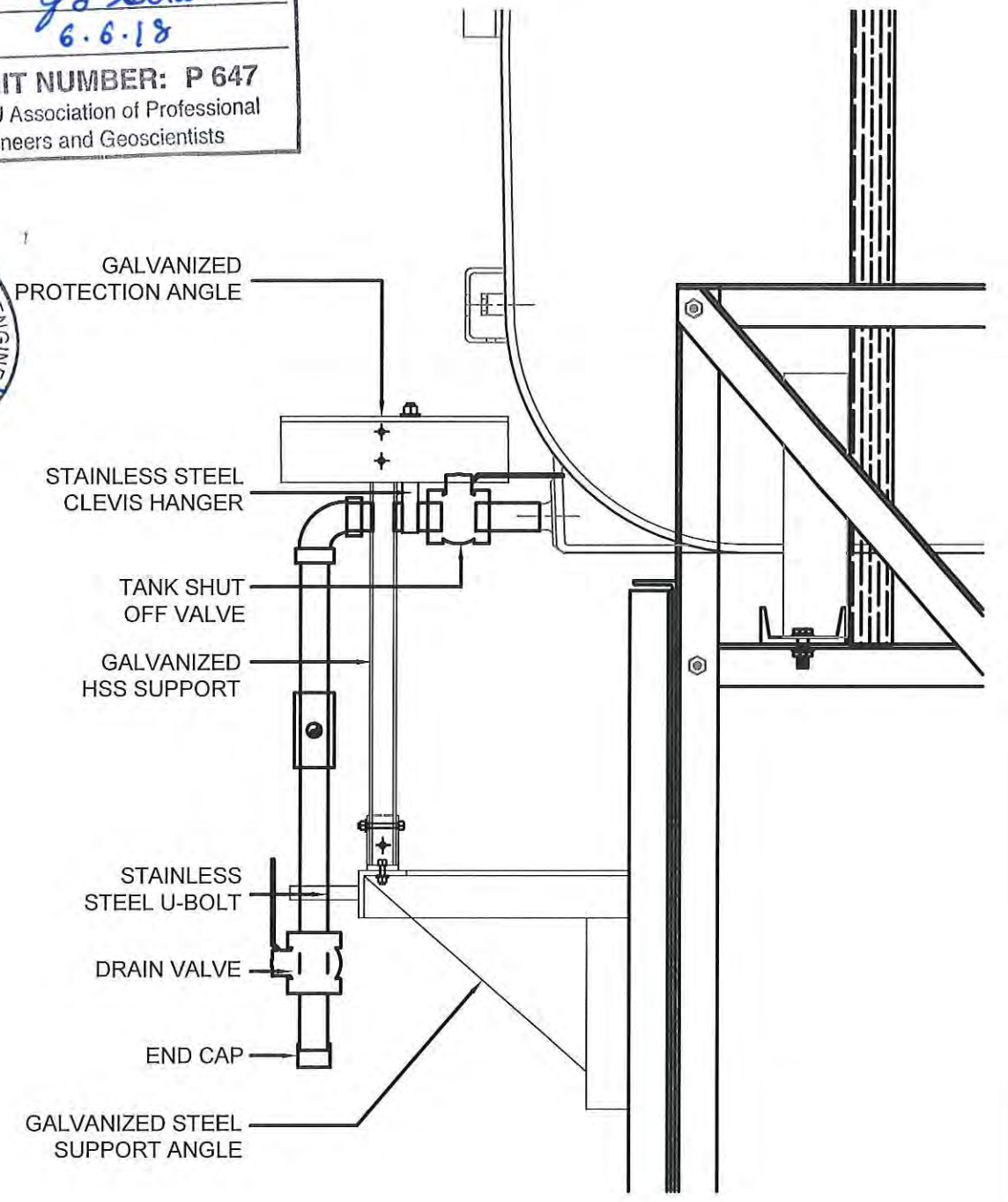
DRAWING NUMBER:  
**M2.0**  
REVISION NUMBER:  
00





01 2" FUEL LINE SUPPORT AND PROTECTION DETAIL TANK STAND  
 M2.0 SCALE: 1 1/2"-1'-0"

PERMIT TO PRACTICE  
 CAN-TEC SERVICES LTD.  
 Signature *J. Loezel Sitar*  
 Date 6.6.18  
 PERMIT NUMBER: P 647  
 NWT/NU Association of Professional  
 Engineers and Geoscientists



02 2" FUEL LINE SUPPORT AND PROTECTION DETAIL HORIZONTAL SECTION  
 M2.0 SCALE: 1 1/2"-1'-0"

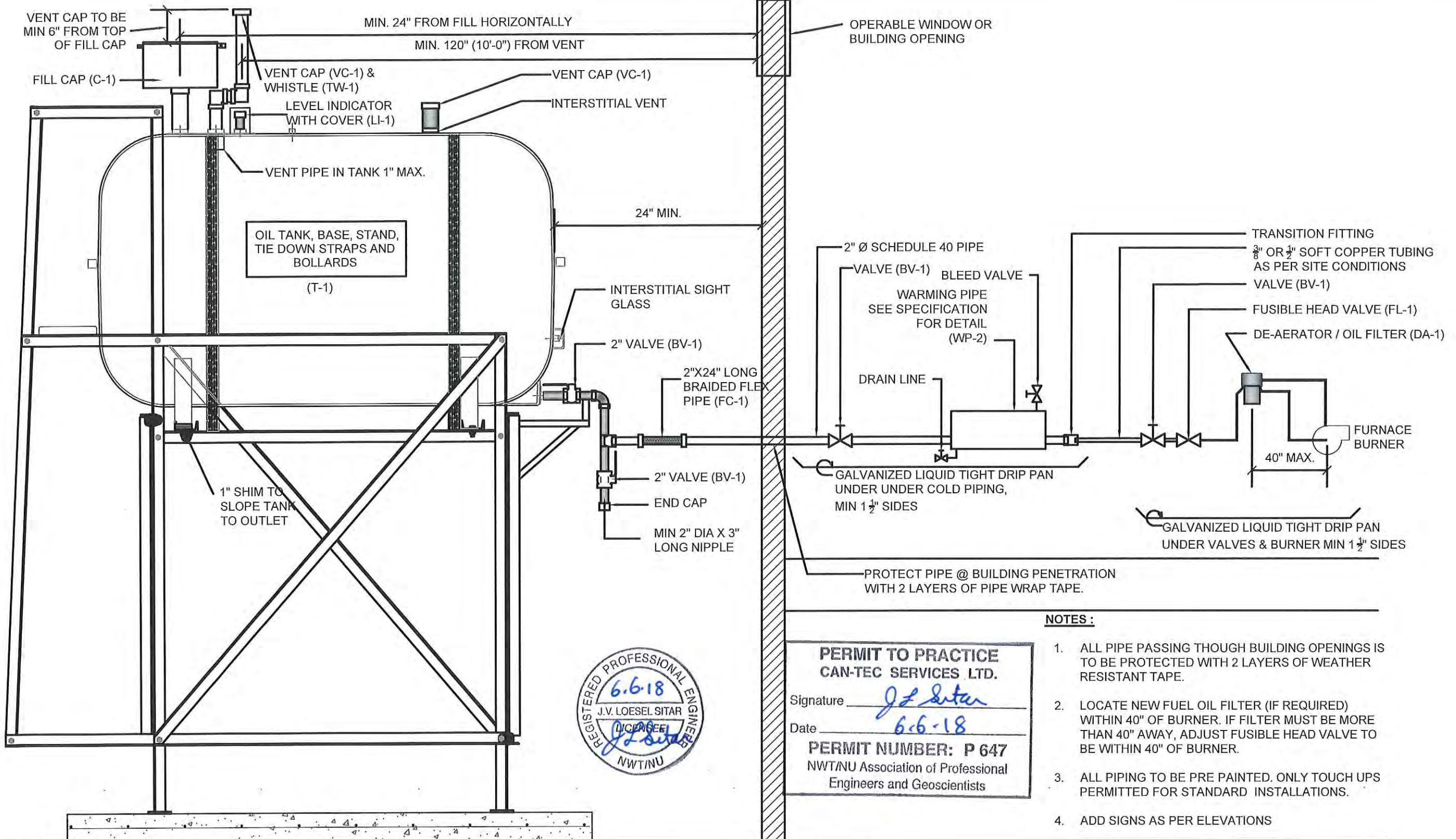


PROJECT TITLE:  
 RCMP "V" DIVISION OIL TANK REPLACEMENT  
 V129 - STORAGE GYM, PANGNIRTUNG  
 SHEET TITLE:  
 2" FUEL LINE SUPPORT DETAIL  
 PROJECT NUMBER:  
 16-028-14-30

REV. #	REVISION	DATE (YY MM DD)	REV. BY	REV. #	REVISION	DATE (YY MM DD)	REV. BY
00	ISSUED FOR TENDER	18 05 28	JLS				

SCALE:  
 AS NOTED  
 DATE (YY MM DD):  
 17 03 03

DRAWING NUMBER:  
**M2.1**  
 REVISION NUMBER:  
 00



**NOTES :**

1. ALL PIPE PASSING THOUGH BUILDING OPENINGS IS TO BE PROTECTED WITH 2 LAYERS OF WEATHER RESISTANT TAPE.
2. LOCATE NEW FUEL OIL FILTER (IF REQUIRED) WITHIN 40" OF BURNER. IF FILTER MUST BE MORE THAN 40" AWAY, ADJUST FUSIBLE HEAD VALVE TO BE WITHIN 40" OF BURNER.
3. ALL PIPING TO BE PRE PAINTED. ONLY TOUCH UPS PERMITTED FOR STANDARD INSTALLATIONS.
4. ADD SIGNS AS PER ELEVATIONS



**PERMIT TO PRACTICE  
CAN-TEC SERVICES LTD.**  
 Signature J. Loesel Sitar  
 Date 6-6-18  
**PERMIT NUMBER: P 647**  
 NWT/NU Association of Professional  
 Engineers and Geoscientists

1 SCHEMATIC - TANK PIPING & ACCESSORIES : ON STAND  
 M3.0 SCALE: NTS



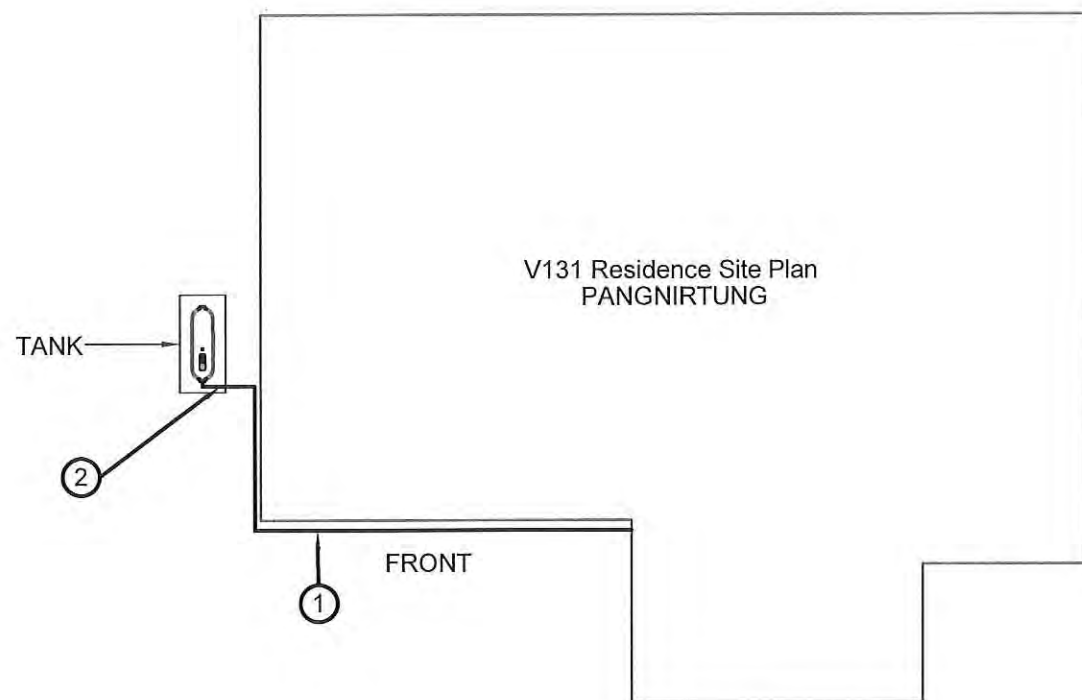
PROJECT TITLE:  
RCMP "V" DIVISION OIL TANK REPLACEMENT  
V129 - STORAGE GYM, PANGNIRTUNG  
 SHEET TITLE:  
SCHEMATIC - TANK, PIPING & ACCESSORIES  
 PROJECT NUMBER:  
16-028-14-30

00	ISSUED FOR TENDER	18 05 28	JLS
REV. #	REVISION	DATE (YY MM DD)	REV. BY

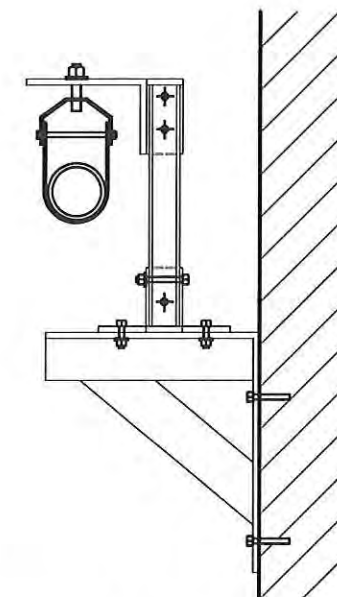
REV. #	REVISION	DATE (YY MM DD)	REV. BY
--------	----------	-----------------	---------

SCALE:  
AS NOTED  
 DATE (YY MM DD):  
17 03 08

DRAWING NUMBER:  
**M3.0**  
 REVISION NUMBER:  
00



01 CONSTRUCTION PLAN  
M1.0 SCALE: NTS



02 WALL PIPE SUPPORT  
M2.1 SCALE: 1/2"=1'-0"

DEMOLITION NOTES:

1. REMOVE ALL FUEL FROM THE TANK AND DISPOSE OF AS PER LOCAL REGULATIONS

CONSTRUCTION NOTES: #

1. INSTALL NEW PIPE SUPPORT TO 2" PIPING ALONG THE SIDE OF THE HOUSE SEE DETAIL THIS SHEET
2. INSTALL NEW PIPING SUPPORTS TO EXISTING STAND AS PER DRAWINGS M2.0 AND M2.1



**PERMIT TO PRACTICE**  
CAN-TEC SERVICES LTD.

Signature J.L. Sitar  
Date 6-6-18

**PERMIT NUMBER: P 647**  
NWT/NU Association of Professional  
Engineers and Geoscientists



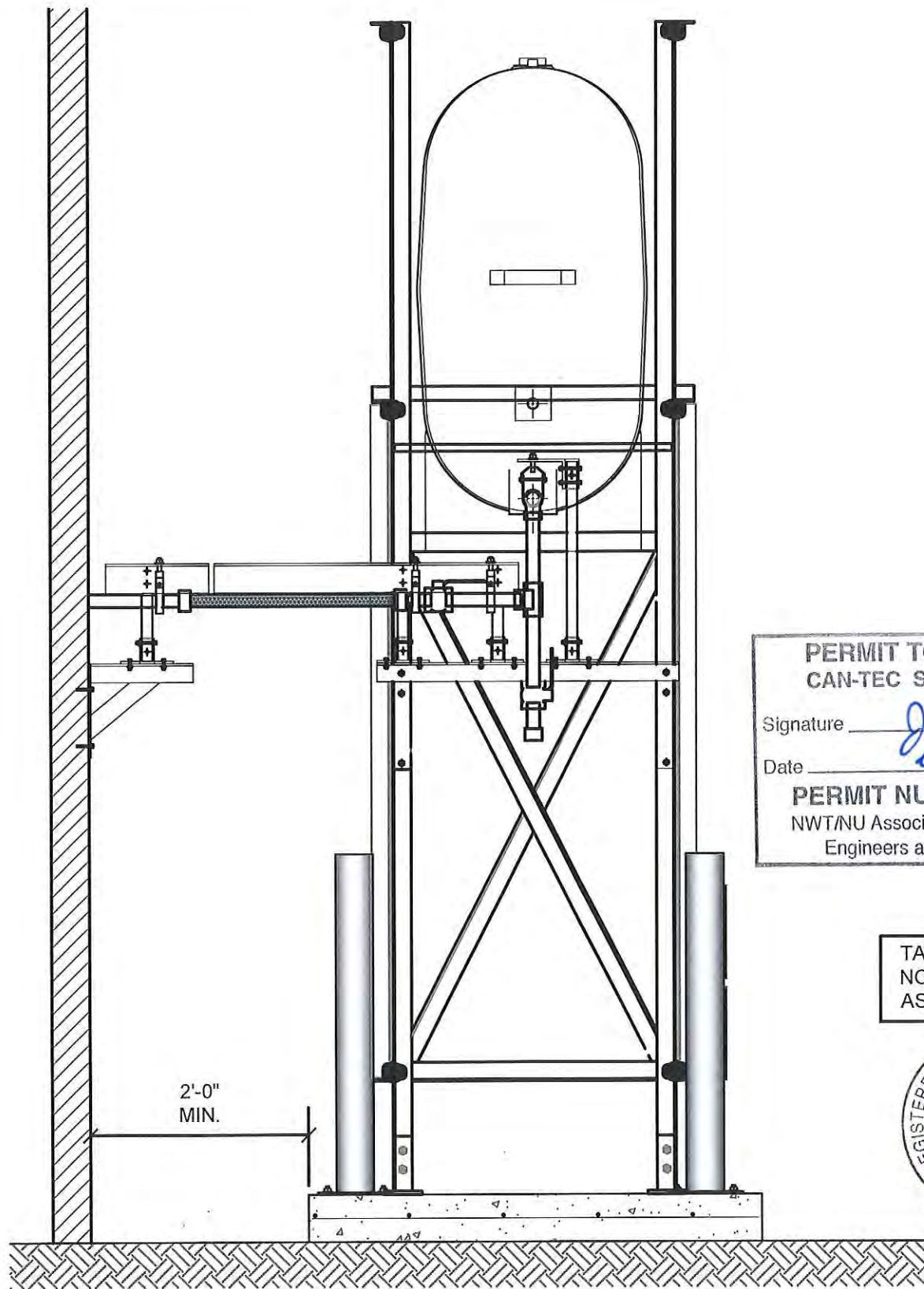
PROJECT TITLE:  
RCMP "V" DIVISION OIL TANK REPLACEMENT - PANGNIRTUNG  
V131 - RESIDENCE SITE PLAN, PANGNIRTUNG  
SHEET TITLE:  
DEMOLITION AND CONSTRUCTION  
PROJECT NUMBER:  
16-028-14-30

00	ISSUED FOR TENDER	17 03 06	JLS
REV. #	REVISION	DATE (YY MM DD)	REV. BY

REV. #	REVISION	DATE (YY MM DD)	REV. BY
--------	----------	-----------------	---------

SCALE:  
AS NOTED  
DATE (YY MM DD):  
17 03 06

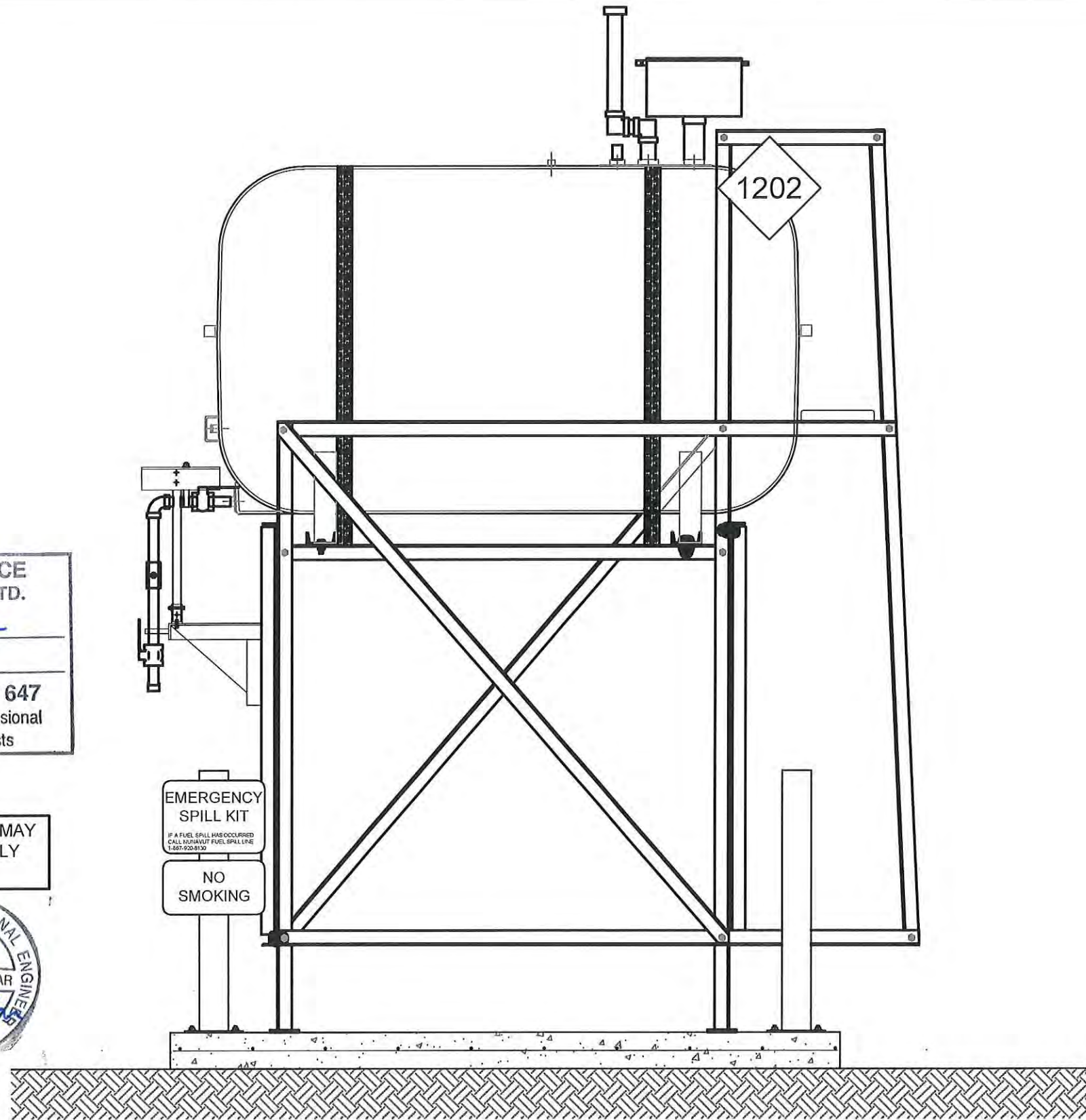
DRAWING NUMBER:  
**M1.0**  
REVISION NUMBER:  
00



01 OIL TANK ELEVATION - A  
M2.0 SCALE: 3/4"-1'-0"

PERMIT TO PRACTICE  
CAN-TEC SERVICES LTD.  
Signature J. Loesel  
Date 6.6.18  
PERMIT NUMBER: P 647  
NWT/NU Association of Professional  
Engineers and Geoscientists

TANK STANDS MAY  
NOT BE EXACTLY  
AS SHOWN



02 OIL TANK ELEVATION - B  
M2.0 SCALE: 3/4"-1'-0"



PROJECT TITLE:  
RCMP "V" DIVISION OIL TANK REPLACEMENT - PANGNIRTUNG  
V131 - RESIDENCE SITE PLAN, PANGNIRTUNG  
SHEET TITLE:  
SECTION DETAILS  
PROJECT NUMBER:  
16-028-14-30

00	ISSUED FOR TENDER	18 05 28	JLS
REV. #	REVISION	DATE (YY MM DD)	REV. BY

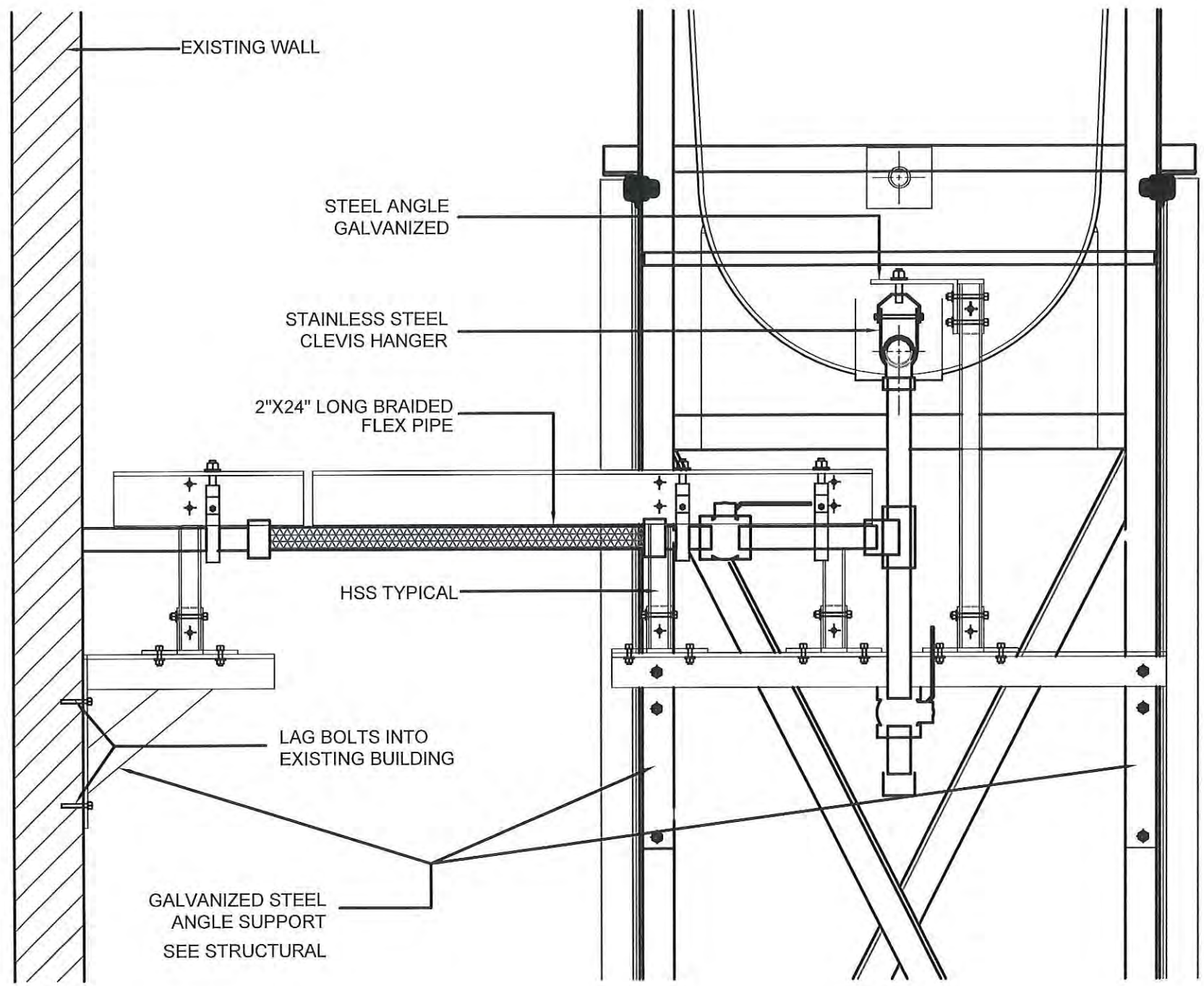
REV. #	REVISION	DATE (YY MM DD)	REV. BY
--------	----------	-----------------	---------

SCALE:  
AS NOTED  
DATE (YY MM DD):  
17 03 06

DRAWING NUMBER:

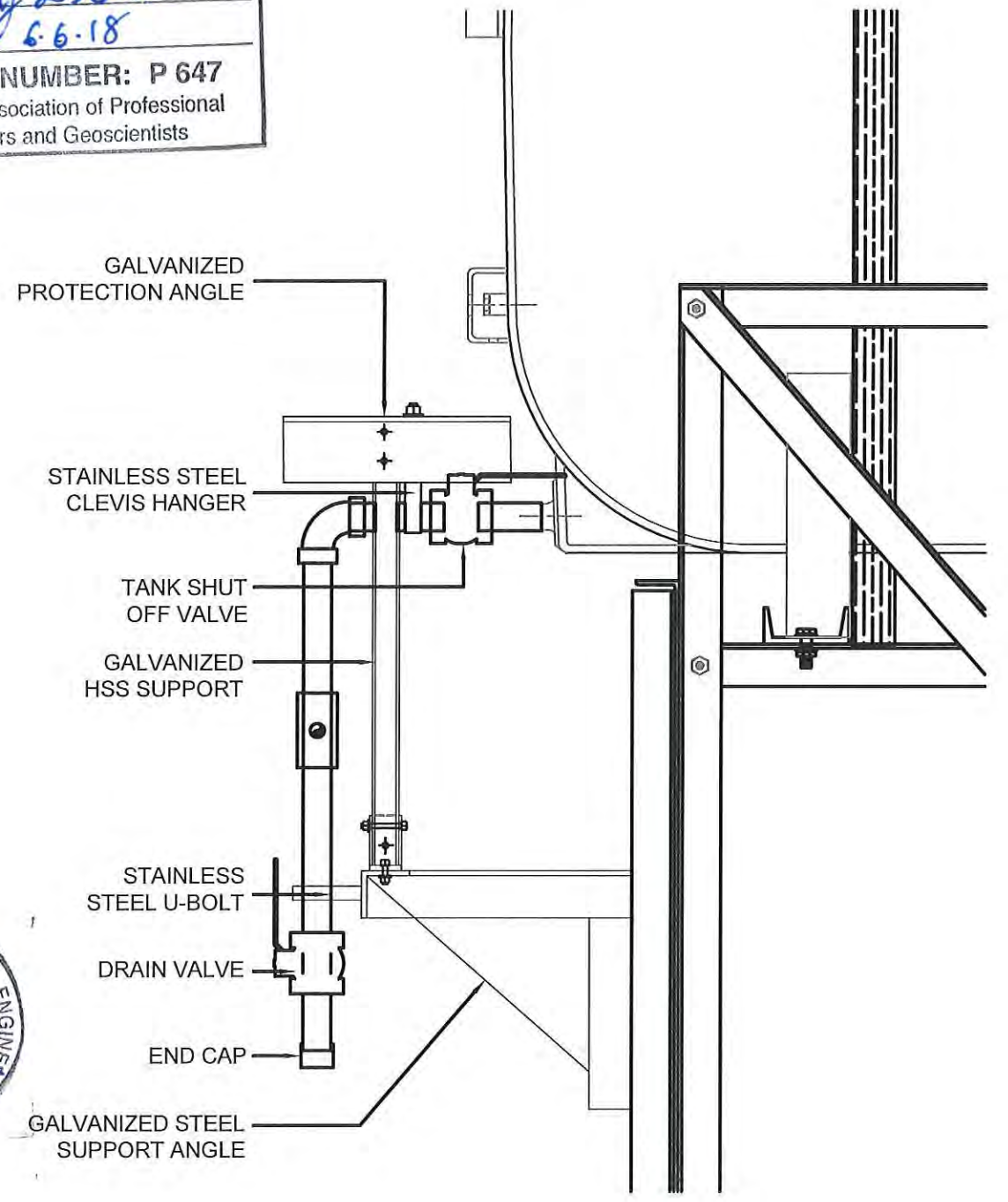
M2.0

REVISION NUMBER:  
00



01 2" FUEL LINE SUPPORT AND PROTECTION DETAIL TANK STAND  
 M2.0 SCALE: 1 1/2"-1'-0"

PERMIT TO PRACTICE  
 CAN-TEC SERVICES LTD.  
 Signature *J. L. Sitar*  
 Date *6.6.18*  
 PERMIT NUMBER: P 647  
 NWT/NU Association of Professional  
 Engineers and Geoscientists



02 2" FUEL LINE SUPPORT AND PROTECTION DETAIL HORIZONTAL SECTION  
 M2.0 SCALE: 1 1/2"-1'-0"



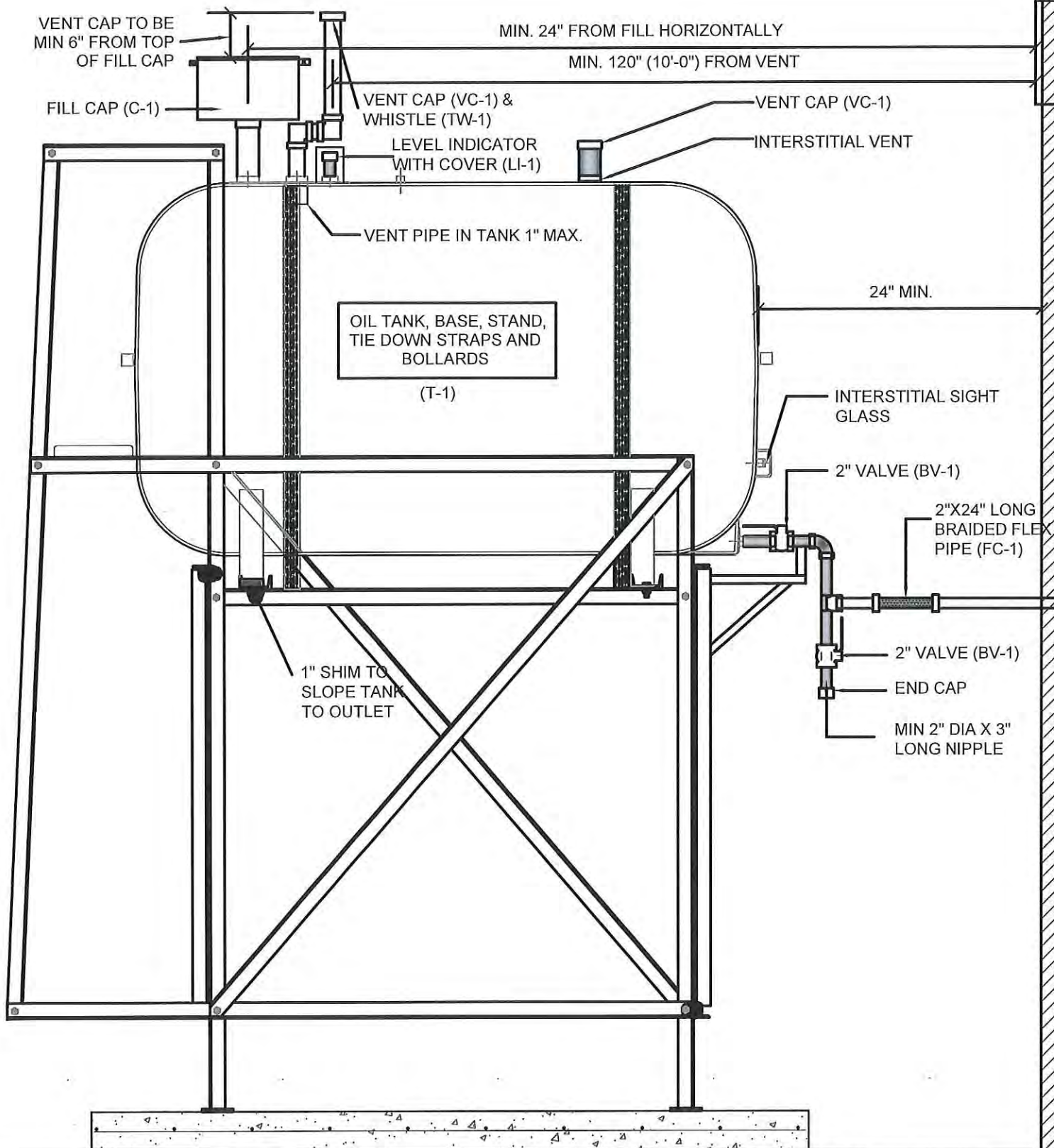
PROJECT TITLE:  
 RCMP "V" DIVISION OIL TANK REPLACEMENT - PANGNIRTUNG  
 V131 - RESIDENCE SITE PLAN, PANGNIRTUNG  
 SHEET TITLE:  
 2" FUEL LINE SUPPORT DETAIL  
 PROJECT NUMBER:  
 16-028-14-30

00 ISSUED FOR TENDER 18 05 28 JLS  
 REV. # | REVISION | DATE (YY MM DD) | REV. BY

REV. # | REVISION | DATE (YY MM DD) | REV. BY

SCALE:  
 AS NOTED  
 DATE (YY MM DD):  
 17 03 06

DRAWING NUMBER:  
**M2.1**  
 REVISION NUMBER:  
 00



NOTES:

1. INSTALL ALL NEW ACCESSORIES TO TOP OF TANK
2. REMOVE EXISTING FLEXIBLE LINK AND INSTALL NEW FLEXIBLE LINK
3. REMOVE ALL EXISTING VALVES AND INSTALL NEW VALVES AS SHOWN. EXISTING VALVES ARE THE NOT TO SPECIFICATION

PERMIT TO PRACTICE  
CAN-TEC SERVICES LTD.  
Signature J. L. Sitar  
Date 6.6.18  
PERMIT NUMBER: P 647  
NWT/NU Association of Professional  
Engineers and Geoscientists



1 SCHEMATIC - TANK PIPING & ACCESSORIES : ON STAND  
M3.0 SCALE: NTS



PROJECT TITLE:  
RCMP "V" DIVISION OIL TANK REPLACEMENT  
V131 RESIDENCE, PANGNIRTUNG  
SHEET TITLE:  
SCHEMATIC - TANK, PIPING & ACCESSORIES  
PROJECT NUMBER:  
16-028-14-30

00	ISSUED FOR TENDER	18 05 28	JLS
REV. #	REVISION	DATE (YY MM DD)	REV. BY

REV. #	REVISION	DATE (YY MM DD)	REV. BY
--------	----------	-----------------	---------

SCALE:  
AS NOTED  
DATE (YY MM DD):  
17 03 08

DRAWING NUMBER:  
**M3.0**  
REVISION NUMBER:  
00

# FUEL TANK REPAIR AND REPLACEMENT PROJECT KIMMIRUT, NUNAVUT

## DRAWING LIST:

### V289 - RESIDENCE

M1.0 DEMOLITION & CONSTRUCTION PLAN  
M2.0 TANK ELEVATIONS  
M2.1 2" FUEL LINE SUPPORT DETAILS  
M3.0 SCHEMATIC - TANK, PIPING & ACCESSORIES

### V026 - GARAGE

M1.0 DEMOLITION & CONSTRUCTION PLAN  
M2.0 TANK ELEVATIONS  
M2.1 2" FUEL LINE SUPPORT DETAILS  
M3.0 SCHEMATIC - TANK, PIPING & ACCESSORIES

### V293 - FACILITY BUILDING

M1.0 DEMOLITION & CONSTRUCTION PLAN  
M2.0 TANK ELEVATIONS  
M2.1 2" FUEL LINE SUPPORT DETAILS  
M3.0 SCHEMATIC - TANK, PIPING & ACCESSORIES



PROJECT TITLE:  
RCMP "V" DIVISION OIL TANK REPLACEMENT, KIMMIRUT  
SHEET TITLE:  
TITLE PAGE  
PROJECT NUMBER:  
16-028-14-30

00	ISSUED FOR TENDER	18 06 04	JLS
REV. #	REVISION	DATE (YY MM DD)	REV. BY

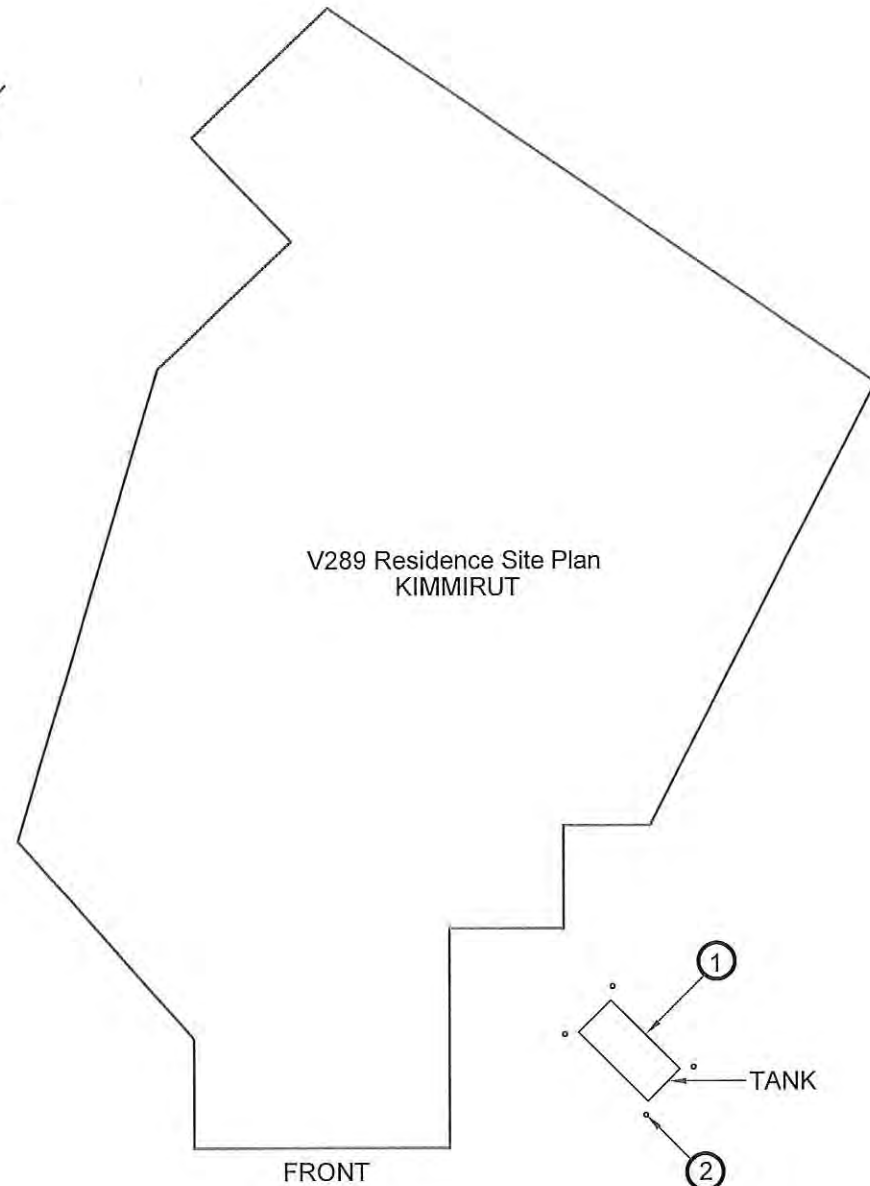
REV. #	REVISION	DATE (YY MM DD)	REV. BY
--------	----------	-----------------	---------

SCALE:  
AS NOTED  
DATE (YY MM DD):  
17 06 09

DRAWING NUMBER:  
**M0.0**  
REVISION NUMBER:  
00



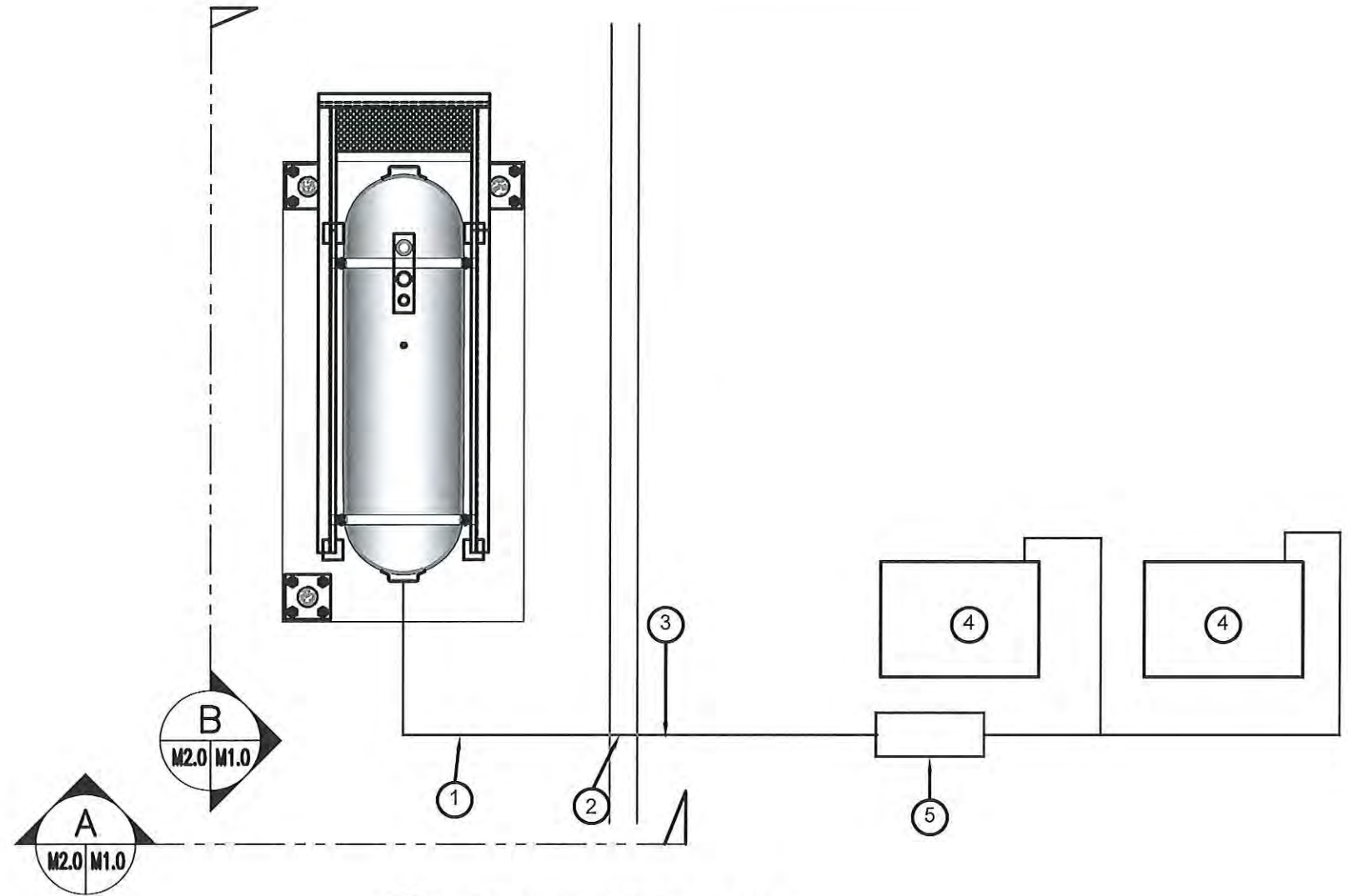
V289 Residence Site Plan  
KIMMIRUT



02 CONSTRUCTION PLAN  
M1.0 SCALE: NTS

**DEMOLITION NOTES:**

1. REMOVE ALL FUEL FROM THE EXISTING STEEL FUEL TANK.
2. EXISTING FUEL TANK, STAND AND CONCRETE BASE IS RETAINED FOR RE-INSTALLATION. REMOVE ALL ACCESSORIES TO BOILERS



02 CONSTRUCTION PLAN  
M1.0 SCALE: NTS

**REPAIR NOTES:**

1. REMOVE ALL ACCESSORIES AND INSTALL ALL NEW ACCESSORIES ON FUEL TANKS AND BOILER SEE DRAWING M3.0 FOR DETAILS.
2. TANK, STAND AND CONCRETE PAD IS TO BE SALVAGED ALL OTHER EQUIPMENT IS TO BE INSTALLED AS NEW.
3. ADJUST LOCATION OF CONCRETE PAD AS PER ATTACHED DETAILS FOR SEPARATION FROM BUILDING

**CONSTRUCTION NOTES: #**

1. INSTALL NEW PIPING SUPPORT AS PER SHEET M2.1, ALSO PROVIDE SUPPORT FOR FILLGAUGE LINE.
2. CAULK ENTRY INTO BUILDING.
3. INSTALL NEW 2" DIA PIPE
4. EXISTING BOILER
5. NEW DAY TANK

**PERMIT TO PRACTICE  
CAN-TEC SERVICES LTD.**

Signature *J.V. Loesel Sitar*

Date *6-6-18*

**PERMIT NUMBER: P 647**  
NWT/NU Association of Professional  
Engineers and Geoscientists



PROJECT TITLE:  
RCMP "V" DIVISION OIL TANK REPLACEMENT - KIMMIRUT  
V289 - RESIDENCE  
SHEET TITLE:  
DEMOLITION AND CONSTRUCTION PLAN  
PROJECT NUMBER:  
16-028-14-30

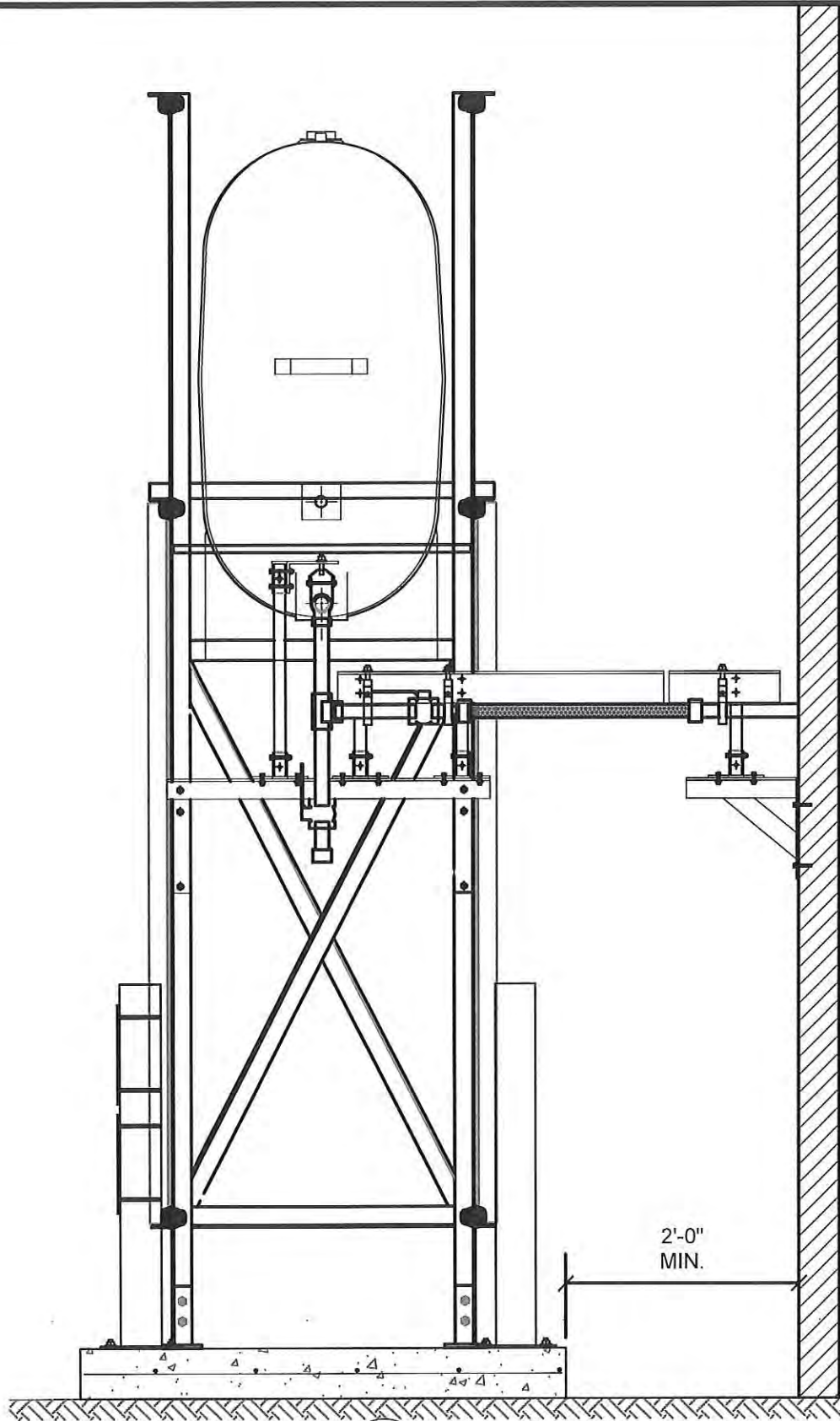
00	ISSUED FOR TENDER	18 06 04	JLS
REV. #	REVISION	DATE (YY MM DD)	REV. BY

REV. #	REVISION	DATE (YY MM DD)	REV. BY
--------	----------	-----------------	---------

SCALE:  
AS NOTED  
DATE (YY MM DD):  
17 02 24

DRAWING NUMBER:  
**M1.0**  
REVISION NUMBER:  
00



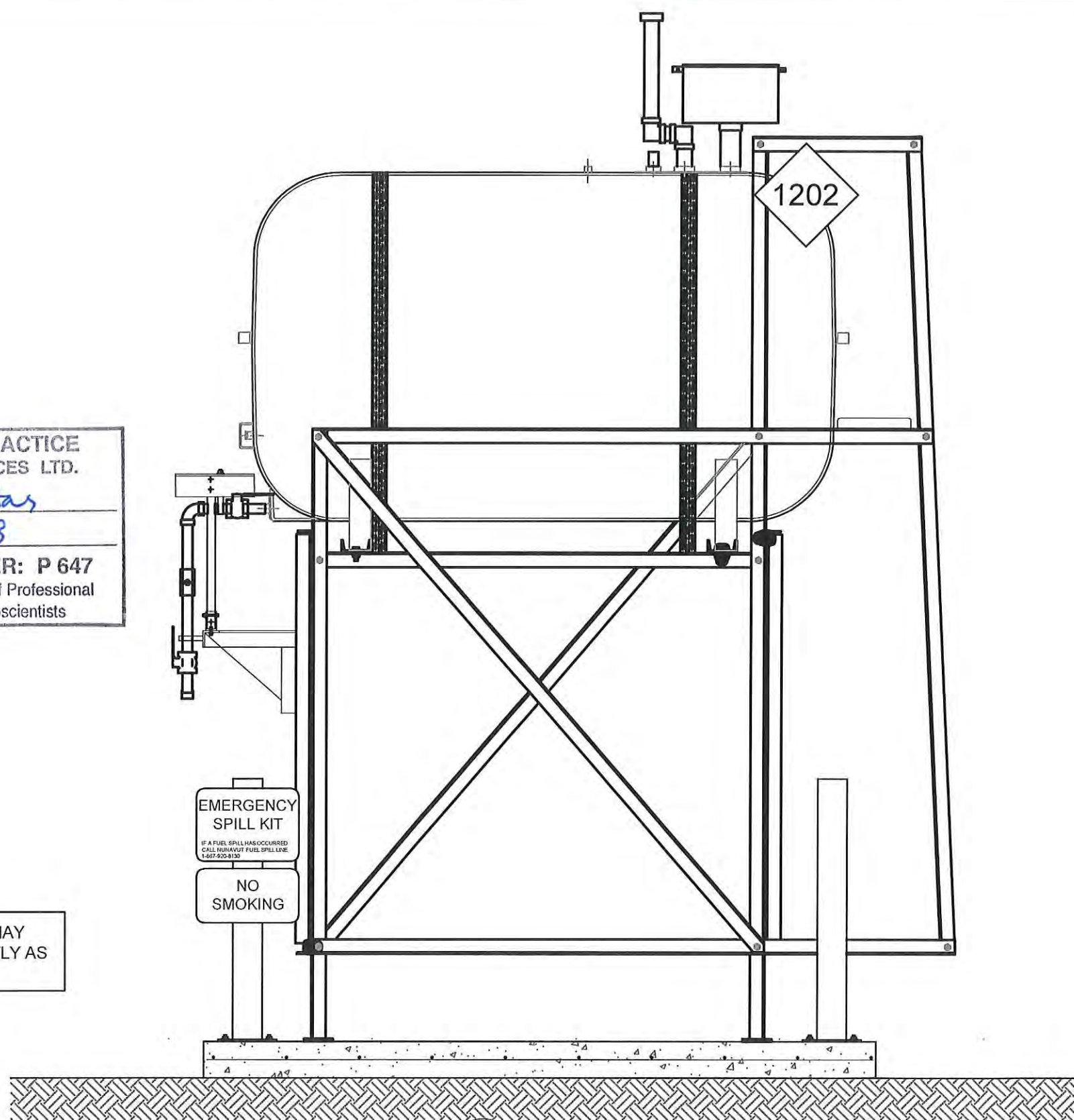


01 OIL TANK ELEVATION - A  
M2.0 SCALE: 3/4"-1'-0"

PERMIT TO PRACTICE  
CAN-TEC SERVICES LTD.  
Signature *J. Loesel*  
Date *6.6.18*  
PERMIT NUMBER: P 647  
NWT/NU Association of Professional  
Engineers and Geoscientists



TANK STAND MAY  
NOT BE EXACTLY AS  
SHOWN



02 OIL TANK ELEVATION - B  
M2.0 SCALE: 3/4"-1'-0"



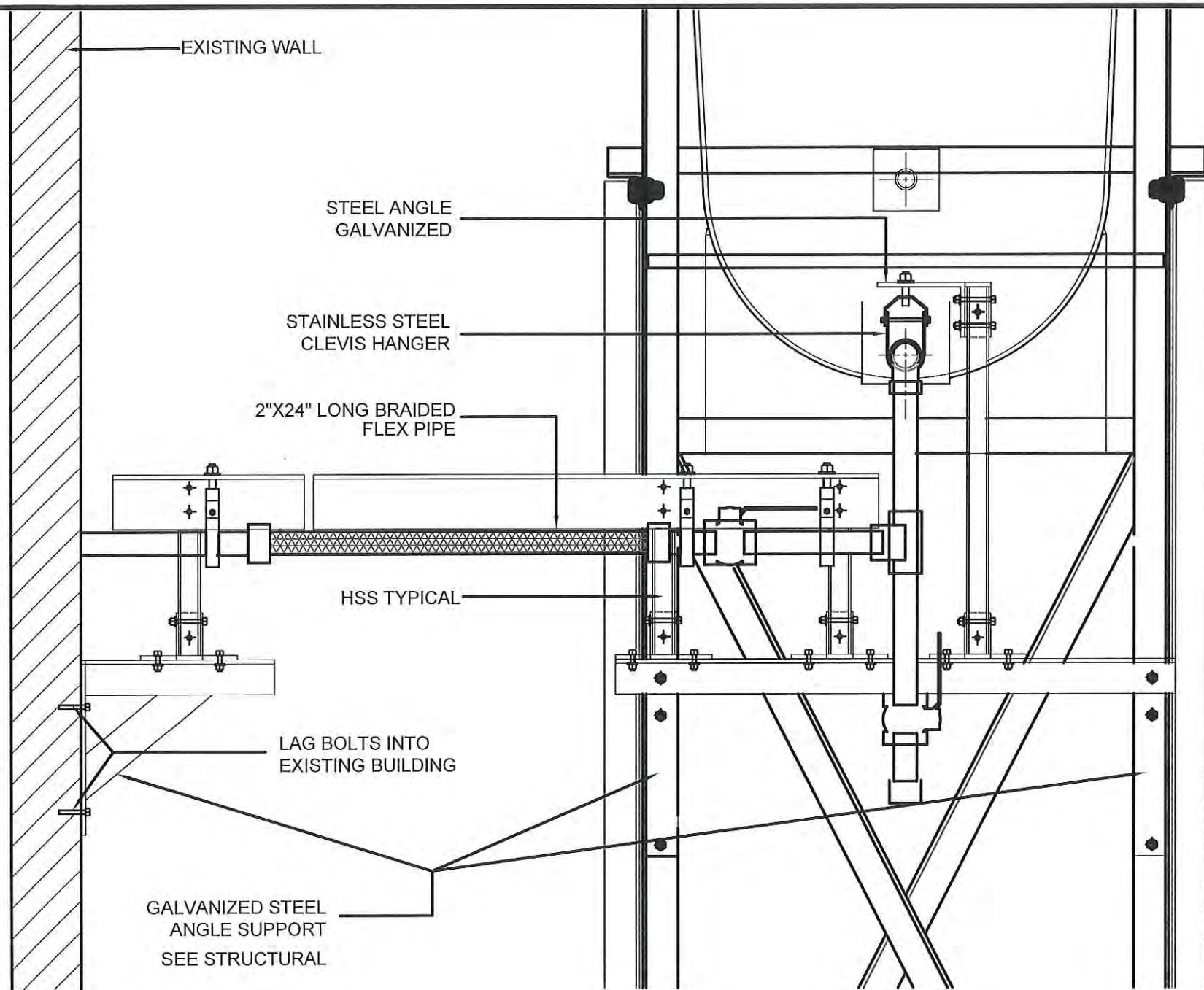
PROJECT TITLE:  
RCMP "V" DIVISION OIL TANK REPLACEMENT - KIMMIRUT  
V289 RESIDENCE  
SHEET TITLE:  
TANK ELEVATIONS  
PROJECT NUMBER:  
16-028-14-30

00	ISSUED FOR TENDER	18 06 04	JLS
REV. #	REVISION	DATE (YY MM DD)	REV. BY

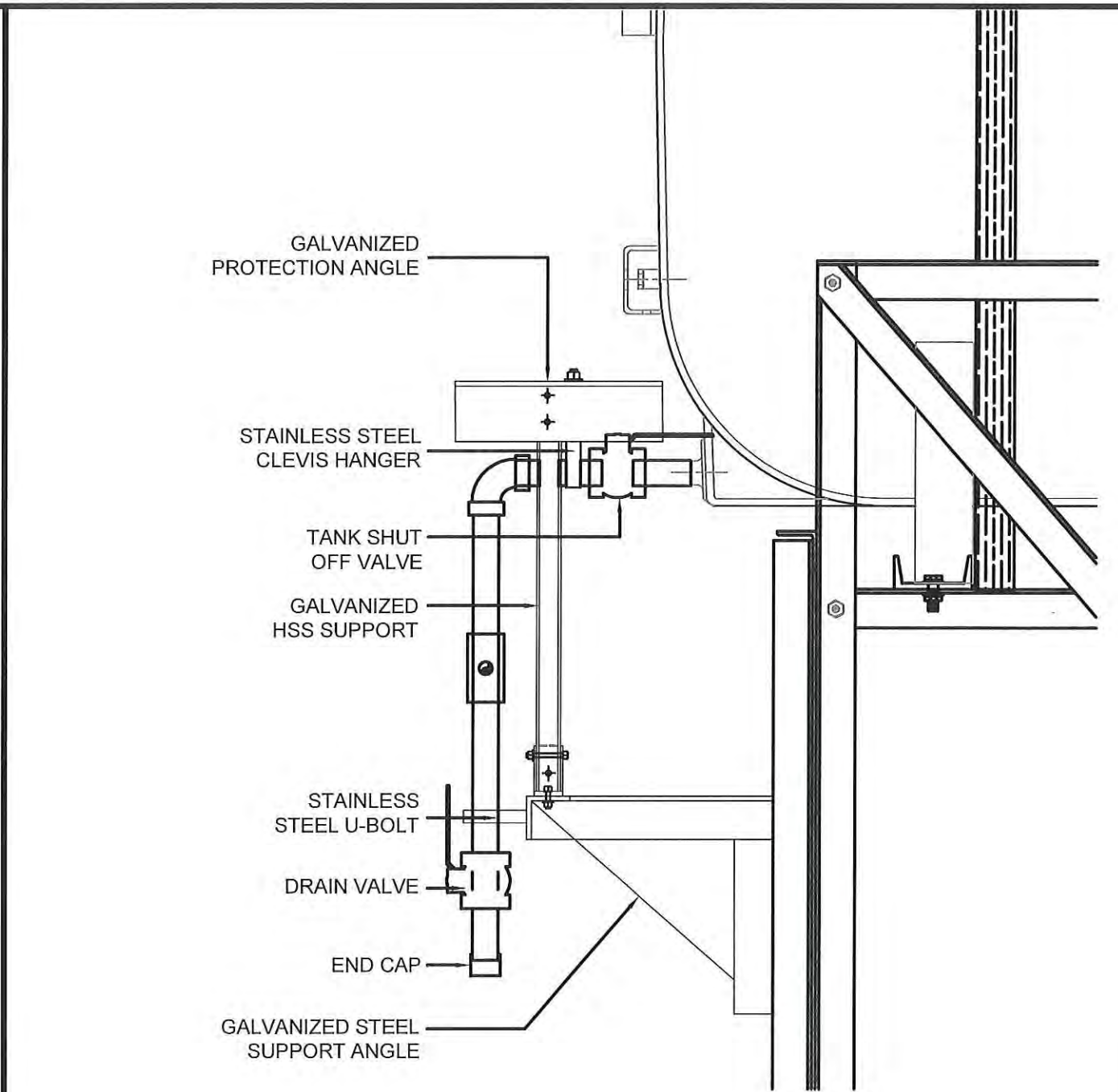
REV. #	REVISION	DATE (YY MM DD)	REV. BY
--------	----------	-----------------	---------

SCALE:  
AS NOTED  
DATE (YY MM DD):  
17 03 08

DRAWING NUMBER:  
**M2.0**  
REVISION NUMBER:  
00



01 FRONT VIEW  
M2.1 SCALE: 1 1/2"-1'-0"



02 SIDE VIEW  
M2.1 SCALE: 1 1/2"-1'-0"



PERMIT TO PRACTICE  
CAN-TEC SERVICES LTD.  
Signature *J.L. Sitar*  
Date *6-6-18*  
PERMIT NUMBER: P 647  
NWT/NU Association of Professional  
Engineers and Geoscientists



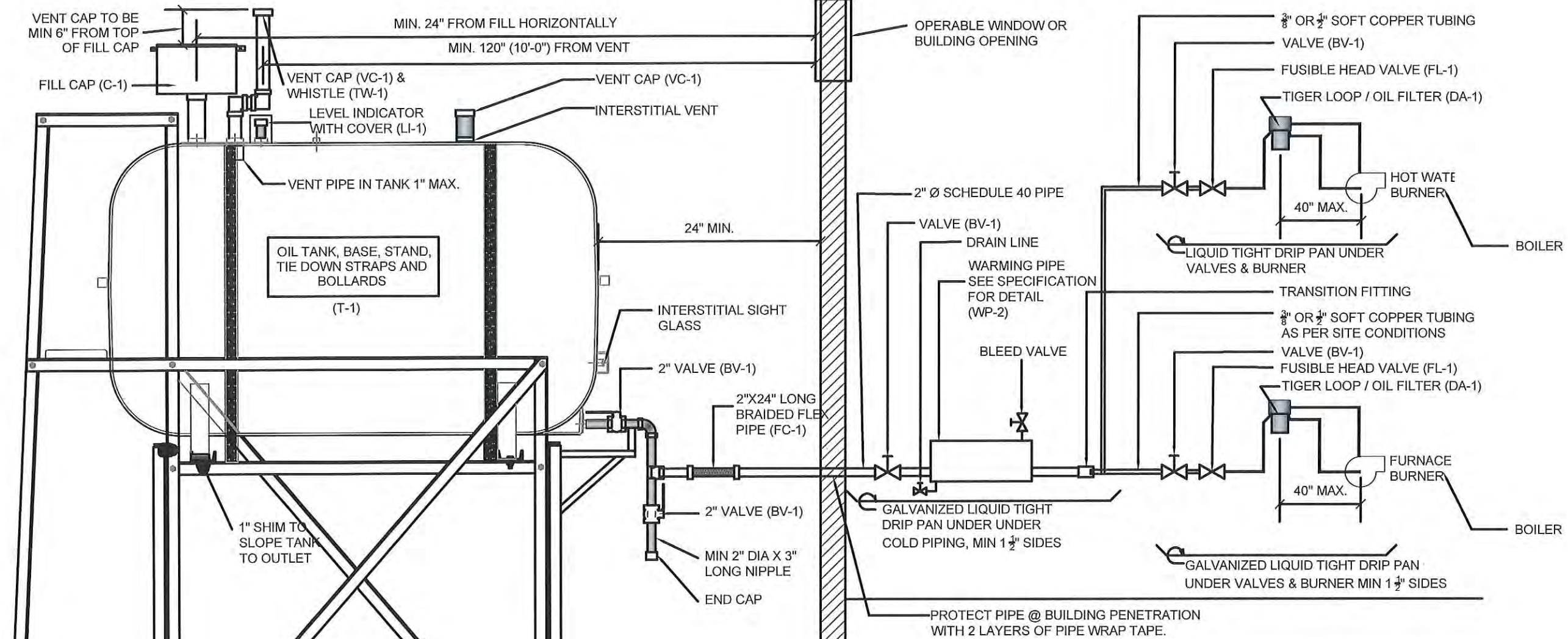
PROJECT TITLE:  
RCMP "V" DIVISION OIL TANK REPLACEMENT - KIMMIRUT  
V289 RESIDENCE  
SHEET TITLE:  
2" FUEL LINE SUPPORT DETAILS  
PROJECT NUMBER:  
16-028-14-30

REV. #	REVISION	DATE (YY MM DD)	REV. BY
00	ISSUED FOR TENDER	18 06 04	JLS

REV. #	REVISION	DATE (YY MM DD)	REV. BY
--------	----------	-----------------	---------

SCALE:  
AS NOTED  
DATE (YY MM DD):  
17 03 08

DRAWING NUMBER:  
**M2.1**  
REVISION NUMBER:  
00



- NOTES :**
1. ALL PIPE PASSING THOUGH BUILDING OPENINGS IS TO BE PROTECTED WITH 2 LAYERS OF WEATHER RESISTANT TAPE.
  2. LOCATE NEW FUEL OIL FILTER (IF REQUIRED) WITHIN 40" OF BURNER. IF FILTER MUST BE MORE THAN 40" AWAY, ADJUST FUSIBLE HEAD VALVE TO BE WITHIN 40" OF BURNER.
  3. ALL PIPING TO BE PRE PAINTED. ONLY TOUCH UPS PERMITTED FOR STANDARD INSTALLATIONS.
  4. ADD WARNING SIGNS AS NOTED ON ELEVATIONS

**PERMIT TO PRACTICE**  
**CAN-TEC SERVICES LTD.**  
 Signature *J.L. Sitar*  
 Date *6-6-18*  
**PERMIT NUMBER: P 647**  
 NWT/NU Association of Professional  
 Engineers and Geoscientists



**1** SCHEMATIC - TANK PIPING & ACCESSORIES : ON STAND  
 M3.0 SCALE: NTS



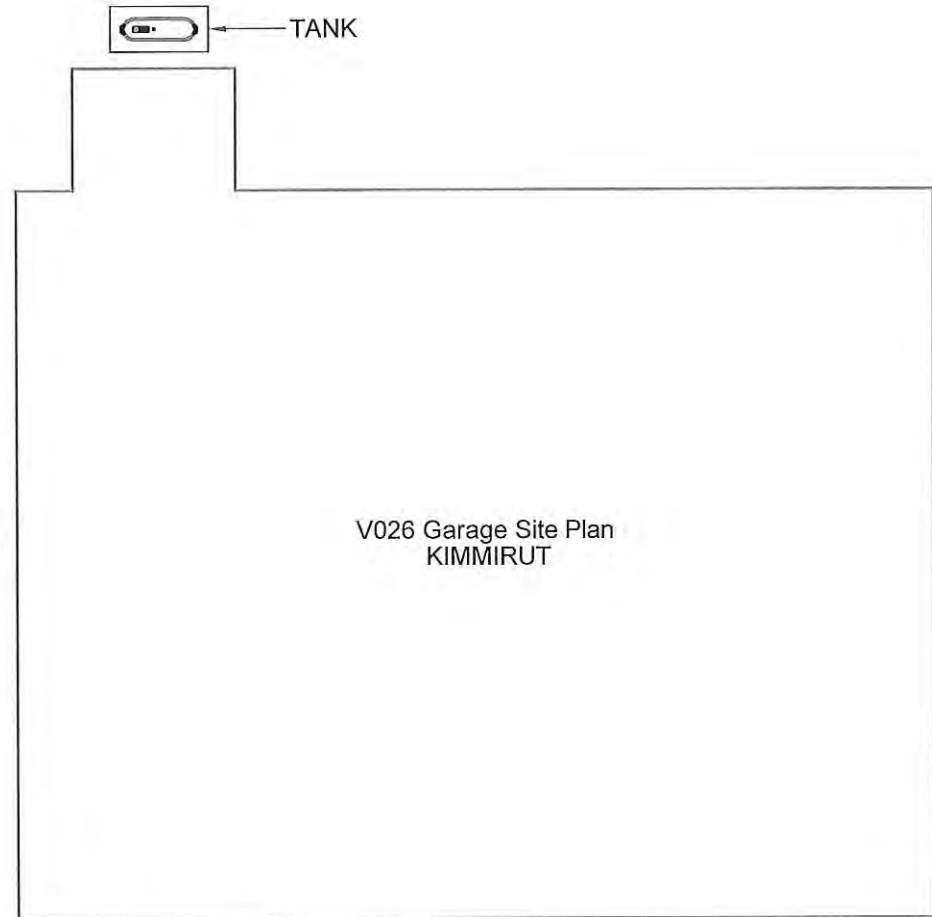
PROJECT TITLE:  
 RCMP "V" DIVISION OIL TANK REPLACEMENT - KIMMIRUT  
 V289 RESIDENCE  
 SHEET TITLE:  
 SCHEMATIC - TANK, PIPING & ACCESSORIES  
 PROJECT NUMBER:  
 16-028-14-30

00	ISSUED FOR TENDER	18 06 04	JLS
REV. #	REVISION	DATE (YY MM DD)	REV. BY

REV. #	REVISION	DATE (YY MM DD)	REV. BY
--------	----------	-----------------	---------

SCALE:  
 AS NOTED  
 DATE (YY MM DD):  
 17 03 08

DRAWING NUMBER:  
**M3.0**  
 REVISION NUMBER:  
 00

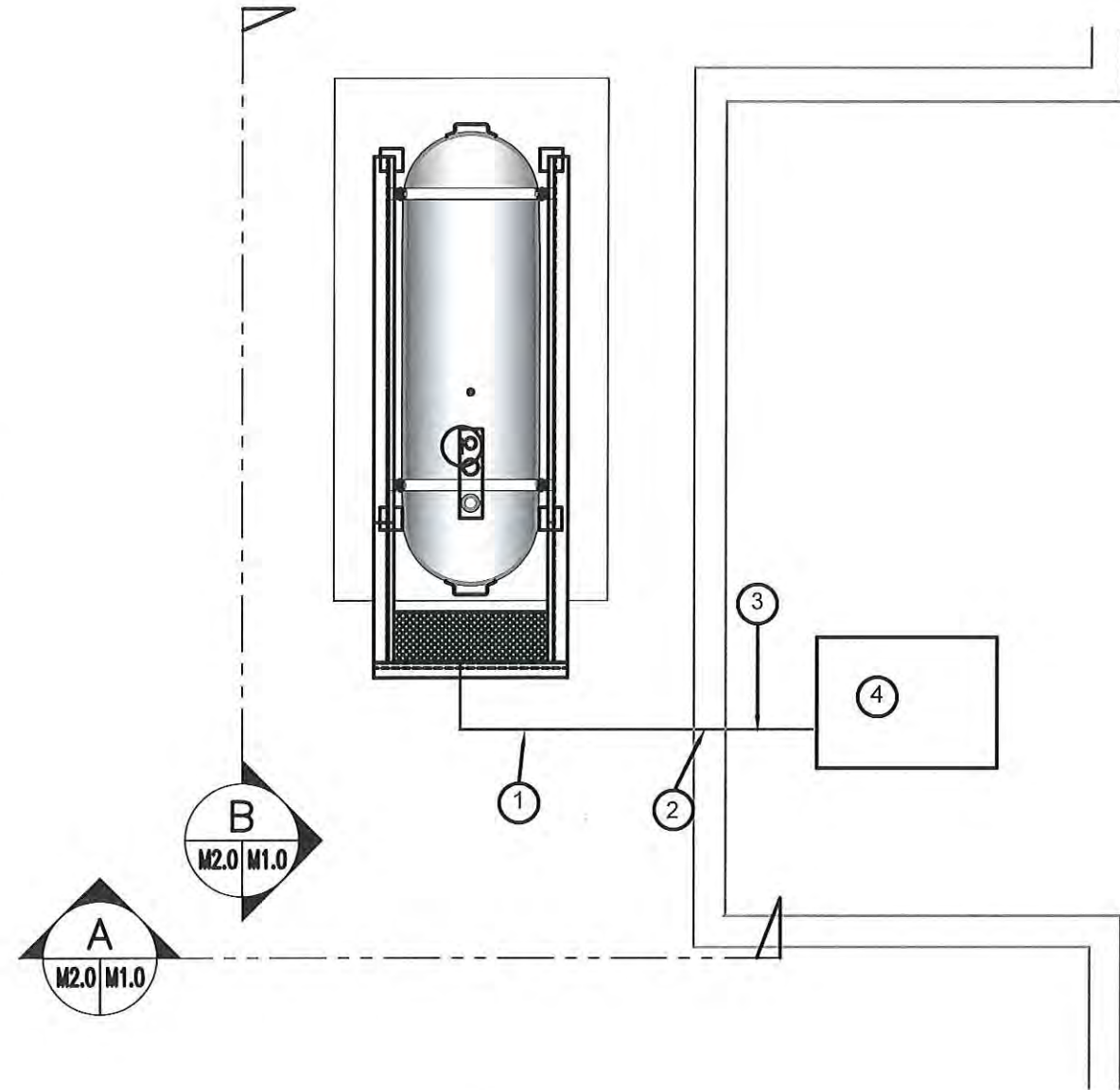


01 DEMOLITION PLAN  
M1.0 SCALE: NTS

DEMOLITION NOTES:

1. REMOVE ALL ASSOCIATED PIPING FROM TANK TO FURNACE IN GARAGE
2. REMOVE ALL FUEL FROM TANK.

**PERMIT TO PRACTICE**  
**CAN-TEC SERVICES LTD.**  
Signature *J. V. Loesel Sitar*  
Date *6.6.18*  
**PERMIT NUMBER: P 647**  
NWT/NU Association of Professional  
Engineers and Geoscientists



02 CONSTRUCTION PLAN  
M1.0 SCALE: NTS

REPAIR NOTES:

1. REMOVE ALL ACCESSORIES AND INSTALL ALL NEW ACCESSORIES ON FUEL TANKS AND FURNACE SEE DRAWING M3.0 FOR DETAILS.
2. ONLY TANK, CONCRETE PAD AND STAND IS TO BE SALVAGED ALL OTHER EQUIPMENT IS TO BE INSTALLED AS NEW.
3. ADJUST LOCATION OF CONCRETE PAD AS PER ATTACHED DETAILS.

CONSTRUCTION NOTES: #

1. INSTALL NEW PIPING SUPPORT AS PER SHEET M2.1
2. CAULK ENTRY INTO BUILDING.
3. INSTALL NEW 2" DIA PIPE
4. EXISTING FURNACE



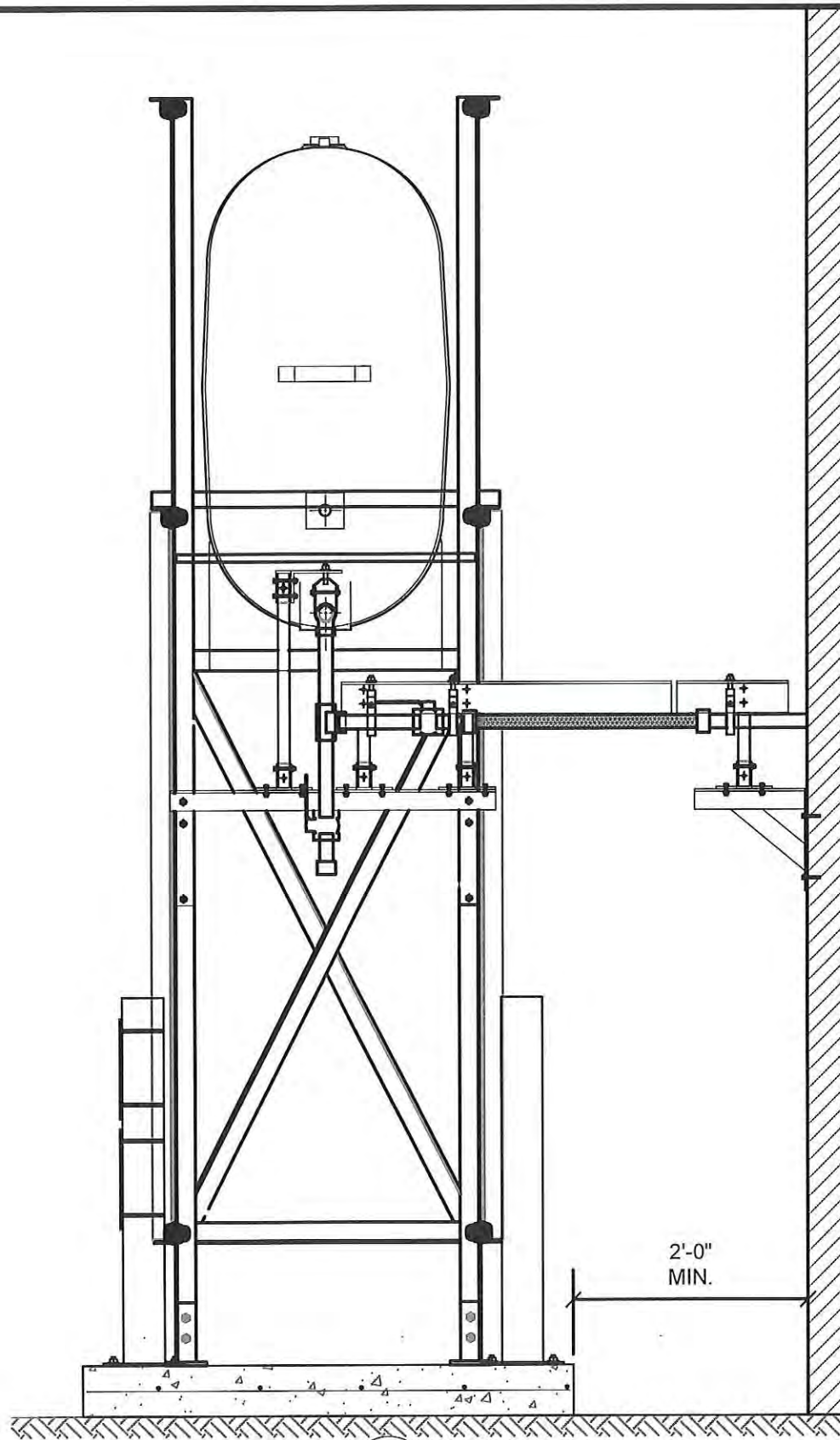
PROJECT TITLE:  
RCMP "V" DIVISION OIL TANK REPLACEMENT - KIMMIRUT  
V026 - GARAGE, KIMMIRUT  
SHEET TITLE:  
DEMOLITION & CONSTRUCTION PLAN  
PROJECT NUMBER:  
16-028-14-30

00 ISSUED FOR TENDER 18 06 04 JLS  
REV. # | REVISION | DATE (YY MM DD) | REV. BY

REV. # | REVISION | DATE (YY MM DD) | REV. BY

SCALE:  
AS NOTED  
DATE (YY MM DD):  
17 06 09

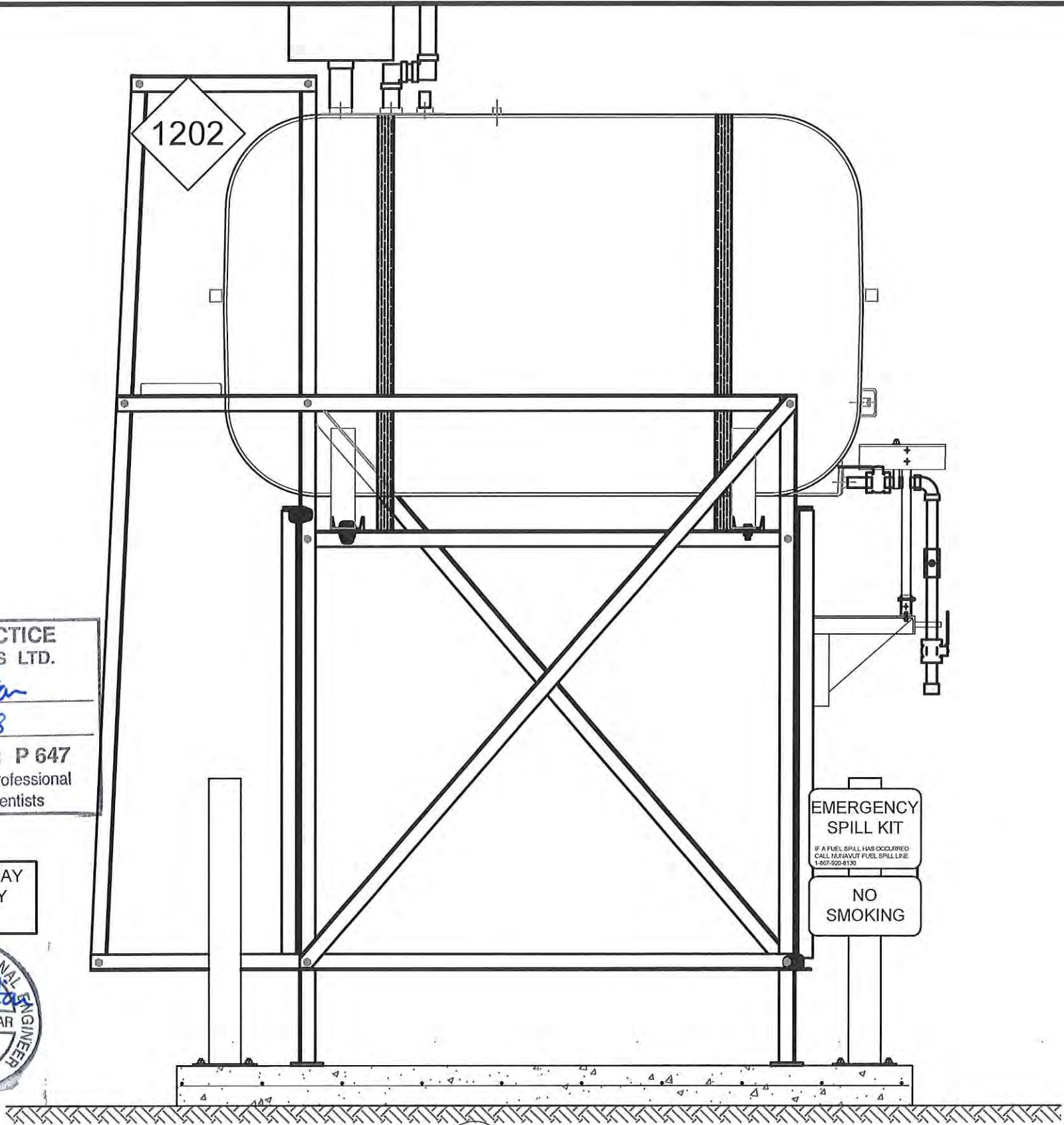
DRAWING NUMBER:  
**M1.0**  
REVISION NUMBER:  
00



01 OIL TANK ELEVATION - A  
M2.0 SCALE: 3/4"-1'-0"

PERMIT TO PRACTICE  
CAN-TEC SERVICES LTD.  
Signature J.V. Loesel Sitar  
Date 6.6.18  
PERMIT NUMBER: P 647  
NWT/NU Association of Professional  
Engineers and Geoscientists

TANK STANDS MAY  
NOT BE EXACTLY  
AS SHOWN



02 OIL TANK ELEVATION - B  
M2.0 SCALE: 3/4"-1'-0"



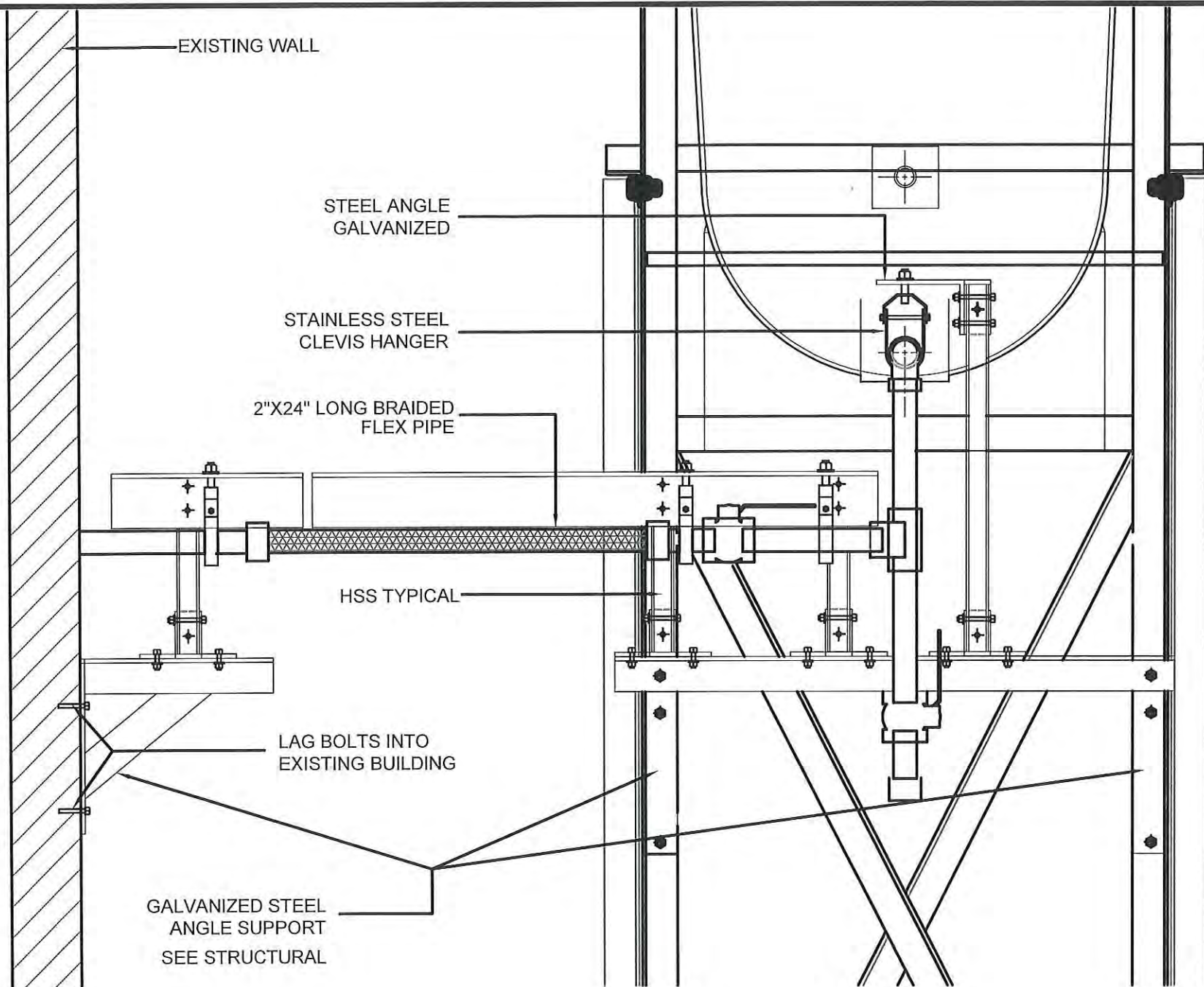
PROJECT TITLE:  
RCMP "V" DIVISION OIL TANK REPLACEMENT - KIMMIRUT  
V026 - GARAGE  
SHEET TITLE:  
TANK ELEVATIONS  
PROJECT NUMBER:  
16-028-14-30

00 ISSUED FOR TENDER 18 06 04 JLS  
REV. # | REVISION | DATE (YY MM DD) | REV. BY

REV. # | REVISION | DATE (YY MM DD) | REV. BY

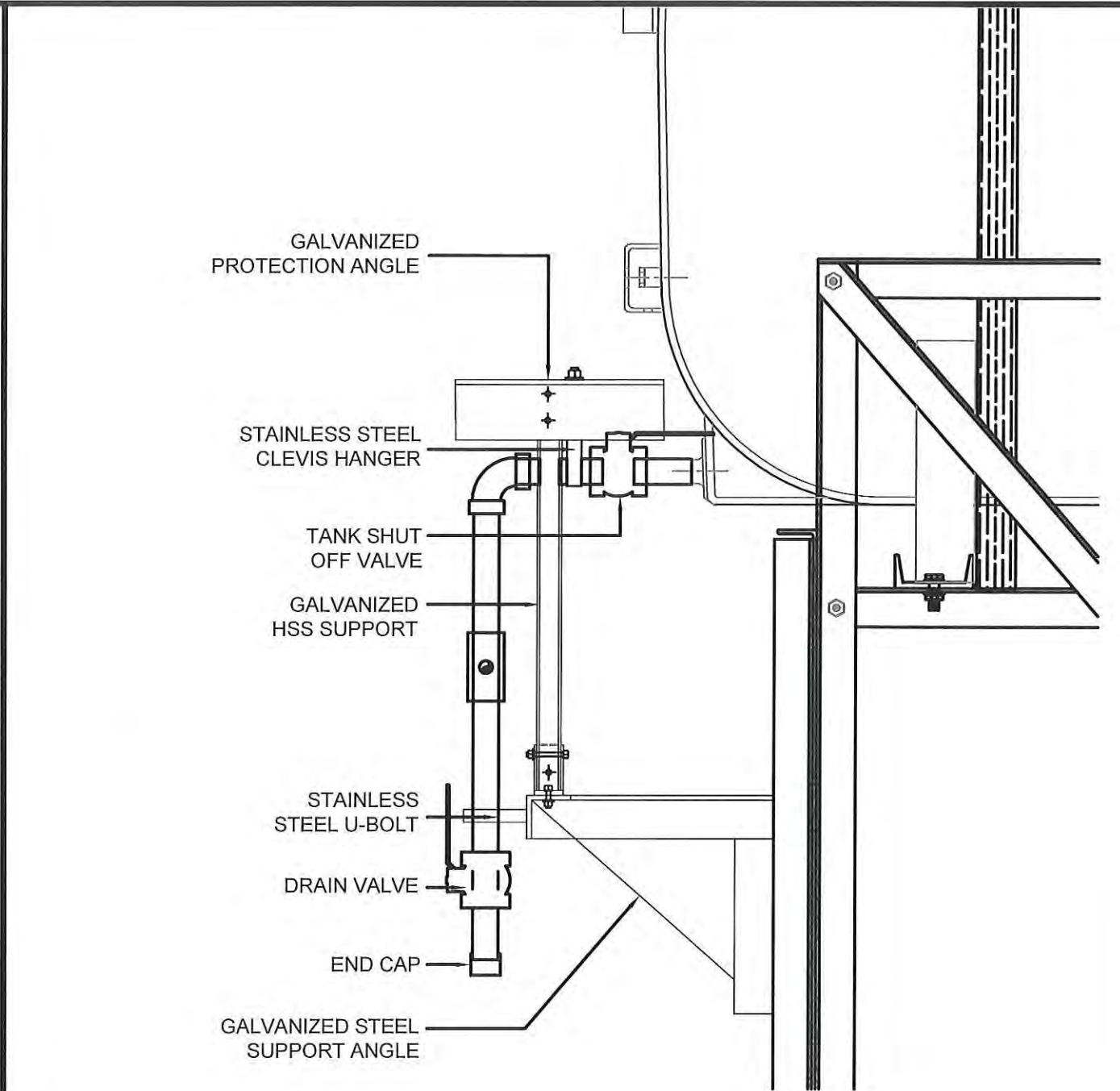
SCALE:  
AS NOTED  
DATE (YY MM DD):  
17 03 08

DRAWING NUMBER:  
**M2.0**  
REVISION NUMBER:  
00



01 FRONT VIEW  
M2.1 SCALE: 1 1/2"-1'-0"

- NOTE:
1. INSTALL PIPING AND PIPE SUPPORTS AS SHOWN. ON EXISTING STAND.
  2. INSTALL ALL NEW ACCESSORIES



02 SIDE VIEW  
M2.1 SCALE: 1 1/2"-1'-0"



**PERMIT TO PRACTICE**  
**CAN-TEC SERVICES LTD.**  
Signature J. L. Lohan  
Date 6-6-18  
**PERMIT NUMBER: P 647**  
NWT/NU Association of Professional  
Engineers and Geoscientists



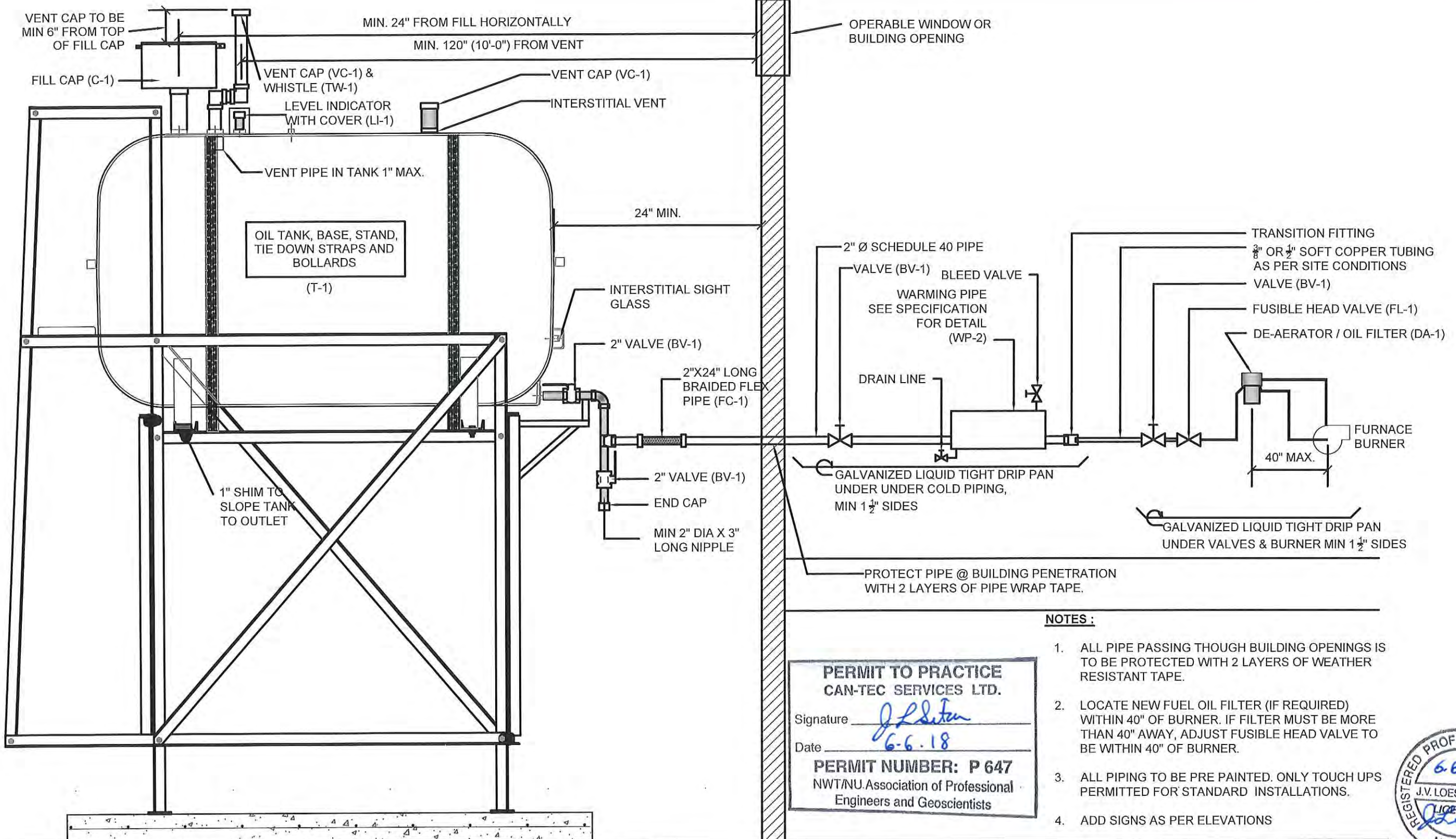
PROJECT TITLE:  
RCMP "V" DIVISION OIL TANK REPLACEMENT - KIMMIRUT  
V026 - GARAGE  
SHEET TITLE:  
2" FUEL LINE SUPPORT DETAILS  
PROJECT NUMBER:  
16-028-14-30

00	ISSUED FOR TENDER	18 06 04	JLS
REV. #	REVISION	DATE (YY MM DD)	REV. BY

REV. #	REVISION	DATE (YY MM DD)	REV. BY
--------	----------	-----------------	---------

SCALE:  
AS NOTED  
DATE (YY MM DD):  
17 03 08

DRAWING NUMBER:  
**M2.1**  
REVISION NUMBER:  
00



**NOTES :**

1. ALL PIPE PASSING THOUGH BUILDING OPENINGS IS TO BE PROTECTED WITH 2 LAYERS OF WEATHER RESISTANT TAPE.
2. LOCATE NEW FUEL OIL FILTER (IF REQUIRED) WITHIN 40" OF BURNER. IF FILTER MUST BE MORE THAN 40" AWAY, ADJUST FUSIBLE HEAD VALVE TO BE WITHIN 40" OF BURNER.
3. ALL PIPING TO BE PRE PAINTED. ONLY TOUCH UPS PERMITTED FOR STANDARD INSTALLATIONS.
4. ADD SIGNS AS PER ELEVATIONS

**PERMIT TO PRACTICE**  
**CAN-TEC SERVICES LTD.**  
 Signature J. Loesel Sitar  
 Date 6-6-18  
**PERMIT NUMBER: P 647**  
 NWT/NU Association of Professional  
 Engineers and Geoscientists



1 SCHEMATIC - TANK PIPING & ACCESSORIES : ON STAND  
 M3.0 SCALE: NTS



PROJECT TITLE:  
 RCMP "V" DIVISION OIL TANK REPLACEMENT - KIMMIRUT  
 V026 - GARAGE  
 SHEET TITLE:  
 SCHEMATIC - TANK, PIPING & ACCESSORIES  
 PROJECT NUMBER:  
 16-028-14-30

REV. #	REVISION	DATE (YY MM DD)	REV. BY
00	ISSUED FOR TENDER	18 03 23	JLS

REV. #	REVISION	DATE (YY MM DD)	REV. BY

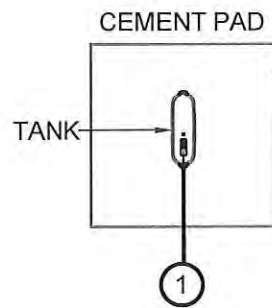
SCALE:  
 AS NOTED  
 DATE (YY MM DD):  
 17 03 08

DRAWING NUMBER:  
**M3.0**  
 REVISION NUMBER:  
 00



FRONT

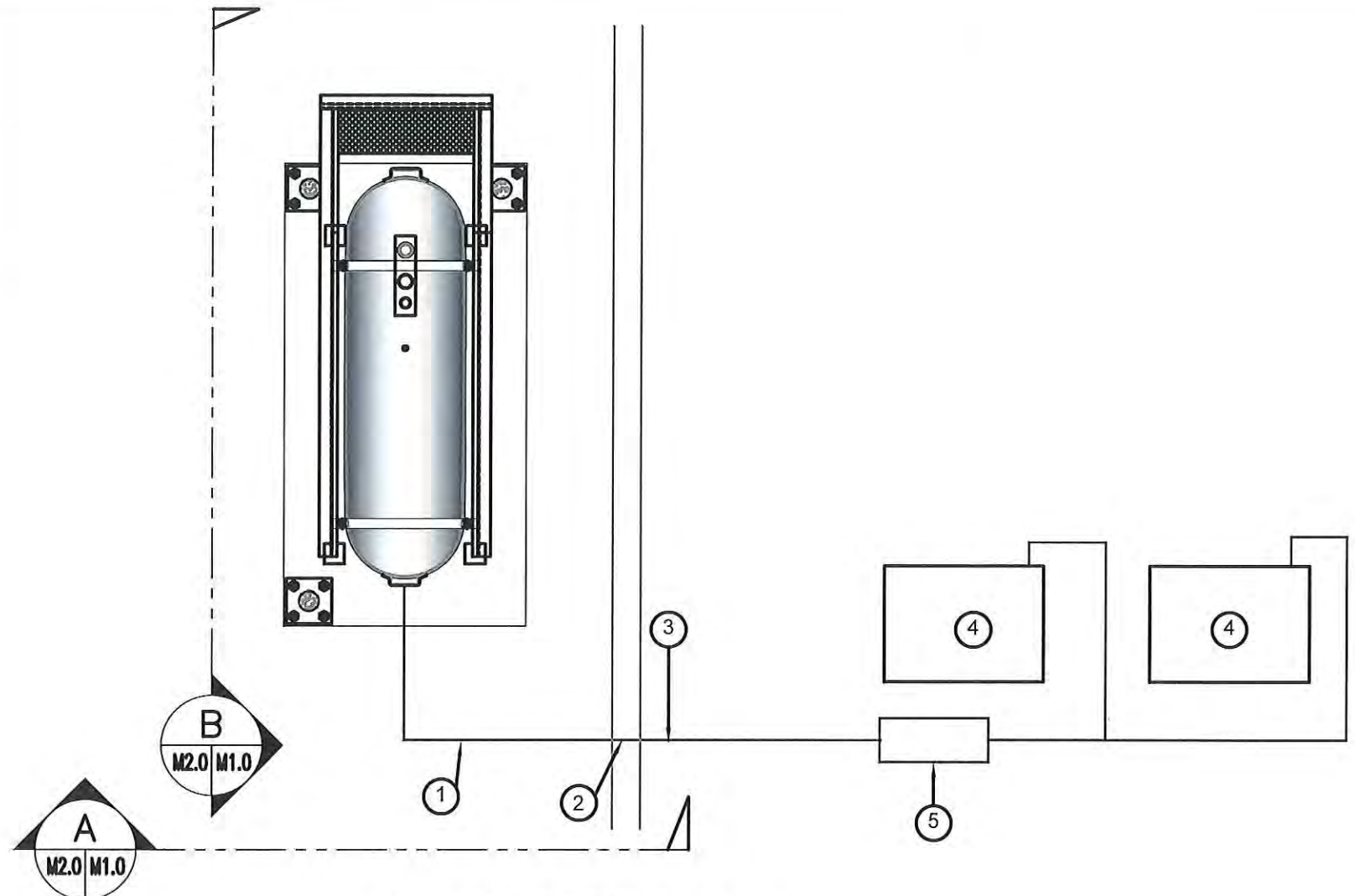
V0293 Detachment Site Plan  
KIMMIRUT



01 DEMOLITION PLAN  
M1.0 SCALE: NTS

DEMOLITION NOTES:

1. REMOVE ALL FUEL FROM THE EXISTING STEEL FUEL TANK.
2. EXISTING FUEL TANK, STAND AND CONCRETE BASE TO BE RETAINED FOR RE-INSTALLATION. REMOVE ALL ACCESSORIES TO BOILERS



02 CONSTRUCTION PLAN  
M1.0 SCALE: NTS

REPAIR NOTES:

1. REMOVE ALL ACCESSORIES AND INSTALL ALL NEW ACCESSORIES ON FUEL TANKS AND BOILER SEE DRAWING M3.0 FOR DETAILS.
2. TANK, STAND AND CONCRETE PAD IS TO BE SALVAGED ALL OTHER EQUIPMENT IS TO BE INSTALLED AS NEW.
3. ADJUST LOCATION OF CONCRETE PAD AS PER ATTACHED DETAILS FOR SEPARATION FROM BUILDING

CONSTRUCTION NOTES: #

1. INSTALL NEW PIPING SUPPORT AS PER SHEET M2.1 ALSO PROVIDE SUPPORT FOR FILL GAUGE LINE.
2. CAULK ENTRY INTO BUILDING.
3. INSTALL NEW 2" DIA PIPE
4. EXISTING BOILERS
5. NEW DAY TANK



**PERMIT TO PRACTICE**  
**CAN-TEC SERVICES LTD.**

Signature J.L. Sitar

Date 6-6-18

**PERMIT NUMBER: P 647**  
NWT/NU Association of Professional  
Engineers and Geoscientists



PROJECT TITLE:  
RCMP "V" DIVISION OIL TANK REPLACEMENT - KIMMIRUT  
V293 FACILITY BUILDING

SHEET TITLE:  
DEMOLITION & CONSTRUCTION PLAN

PROJECT NUMBER:  
16-028-14-30

00 ISSUED FOR TENDER 18 06 04 JLS

REV. # REVISION DATE (YY MM DD) REV. BY

REV. # REVISION DATE (YY MM DD) REV. BY

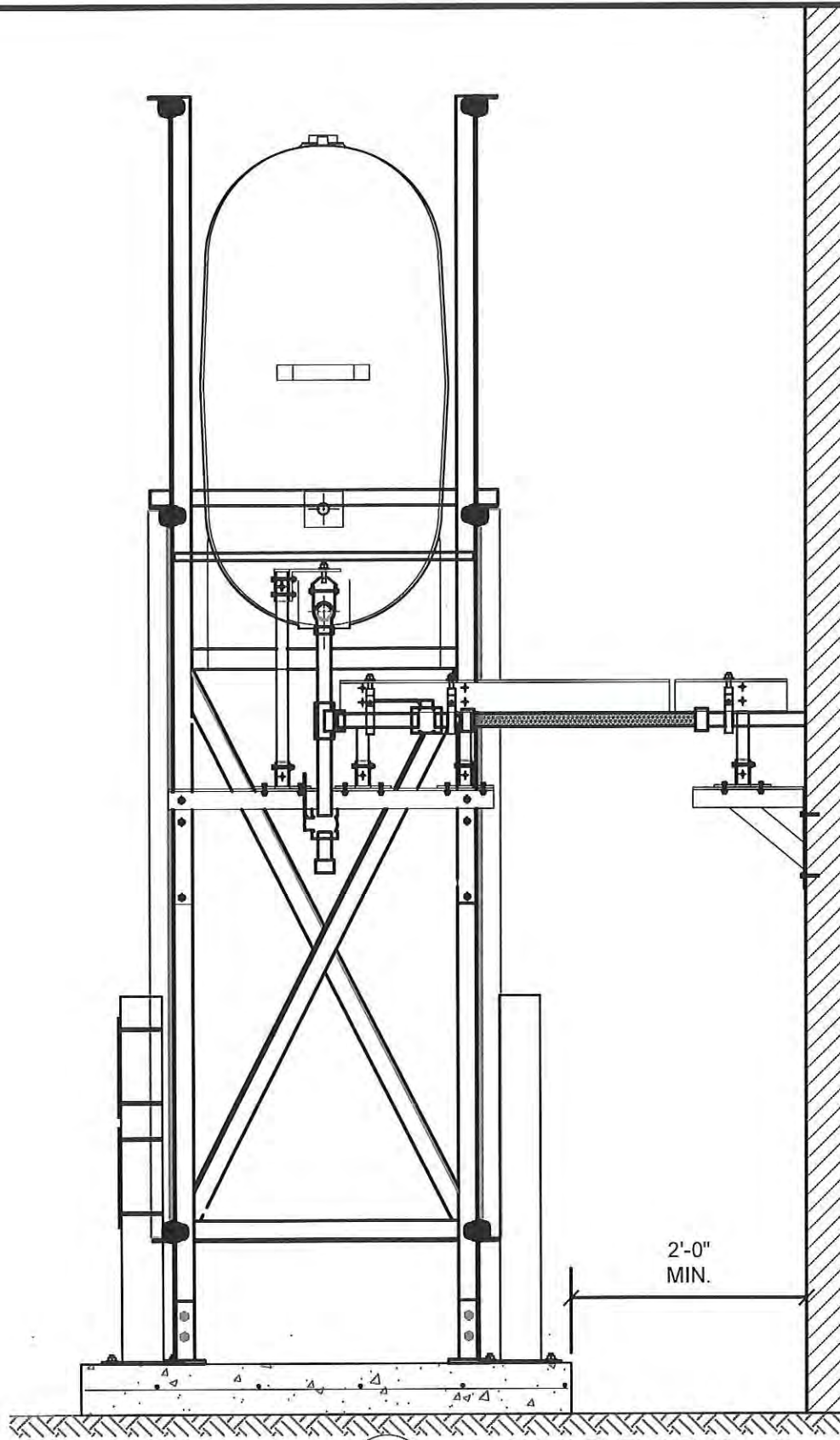
SCALE:  
AS NOTED

DATE (YY MM DD):  
17 06 09

DRAWING NUMBER:  
**M1.0**

REVISION NUMBER:  
00

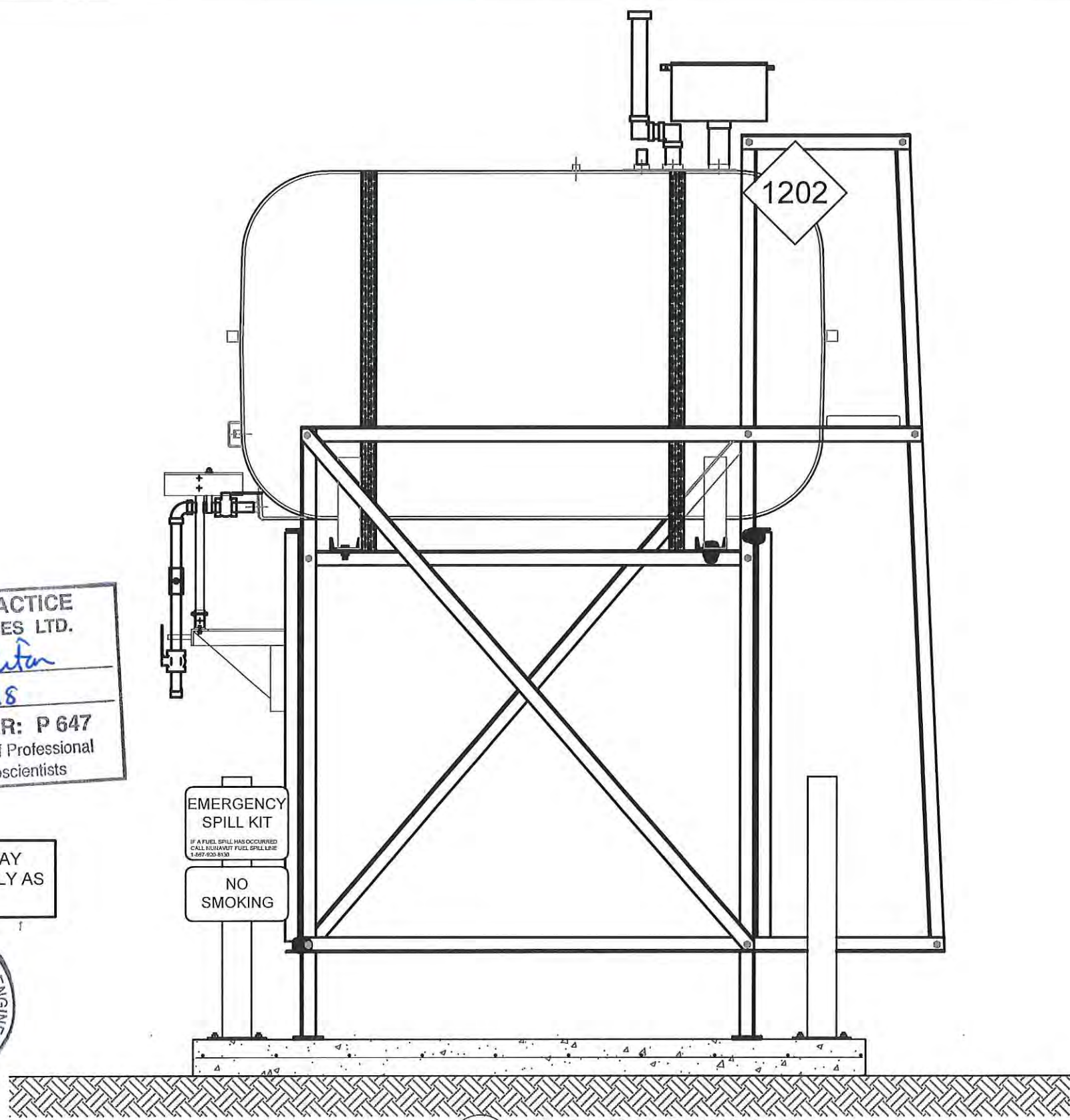




01 OIL TANK ELEVATION - A  
M2.0 SCALE: 3/4"-1'-0"

PERMIT TO PRACTICE  
CAN-TEC SERVICES LTD.  
Signature J.L. Sitar  
Date 6.6.18  
PERMIT NUMBER: P 647  
NWT/NU Association of Professional  
Engineers and Geoscientists

TANK STAND MAY  
NOT BE EXACTLY AS  
SHOWN



02 OIL TANK ELEVATION - B  
M2.0 SCALE: 3/4"-1'-0"



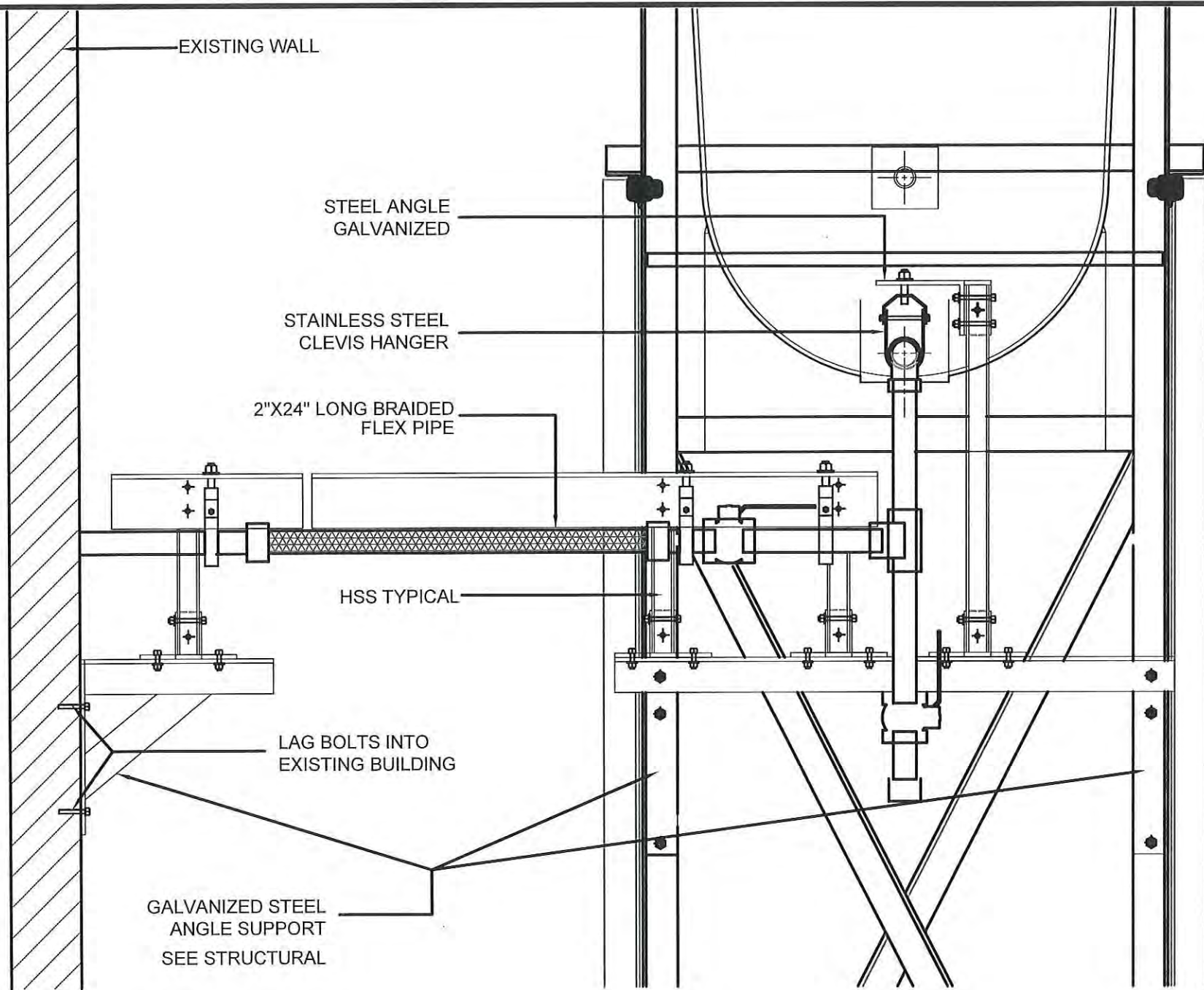
PROJECT TITLE:  
RCMP "V" DIVISION OIL TANK REPLACEMENT - KIMMIRUT  
V293 FACILITY BUILDING  
SHEET TITLE:  
TANK ELEVATIONS  
PROJECT NUMBER:  
16-028-14-30

00	ISSUED FOR TENDER	18 06 04	JLS
REV. #	REVISION	DATE (YY MM DD)	REV. BY

REV. #	REVISION	DATE (YY MM DD)	REV. BY
--------	----------	-----------------	---------

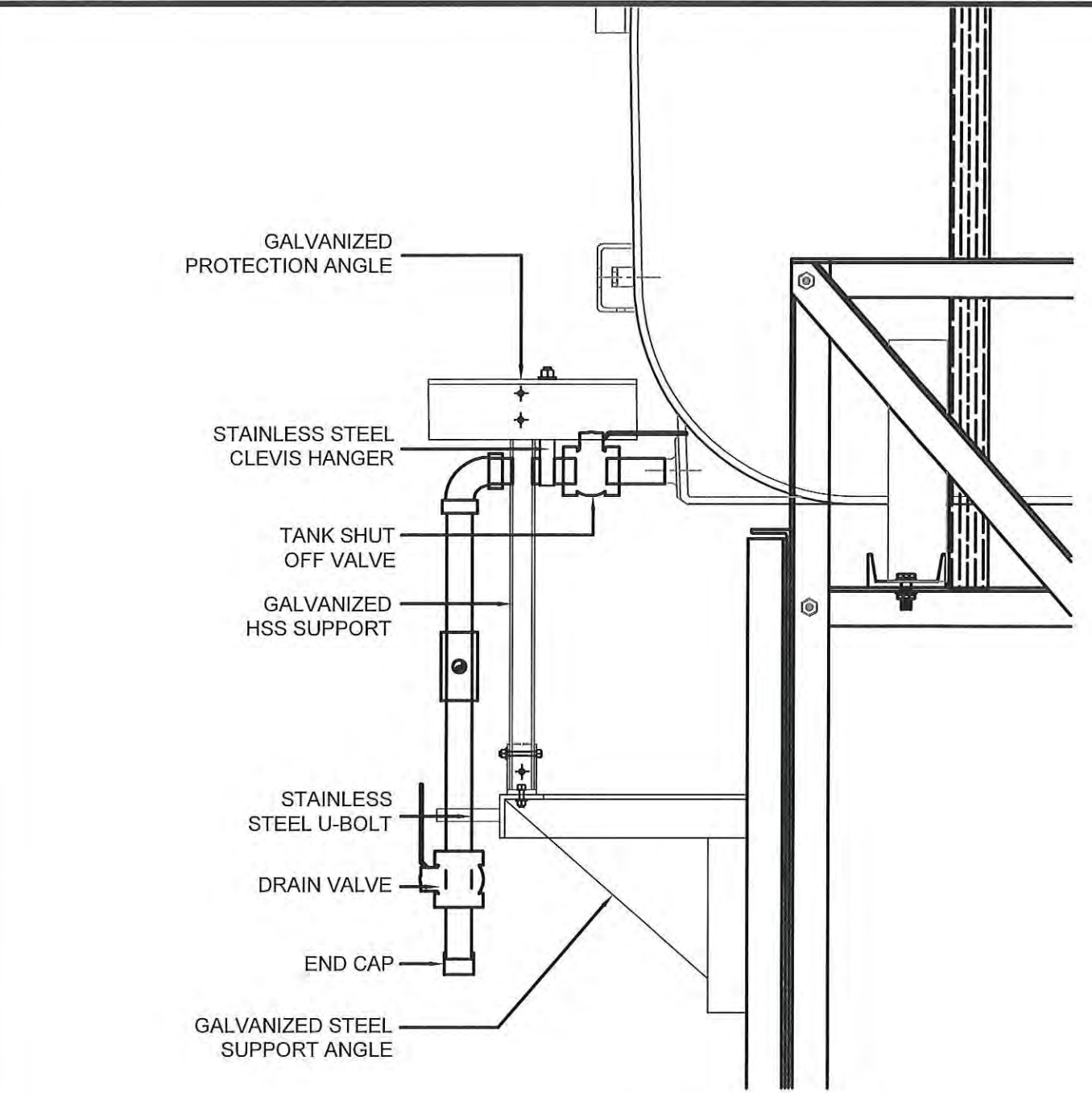
SCALE:  
AS NOTED  
DATE (YY MM DD):  
17 03 08

DRAWING NUMBER:  
**M2.0**  
REVISION NUMBER:  
00



01 FRONT VIEW  
M2.1 SCALE: 1 1/2"-1'-0"

- NOTE:
1. INSTALL PIPING AND PIPE SUPPORTS AS SHOWN. ON EXISTING STAND.
  2. INSTALL ALL NEW ACCESSORIES



02 SIDE VIEW  
M2.1 SCALE: 1 1/2"-1'-0"



PERMIT TO PRACTICE  
CAN-TEC SERVICES LTD.  
Signature *J.L. Lifer*  
Date *6-6-18*  
PERMIT NUMBER: P 647  
NWT/NU Association of Professional  
Engineers and Geoscientists



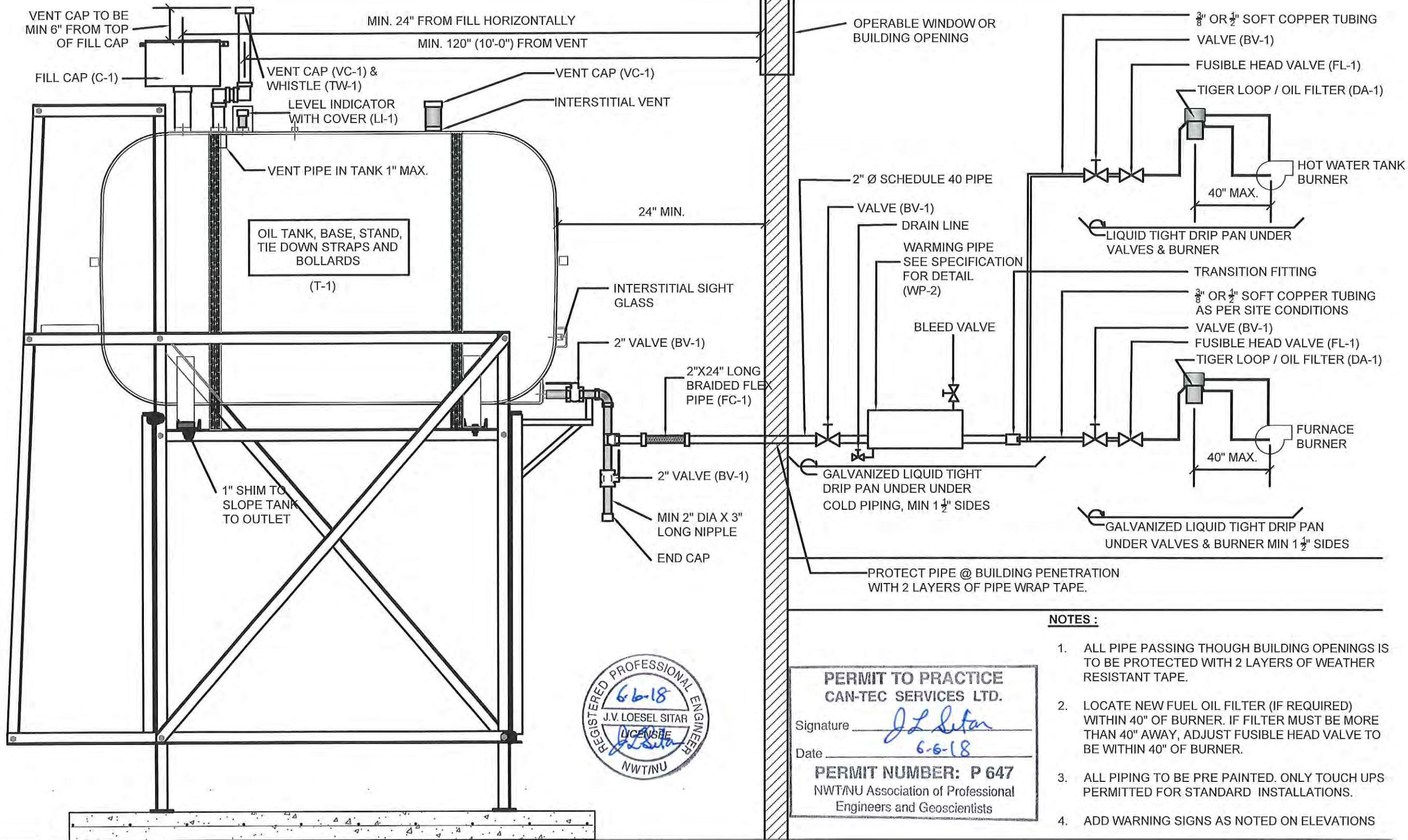
PROJECT TITLE:  
RCMP "V" DIVISION OIL TANK REPLACEMENT - KIMMIRUT  
V293 FACILITY BUILDING  
SHEET TITLE:  
2" FUEL LINE SUPPORT DETAILS  
PROJECT NUMBER:  
16-028-14-30

00	ISSUED FOR TENDER	18 06 04	JLS
REV. #	REVISION	DATE (YY MM DD)	REV. BY

REV. #	REVISION	DATE (YY MM DD)	REV. BY
--------	----------	-----------------	---------

SCALE:  
AS NOTED  
DATE (YY MM DD):  
17 03 08

DRAWING NUMBER:  
**M2.1**  
REVISION NUMBER:  
00



**NOTES :**

1. ALL PIPE PASSING THOUGH BUILDING OPENINGS IS TO BE PROTECTED WITH 2 LAYERS OF WEATHER RESISTANT TAPE.
2. LOCATE NEW FUEL OIL FILTER (IF REQUIRED) WITHIN 40" OF BURNER. IF FILTER MUST BE MORE THAN 40" AWAY, ADJUST FUSIBLE HEAD VALVE TO BE WITHIN 40" OF BURNER.
3. ALL PIPING TO BE PRE PAINTED. ONLY TOUCH UPS PERMITTED FOR STANDARD INSTALLATIONS.
4. ADD WARNING SIGNS AS NOTED ON ELEVATIONS



**PERMIT TO PRACTICE**  
**CAN-TEC SERVICES LTD.**  
 Signature J.L. Sitar  
 Date 6-6-18  
**PERMIT NUMBER: P 647**  
 NWT/NU Association of Professional  
 Engineers and Geoscientists

1 SCHEMATIC - TANK PIPING & ACCESSORIES : ON STAND  
 M3.0 SCALE: NTS



PROJECT TITLE:  
 RCMP "V" DIVISION OIL TANK REPLACEMENT - KIMMIRUT  
 V293 FACILITY BUILDING  
 SHEET TITLE:  
 SCHEMATIC - TANK, PIPING & ACCESSORIES  
 PROJECT NUMBER:  
 16-028-14-30

00 ISSUED FOR TENDER 18 06 04 JLS  
 REV. # REVISION DATE (YY MM DD) REV. BY

REV. # REVISION DATE (YY MM DD) REV. BY

SCALE:  
 AS NOTED  
 DATE (YY MM DD):  
 17 03 08

DRAWING NUMBER:  
**M3.0**  
 REVISION NUMBER:  
 00