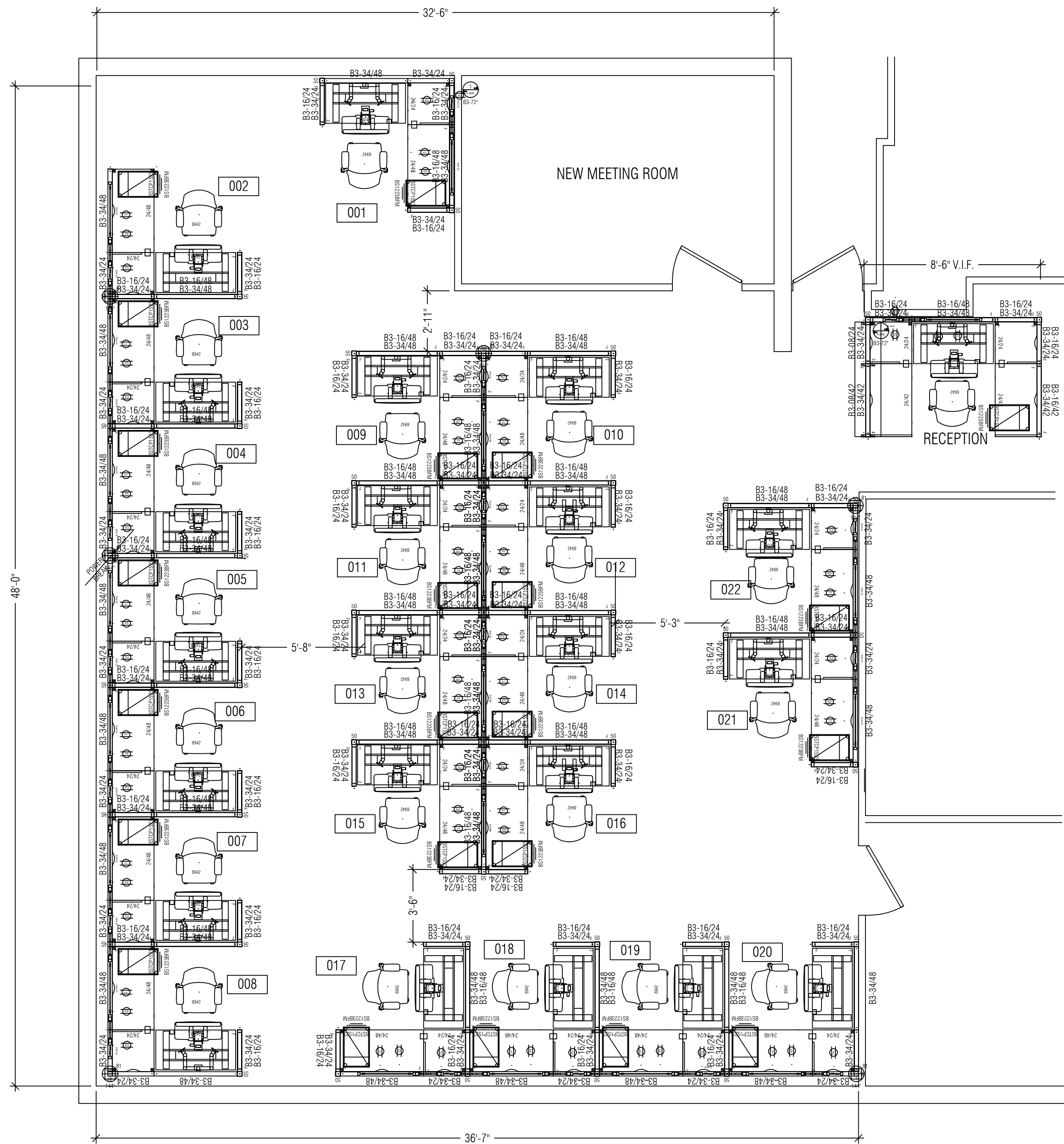




THE GLOBAL GROUP
 1350 FLINT ROAD
 TORONTO, ON, M3J 2J7
 TEL #: 416 661-3660
 www.globalfurnituregroup.com

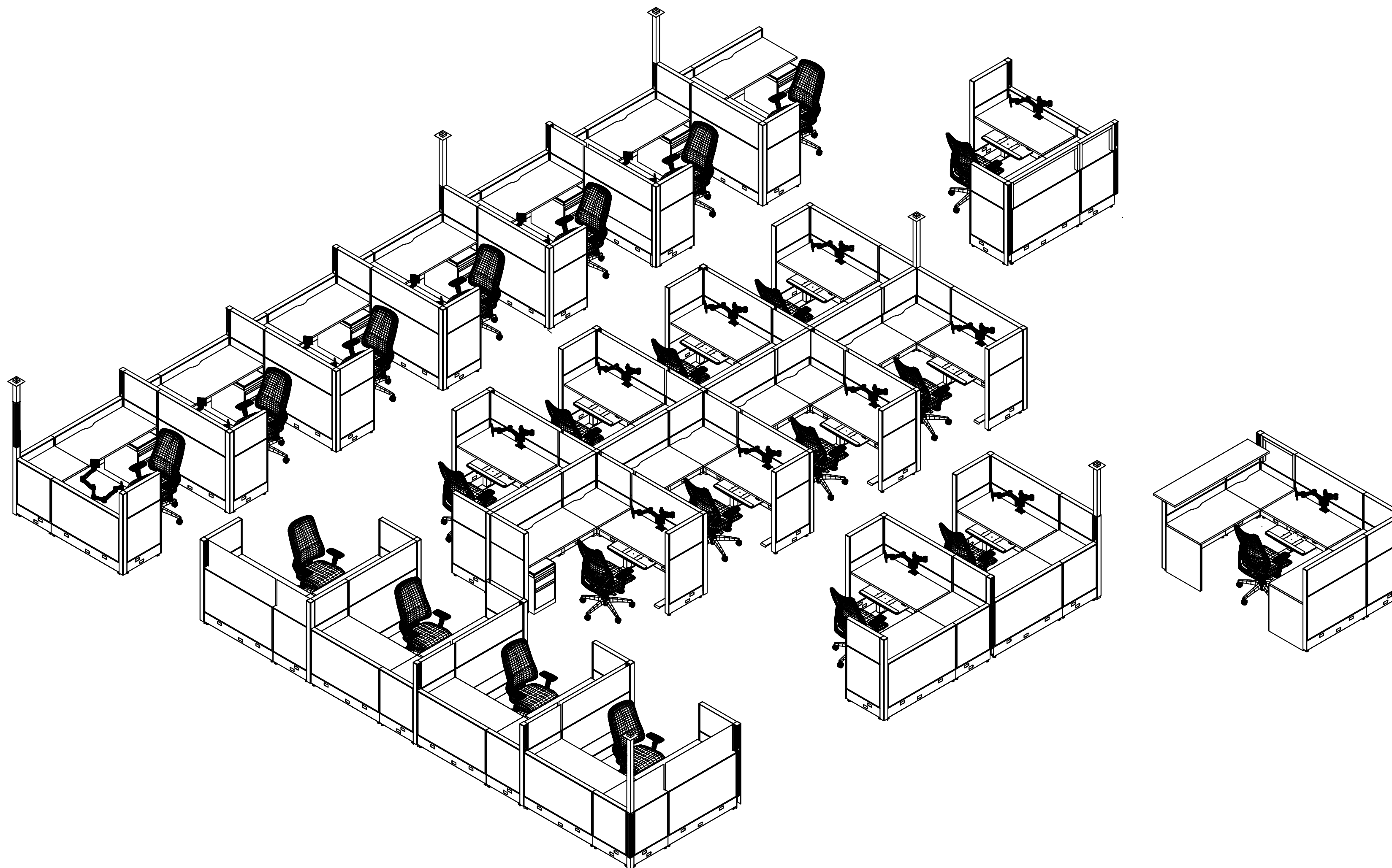


DRAWING NAME:	
PROPOSED FURNITURE PLAN	
PROJ #	T180681
REV #	001
CAD	DN
REP	B.MCNAUGHTON
SCALE	NTS
DATE	20/09/2018
PAGE #	1 OF 1

THE GLOBAL GROUP DOES NOT ASSUME RESPONSIBILITY FOR BASE BUILDING DRAWINGS. THESE DRAWINGS ARE FOR THE SPECIFICATION OF GLOBAL PRODUCTS ONLY, AND DO NOT REPLACE ARCHITECTURAL DRAWINGS. IT IS THE RESPONSIBILITY OF THE CLIENT PROVIDING THE BASE BUILDING DRAWING TO VERIFY THAT IT AND ITS DIMENSIONS ARE ACCURATE BEFORE ORDERING PRODUCTS. IMAGES ARE COMPUTER GENERATED AND MAY NOT ACCURATELY REPRESENT THE ACTUAL PRODUCT. THE INFORMATION AND IDEAS PROVIDED HEREIN ARE CONFIDENTIAL AND MAY NOT BE USED OR DISCLOSED TO ANY OTHER PERSON WITHOUT THE PRIOR WRITTEN PERMISSION OF THE GLOBAL GROUP.



THE GLOBAL GROUP
 1350 FLINT ROAD
 TORONTO, ON, M3J 2J7
 TEL #: 416 661-3660
 www.globalfurnituregroup.com



DRAWING NAME:	
PROPOSED FURNITURE PLAN	
PROJ #	T180681
REV #	001
CAD	DN
REP	B.MCNAUGHTON
REP	
SCALE	NTS
DATE	20/09/2018
PAGE #	1 of 1

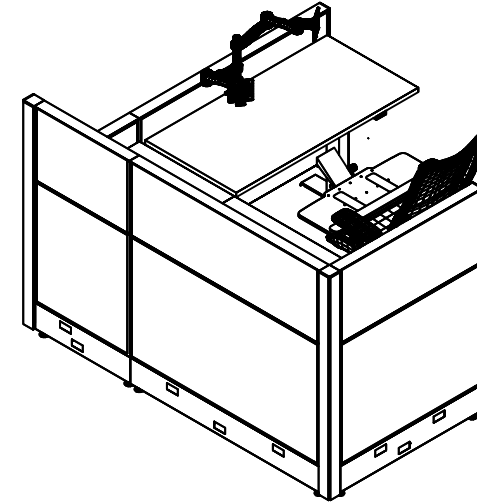
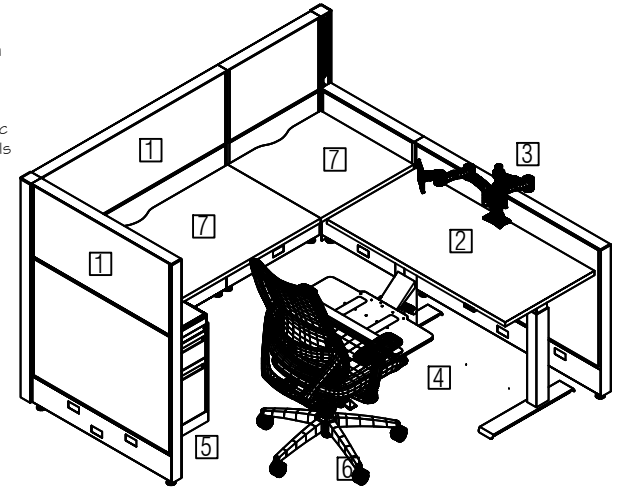
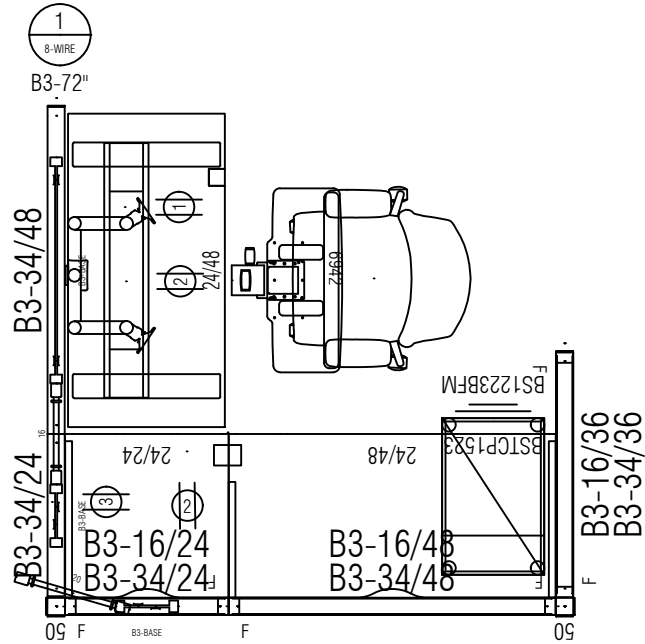
THE GLOBAL GROUP DOES NOT ASSUME RESPONSIBILITY FOR BASE BUILDING DRAWINGS. THESE DRAWINGS ARE FOR THE SPECIFICATION OF GLOBAL PRODUCTS ONLY, AND DO NOT REPLACE ARCHITECTURAL DRAWINGS. IT IS THE RESPONSIBILITY OF THE CLIENT PROVIDING THE BASE BUILDING DRAWING TO VERIFY THAT IT AND ITS DIMENSIONS ARE ACCURATE BEFORE ORDERING PRODUCTS. IMAGES ARE COMPUTER GENERATED AND MAY NOT ACCURATELY REPRESENT THE ACTUAL PRODUCT. THE INFORMATION AND IDEAS PROVIDED HEREIN ARE CONFIDENTIAL AND MAY NOT BE USED OR DISCLOSED TO ANY OTHER PERSON WITHOUT THE PRIOR WRITTEN PERMISSION OF THE GLOBAL GROUP.

Typical Workstation

BOULEVARD 3

General Note
 Electrical: 3 Receptacles per workstation
 as per plan, base or ceiling feeds where
 applicable

1. Overall 50"H w/ 34"H base monolithic fabric panel + 16"H over panel. Panels against windows will be 34"H.
2. Freefit Height Adj. Table
3. Dual Monitor arm
4. Keyboard Tray
5. Mobile Box-File w/ cushion
6. Global Accord Task chair
7. Fixed worksurfaces



PROJECT NAME: CBSA

DRAWING NAME: LICENSE FREEFIT TABLES WITH FABRIC DIVIDERS



THE GLOBAL GROUP
 1350 FLINT ROAD, TORONTO, ON, M3J 2J7
 TEL #: 416 661-3660
 www.globalfurnituregroup.com

PROJ #	T180642	REP	J.BRUSKIN
REV #	001	REP	
CAD	DN	SCALE	NTS
		DATE	20/09/2018

THE GLOBAL GROUP DOES NOT ASSUME RESPONSIBILITY FOR BASE BUILDING DRAWINGS. THESE DRAWINGS ARE FOR THE SPECIFICATION OF GLOBAL PRODUCTS ONLY, AND DO NOT REPLACE ARCHITECTURAL DRAWINGS. IT IS THE RESPONSIBILITY OF THE CLIENT PROVIDING THE BASE BUILDING DRAWING TO VERIFY THAT IT AND ITS DIMENSIONS ARE ACCURATE BEFORE ORDERING PRODUCTS. IMAGES ARE COMPUTER GENERATED AND MAY NOT ACCURATELY REPRESENT THE ACTUAL PRODUCT. THE INFORMATION AND IDEAS PROVIDED HEREIN ARE CONFIDENTIAL AND MAY NOT BE USED OR DISCLOSED TO ANY OTHER PERSON WITHOUT THE PRIOR WRITTEN PERMISSION OF THE GLOBAL GROUP.

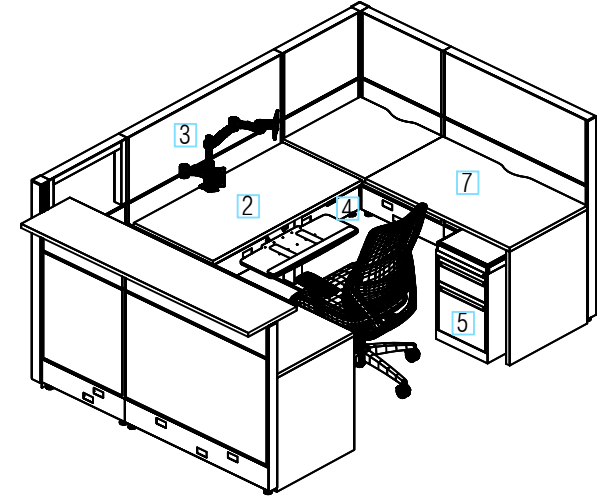
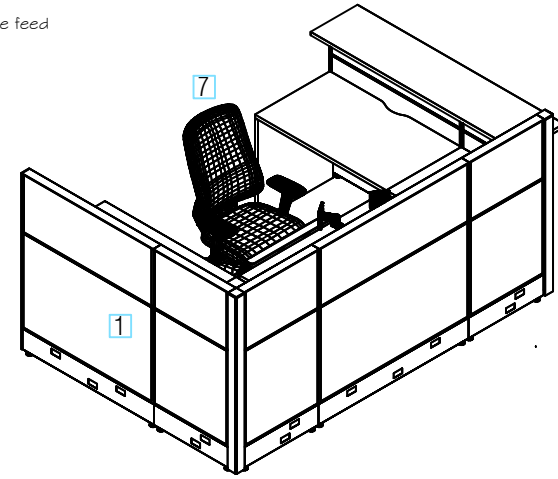
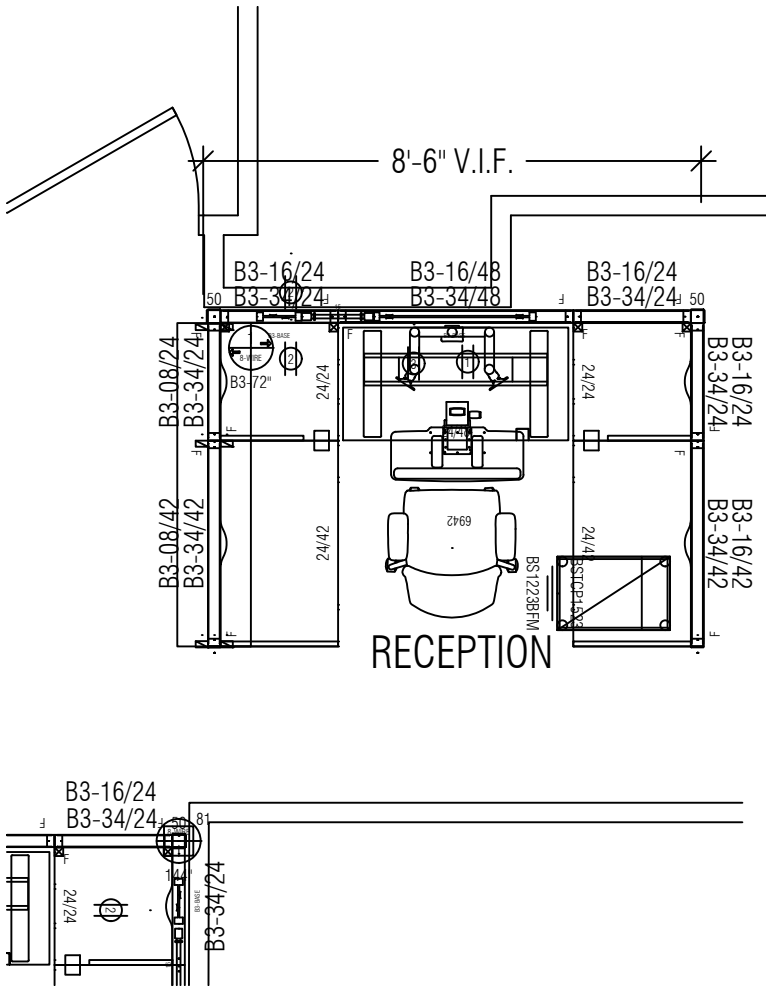
PAGE #
 1 of 1

Reception

BOULEVARD 3

General Note
Electrical: 3 Receptacles with base feed

1. 42"H panels
2. Freefit Height Adj. Table
3. Dual Monitor arm
4. Keyboard Tray
5. Mobile Box-File w/ cushion
6. Sora Task Chair
7. Fixed worksurfaces



PROJECT NAME: RCMP

DRAWING NAME: RECEPTION - BOULEVARD 3



THE GLOBAL GROUP
1350 FLINT ROAD, TORONTO, ON, M3J 2J7
TEL #: 416 661-3660
www.globalfurnituregroup.com

PROJ #	T180680	REP	B.MCNAUGHTON
REV #	001	REP	
CAD	DN	SCALE	NTS
		DATE	20/09/2018

THE GLOBAL GROUP DOES NOT ASSUME RESPONSIBILITY FOR BASE BUILDING DRAWINGS. THESE DRAWINGS ARE FOR THE SPECIFICATION OF GLOBAL PRODUCTS ONLY, AND DO NOT REPLACE ARCHITECTURAL DRAWINGS. IT IS THE RESPONSIBILITY OF THE CLIENT PROVIDING THE BASE BUILDING DRAWING TO VERIFY THAT IT AND ITS DIMENSIONS ARE ACCURATE BEFORE ORDERING PRODUCTS. IMAGES ARE COMPUTER GENERATED AND MAY NOT ACCURATELY REPRESENT THE ACTUAL PRODUCT. THE INFORMATION AND IDEAS PROVIDED HEREIN ARE CONFIDENTIAL AND MAY NOT BE USED OR DISCLOSED TO ANY OTHER PERSON WITHOUT THE PRIOR WRITTEN PERMISSION OF THE GLOBAL GROUP.

PAGE #
1 OF 1