

# ESQUIMALT VETERANS CEMETERY COLUMBARIA, PHASE 2

## ESQUIMALT, BC

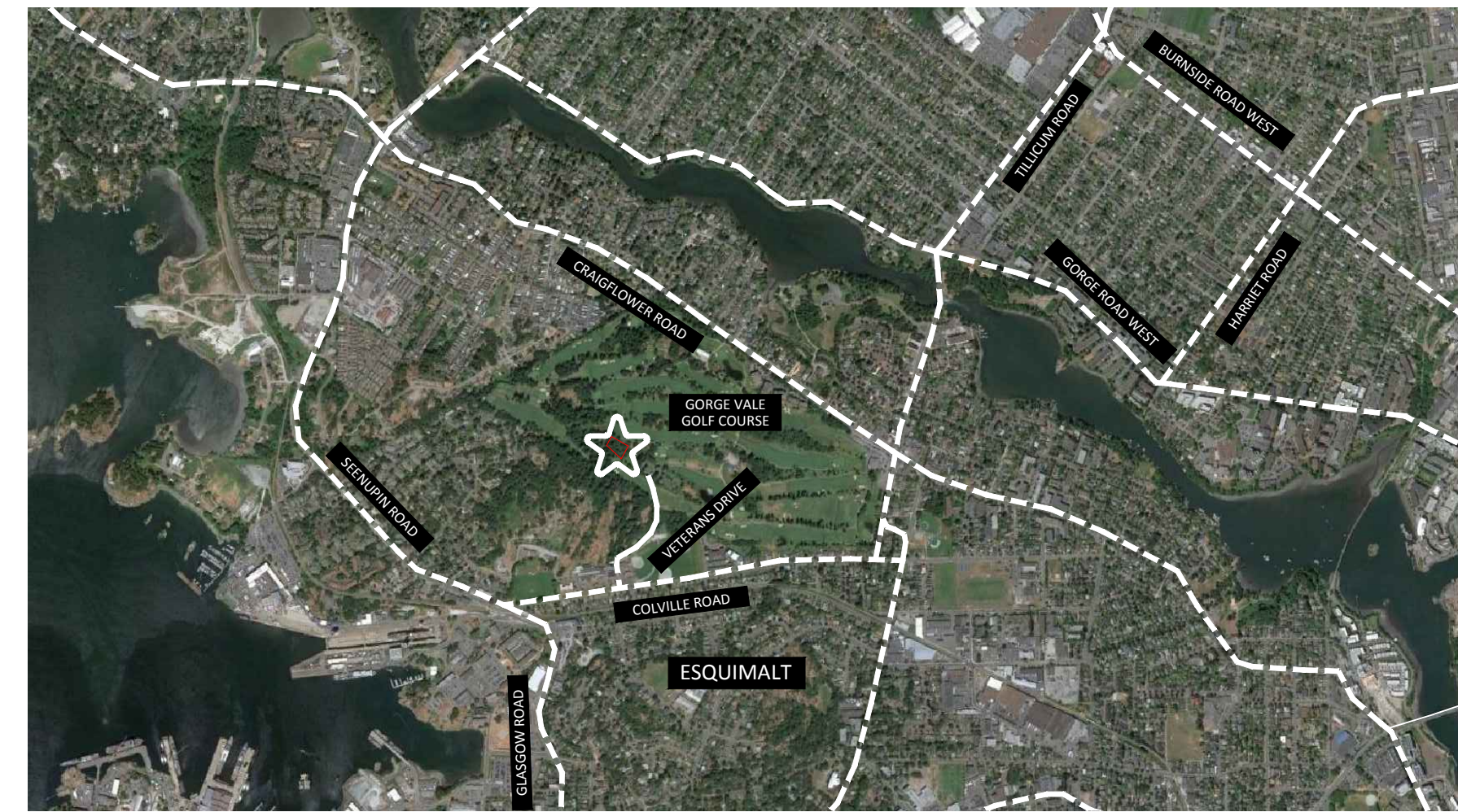
### NOVEMBER 30th, 2018. 100% CONSTRUCTION DRAWINGS



NOV 30 2018



**2** CONCEPTUAL GRAPHIC - INCLUDED COLUMBARIA HIGHLIGHTED  
0.0 SCALE: Do Not Scale



**1** CONTEXT PLAN  
0.0 SCALE: 1:20,000

#### DRAWING LIST

- L0.0 COVER SHEET
- L1.0 STAGING & SITE ACCESS PLAN
- L2.0 LOCATION PLAN

#### CONSTRUCTION DETAILS:

- L3.0 40 NICHE COLUMBARIA - LAYOUT
- L3.1 80 NICHE COLUMBARIA - LAYOUT
- L3.2 40 NICHE COLUMBARIA - STONE ELEMENTS
- L3.3 80 NICHE COLUMBARIA - STONE ELEMENTS
- L3.4 END WALLS AND STONE SCHEDULES
- L3.5 40 NICHE COLUMBARIA - ALUMINUM FRAME
- L3.6 80 NICHE COLUMBARIA - ALUMINUM FRAME
- L3.7 ALUMINUM SECTION DETAILS AND CAST ALUMINUM CORNER PIECES
- L3.8 80 NICHE COLUMBARIA DECORATIVE GRANITE TRIM

COLUMBARIA LAYOUT FOR REFERENCE ONLY, ACTUAL LOCATION TO BE CONFIRMED ON SITE.

Revision/Revision	Description/Description	Date/Date
1	100% CONSTRUCTION DRAWINGS	18/11/30

Client/client

Veterans Affairs Canada / Anciens Combattants Canada

Project title/Titre du projet  
**ESQUIMALT, B.C.  
VETERANS DRIVE  
ESQUIMALT VETERANS  
CEMETERY COLUMBARIA  
PHASE 2**

Consultant Signature Box Only

Designed by/Concept par  
**LEES + ASSOCIATES**

Drawn by/Dessiné par  
**LEES + ASSOCIATES / DATE (2018.11.30)**

PSPC Project Manager/Administrateur de Projets TPSSC  
**Alena Mikulica**

PSPC, Regional Manager, Architectural and Engineering Services/  
Gestionnaire régionale, Services d'architectural et de génie, TPSSC

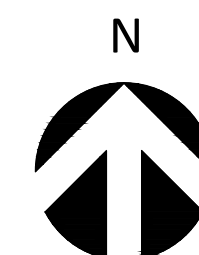
Drawing title/Titre du dessin  
**COVER SHEET**

Project No./No. du projet  
**R.102470.001.**

Sheet/Feuille  
**L0.0**

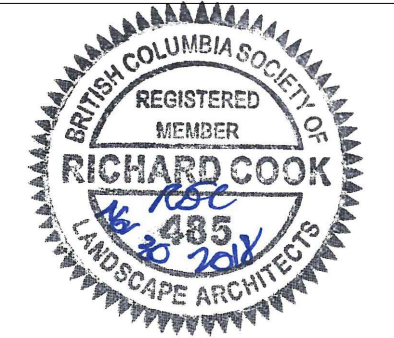
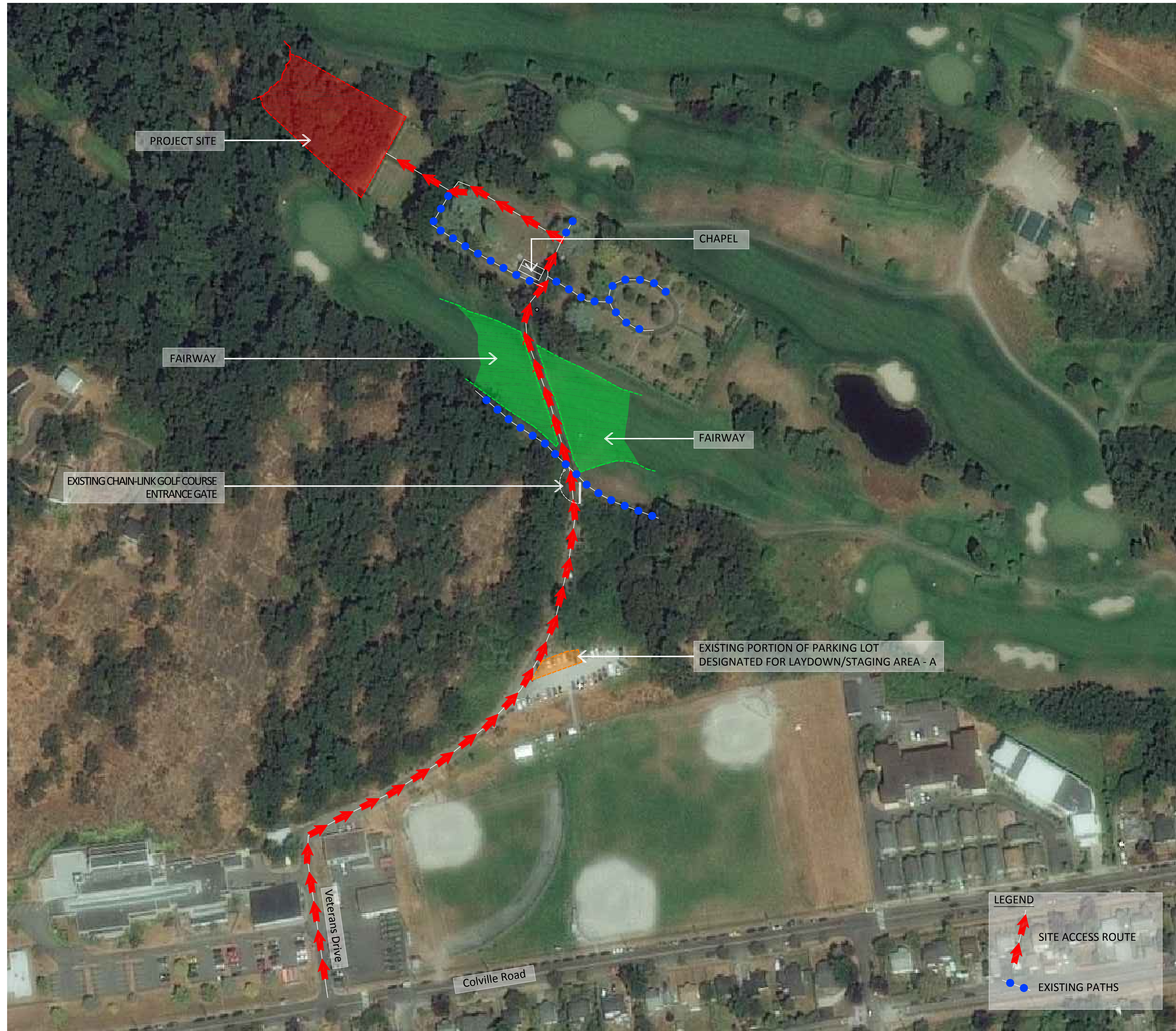
Revision no./La Révision no.  
**1**

**1 OF 12**



Z:\Active Clients\Public Works and Government Services Canada\18-238 Columbaria Tender&CA Phase 2\16\_CAD\Working Drawings\18-238\_EVC\_Exp\_L00\_Cover.dwg

Z:\Active Clients\Public Works and Government Services Canada\18-238 Columbaria Tender&CA Phase 2\6\_CAD\Working Drawings\18-238\_EVC\_Exp\_L10\_Site Access Plan.dwg



NOV 3 0 2018

Revision/Revision	Description/Description	Date/Date
1	100% CONSTRUCTION DRAWINGS	18/11/30

Client/client  
 Veterans Affairs Canada / Anciens Combattants Canada

Project title/Titre du projet  
**ESQUIMALT, B.C.  
 VETERANS DRIVE  
 ESQUIMALT VETERANS  
 CEMETERY COLUMBARIA  
 PHASE 2**

Consultant Signature Box Only

Designed by/Concept par  
**LEES + ASSOCIATES**

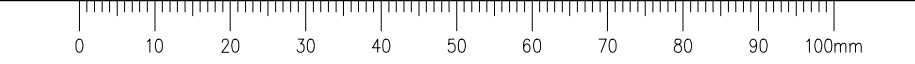
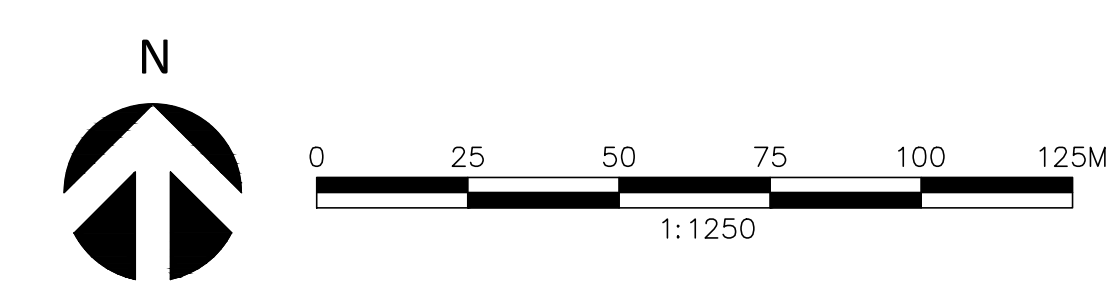
Drawn by/Dessiné par  
**LEES + ASSOCIATES / DATE (2018.11.30)**

PSPC Project Manager/Administrateur de Projets TPSGC  
**Alena Mikulica**

PSPC Regional Manager, Architectural and Engineering Services/  
 Gestionnaire régionale, Services d'architectural et de génie, TPSGC

Drawing title/Titre du dessin  
**STAGING & SITE ACCESS PLAN**

Project No./No. du projet <b>R.102470.001.</b>	Sheet/Feuille <b>L1.0</b> 2 OF 12	Revision no./La Révision no. <b>1</b>
---	---	--



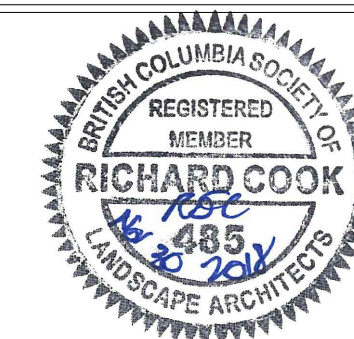


**COLUMBARIA NOTES:**  
 - TYPE A1 TO A10 TO HAVE 80 NICHES.  
 - TYPE B1 TO HAVE 64 NICHES.  
 - TYPE C1 TO C10 TO HAVE 40 NICHES.

**(14) COLUMBARIA INCLUDED IN THIS TENDER:** - - - - -

- (8) 40 NICHE COLUMBARIA: (C1) (C2) (C3) (C4) (C5) (C6) (C8) (C9) (C10)

- (6) 80 NICHE COLUMBARIA: (A3) (A4) (A5) (A6) (A9) (A10)



LEGEND NOV 3 0 2018

- - - - - PROPERTY BOUNDARY
- AREAS WITH MULCH
- PLAZA CONCRETE PAVER SURFACE
- GREY GRANITE SURFACE COURSE
- CONTOUR AT 1m INTERVALS
- CONTOUR AT 0.2m INTERVALS
- FENCE
- APPROXIMATE EXTENTS OF BEDROCK OUTCROPS
- 80 NICHE COLUMBARIUM
- 40 NICHE COLUMBARIUM
- BENCH
- BOULDERS
- GRANITE CAP
- TREE LOCATION
- HOSE BIB LOCATION

COLUMBARIA LAYOUT FOR REFERENCE ONLY, ACTUAL LOCATION TO BE CONFIRMED ON SITE.

Revision/Revision	Description/Description	Date/Date
1	100% CONSTRUCTION DRAWINGS	18/11/30

Client/client

Veterans Affairs Canada / Anciens Combattants Canada

Project title/Titre du projet  
**ESQUIMALT, B.C.  
 VETERANS DRIVE  
 ESQUIMALT VETERANS  
 CEMETERY COLUMBARIA  
 PHASE 2**

Consultant Signature Box Only

Designed by/Concept par  
**LEES + ASSOCIATES**

Drawn by/Dessiné par  
**LEES + ASSOCIATES / DATE (2018.11.30)**

PSPC Project Manager/Administrateur de Projets TPSGC  
**Alena Mikulica**

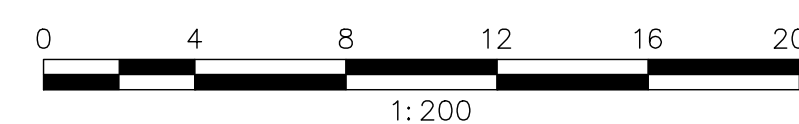
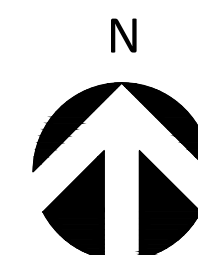
PSPC, Regional Manager, Architectural and Engineering Services/  
 Gestionnaire régionale, Services d'architectural et de génie, TPSGC

Drawing title/Titre du dessin  
**LOCATION PLAN**

Project No./No. du projet  
**R.102470.001.**

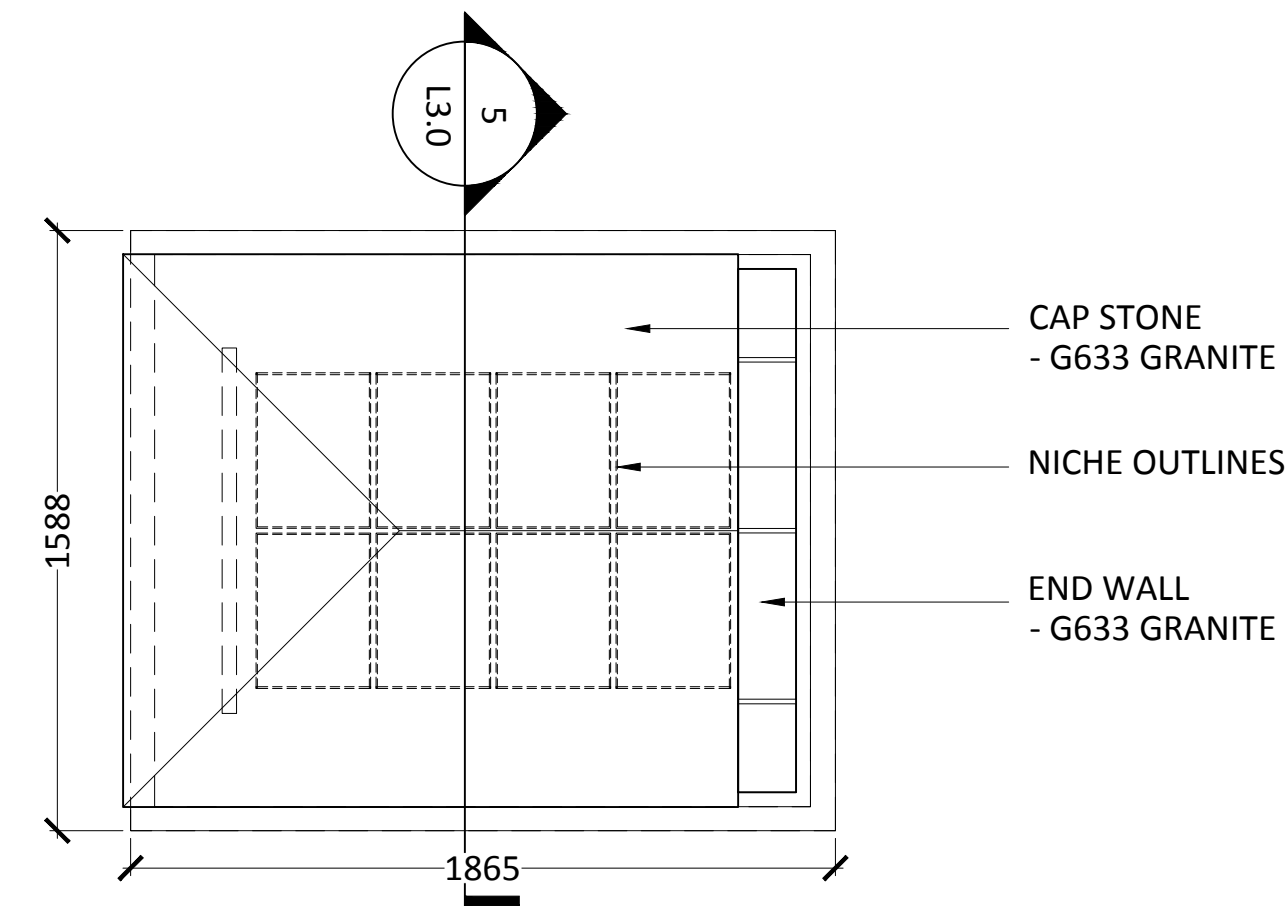
Sheet/Feuille  
**L2.0**  
**3 OF 12**

Revision no./La Révision no.  
**1**

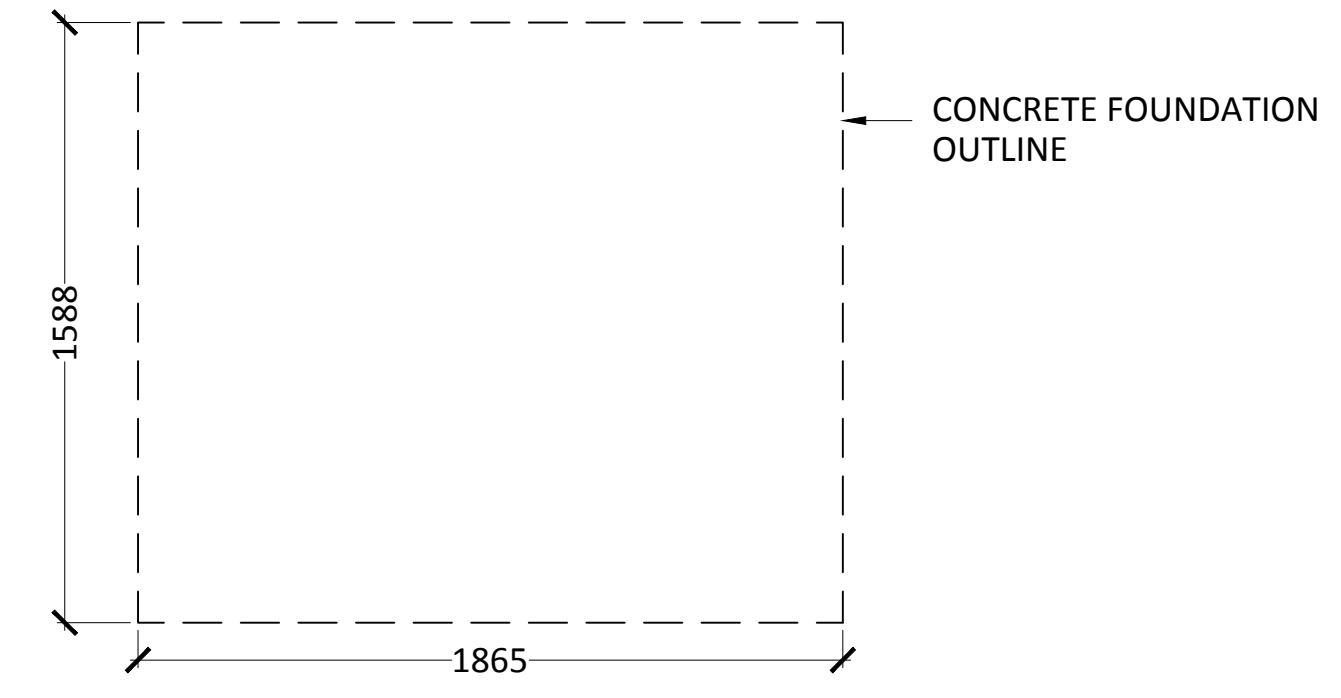


Z:\Active Clients\Public Works and Government Services Canada\18-238 Columbaria Tender&CA Phase 2\16\_CAD\Working Drawings\18-238\_EVC\_Exp\_L3.0 to L3.8\_Columbaria\_Details.dwg

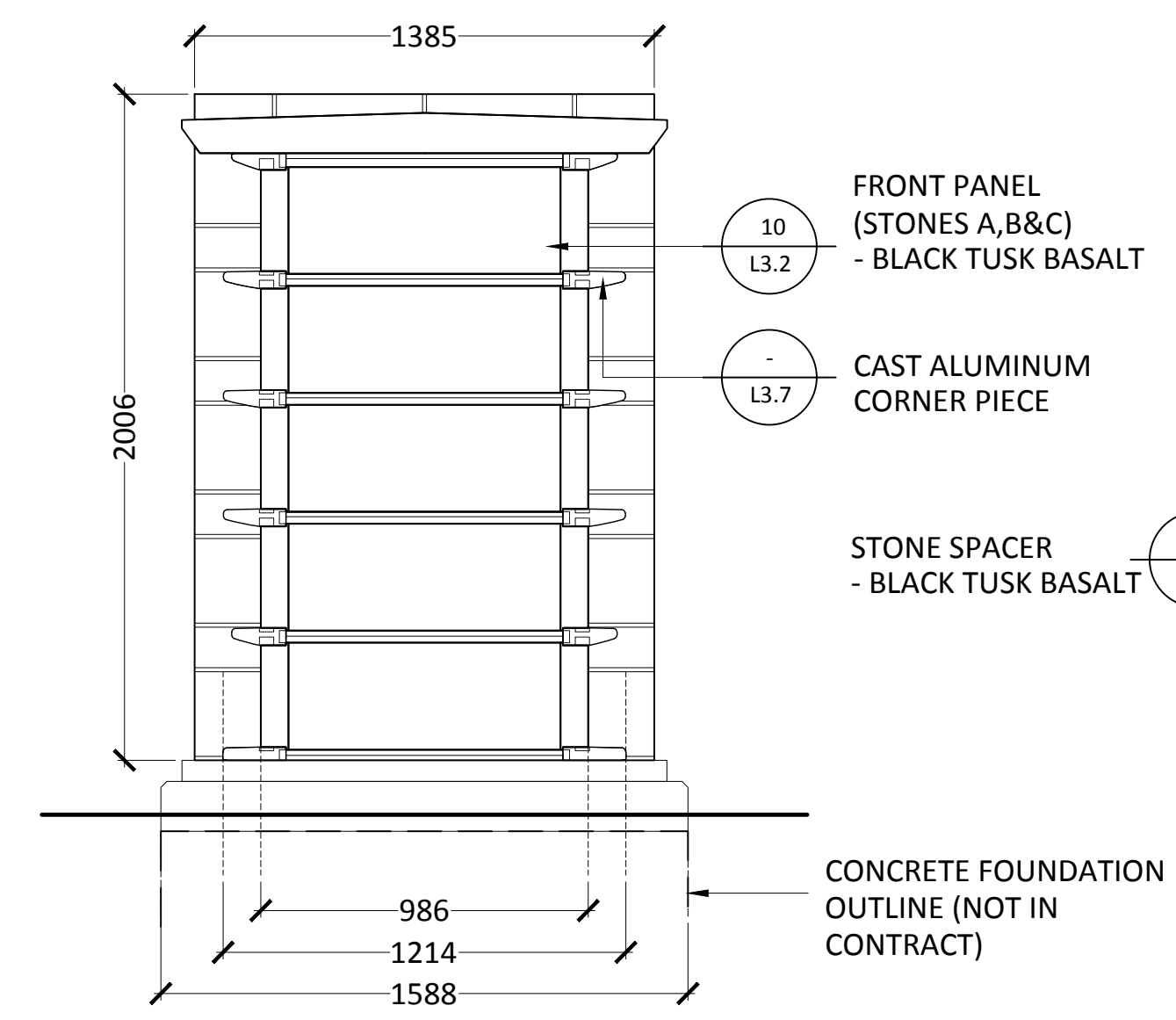
NOTE:  
SHUTTERS ARE TO SIT IN LEDGES  
WITHOUT THE USE OF ROSETTES



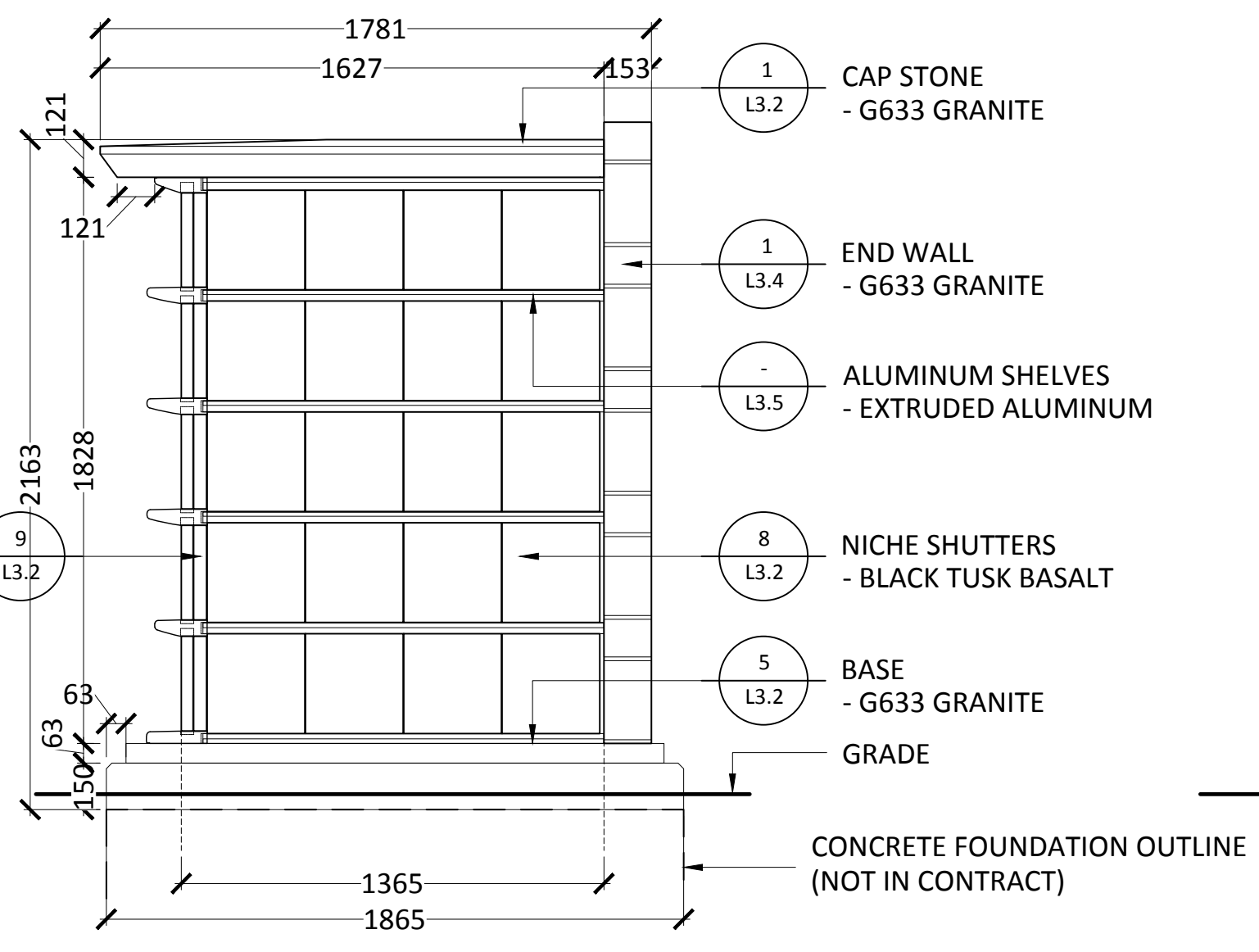
1A PLAN  
L3.0 SCALE: 1:20



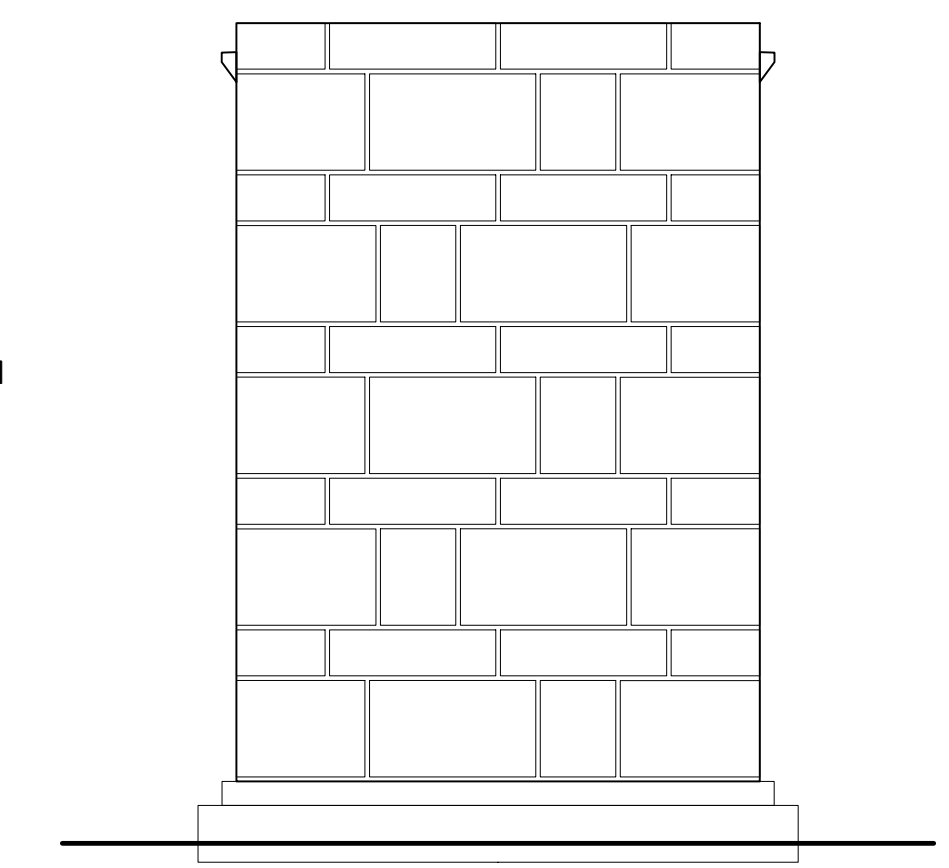
1B PLAN - FOUNDATION OUTLINE  
L3.0 SCALE: 1:20



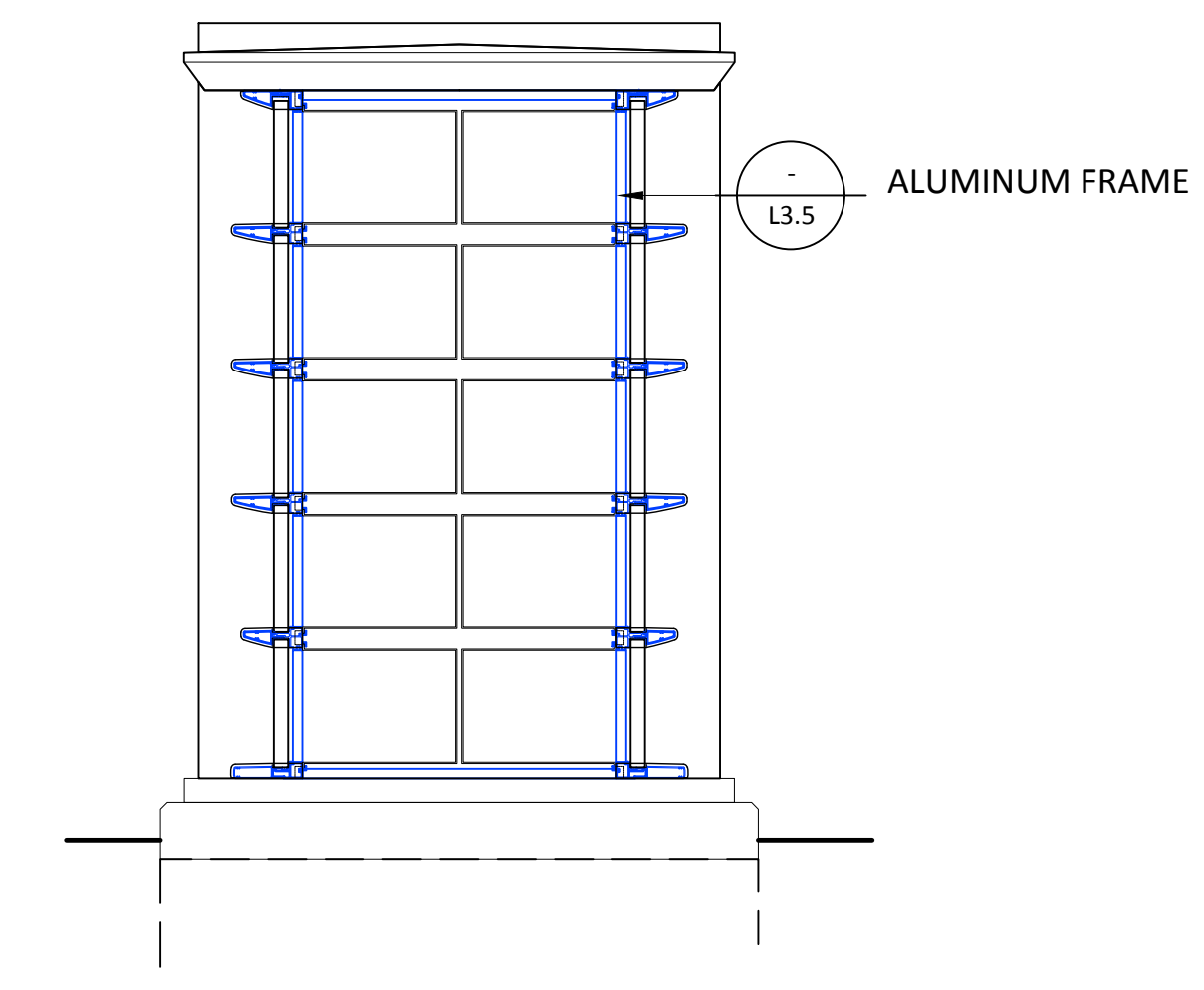
2 FRONT ELEVATION  
L3.0 SCALE: 1:20



3 NICHE WALL ELEVATION  
L3.0 SCALE: 1:20



4 END WALL ELEVATION  
L3.0 SCALE: 1:20



5 TYPICAL SECTION  
L3.0 SCALE: 1:20

Public Services and Procurement Canada / Travaux publics et Services gouvernementaux Canada

REAL PROPERTY SERVICES  
Pacific Region  
SERVICES IMMOBILIERS  
Région de Pacifique

NOV 3 0 2018

Revision/Revision	Description/Description	Date/Date
1	100% CONSTRUCTION DRAWINGS	18/11/30

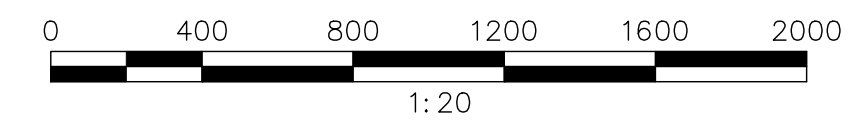
Client/client: Veterans Affairs Canada / Anciens Combattants Canada

Project title/Titre du projet: **ESQUIMALT, B.C. VETERANS DRIVE ESQUIMALT VETERANS CEMETERY COLUMBARIA PHASE 2**

Designed by/Concept par: **LEES + ASSOCIATES**  
 Drawn by/Dessiné par: **LEES + ASSOCIATES / DATE (2018.11.30)**  
 PSPC Project Manager/Administrateur de Projets TPSGC: **Alena Mikulica**  
 PSPC Regional Manager, Architectural and Engineering Services/Gestionnaire régionale, Services d'architectural et de génie, TPSGC

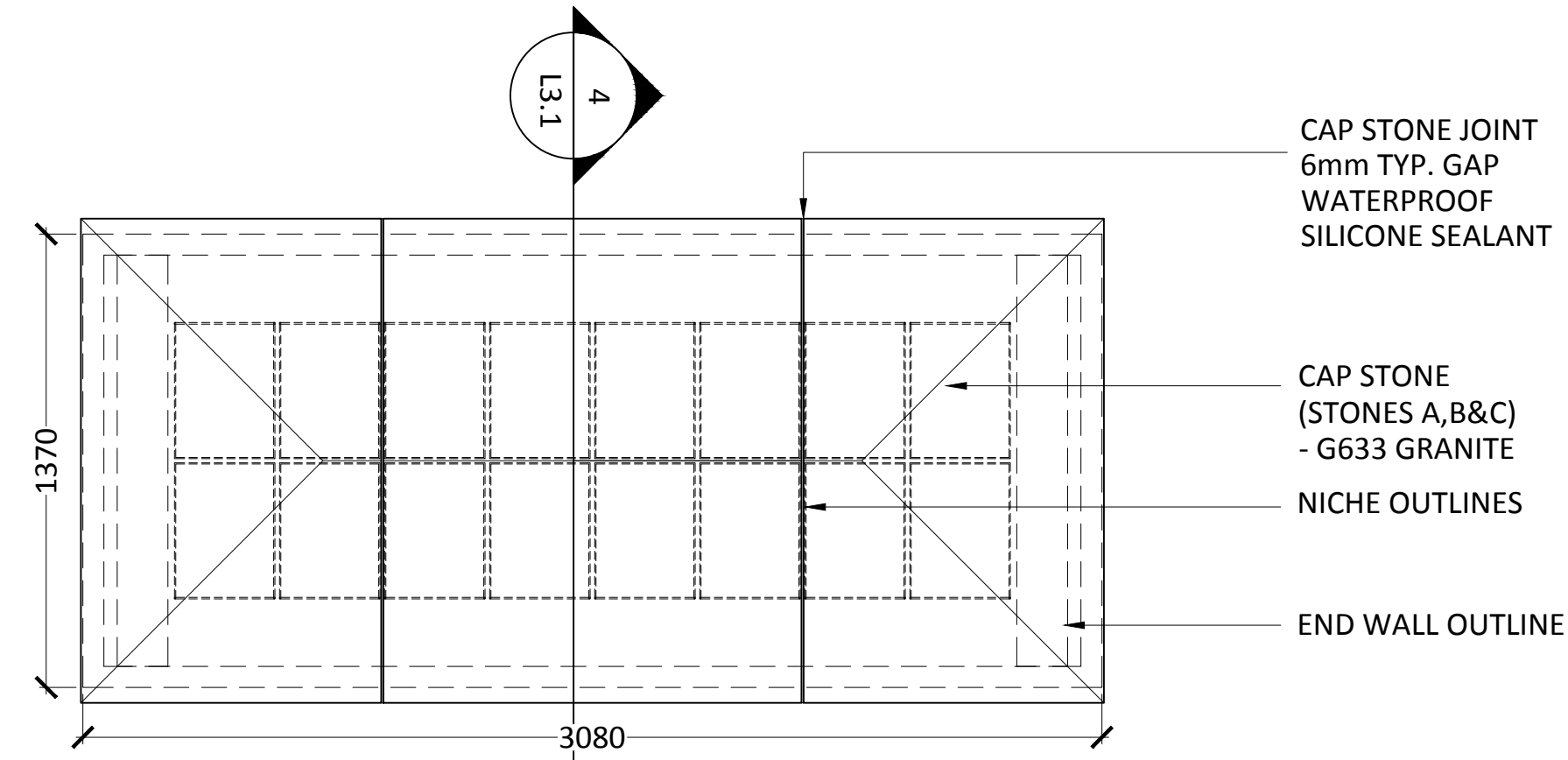
Drawing title/Titre du dessin: **CONSTRUCTION DETAILS 40 NICHE COLUMBARIA LAYOUT**

Project No./No. du projet: **R.102470.001.** Sheet/Feuille: **L3.0** Revision no./La Révision no.: **1**  
**4 OF 12**

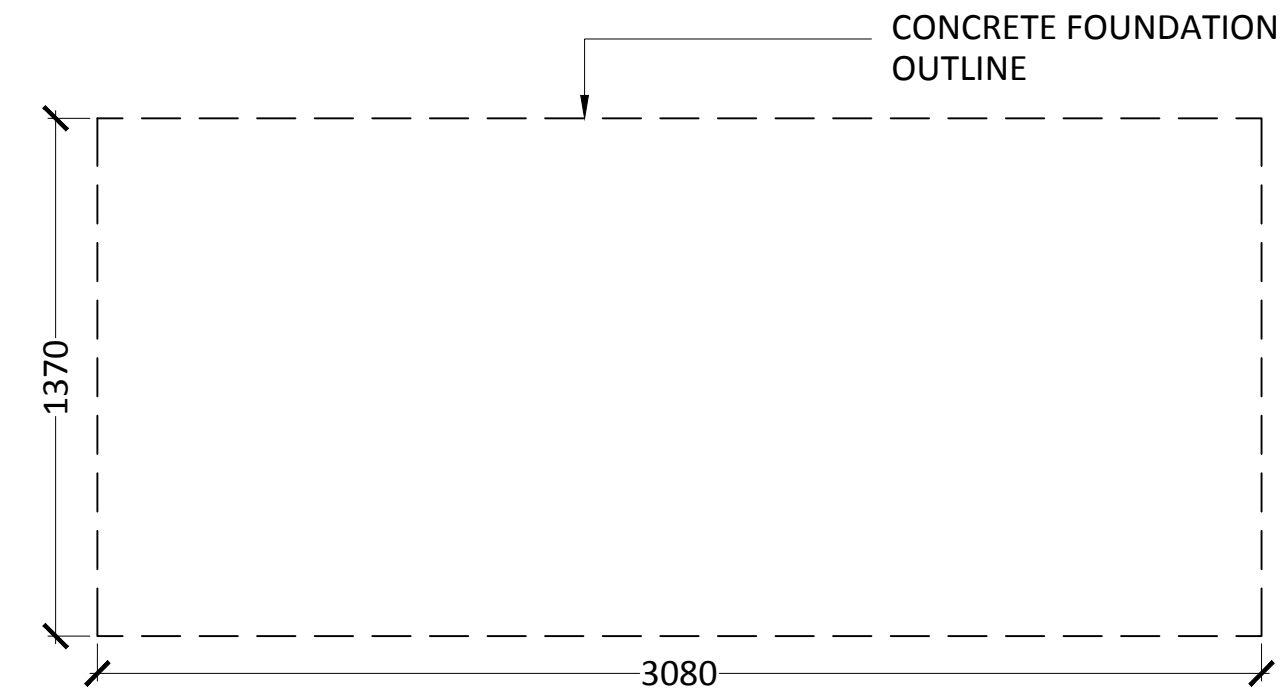


Z:\Active Clients\Public Works and Government Services Canada\18-238 Columbaria Tender&CA Phase 2\16\_CAD\Working Drawings\18-238\_EVC\_Exp\_L3.0 to L3.8\_Columbaria\_Details.dwg

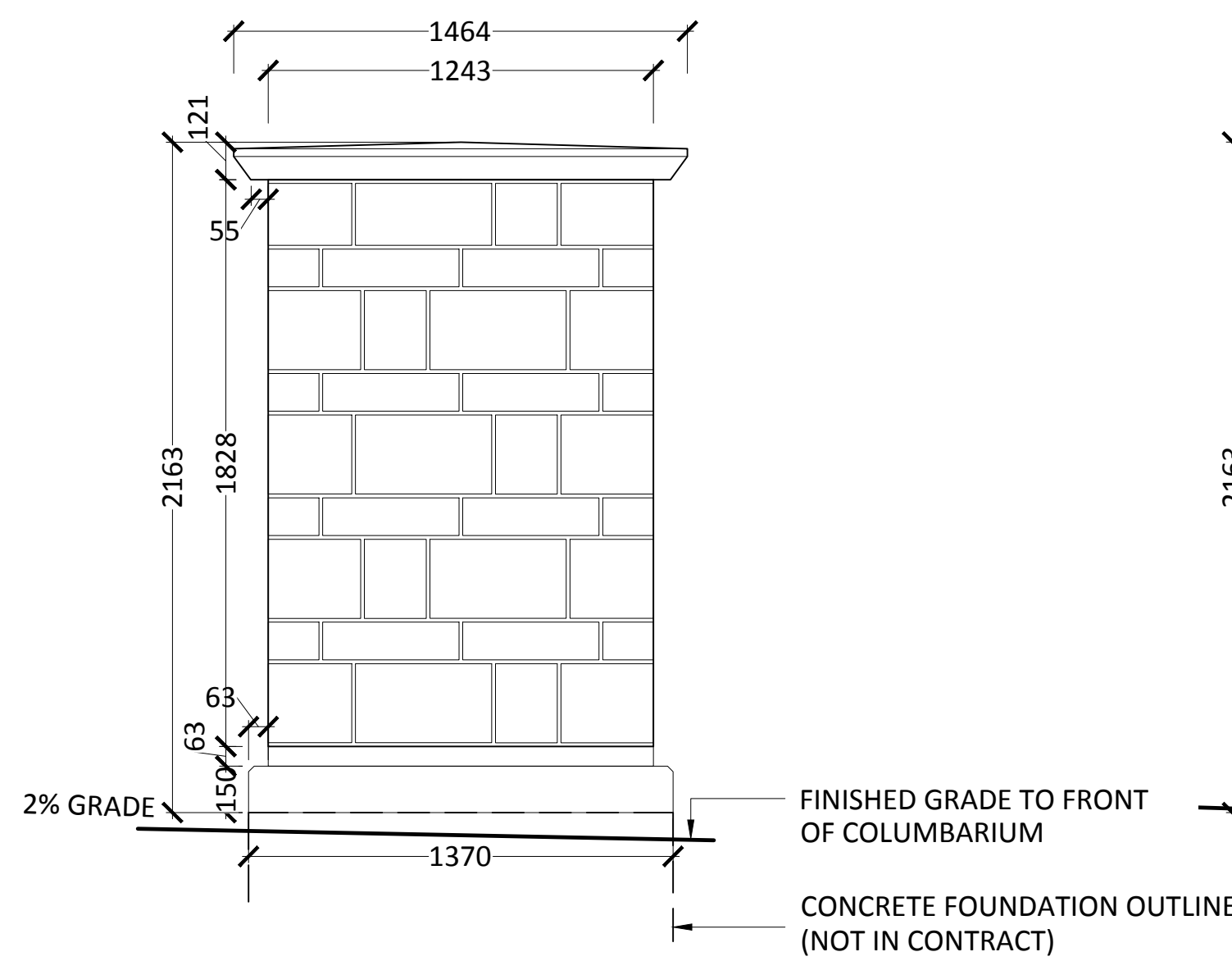
NOTE:  
SHUTTERS ARE TO SIT IN LEDGES  
WITHOUT THE USE OF ROSETTES



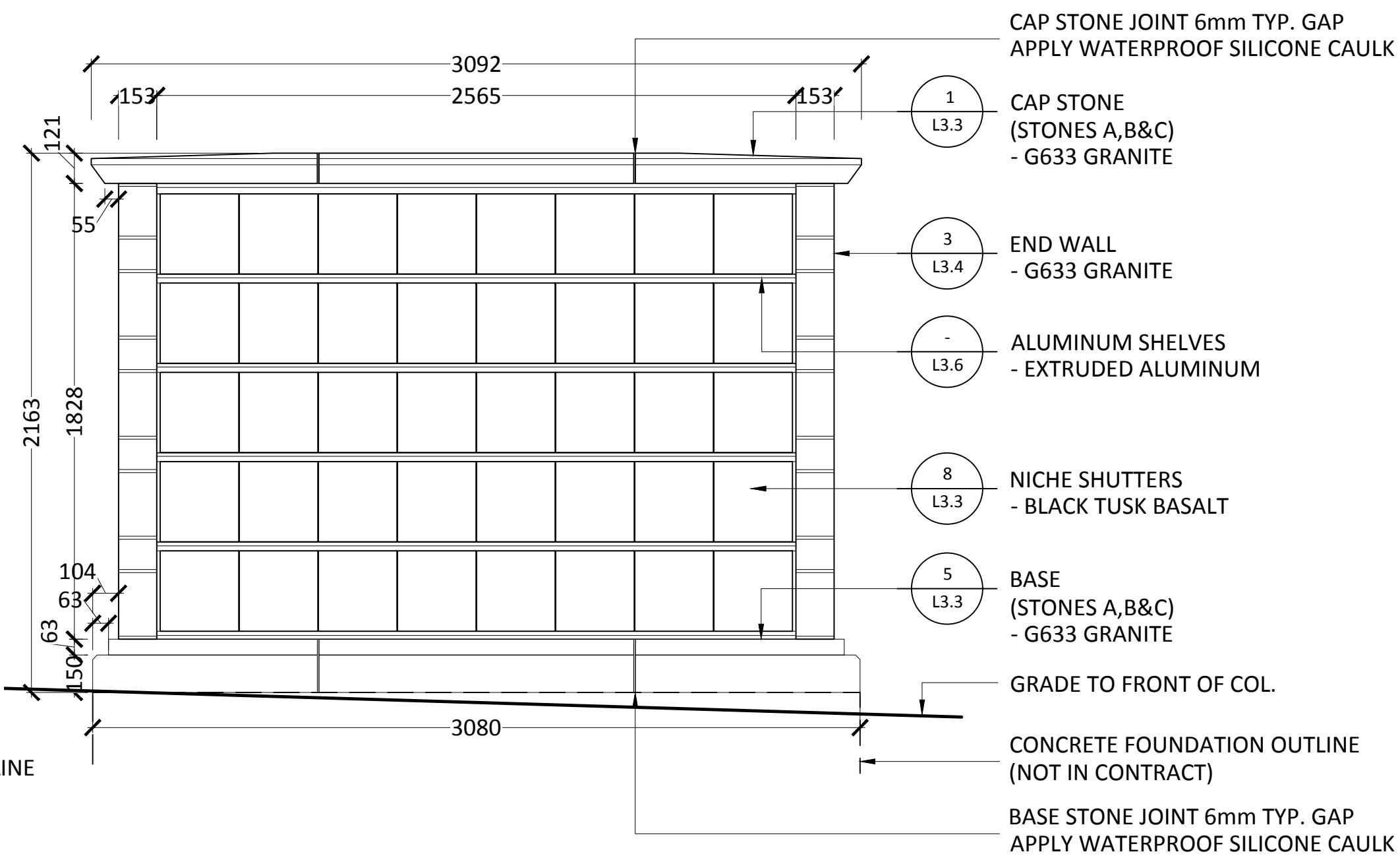
1A 80 NICHE COLUMBARIA - PLAN  
L3.1 SCALE: 1:20



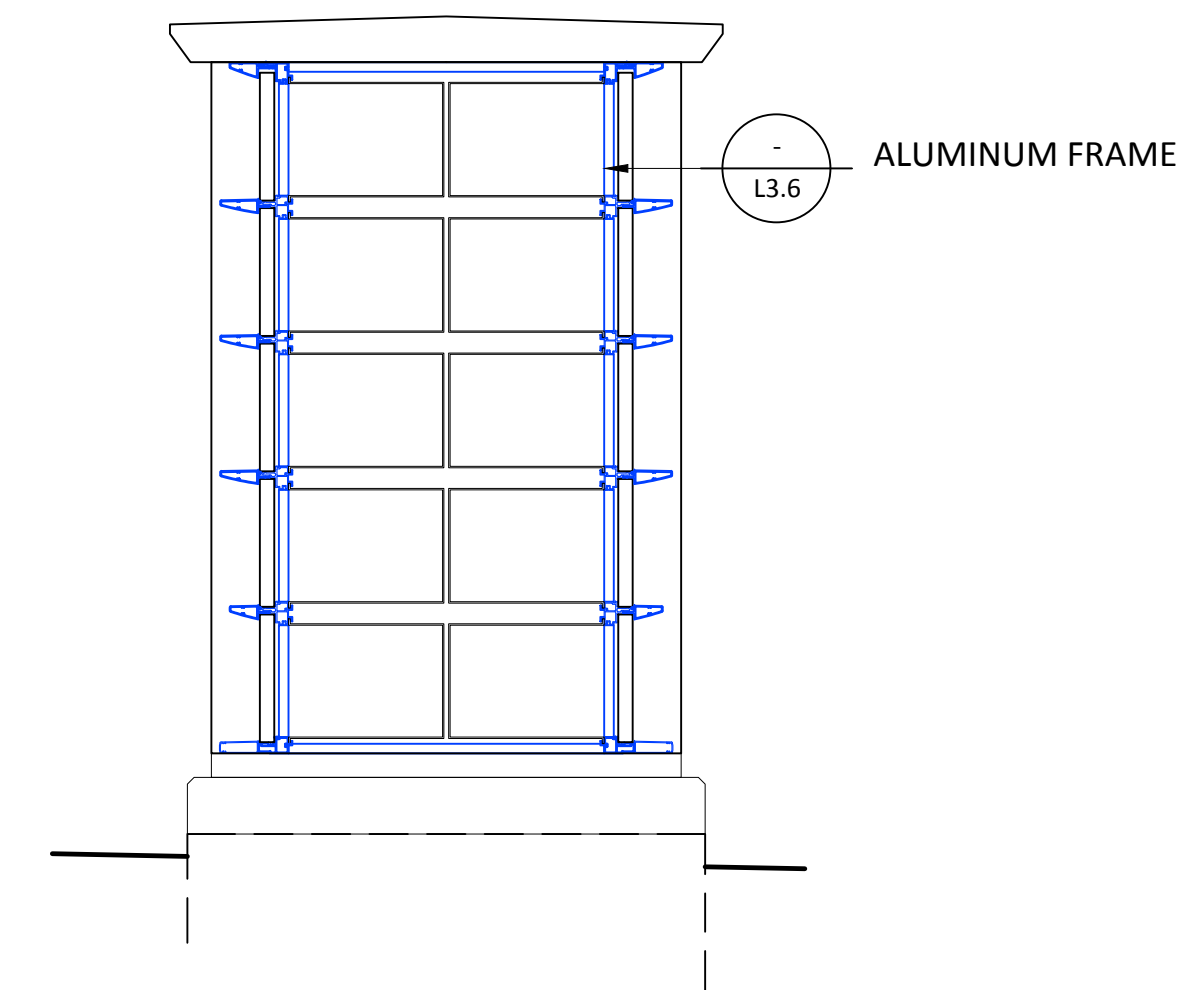
1B PLAN - FOUNDATION OUTLINE  
L3.0 SCALE: 1:20



2 80 NICHE COLUMBARIUM - END ELEVATION  
L3.1 SCALE: 1:20



3 80 NICHE COLUMBARIUM - NICHE WALL ELEVATION  
L3.1 SCALE: 1:20



4 80 NICHE COLUMBARIUM - TYPICAL SECTION  
L3.1 SCALE: 1:20



NOV 3 0 2018

Revision/Revision	Description/Description	Date/Date
1	100% CONSTRUCTION DRAWINGS	18/11/30

Client/client  
Veterans Affairs Canada / Anciens Combattants Canada

Project title/Titre du projet  
**ESQUIMALT, B.C.  
VETERANS DRIVE  
ESQUIMALT VETERANS  
CEMETERY COLUMBARIA  
PHASE 2**

Designed by/Concept par  
**LEES + ASSOCIATES**

Drawn by/Dessiné par  
**LEES + ASSOCIATES / DATE (2018.11.30)**  
**Alena Mikulica**  
PSPC Project Manager/Administrateur de Projets TPSGC

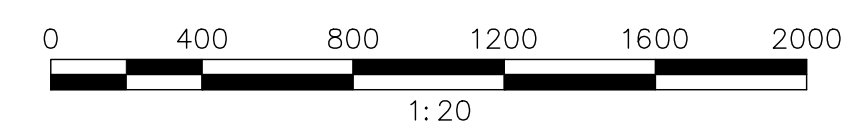
PSPC Regional Manager, Architectural and Engineering Services/  
Gestionnaire régionale, Services d'architectural et de génie, TPSGC

Drawing title/Titre du dessin  
**CONSTRUCTION DETAILS  
80 NICHE COLUMBARIA  
LAYOUT**

Project No./No. du projet  
**R.102470.001.**

Sheet/Feuille  
**L3.1**

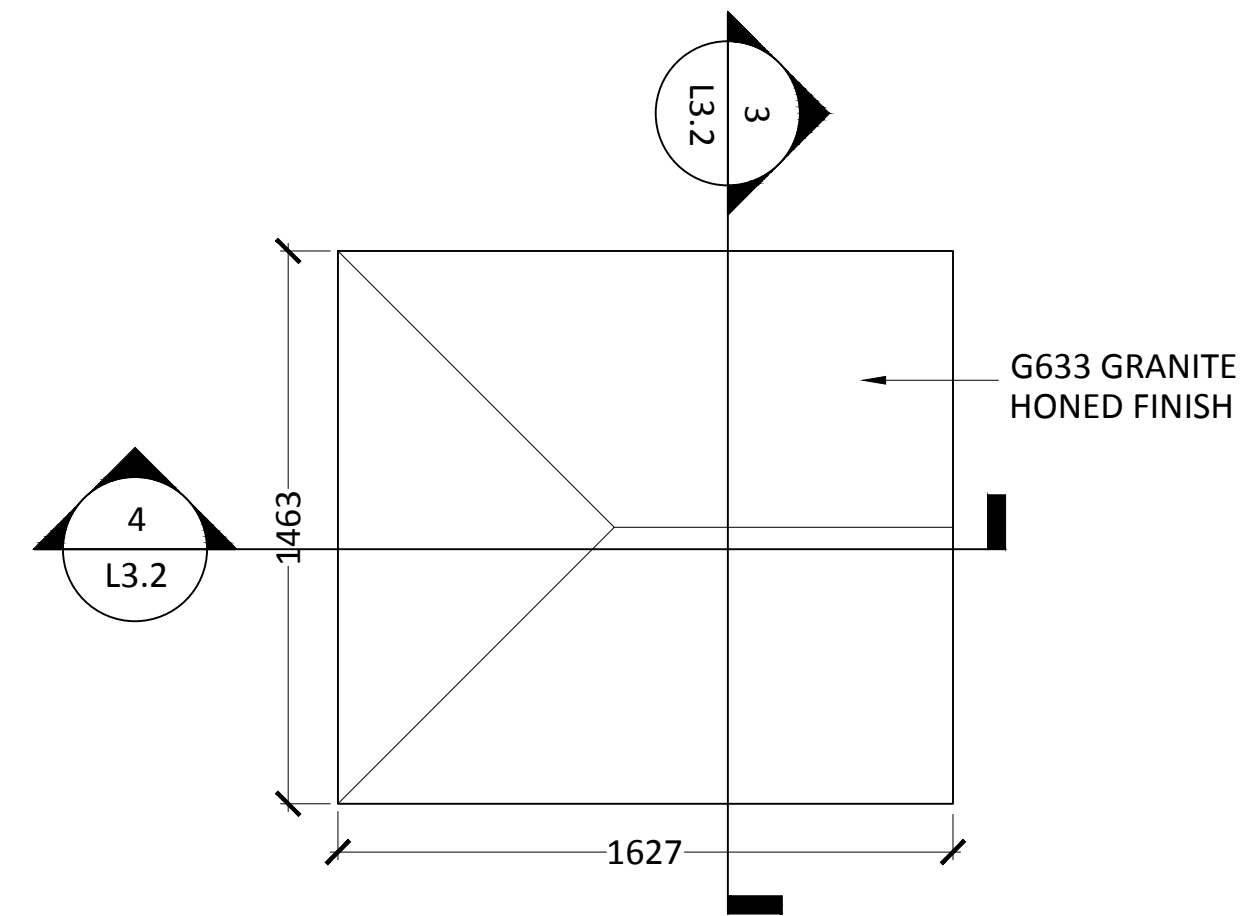
Revision no./La Révision no.  
**1**



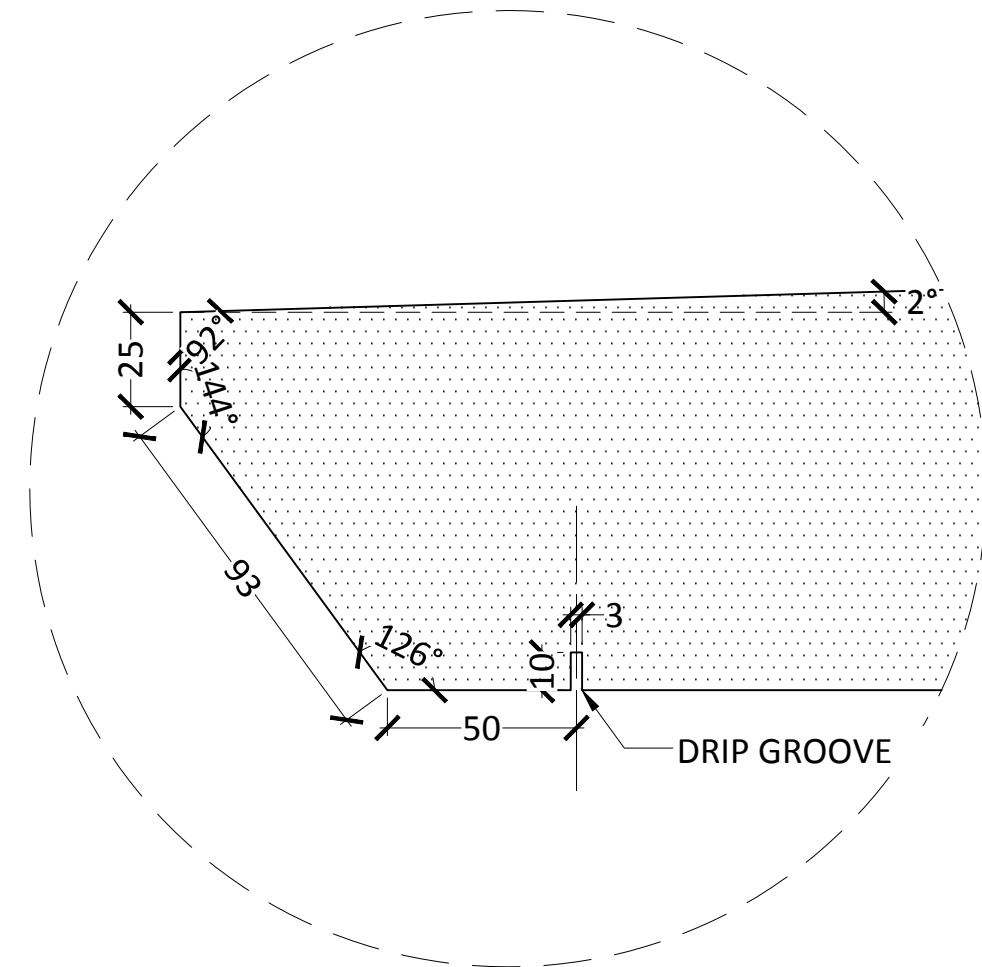
Z:\Active Clients\Public Works and Government Services Canada\18-238 Columbia Tender&CA Phase 2\16\_CAD\Working Drawings\18-238\_EVC\_Exp\_L3.0 to L3.8\_Columbia\_Details.dwg



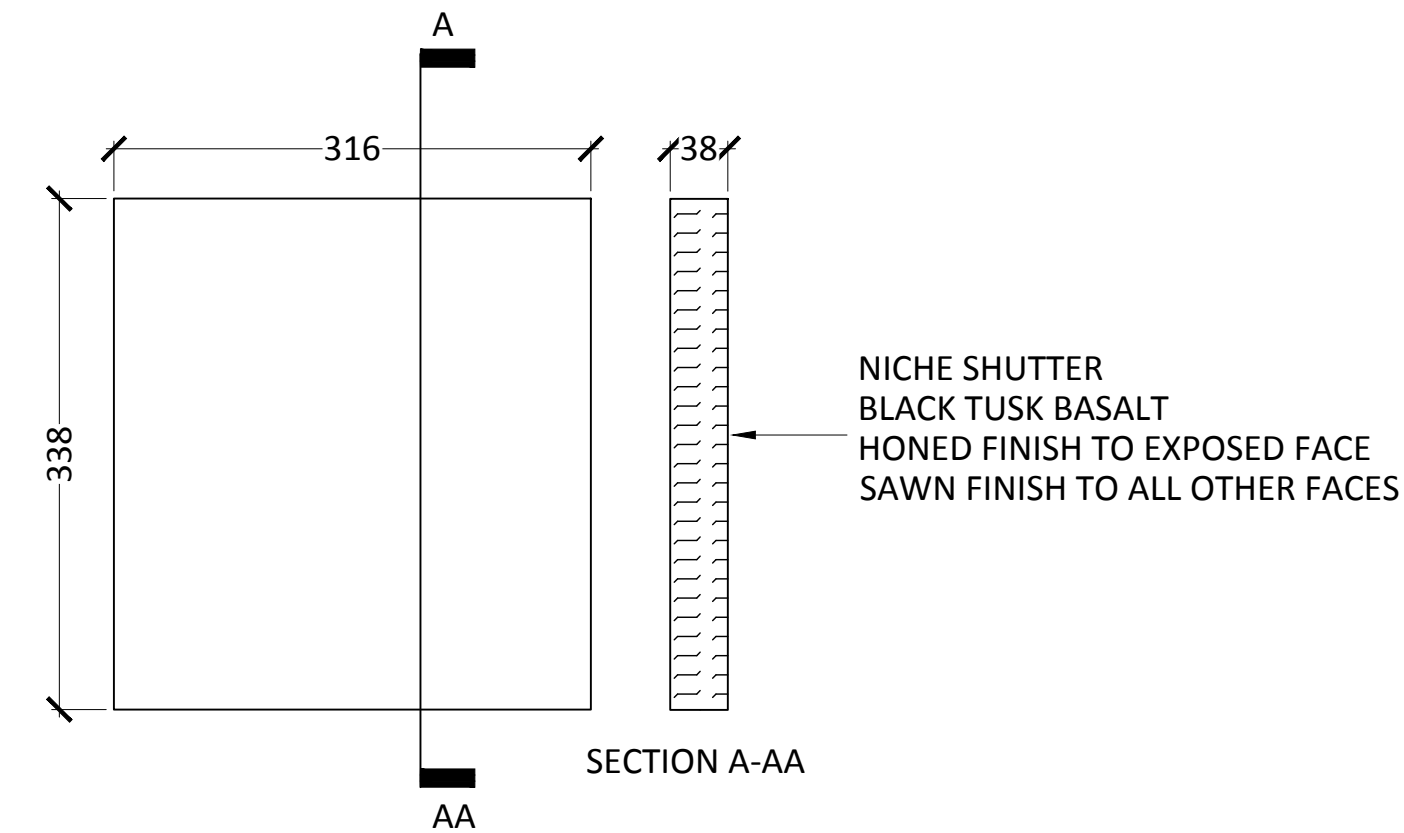
NOV 3 0 2018



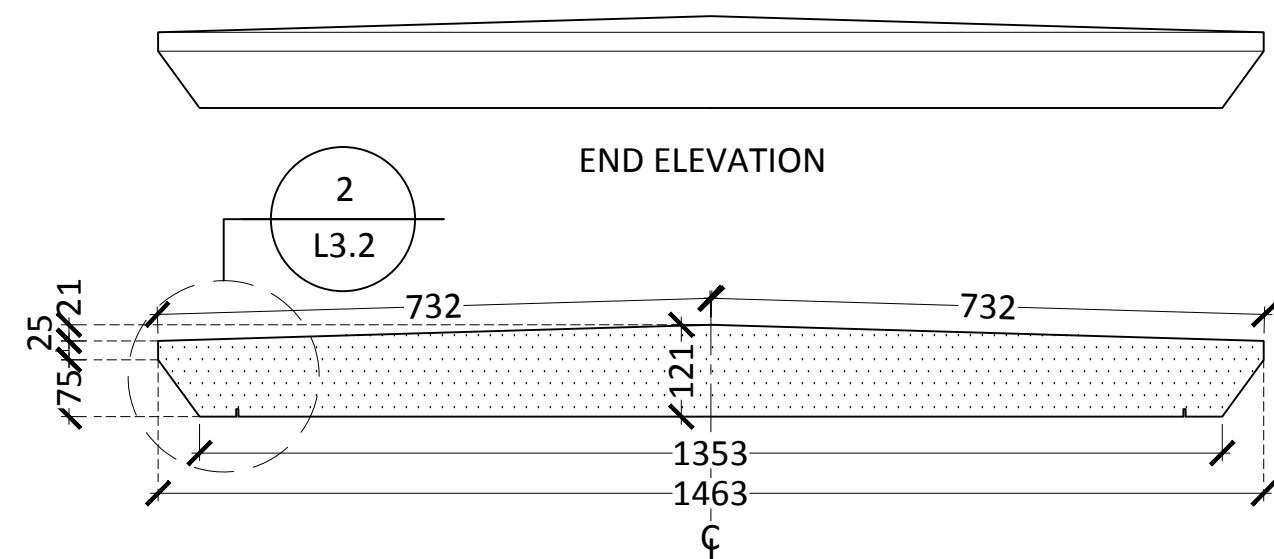
1 CAP - PLAN  
L3.2 SCALE: 1:20



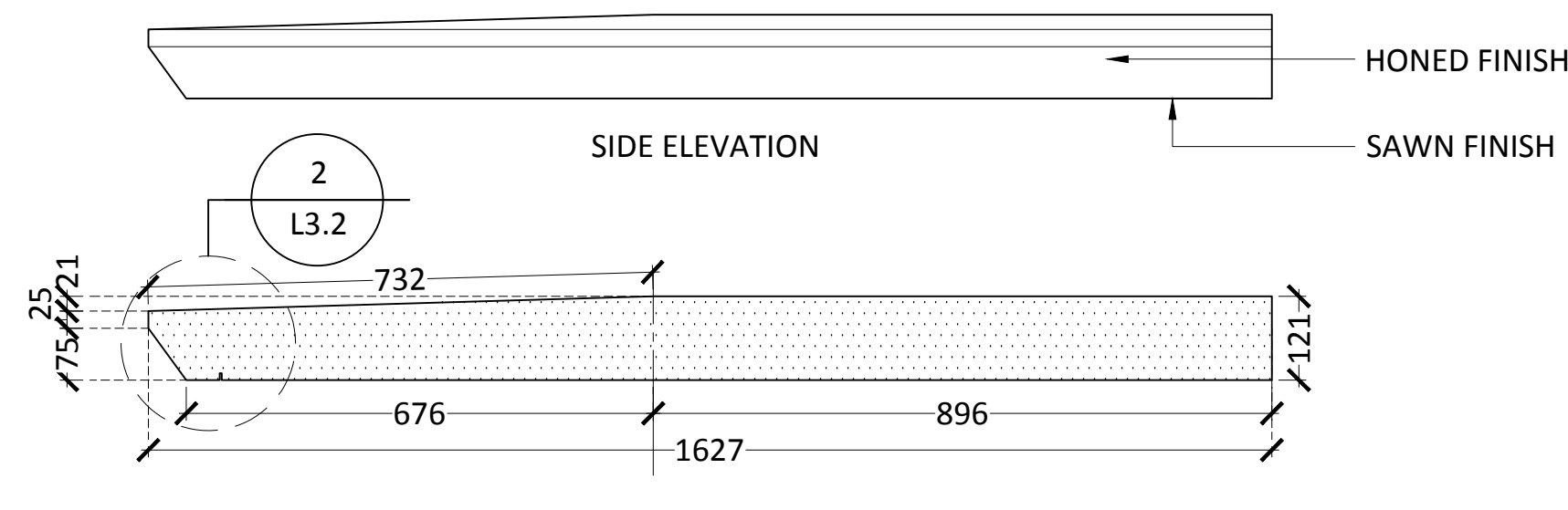
2 CAP SECTION DETAIL  
L3.2 SCALE: 1:2



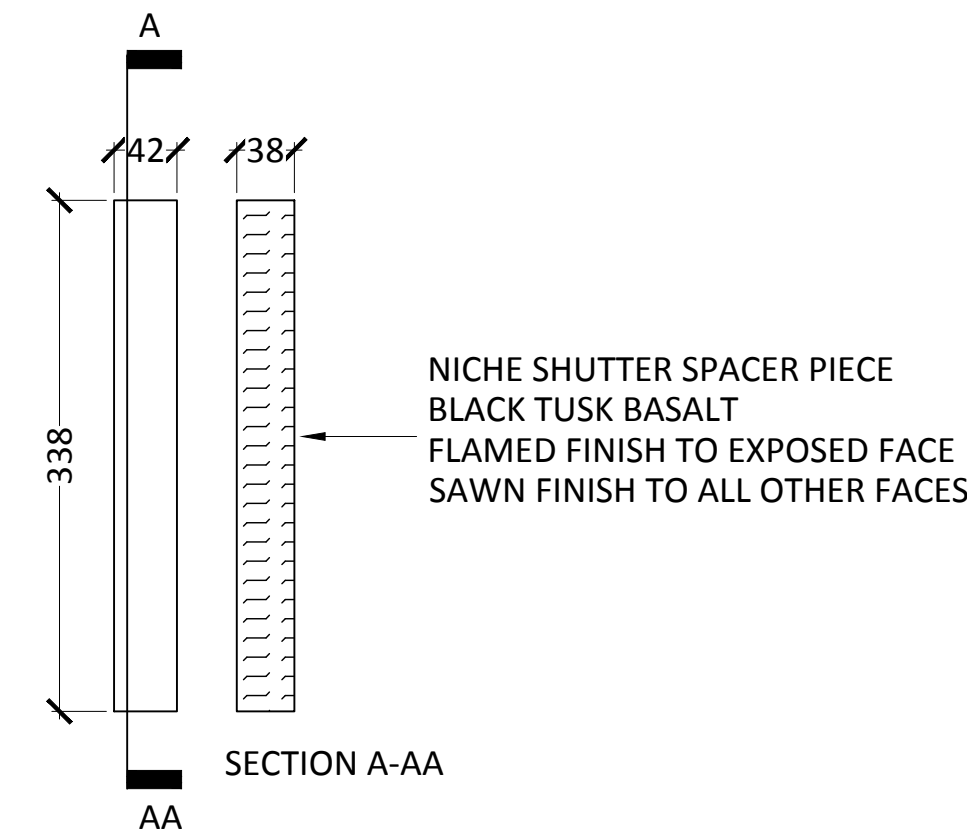
8 NICHE SHUTTER  
L3.2 SCALE: 1:5



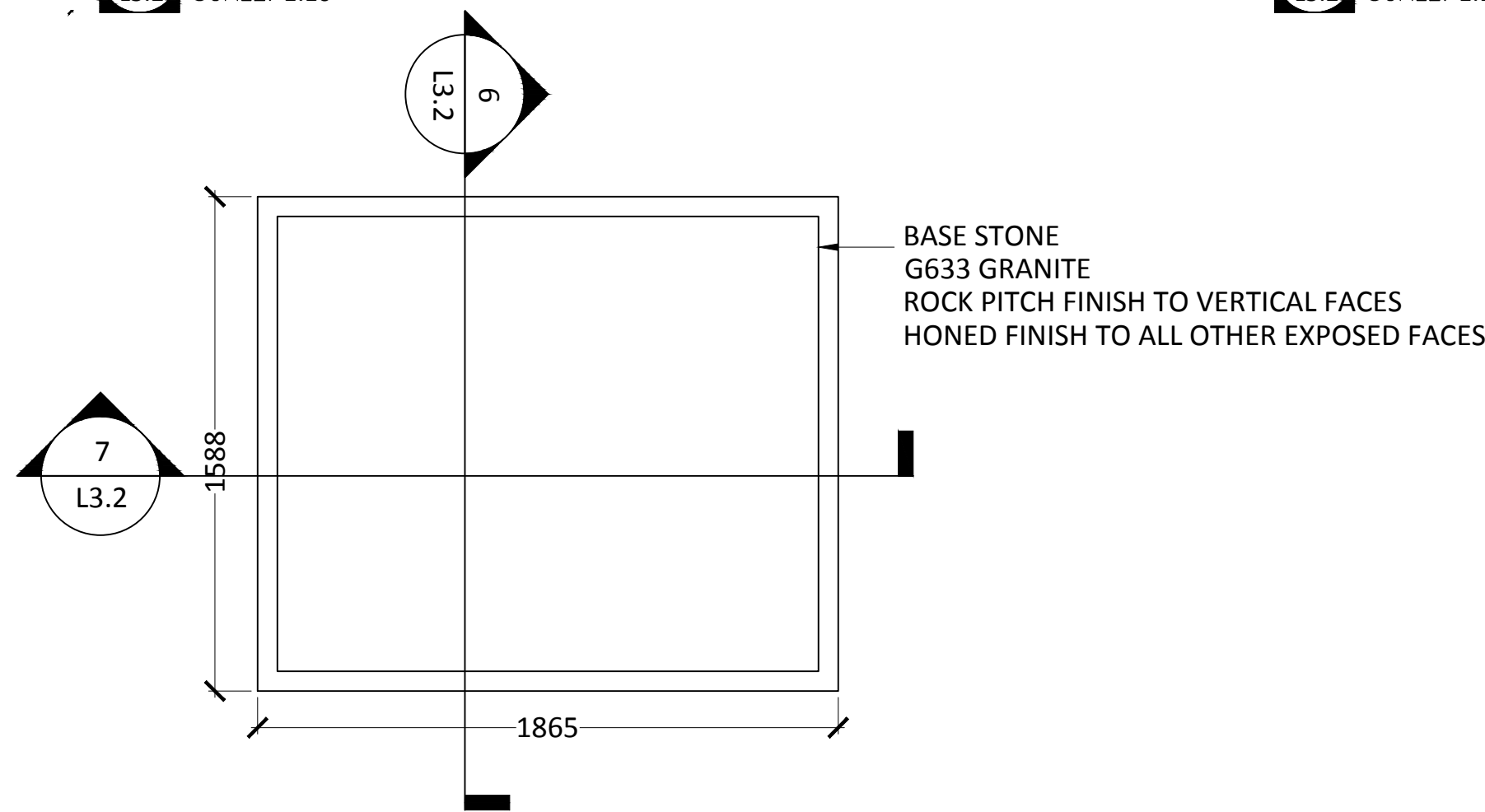
3 CAP - SECTION  
L3.2 SCALE: 1:10



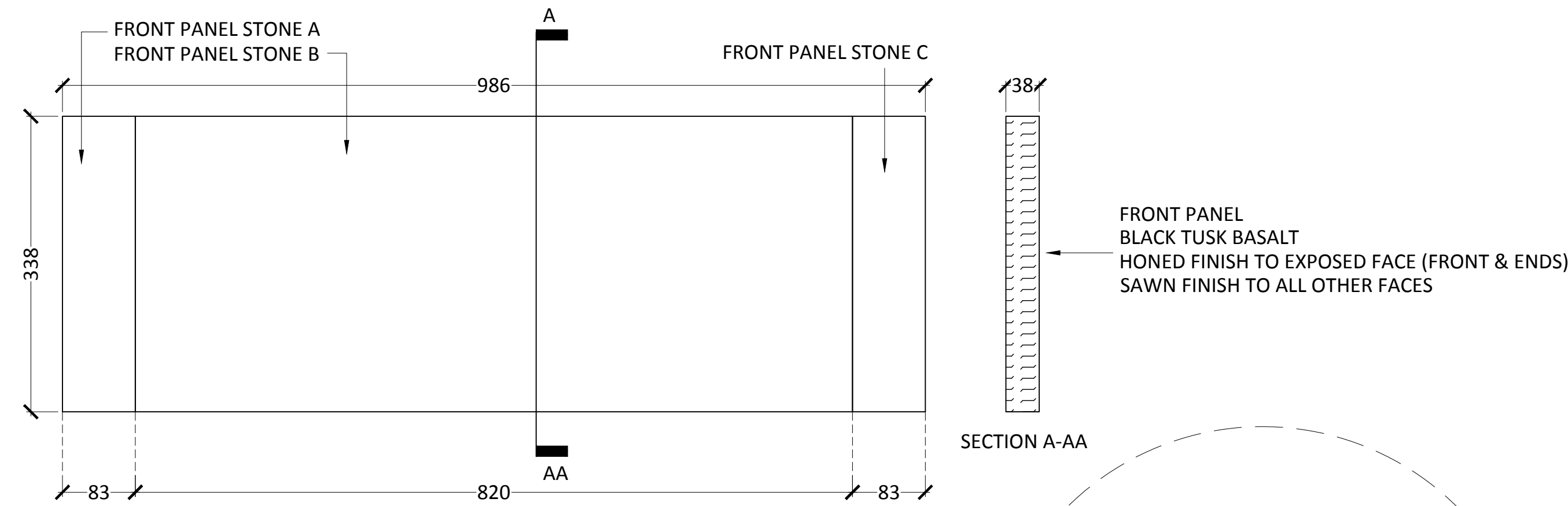
4 CAP - SECTION  
L3.2 SCALE: 1:10



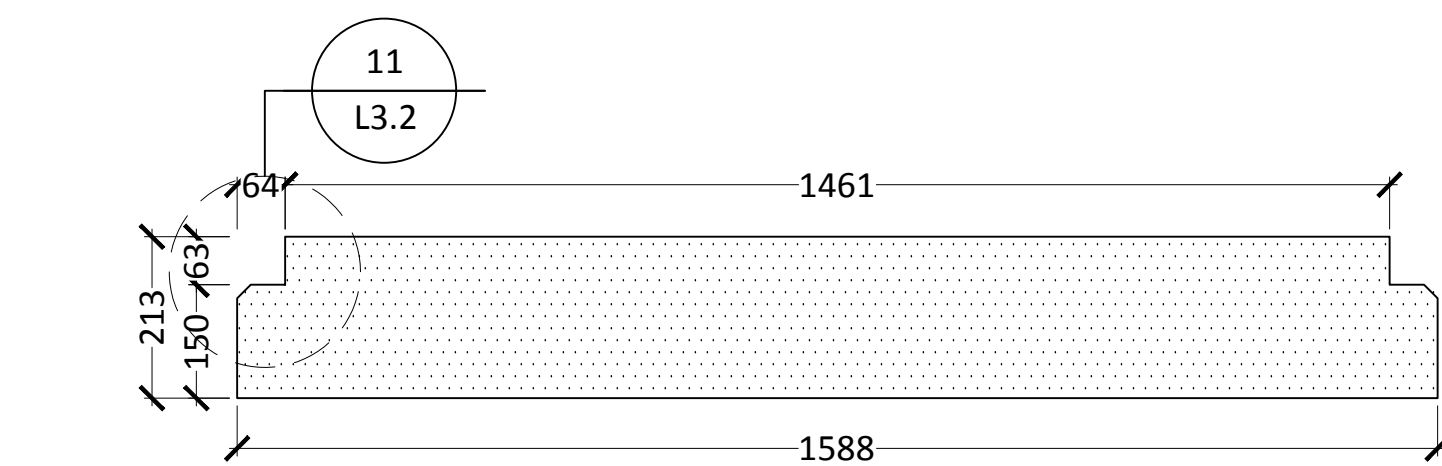
9 NICHE SHUTTER SPACER PIECE  
L3.2 SCALE: 1:5



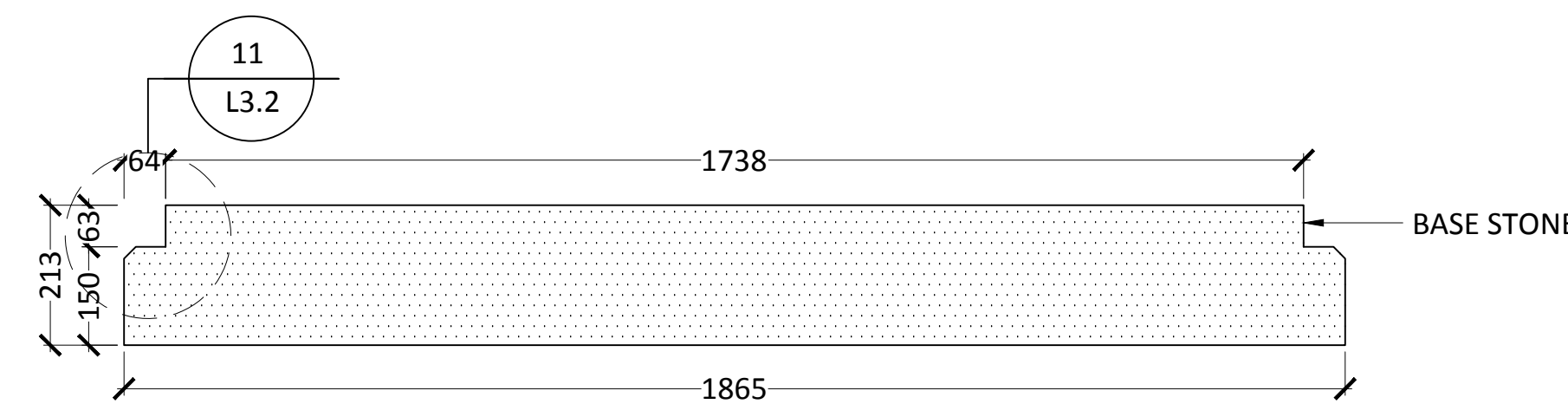
5 BASE - PLAN  
L3.2 SCALE: 1:20



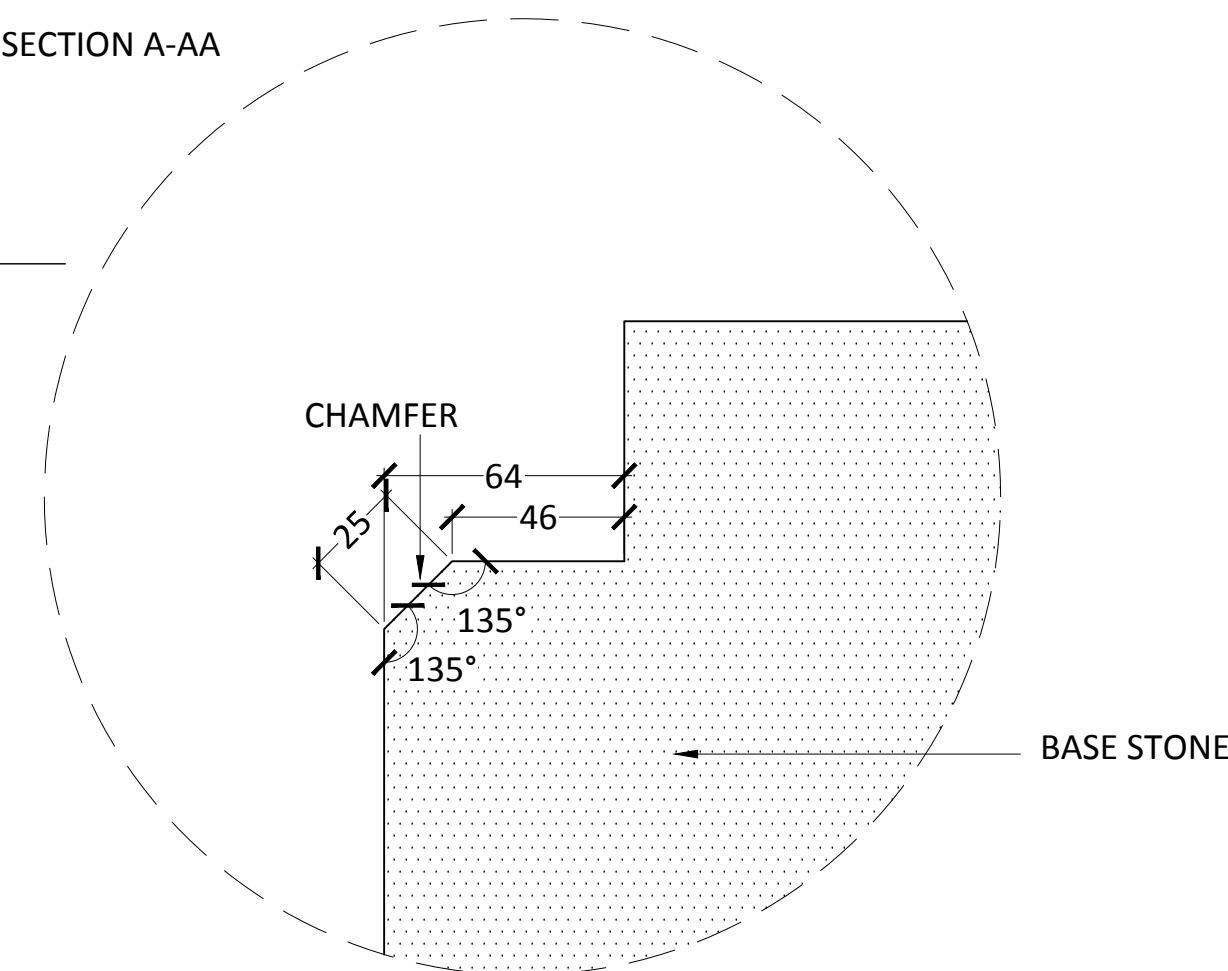
10 FRONT PANEL  
L3.2 SCALE: 1:5



6 BASE - SECTION  
L3.2 SCALE: 1:10



7 BASE - SECTION  
L3.2 SCALE: 1:10



11 BASE - SECTION DETAIL  
L3.2 SCALE: 1:10

Revision/Revision	Description/Description	Date/Date
1	100% CONSTRUCTION DRAWINGS	18/11/30

Client/client: Veterans Affairs Canada / Anciens Combattants Canada

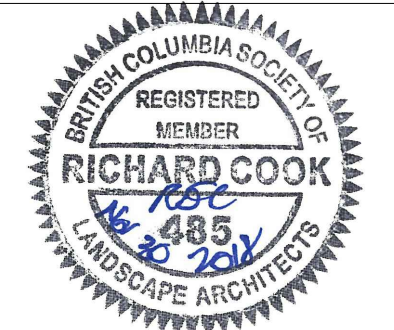
Project title/Titre du projet: ESQUIMALT, B.C. VETERANS DRIVE ESQUIMALT VETERANS CEMETERY COLUMBARIA PHASE 2

Designed by/Concept par: LEES + ASSOCIATES  
 Drawn by/Dessiné par: LEES + ASSOCIATES / DATE (2018.11.30)  
 PSPC Project Manager/Administrateur de Projets TPSGC: Alena Mikulica  
 PSPC Regional Manager, Architectural and Engineering Services/Gestionnaire régionale, Services d'architectural et de génie, TPSGC

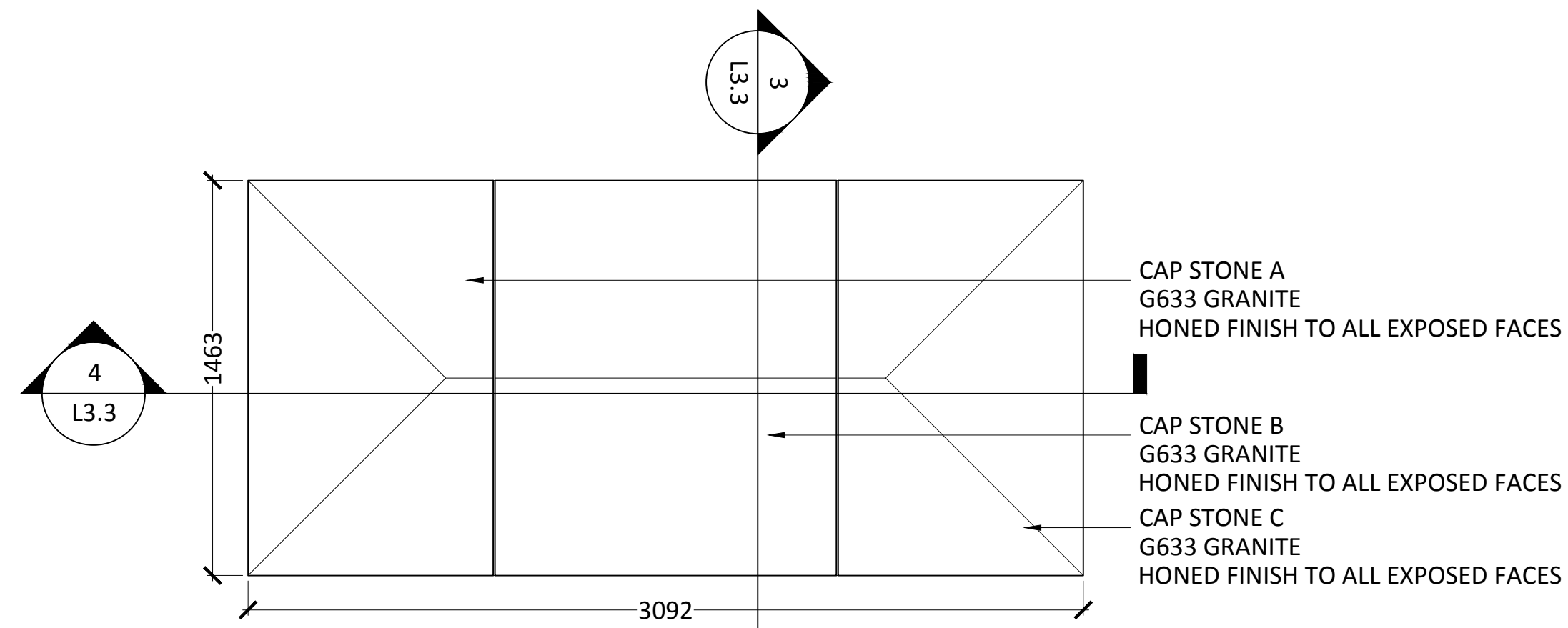
Drawing title/Titre du dessin: CONSTRUCTION DETAILS 40 NICHE COLUMBARIA STONE ELEMENTS

Project No./No. du projet: R.102470.001  
 Sheet/Fauille: L3.2  
 Revision no./La Révision no.: 1  
 6 OF 12

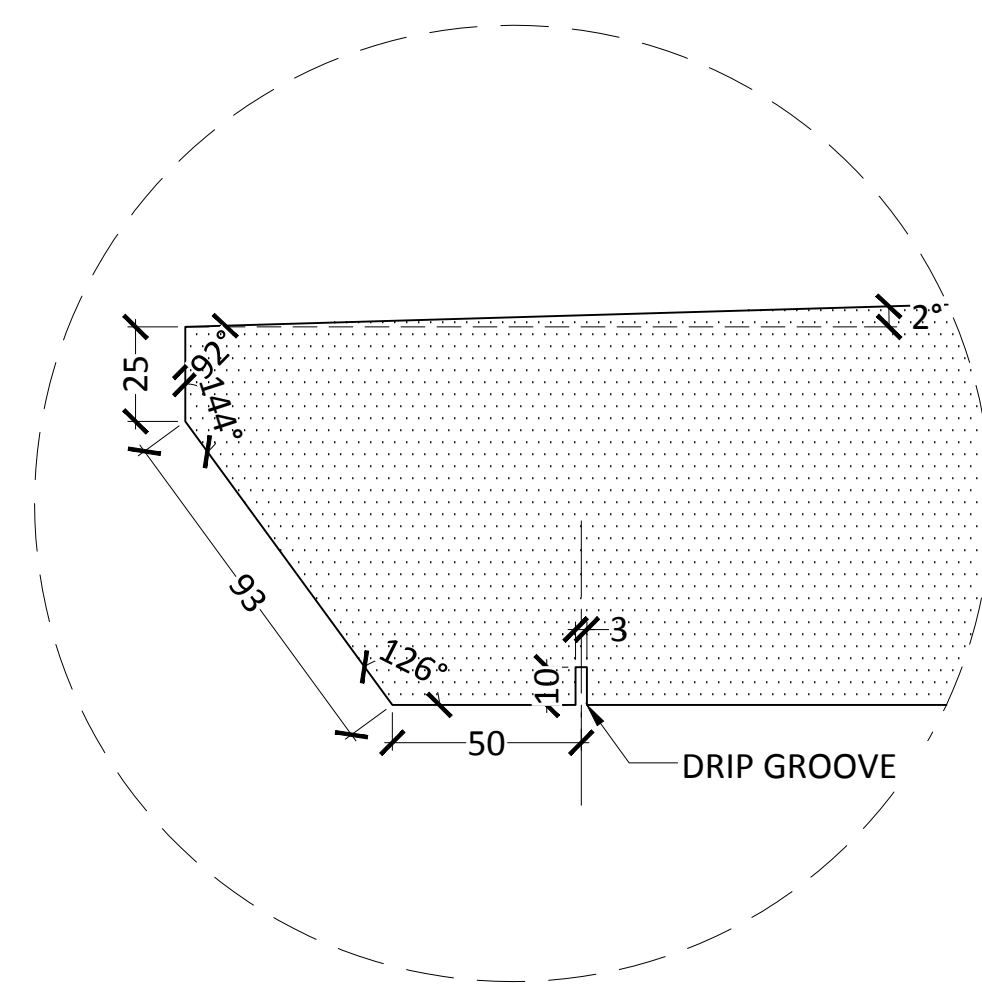
Z:\Active Clients\Public Works and Government Services Canada\18-238 Columbia Tender&CA Phase 2\6\_CAD\Working Drawings\18-238\_EVC\_Exp\_L30 to L38\_Columbia\_Details.dwg



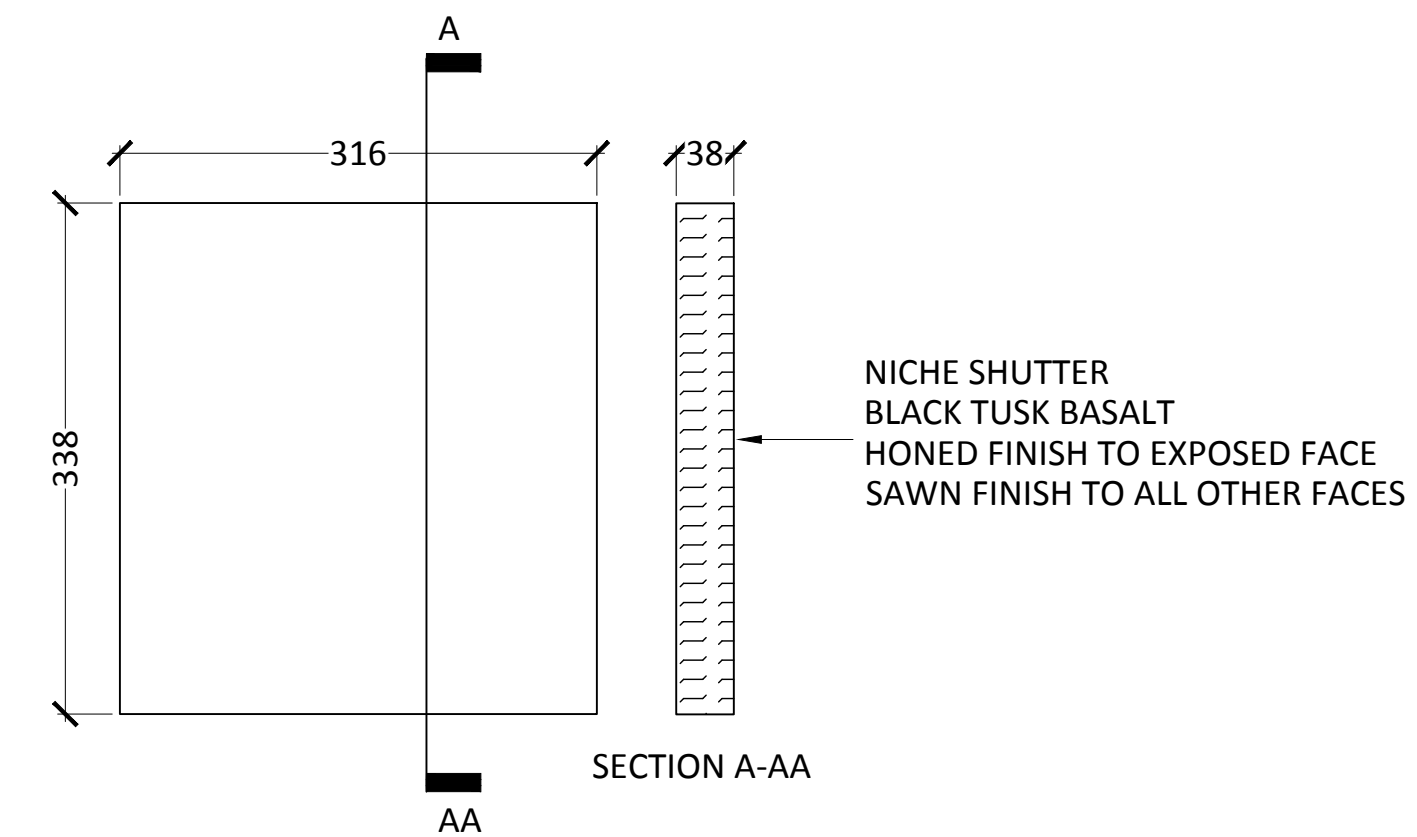
NOV 3 0 2018



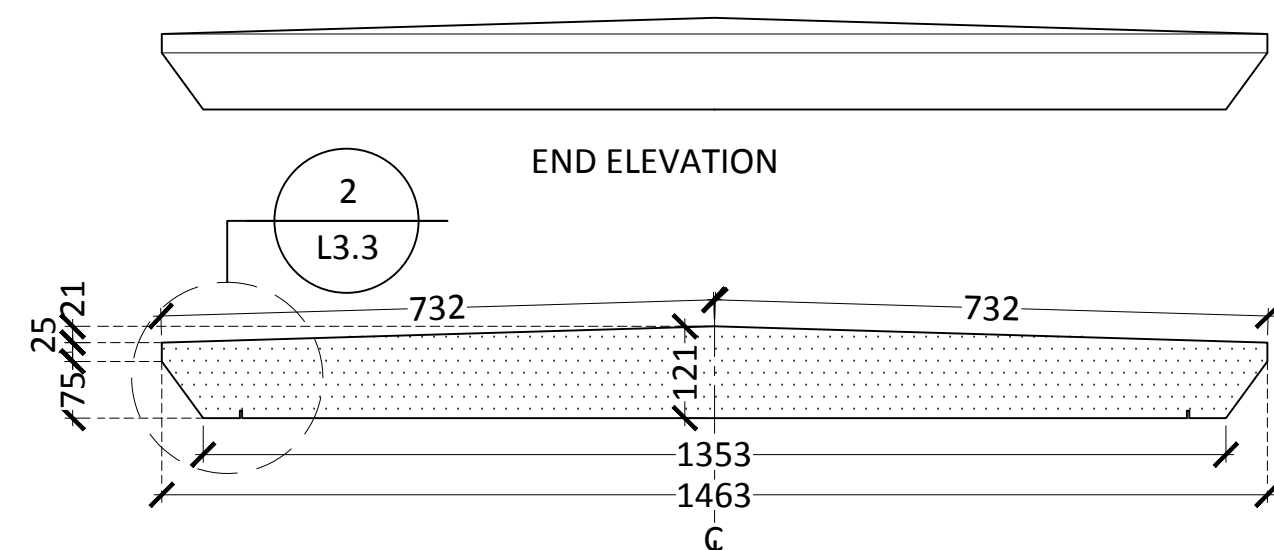
1 CAP - PLAN  
L3.3 SCALE: 1:20



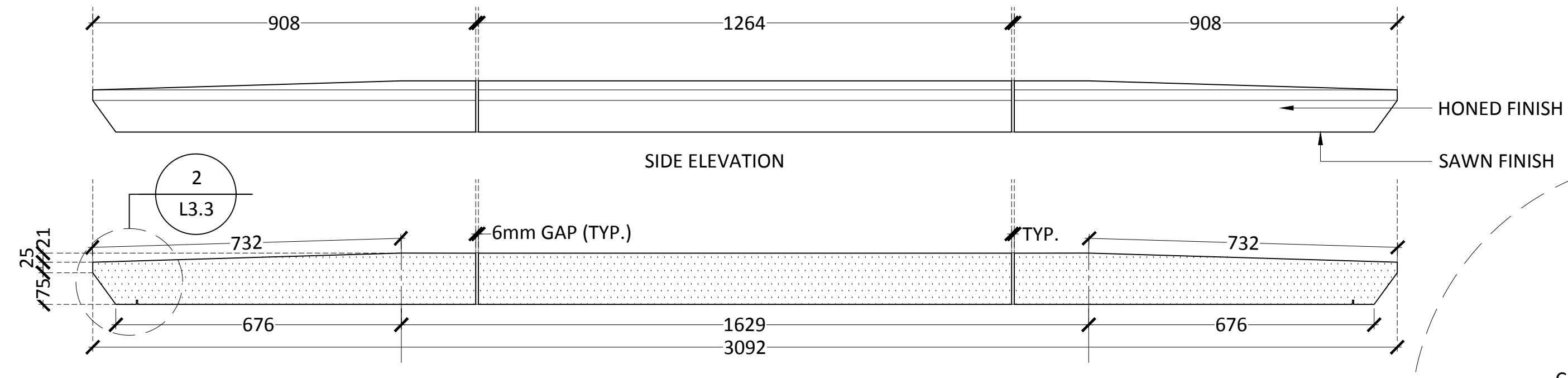
2 CAP SECTION DETAIL  
L3.3 SCALE: 1:2



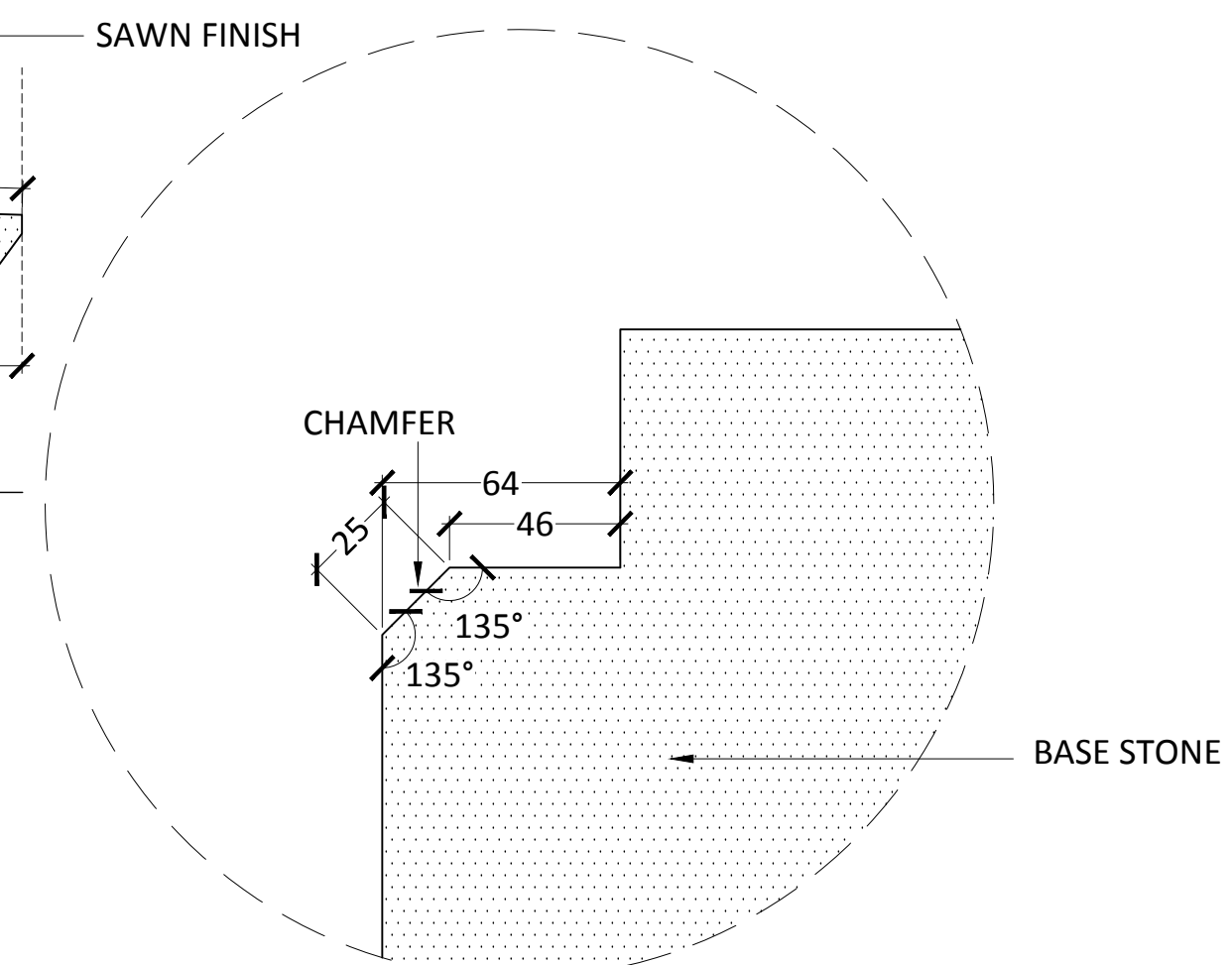
9 NICHE SHUTTER  
L3.3 SCALE: 1:5



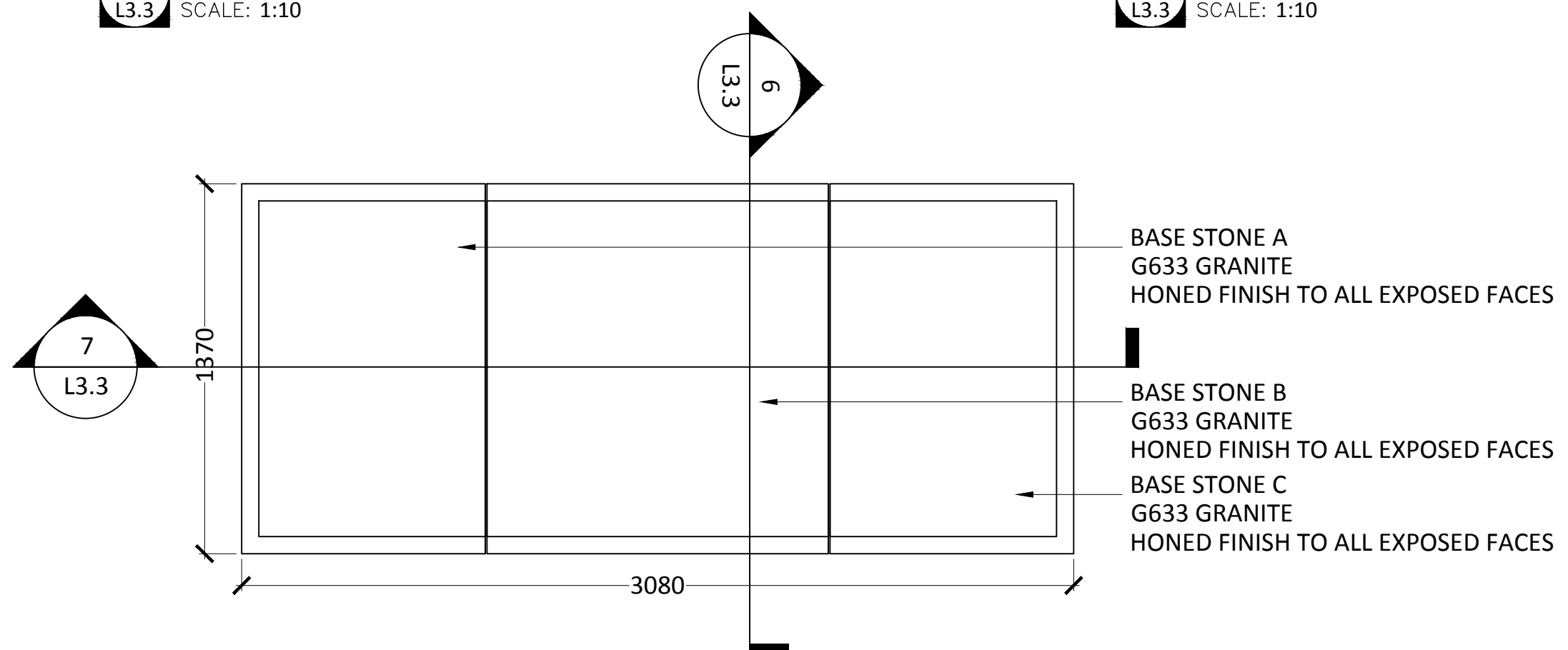
3 CAP - SECTION  
L3.3 SCALE: 1:10



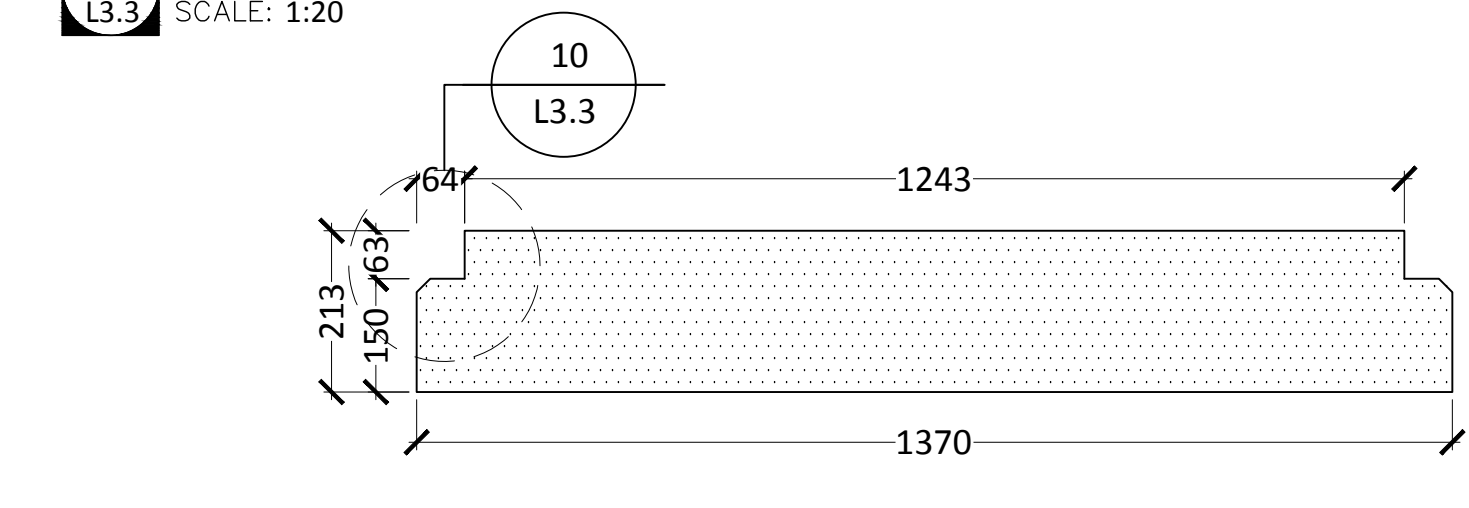
4 CAP - SECTION  
L3.3 SCALE: 1:10



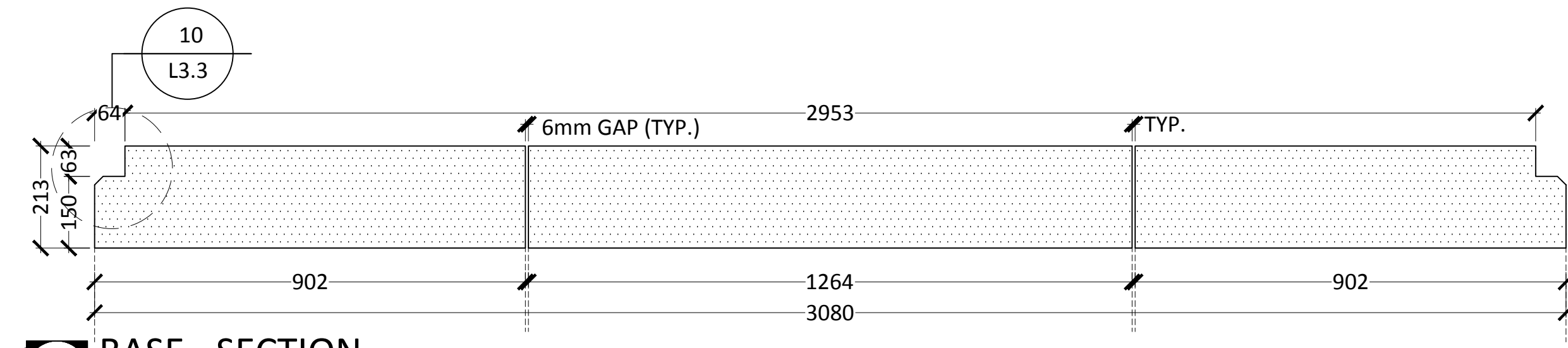
10 BASE - SECTION DETAIL  
L3.3 SCALE: 1:10



5 BASE - PLAN  
L3.3 SCALE: 1:20



6 BASE - SECTION  
L3.3 SCALE: 1:10



7 BASE - SECTION  
L3.3 SCALE: 1:10

Revision/Revision	Description/Description	Date/Date
1	100% CONSTRUCTION DRAWINGS	18/11/30

Client/client: Veterans Affairs Canada / Anciens Combattants Canada

Project title/Titre du projet: ESQUIMALT, B.C. VETERANS DRIVE ESQUIMALT VETERANS CEMETERY COLUMBARIA PHASE 2

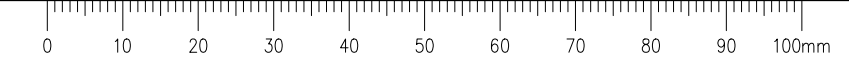
Designed by/Concept par: LEES + ASSOCIATES

Drawn by/Dessiné par: LEES + ASSOCIATES / DATE (2018.11.30)  
PSPC Project Manager/Administrateur de Projets TPSGC: Alena Mikulica

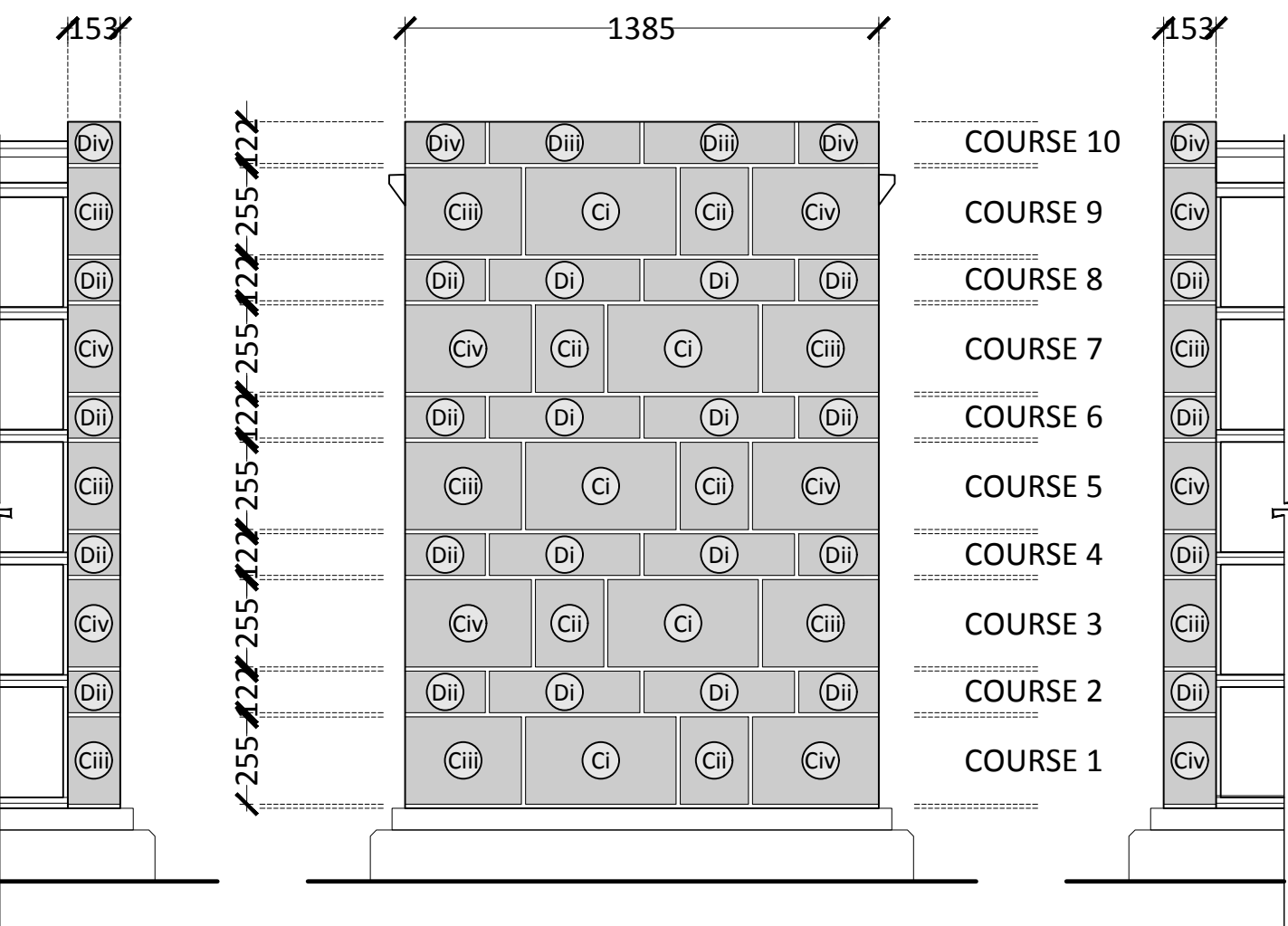
PSPC Regional Manager, Architectural and Engineering Services/ Gestionnaire régionale, Services d'architectural et de génie, TPSGC

Drawing title/Titre du dessin: CONSTRUCTION DETAILS 80 NICHE COLUMBARIA STONE ELEMENTS

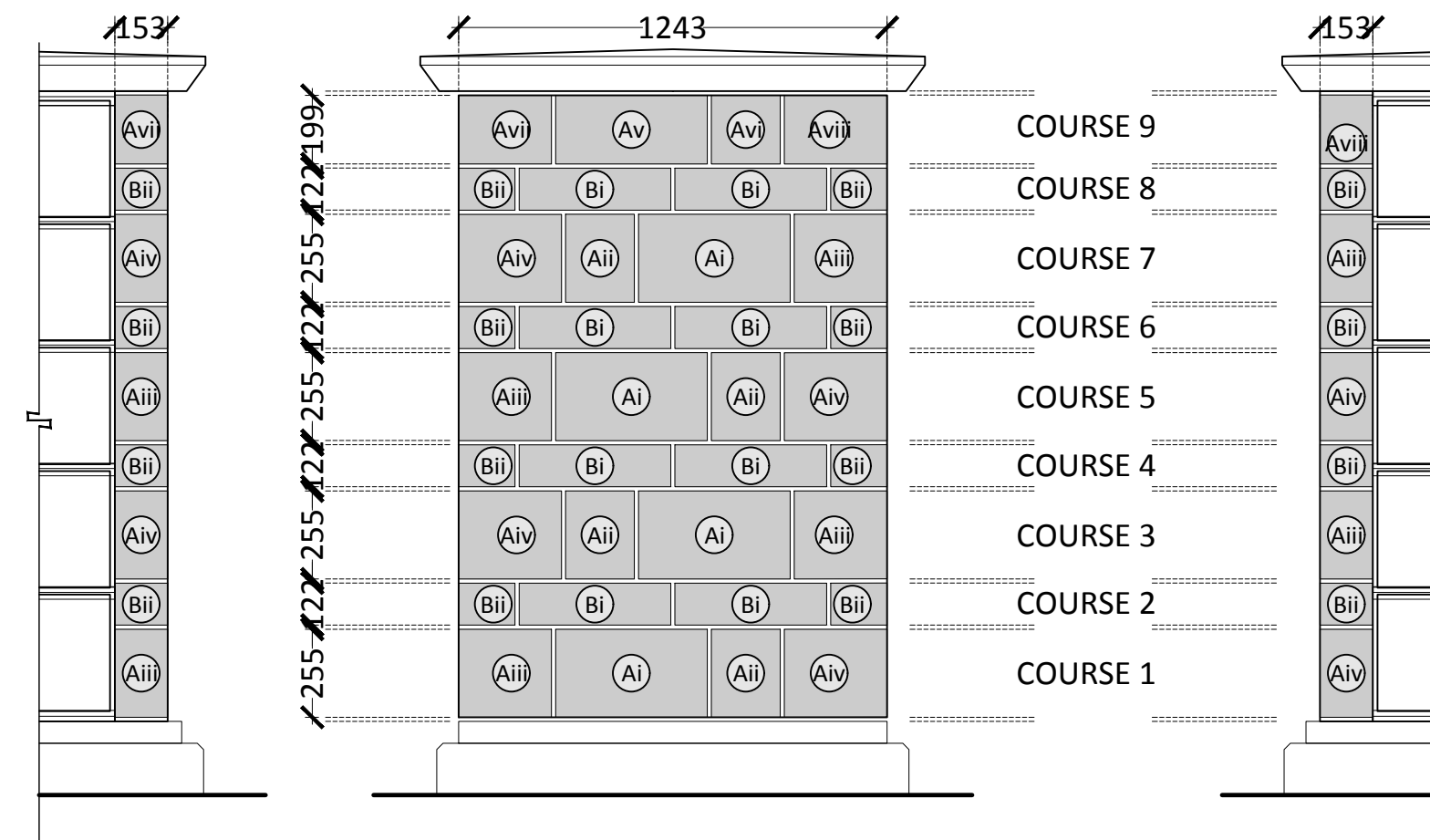
Project No./No. du projet: R.102470.001  
Sheet/Feuille: L3.3  
Revision no./La Révision no.: 1



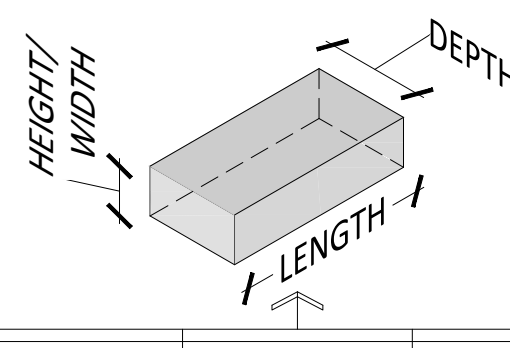
Z:\Active Clients\Public Works and Government Services Canada\18-238 Columbaria Tender&CA Phase 2\16\_CAD\Working Drawings\18-238\_EVC\_Exp\_L30 to L38\_Columbaria\_Details.dwg



**1** 40 NICHE COLUMBARIUM - END WALLS  
L3.4 SCALE: 1:20

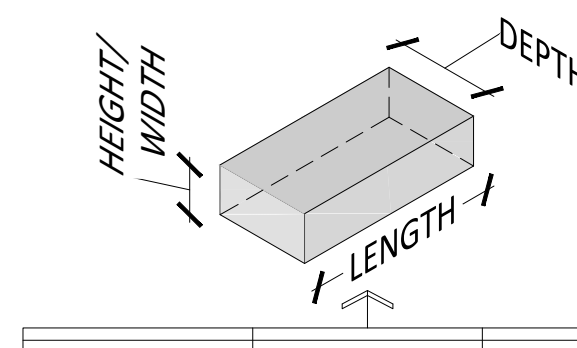


**3** 80 NICHE COLUMBARIUM - END WALLS  
L3.4 SCALE: 1:20



STONE SCHEDULE - 40 NICHE COLUMBARIUM						
REF.	MATERIAL	COURSE	LENGTH	HEIGHT/WIDTH	DEPTH	FINISH/NOTES
CAP						
-	G633 GRANITE	-	1627	121	1463	HONED FINISH TO ALL EXPOSED FACES SAWN FINISH TO SIDE FACING NICHE UNITS AND END WALL
BASE						
STONE A	G633 GRANITE	-	1865	150	1588	ROCK PITCH FINISH TO VERTICAL FACES HONED FINISH TO ALL OTHER EXPOSED FACES
STONE B	G633 GRANITE	-	1738	63	1461	ROCK PITCH FINISH TO VERTICAL FACES HONED FINISH TO ALL OTHER EXPOSED FACES
NICHE SHUTTER						
-	BLACK TUSK BASALT	-	338	38	316	FLAMED FINISH TO EXPOSED FACE SAWN FINISH TO ALL OTHER FACES
NICHE SHUTTER SPACER PIECE						
-	BLACK TUSK BASALT	-	338	38	42	FLAMED FINISH TO EXPOSED FACE SAWN FINISH TO ALL OTHER FACES
FRONT PANEL						
STONE A	BLACK TUSK BASALT	-	338	38	83	HONED FINISH TO EXPOSED FACE (FRONT & ENDS) SAWN FINISH TO ALL OTHER FACES
STONE B	BLACK TUSK BASALT	-	820	38	986	HONED FINISH TO EXPOSED FACE (FRONT & ENDS) SAWN FINISH TO ALL OTHER FACES
STONE C	BLACK TUSK BASALT	-	338	38	83	HONED FINISH TO EXPOSED FACE (FRONT & ENDS) SAWN FINISH TO ALL OTHER FACES
END WALL GRANITE BLOCKS						
Ci	G633 GRANITE	255	-	180	440	OUTER FACE - ROCK PITCH, ALL OTHER SIDES - SAWN
Cii	G633 GRANITE	255	-	180	200	OUTER FACE - ROCK PITCH, ALL OTHER SIDES - SAWN
Ciii	G633 GRANITE	255	-	180	340	OUTER & END SIDE - ROCK PITCH, GROUTED SIDES - SAWN, SIDE FACING NICHE UNITS - FLAMED
Civ	G633 GRANITE	255	-	180	370	OUTER & END SIDE - ROCK PITCH, GROUTED SIDES - SAWN, SIDE FACING NICHE UNITS - FLAMED
Di	G633 GRANITE	122	-	180	440	OUTER FACE - ROCK PITCH, ALL OTHER SIDES - SAWN
Dii	G633 GRANITE	122	-	180	200	OUTER & END SIDE - ROCK PITCH, GROUTED SIDES - SAWN, SIDE FACING NICHE UNITS - FLAMED
Diii	G633 GRANITE	122	-	180	440	END & TOP SIDE - ROCK PITCH, GROUTED SIDES - SAWN, SIDE FACING NICHE UNITS - FLAMED
Div	G633 GRANITE	122	-	180	234	OUTER, END & TOP SIDES - ROCK PITCH, GROUTED SIDES - SAWN, SIDE FACING NICHE UNITS - FLAMED

**2** STONE SCHEDULE - 40 NICHE COLUMBARIUM  
L3.4 SCALE: Not to Scale



STONE SCHEDULE - 80 NICHE COLUMBARIUM						
REF.	MATERIAL	COURSE	LENGTH	HEIGHT/WIDTH	DEPTH	FINISH/NOTES
CAP						
STONE A	G633 GRANITE	-	676	121	1463	HONED FINISH TO ALL EXPOSED FACES SAWN FINISH TO SIDE FACING NICHE UNITS AND END WALL
STONE B	G633 GRANITE	-	1629	121	1463	HONED FINISH TO ALL EXPOSED FACES SAWN FINISH TO SIDE FACING NICHE UNITS AND END WALL
STONE C	G633 GRANITE	-	676	121	1463	HONED FINISH TO ALL EXPOSED FACES SAWN FINISH TO SIDE FACING NICHE UNITS AND END WALL
BASE						
STONE A	G633 GRANITE	-	902	213	1370	HONED FINISH TO ALL EXPOSED FACES
STONE B	G633 GRANITE	-	1264	213	1370	HONED FINISH TO ALL EXPOSED FACES
STONE C	G633 GRANITE	-	902	213	1370	HONED FINISH TO ALL EXPOSED FACES
NICHE SHUTTER						
-	BLACK TUSK BASALT	-	338	38	316	HONED FINISH TO EXPOSED FACE SAWN FINISH TO ALL OTHER FACES
END WALL GRANITE BLOCKS						
Ai	G633 GRANITE	255	-	153	440	OUTER FACE - ROCK PITCH, ALL OTHER SIDES - SAWN
Aii	G633 GRANITE	255	-	153	200	OUTER FACE - ROCK PITCH, ALL OTHER SIDES - SAWN
Aiii	G633 GRANITE	255	-	153	269	OUTER & END SIDE - ROCK PITCH, ALL OTHER SIDES - SAWN (INCLUDING SIDE FACING NICHE UNITS)
Aiv	G633 GRANITE	255	-	153	298	OUTER & END SIDE - ROCK PITCH, ALL OTHER SIDES - SAWN (INCLUDING SIDE FACING NICHE UNITS)
Av	G633 GRANITE	199	-	153	440	OUTER FACE - ROCK PITCH, ALL OTHER SIDES - SAWN
Avi	G633 GRANITE	199	-	153	200	OUTER FACE - ROCK PITCH, ALL OTHER SIDES - SAWN
Avii	G633 GRANITE	199	-	153	269	OUTER & END SIDE - ROCK PITCH, ALL OTHER SIDES - SAWN (INCLUDING SIDE FACING NICHE UNITS)
Aviii	G633 GRANITE	199	-	153	298	OUTER & END SIDE - ROCK PITCH, ALL OTHER SIDES - SAWN (INCLUDING SIDE FACING NICHE UNITS)
Bi	G633 GRANITE	122	-	153	440	OUTER FACE - ROCK PITCH, ALL OTHER SIDES - SAWN
Bii	G633 GRANITE	122	-	153	163	OUTER & END SIDE - ROCK PITCH, ALL OTHER SIDES - SAWN (INCLUDING SIDE FACING NICHE UNITS)

**4** STONE SCHEDULE - 80 NICHE COLUMBARIUM  
L3.4 SCALE: Not to Scale

**STONE SCHEDULE NOTES:**  
- ALL DIMENSIONS SHOWN ARE IN MILLIMETRES (mm).  
- DIMENSIONS EXCLUDE GROUT.



NOV 3 0 2018

Revision/Revision	Description/Description	Date/Date
1	100% CONSTRUCTION DRAWINGS	18/11/30

Client/client  
 Veterans Affairs Canada / Anciens Combattants Canada

Project title/Titre du projet  
**ESQUIMALT, B.C. VETERANS DRIVE**  
**ESQUIMALT VETERANS CEMETERY COLUMBARIA**  
**PHASE 2**

Consultant Signature Box Only  
 Designed by/Concept par  
**LEES + ASSOCIATES**  
 Drawn by/Dessiné par  
**LEES + ASSOCIATES / DATE (2018.11.30)**  
 PSPC Project Manager/Administrateur de Projets TPSGC  
**Alena Mikulica**  
 PSPC, Regional Manager, Architectural and Engineering Services/  
 Gestionnaire régionale, Services d'architecture et de génie, TPSGC

Drawing title/Titre du dessin  
**CONSTRUCTION DETAILS**  
**END WALLS**  
**AND STONE SCHEDULES**

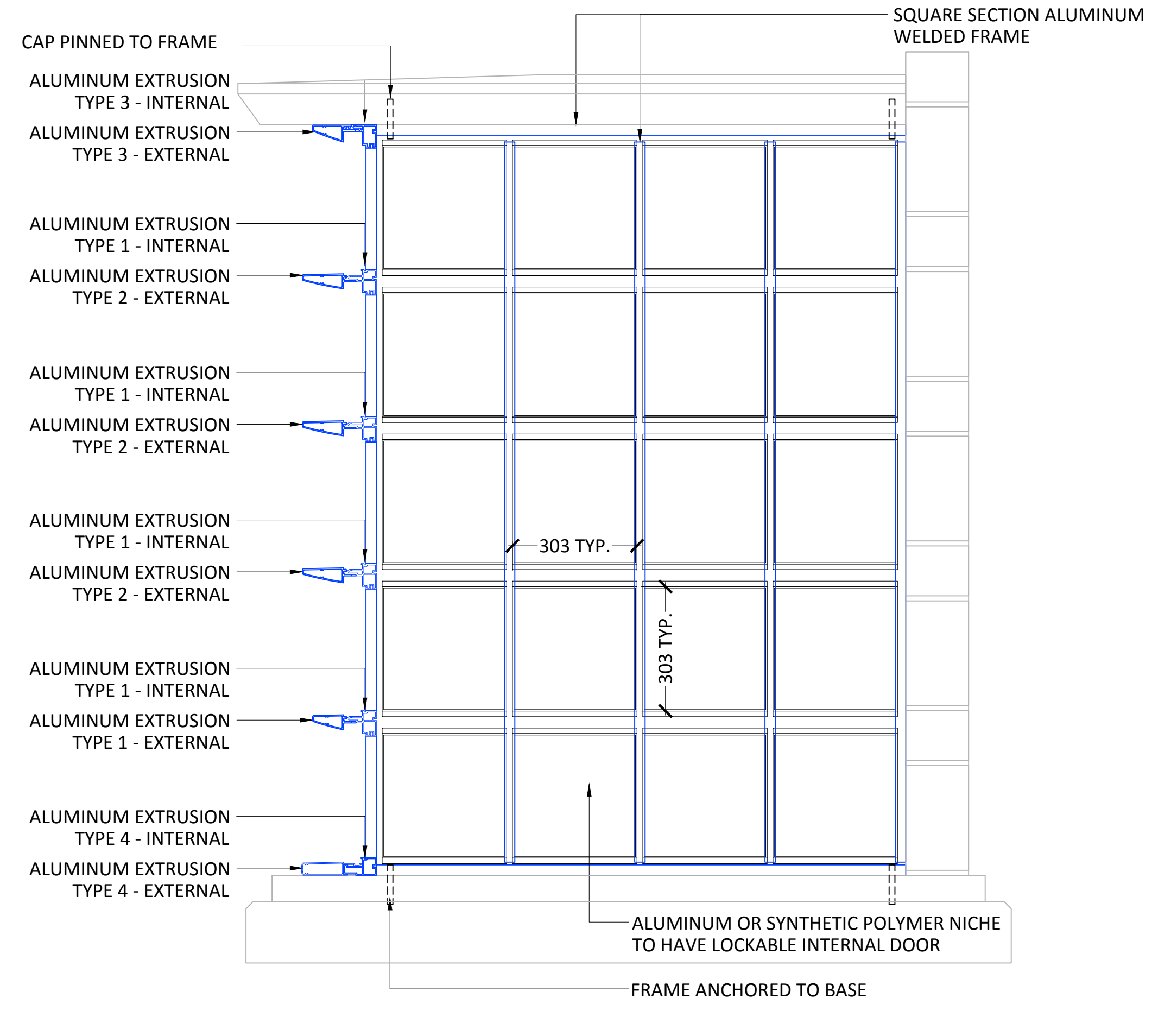
Project No./No. du projet  
**R.102470.001.**  
 Sheet/Fauille  
**L3.4**  
**8 OF 12**  
 Revision no./La Révision no.  
**1**



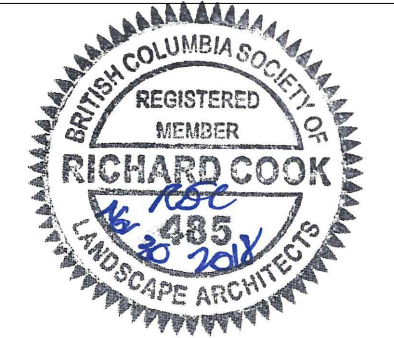
Z:\Active Clients\Public Works and Government Services Canada\18-238 Columbaria Tender&CA Phase 2\16\_CAD\Working Drawings\18-238\_EVC\_Exp\_L30 to L38\_Columbaria\_Details.dwg



**1**  
SECTION  
SCALE: 1:10



**2**  
CROSS SECTION  
SCALE: 1:10



NOV 3 0 2018

Revision/Revision	Description/Description	Date/Date
1	100% CONSTRUCTION DRAWINGS	18/11/30

Client/client

Veterans Affairs Canada / Anciens Combattants Canada

Project title/Titre du projet  
**ESQUIMALT, B.C.  
VETERANS DRIVE  
ESQUIMALT VETERANS  
CEMETERY COLUMBARIA  
PHASE 2**

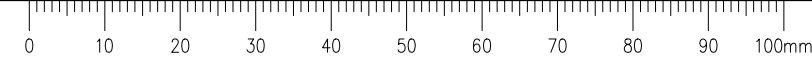
Designed by/Concept par  
**LEES + ASSOCIATES**

Drawn by/Dessiné par  
**LEES + ASSOCIATES / DATE (2018.11.30)**  
**Alena Mikulica**

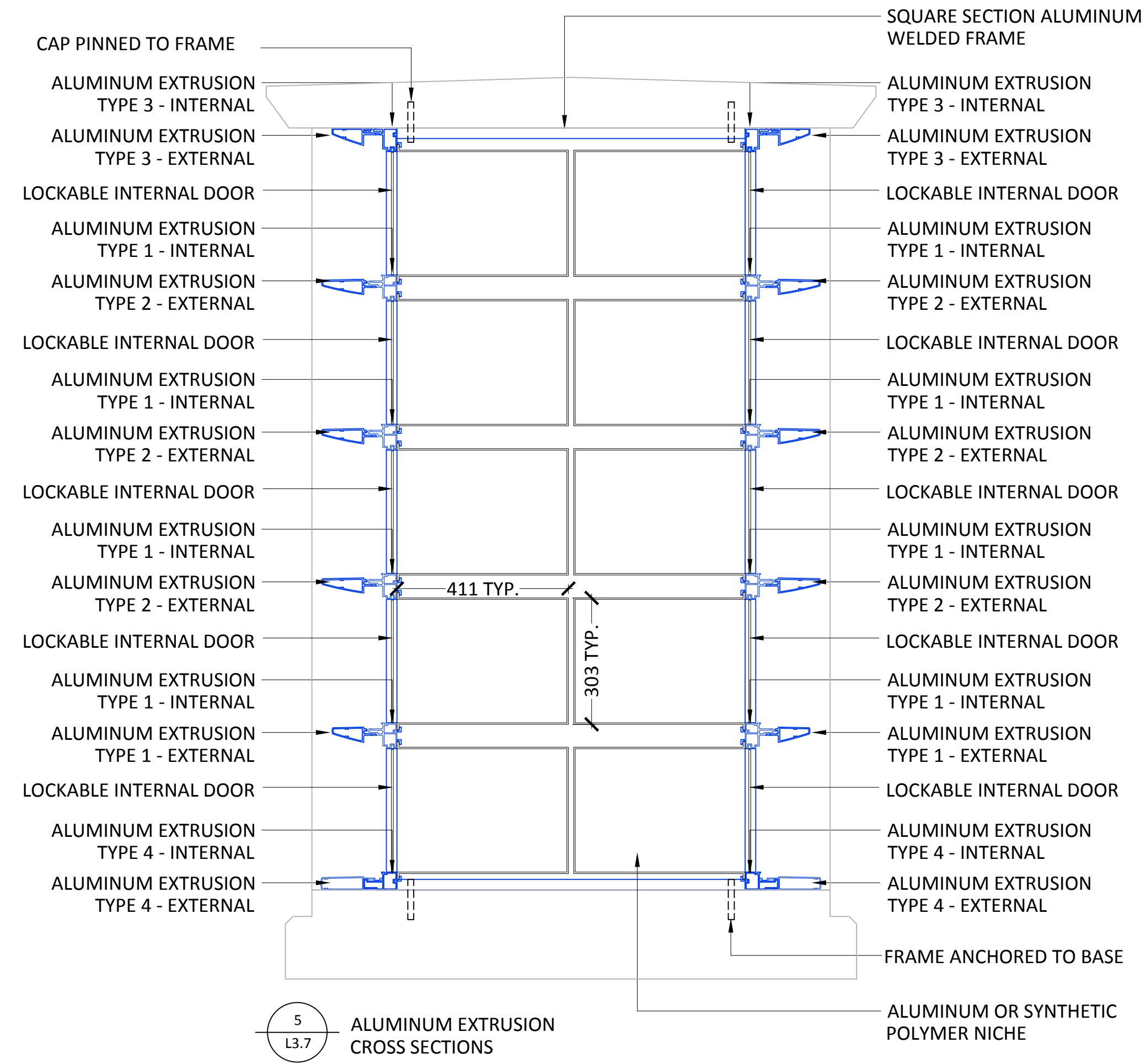
PSPC Project Manager/Administrateur de Projets TPSGC  
**Alena Mikulica**

Drawing title/Titre du dessin  
**CONSTRUCTION DETAILS  
40 NICHE COLUMBARIA  
ALUMINUM FRAME**

Project No./No. du projet: **R.102470.001.**  
Sheet/Fauille: **L3.5**  
Revision no./La Révision no.: **1**  
**9 OF 12**

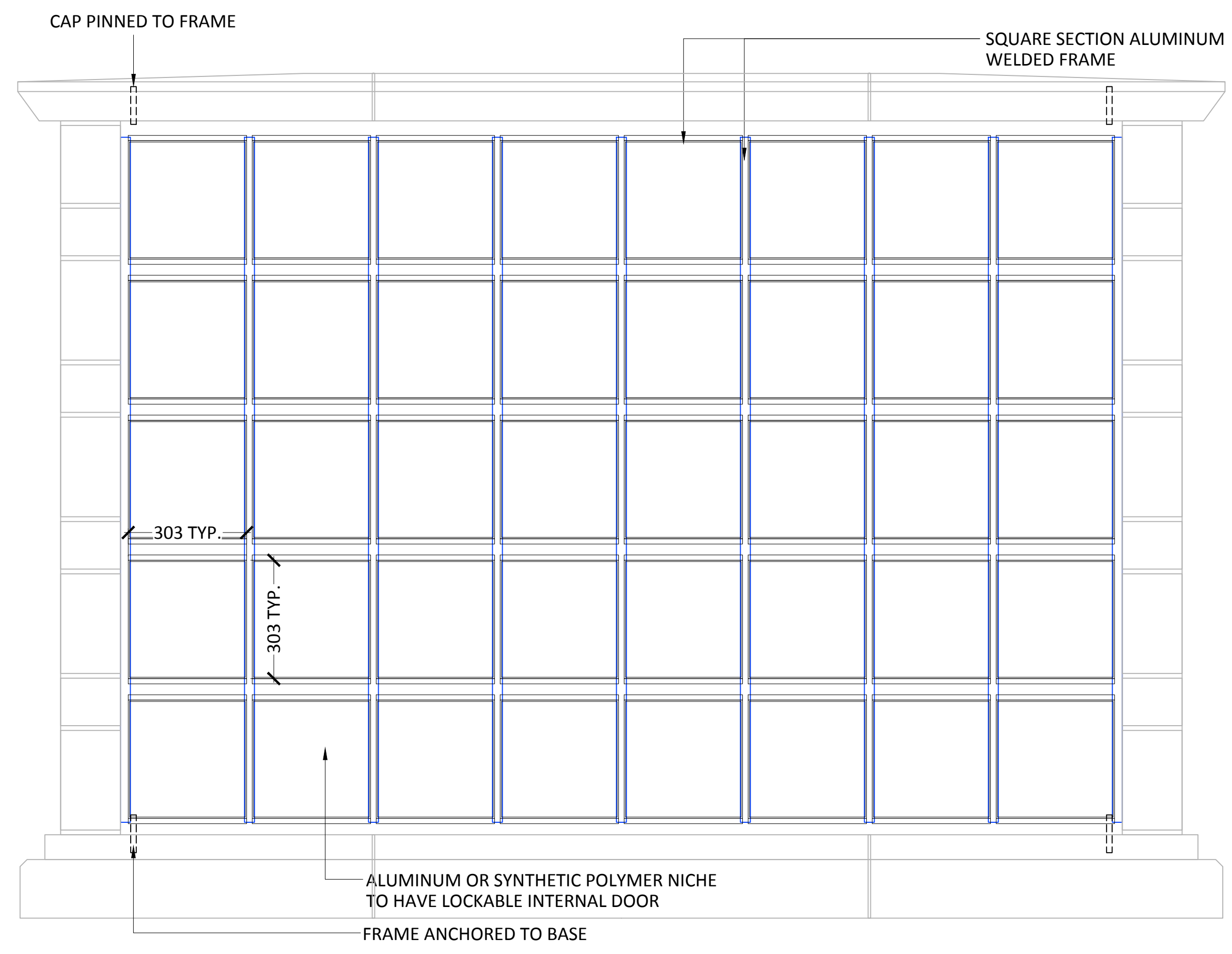


Z:\Active Clients\Public Works and Government Services Canada\18-238 Columbaria Tender&CA Phase 2\6\_CAD\Working Drawings\18-238\_EVC\_Exp\_L3.0 to L3.8\_Columbaria\_Details.dwg

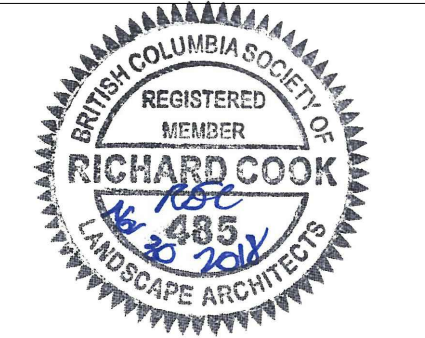


5 L3.7 ALUMINUM EXTRUSION CROSS SECTIONS

1 SECTION - 80 NICHE COLUMBARIUM L3.6 SCALE: 1:10



2 CROSS SECTION - 80 NICHE COLUMBARIUM L3.6 SCALE: 1:10



NOV 3 0 2018

Revision/Revision	Description/Description	Date/Date
1	100% CONSTRUCTION DRAWINGS	18/11/30

Client/client

Veterans Affairs Canada / Anciens Combattants Canada

Project title/Titre du projet  
**ESQUIMALT, B.C.  
 VETERANS DRIVE  
 ESQUIMALT VETERANS  
 CEMETERY COLUMBARIA  
 PHASE 2**

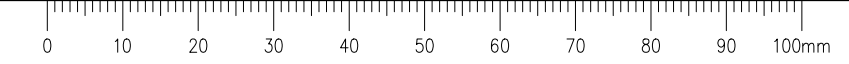
Consultant Signature Box Only  
 Designed by/Concept par  
**LEES + ASSOCIATES**

Drawn by/Dessiné par  
**LEES + ASSOCIATES / DATE (2018.11.30)**  
**Alena Mikulica**

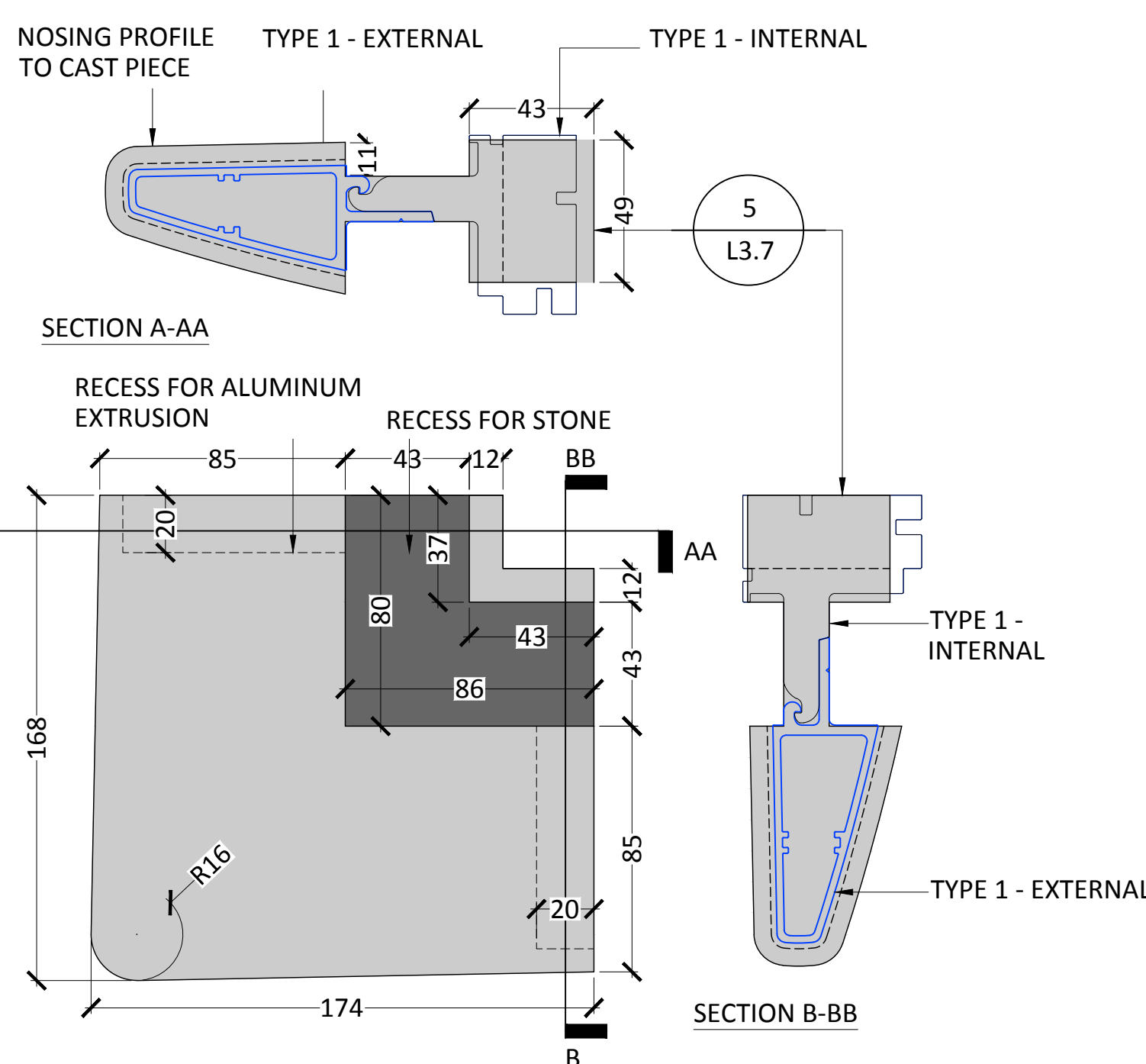
PSPC Project Manager/Administrateur de Projets TPSGC  
 PSPC, Regional Manager, Architectural and Engineering Services/  
 Gestionnaire régionale, Services d'architectural et de génie, TPSGC

Drawing title/Titre du dessin  
**CONSTRUCTION DETAILS  
 80 NICHE COLUMBARIA  
 ALUMINUM FRAME**

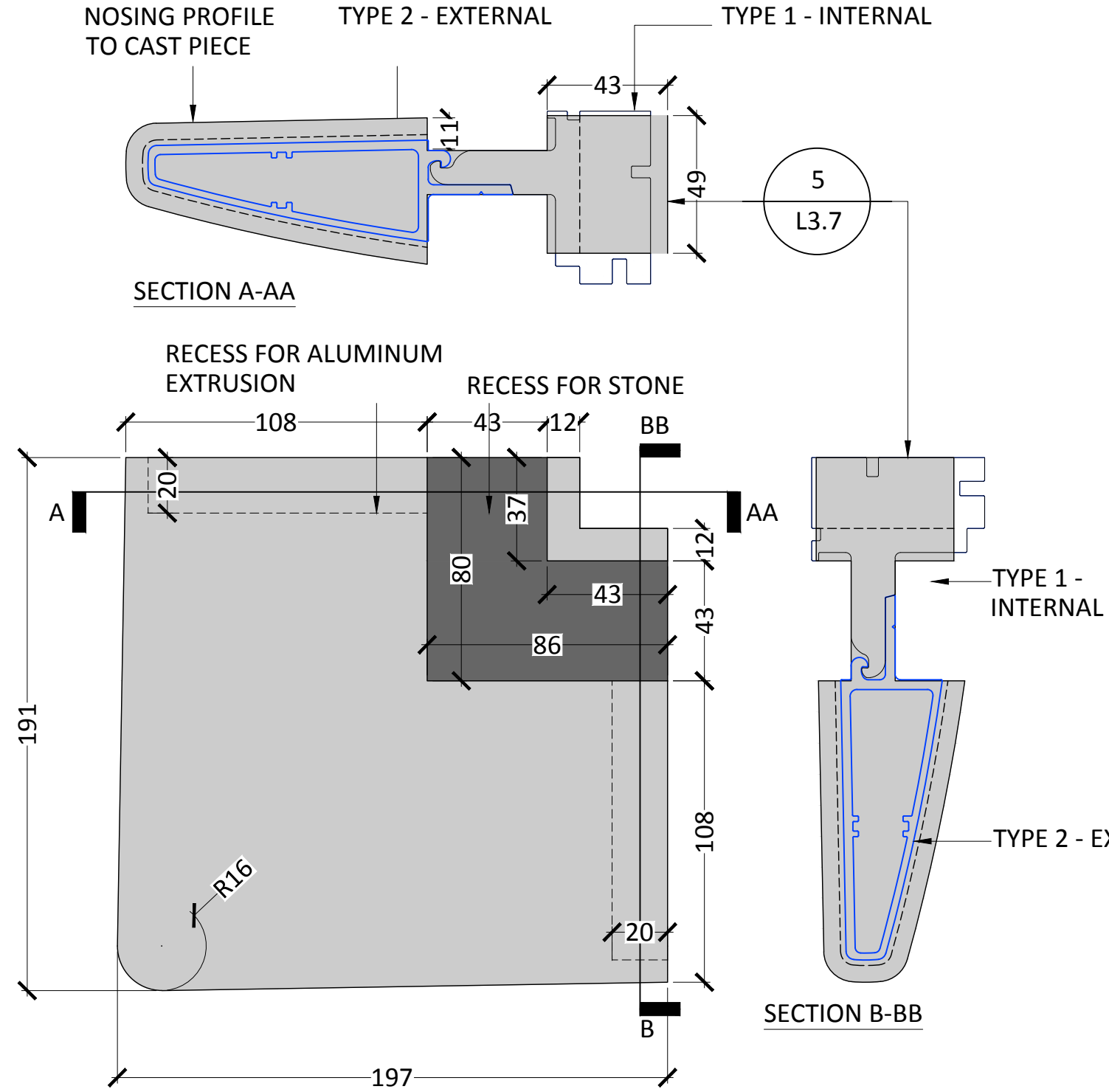
Project No./No. du projet: **R.102470.001.** Sheet/Fauille: **L3.6** Revision no./La Révision no.: **1**  
**10 OF 12**



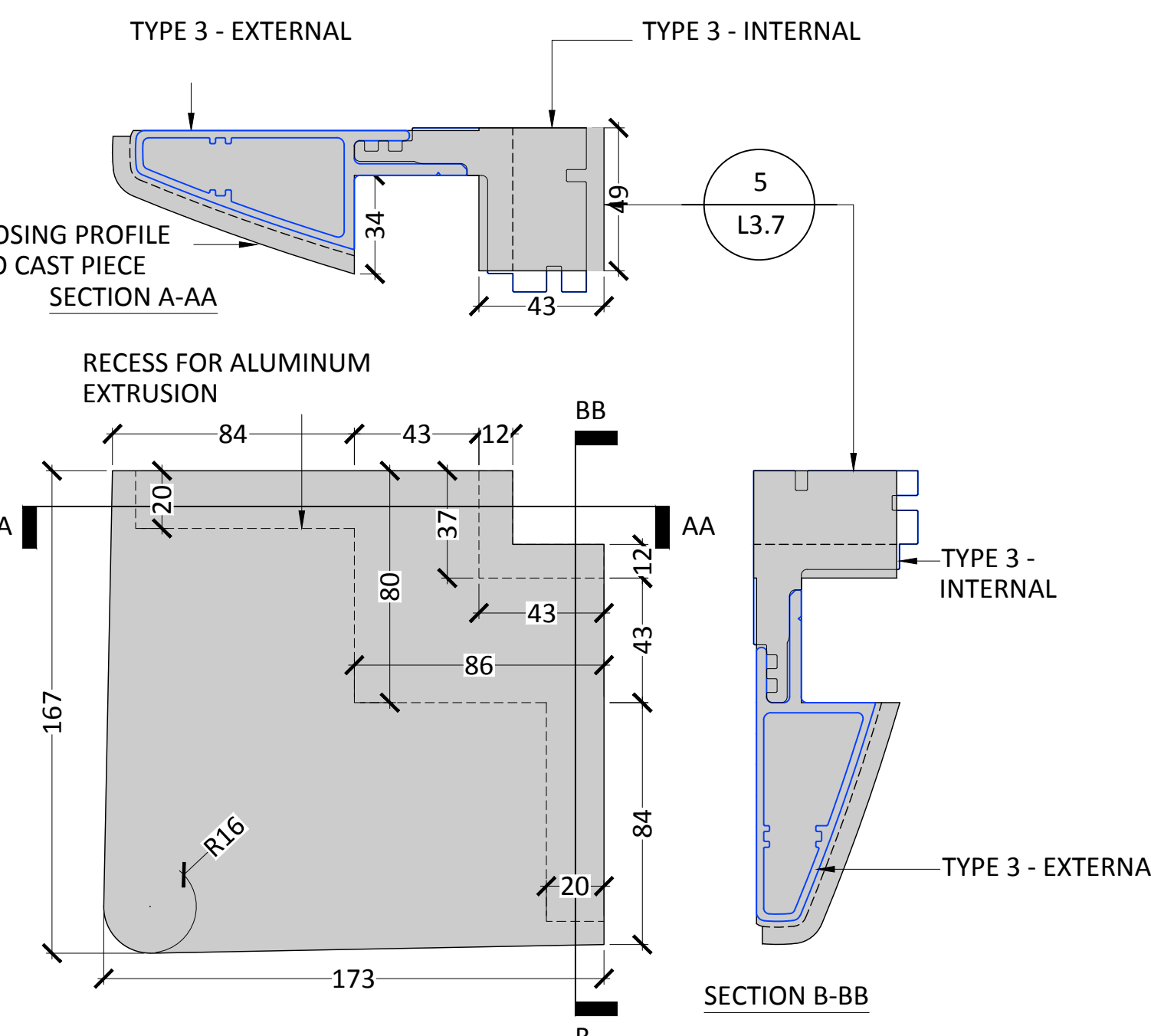
Z:\Active Clients\Public Works and Government Services Canada\18-238 Columbia Tender&CA Phase 2\16\_CAD\Working Drawings\18-238\_EVC\_Exp\_L3.0 to L3.8\_Columbaria\_Details.dwg



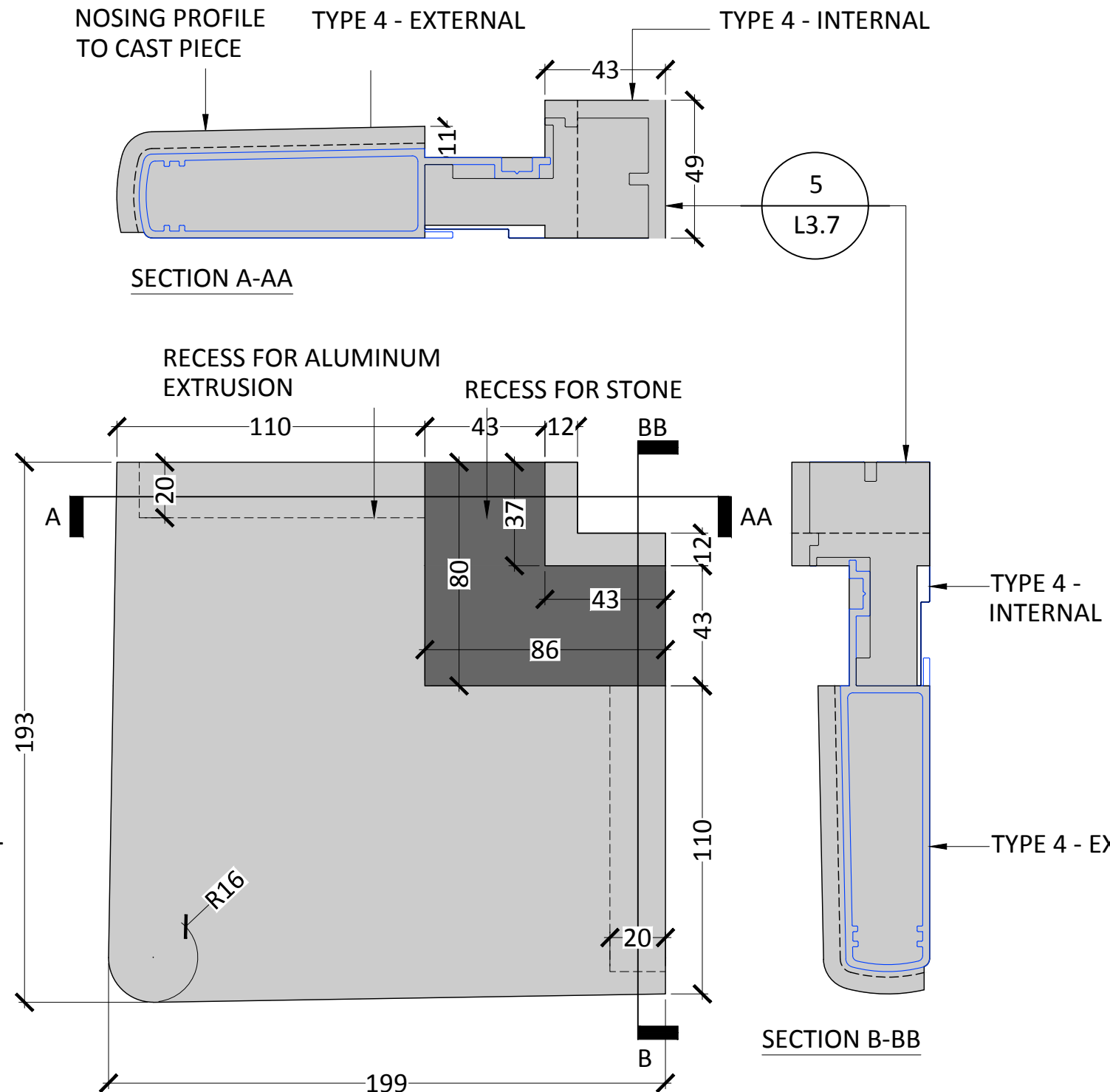
**1** CAST ALUMINUM CORNER PIECE - TYPE 1  
L3.7 SCALE: 1:2



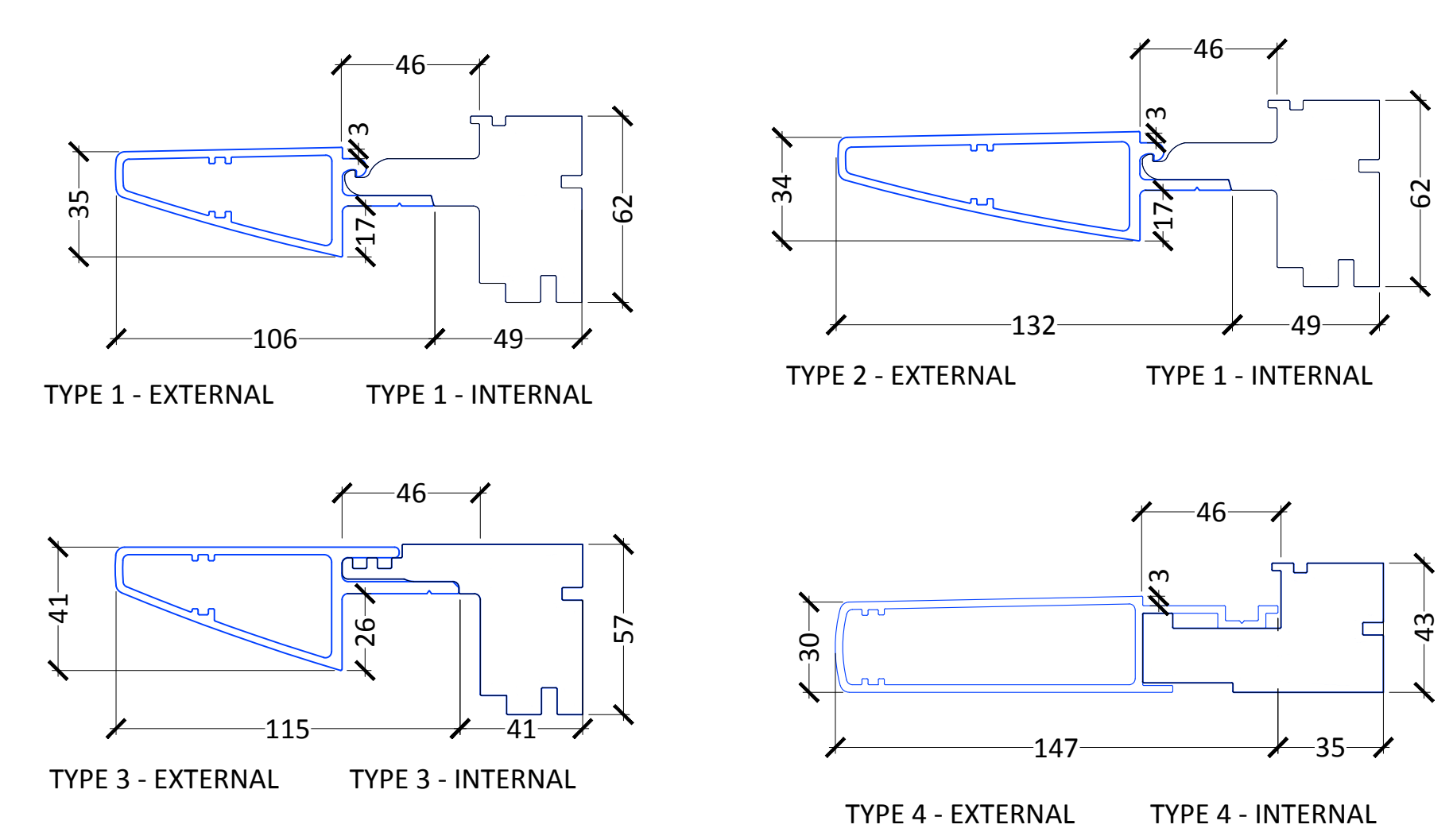
**2** CAST ALUMINUM CORNER PIECE - TYPE 2  
L3.7 SCALE: 1:2



**3** CAST ALUMINUM CORNER PIECE - TYPE 3  
L3.7 SCALE: 1:2

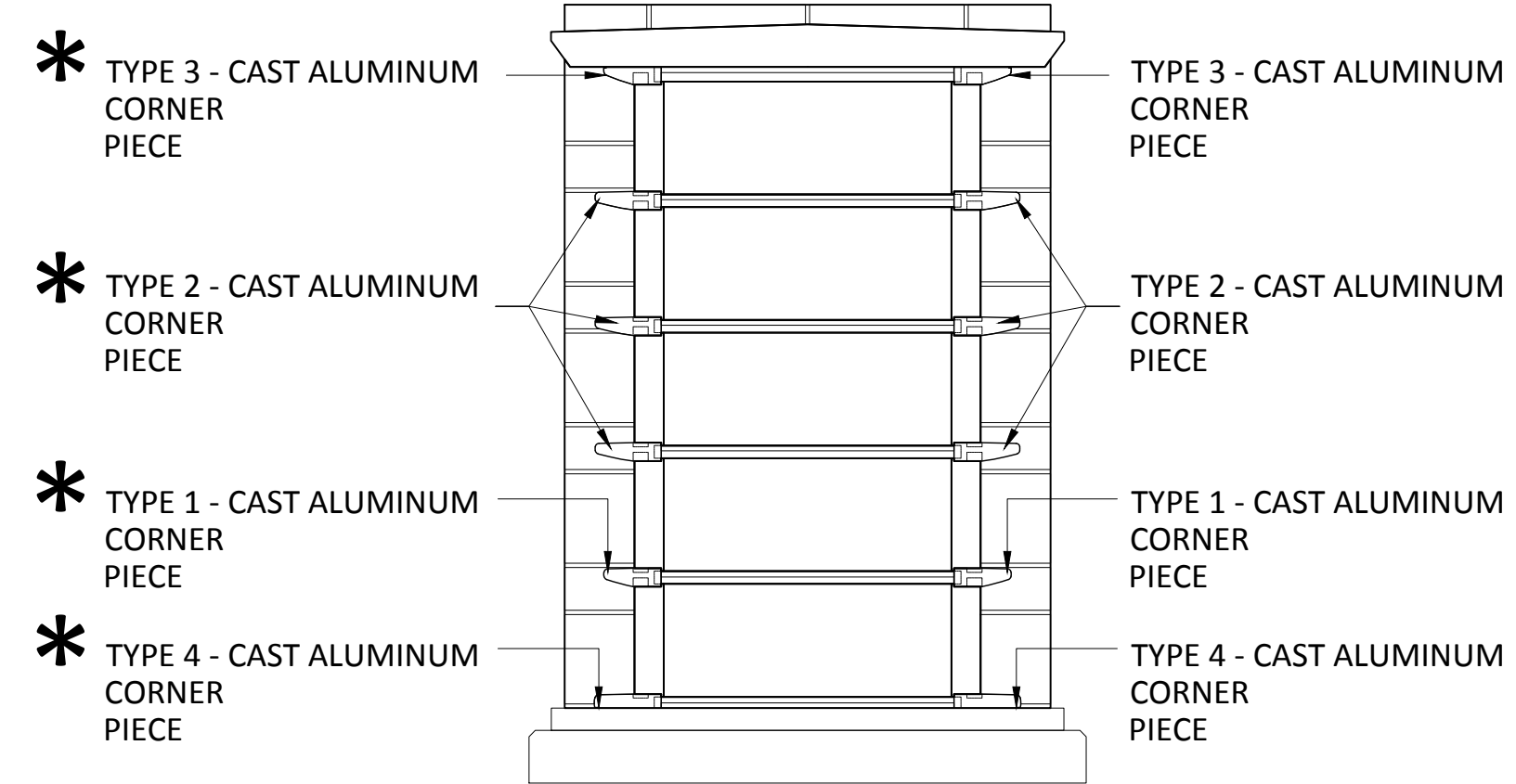


**4** CAST ALUMINUM CORNER PIECE - TYPE 4  
L3.7 SCALE: 1:2



**5** ALUMINUM EXTRUSION CROSS SECTIONS  
L3.7 SCALE: 1:2

NOTE:  
ALL CORNER PIECES MARKED \*  
CAST AS A MIRROR IMAGE.



**6** CAST ALUMINUM CORNER PIECE - LOCATION DIAGRAM  
L3.7 SCALE: 1:20

Revision/Revision	Description/Description	Date/Date
1	100% CONSTRUCTION DRAWINGS	18/11/30

Client/client: Veterans Affairs Canada / Anciens Combattants Canada

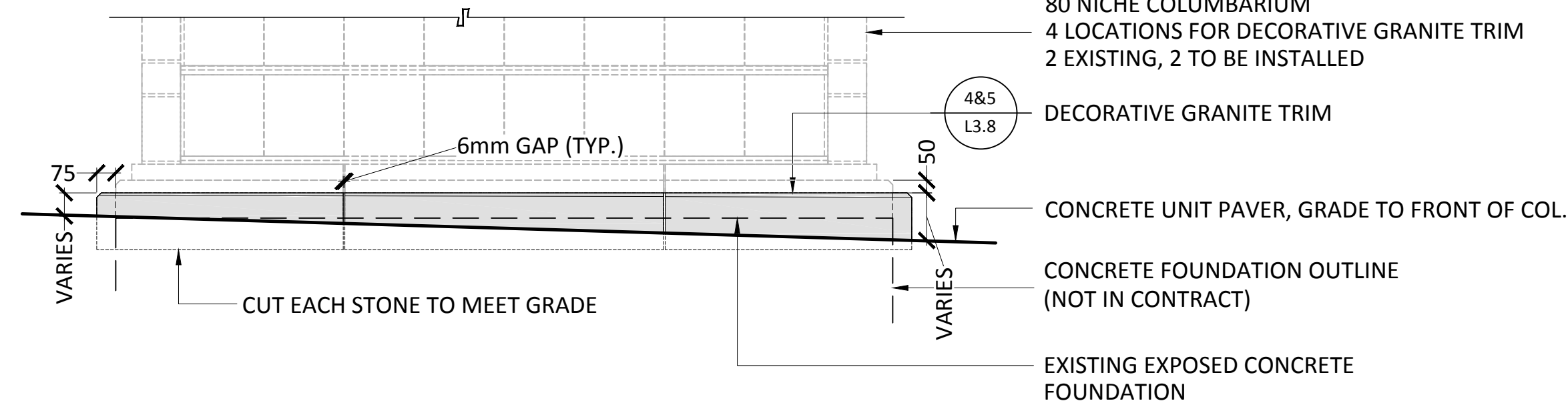
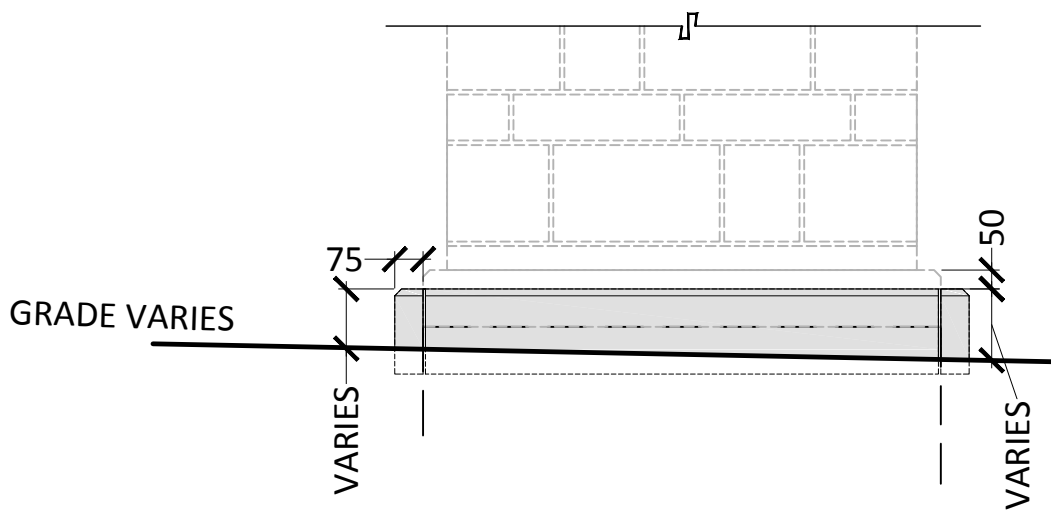
Project title/Titre du projet: **ESQUIMALT, B.C. VETERANS DRIVE ESQUIMALT VETERANS CEMETERY COLUMBARIA PHASE 2**

Designed by/Concept par: LEES + ASSOCIATES  
Drawn by/Dessiné par: LEES + ASSOCIATES / DATE (2018.11.30)  
PSPC Project Manager/Administrateur de Projets TPSCG: Alena Mikulica  
PSPC Regional Manager, Architectural and Engineering Services/ Gestionnaire régionale, Services d'architectural et de génie, TPSCG

Drawing title/Titre du dessin: **CONSTRUCTION DETAILS ALUMINUM SECTION DETAILS AND CAST ALUMINUM CORNER PIECES**

Project No./No. du projet: R.102470.001	Sheet/Feuille: <b>L3.7</b>	Revision no./La Révision no.: 1
---	----------------------------	---------------------------------

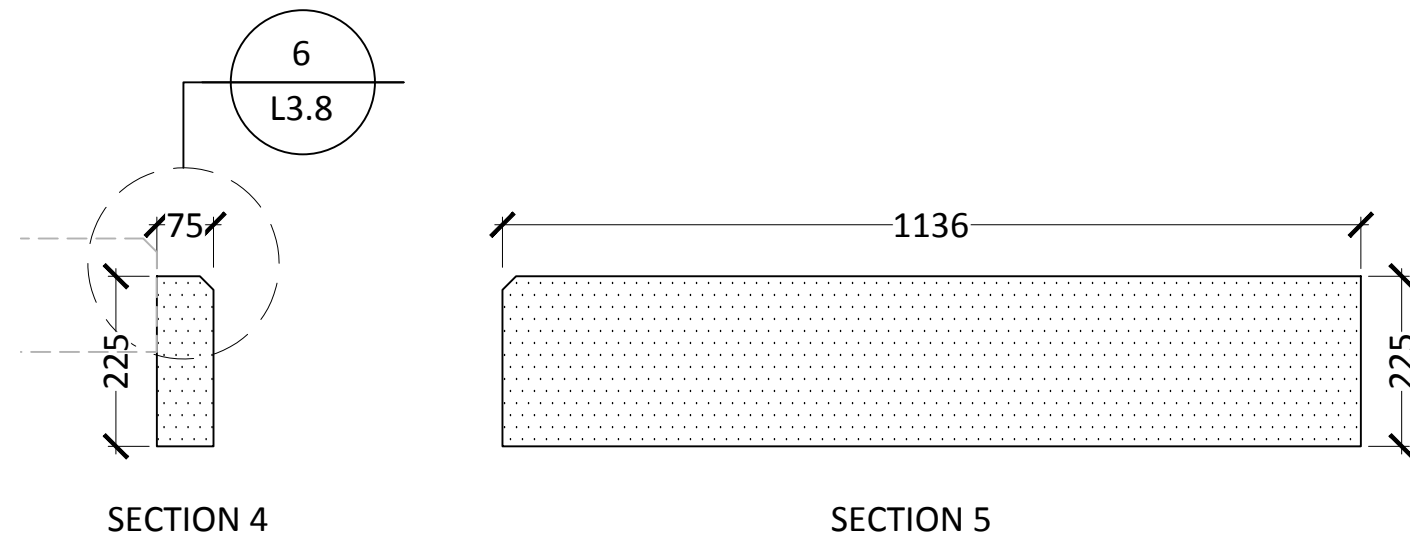
Z:\Active Clients\Public Works and Government Services Canada\18-238 Columbaria Tender&CA Phase 2\16\_CAD\Working Drawings\18-238\_EVC\_Exp\_L3.0 to L3.8\_Columbaria\_Details.dwg



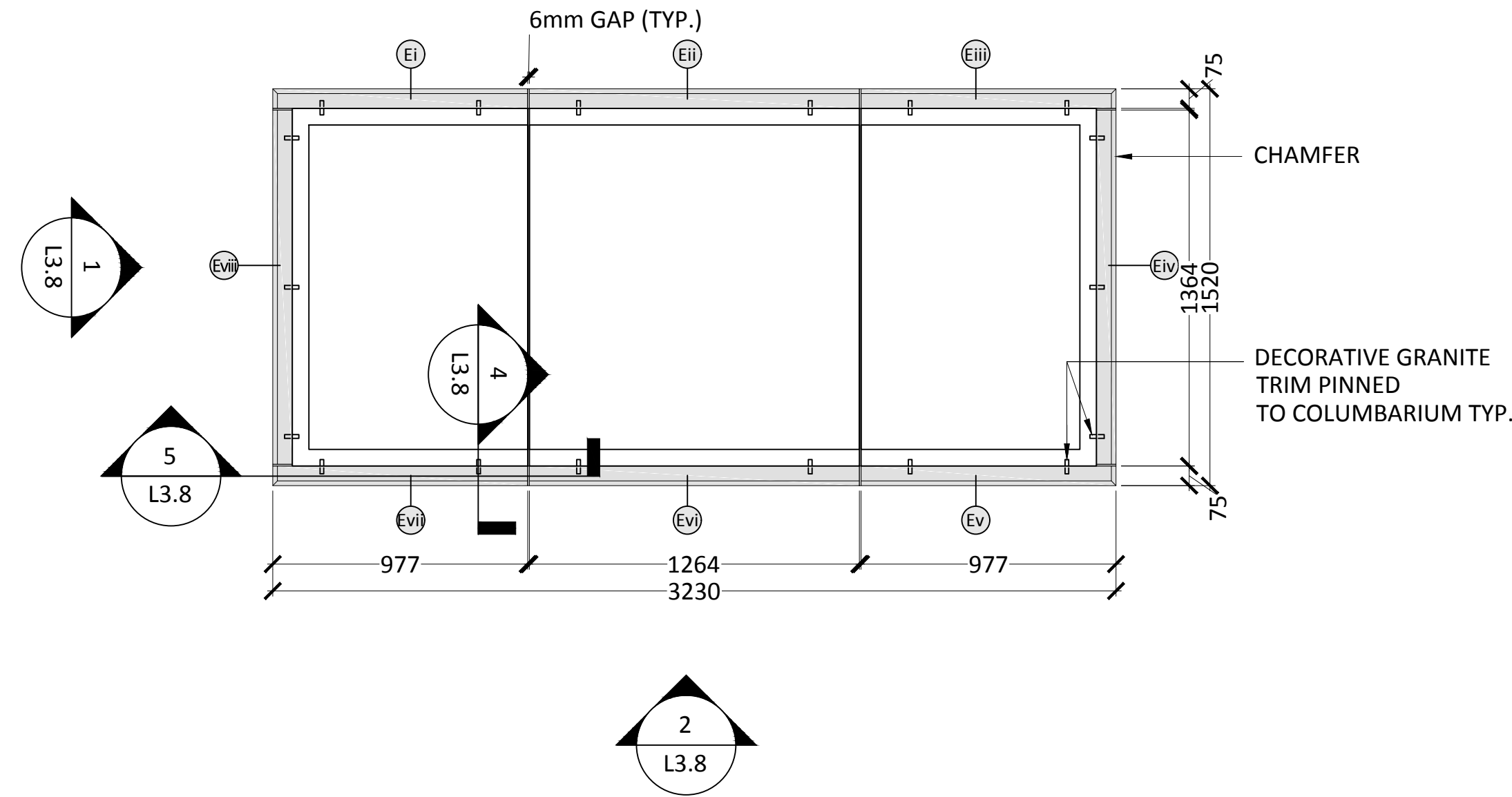
1 END ELEVATION  
L3.8 SCALE: 1:20

2 NICHE ELEVATION  
L3.8 SCALE: 1:20

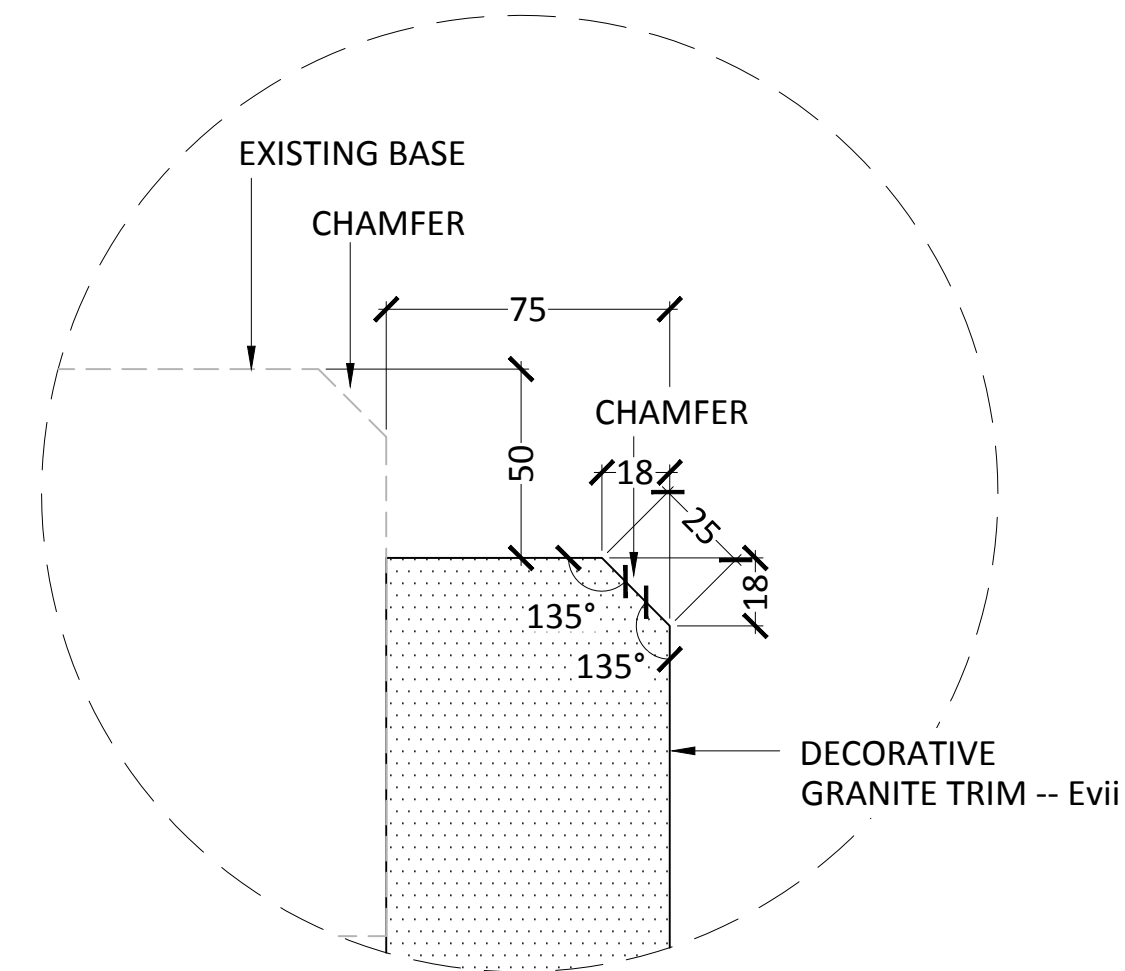
3 SKETCH  
L3.8 SCALE: Not to Scale



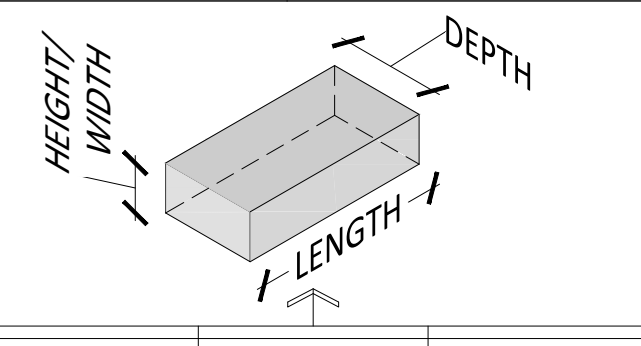
4&5 TYPICAL SECTIONS TO WRAP STONE Evii  
L3.8 SCALE: 1:10



7 PLAN  
L3.8 SCALE: 1:20



6 TYPICAL CHAMFER DETAIL  
L3.8 SCALE: 1:2



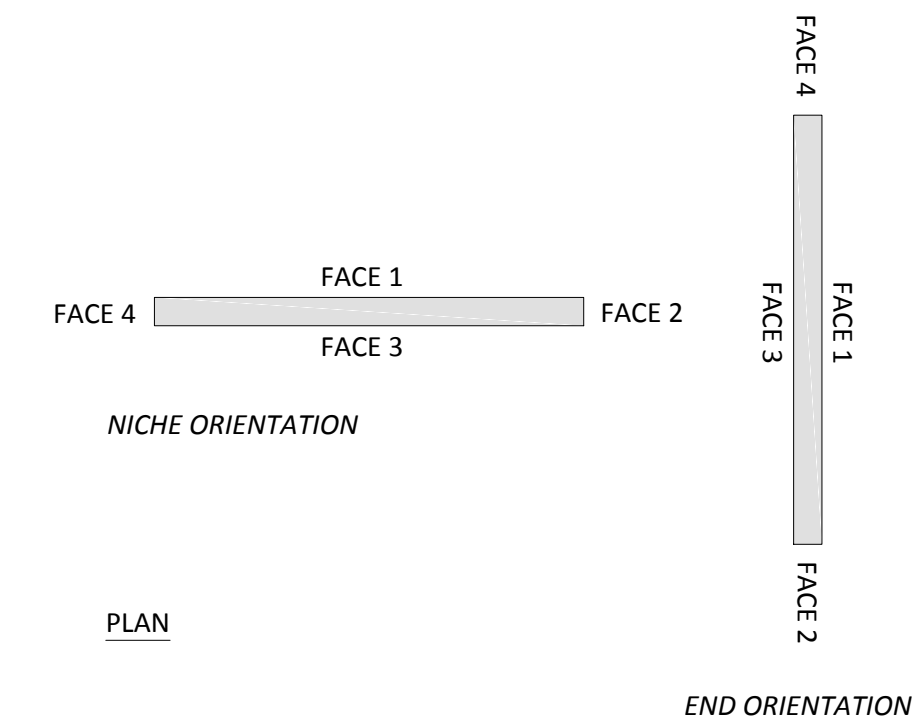
STONE SCHEDULE - STONE WRAPS TO EXISTING AND PROPOSED 80 NICHE COLUMBARIA					
REF.	MATERIAL	LENGTH	HEIGHT/WIDTH	DEPTH	FINISH/NOTES
ⒺI	G633 GRANITE	977	225	75	HONED FINISH TO ALL EXPOSED FACES, SAWN TO REMAINING, FACE 4 & FACE 1 CHAMFERED.
ⒺII	G633 GRANITE	1264	225	75	HONED FINISH TO ALL EXPOSED FACES, SAWN TO REMAINING, FACE 1 CHAMFERED.
ⒺIII	G633 GRANITE	977	225	75	HONED FINISH TO ALL EXPOSED FACES, SAWN TO REMAINING, FACE 1 & FACE 2 CHAMFERED.
ⒺIV	G633 GRANITE	1364	225	75	HONED FINISH TO ALL EXPOSED FACES, SAWN TO REMAINING, FACE 1 CHAMFERED.
ⒺV	G633 GRANITE	977	225	75	HONED FINISH TO ALL EXPOSED FACES, SAWN TO REMAINING, FACE 2 & FACE 3 CHAMFERED.
ⒺVI	G633 GRANITE	1264	225	75	HONED FINISH TO ALL EXPOSED FACES, SAWN TO REMAINING, FACE 3 CHAMFERED.
ⒺVII	G633 GRANITE	977	225	75	HONED FINISH TO ALL EXPOSED FACES, SAWN TO REMAINING, FACE 3 & FACE 4 CHAMFERED.
ⒺVIII	G633 GRANITE	1364	225	75	HONED FINISH TO ALL EXPOSED FACES, SAWN TO REMAINING, FACE 3 CHAMFERED.

**DECORATIVE GRANITE TRIM STONE SCHEDULE NOTES:**

- TO BE APPLIED TO FOUR 80 NICHE COLUMBARIA: ⒺA7 ⒺA8 ⒺA9 ⒺA10
- REFER TO L2.0 LOCATION PLAN  
TWO EXISTING, TWO TO BE INSTALLED
- ALL DIMENSIONS SHOWN ARE IN MILLIMETRES (mm).
- ALL STONE UNITS TO HAVE 225mm HEIGHT/WIDTH, BASE CUT TO FIT EXISTING GRADE FROM ON SITE MEASUREMENTS.

8 STONE SCHEDULE - DECORATIVE GRANITE TRIM TO EXISTING AND PROPOSED 80 NICHE COLUMBARIA  
L3.8 SCALE: Not to Scale

9 SCHEDULE FACE REFERENCE DIAGRAM  
L3.8 SCALE: Not to Scale



NOV 3 0 2018

Revision/Revision	Description/Description	Date/Date
1	100% CONSTRUCTION DRAWINGS	18/11/30

Client/client: Veterans Affairs Canada / Anciens Combattants Canada

Project title/Titre du projet: **ESQUIMALT, B.C. VETERANS DRIVE ESQUIMALT VETERANS CEMETERY COLUMBARIA PHASE 2**

Designed by/Concept par: **LEES + ASSOCIATES**

Drawn by/Dessiné par: **LEES + ASSOCIATES / DATE (2018.11.30) Alena Mikulica**

PSPC Project Manager/Administrateur de Projets TPSGC

Drawing title/Titre du dessin: **CONSTRUCTION DETAILS 80 NICHE COLUMBARIA DECORATIVE GRANITE TRIM**

Project No./No. du projet: **R.102470.001** Sheet/Fauille: **L3.8** Revision no./La Révision no.: **1**

