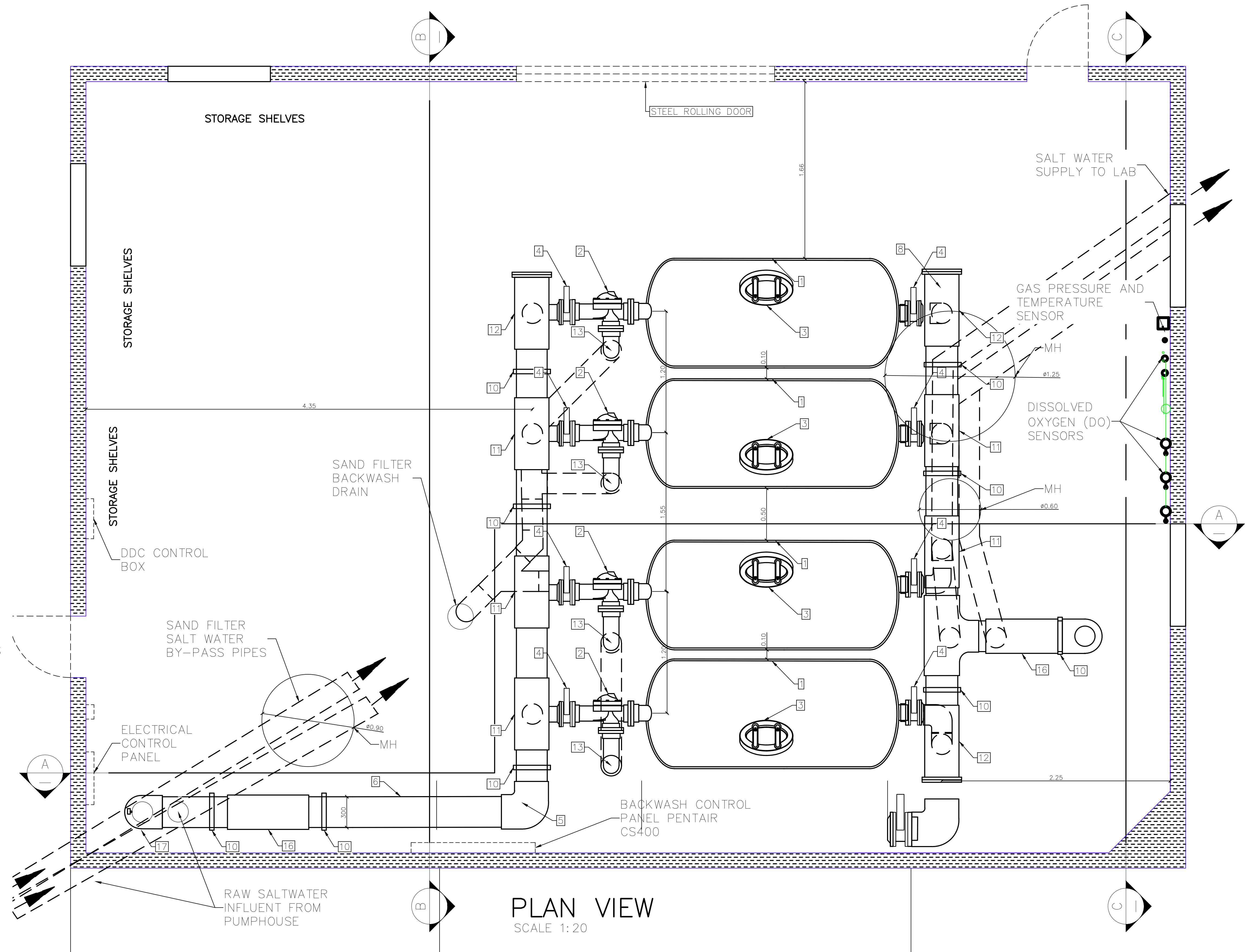


**MATERIAL LIST:**

1. PENTAIR STORK-HIGH RATE SAND FILTER, MODEL S-96
2. 150mm Ø 3-WAY VALVE WITH FLANGES
3. MANWAY VIEWPORT
4. 150mm PVC BUTTERFLY VALVE
5. 300mm 90° ELBOW SOCKET SCH 80
6. 300mm Ø PVC SCH 80 INFLUENT PIPE
7. 150mm Ø PVC SCH 80 INFLUENT/EFFLUENT PIPE
8. 300mm Ø PVC SCH 80 EFFLUENT PIPE
9. 300mm Ø PVC BUTTERFLY VALVE WITH FLANGE
10. PIPE SUPPORT STAND
11. PVC SCH 80 TEE 300mm x 300mm x 150mm S x S x S
12. PVC SCH 80 TEE 300mm x 300mm x 150mm S x S x CAPPED FLANGE
13. PVC SCH 80 TEE 150mm x 150mm x 150mm S x S x S
14. 300mm x 200mm PVC SCH 80 ELBOW
15. 150mm PVC SCH 80 ELBOW S x S
16. 300mm x 300mm x 200mm PVC SCH 80 TEE SOC x SOC x SOC
17. 300mm x 200mm PVC SCH 80 ELBOW S x S
18. 200mm PVC SCH 80 ELBOW S x S
19. 200mm PVC SCH 80 45° ELBOW S x S
20. 200mm PVC BUTTERFLY VALVE
21. FLANGE BY FLANGE CONNECTION

**GENERAL NOTES:**

1. DIMENSION PROVIDED FOR GUIDANCE ONLY
2. MAX FLOW PUMPED THROUGH SYSTEM IS 140 LPS (8,500 LPM)
3. DESIGN FLOW THROUGH FOUR TANKS IS 100 LPS (6,000 LPM)
4. VELOCITY IN HEADER PIPE AT 10 LPS IS EQUAL TO 1.6 M/S
5. COORDINATE SYSTEM SHUT OFFS WITH DFO OPERATIONAL STAFF
6. MAXIMUM TIME SYSTEM CAN BE UNOPERATIONAL IS 4 HRS



**PLAN VIEW**  
SCALE 1:20

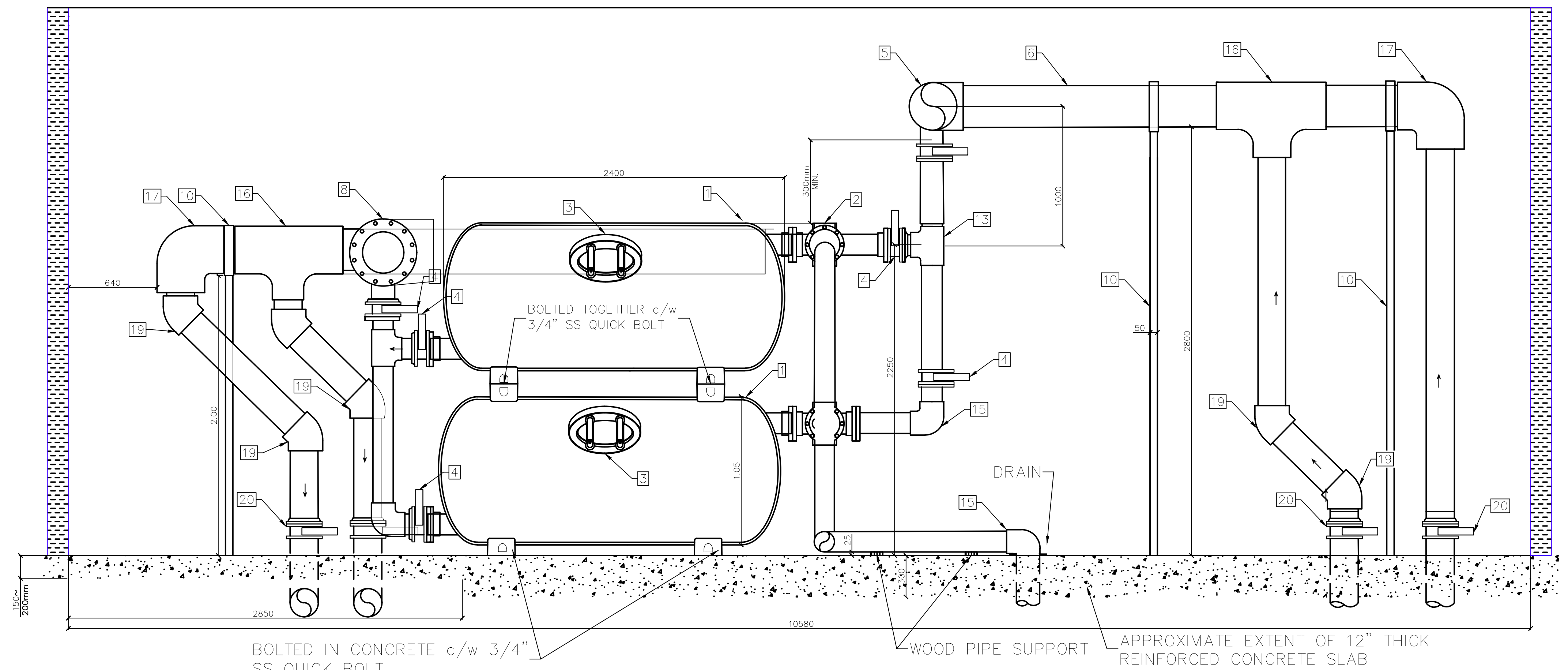
<p><b>FISHERIES AND OCEANS CANADA</b> REAL PROPERTY AND SAFETY AND SECURITY</p>		<p>DESIGNED SD</p>		<p>SCALE</p>
		<p>DRAWN NC</p>		
<p><b>WEST VANCOUVER LABORATORIES</b> SAND FILTER PLAN VIEW</p>		<p>CHECKED</p>		<p>START DATE</p> <p>2017-03-01</p>
		<p>RECOMMENDED</p>		<p>DRAWING NUMBER</p> <p>5426-1</p>
<p>DWG. NO.</p> <p>DRAWING REFERENCES</p>		<p>NOTES</p>		<p>APPROVED</p>
				<p>NO.</p> <p>DATE</p> <p>REVISIONS</p>
<p>1 2018-03-31 AS CONSTRUCTED</p>				

**MATERIAL LIST:**


1. PENTAIR STORK-HIGH RATE SAND FILTER, MODEL S-96
2. 150mm Ø 3-WAY VALVE WITH FLANGES
3. MANWAY VIEWPORT
4. 150mm PVC BUTTERFLY VALVE
5. 300mm 90° ELBOW SOCKET SCH 80
6. 300mm Ø PVC SCH 80 INFLUENT PIPE
7. 150mm Ø PVC SCH 80 INFLUENT/EFFLUENT PIPE
8. 300mm Ø PVC SCH 80 EFFLUENT PIPE
9. 300mm Ø PVC BUTTERFLY VALVE WITH FLANGE
10. PIPE SUPPORT STAND
11. PVC SCH 80 TEE 300mm x 300mm x 150mm S x S x S
12. PVC SCH 80 TEE 300mm x 300mm x 150mm S x S x CAPPED FLANGE
13. PVC SCH 80 TEE 150mm x 150mm x 150mm S x S x S
14. 300mm x 200mm PVC SCH 80 ELBOW
15. 150mm PVC SCH 80 ELBOW S x S
16. 300mm x 300mm x 200mm PVC SCH 80 TEE SOC x SOC x SOC
17. 300mm x 200mm PVC SCH 80 ELBOW S x S
18. 200mm PVC SCH 80 ELBOW S x S
19. 200mm PVC SCH 80 45° ELBOW S x S
20. 200mm PVC BUTTERFLY VALVE
21. FLANGE BY FLANGE CONNECTION

**GENERAL NOTES:**

1. DIMENSION PROVIDED FOR GUIDANCE ONLY
2. MAX FLOW PUMPED THROUGH SYSTEM IS 140 LPS (8,500 LPM)
3. DESIGN FLOW THROUGH FOUR TANKS IS 100 LPS (6,000 LPM)
4. VELOCITY IN HEADER PIPE AT 10 LPS IS EQUAL TO 1.6 M/S
5. COORDINATE SYSTEM SHUT OFFS WITH DFO OPERATIONAL STAFF
6. MAXIMUM TIME SYSTEM CAN BE UNOPERATIONAL IS 4 HRS



**SECTION A-A**  
SCALE 1:20

 <b>FISHERIES AND OCEANS CANADA</b> REAL PROPERTY AND SAFETY AND SECURITY	
<b>WEST VANCOUVER LABORATORIES</b> <b>SAND FILTER</b> <b>SECTION A-A</b>	
SCALE	
START DATE	2017-03-01
DRAWING NUMBER	<b>5426-2</b>

DWG. NO.	DRAWING REFERENCES	NOTES	NO.	DATE	REVISIONS

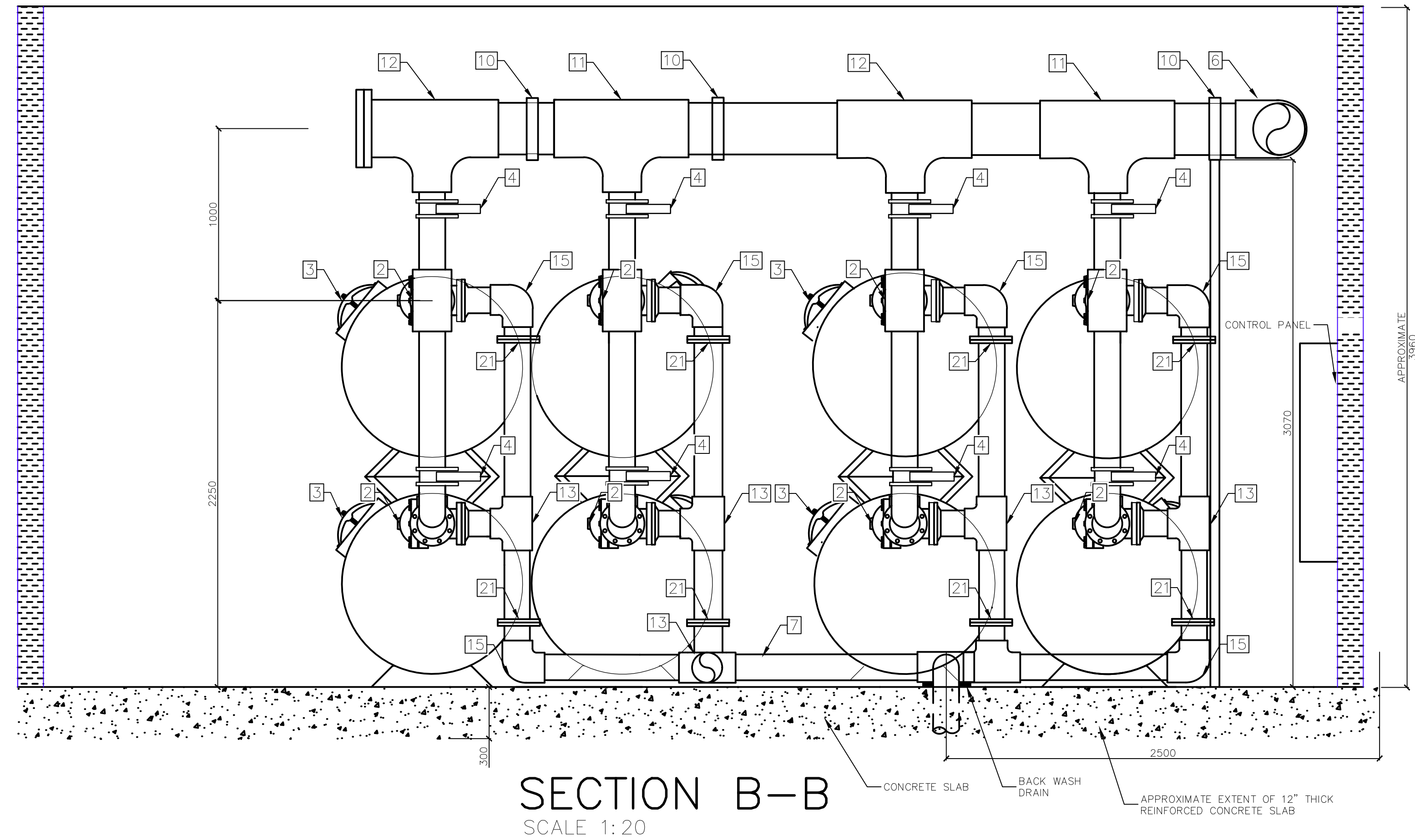
DESIGNED	SD
DRAWN	NC
CHECKED	
RECOMMENDED	
APPROVED	

**MATERIAL LIST:**

1. PENTAIR STORK-HIGH RATE SAND FILTER, MODEL S-96
2. 150mm Ø 3-WAY VALVE WITH FLANGES
3. MANWAY VIEWPORT
4. 150mm PVC BUTTERFLY VALVE
5. 300mm 90° ELBOW SOCKET SCH 80
6. 300mm Ø PVC SCH 80 INFLUENT PIPE
7. 150mm Ø PVC SCH 80 INFLUENT/EFFLUENT PIPE
8. 300mm Ø PVC SCH 80 EFFLUENT PIPE
9. 300mm Ø PVC BUTTERFLY VALVE WITH FLANGE
10. PIPE SUPPORT STAND
11. PVC SCH 80 TEE 300mm x 300mm x 150mm S x S x S
12. PVC SCH 80 TEE 300mm x 300mm x 150mm S x S x CAPPED FLANGE
13. PVC SCH 80 TEE 150mm x 150mm x 150mm S x S x S
14. 300mm x 200mm PVC SCH 80 ELBOW
15. 150mm PVC SCH 80 ELBOW S x S
16. 300mm x 300mm x 200mm PVC SCH 80 TEE SOC x SOC x SOC
17. 300mm x 200mm PVC SCH 80 ELBOW S x S
18. 200mm PVC SCH 80 ELBOW S x S
19. 200mm PVC SCH 80 45° ELBOW S x S
20. 200mm PVC BUTTERFLY VALVE
21. FLANGE BY FLANGE CONNECTION

**GENERAL NOTES:**

1. DIMENSION PROVIDED FOR GUIDANCE ONLY
2. MAX FLOW PUMPED THROUGH SYSTEM IS 140 LPS (8,500 LPM)
3. DESIGN FLOW THROUGH FOUR TANKS IS 100 LPS (6,000 LPM)
4. VELOCITY IN HEADER PIPE AT 10 LPS IS EQUAL TO 1.6 M/S
5. COORDINATE SYSTEM SHUT OFFS WITH DFO OPERATIONAL STAFF
6. MAXIMUM TIME SYSTEM CAN BE UNOPERATIONAL IS 4 HRS



**SECTION B-B**  
SCALE 1:20

						DESIGNED SD		<b>FISHERIES AND OCEANS CANADA</b> REAL PROPERTY AND SAFETY AND SECURITY		SCALE	
						DRAWN NC				WEST VANCOUVER LABORATORIES	
						CHECKED		SAND FILTER SECTION B-B		2017-03-01	
						RECOMMENDED				DRAWING NUMBER	
DWG. NO.		DRAWING REFERENCES		NOTES		APPROVED		5426-3			
						NO.				DATE	
						1		2018-03-31		AS CONSTRUCTED	