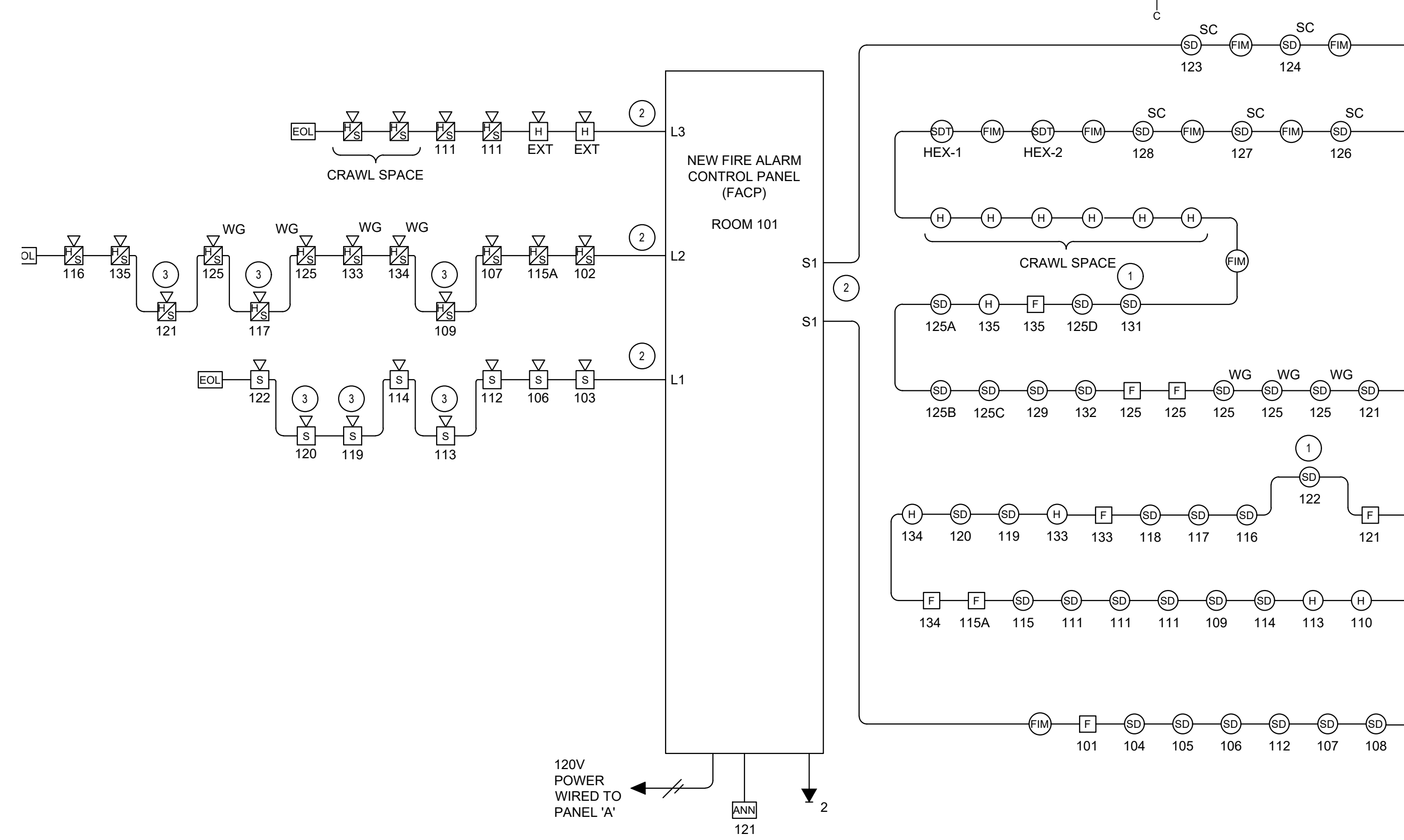


**ELECTRICAL KEYNOTES:**

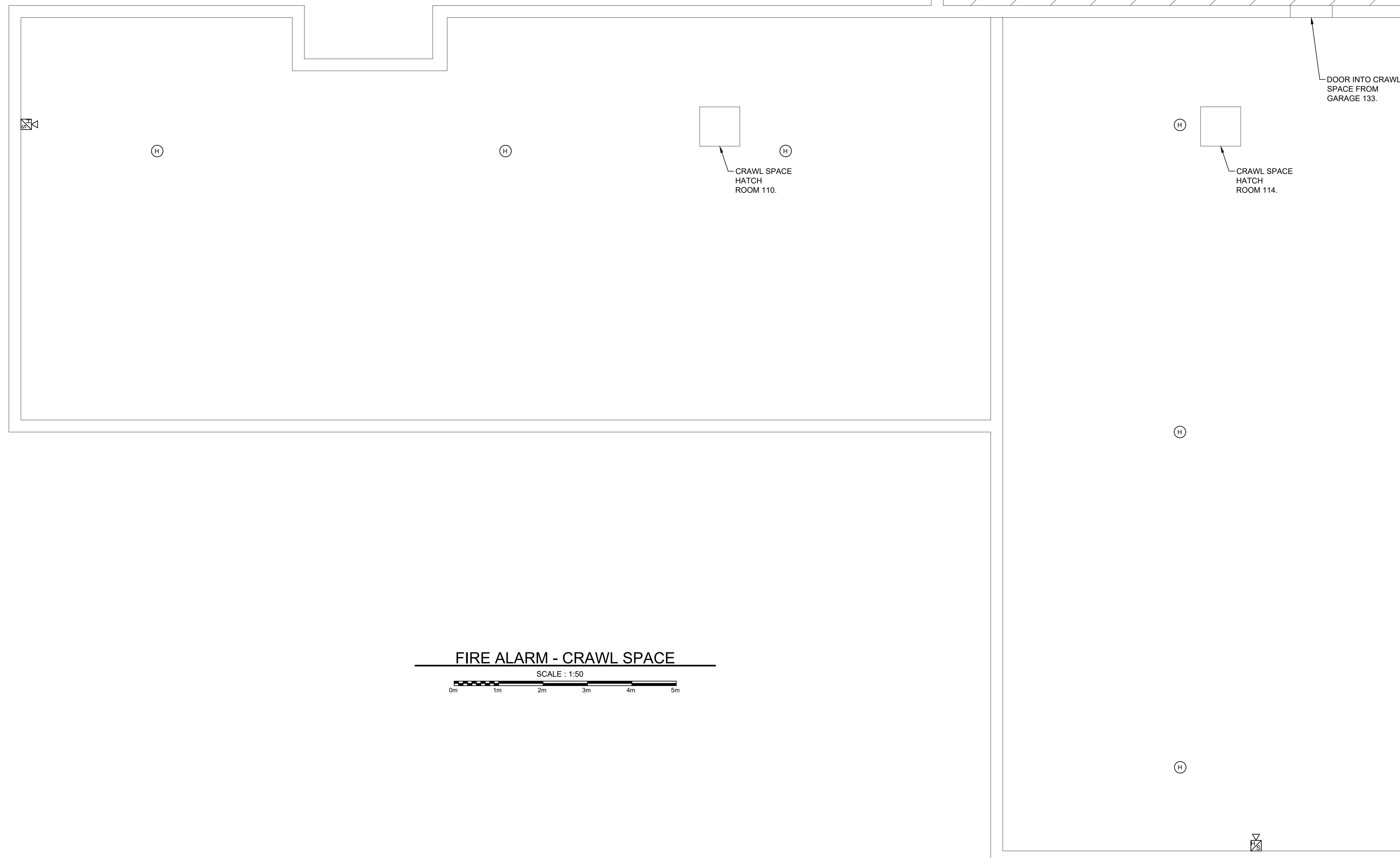
- 1 NEW INITIATING DEVICE WIRED INTO EXISTING INITIATING CIRCUIT.
- 2 DISCONNECT EXISTING INITIATING CIRCUITS AND NOTIFICATION CIRCUITS FROM EXISTING PANEL AND RE-CONNECT INTO NEW PANEL.
- 3 NEW SIGNALING DEVICE WIRED INTO EXISTING NOTIFICATION CIRCUIT.

**GENERAL NOTES:**

- 1. ALL DEVICES SHOWN ON PLANS ARE EXISTING UNLESS INDICATED OTHERWISE. EXISTING DEVICES TO BE REPLACED WITH NEW INCLUDING BUT NOT LIMITED TO SMOKE DETECTORS, HEAT DETECTORS, HORN/ STROBES, ETC. EXISTING WIRING TO BE RE-USED.
- 2. FIRE ALARM SINGLE LINE DIAGRAM DEVICE LAYOUT IS SHOWN DIAGRAMMATICALLY ONLY. ACTUAL PATH OF WIRING FROM DEVICE TO DEVICE MAY DIFFER ON SITE.

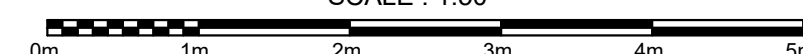


**FIRE ALARM SINGLE LINE DIAGRAM**



**FIRE ALARM - CRAWL SPACE**

SCALE : 1:50



NORTH

PERMIT OF PRACTICE  
 EXP SERVICES INC.  
 Signature: *Bill*  
 Date: NOVEMBER 26, 2018  
 PERMIT NUMBER: P483  
 NT/NU Association of Professional Engineers and Geoscientists



0	ISSUED FOR TENDER	NOV 26 2018
revisions		date

project: G.O.C.B PUBLIC SAFETY CAMBRIDGE BAY, NUNAVUT FIRE ALARM REPLACEMENT

drawing: FIRE ALARM AND POWER CRAWL SPACE

designed: MG	concp:
date: NOVEMBER 26, 2018	
drawn: CAM	dessine:
date: NOVEMBER 26, 2018	
approved: SRP	approve:
date: NOVEMBER 26, 2018	

Tender: Soumission  
 PWGSC Project Manager: Administrateur de projets TPSCG  
 project number: FRE-00248257-A1  
 no. du projet

drawing no.: E-2  
 no. du dessin