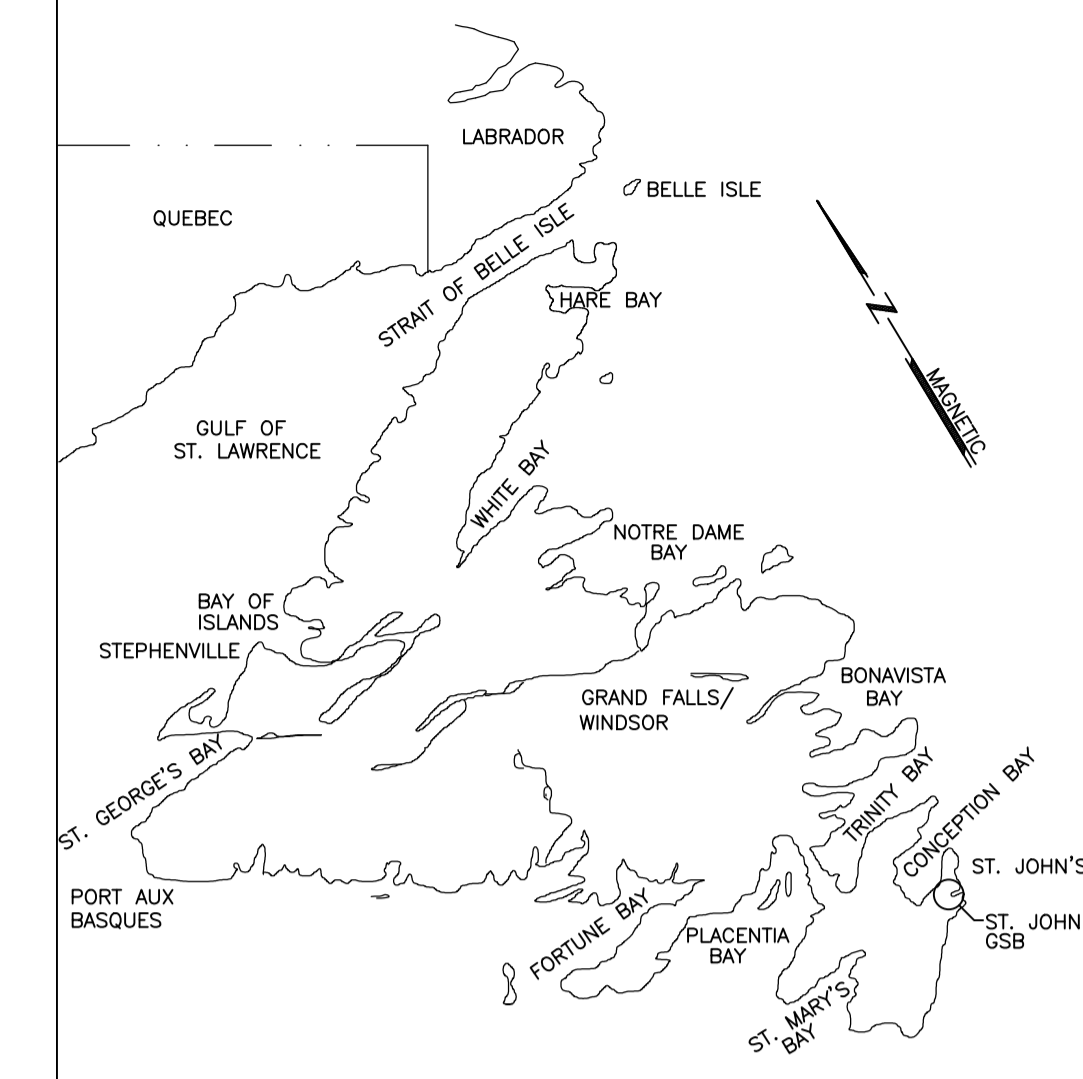


Fisheries Pêches
and Oceans et Océans
Real Property Services Immobiliers

GREENING OF GOVERNMENT OPERATIONS
ST. JOHN'S GENERAL AVIATION SERVICE BUILDING
ST. JOHN'S
COUNTY
NEWFOUNDLAND

PROJECT NO. F6879-189225

Canada 

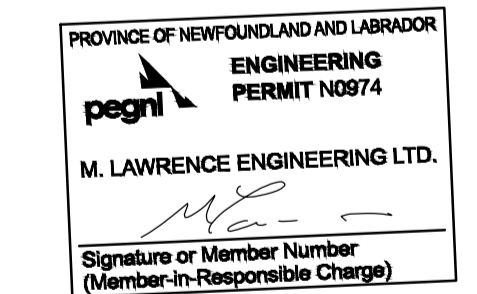


KEY LOCATION PLAN

M. LAWRENCE ENGINEERING LTD
Consulting Engineers
HALIFAX NS
902-222-5364
WWW.MLENGINEERING.CA

CONSULTANT

STAMP



1	ISSUED FOR TENDER	18/09/10	M.L.	M.L.
no.	revision	date	by	approved
no.	revision	date	par	approuvé

Project - projet
ST. JOHN'S GSB - GREENING OF GOVERNMENT OPERATIONS

Drawing - dessin
LEVEL 1 AND 2 - NEW MECHANICAL LAYOUT

drawn - dessiné	H. OSBORNE	designed - dessiné par	M. LAWRENCE
date - date	SEPTEMBER 2018	checked - vérifié	M. LAWRENCE
scale - échelle	AS SHOWN	approved for tender - approuvé pour l'offre	
project no. - projet no.	F6879-189225	drawing no. - no du dessin	01N1001H026
		sheet - feuille	ME-2

ELECTRICAL NOTES

- SUPPLY AND INSTALL NEW 30 AMP, 2 POLE BREAKER IN CLOSEST ELECTRICAL PANEL WITH AVAILABLE CAPACITY WITHIN THE TENANTS SPACE.
- SUPPLY AND INSTALL FEEDER (2#10 AWG R 90 + 1#12 AWG R90 BOND IN 19mm EMT) FROM PANEL TO A NEMA L6-30P, 30 AMP, 208 VOLT, 1 PHASE TWIST LOCK RECEPTACLE TO DSTRAT FAN CONTROLLER.
- SEE ALSO DETAIL 2/ME3

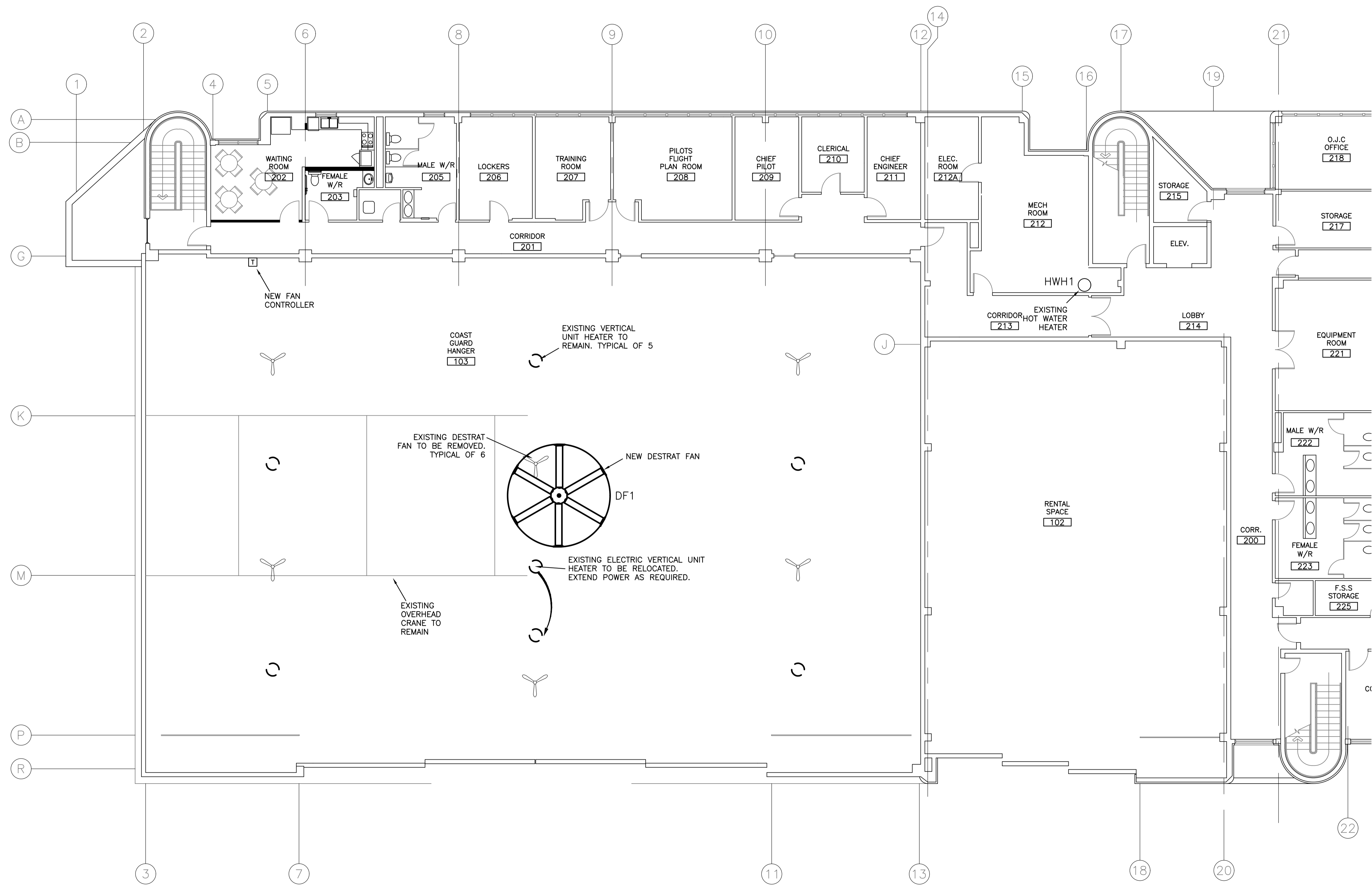
EQUIPMENT SCHEDULE

DF1 - DESTRATIFICATION CEILING FAN
BIGGAS FAN MODEL POWERFOIL X3.0
PFX3-16, 4877mm DIA. FAN, 99 RPM
MAX. SPEED, 1.1 KW MOTOR, 208/1/60,
30 AMP MOCF, 120 KG WEIGHT, C/W
SMART SENSE TECHNOLOGY CONTROLLER,
STANDARD MOUNTING OPTION.

CLEARANCES:
DISTANCE FROM CEILING: 1.8m
DISTANCE FROM FLOOR: 3m
DISTANCE FROM OBSTRUCTION AND BUILDING STRUCTURE: 0.61m

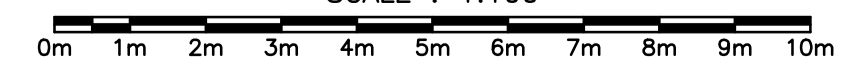
- FAN MUST BE GEAR-DRIVEN
- FAN TO USE A BALDOR MOTOR
- THE FAN GEARBOX SHALL BE A NITROSEAL DRIVE, AND SHALL INCLUDE A HIGH-EFFICIENCY, HERMETICALLY SEALED, NITROGEN-FILLED, OFFSET HELICAL GEAR REDUCER WITH 11 ARC MINUTES OF BACKLESH OR LESS OVER THE LIFE OF THE UNIT
- FAN TO BE EQUIPPED WITH A DELTA VFD
- FAN TO BE BACKED WITH A 15 YEAR NON-PRORATED WARRANTY
- FAN TO INCLUDE 8 AIRFOILS, EACH EQUIPPED WITH AIRFENCE TECHNOLOGY TO OPTIMIZE PERFORMANCE

- FAN EQUIPPED WITH C-FACE MOTOR ADAPTER FOR EASY ACCESS (IN THE CASE OF AN ISSUE OR WARRANTY CLAIM, MOTOR CAN BE REMOVED/REPLACED WITHOUT HAVING TO TAKE DOWN THE FAN)
- SMART SENSE AUTOMATED CONTROL SYSTEM (WITH TEMPERATURE SENSORS) ARE TO BE INCLUDED AS AN OPTIONAL CONTROL SYSTEM WITH EACH FAN, PROVIDING THE OPPORTUNITY TO OPTIMIZE PERFORMANCE FOR SUMMER AND WINTER OPERATION.

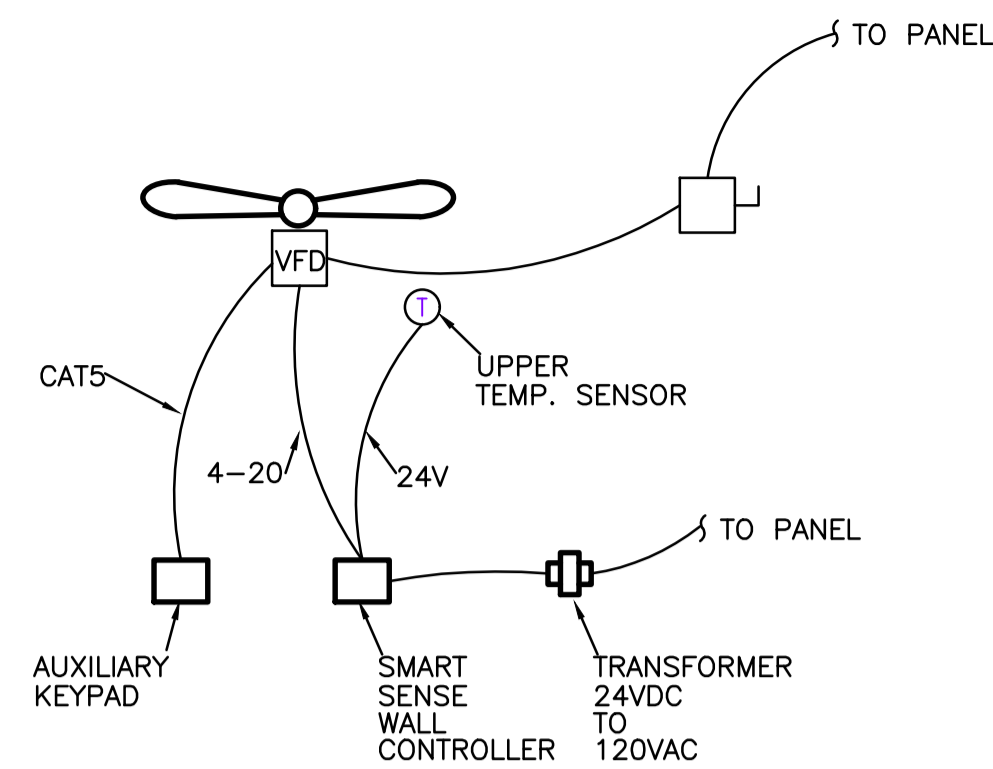


MECHANICAL - LEVEL 1

SCALE : 1:100

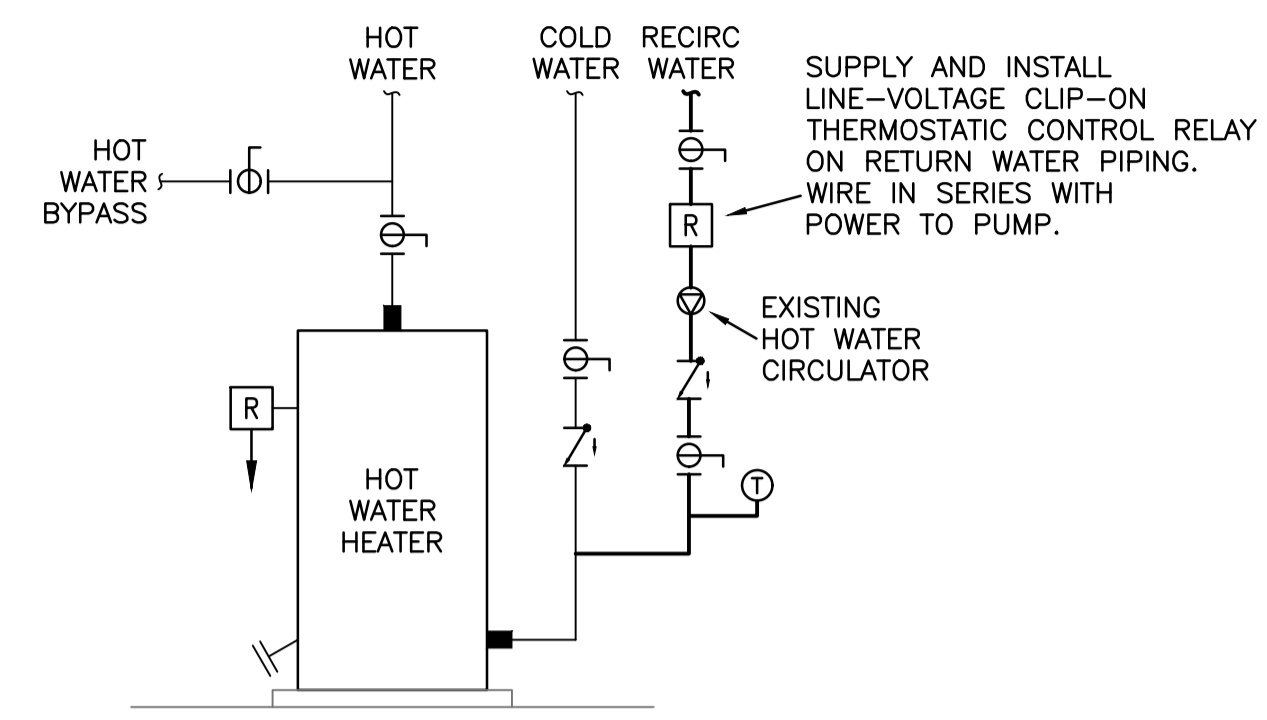


1
ME2



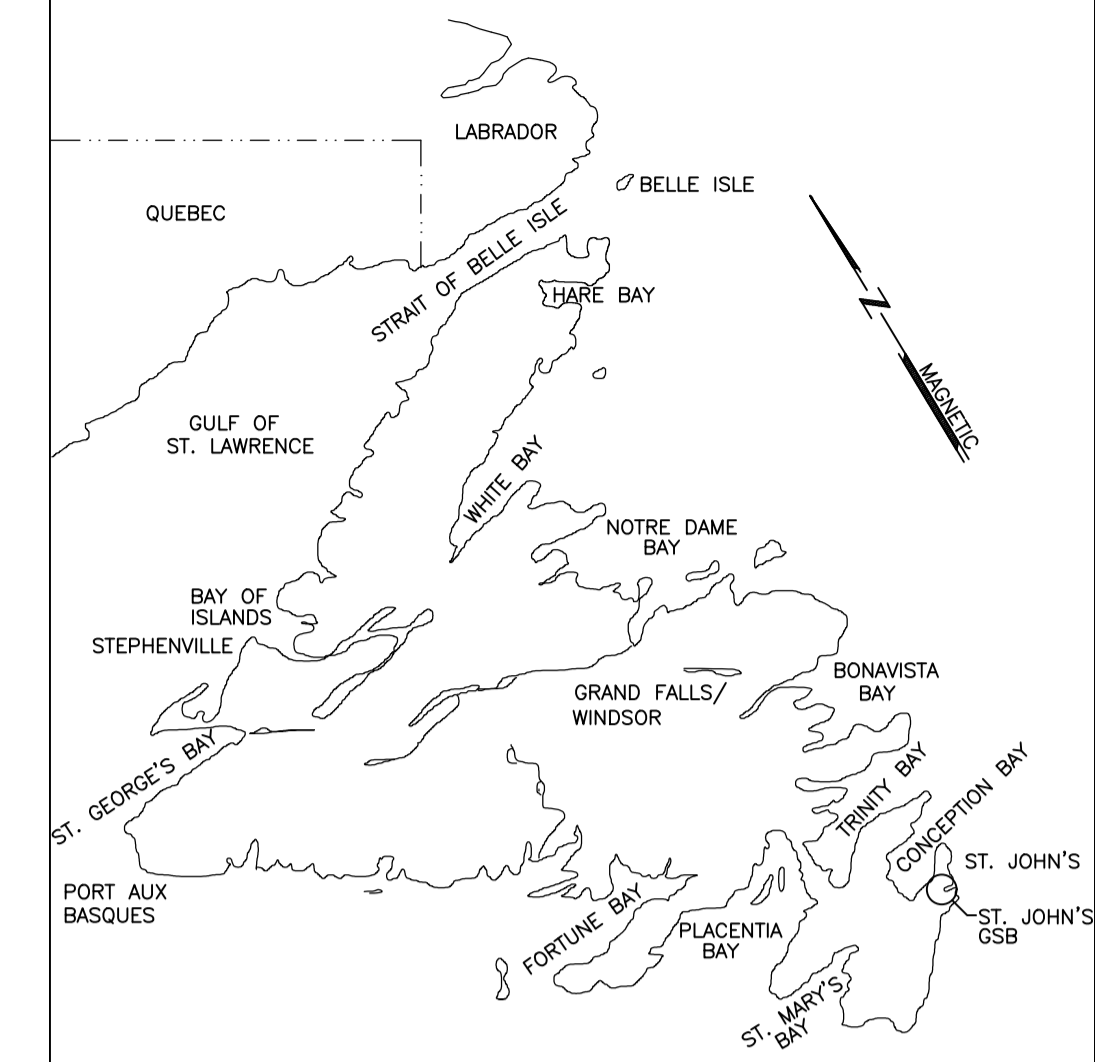
FAN WIRING DIAGRAM

1
ME3



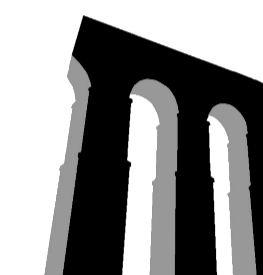
EXISTING HOT WATER HEATER SCHEMATIC

2
ME3



KEY LOCATION PLAN

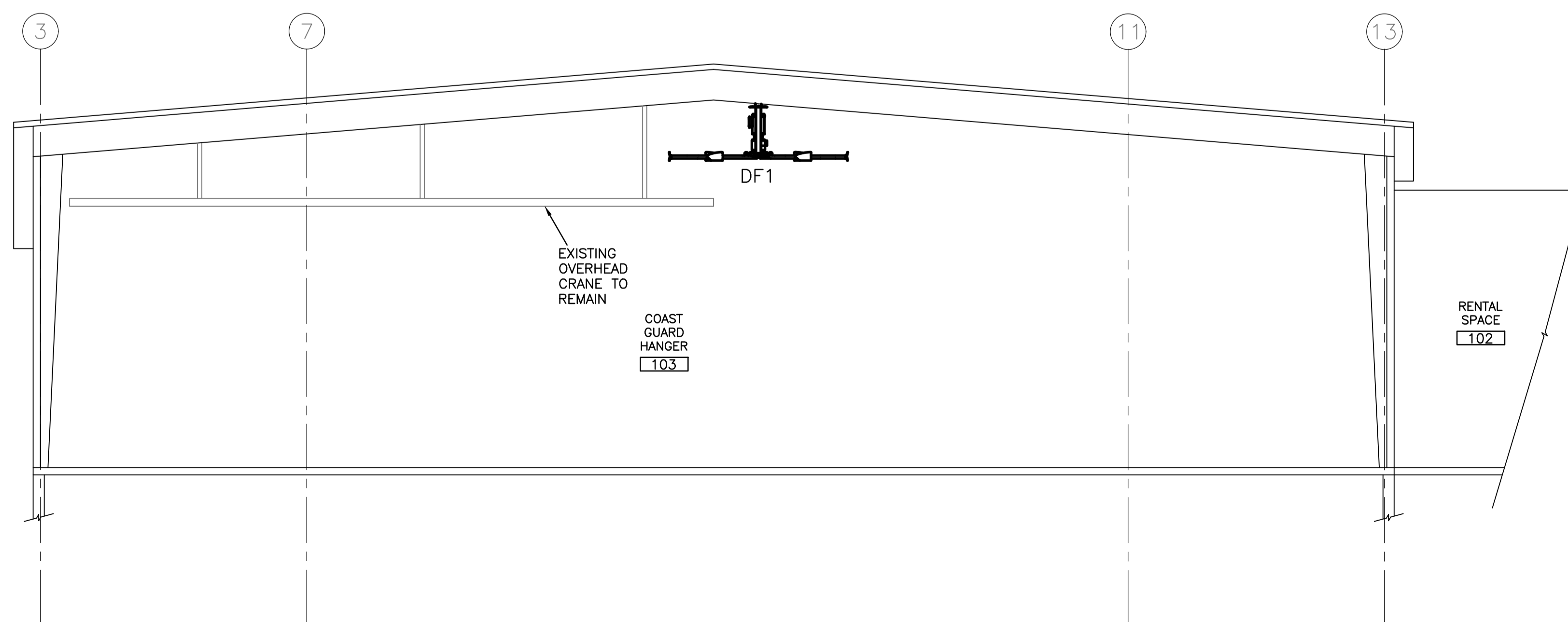
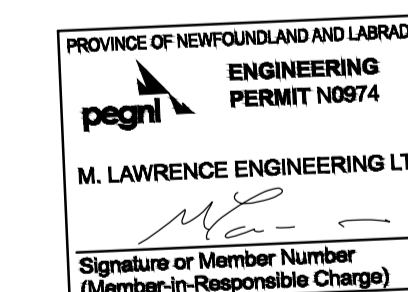
M. LAWRENCE ENGINEERING LTD



Consulting Engineers
HALIFAX NS
902-222-5364
WWW.MLENGINEERING.CA

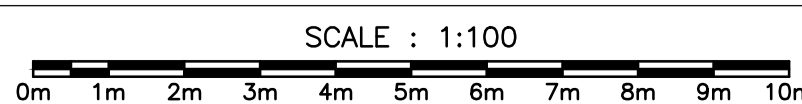
CONSULTANT

STAMP



MECHANICAL - CROSS SECTION

3
ME3



1	ISSUED FOR TENDER	18/09/10	M.L.	M.L.
no.	revision	date	by	approved
no.	revision	date	par	approuve

Project - projet
ST. JOHN'S GSB - GREENING OF GOVERNMENT OPERATIONS

Drawing - dessin
NEW MECHANICAL DETAILS

drawn - dessine	H. OSBORNE	designed - dessine par	M. LAWRENCE
date - date	SEPTEMBER 2018	checked - verifie	M. LAWRENCE
scale - echelle	AS SHOWN	approved for tender - approuve pour l'offre	
project no. - projet no.	F6879-189225	drawing no. - no du dessin	01N1001H026
		sheet - feuille	ME-3