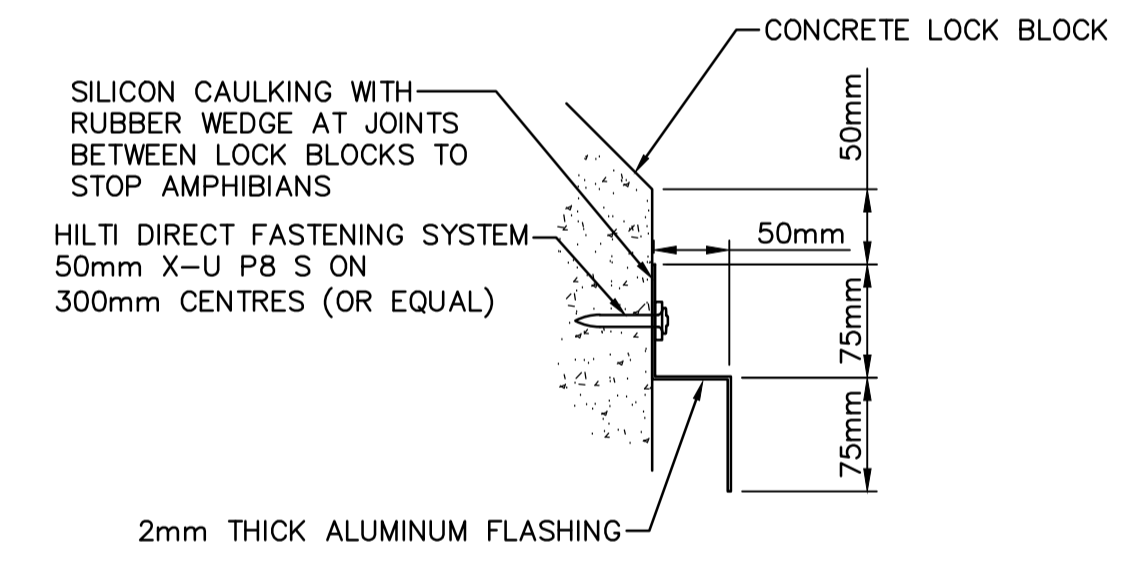
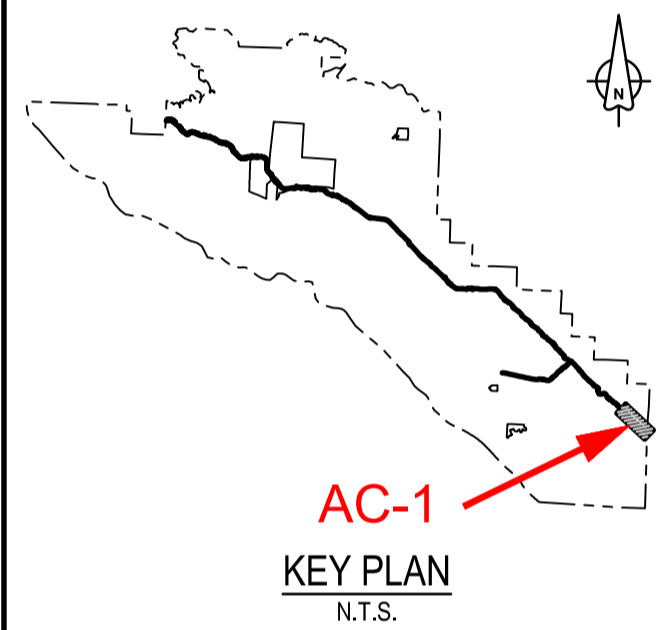
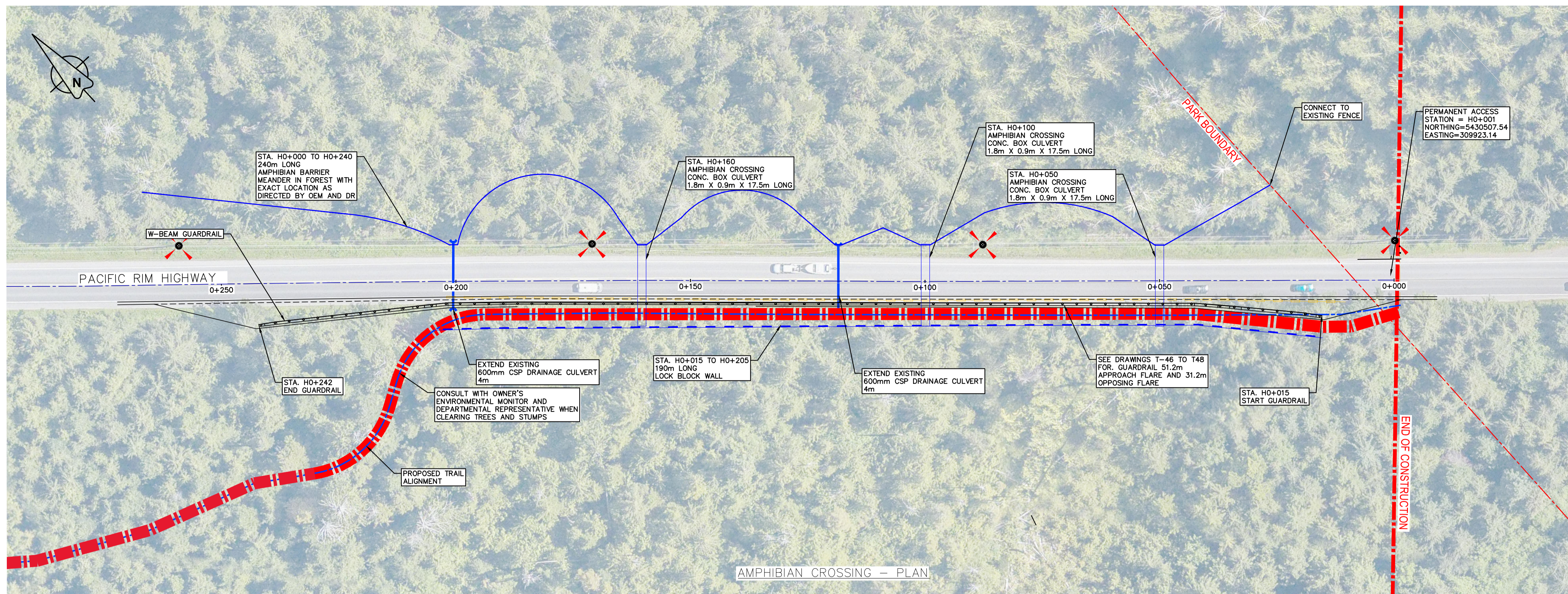


PARSONS



Revision/Description	Date/Date
2	ISSUED FOR TENDER 18/12/2018
1	ISSUED FOR TENDER 19/11/2018
0	ISSUED FOR TENDER 27/10/2017

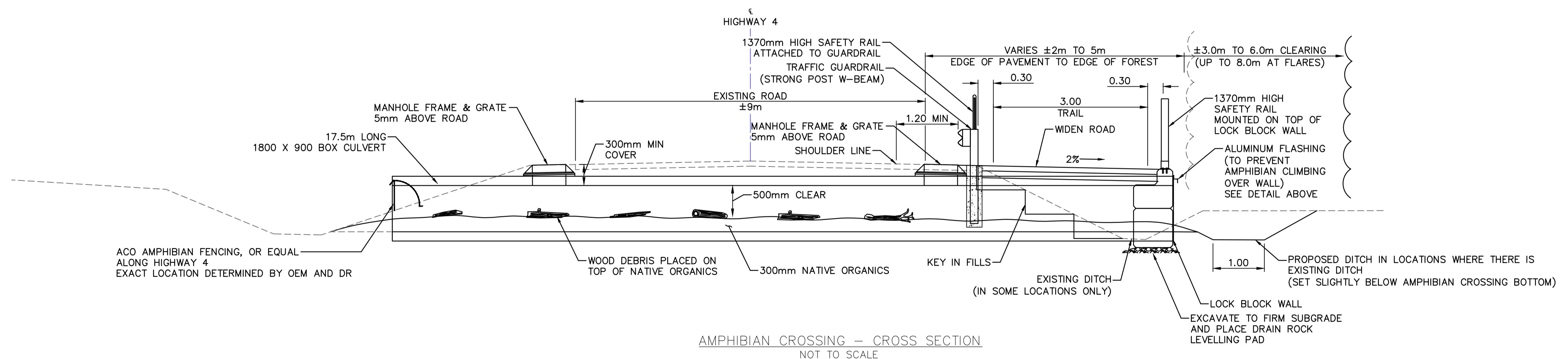
Parks Canada L'Agence Parcs
Agency Canada
Western and Northern Region Ouest et Nord du Canada

Project title/Titre du projet
TOFINO
PACIFIC RIM NATIONAL PARK RESERVE
ᑎᐱᓂᓕᓴᓴ ᓂᐱᓴᓴ
"Going in the right direction on the trail"

Designed by/Concept par
DON CHALMERS / 2017-06
Drawn by/Dessiné par
DAVID COX / 2017-11
PCA Project Manager/Technical Authority
Administrateur de Projets APC
JACKIE HICKS

Drawing title/Titre du dessin
ᑎᐱᓂᓕᓴᓴ ᓂᐱᓴᓴ (Ups-cheek ta-shee)
"Going in the right direction on the trail"
CONSTRUCTION PLAN
AMPHIBIAN CROSSING
HWY STA H0+000 TO H0+290

Project No./No. du projet	Sheet/Fauille	Revision no./La Révision no.
PCA #1522	AC-1 OF	2



D:\V\0303121 - PWSC - 2018-19\PACIFIC TRAVEL\TRAIL\0303121-PT-SHEETS AC-1, W-14.1 - WCA AMPHIBIAN CROSSING.DWG PLOTTED ON 2018/12/18 1:58pm BY P004479C

