

Revision/Revision	Description/Description	Date/Date
2	ISSUED FOR TENDER	8/12/2018
1	ISSUED FOR TENDER	5/11/2017
0	ISSUED FOR TENDER	5/10/2017

Client/Client	Parks Canada Agency / L'Agence Parcs Canada
	Western and Northern Region / Ouest et Nord du Canada

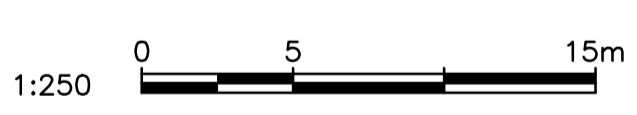
Project title/Titre du projet
TOFINO
PACIFIC RIM NATIONAL PARK RESERVE
ᑎᐱᓂᑦᑕᑦ ᑎᐱᓂᑦᑕᑦ
(Ups-cheek ta-shee)
“Going in the right direction on the trail”

Designed by/Concept par
DON CHALMERS / 2016-11

Drawn by/Dessiné par
JACKIE TAN / 2017-02
 PCA Project Manager/Technical Authority
 Administrateur de Projets APC
JACKIE HICKS

Drawing title/Titre du dessin
ᑎᐱᓂᑦᑕᑦ ᑎᐱᓂᑦᑕᑦ (Ups-cheek ta-shee)
“Going in the right direction on the trail”
TRAIL DESIGN
SITE SANDHILL - WALL / FILL SLOPE
PLAN
WICK ROAD STA 2+600

Project No./No. du projet PCA #1522	Sheet/Feuille W-11.1 OF 5	Revision no./La Révision no. 2
---	--	--

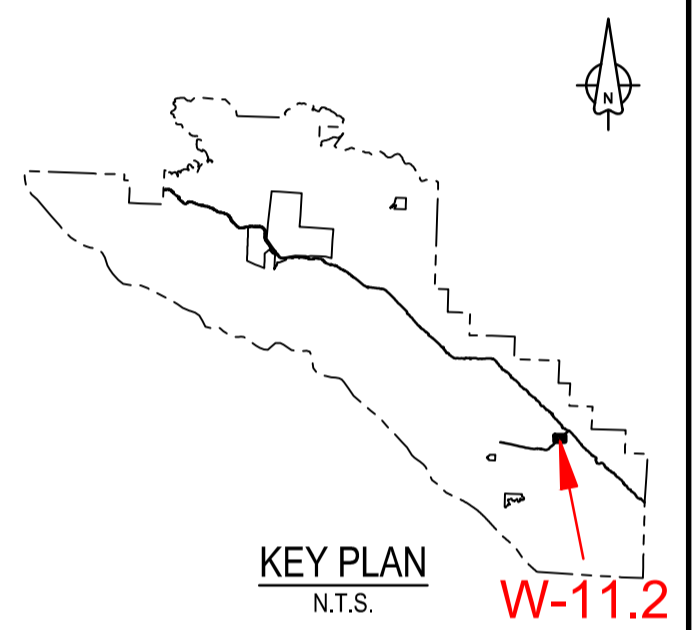
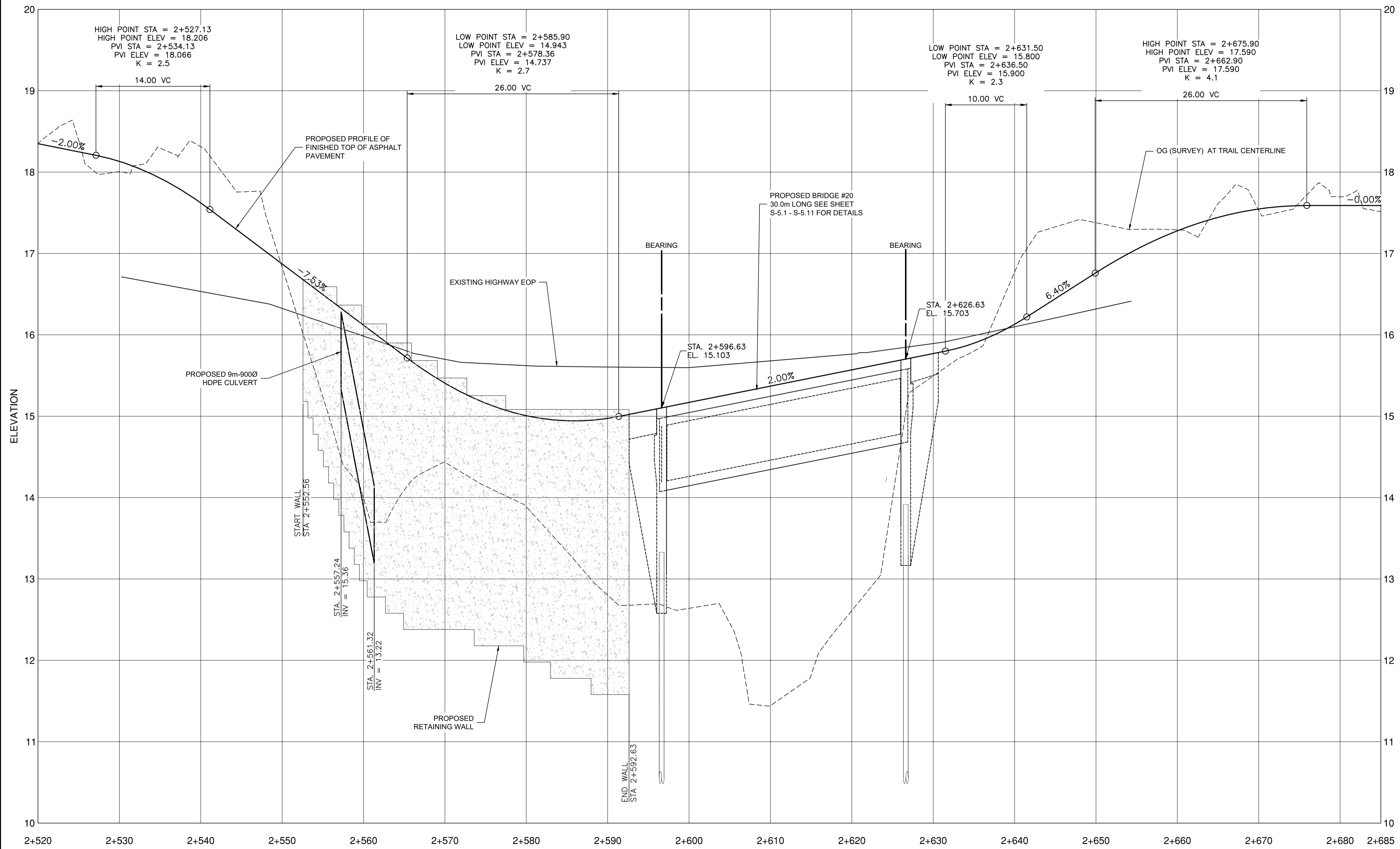


LEGEND

EXISTING	PROPOSED
EDGE OF PAVEMENT	EDGE OF TRAIL
SHOULDER OF HIGHWAY	CONCRETE ROADSIDE BARRIER
CONCRETE ROADSIDE BARRIER	STEEL PIPE HANDRAIL
TOE OF SLOPE	RETAINING WALL
TOP OF BANK	TOE OF CUT/FILL
EDGE OF CREEK/DITCH	CENTER OF CREEK/DITCH
CENTER OF CREEK/DITCH	EXTEND OF CUT/FILL
SLOUGH	CLASS 10 RIPRAP
UTILITY POLE	

NOTES:

1. SURVEY DATA IS BASED UPON THE UTM NAD83 COORDINATE SYSTEM.
2. THE CONTRACTOR SHALL ADHERE TO ALL ENVIRONMENTAL REGULATIONS AS SPECIFIED IN THE CONTRACT.
3. THE FINAL TRAIL ALIGNMENT SHALL BE ESTABLISHED IN THE FIELD BY DEPARTMENTAL REPRESENTATIVE.
4. EXACT LOCATIONS AND SIZES OF RETAINING WALLS SHOWN IN PLAN TO BE CONFIRMED IN FIELD BY DEPARTMENTAL REPRESENTATIVE.
5. FOR TYPICAL TRAIL SECTIONS SEE DRAWING T-40.1 AND T-40.2.
6. FOR HAND RAILS AND ACCESS BARRIERS SEE DRAWING T-49.1 AND T-49.2.
7. THE CONTRACTOR MUST NOT LOCATE ANY EQUIPMENT, LABOUR OR MATERIALS WITHIN THE FIRST NATION RESERVE BOUNDARIES.
8. RETAINING WALLS SHALL BE ENVIROGRID OR SIMILAR APPROVED
9. PROTECT NEW SLOPES WITH EROSION CONTROL MATTING.
10. RETAINING WALL STATIONING IS INDEPENDENT OF TRAIL STATIONING.
11. DRAINAGE CULVERTS TO BE IN ACCORDANCE WITH DRAWING D-3 & D-5.
12. GEOTECHNICAL DESIGN PARAMETERS INCLUDED ON DRAWING "FINAL GEOTECHNICAL SITE ASSESSMENT - PHASE 3" BY WOOD PLC REPORT DATED DECEMBER, 2018.
12. FOR DETAILS OF ROADSIDE BARRIERS AND FLARES SEE DRAWING T-46.
13. POSTED HIGHWAY SPEED 80 km/hr.



Revision/	Description/Description	Date/Date
2	ISSUED FOR TENDER	8/12/2016
1	ISSUED FOR TENDER	50/11/2017
0	ISSUED FOR TENDER	50/10/2017

Client/Client	Parks Canada Agency	L'Agence Parcs Canada
	Western and Northern Region	Ouest et Nord du Canada

Project title/Titre du projet
TOFINO
PACIFIC RIM
NATIONAL PARK RESERVE
ᑕᐱᓂᓕᓴᓴ ᓂᐱᓴᓴ
(Ups-cheek ta-shee)
"Going in the right
direction on the trail"

Designed by/Concept par
DON CHALMERS / 2016-11

Drawn by/Dessiné par
JACKIE TAN / 2017-02

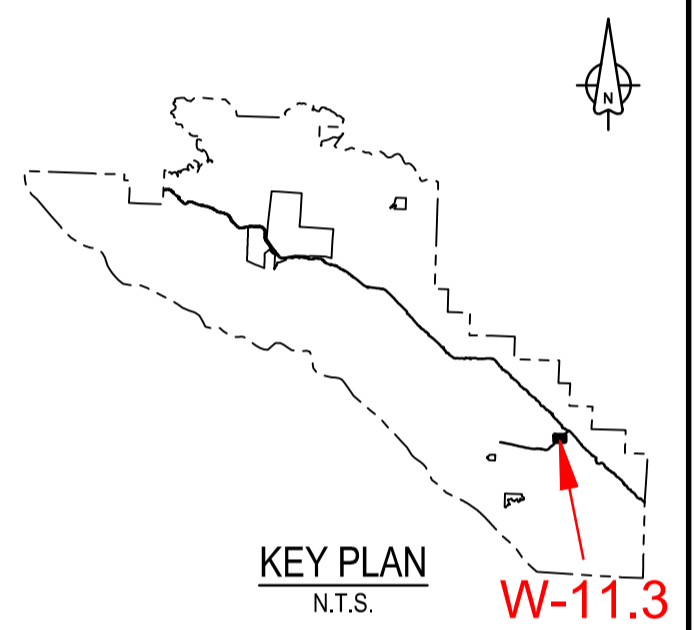
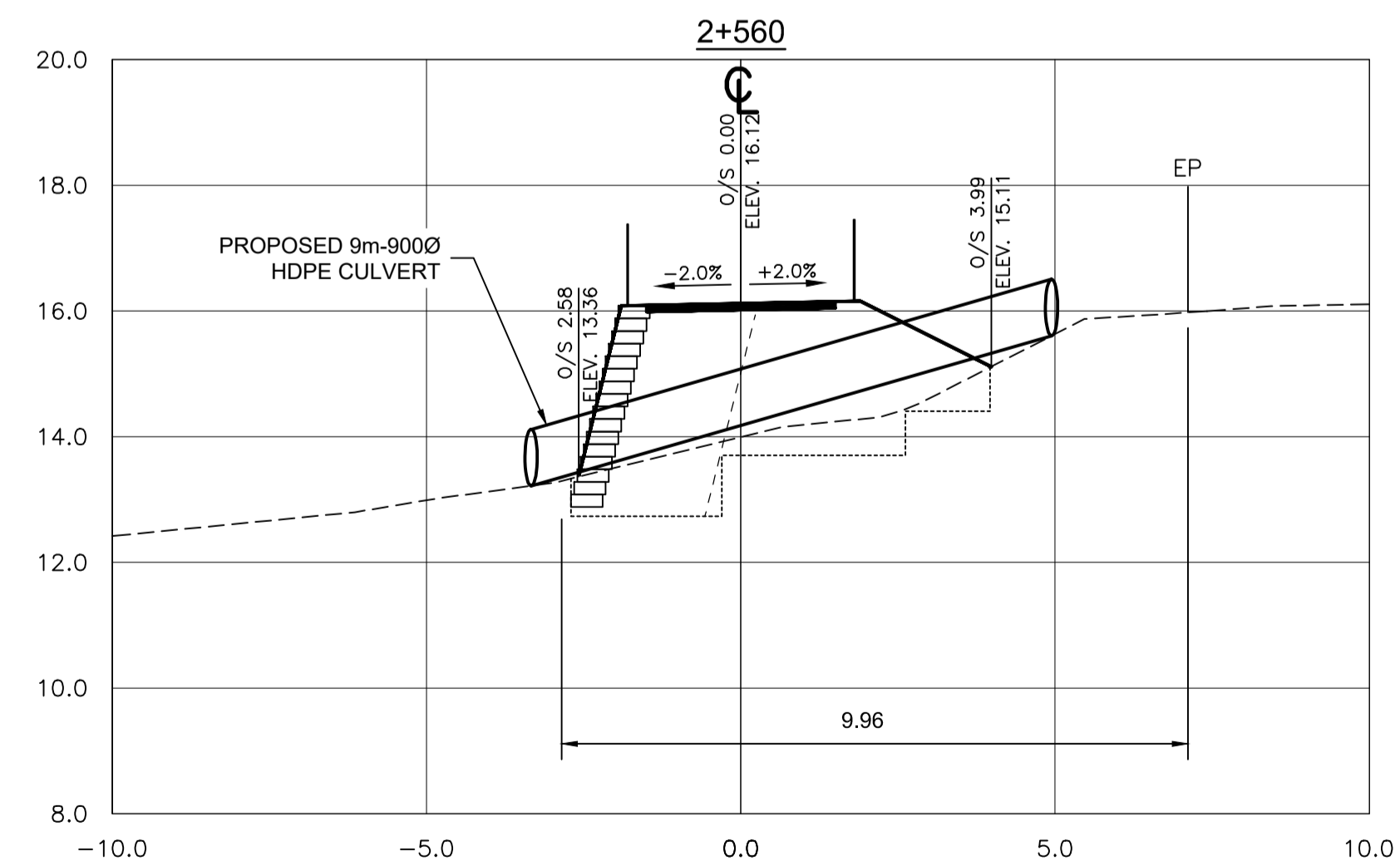
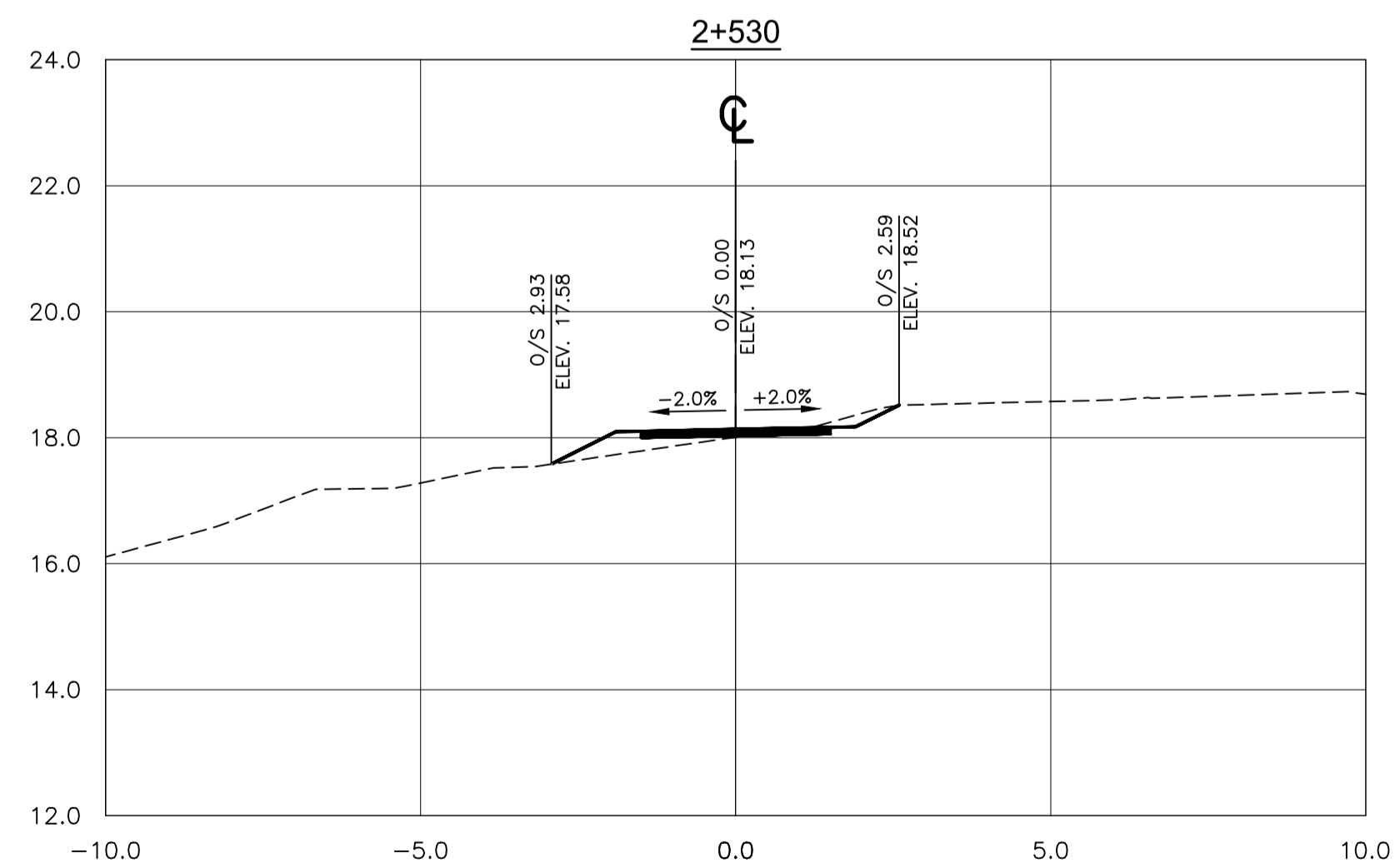
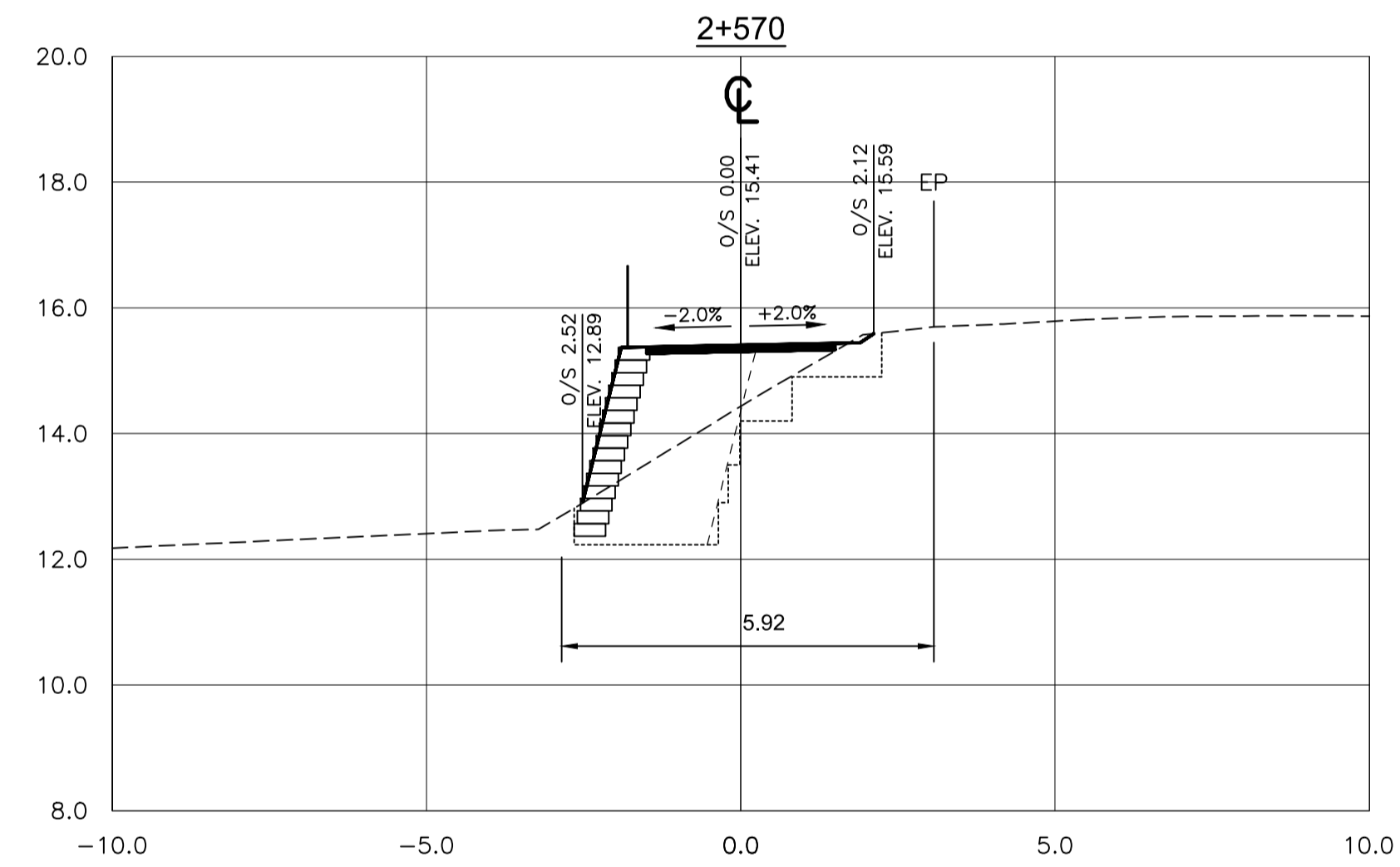
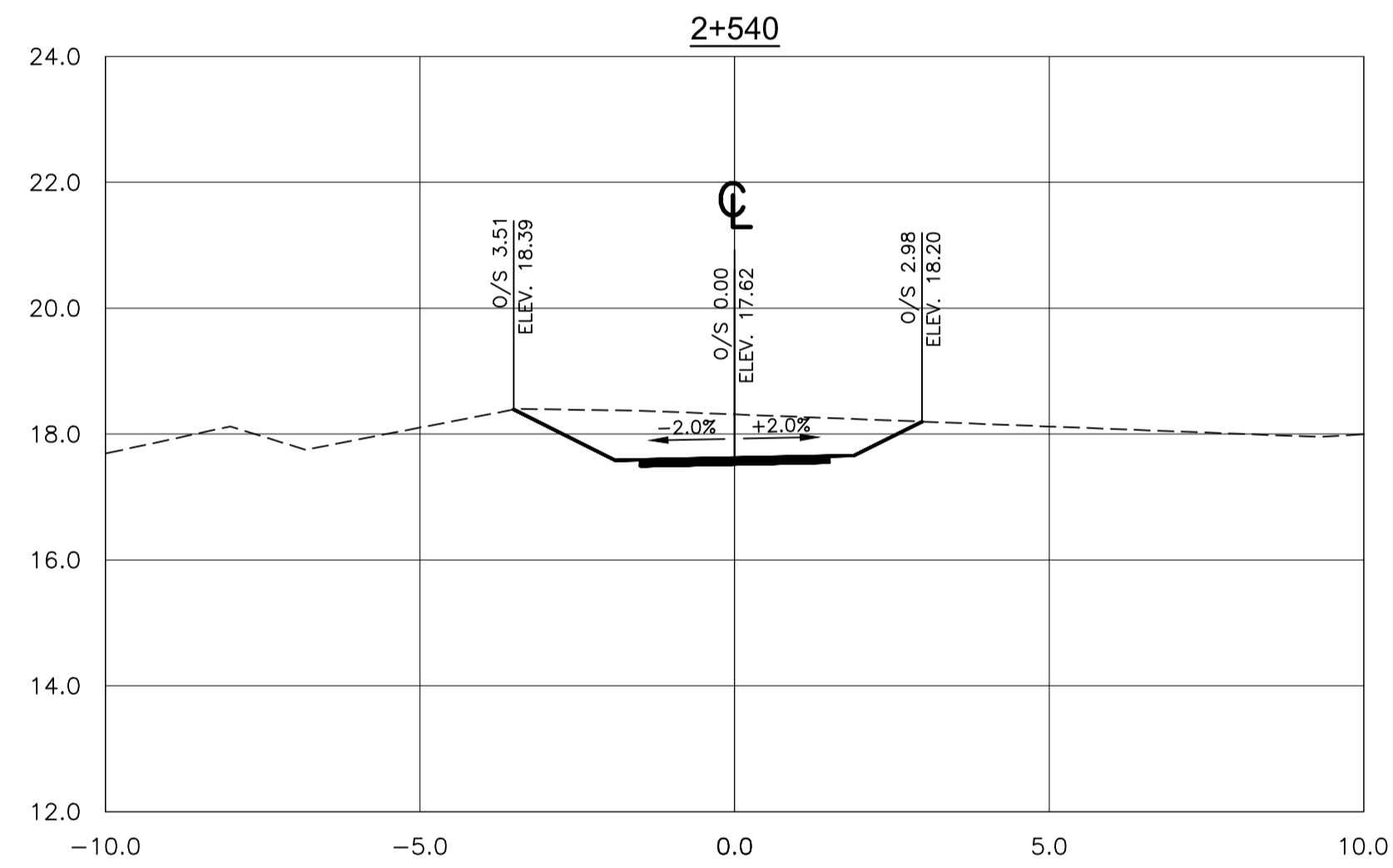
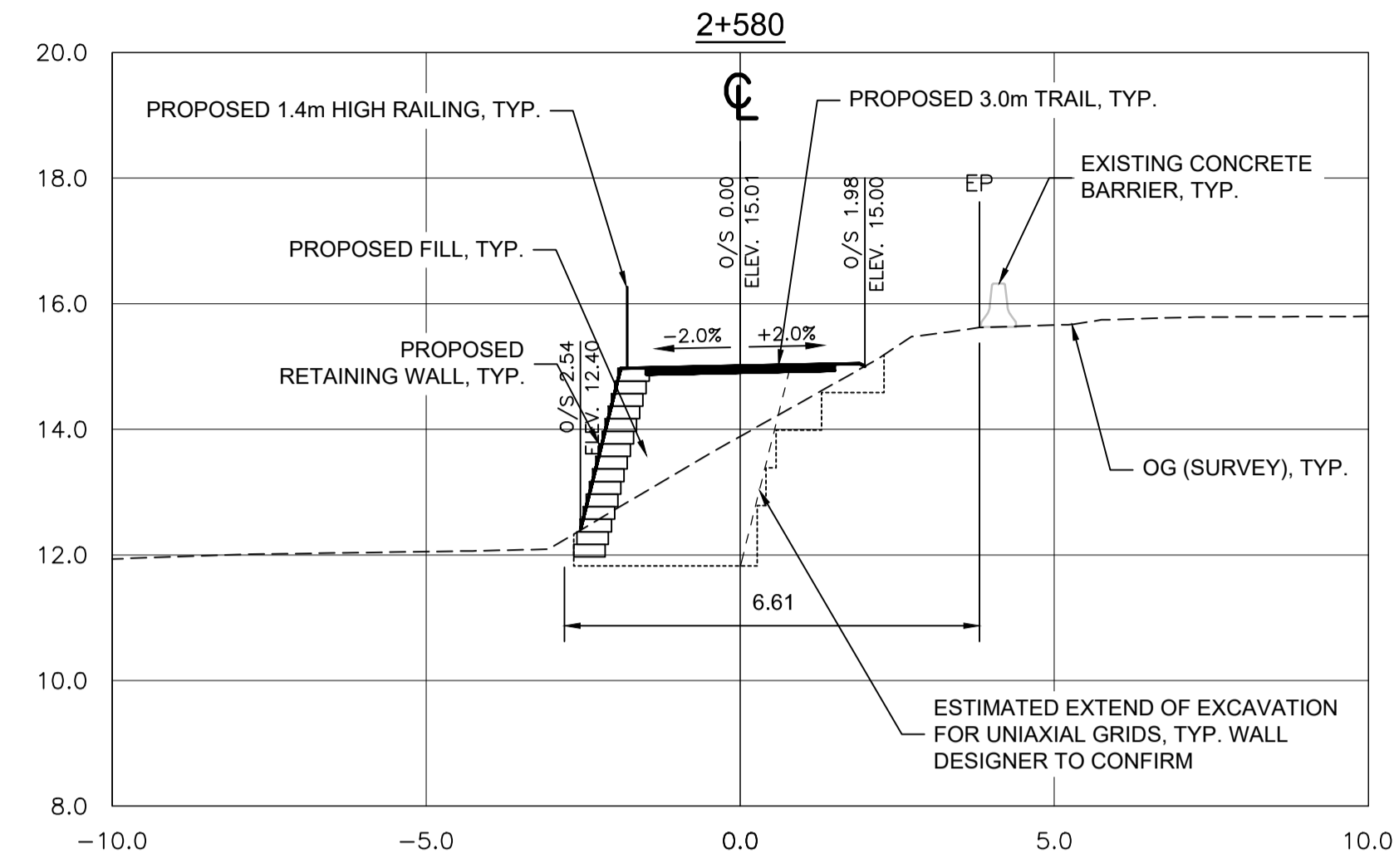
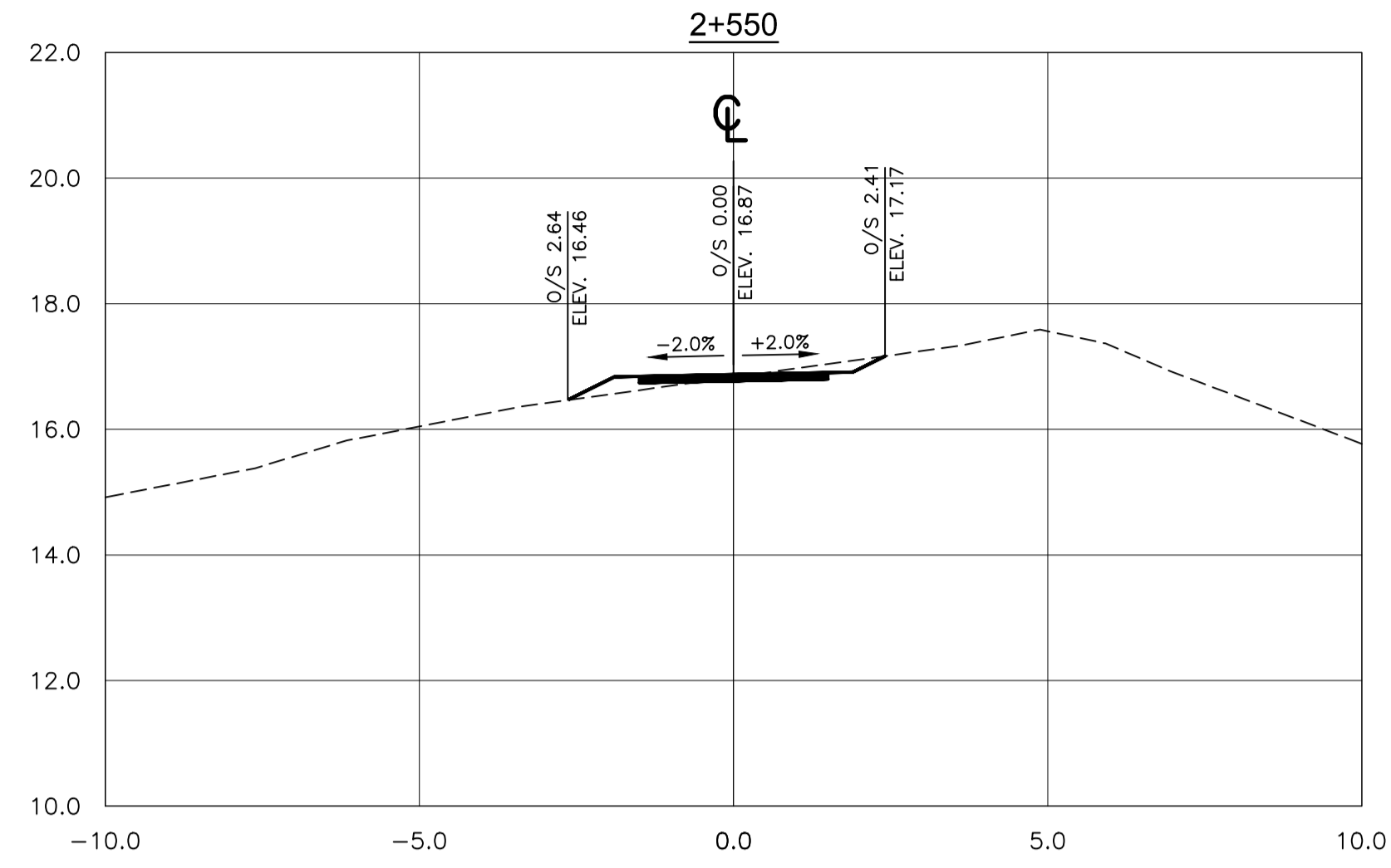
PCA Project Manager/Technical Authority
Administrateur de Projets APC
JACKIE HICKS

Drawing title/Titre du dessin
ᑕᐱᓂᓕᓴᓴ ᓂᐱᓴᓴ (Ups-cheek
ta-shee)
"Going in the right direction on the
trail"
TRAIL DESIGN
SITE SANDHILL - WALL / FILL SLOPE
PROFILE

Project No./No. du projet	Sheet/Feuille	Revision no./La Révision no.
PCA #1522	W-11.2	2
	OF 5	

2016/03/12 - PWSC - SA - 2016 - TOFINO - TRAIL DESIGN - SANDHILL - RETAINING WALL - SHEETS W-11 - PROMOTED - SANDHILL-RETAINING WALL - PLOTTED ON 2016/12/18 2:35pm BY A044786





Revision/	Description/Description	Date/Date
2	ISSUED FOR TENDER	8/12/2018
1	ISSUED FOR TENDER	50/11/2017
0	ISSUED FOR TENDER	50/10/2017

Client/Client
 Parks Canada L'Agence Parcs
 Agency Canada
 Western and Northern Region Ouest et Nord du Canada

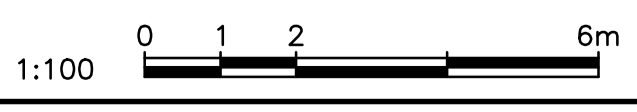
Project title/Titre du projet
TOFINO
PACIFIC RIM NATIONAL PARK RESERVE
ᑕᐱᓂᓕᓕᓕᓕ ᓂᓕᓕᓕ
(Ups-cheek ta-shee)
"Going in the right direction on the trail"

Designed by/Concept par
DON CHALMERS / 2016-11
 Drawn by/Dessiné par
JACKIE TAN / 2017-02
 PCA Project Manager/Technical Authority
 Administrateur de Projets APC
JACKIE HICKS

Drawing title/Titre du dessin
ᑕᐱᓂᓕᓕᓕ ᓂᓕᓕᓕ (Ups-cheek ta-shee)
"Going in the right direction on the trail"
TRAIL DESIGN
SITE SANDHILL - WALL / FILL SLOPE SECTIONS

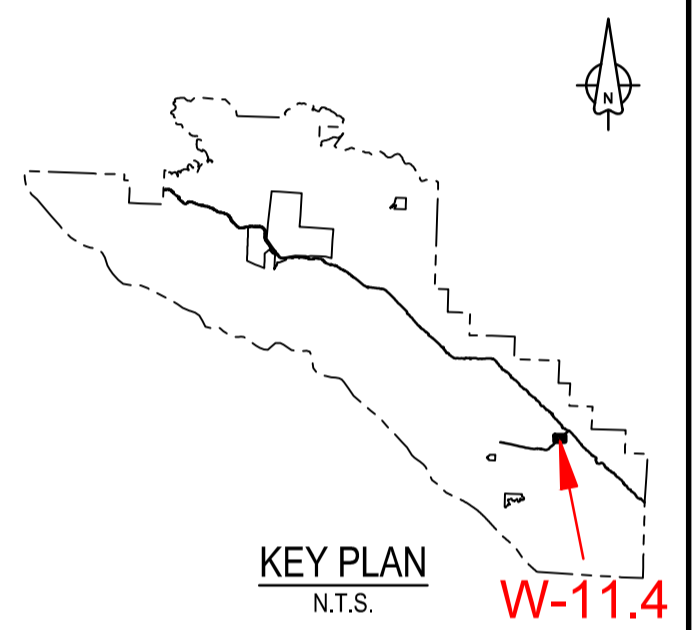
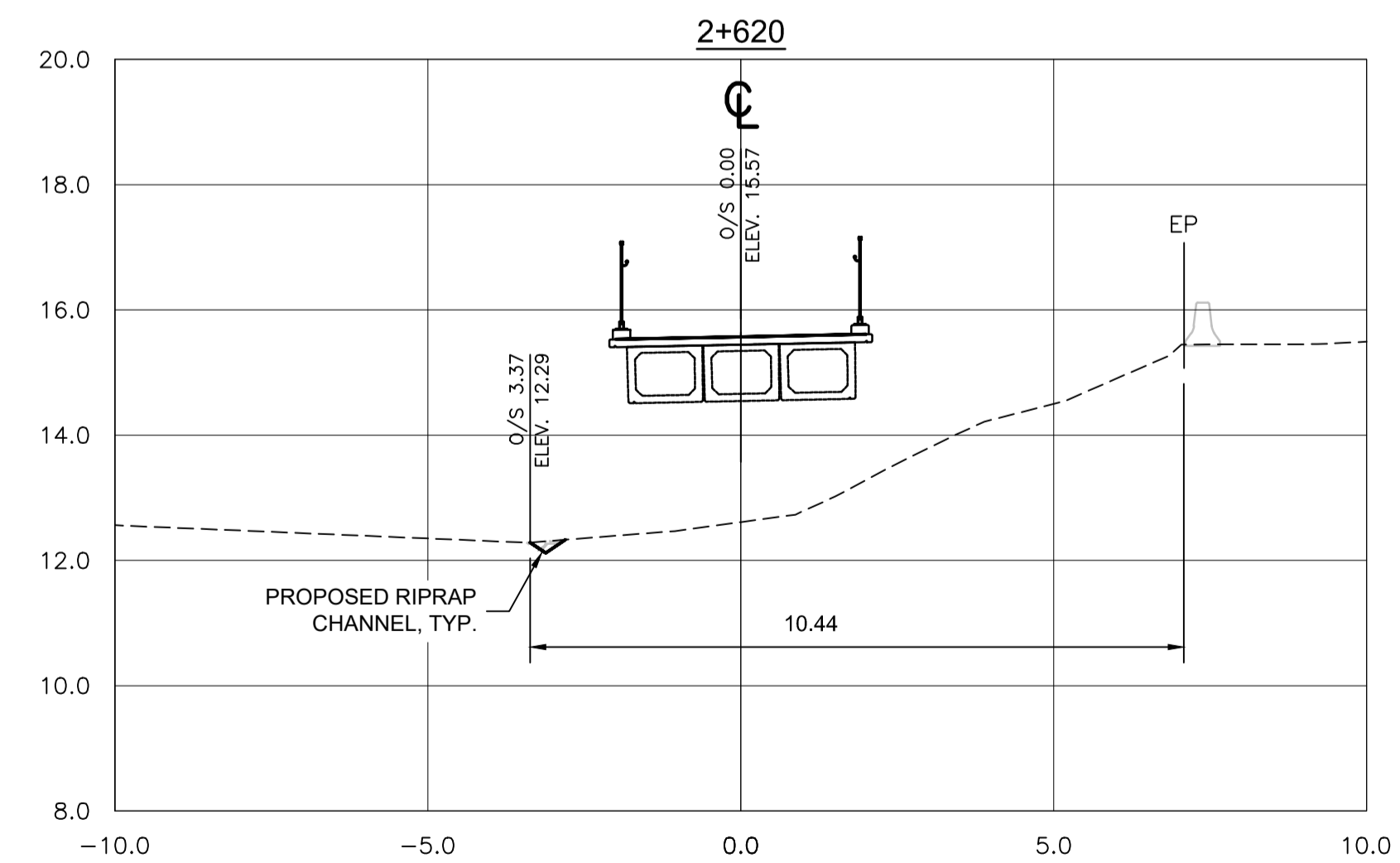
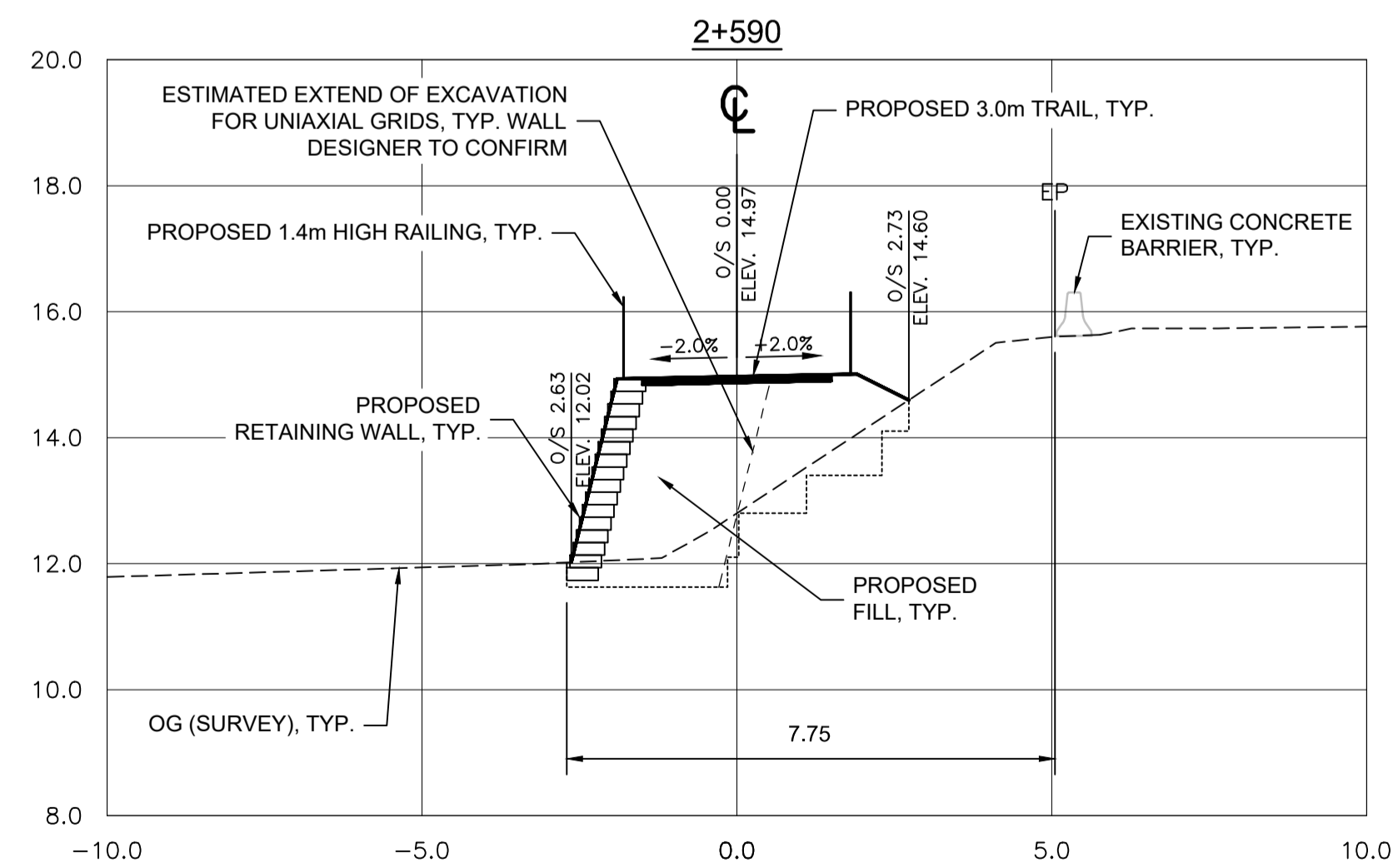
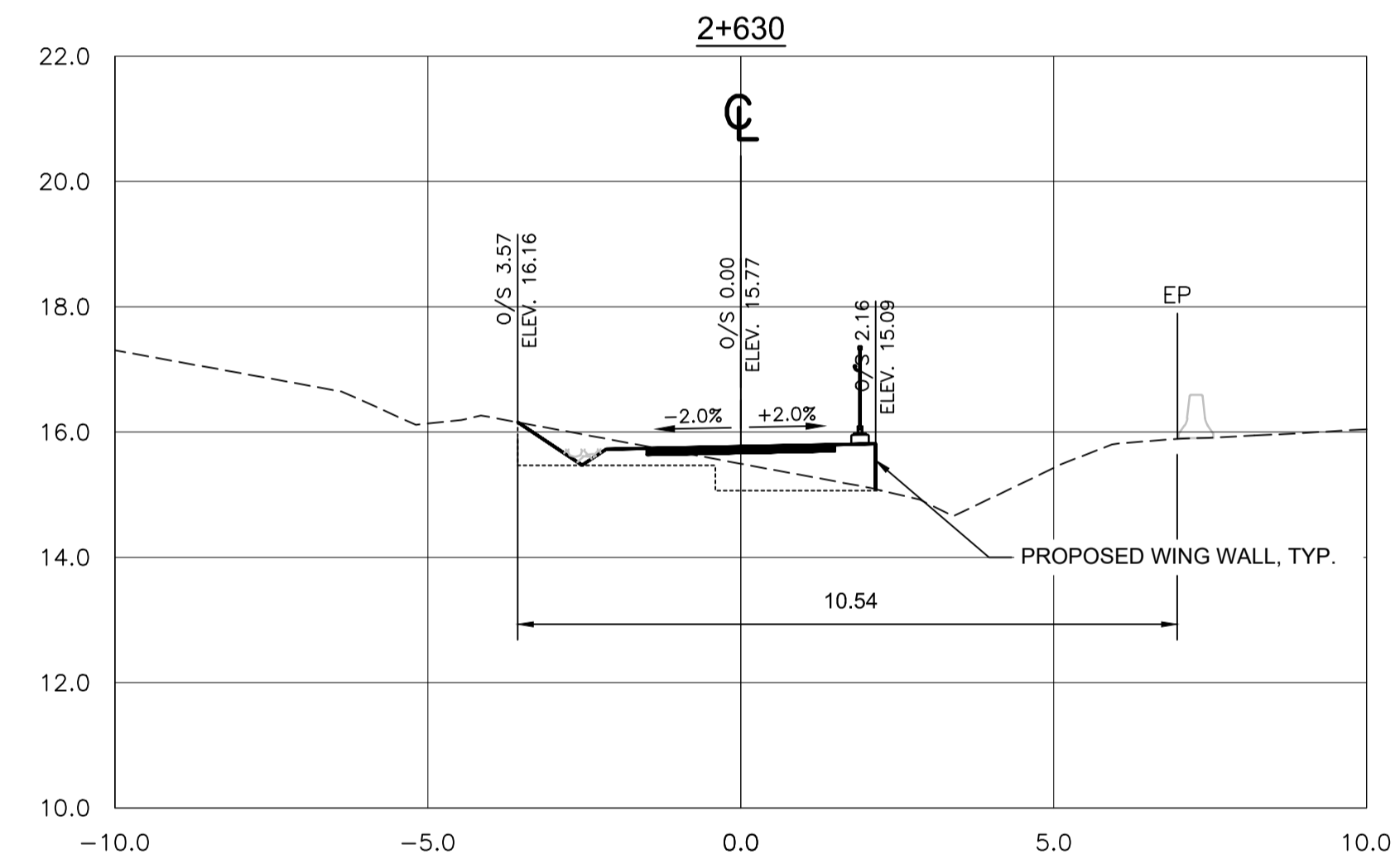
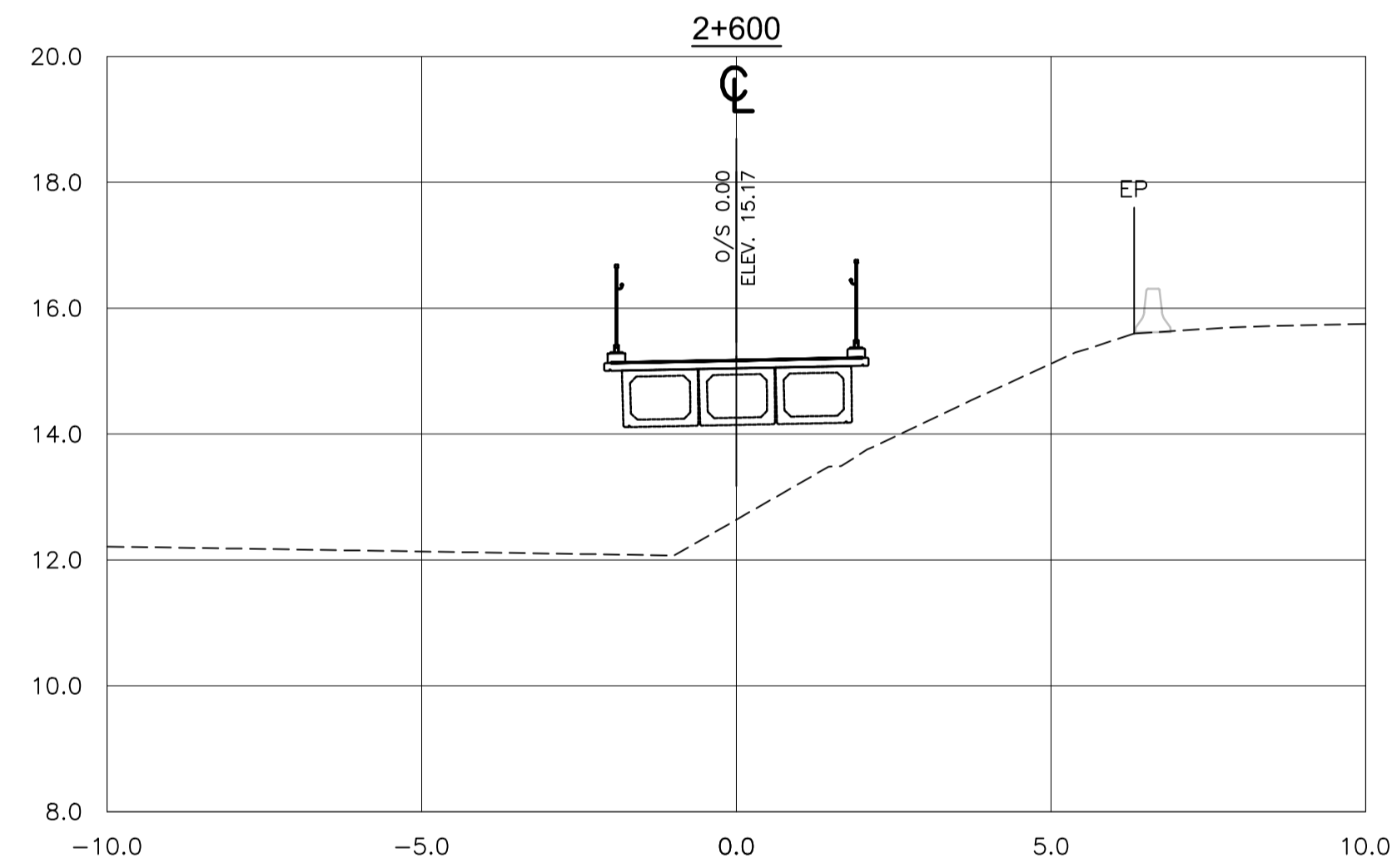
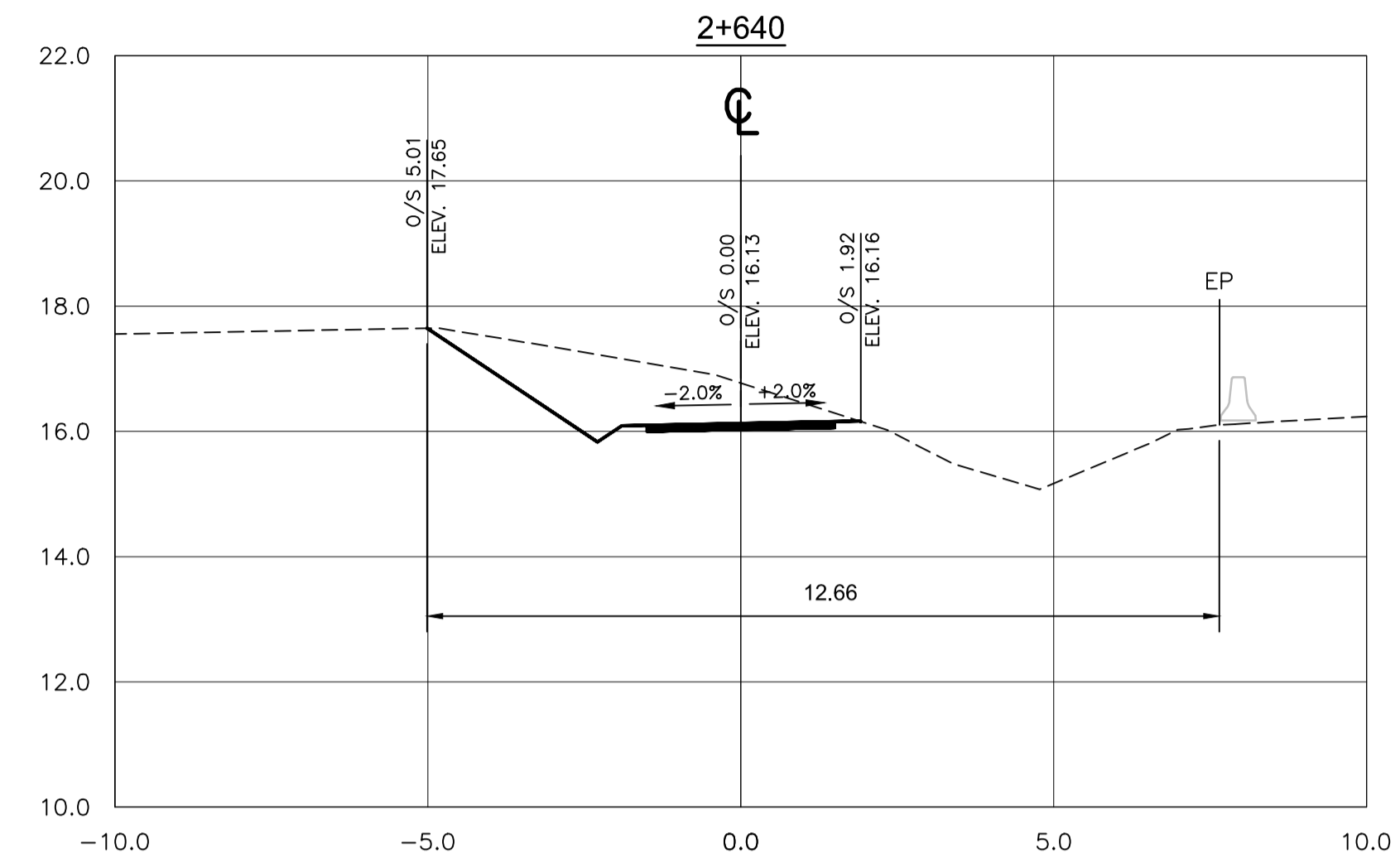
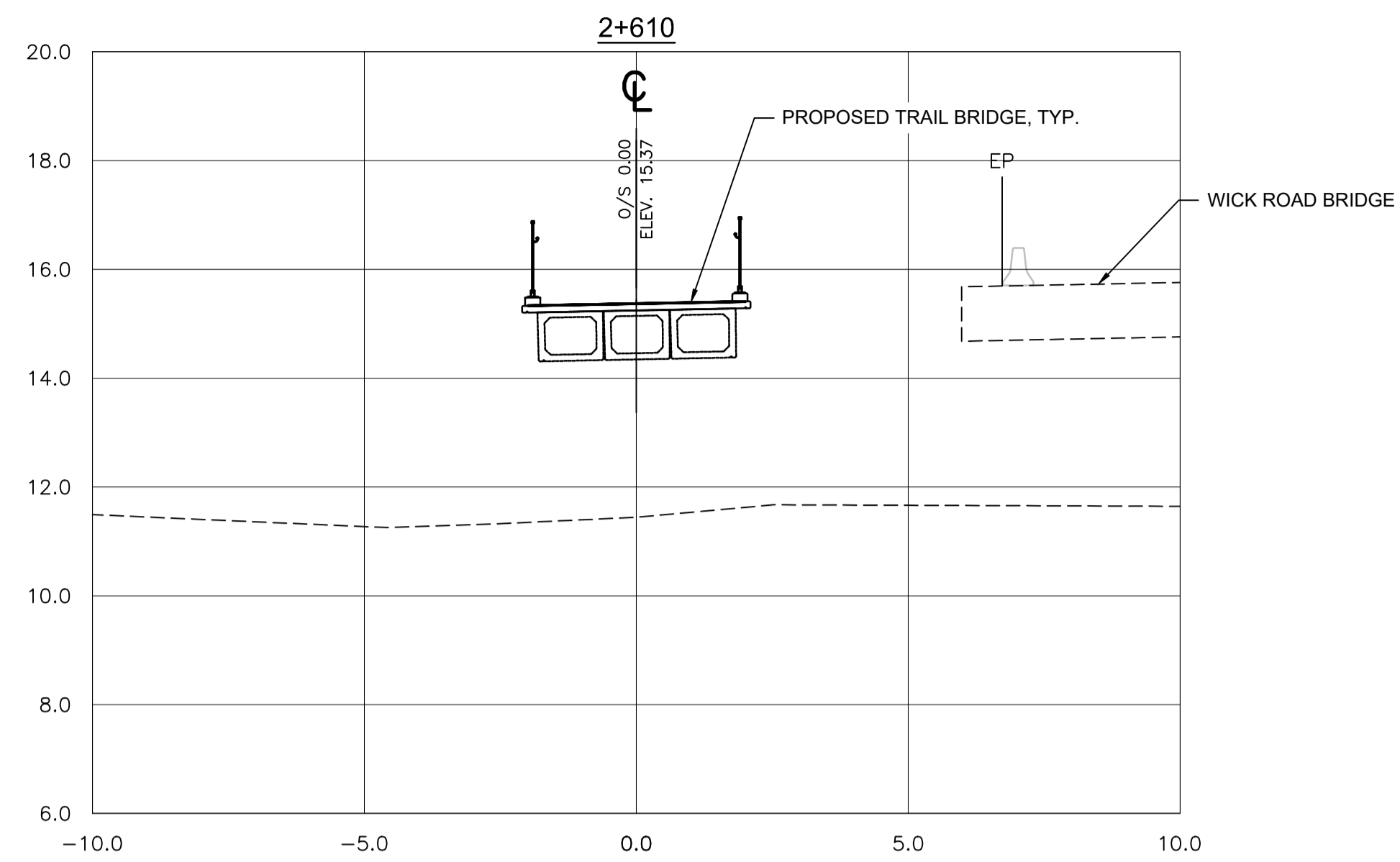
Project No./No. du projet	Sheet/Feuille	Revision no./La Révision no.
PCA #1522	W-11.3 OF 5	2

2016/03/12 - PWSC SA 2016-10 PACIFIC TRAILWAYS 03121-PT-SHEETS W11 - PROMOTED - SANDHILL-RESZING - PLOTTED ON 2018/12/18 2:31pm BY P044786
 PWSC - A1 - 841X594



SECTIONS
1:100





Revision/	Description/Description	Date/Date
2	ISSUED FOR TENDER	18/12/2016
1	ISSUED FOR TENDER	30/11/2017
0	ISSUED FOR TENDER	30/10/2017

Client/Client	Parks Canada Agency L'Agence Parcs Canada
	Western and Northern Region Ouest et Nord du Canada

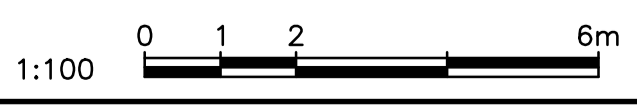
Project title/Titre du projet
TOFINO
PACIFIC RIM NATIONAL PARK RESERVE
ᑕᐱᓂᓕᓕᓕ ᓂᐱᓂᓂ
(Ups-cheek ta-shee)
"Going in the right direction on the trail"

Designed by/Concept par
DON CHALMERS / 2016-11
Drawn by/Dessiné par
JACKIE TAN / 2017-02
PCA Project Manager/Technical Authority
Administrateur de Projets APC
JACKIE HICKS

Drawing title/Titre du dessin
ᑕᐱᓂᓕᓕ ᓂᐱᓂᓂ (Ups-cheek ta-shee)
"Going in the right direction on the trail"
TRAIL DESIGN
SITE SANDHILL - WALL / FILL SLOPE SECTIONS

Project No./No. du projet PCA #1522	Sheet/Feuille W-11.4 OF 5	Revision no./La Révision no. 2
---	--	--

2016-03-12 - PWSC - SA - 2016-10-PACIFIC RIVERSE TRAIL UMNS 03121-PTT-SHEETS W11 - PROMOTED - SANDHILL-REZLING - PLOTTED ON 2016/12/15 2:46pm BY P044762

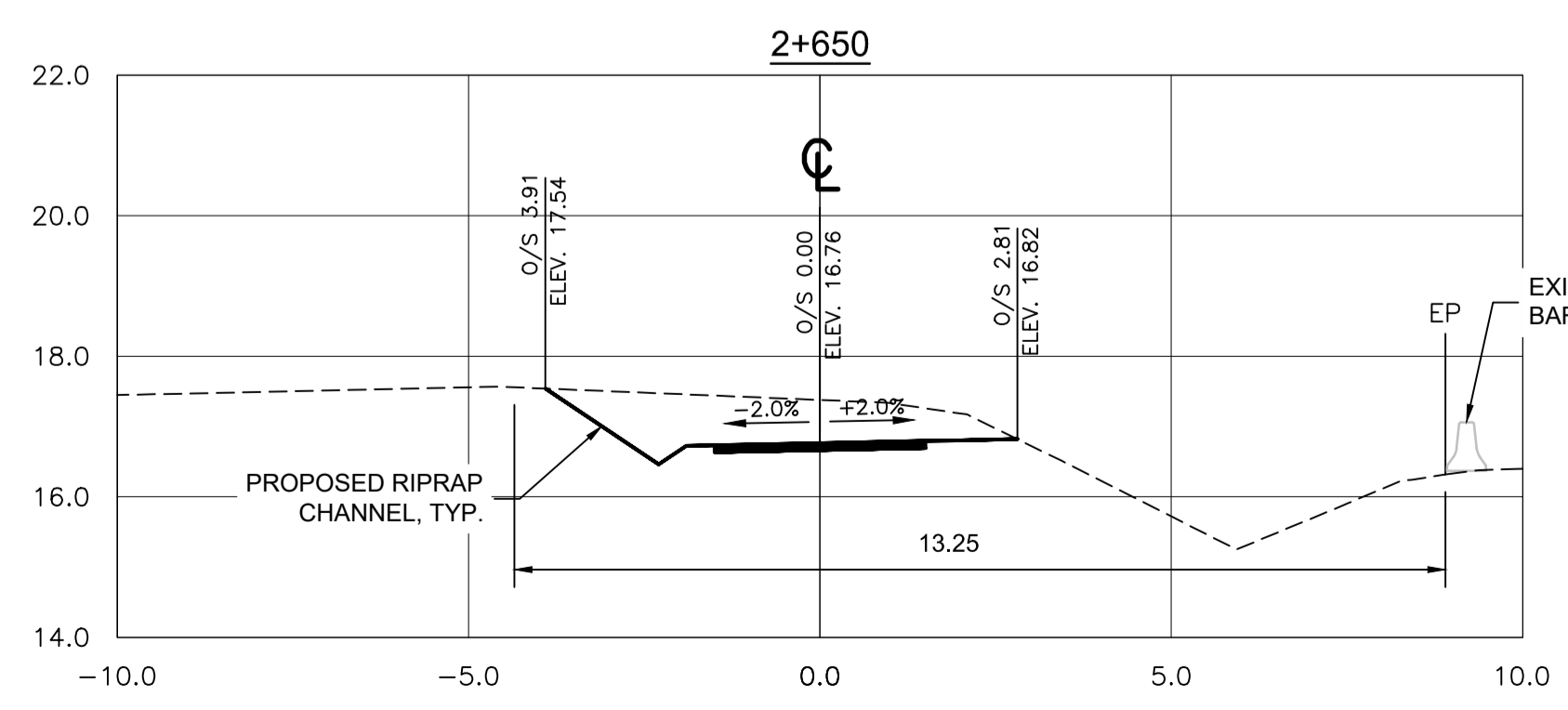
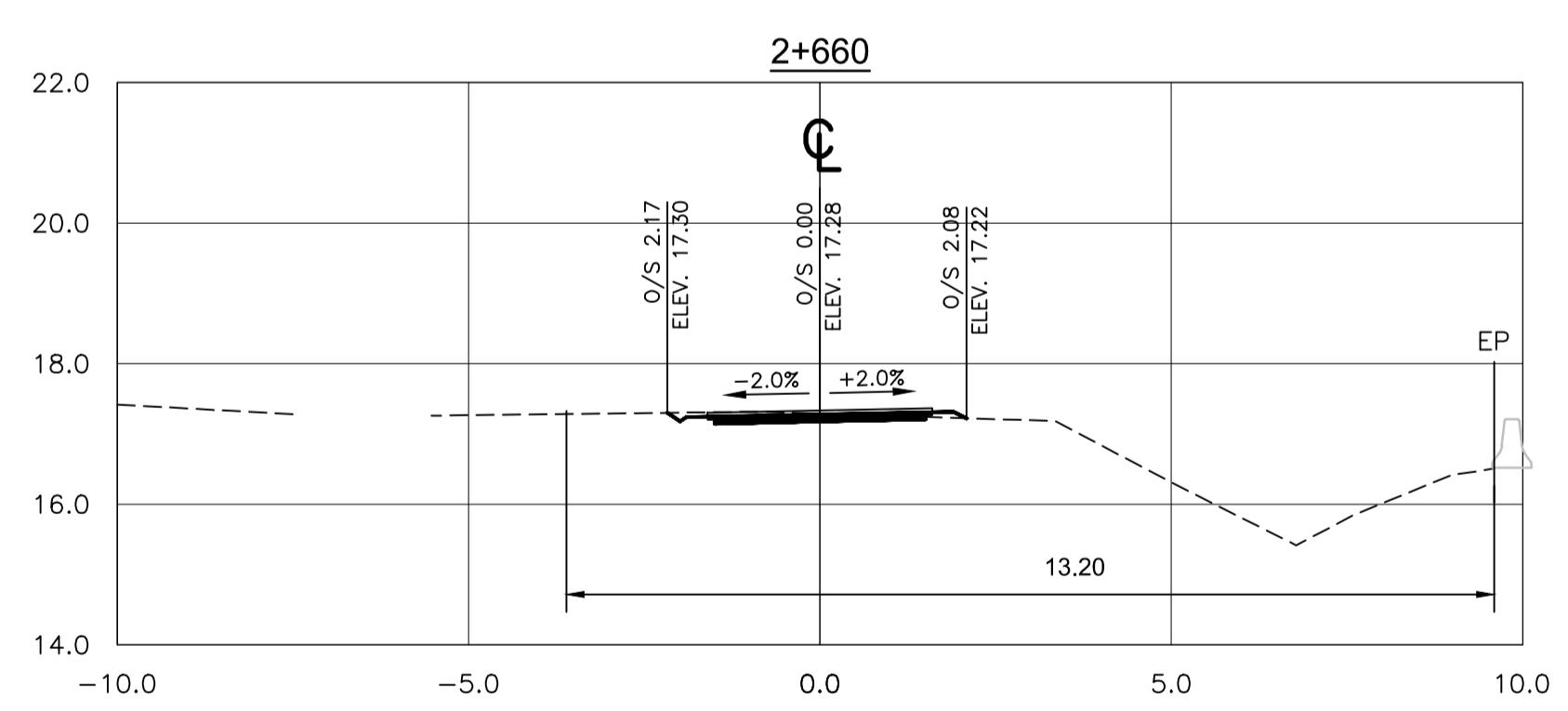
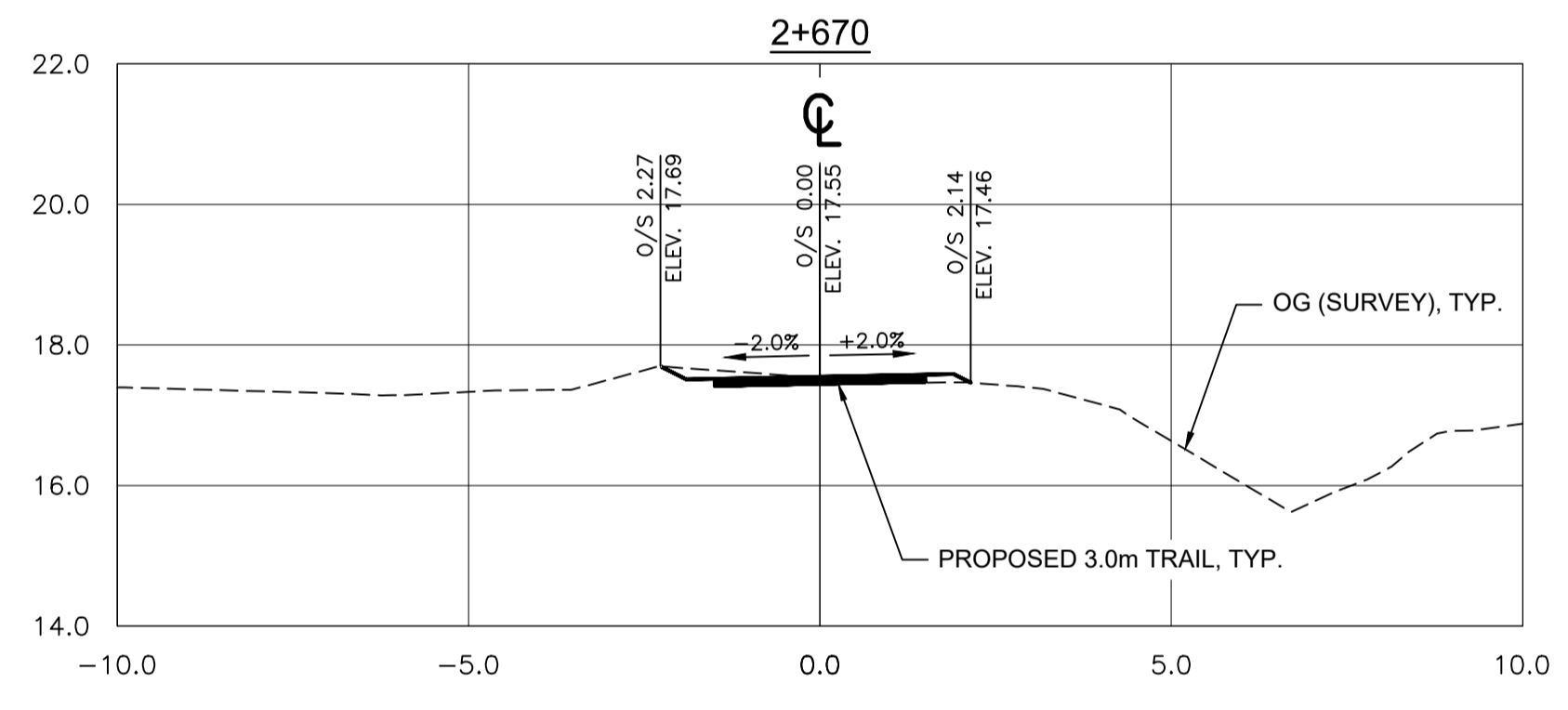
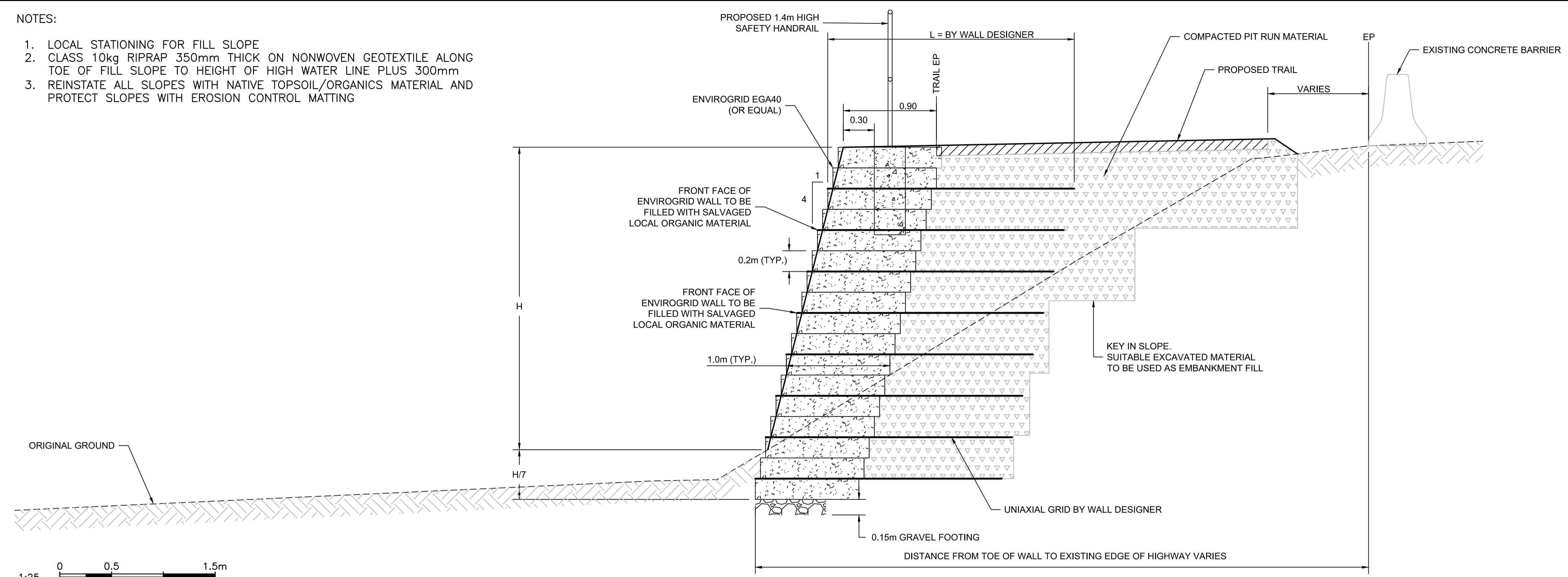


SECTIONS
1:100



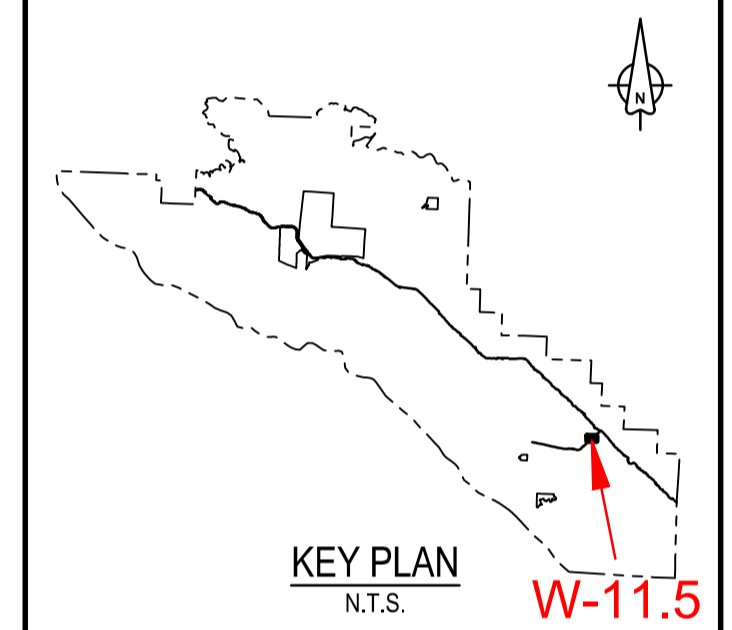
NOTES:

1. LOCAL STATIONING FOR FILL SLOPE
2. CLASS 10kg RIPRAP 350mm THICK ON NONWOVEN GEOTEXTILE ALONG TOE OF FILL SLOPE TO HEIGHT OF HIGH WATER LINE PLUS 300mm
3. REINSTATE ALL SLOPES WITH NATIVE TOPSOIL/ORGANICS MATERIAL AND PROTECT SLOPES WITH EROSION CONTROL MATTING



TYPICAL FILL SECTION
1:25

SECTIONS
1:100



Revision/Revision	Description/Description	Date/Date
2	ISSUED FOR TENDER	8/12/2016
1	ISSUED FOR TENDER	30/11/2017
0	ISSUED FOR TENDER	30/10/2017

Client/Client
Parks Canada Agency L'Agence Parcs Canada
 Western and Northern Region Ovest et Nord du Canada

Project title/Titre du projet
TOFINO
PACIFIC RIM NATIONAL PARK RESERVE
ᑕᐱᓂᓕᓕᓕ ᑕᐱᓂᓕ
(Ups-cheek ta-shee)
"Going in the right direction on the trail"

Designed by/Concept par
DON CHALMERS / 2016-11
 Drawn by/Dessiné par
JACKIE TAN / 2017-02
 PCA Project Manager/Technical Authority
 Administrateur de Projets APC
JACKIE HICKS

Drawing title/Titre du dessin
ᑕᐱᓂᓕᓕ ᑕᐱᓂᓕ (Ups-cheekta-shee)
"Going in the right direction on the trail"
TRAIL DESIGN
SITE SANDHILL - WALL / FILL SLOPE SECTIONS
STA 2+640 TO STA 2+680

Project No./No. du projet	Sheet/Feuille	Revision no./La Révision no.
PCA #1522	W-11.5	2

2016/03/12 - PWSC - SIA - 10-PACIFIC TRAILWAYS 03121-PT-SHEETS W11 - PROMOTED - SANDHILL-RESZING - PLOTTED ON 2016/12/18 2:50pm BY A044782
 PWSC - A1 - 841X594