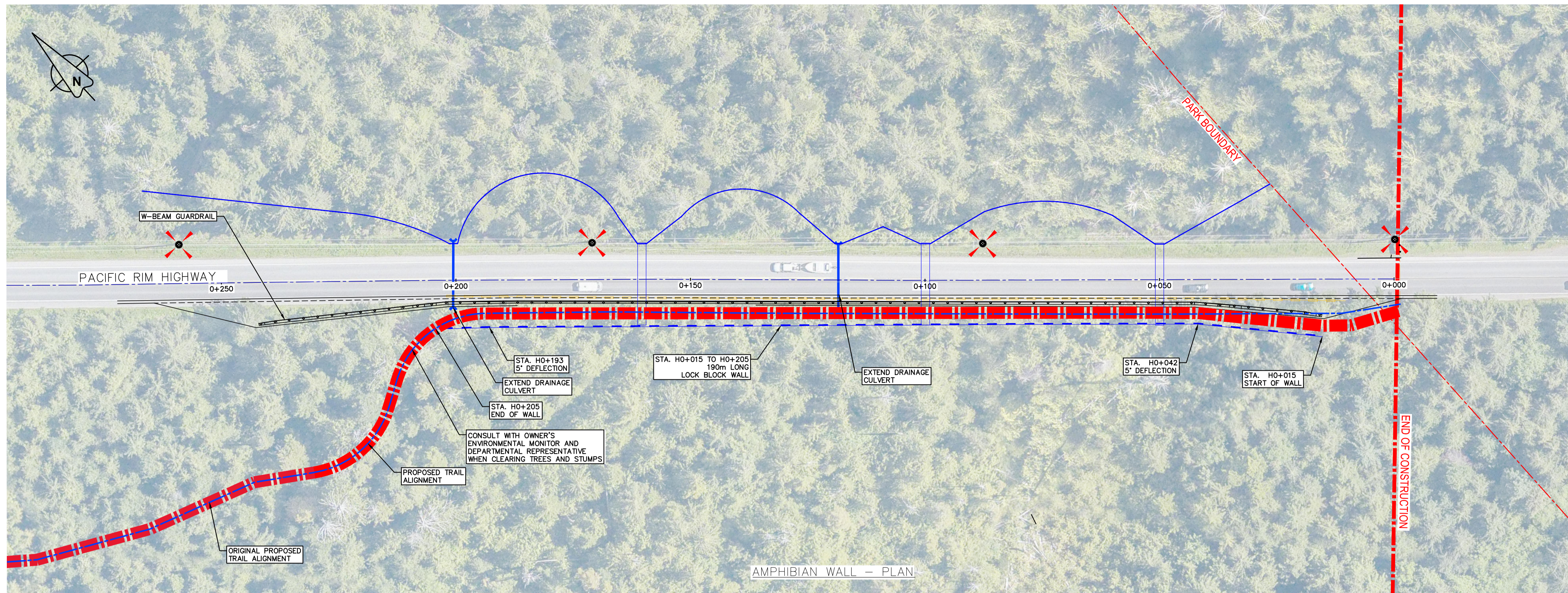
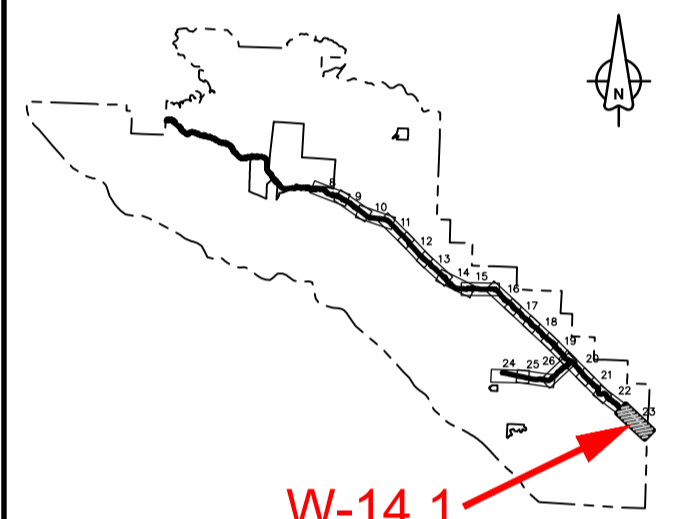


PARSONS



AMPHIBIAN WALL - PLAN



W-14.1
KEY PLAN
N.T.S.

Revision/	Description/Description	Date/Date
1	ISSUED FOR TENDER	16/12/2018
0	ISSUED FOR TENDER	02/11/2017

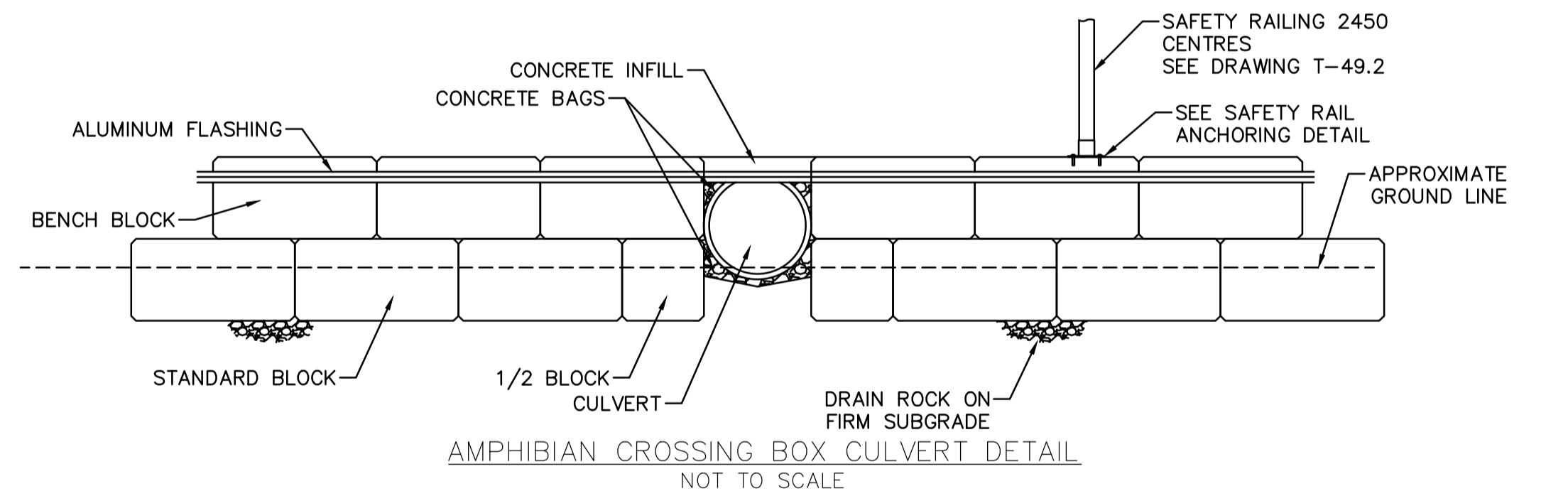
Client/client
Parks Canada L'Agence Parcs
Agency Canada
Western and Northern Region Ouest et Nord du Canada

Project title/Titre du projet
TOFINO
PACIFIC RIM NATIONAL PARK RESERVE
ᑭᐱᓂᓴᓴ ᓂᓴᓴᓴ
“Going in the right direction on the trail”

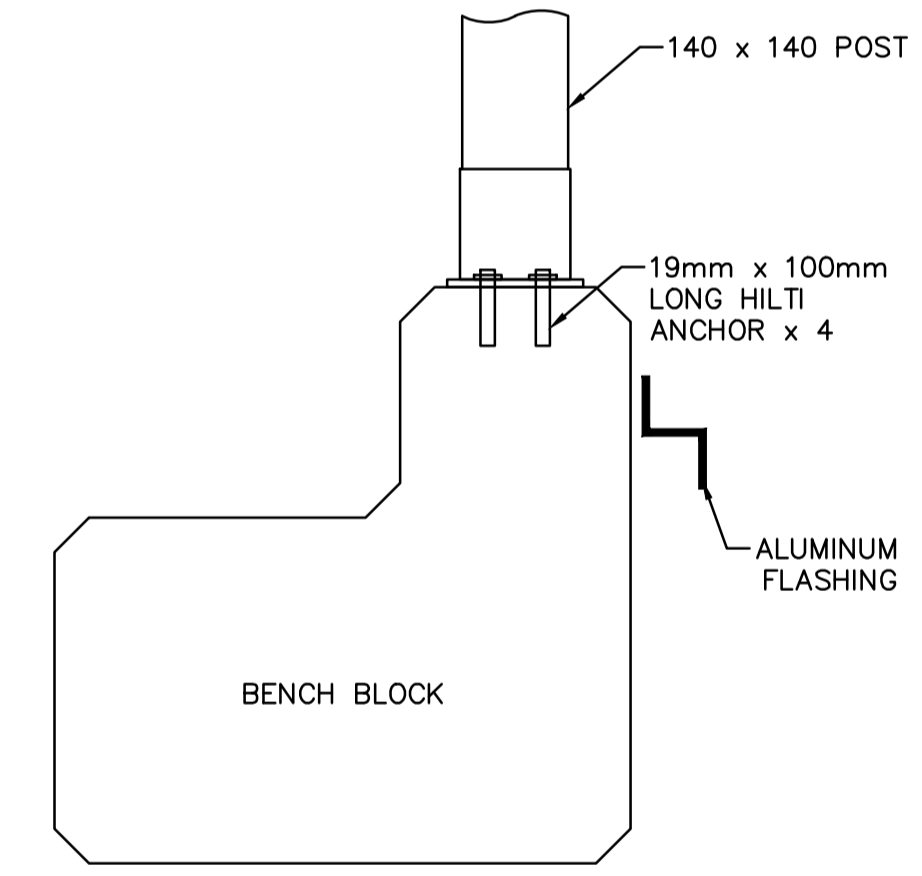
Designed by/Concept par
DON CHALMERS / 2017-09
Drawn by/Dessiné par
DAVID COX / 2017-09
PCA Project Manager/Technical Authority
Administrateur de Projets APC
JACKIE HICKS

Drawing title/Titre du dessin
ᑭᐱᓂᓴᓴ ᓂᓴᓴᓴ (Ups-cheek ta-shee)
“Going in the right direction on the trail”
CONSTRUCTION PLAN
AMPHIBIAN WALL
HWY STA H0+015 TO H0+205

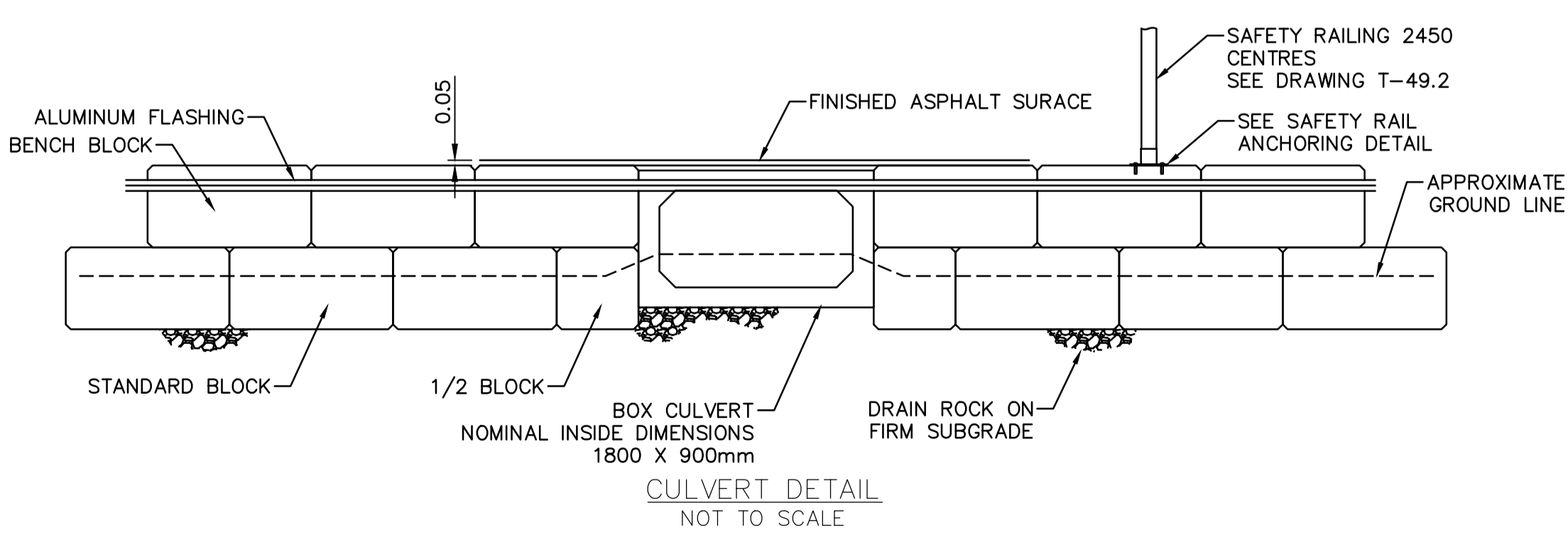
Project No./No. du projet PCA #1522	Sheet/Fauille W-14.1 OF	Revision no./ La Révision no. 1
--	-------------------------------	---------------------------------------



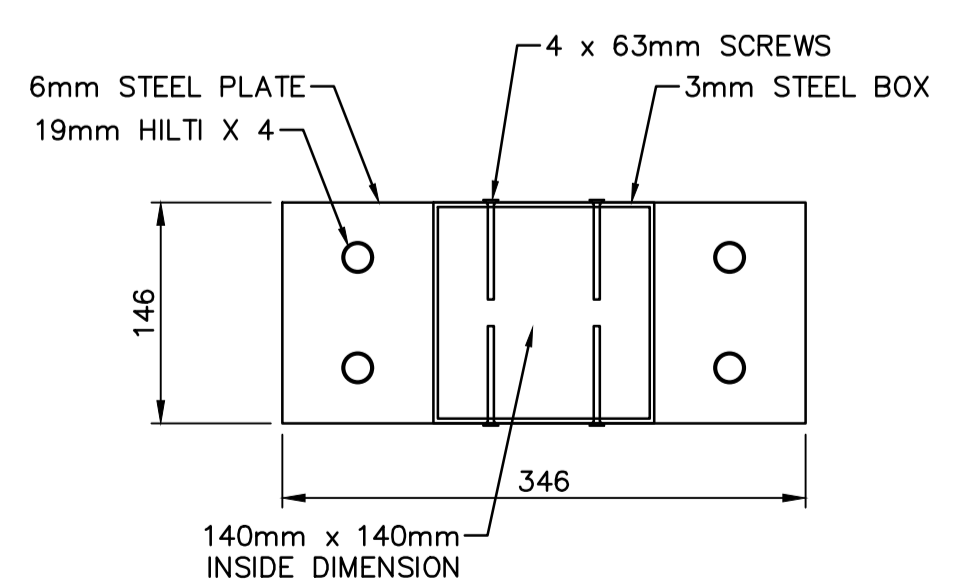
AMPHIBIAN CROSSING BOX CULVERT DETAIL
NOT TO SCALE



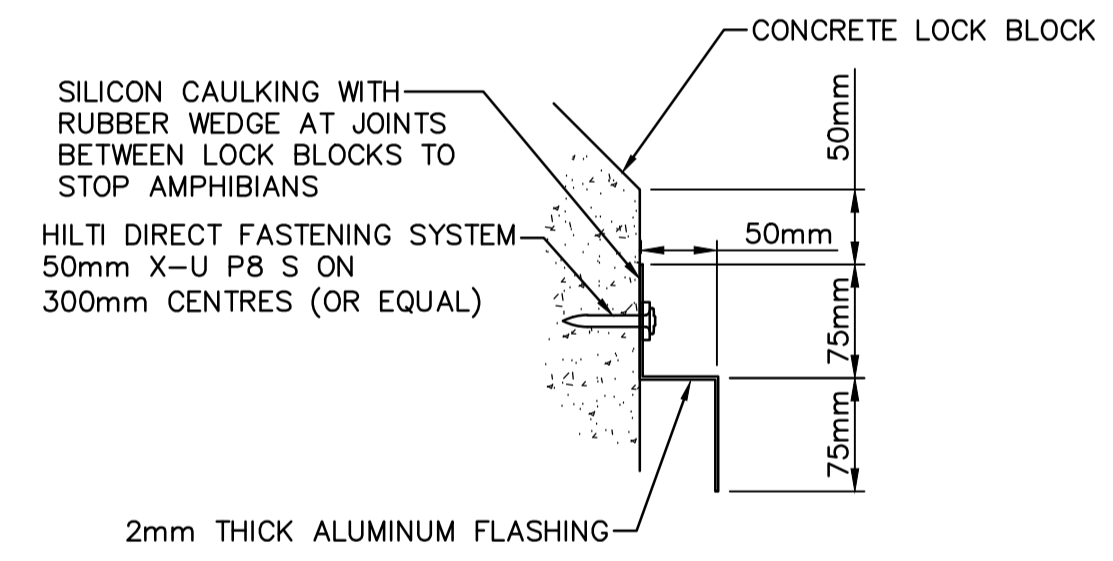
SAFETY RAIL ANCHORING DETAIL
NOT TO SCALE



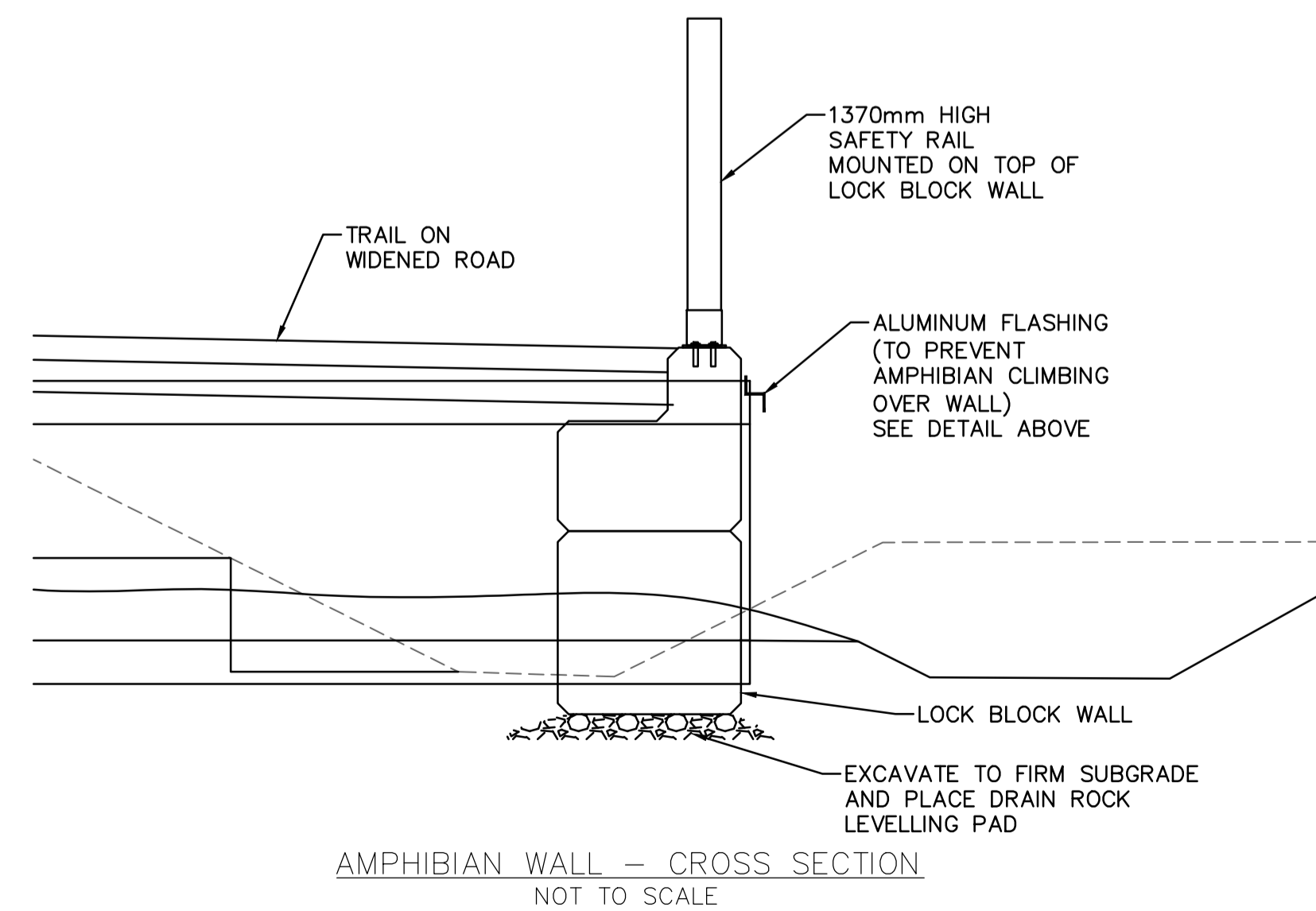
CULVERT DETAIL
NOT TO SCALE



SAFETY RAIL ANCHORING PLATE DETAIL
NOT TO SCALE



ALUMINUM FLASHING DETAIL
NOT TO SCALE



AMPHIBIAN WALL - CROSS SECTION
NOT TO SCALE

D:\TV\03121 - PWSC - 2018-19\PACIFIC TRAVELER TRAIL\DWGS\03121-PT-SHEETS\W4 REV.DWG PLOTTED ON 2018/12/18 11:14am BY P004479C

