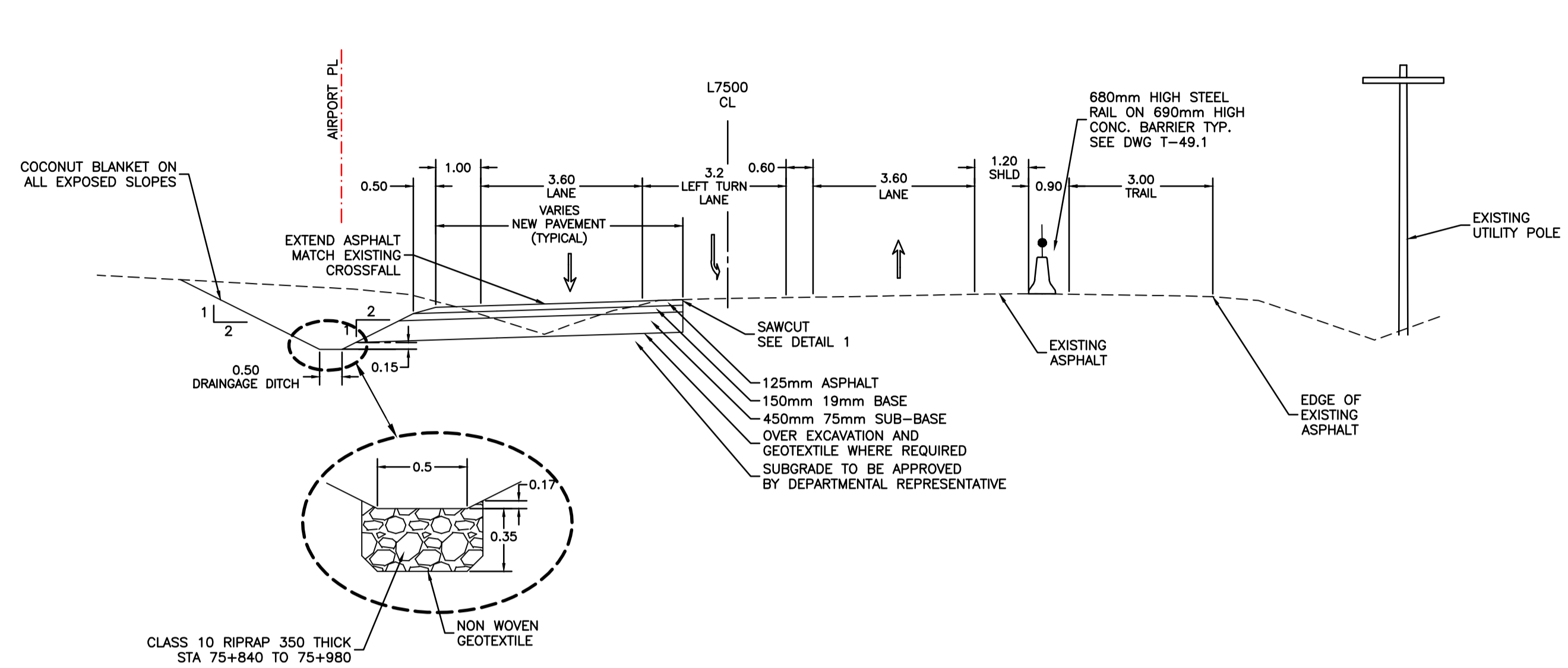
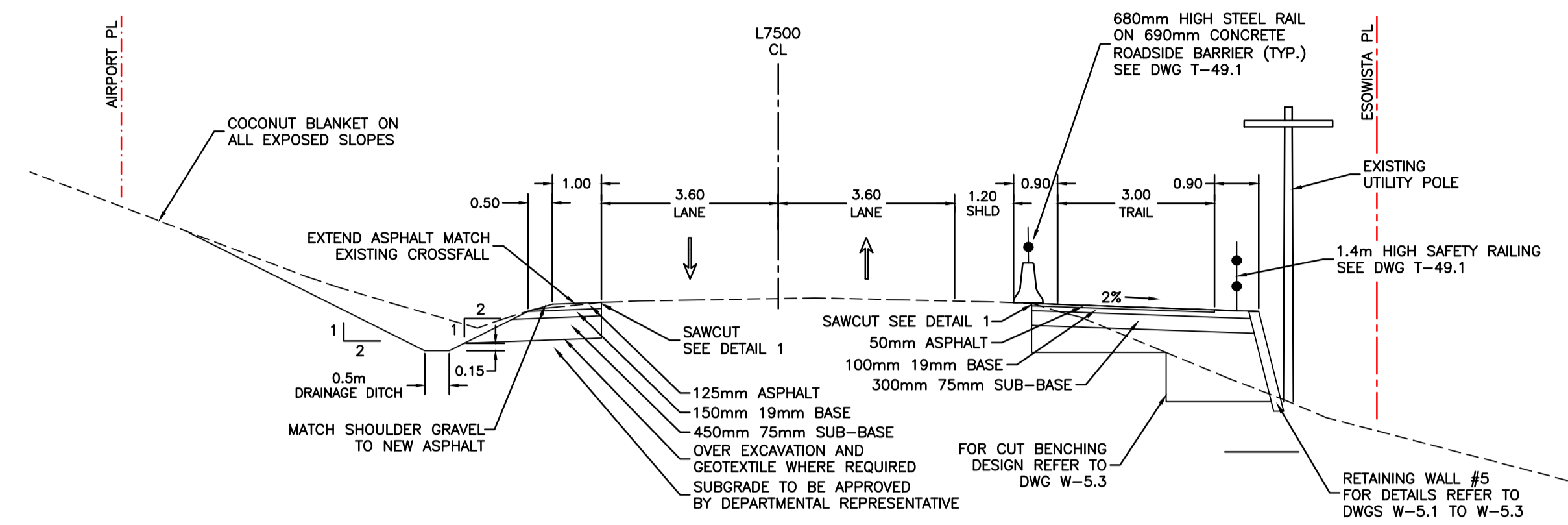


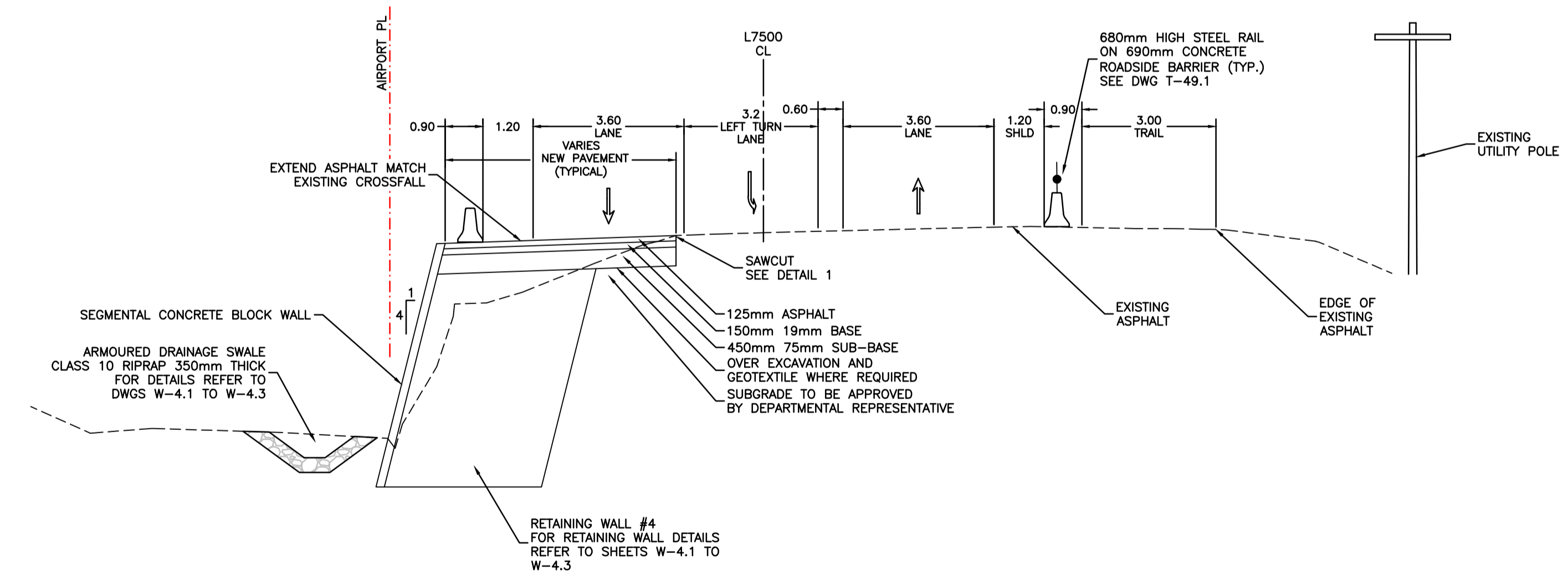
PARSONS



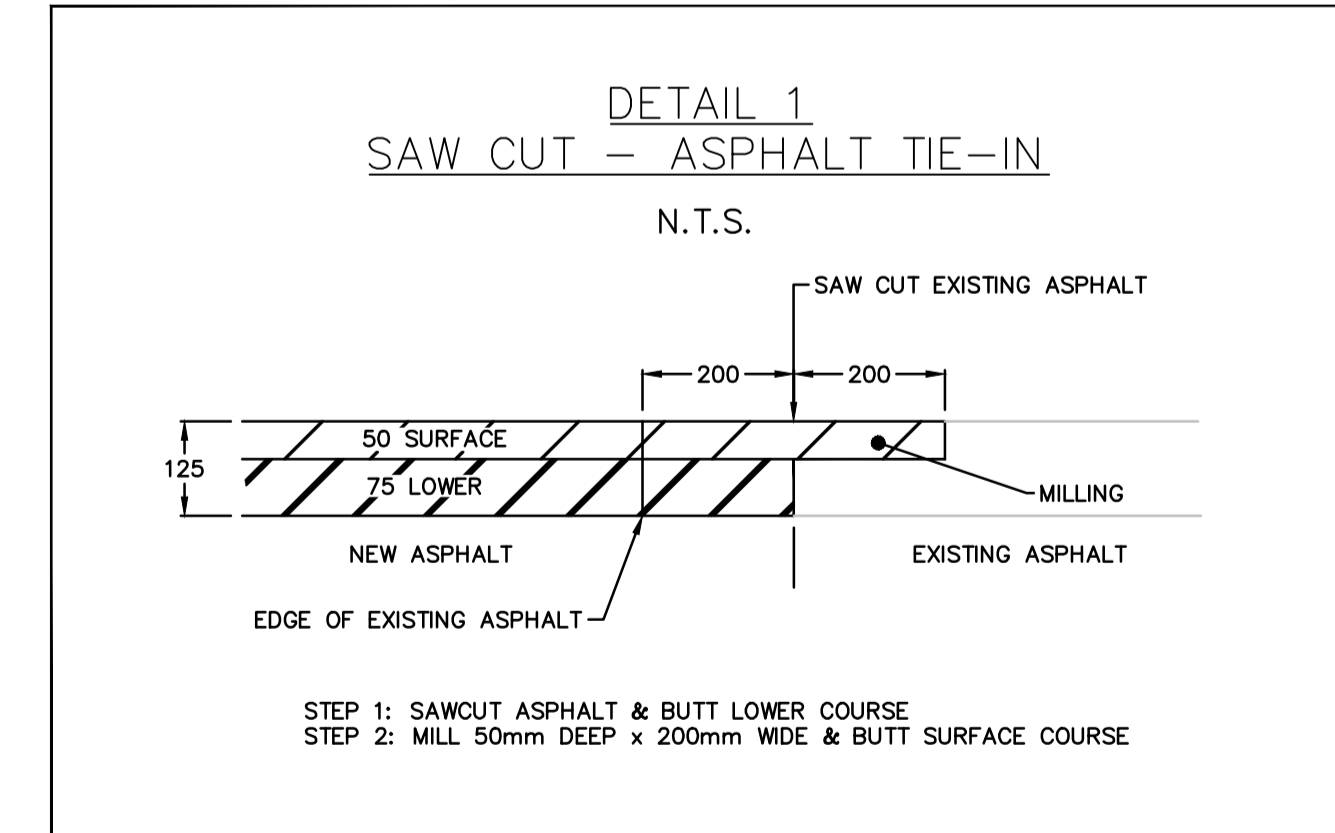
TYPICAL SECTION
STA 75+500 TO STA
75+700 & STA 75+800 TO
STA 75+920



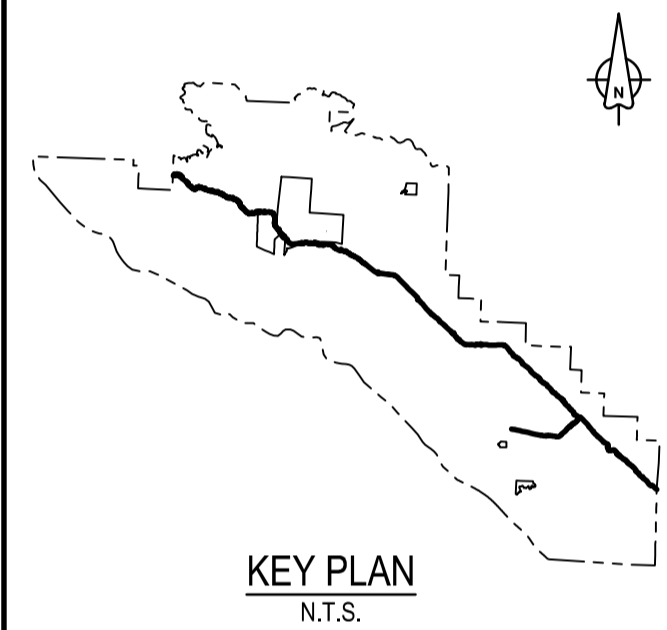
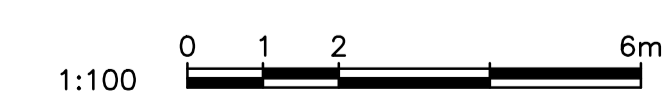
TYPICAL SECTION
STA 75+920 TO STA
76+120



TYPICAL SECTION
STA 75+700 TO STA
75+800



STEP 1: SAWCUT ASPHALT & BUTT LOWER COURSE
STEP 2: MILL 50mm DEEP x 200mm WIDE & BUTT SURFACE COURSE



Revision	Description/Description	Date/Date
3	ISSUED FOR TENDER	18/12/2016
2	ISSUED FOR TENDER	26/11/2016
1	ISSUED FOR TENDER	30/11/2017
0	ISSUED FOR TENDER	06/11/2017

Client/Client	Parks Canada Agency L'Agence Parcs Canada Western and Northern Region Ouest et Nord du Canada
---------------	--

Project title/Titre du projet
**TOFINO
PACIFIC RIM
NATIONAL PARK RESERVE
?apsčik fasii
"Going in the right
direction on the trail"**

Consultant Signature Only
Designed by/Concept par
DON CHALMERS / 2017-06
Drawn by/Dessiné par
DAVID COX / 2017-11
PCA Project Manager/Technical Authority
Administrateur de Projets APC
JACKIE HICKS

Drawing title/Titre du dessin
**?apsčik fasii (Ups-cheek ta-shee)
"Going in the right direction on the
trail"
HIGHWAY 4 - ESOWISTA CURVE
TYPICAL SECTIONS**

Project No./No. du projet PCA #1522	Sheet/Feuille HW-6 OF 19	Revision no./Révision no. 3
---	---------------------------------------	---------------------------------------