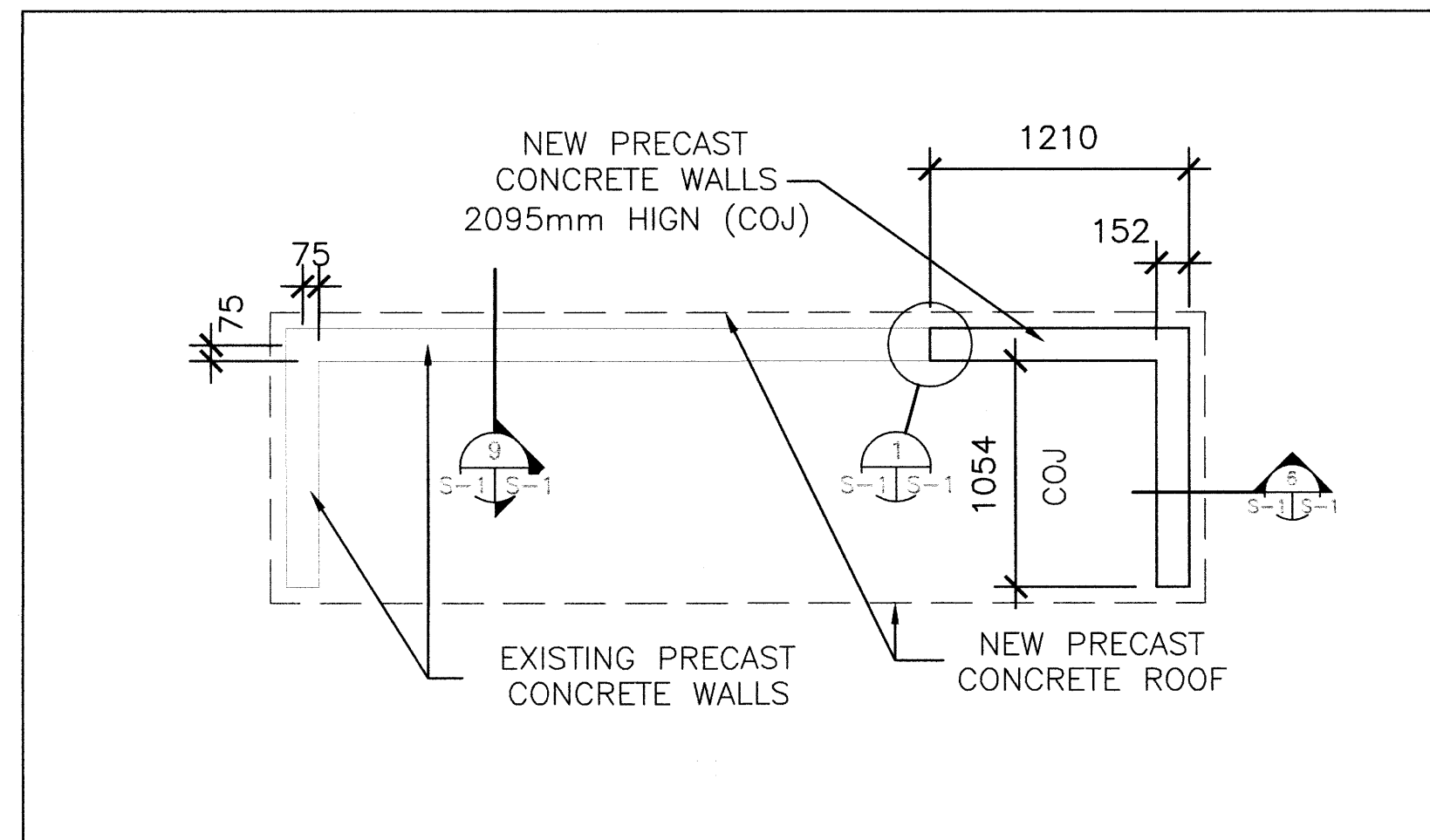
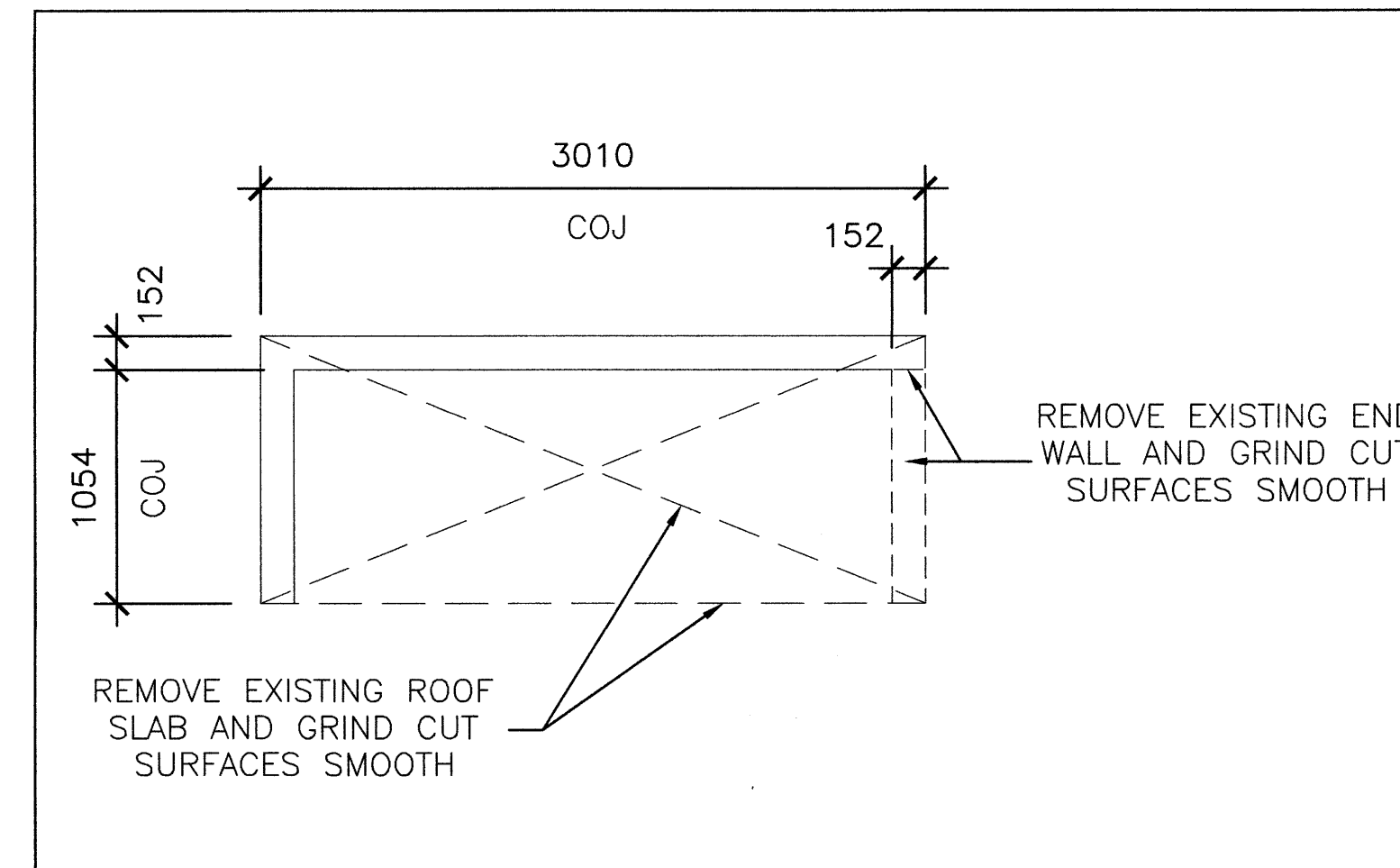


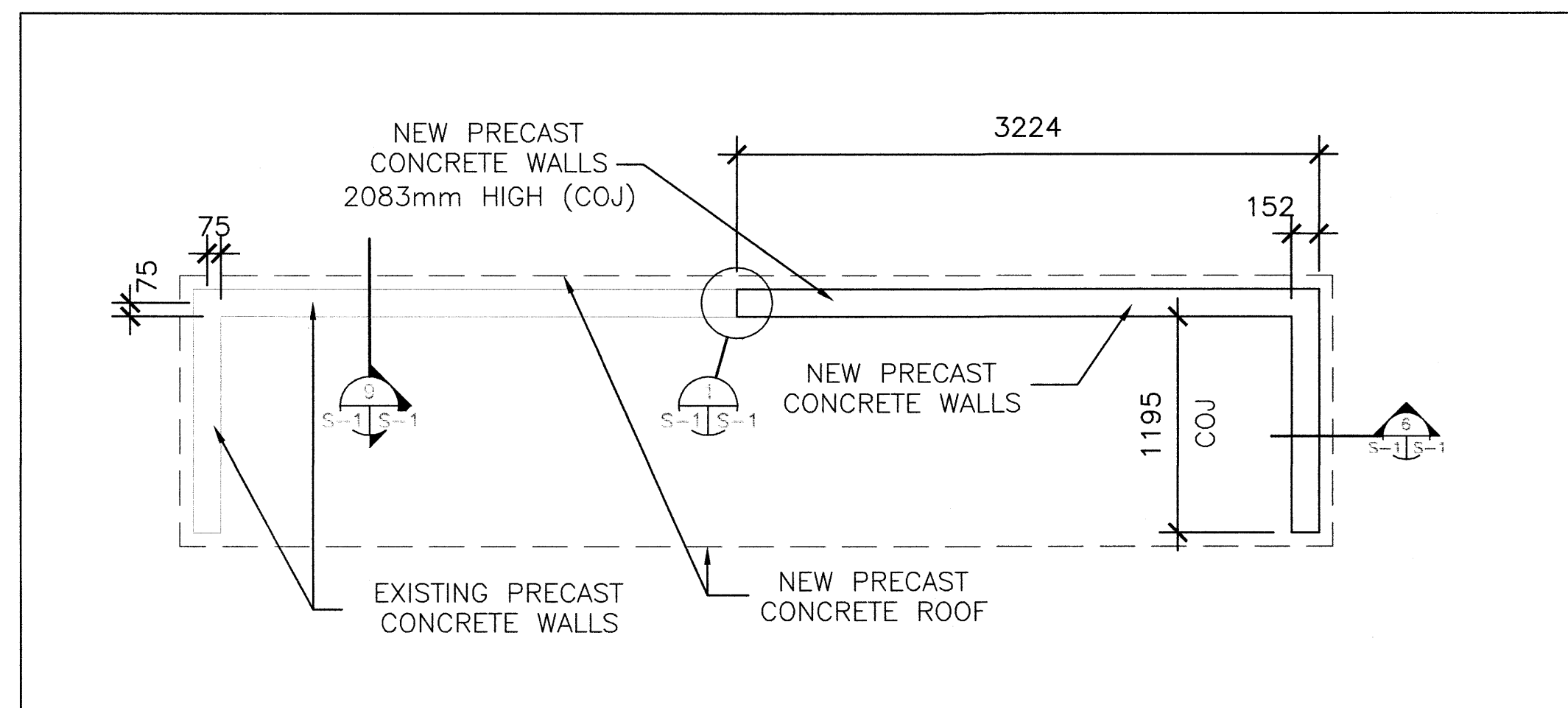
3 END WALL TRIM DETAIL (TYPICAL)
 SCALE : 1:5



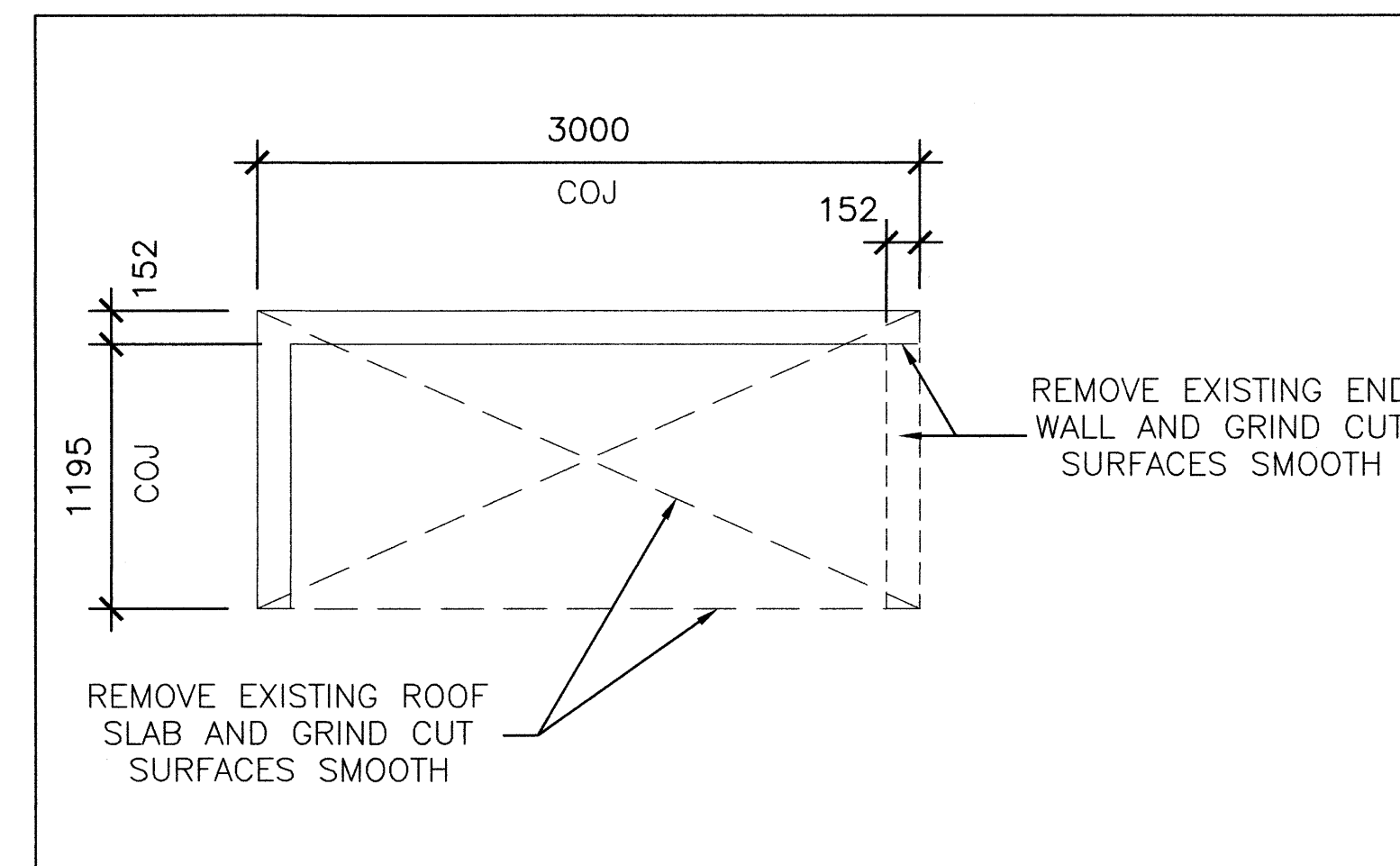
2 POWER PEDESTAL #6 NEW CONDITIONS
 SCALE : 1:30



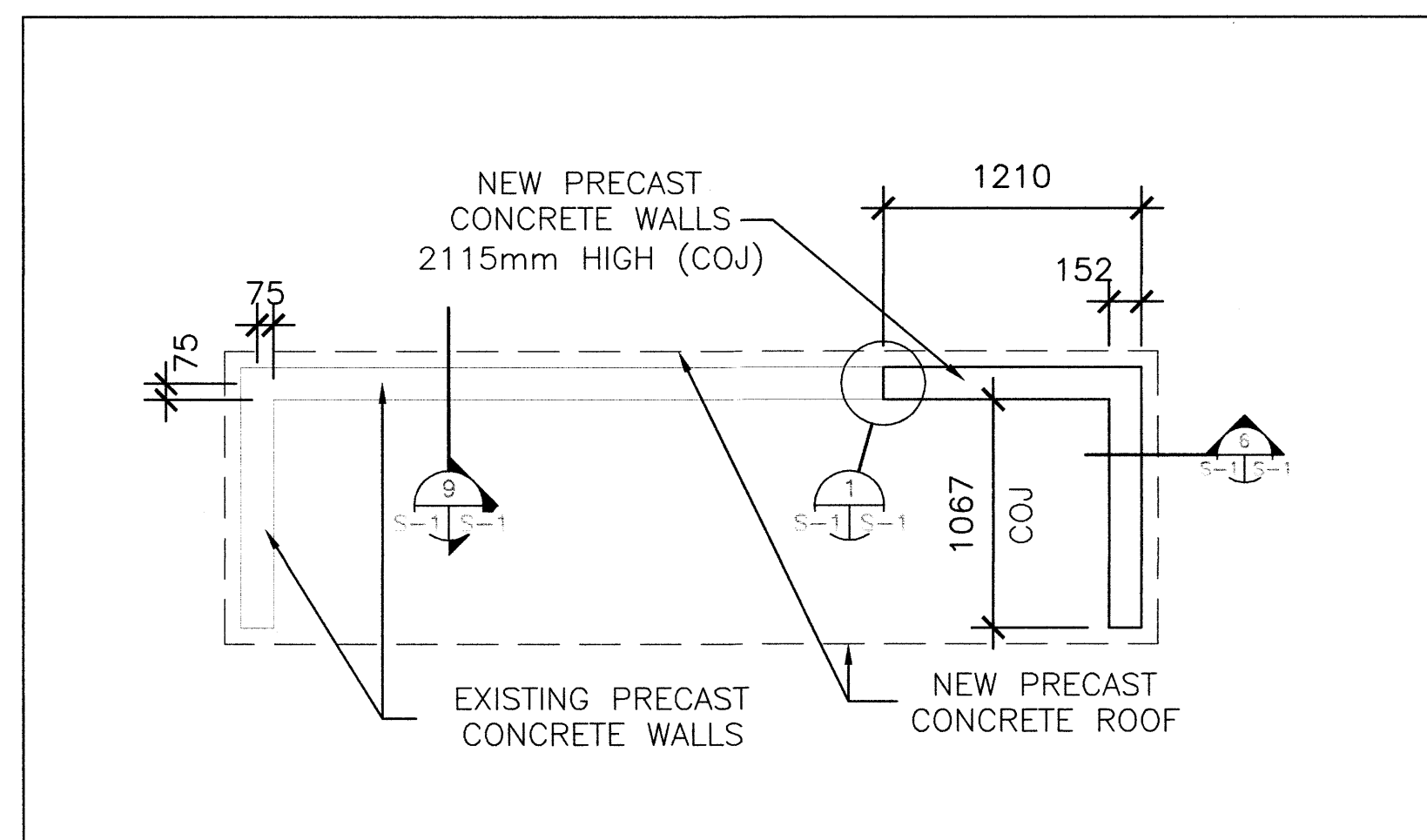
1 POWER PEDESTAL #6 EXISTING / DEMOLITION
 SCALE : 1:30



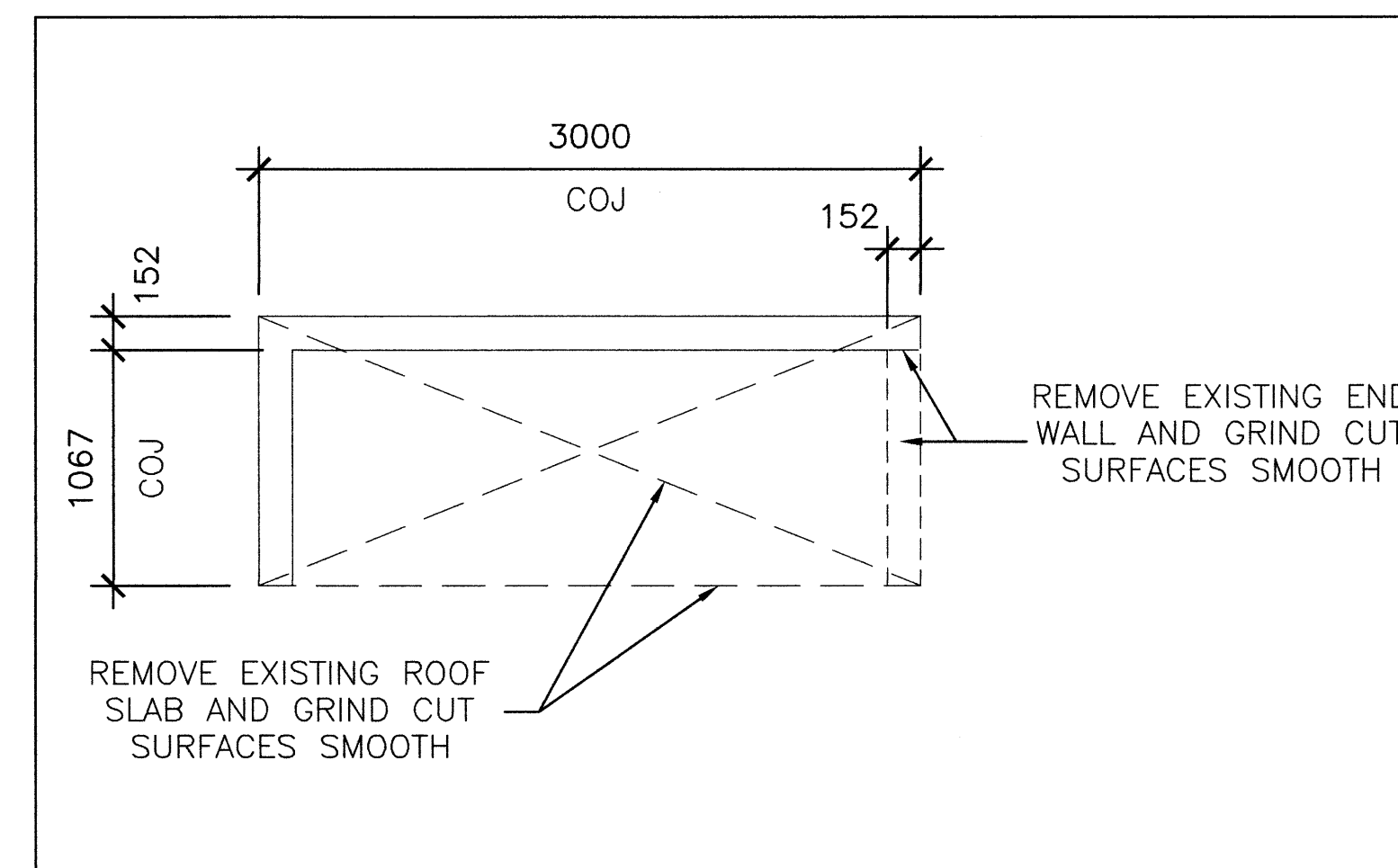
5 POWER PEDESTAL #7 NEW CONDITIONS
 SCALE : 1:30



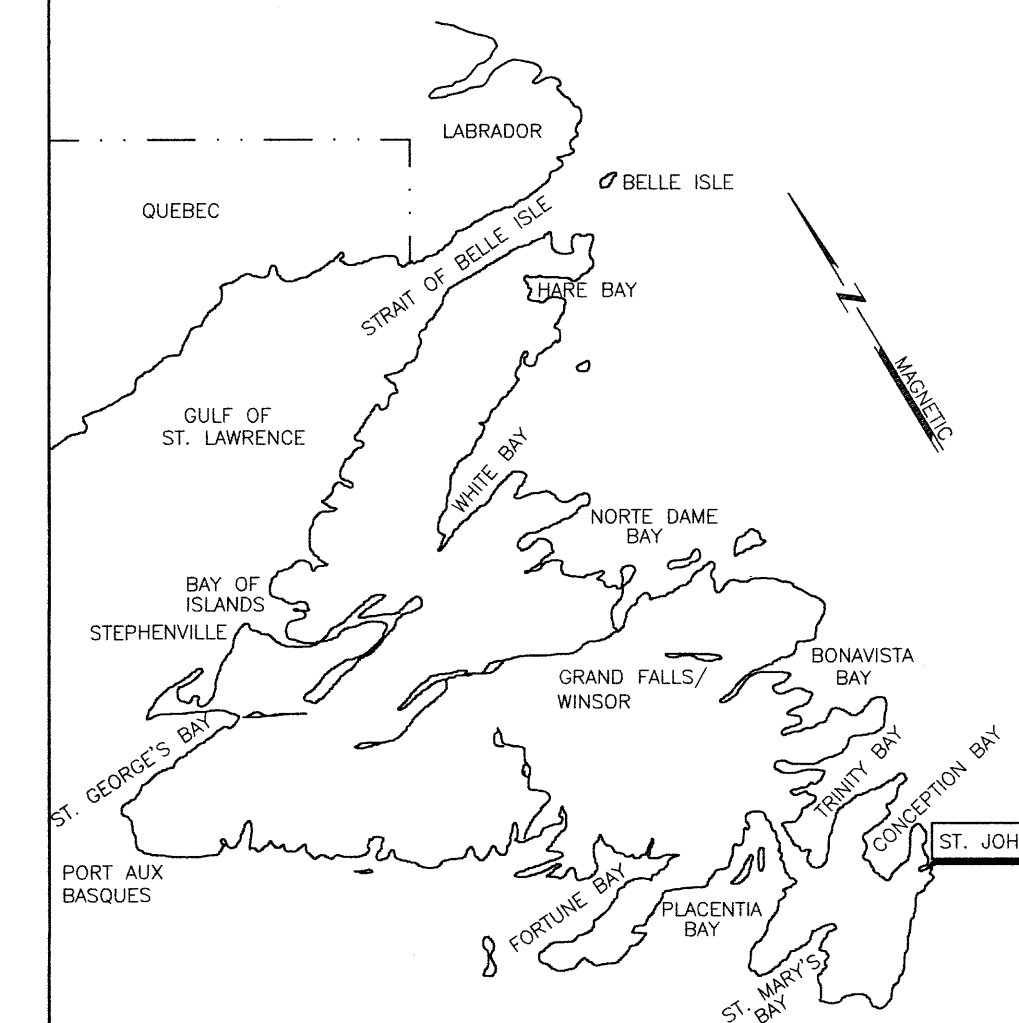
4 POWER PEDESTAL #7 EXISTING / DEMOLITION
 SCALE : 1:30



7 POWER PEDESTAL #8 NEW CONDITIONS
 SCALE : 1:30

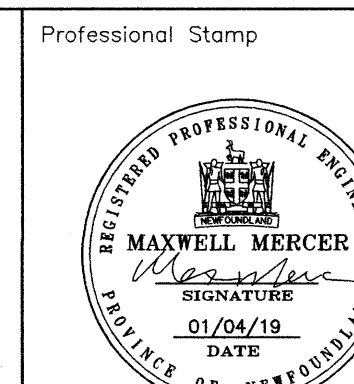
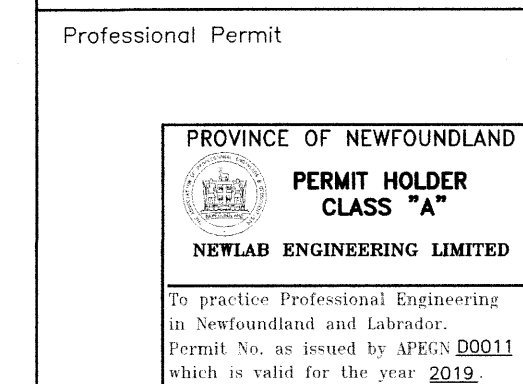


6 POWER PEDESTAL #8 EXISTING / DEMOLITION
 SCALE : 1:30



KEY LOCATION PLAN

Prime Consultant



Notes
 ALL PRECAST CONCRETE UNITS TO: CSA A23.4-09 (r2014)

D	ISSUED FOR ADDENDUM #1	01/04/19	R.B	M.M
C	ISSUED FOR TENDER	21/09/18	R.B	M.M
B	ISSUED FOR 99% REVIEW	13/07/18	R.B	M.M
A	ISSUED FOR 66% REVIEW	21/06/18	R.B	M.M
no.	revision	date	by	approved
no.	revision	date	par	approuvé

Project - projet
 CANADIAN COAST GUARD ST. JOHN'S, NL
 SOUTHSIDE BASE PEDESTAL UPGRADE

Drawing - dessin
 STRUCTURAL MODIFICATIONS
 ELECTRICAL POWER PEDESTAL
 MODIFICATIONS

drawn - dessiné	S.L.	designed - dessiné par	M.M.
date - date	JULY 2018	checked - vérifié	R.B.
scale - échelle	AS NOTED	approved for tender - approuvé pour l'offre	<i>Bl. Dum</i> 01/19
project no. - projet no.	F6879-189232	drawing no. - no du dessin	01N1001A522S02
		sheet - feuille	S-2