

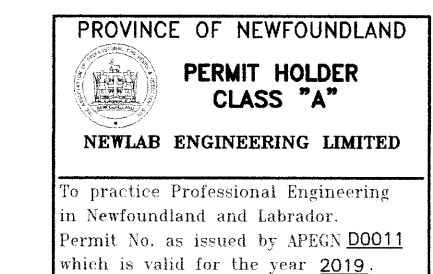
KEY LOCATION PLAN

Prime Consultant

Prime Consultant

Professional Permit

Professional Stamp



Notes

ALL PRECAST CONCRETE UNITS TO: CSA A23.4-09 (r2014)

D	ISSUED FOR ADDENDUM #1	01/04/19	R.B	M.M
C	ISSUED FOR TENDER	21/09/18	R.B	M.M
B	ISSUED FOR 99% REVIEW	13/07/18	R.B	M.M
A	ISSUED FOR 66% REVIEW	21/06/18	R.B	M.M
no.	revision	date	by	approved
no.	revision	date	par	approuvé

Project - projet

CANADIAN COAST GUARD ST. JOHN'S, NL  
SOUTHSIDE BASE PEDESTAL UPGRADE

Drawing - dessin

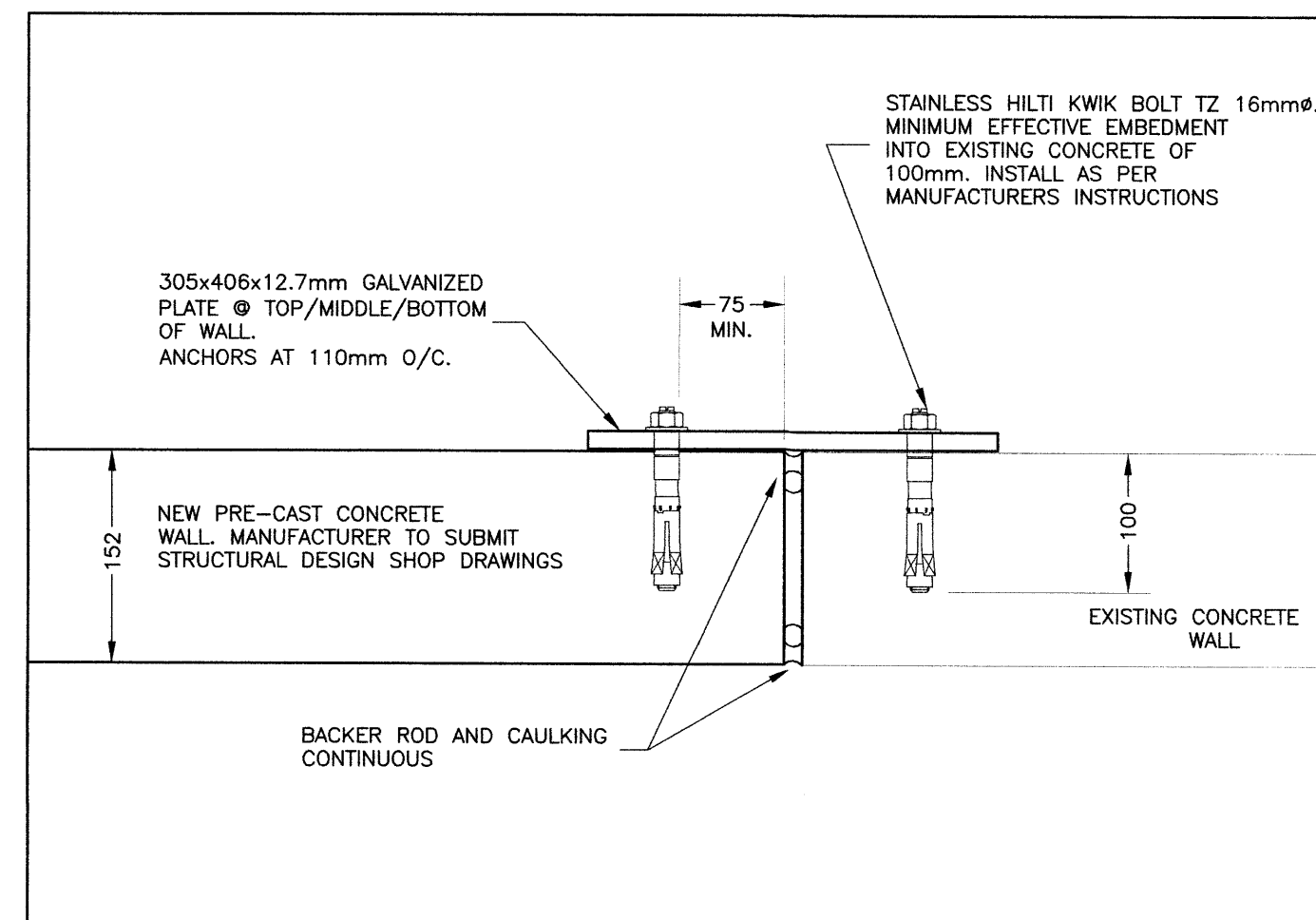
STRUCTURAL MODIFICATIONS  
ELECTRICAL POWER PEDESTAL  
MODIFICATIONS

drawn - dessiné S.L. designed - dessiné par M.M.

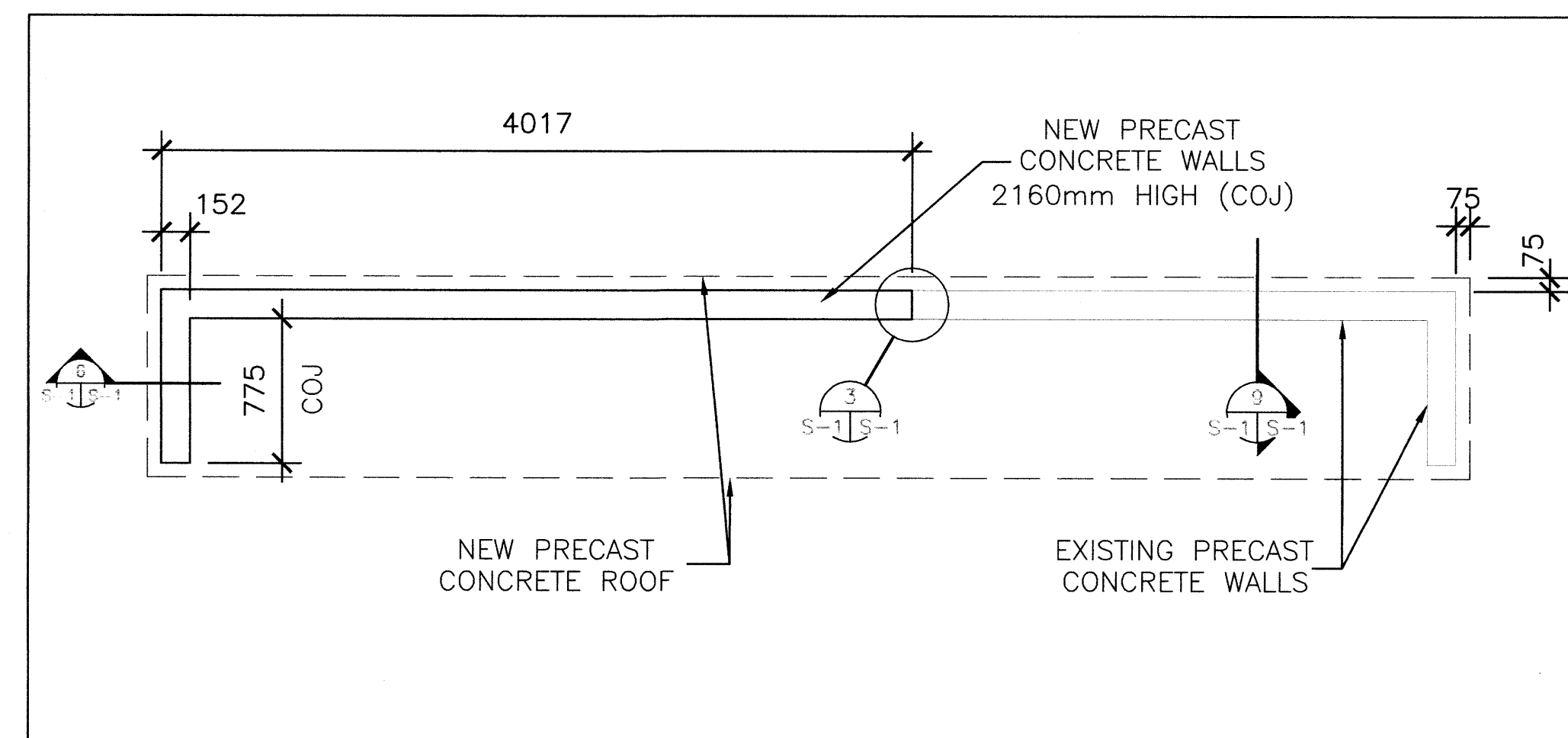
date - date JULY 2018 checked - vérifié R.B.

scale - échelle AS NOTED approved for tender - approuvé pour l'offre

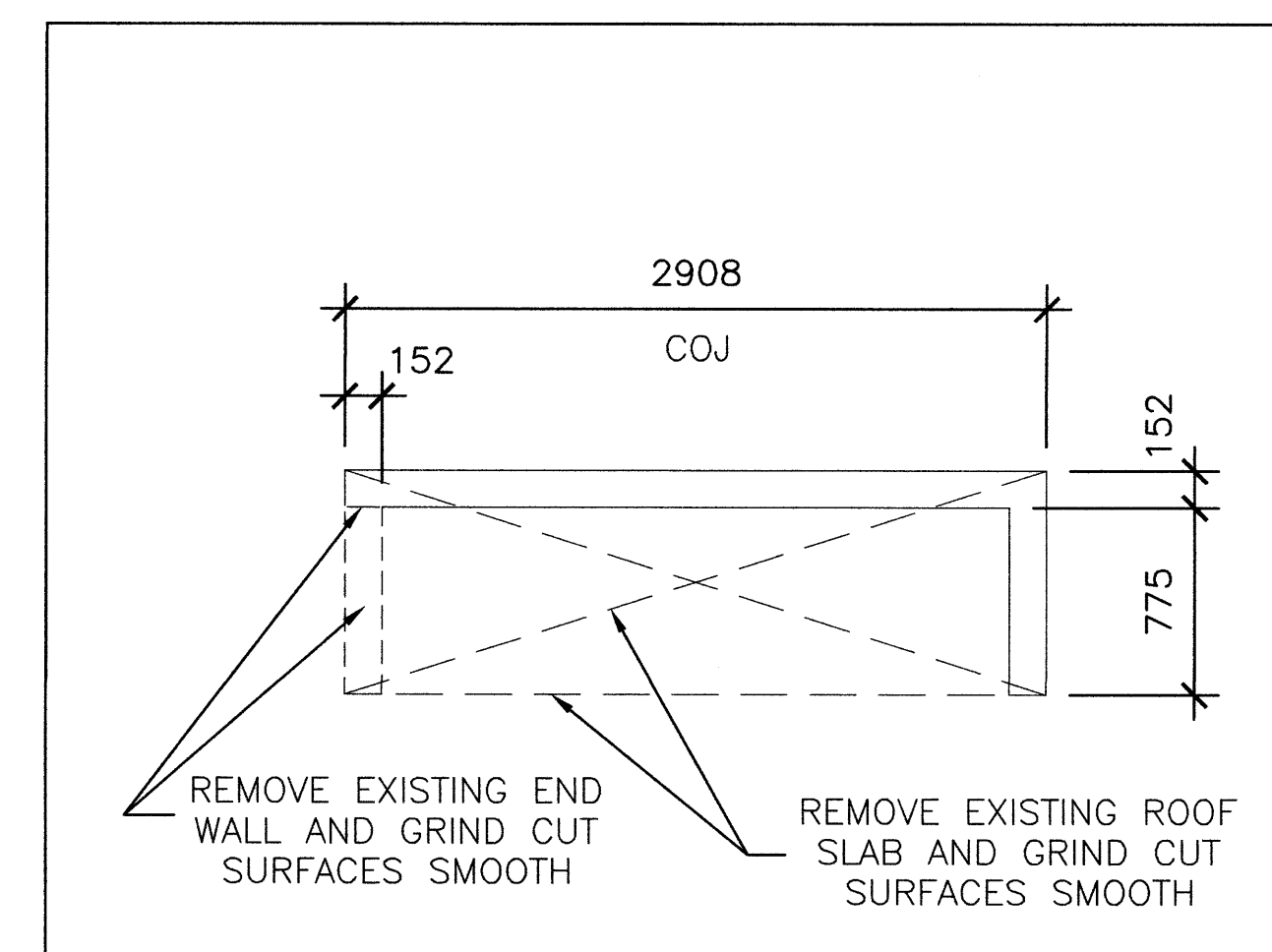
project no. - projet no. F6879-189232 drawing no. - no du dessin 01N1001A522S01 sheet - feuille S-1



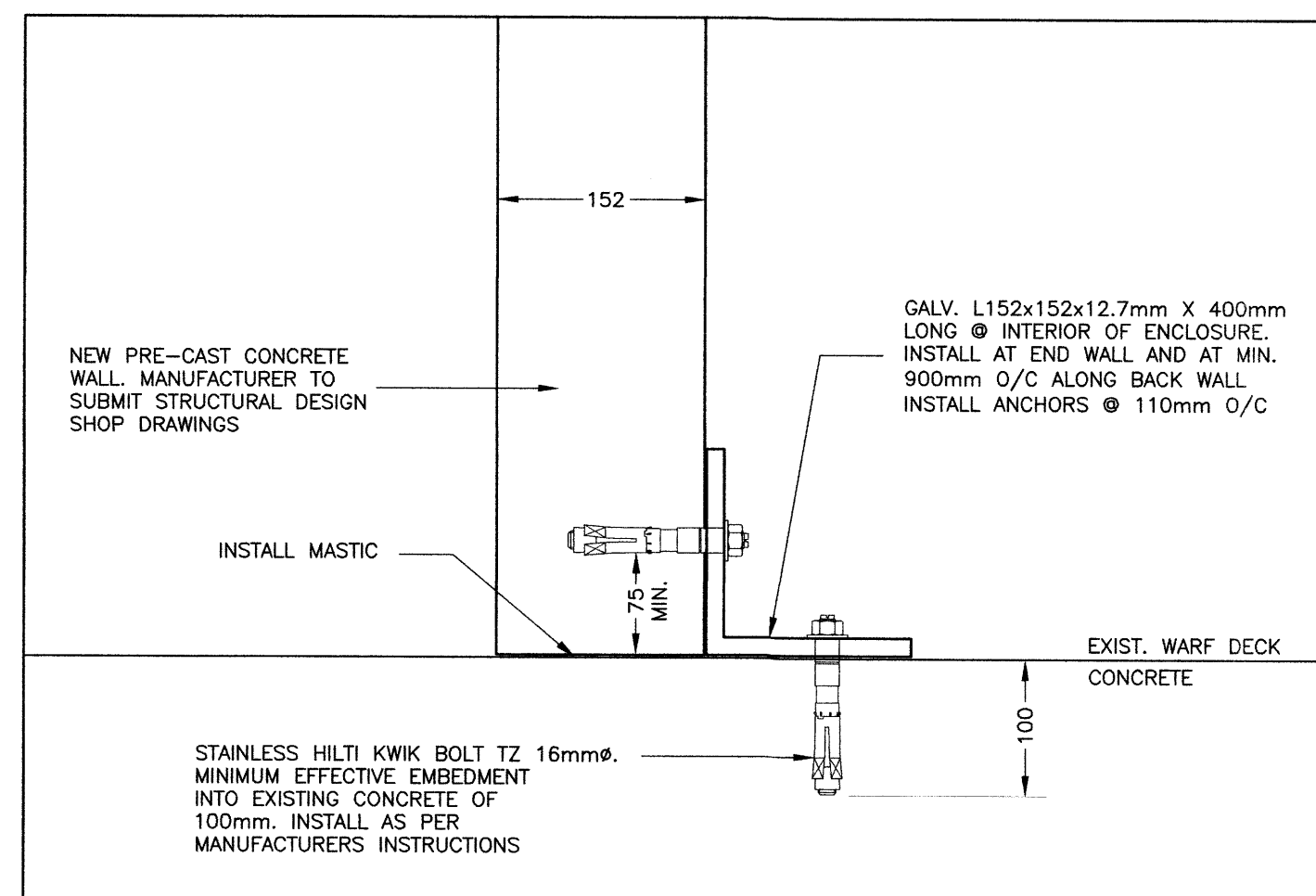
3 WALL TO WALL CONNECTION DETAIL  
S-1 SCALE : 1:5



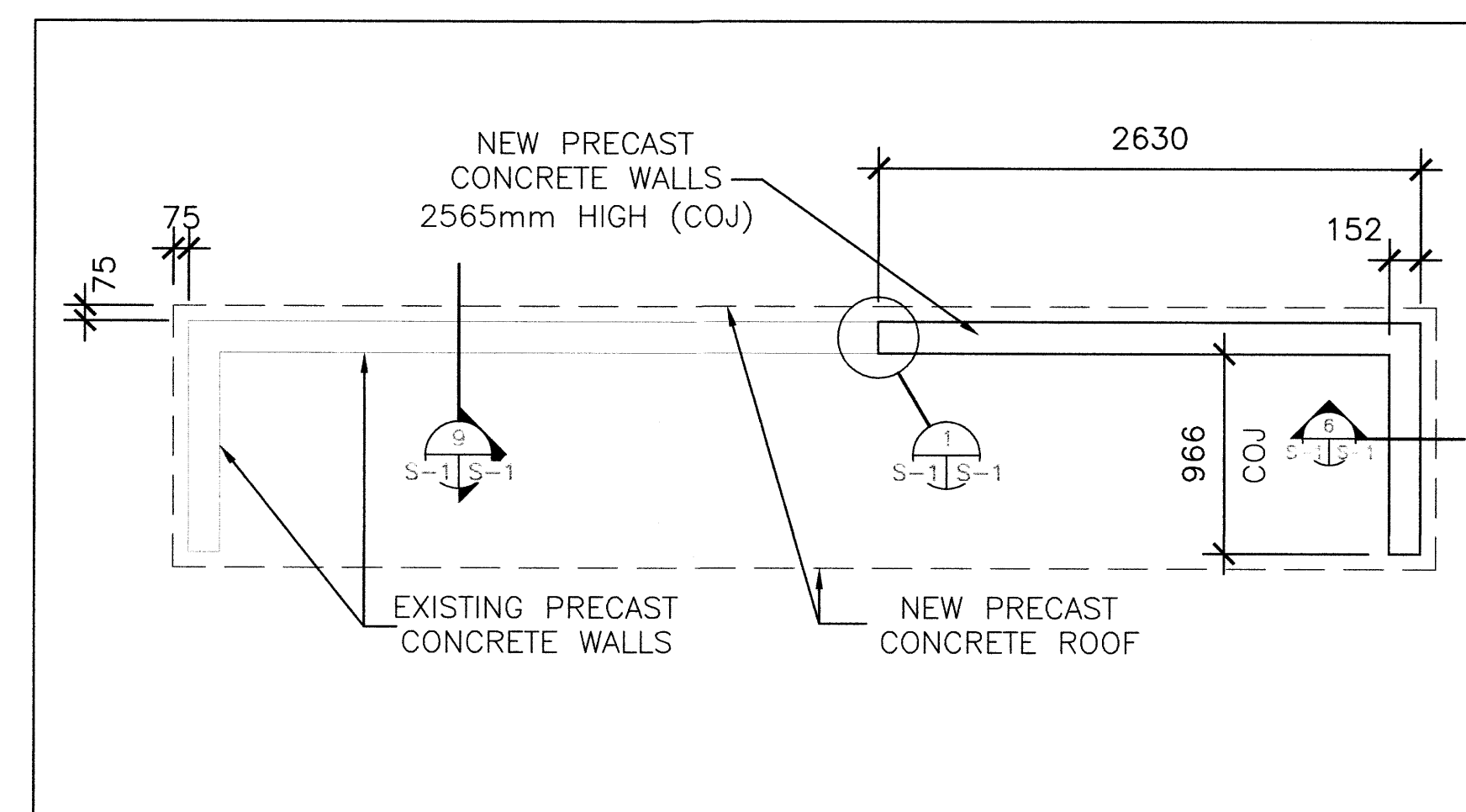
2 POWER PEDESTAL #1 NEW CONDITIONS  
S-1 SCALE : 1:30



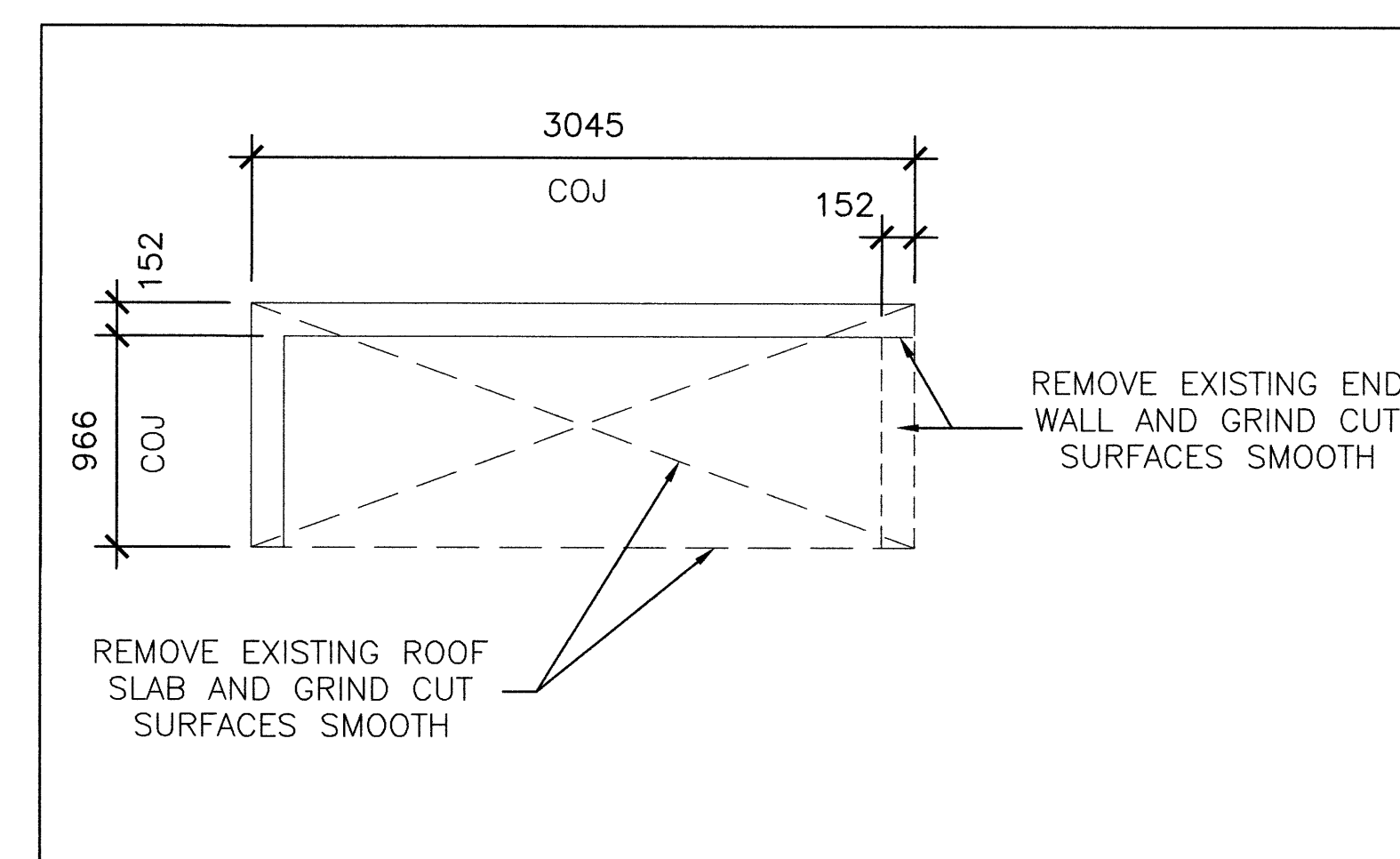
1 POWER PEDESTAL #1 EXISTING / DEMOLITION  
S-1 SCALE : 1:30



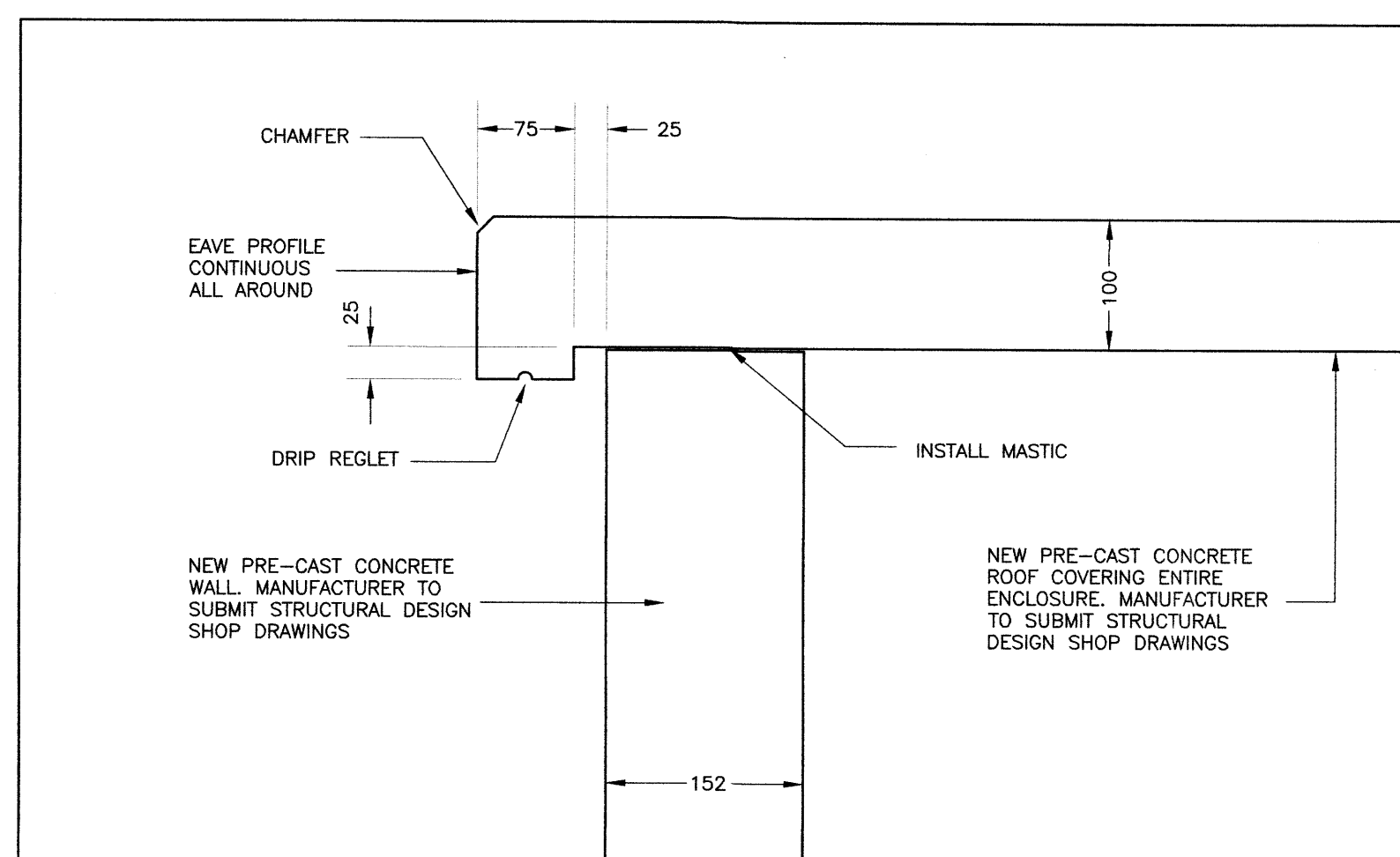
6 WALL TO WHARF DECK CONNECTION DETAIL  
S-1 SCALE : 1:5



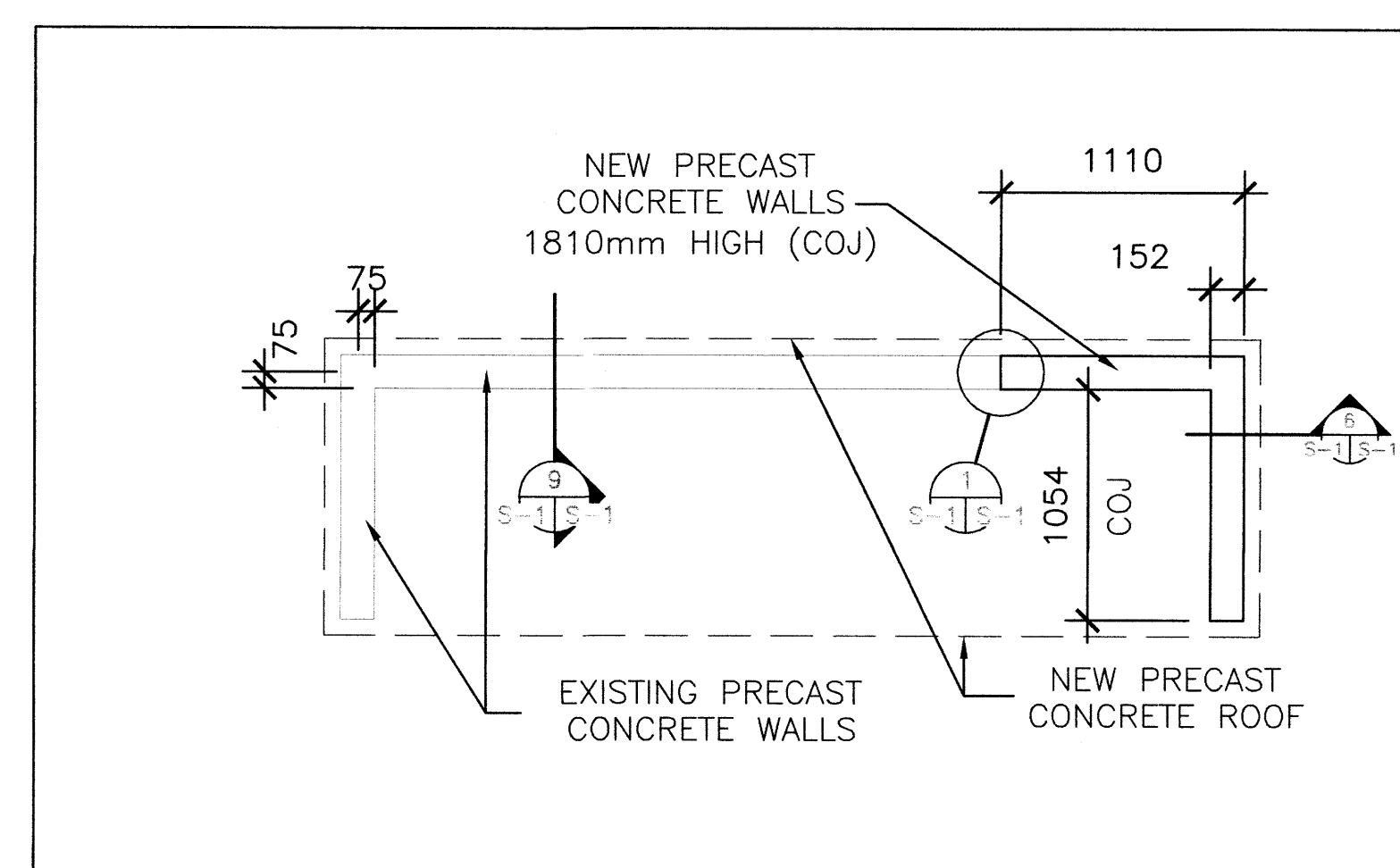
5 POWER PEDESTAL #4 NEW CONDITIONS  
S-1 SCALE : 1:30



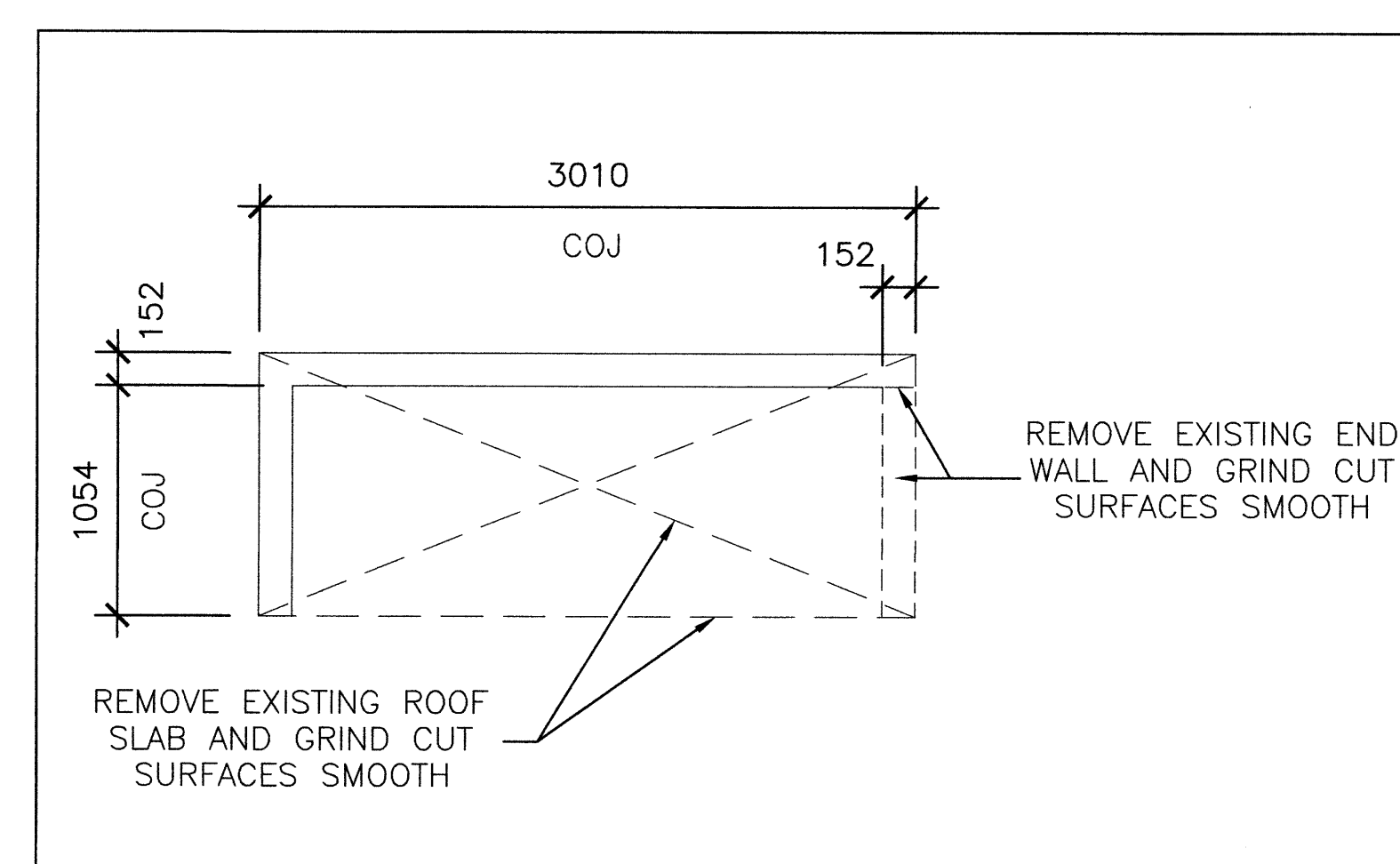
4 POWER PEDESTAL #4 EXISTING / DEMOLITION  
S-1 SCALE : 1:30



9 ROOF TO WALL CONNECTION DETAIL  
S-1 SCALE : 1:5



8 POWER PEDESTAL #5 NEW CONDITIONS  
S-1 SCALE : 1:30



7 POWER PEDESTAL #5 EXISTING / DEMOLITION  
S-1 SCALE : 1:30