



SMALL CRAFT HARBOURS

**POWELL RIVER SOUTH
TIMBER PILE REPLACEMENT 2019**

ISSUE FOR TENDER

DRAWING LIST					
DRAWING NO.	DRAWING TITLE	REVISION			
		0	1	2	3
56138-000	DRAWING LIST	0			
56138-001	SITE PLAN	0			
56138-002	WHARF LAYOUT - PILE REPLACEMENT PLAN	0			
56138-003	WHARF CROSS SECTION TYPICAL - BEARING AND BATTER PILE DETAILS	0			
56138-004	FLOAT MOORING PILE DOLPHIN PLAN AND DETAIL	0			

DO NOT SCALE DRAWINGS

0	ISSUE FOR TENDER	19/05/20
---	------------------	----------

Revision/Revisión Description/Description Date/Date

Client/client

**Fisheries & Oceans Canada
Small Craft Harbours Branch
Pacific Division**

200 - 401 Burrard Street
Vancouver, Canada, V6C 3S4

Project title/Titre du projet

**POWELL RIVER SOUTH
TIMBER PILE REPLACEMENT
2019**

Approved by/Approuvé par

Designed by/Concept par

Drawn by/Dessiné par
RC

PWGC Project Manager/Administrateur de Projets TPSGC

PWGC, Architectural and Engineering Resources Manager/
Ressources Architectural et de Directeur d'ingénierie, TPSGC

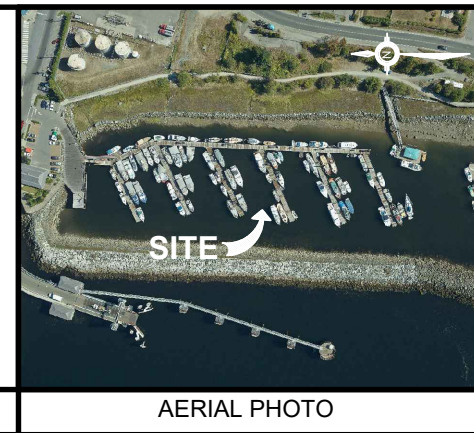
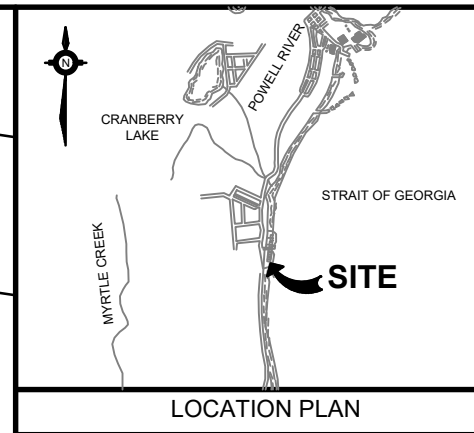
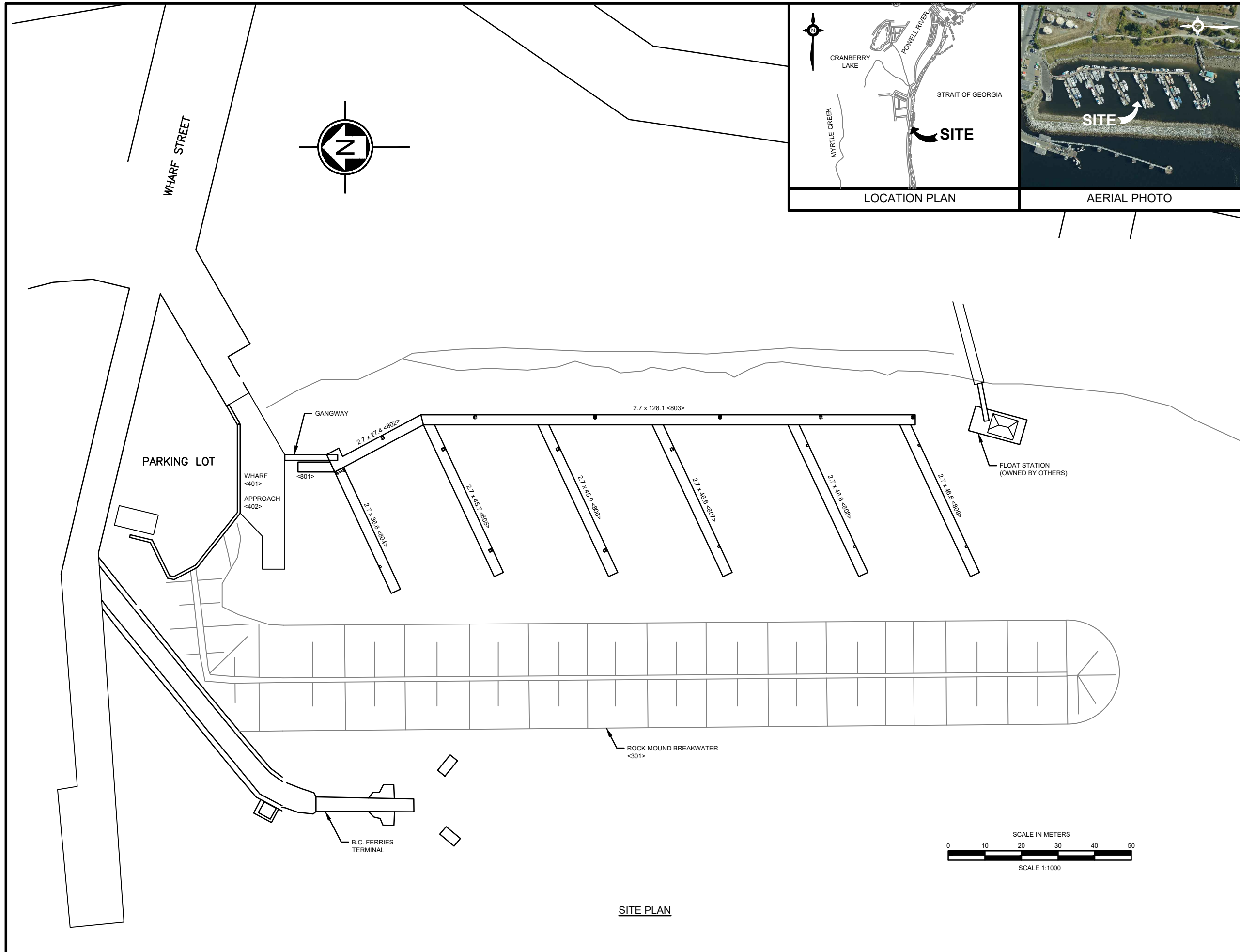
Client/client
SMALL CRAFT HARBOURS

Drawing title/Titre du dessin

DRAWING LIST

Project No./No. du projet 56138	Sheet/Feuille 000 OF	Revision no./ La Révision no. 0
---	-----------------------------------	--






 Public Works and Government Services Canada
 Travaux publics et Services gouvernementaux Canada
REAL PROPERTY SERVICES
 Western Region
SERVICES IMMOBILIERS
 Région de l'ouest

DO NOT SCALE DRAWINGS

0	ISSUE FOR TENDER	19/05/28
---	------------------	----------

Revision/Revision	Description/Description	Date/Date

Client/client
Fisheries & Oceans Canada
Small Craft Harbours Branch
Pacific Division
 200 - 401 Burrard Street
 Vancouver, Canada, V6C 3S4

Project title/Titre du projet
POWELL RIVER SOUTH
TIMBER PILE REPLACEMENT
2019

Approved by/Approuvé par

Designed by/Concept par

Drawn by/Dessiné par
 RC

PWSC Project Manager/Administrateur de Projets TPSGC

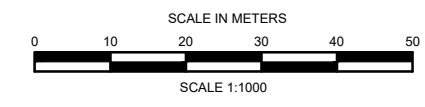
PWSC, Architectural and Engineering Resources Manager/Ressources Architectural et de Directeur d'ingénierie, TPSGC

Client/client
 SMALL CRAFT HARBOURS

Drawing title/Titre du dessin

SITE PLAN

Project No./No. du projet	Sheet/Feuille	Revision no./La Révision no.
56138	001 OF	0



SITE PLAN



DO NOT SCALE DRAWINGS

0	ISSUE FOR TENDER	19/05/29
---	------------------	----------

Revision/Revision Description/Description Date/Date

Client/client

**Fisheries & Oceans Canada
Small Craft Harbours Branch
Pacific Division**

200 - 401 Burrard Street
Vancouver, Canada, V6C 3S4

Project title/Titre du projet

**POWELL RIVER SOUTH
TIMBER PILE REPLACEMENT
2019**

Approved by/Approuvé par

Designed by/Concept par

Drawn by/Dessiné par
RC

PWGC Project Manager/Administrateur de Projets TPSGC

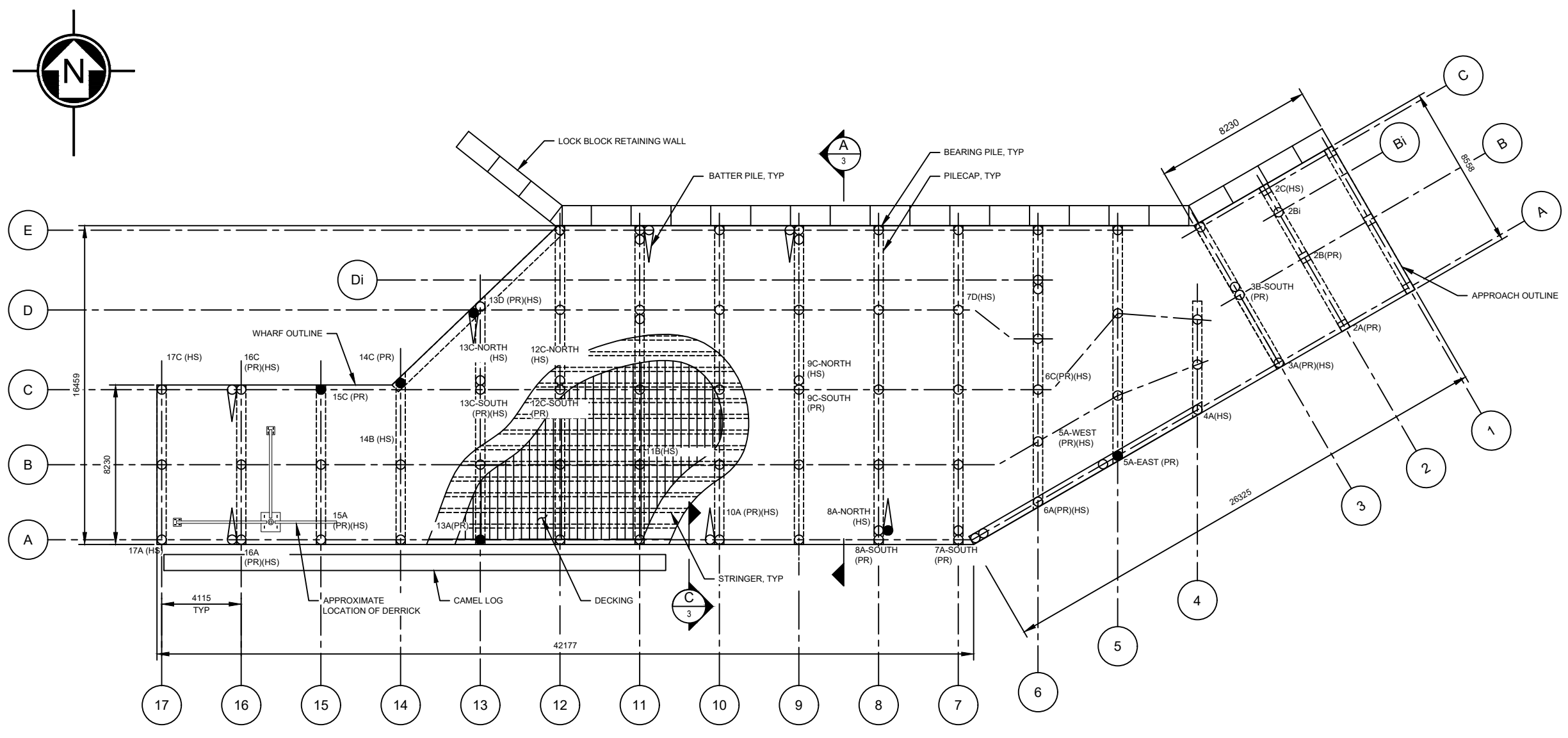
PWGC, Architectural and Engineering Resources Manager/
Ressources Architectural et de Directeur d'ingénierie, TPSGC

Client/client
SMALL CRAFT HARBOURS

Drawing title/Titre du dessin

**WHARF LAYOUT -
PILE REPLACEMENT PLAN**

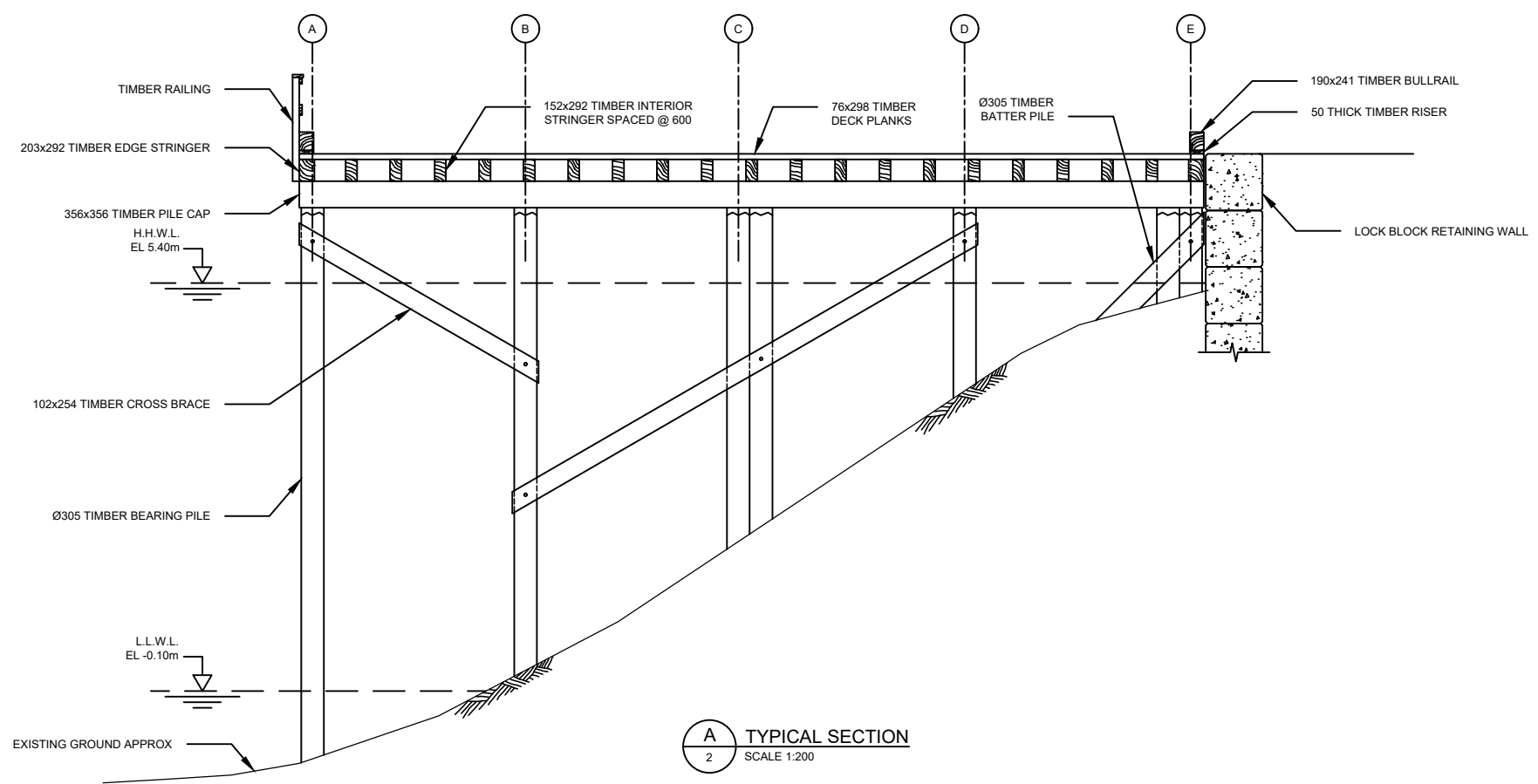
Project No./No. du projet	Sheet/Feuille	Revision no./La Révision no.
56138	002 OF	0



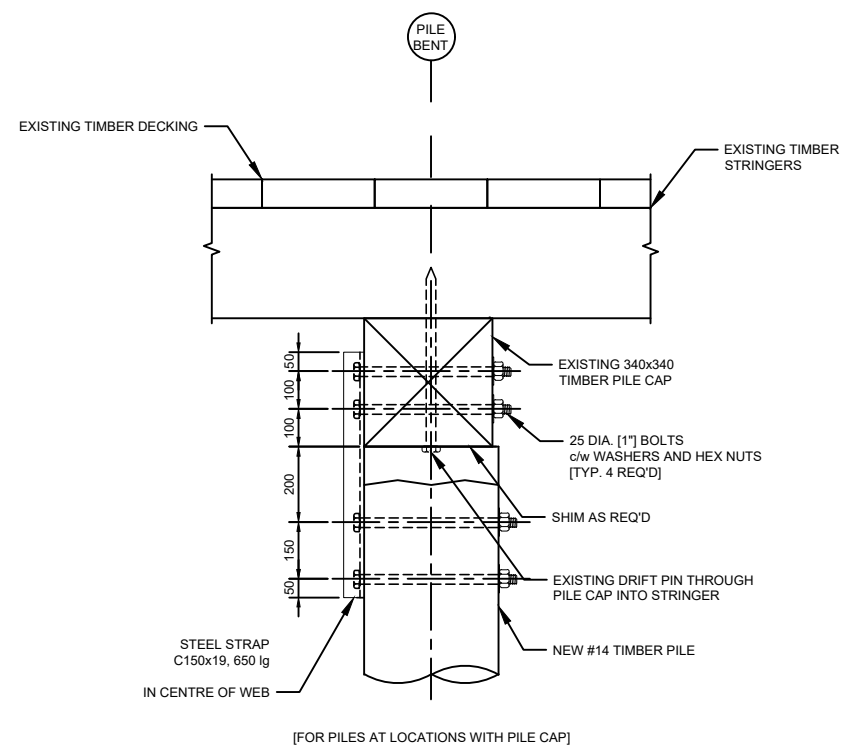
WHARF LAYOUT
SCALE 1:250

REPAIR WORK		
ITEM	LOCATION	DESCRIPTION OF REPAIR WORK
1	BEARING PILE: 5A, 13A, 14C, 15C	REMOVE EXISTING PILE AND INSTALL NEW TIMBER BEARING PILE. SHIM THE NEW PILE AS REQUIRED. FASTEN THE NEW PILE TO PILE CAP AS PER "TYPICAL PILE CAP STRAP DETAIL" SHEET 003.
2	BATTER PILE: 8A, 13D	REMOVE EXISTING PILE AND INSTALL NEW TIMBER BATTER PILE. FASTEN THE BATTER PILE TO THE VERTICAL PIE AS SHOWN AS PER DETAIL C SHEET 003.

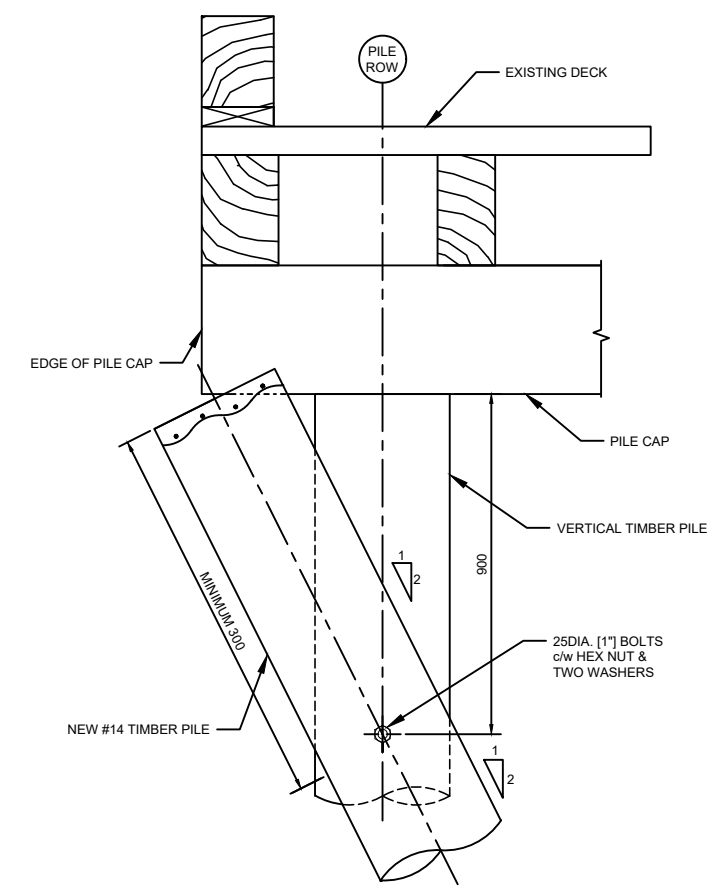




A TYPICAL SECTION
2 SCALE 1:200



TYPICAL PILE CAP STRAP DETAIL
SCALE 1:20



C SECTION
2 SCALE 1:20

DO NOT SCALE DRAWINGS

Revision/Revision	Description/Description	Date/Date
0	ISSUE FOR TENDER	19/05/29

Client/client
**Fisheries & Oceans Canada
Small Craft Harbours Branch
Pacific Division**
200 - 401 Burrard Street
Vancouver, Canada, V6C 3S4

Project title/Titre du projet
**POWELL RIVER SOUTH
TIMBER PILE REPLACEMENT
2019**

Approved by/Approuvé par
Designed by/Concept par
Drawn by/Dessiné par
RC
PWGSC Project Manager/Administrateur de Projets TPSGC

PWGSC, Architectural and Engineering Resources Manager/
Ressources Architectural et de Directeur d'ingénierie, TPSGC

Client/client
SMALL CRAFT HARBOURS
Drawing title/Titre du dessin
**WHARF CROSS SECTION BEARING
AND BATTER PILE DETAILS**

Project No./No. du projet	Sheet/Feuille	Revision no./ La Révision no.
56138	003 OF	0



DO NOT SCALE DRAWINGS

0	ISSUE FOR TENDER	19/05/29
Revision/Revision	Description/Description	Date/Date

Client/client
**Fisheries & Oceans Canada
Small Craft Harbours Branch
Pacific Division**
200 - 401 Burrard Street
Vancouver, Canada, V6C 3S4

Project title/Titre du projet
**POWELL RIVER SOUTH
TIMBER PILE REPLACEMENT
2019**

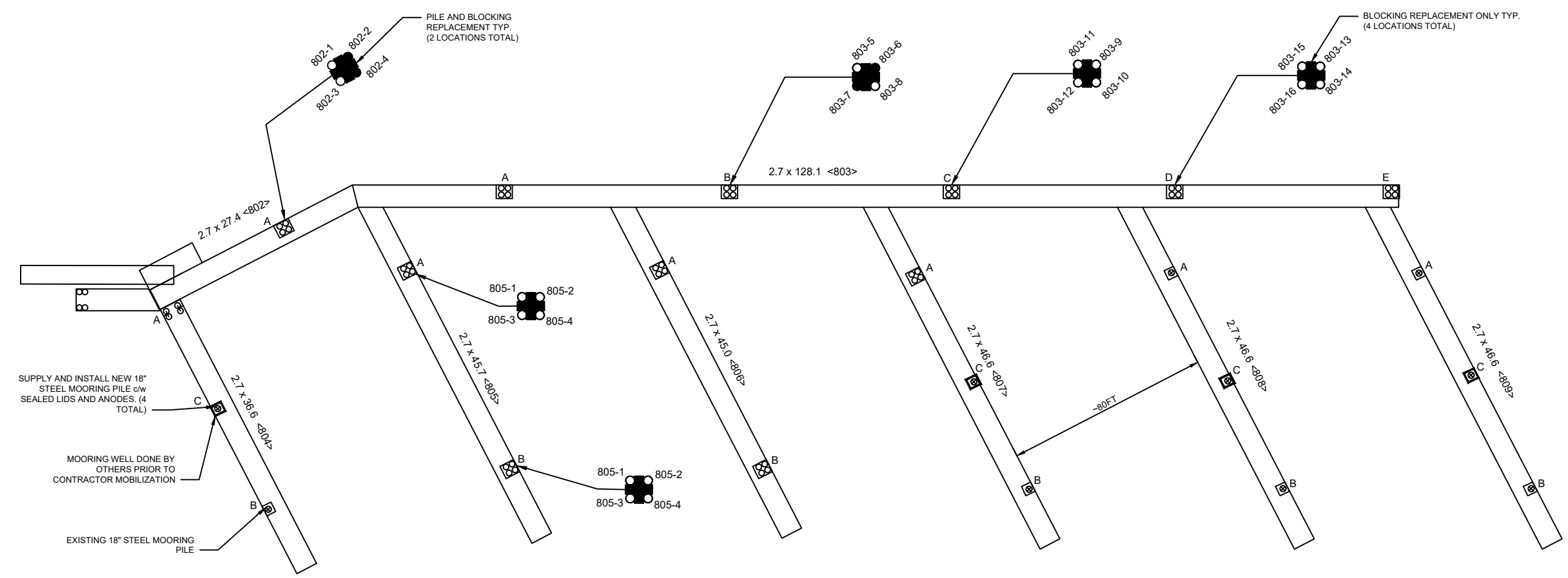
Approved by/Approuvé par
Designed by/Concept par
Drawn by/Dessiné par
RC
PWGSC Project Manager/Administrateur de Projets TPSGC

PWGSC, Architectural and Engineering Resources Manager/
Ressources Architectural et de Directeur d'ingénierie, TPSGC

Client/client
SMALL CRAFT HARBOURS

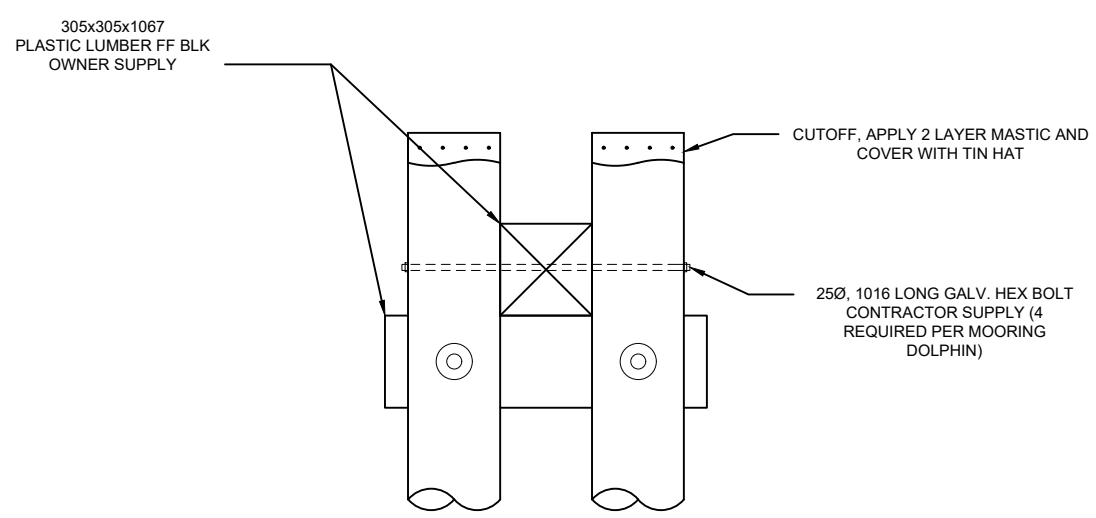
Drawing title/Titre du dessin
**FLOAT MOORING PILE DOLPHIN
PLAN AND DETAIL**

Project No./No. du projet 56138	Sheet/Feuille 004 OF	Revision no./ La Révision no. 0
---	-----------------------------------	--



FLOAT MOORING PILES AND BLOCKING REPLACEMENT PLAN
SCALE 1:600

REPAIR WORK		
FLOAT NO.	MOORING DOLPHIN LABEL	DESCRIPTION OF REPAIR WORK
802	A	REPLACE PILE 802-2, 802-4. REPLACE ALL TIMBER BLOCKING WITH OWNER SUPPLY PLASTIC LUMBER BLOCKING.
803	B	REPLACE PILE 803-7, 803-6. REPLACE ALL TIMBER BLOCKING WITH OWNER SUPPLY PLASTIC LUMBER BLOCKING.
803	C	REPLACE ALL TIMBER BLOCKING WITH OWNER SUPPLY PLASTIC LUMBER BLOCKING.
803	D	REPLACE ALL TIMBER BLOCKING WITH OWNER SUPPLY PLASTIC LUMBER BLOCKING.
804*	C	SUPPLY AND INSTALL ONE (1) 18"x0.5"x50FT LONG STEEL PIPE PILE C/W SEALED LIDS AND ANODE. MIN 4.6m PENETRATION.
805	A	REPLACE ALL TIMBER BLOCKING WITH OWNER SUPPLY PLASTIC LUMBER BLOCKING.
805	B	REPLACE ALL TIMBER BLOCKING WITH OWNER SUPPLY PLASTIC LUMBER BLOCKING.
807*	C	SUPPLY AND INSTALL ONE (1) 18"x0.5"x50FT LONG STEEL PIPE PILE C/W SEALED LIDS AND ANODE. MIN 4.6m PENETRATION.
808*	C	SUPPLY AND INSTALL ONE (1) 18"x0.5"x50FT LONG STEEL PIPE PILE C/W SEALED LIDS AND ANODE. MIN 4.6m PENETRATION.
809*	C	SUPPLY AND INSTALL ONE (1) 18"x0.5"x50FT LONG STEEL PIPE PILE C/W SEALED LIDS AND ANODE. MIN 4.6m PENETRATION.



2 TYPICAL MOORING DETAIL
SCALE 1:25

*NOTE: STRAIGHTEN THE FLOATS PRIOR TO ADDITIONAL MOORING PILE INSTALLATION.

