

FISHERIES AND OCEANS
CANADA

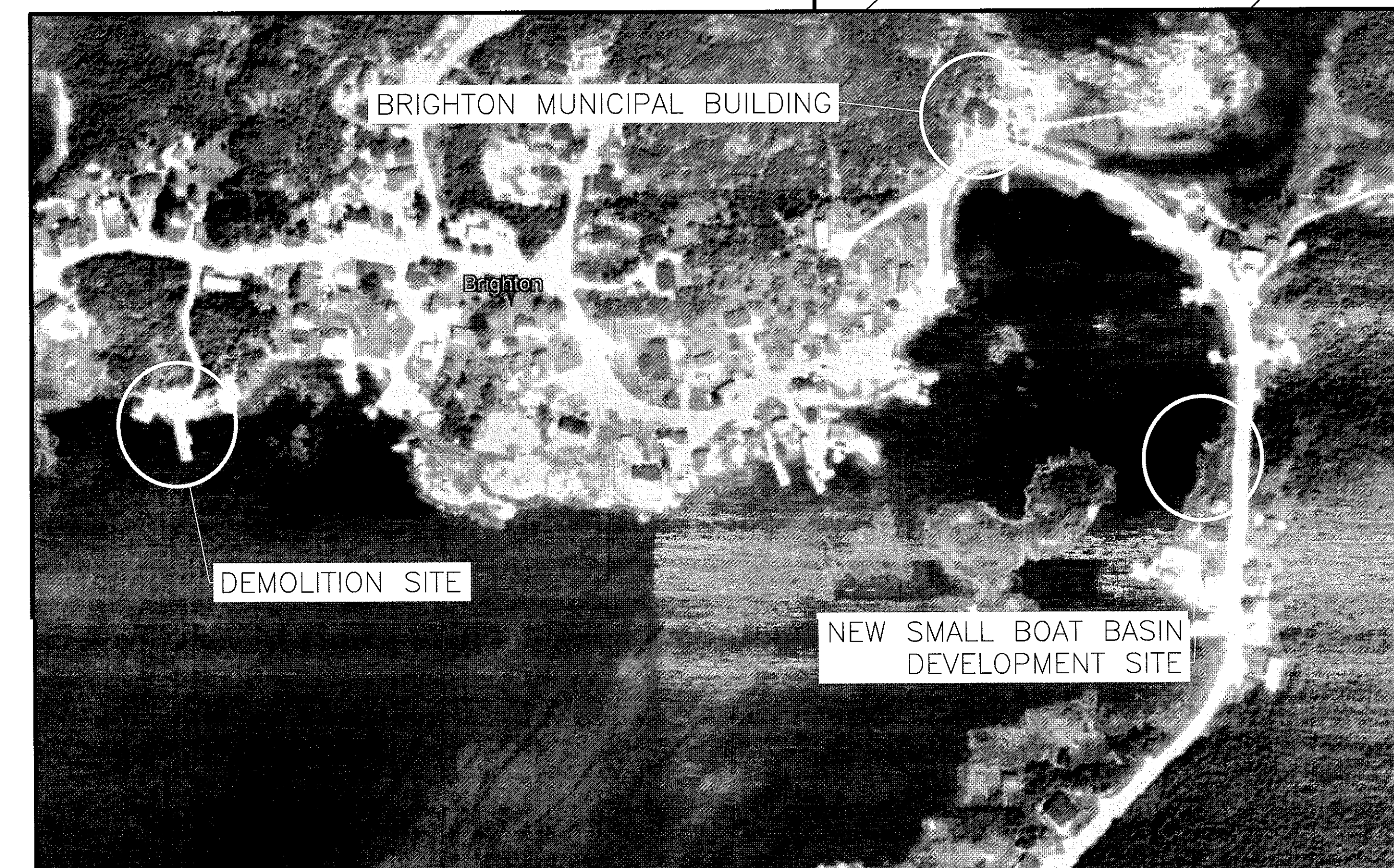
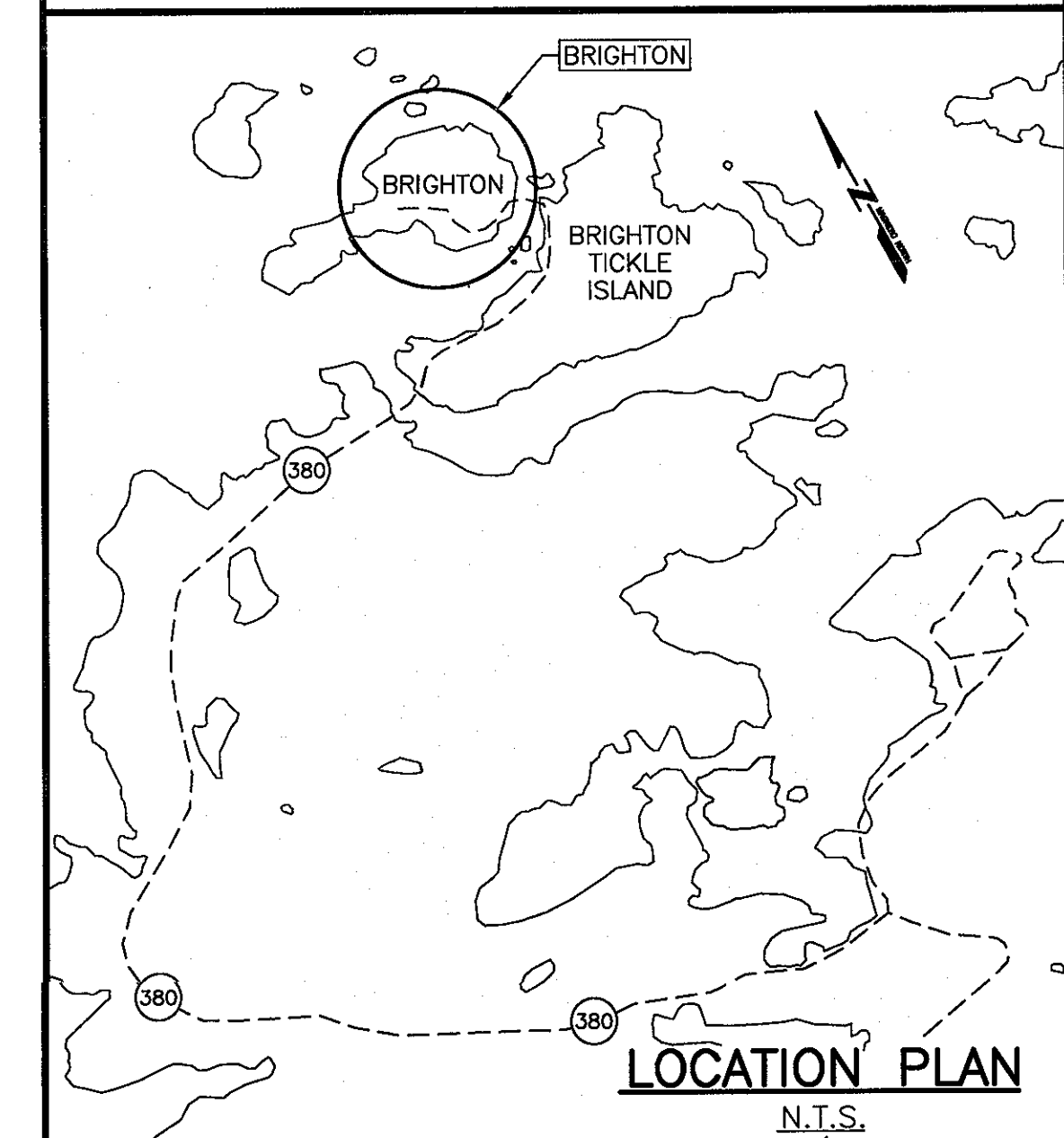
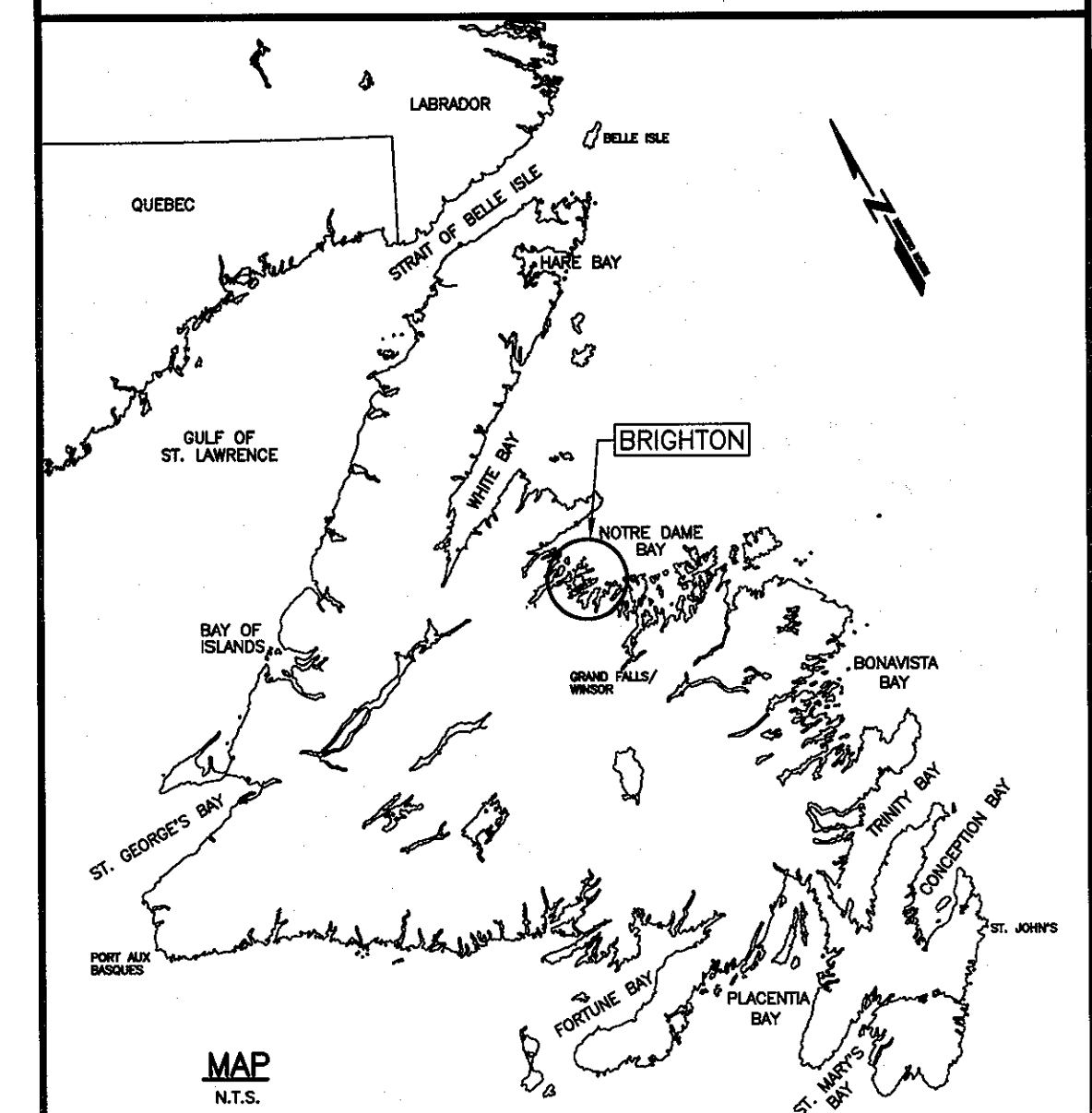
SMALL BOAT BASIN DEVELOPMENT BRIGHTON NEWFOUNDLAND AND LABRADOR

PROJECT No. 722335
ISSUED FOR TENDER

LIST OF DRAWINGS:

C1 OF 10	DEMOLITION PLAN - WHARF SITE
C2 OF 10	DEMOLITION DETAILS AT WHARF SITE
C3 OF 10	NEW SMALL BOAT DEVELOPMENT SITE
C4 OF 10	FLOATING DOCK SUPPORT CRIB
C5 OF 10	ANCHORS FOR FLOATING DOCKS
C6 OF 10	FLOATING DOCKS PLANS, ELEVATIONS AND DETAILS
C7 OF 10	FLOATING DOCKS PLANS, ELEVATIONS AND DETAILS
C8 OF 10	FLOATING DOCK DETAILS
C9 OF 10	GANGWAY DETAILS
C10 OF 10	SECTIONS - GRAVEL LAUNCH AND UPLANDS

SMALL CRAFT HARBOURS



N 5 489 350 +
N 5 489 325 +
N 5 489 300 +
N 5 489 275 +
N 5 489 250 +
N 5 489 225 +
N 5 489 200 +
E 988 100 +
E 988 125 +
E 988 150 +
E 988 225 +

SURVEY NOTES

SURVEY PARTY CHIEF RICHARD HEALEY
 SURVEY VESSEL ALUMINUM BOAT
 SURVEY DATE(S) BETWEEN APRIL 30, 2019 & MAY 02, 2019
 SOUNDER TYPE: SINGLE TRANSDUCER
 SOUNDER SETTING MIN/INST VEL. OF SOUND 1484 m/s
 DEPTH GATE USED N/A FREQ. OF TRANS. 200 KHZ
 POSITIONING SYSTEM USED TRIMBLE R7 GNSS DGPS (WITH OTF)
 LAND SURVEY POSITION BY TRIMBLE R7 GNSS DGPS (WITH OTF)
 DATA TAPE/DISC(S) USED
 CAD DRAWING FILE(S)
 TIDAL REDUCTION SCHEME

OFFICE PROCESSOR EDDIE BEARNS
 DATE OF PROCESSING MAY 2019
 MODE OF PLOTTING LEAST OF MINIMUM DEPTHS
 MATRIX CELL WIDTH X LENGTH
 REDUCTION OF MATRIX CELLS

CONTROL POINTS:	PL. NAME	EASTING	NORTHING	CD ELEV	DESCRIPTION
	91G7048	598229.392	5489358.757		PROVINCIAL BRASS PLAQUE SET IN BEDROCK
	91G7052	598223.821	5489223.821		PROVINCIAL BRASS PLAQUE SET IN BEDROCK
	PWC 1-2019	598184.406	5489234.758	+2.807m	NAIL SET IN CONCRETE DECK
	PWC 2-2019	598778.239	5498373.274	+3.852m	NAIL DRIVEN IN CUT OFF GUARDRAIL POST
	PWC 3-2019	598675.945	5498348.135	+2.210m	NAIL SET IN CONCRETE BLOCK
	PWC 4-2019	598166.564	5498256.137	+4.720m	NAIL SET IN BEDROCK

ALL SOUNDINGS & ELEVATIONS IN METRES.

ALL SOUNDINGS & ELEVATIONS REFERRED TO PWC 1-2019 ELEV. +2.807 m (BOLT SET IN CONCRETE DECK) AND WAS ESTABLISHED FROM GEODETIC BM 91G7052 ELEV. 2.70m.

NOTE: PWC USED A DIFFERENCE OF 0.96m AS THE DIFFERENCE BETWEEN CHART & GEODETIC DATUMS. IT WAS SUPPLY TO PWC BY CHARLIE O'REILLY OF CHS.

SOUNDINGS TAKEN USING NAVISOUND 210 ECHO SOUNDER AND POSITIONED BY TRIMBLE R7 GNSS DIFFERENTIAL GPS POSITIONING SYSTEM ON MAY 01, 2019 BY PWSC SURVEY CREW.

COORDINATES FOR HORIZONTAL CONTROL ARE GIVEN ON THE U.T.M. MAPPING PLANE, ZONE 21, USING THE NORTH AMERICAN DATUM OF 1983(NAD83).

SOUNDINGS WERE REDUCED BY DIGITRACE & RE-CHECKED FROM SOUNDING CHARTS BEFORE BEING CORRECTED FOR TIDE & BAR CHECK CORRECTION.

SOUNDINGS WERE REDUCED USING HYPACK MAX VER. 2013"A".

SPEED OF SOUND WAS OBTAINED USING A DIGIBAR-PRO VELOCIMETER.

ALL FIELD NOTES ARE IN BRIGHTON BOOK #999.

LEGEND

SYMBOLS

- | | |
|----------------------|--------------------|
| ACQUACULTURE | LADDER |
| ANCHOR BLOCK | LIFE RING |
| BOLLARD | LIGHT STANDARD |
| BOREHOLE | MANHOLE |
| BOUNDARY MARKER | MARSH |
| CARD POSITION BUOY | MAST/TOWER |
| CATCH BASIN | NAVIGATION LIGHT |
| CLEAT | OBSERVED BUOY |
| CULVERT | OBSERVED SPAR BUOY |
| DERRICK | PIPE PILE |
| DISPOSAL | RANGE LIGHT |
| DREDGE CONTROL | SAFETY POST |
| ELECTRICAL OUTLET | SEWER OUTFLOW PIPE |
| FIRE HYDRANT | SIGN |
| FIRST AID | TELEPHONE |
| FISH HANDLING EQUIP. | TELEPHONE POLE |
| FOG HORN | TIDE GAUGE/STAFF |
| FUEL PUMP | TREE |
| H PILE | UTILITY POLE |
| HORIZONTAL CONTROL | VERTICAL CONTROL |
| ICE PLANT | WATER TAP/OUTLET |
| INVERT PIPE | WATER VALVE |
| JIB CRANE | WOOD WELL |
| FLAG POLE | WOOD PILE |

LINE TYPE

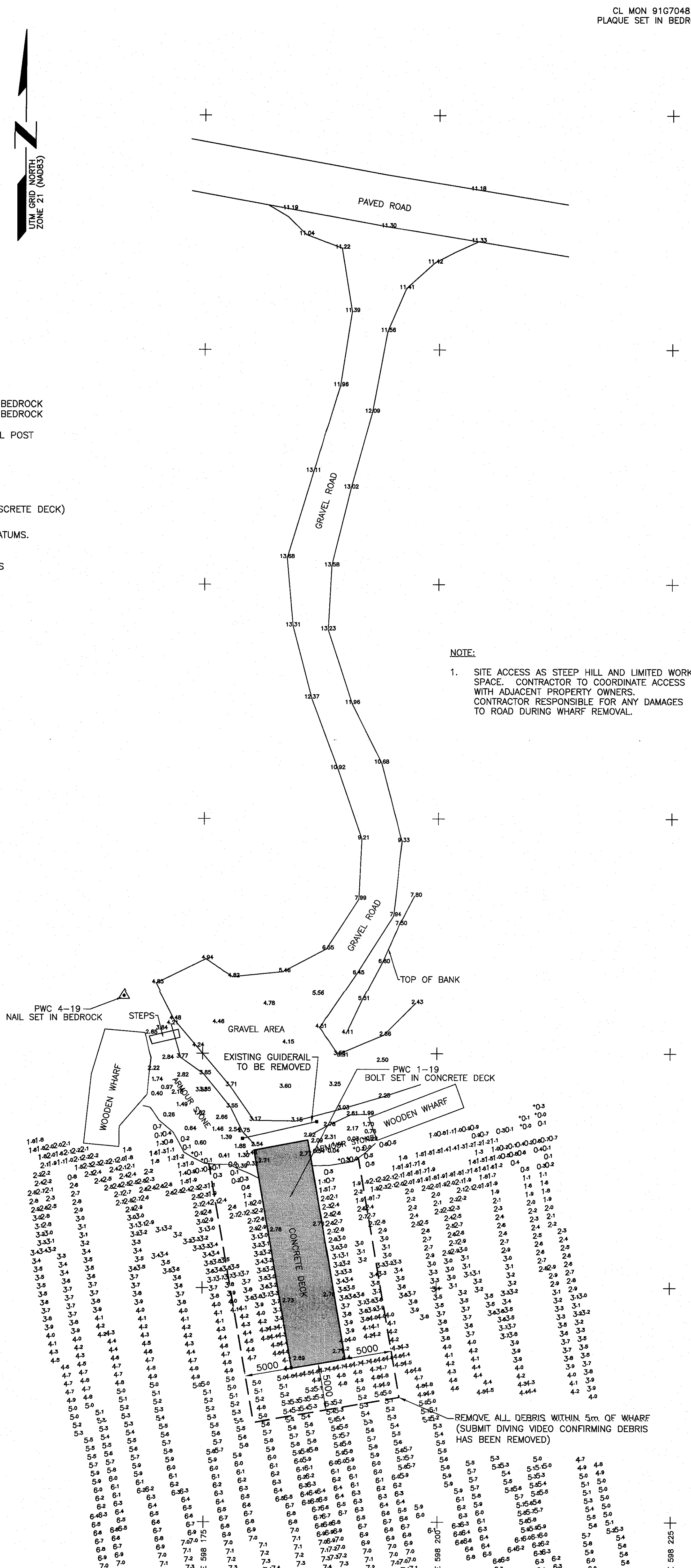
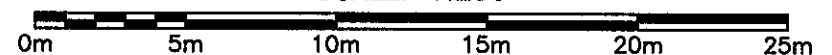
- | | |
|----------------------|-----------------------|
| ARMOUR STONE | MARSH OUTLINE |
| CL RAILROAD | PROPERTY BOUNDARY |
| DRAIN PIPE | RANGE LIGHT EXTENSION |
| EDGE ROAD / SHOULDER | RETAINING WALL |
| FENCE LINE | RRROAD |
| FLOATING WAIVERBREAK | TOE OF BANK |
| GUARD RAIL | TREE LINE |
| HIGH WATER MARK | UNDERGROUND CABLE |
| LOW WATER MARK | |

LEGEND:

INDICATES WHARF TO BE DEMOLISHED

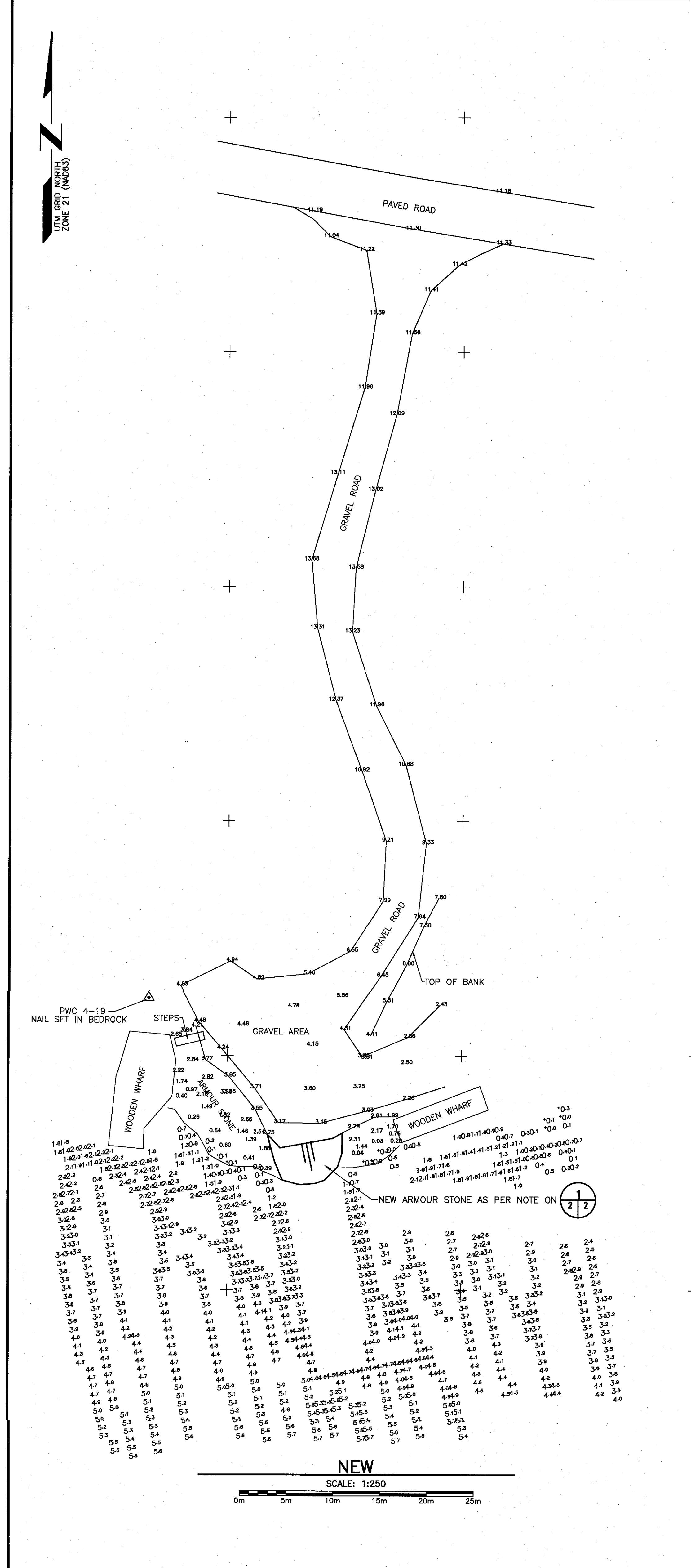
EXISTING

SCALE: 1:250



NOTE:

- SITE ACCESS AS STEEP HILL AND LIMITED WORK SPACE. CONTRACTOR TO COORDINATE ACCESS WITH ADJACENT PROPERTY OWNERS. CONTRACTOR RESPONSIBLE FOR ANY DAMAGES TO ROAD DURING WHARF REMOVAL.



Fisheries and Oceans Canada / Pêche et Océans Canada

SMALL CRAFT HARBOURS

NOTES:
 1. ALL ELEVATIONS ARE IN METRES UNLESS OTHERWISE NOTED.
 2. ALL DIMENSIONS ARE IN MILLIMETRES UNLESS OTHERWISE NOTED.

PROVINCE OF NEWFOUNDLAND
 PERMIT HOLDER
 This Permit Allows
 APN ENGINEERING INC.

To practice Professional Engineering in Newfoundland and Labrador, P.E. #103 Permit No. as issued by APENET, F0282, which is valid for the year 2019.

STAMP
 REGISTERED PROFESSIONAL ENGINEER
 NEL C. HUNT
 2019-07-10
 2019-07-10
 NEWFOUNDLAND & LABRADOR

B	ISSUED FOR TENDER	6/11/19
A	ISSUED FOR REVIEW	6/7/19
revisions		date
project		project

SMALL BOAT BASIN DEVELOPMENT

BRIGHTON, NL

drawing: design

DEMOLITION PLAN - WHARF SITE

designed N.H. concu
 date JUNE 11, 2019
 drawn P.H. design.
 date JUNE 11, 2019
 approved approve

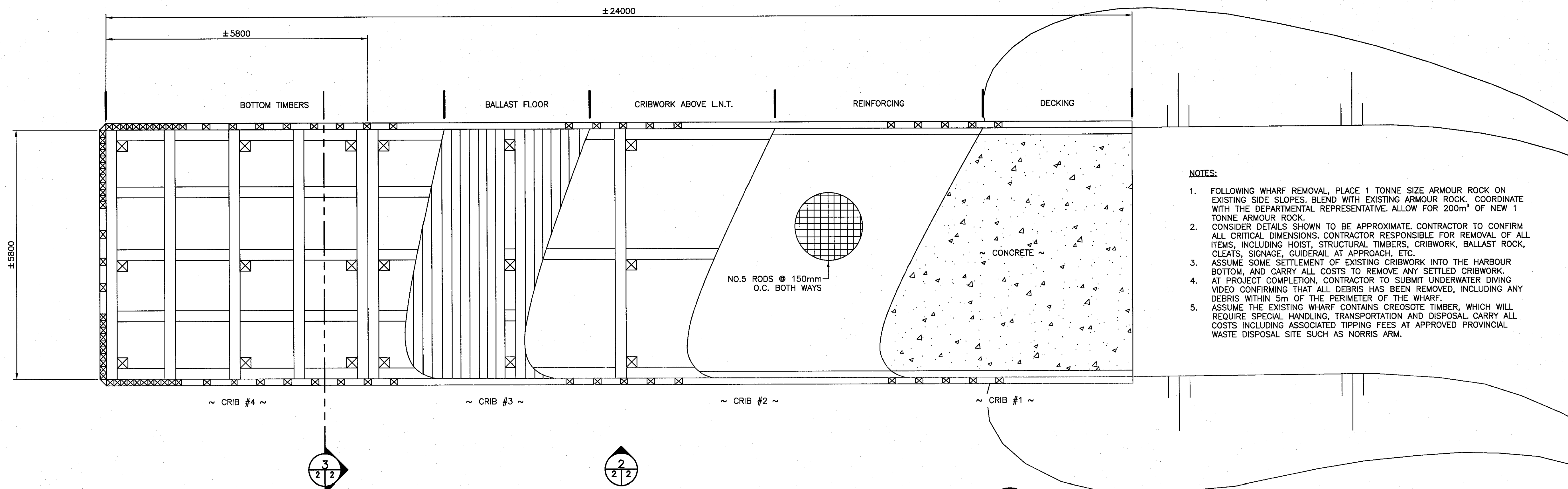
Tender Paul Curran
 DFO Project Manager
 project number 722335 no. du projet
 drawing no. C1 no. du dessin

EDRW Document No.

SMALL CRAFT HARBOURS



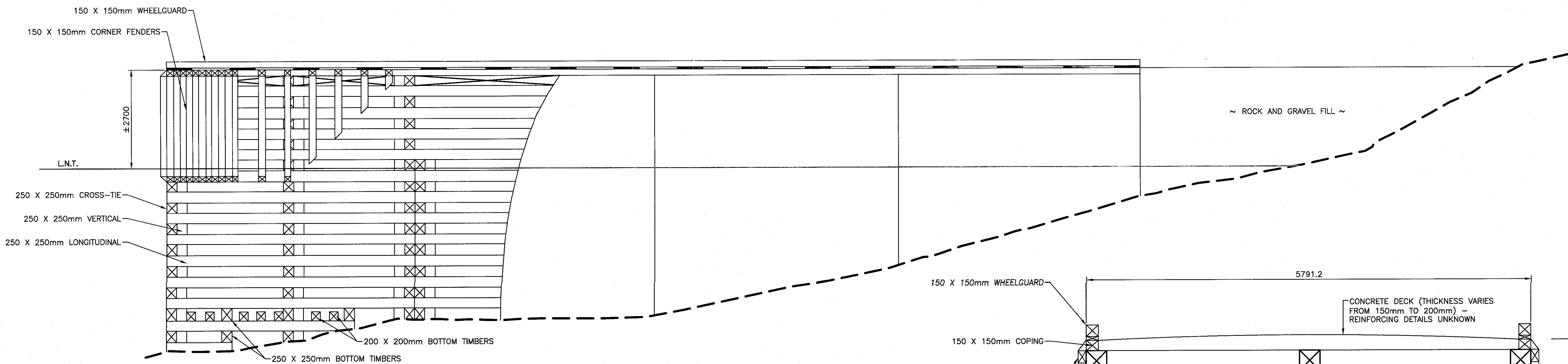
- NOTES:
1. ALL ELEVATIONS ARE IN METRES UNLESS OTHERWISE NOTED.
 2. ALL DIMENSIONS ARE IN MILLIMETRES UNLESS OTHERWISE NOTED.



- NOTES:
1. FOLLOWING WHARF REMOVAL, PLACE 1 TONNE SIZE ARMOUR ROCK ON EXISTING SIDE SLOPES, BLEND WITH EXISTING ARMOUR ROCK, COORDINATE WITH THE DEPARTMENTAL REPRESENTATIVE. ALLOW FOR 200m² OF NEW 1 TONNE ARMOUR ROCK.
 2. CONSIDER DETAILS SHOWN TO BE APPROXIMATE. CONTRACTOR TO CONFIRM ALL CRITICAL DIMENSIONS. CONTRACTOR RESPONSIBLE FOR REMOVAL OF ALL ITEMS, INCLUDING HOIST, STRUCTURAL TIMBERS, CRIBWORK, BALLAST ROCK, CLEATS, SIGNAGE, GUIDERAIL AT APPROACH, ETC.
 3. ASSUME SOME SETTLEMENT OF EXISTING CRIBWORK INTO THE HARBOUR BOTTOM, AND CARRY ALL COSTS TO REMOVE ANY SETTLED CRIBWORK.
 4. AT PROJECT COMPLETION, CONTRACTOR TO SUBMIT UNDERWATER DIVING VIDEO CONFIRMING THAT ALL DEBRIS HAS BEEN REMOVED, INCLUDING ANY DEBRIS WITHIN 5m OF THE PERIMETER OF THE WHARF.
 5. ASSUME THE EXISTING WHARF CONTAINS CREOSOTE TIMBER, WHICH WILL REQUIRE SPECIAL HANDLING, TRANSPORTATION AND DISPOSAL. CARRY ALL COSTS INCLUDING ASSOCIATED TIPPING FEES AT APPROVED PROVINCIAL WASTE DISPOSAL SITE SUCH AS NORRIS ARM.

PLAN
SCALE : N.T.S.

PROVINCE OF NEWFOUNDLAND
PERMIT HOLDER
This Permit Allows
APN ENGINEERING INC.
To practice Professional Engineering
in Newfoundland and Labrador. Permit No. as issued by APREG. P0582
which is valid for the year 2019.



ELEVATION
SCALE : N.T.S.

SECTION
SCALE : N.T.S.

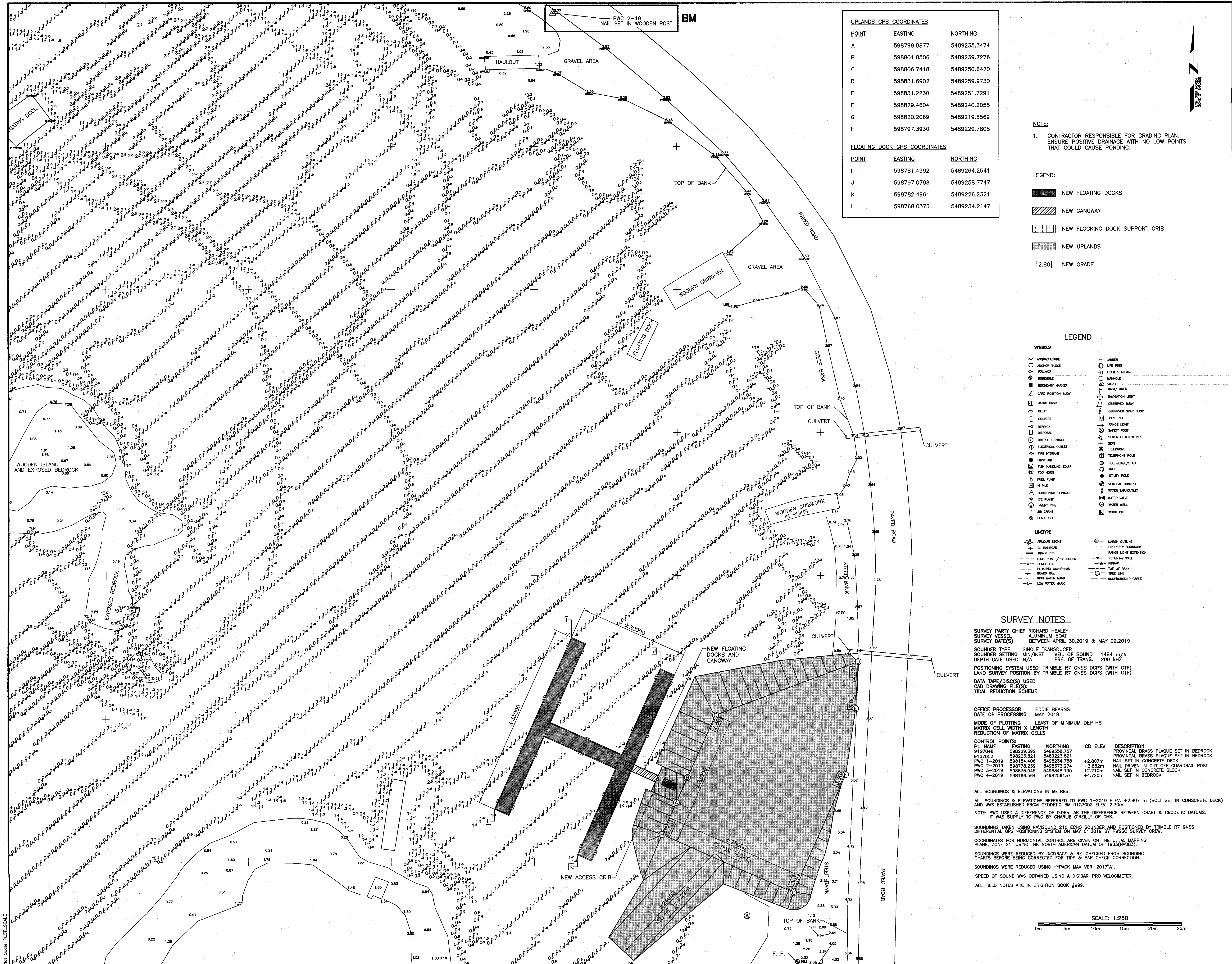
B	ISSUED FOR TENDER	6/11/19
A	ISSUED FOR REVIEW	6/7/19
revisions		date

project
SMALL BOAT BASIN DEVELOPMENT
BRIGHTON, NL

DEMOLITION DETAILS AT WHARF SITE

designed N.H.	conc
date JUNE 11, 2019	
drawn P.H.	desine
date JUNE 11, 2019	
approved	approve

Tender Paul
DFO Project Manager
project number **722335** no. du projet
drawing no. **C2** no. du dessin



UPLANDS GPS COORDINATES

POINT	EASTING	NORTHING
A	598799.8877	5489235.3474
B	598801.8506	5489239.7276
C	598806.7418	5489250.6420
D	598831.6902	5489259.9730
E	598831.2230	5489251.7291
F	598829.4604	5489240.2055
G	598820.2069	5489219.5569
H	598797.3930	5489229.7808

FLOATING DOCK GPS COORDINATES

POINT	EASTING	NORTHING
I	598781.4992	5489264.2541
J	598797.0798	5489258.7747
K	598782.4961	5489226.2321
L	598768.0373	5489234.2147

NOTE:
 1. CONTRACTOR RESPONSIBLE FOR GRADING PLAN. ENSURE POSITIVE DRAINAGE WITH NO LOW POINTS THAT COULD CAUSE PONDING.

- LEGEND:**
- NEW FLOATING DOCKS
 - NEW GANGWAY
 - NEW FLOTTING DOCK SUPPORT CRIB
 - NEW UPLANDS
 - NEW GRADE

- LEGEND**
- SYMBOLS**
- AQUACULTURE
 - ANCHOR BLOCK
 - ISLAND
 - BOREHOLE
 - BOUNDARY MARKER
 - CARD POSITION BLOT
 - CATCH BASIN
 - CLEAR
 - CULVERT
 - DISPOSAL
 - DREDGE CONTROL
 - ELECTRICAL OUTLET
 - FIRE HYDRANT
 - FIRST AID
 - FISH HANDLING EQUIP. FOR MARK
 - FUEL PUMP
 - H POLE
 - HORIZONTAL CONTROL
 - ICE PLANT
 - INVERT PIPE
 - IRON STAKE
 - FLAG POLE
 - LADDER
 - LIFE RING
 - LIGHT STANDARD
 - MANHOLE
 - MAST/TOWER
 - NAVIGATION LIGHT
 - OBSERVED BLOT
 - OBSERVED SPIRAL BLOT
 - PIPE FILE
 - RANGE LIGHT
 - SAFETY POST
 - SEWER OUTFLOW PIPE
 - SIGN
 - TELEPHONE
 - TELEPHONE POLE
 - TIDE GAUGE/STAFF
 - TREE
 - UTILITY POLE
 - VERTICAL CONTROL
 - WATER TAP/OUTLET
 - WATER VALVE
 - WATER WELL
 - WOOD FILE
- LINE TYPE**
- ARMOUR STONE
 - CL ROADWAY
 - DRAIN PIPE
 - EDGE ROAD / SHOULDER
 - FENCE LINE
 - FLOATING WAVEBREAK
 - GUARD RAIL
 - HIGH WATER MARK
 - LOW WATER MARK
 - MARSH OUTLINE
 - PROPERTY BOUNDARY
 - RANGE LIGHT EXTENSION
 - RETAINING WALL
 - RIPRAP
 - TIDE OF BANK
 - TREE LINE
 - UNDERGROUND CABLE

SURVEY NOTES

SURVEY PARTY CHIEF RICHARD HEALEY
 SURVEY VESSEL ALUMINUM BOAT
 SURVEY DATE(S) BETWEEN APRIL 30, 2019 & MAY 02, 2019

SOUNDER TYPE: SINGLE TRANSDUCER
 SOUNDER SETTING MIN/INST VEL. OF SOUND 1484 m/s
 DEPTH GATE USED N/A FRE. OF TRANS. 200 KHZ

POSITIONING SYSTEM USED TRIMBLE R7 GNSS DGPS (WITH OTF)
 LAND SURVEY POSITION BY TRIMBLE R7 GNSS DGPS (WITH OTF)

DATA TAPE(DISC(S)) USED
 CAD DRAWING FILE(S):
 TIDAL REDUCTION SCHEME

OFFICE PROCESSOR EDDIE BEARNS
 DATE OF PROCESSING MAY 2019

MODE OF PLOTTING LEAST OF MINIMUM DEPTHS
 MATRIX CELL WIDTH X LENGTH
 REDUCTION OF MATRIX CELLS

CONTROL POINTS:

PL. NAME	EASTING	NORTHING	CD ELEV	DESCRIPTION
9107048	598223.392	5489258.757		PROVINCIAL BRASS PLAQUE SET IN BEDROCK
9107048	598223.392	5489258.757		PROVINCIAL BRASS PLAQUE SET IN BEDROCK
9107048	598223.392	5489258.757		PROVINCIAL BRASS PLAQUE SET IN BEDROCK
PWC 1-2019	598184.406	5489234.758	+2.807m	NAIL SET IN CONCRETE DECK
PWC 2-2019	598723.239	5489373.274	+3.852m	NAIL DRIVEN IN CUT OFF GUARDRAIL POST
PWC 3-2019	598675.945	5489348.135	+2.210m	NAIL SET IN CONCRETE BLOCK
PWC 4-2019	598166.564	5489251.37	+4.720m	NAIL SET IN BEDROCK

ALL SOUNDINGS & ELEVATIONS REFERRED TO PWC 1-2019 ELEV. +2.807 m (BOLT SET IN CONCRETE DECK) AND WAS ESTABLISHED FROM GEODETIC BM 9107048 ELEV. 2.707m.

NOTE: PWC USED A DIFFERENCE OF 0.80m AS THE DIFFERENCE BETWEEN CHART & GEODETIC DATUMS. IT WAS SUPPLY TO PWC BY CHARLIE O'REILLY OF CHS.

SOUNDINGS TAKEN USING NAVISOUND 210 ECHO SOUNDER AND POSITIONED BY TRIMBLE R7 GNSS DIFFERENTIAL GPS POSITIONING SYSTEM ON MAY 01, 2019 BY PWGSC SURVEY CREW.

COORDINATES FOR HORIZONTAL CONTROL ARE GIVEN ON THE U.T.M. MAPPING PLANE, ZONE 21, USING THE NORTH AMERICAN DATUM OF 1983(NAD83).

SOUNDINGS WERE REDUCED BY DIGITRACE & RE-CHECKED FROM SOUNDING CHARTS BEFORE BEING CORRECTED FOR TIDE & BAR CHECK CORRECTION.

SOUNDINGS WERE REDUCED USING HYPACK MAX VER. 2013*A*.

SPEED OF SOUND WAS OBTAINED USING A DIGIBAR-PRO VELOCIMETER.

ALL FIELD NOTES ARE IN BRIGHTON BOOK #999.

SCALE: 1:250
 0m 5m 10m 15m 20m 25m

Fisheries and Oceans Canada / **Pêches et Océans Canada**

SMALL CRAFT HARBOURS

NOTES:
 1. ALL ELEVATIONS ARE IN METRES UNLESS OTHERWISE NOTED.
 2. ALL DIMENSIONS ARE IN MILLIMETRES UNLESS OTHERWISE NOTED.

PROVINCE OF NEWFOUNDLAND PERMIT HOLDER
 This Permit Allows
 AFN ENGINEERING INC.
 To practice Professional Engineering in Newfoundland and Labrador. Permit No. as issued by APEGL, F0282, which is valid for the year 2016.

REGISTERED PROFESSIONAL ENGINEER
 NEIL C. HUNT
 6/11/19
 NEWFOUNDLAND & LABRADOR

B	ISSUED FOR TENDER	6/11/19
A	ISSUED FOR REVIEW	6/7/19
revisions		date
project		project

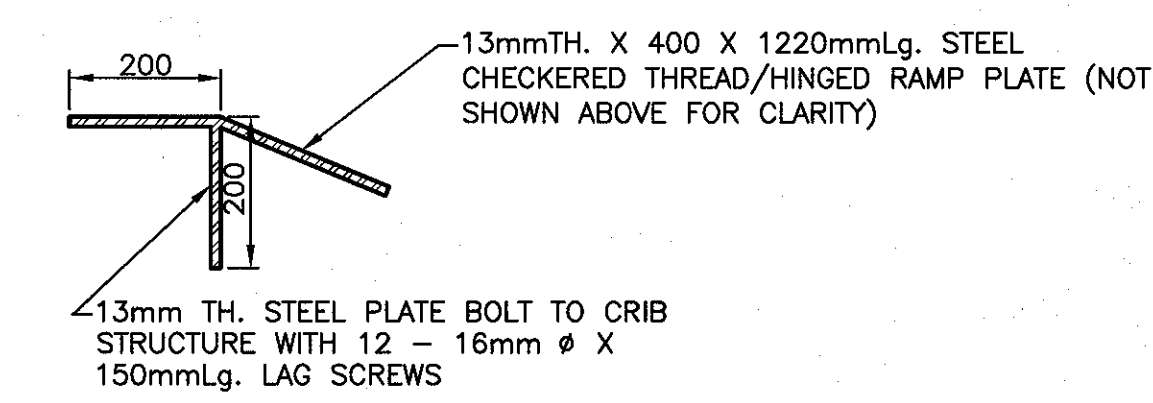
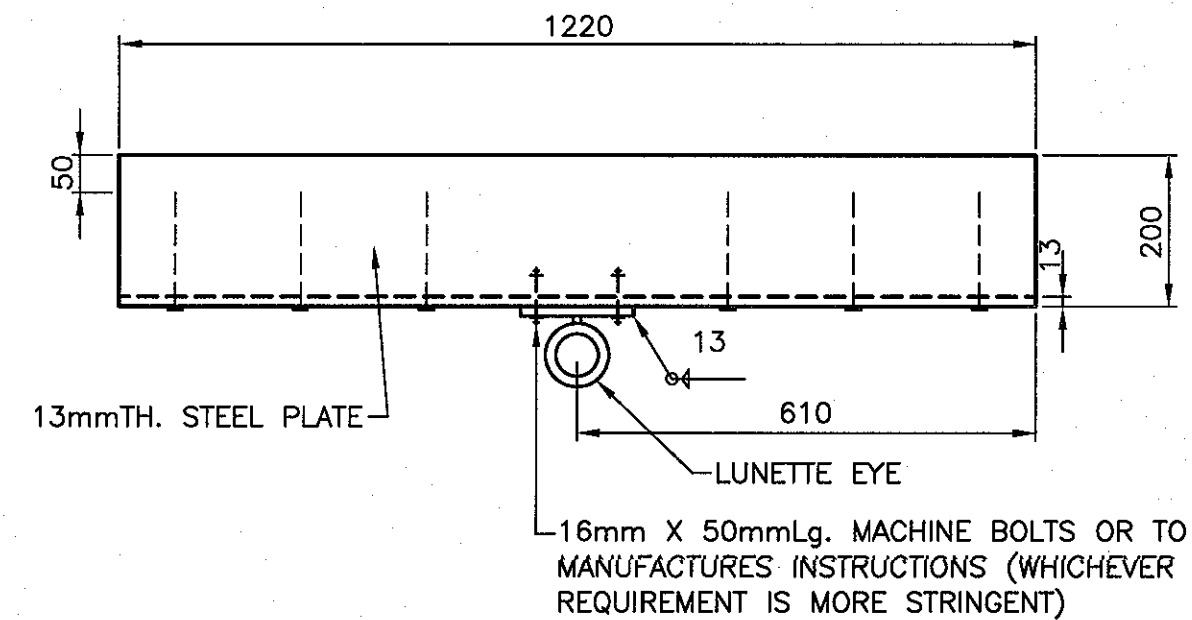
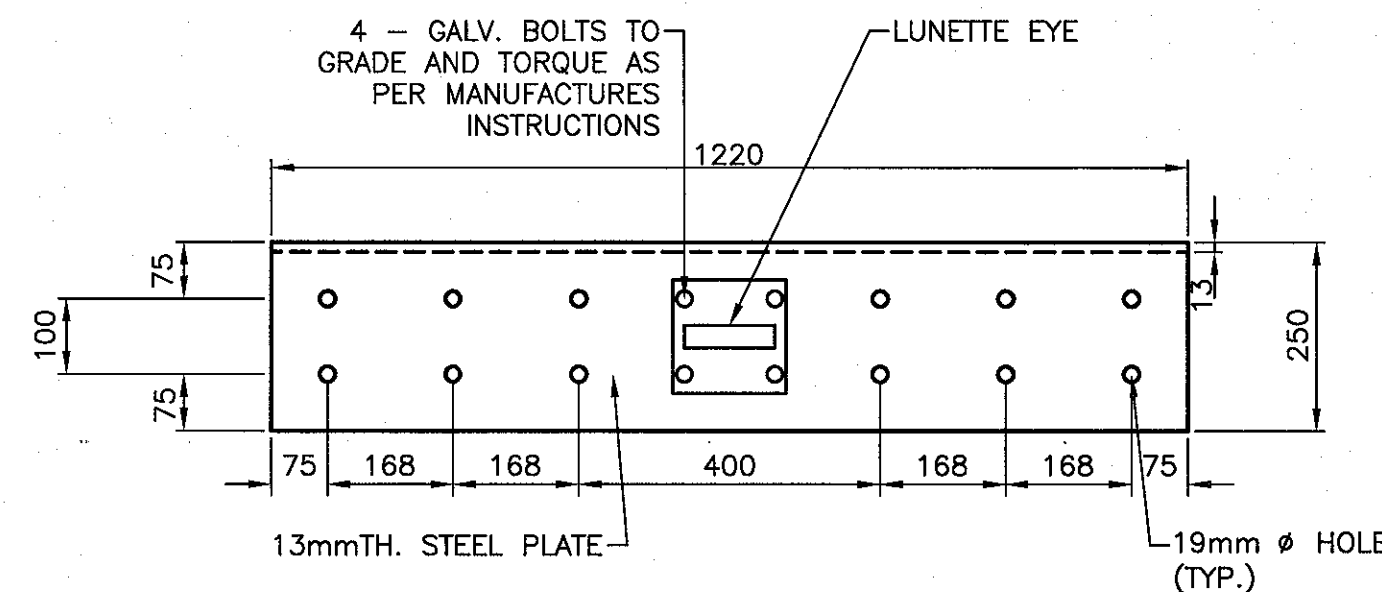
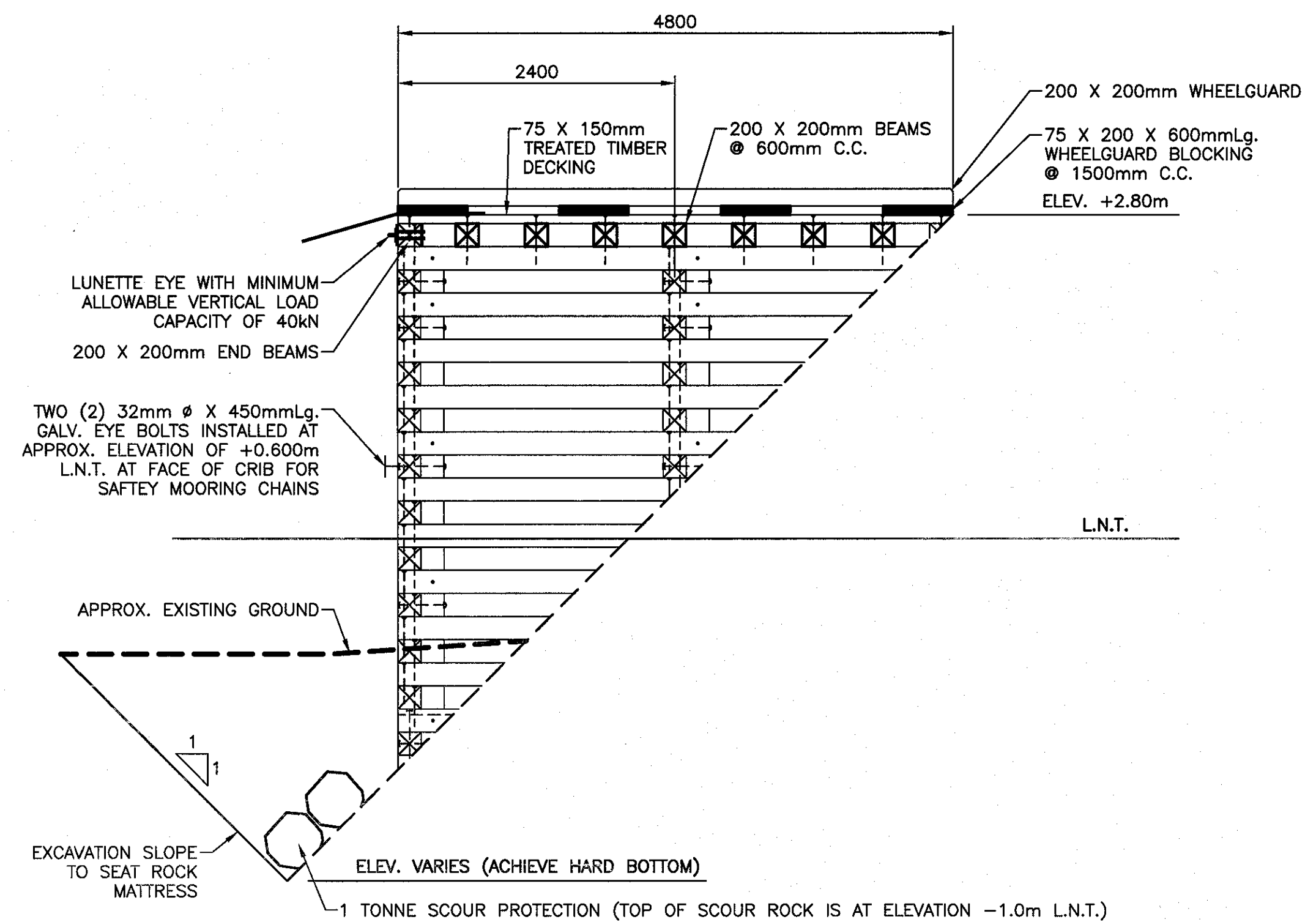
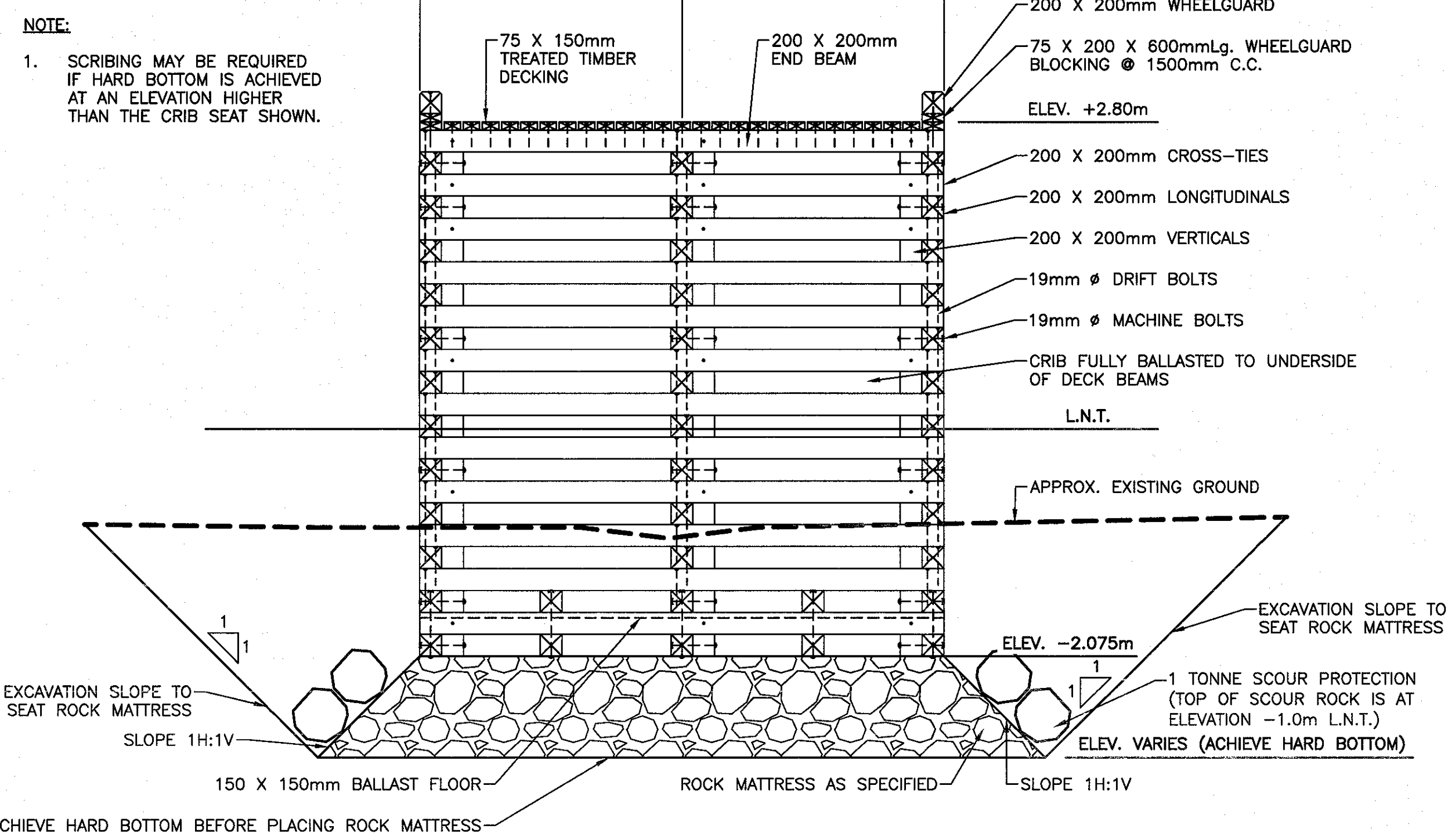
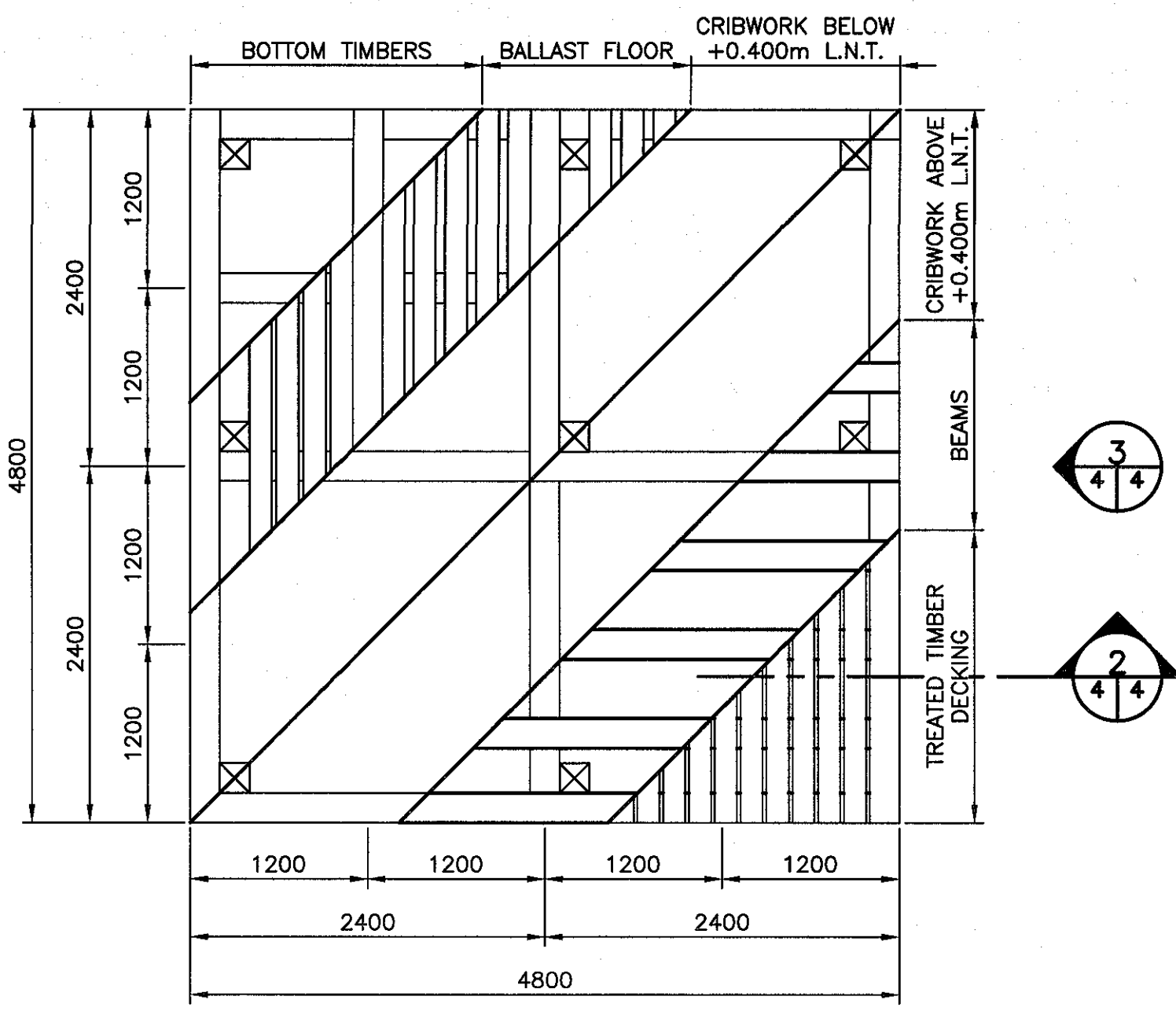
SMALL BOAT BASIN DEVELOPMENT
BRIGHTON, NL

drawing desain

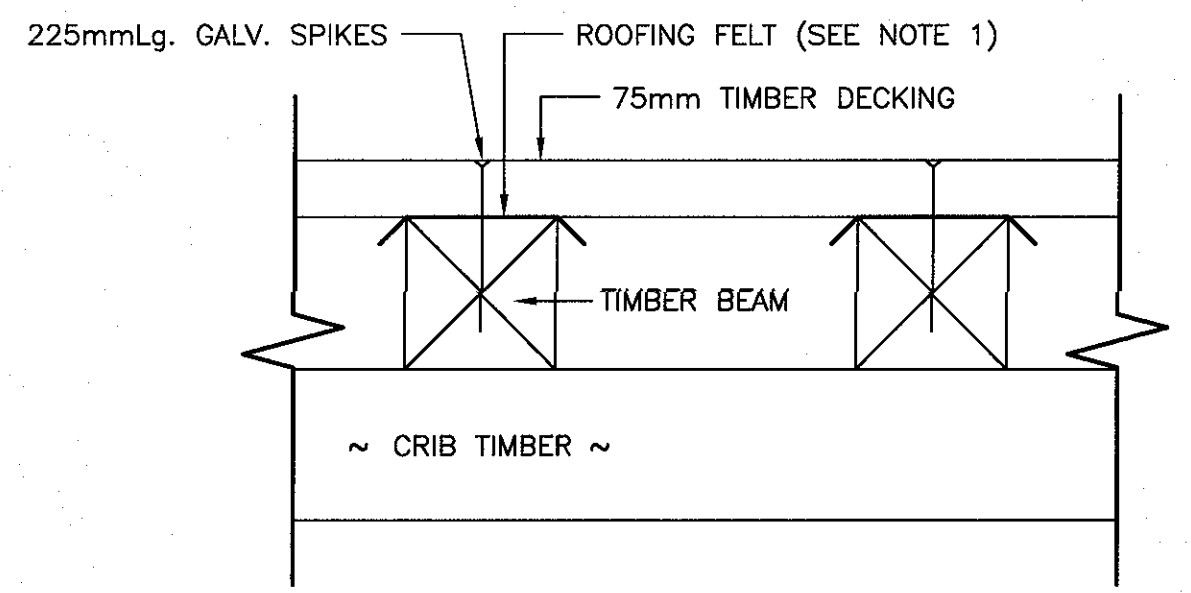
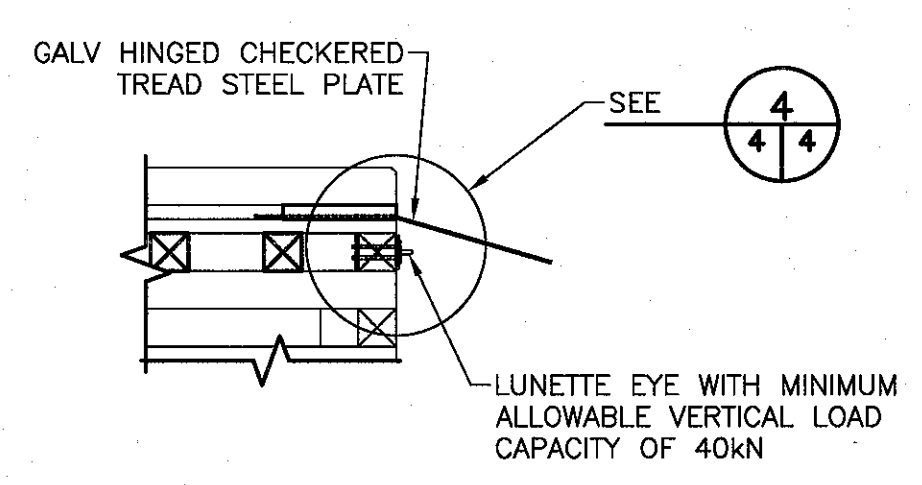
NEW SMALL BOAT DEVELOPMENT SITE

designed N.H. concu
 date JUNE 11, 2019
 drawn P.H. desaine
 date JUNE 11, 2019
 approved approve

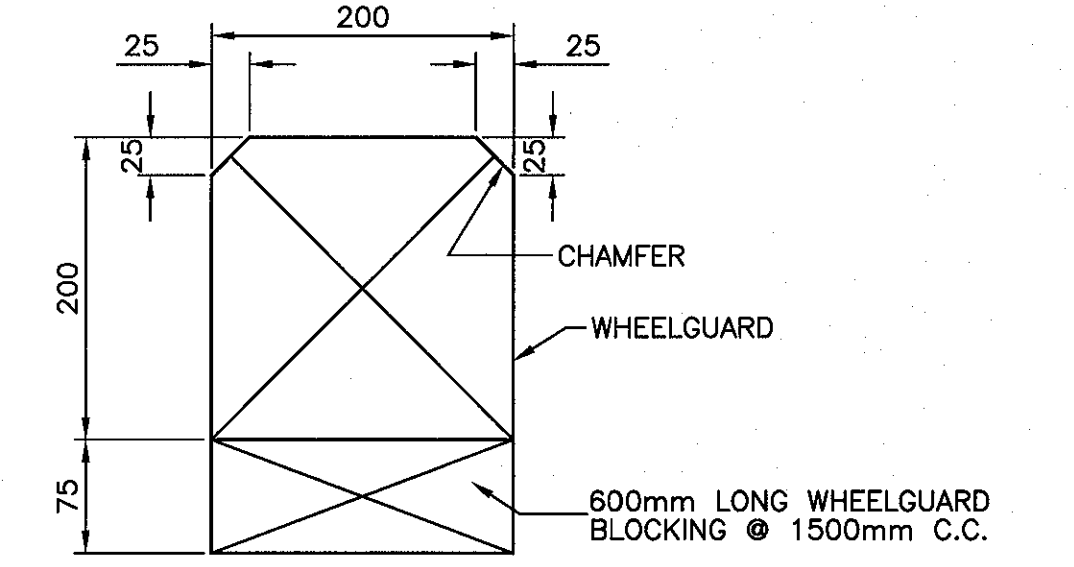
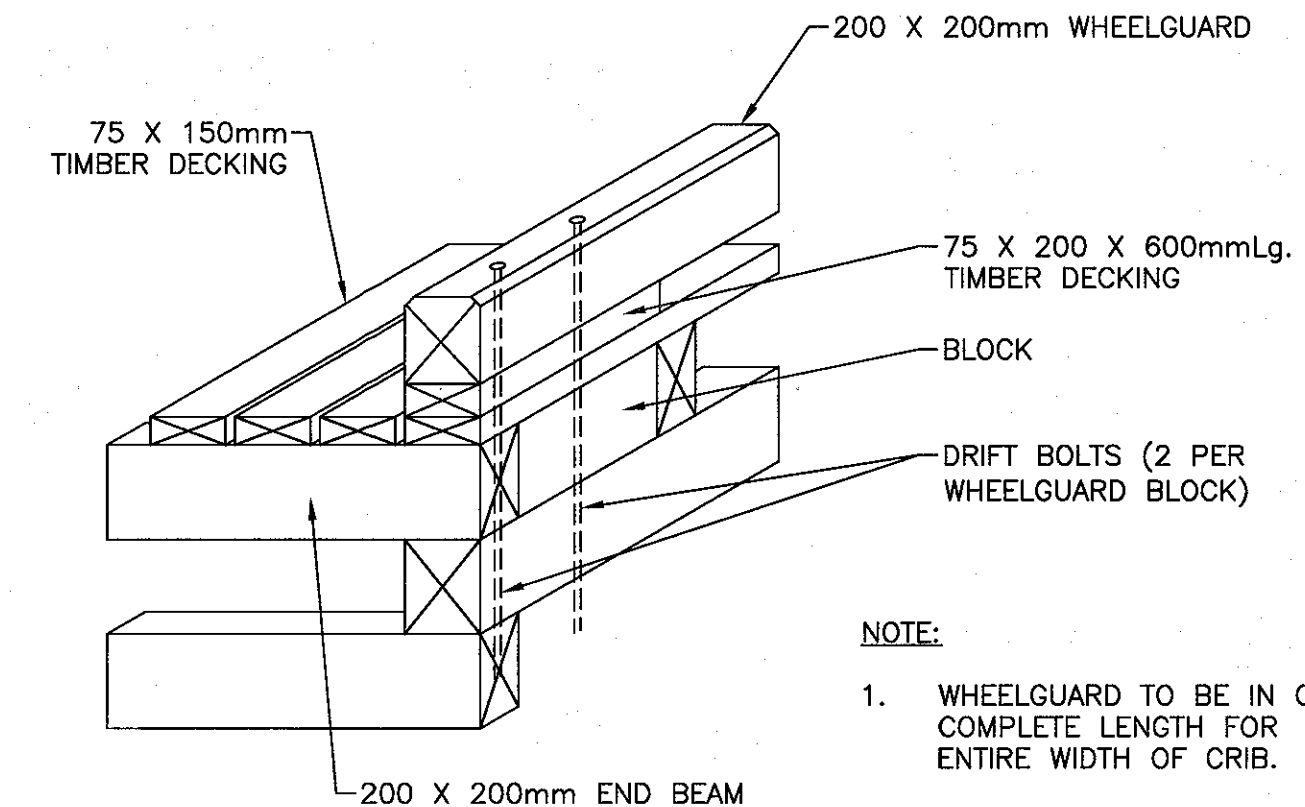
Tender Paul H. Soumission
 DFO Project Manager
 project number 722335 no. du projet
 drawing no. C3 no. du desain



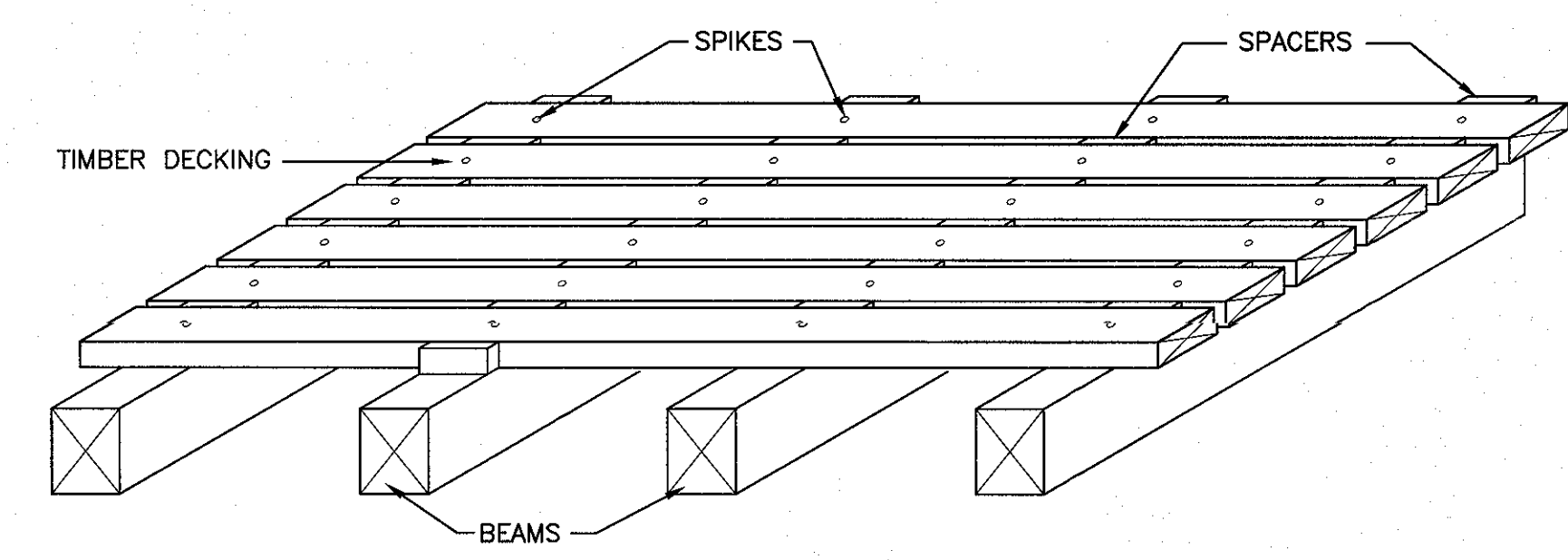
CONNECTION PLATE - OUTSIDE FACE OF CRIB
SCALE: 1:10



DECK DETAIL
SCALE: 1:10



WHEELGUARD DETAIL
SCALE: 1:5



NOTE:
1. DECKING TO BE IN ONE COMPLETE LENGTH FOR ENTIRE WIDTH OF CRIB. ONE (1) SINGLE NAIL IN CENTER BEAMS, TWO (2) DOUBLE NAILS AT EXTERIOR BEAMS.

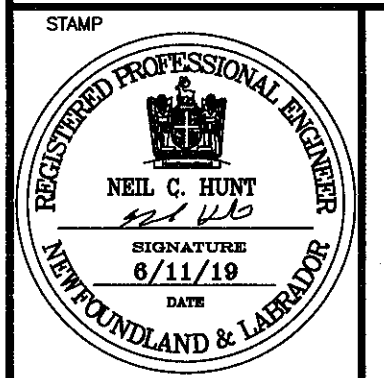
TIMBER DECK NAILING DETAIL
SCALE: N.T.S.

SMALL CRAFT HARBOURS



NOTES:
1. ALL ELEVATIONS ARE IN METRES UNLESS OTHERWISE NOTED.
2. ALL DIMENSIONS ARE IN MILLIMETRES UNLESS OTHERWISE NOTED.

PROVINCE OF NEWFOUNDLAND
PERMIT HOLDER
This Permit Allows
APN ENGINEERING INC.
To practice Professional Engineering in Newfoundland and Labrador. Permit No. as issued by APENL F02922 which is valid for the year 2019.



B	ISSUED FOR TENDER	6/11/19
A	ISSUED FOR REVIEW	6/7/19
revisions		date
project		project

SMALL BOAT BASIN DEVELOPMENT
BRIGHTON, NL

drawing desin

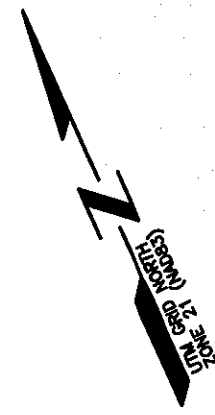
FLOATING DOCK SUPPORT CRIB

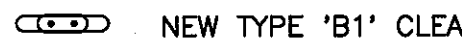

designed N.H. concu
date JUNE 11, 2019
drawn P.H. desin
date JUNE 11, 2019
approved approve

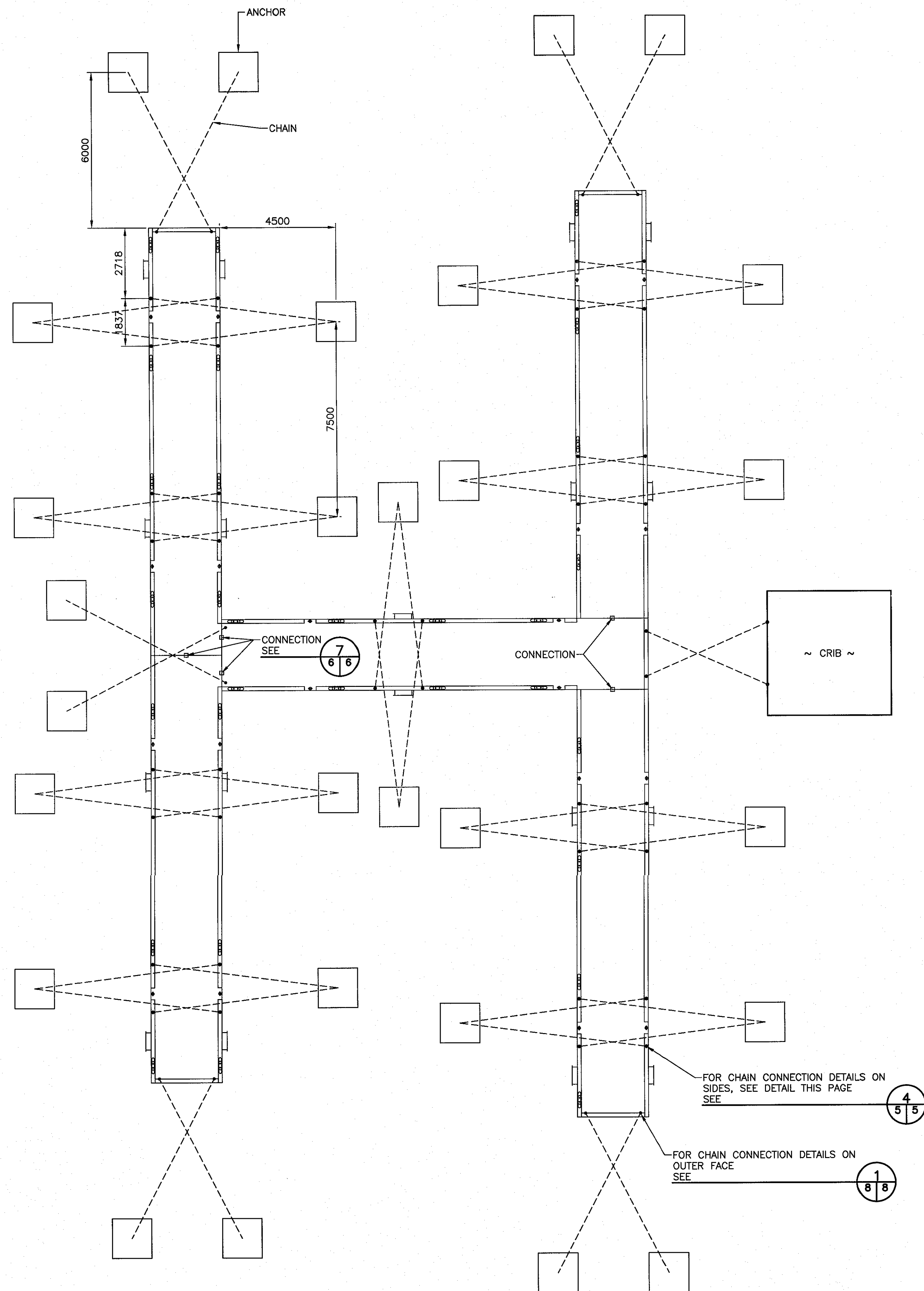
Tender Paul Huynh Soumission
DFO Project Manager
project number no. du projet

722335

drawing no. no. du desin
C4

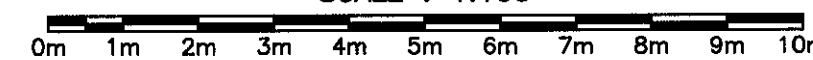


LEGEND:
 NEW TYPE 'B1' CLEAT
 NEW LADDER

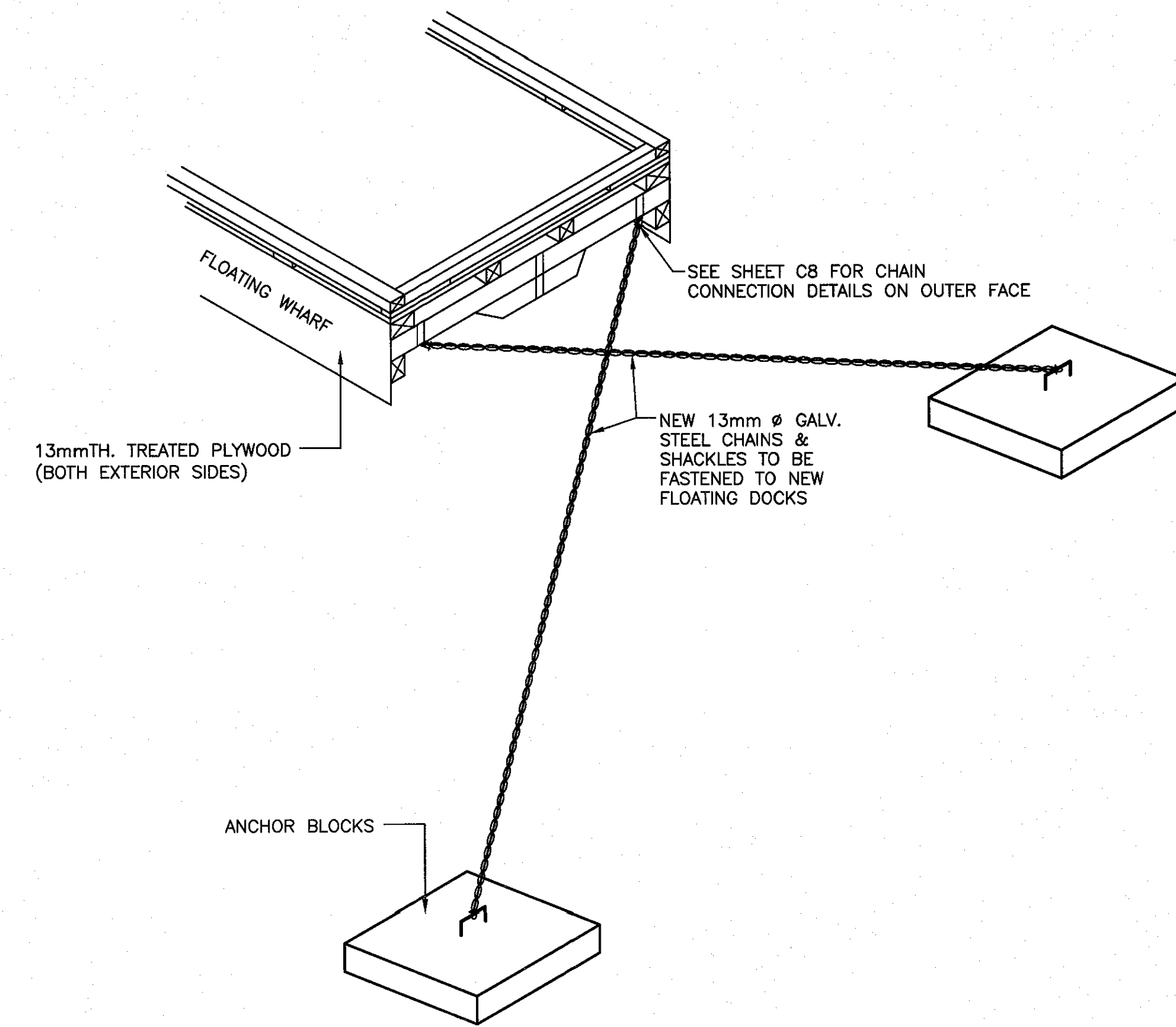


ANCHORS, CLEATS, LADDERS FOR DOCKS

SCALE : 1:100

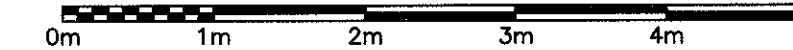


1
5 | 5

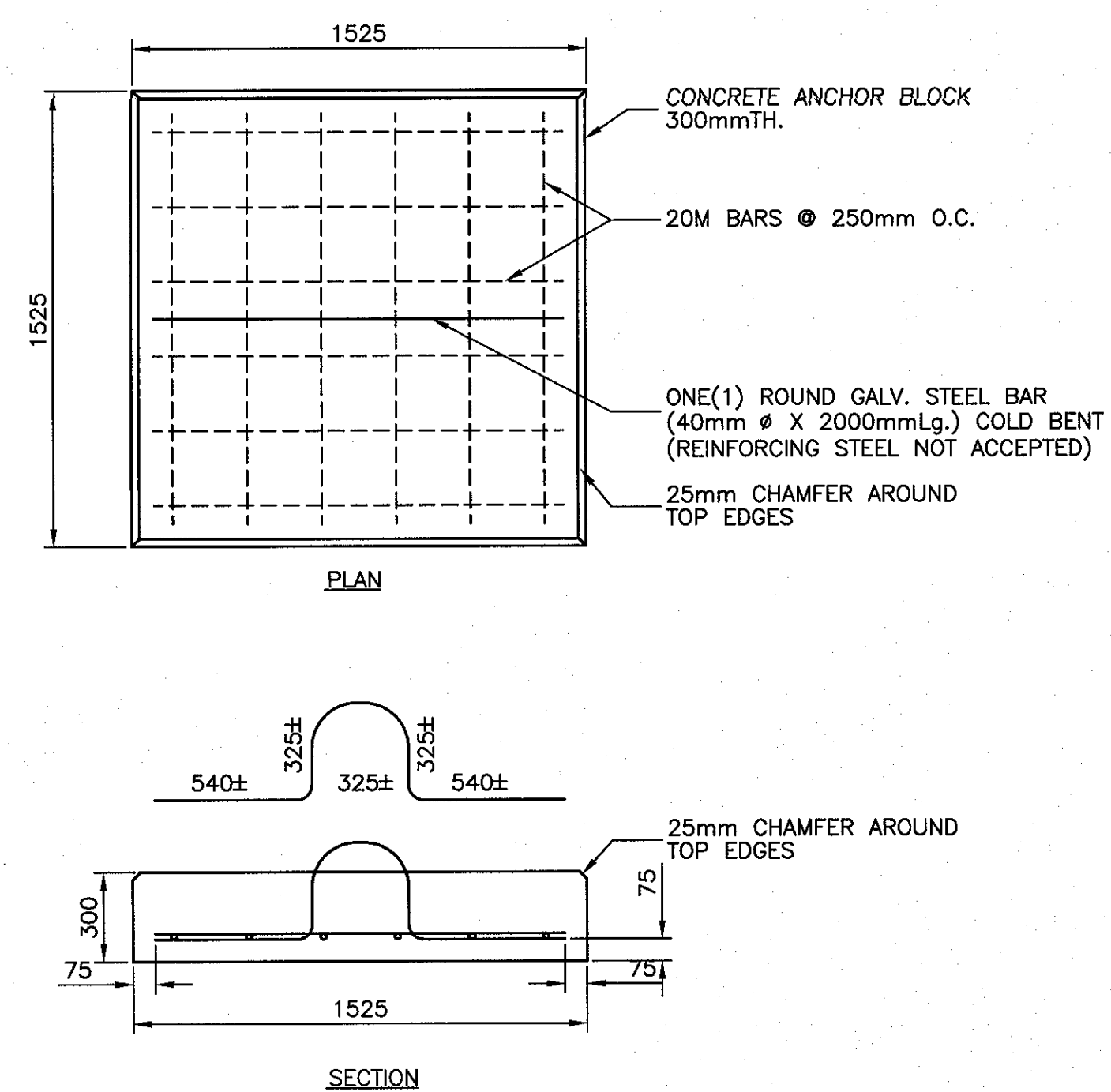


ANCHOR BLOCK FASTENING DETAIL

SCALE: 1:50

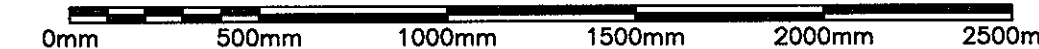


2
5 | 5

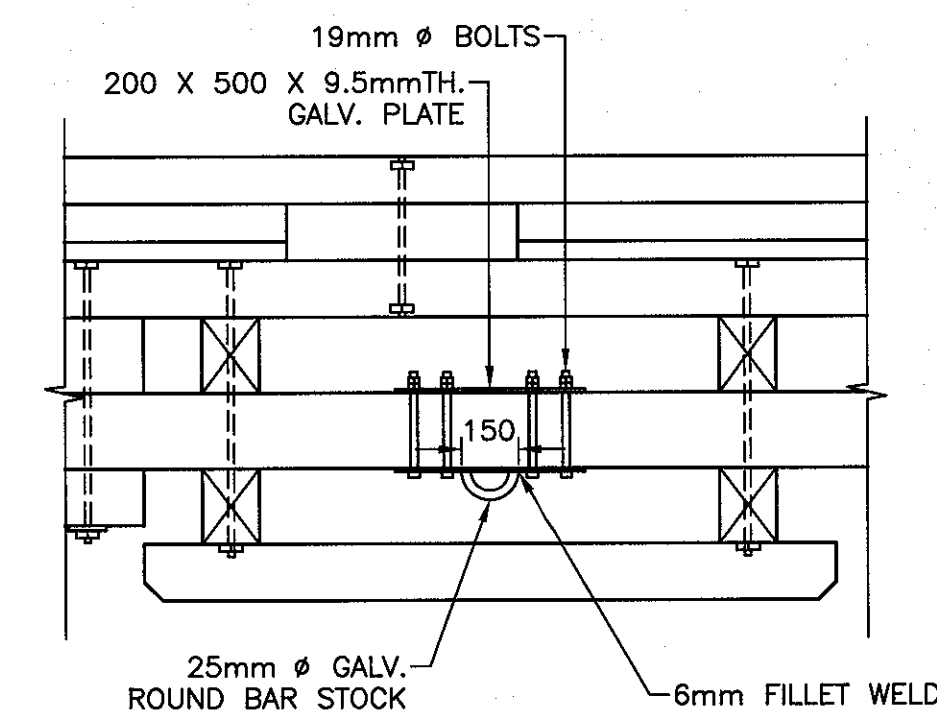


CONCRETE ANCHOR BLOCK

SCALE : 1:20



3
5 | 5

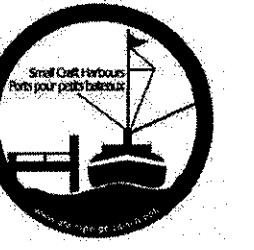


CHAIN CONNECTION ON SIDES

SCALE : N.T.S.

4
5 | 5

SMALL CRAFT HARBOURS



NOTES:

1. ALL ELEVATIONS ARE IN METRES UNLESS OTHERWISE NOTED.
2. ALL DIMENSIONS ARE IN MILLIMETRES UNLESS OTHERWISE NOTED.

PROVINCE OF NEWFOUNDLAND
 PERMIT HOLDER
 This Permit Allows
 APN ENGINEERING INC.

To practice Professional Engineering in Newfoundland and Labrador, Permit No. as issued by APEQC, 20089, which is valid for the year 2018.

STAMP



B	ISSUED FOR TENDER	6/11/19
A	ISSUED FOR REVIEW	6/7/19
revisions		date
project		project

SMALL BOAT BASIN DEVELOPMENT

BRIGHTON, NL

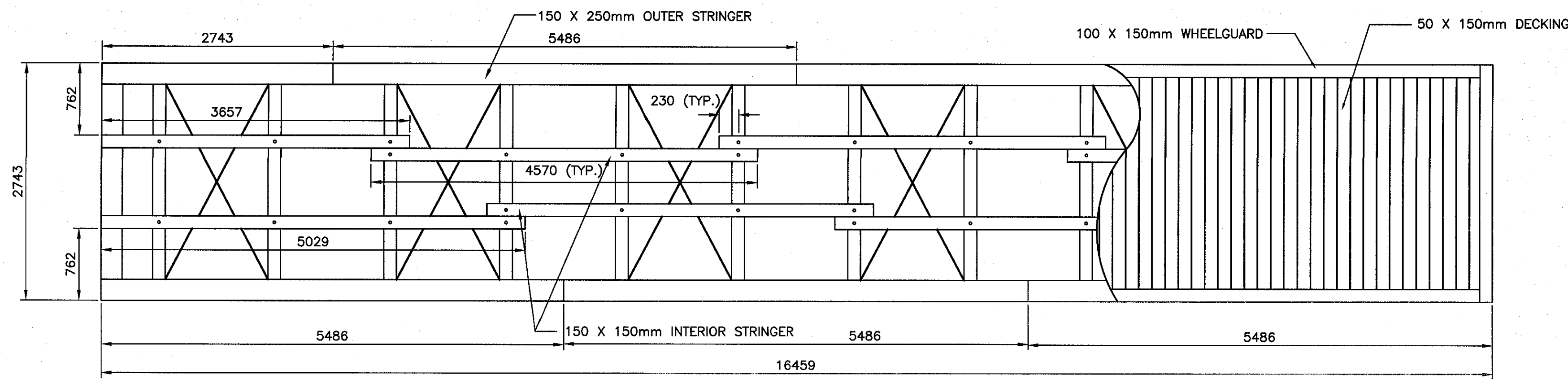
drawing design

ANCHORS FOR FLOATING DOCKS

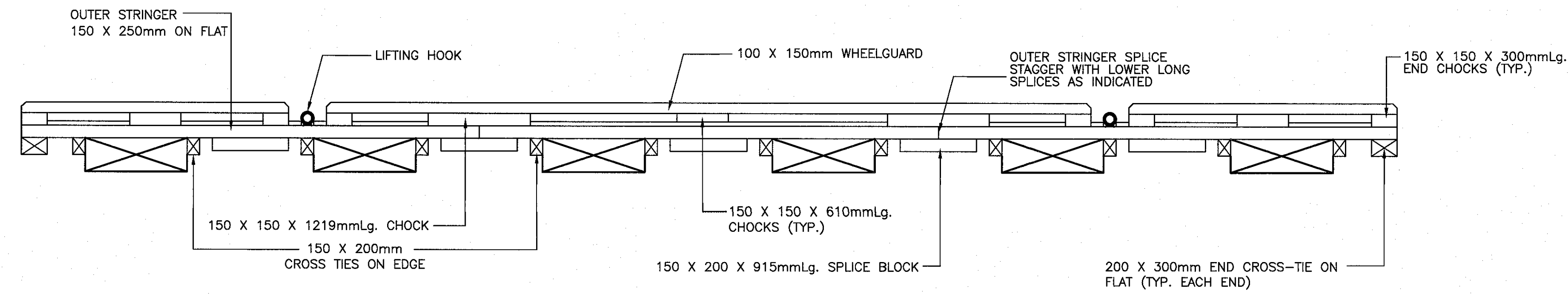
designed	N.H.	concep
date	JUNE 11, 2019	
drawn	P.H.	dessine
date	JUNE 11, 2019	
approved		approuve

Tender Paul Burt
 DFO Project Manager
 project number 722335
 no. du projet

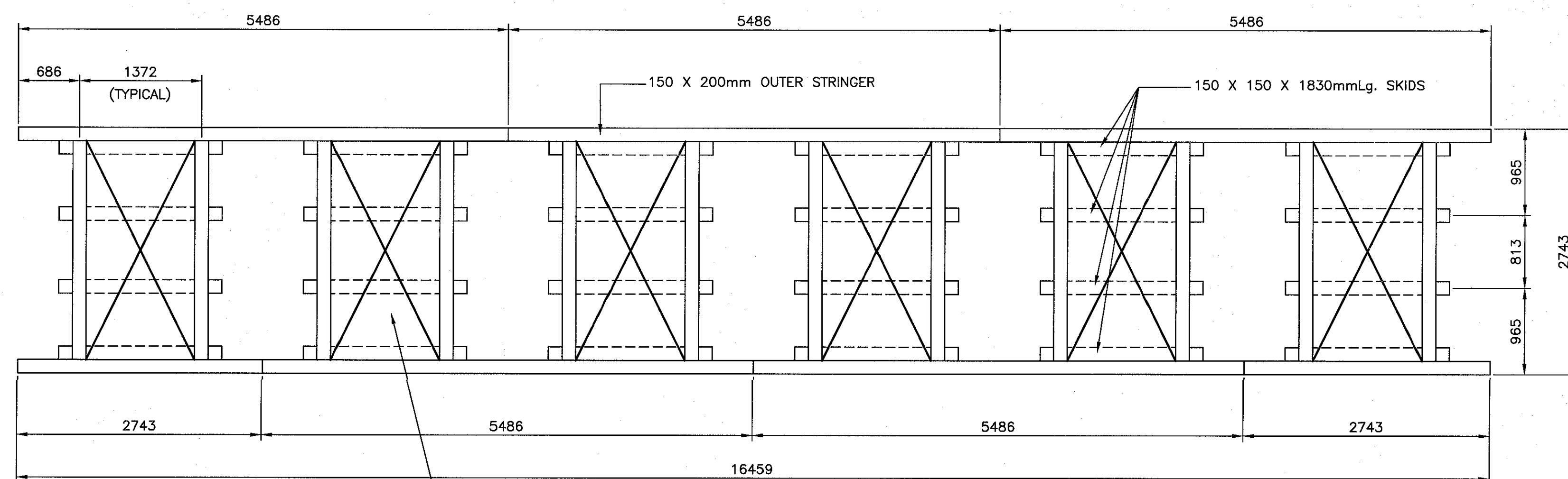
drawing no. C5
 no. du dessin



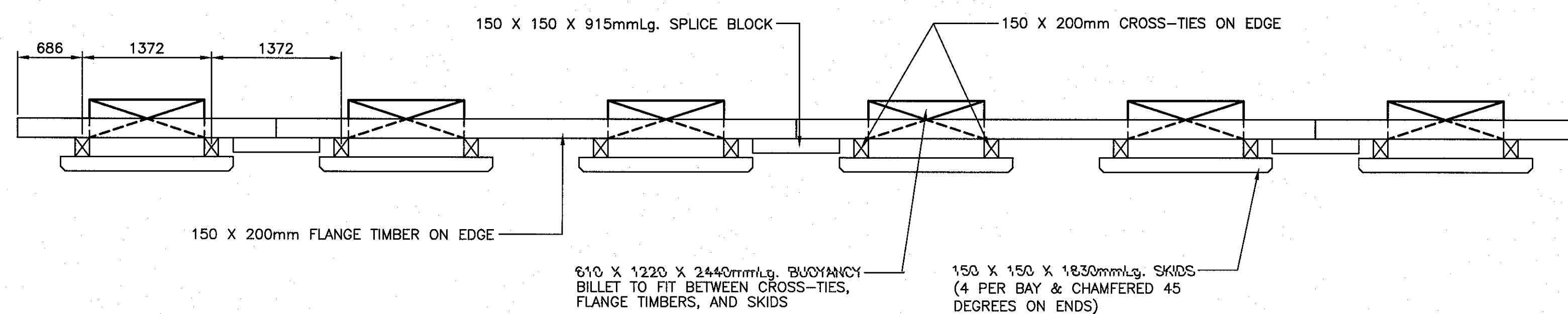
TOP TIER-PLAN VIEW
SCALE: 1:40
6/6



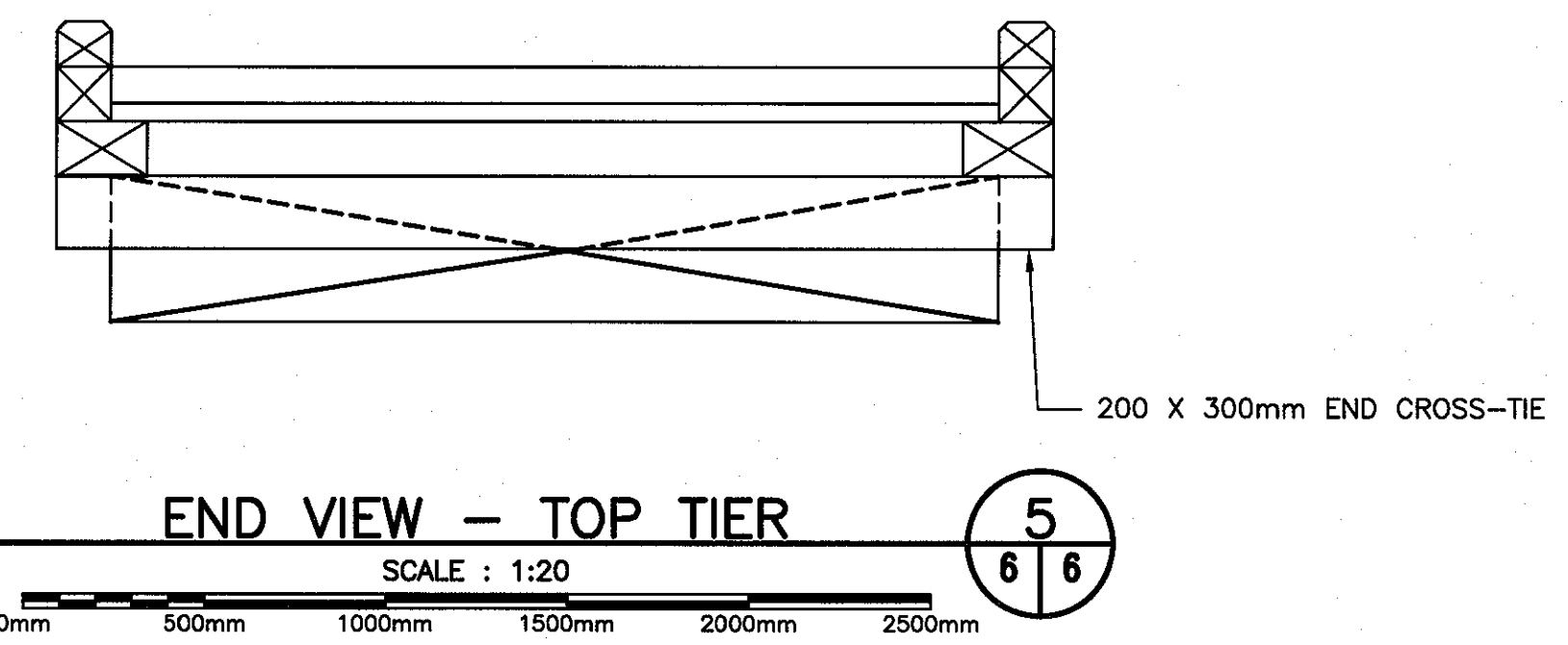
TOP TIER-SIDE VIEW
SCALE: 1:40
6/6



FIRST TIER-PLAN VIEW
SCALE: 1:40
6/6

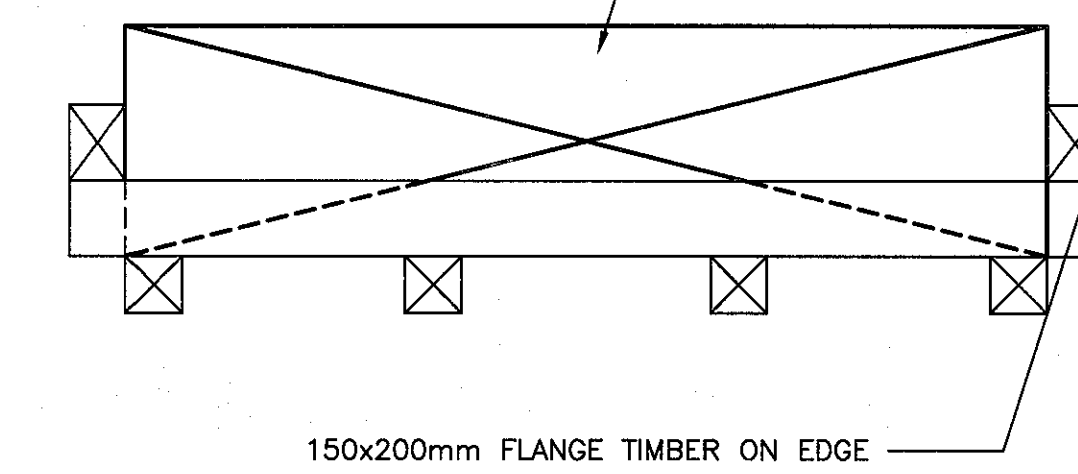


FIRST TIER-SIDE VIEW
SCALE: 1:40
6/6



5/6

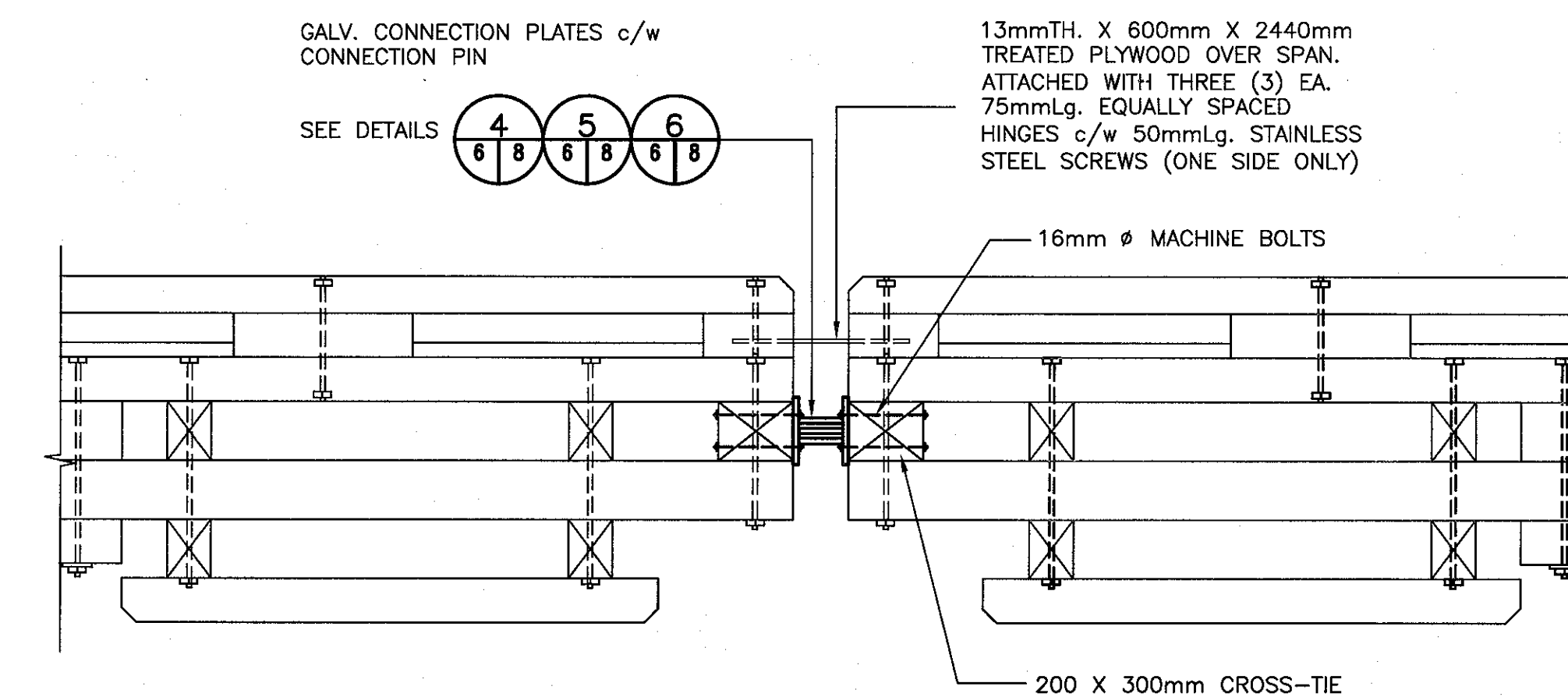
610 X 1220 X 2440mm BUOYANCY BILLETS TO FIT BETWEEN CROSS-TIES, FLANGE TIMBERS, AND SKIDS



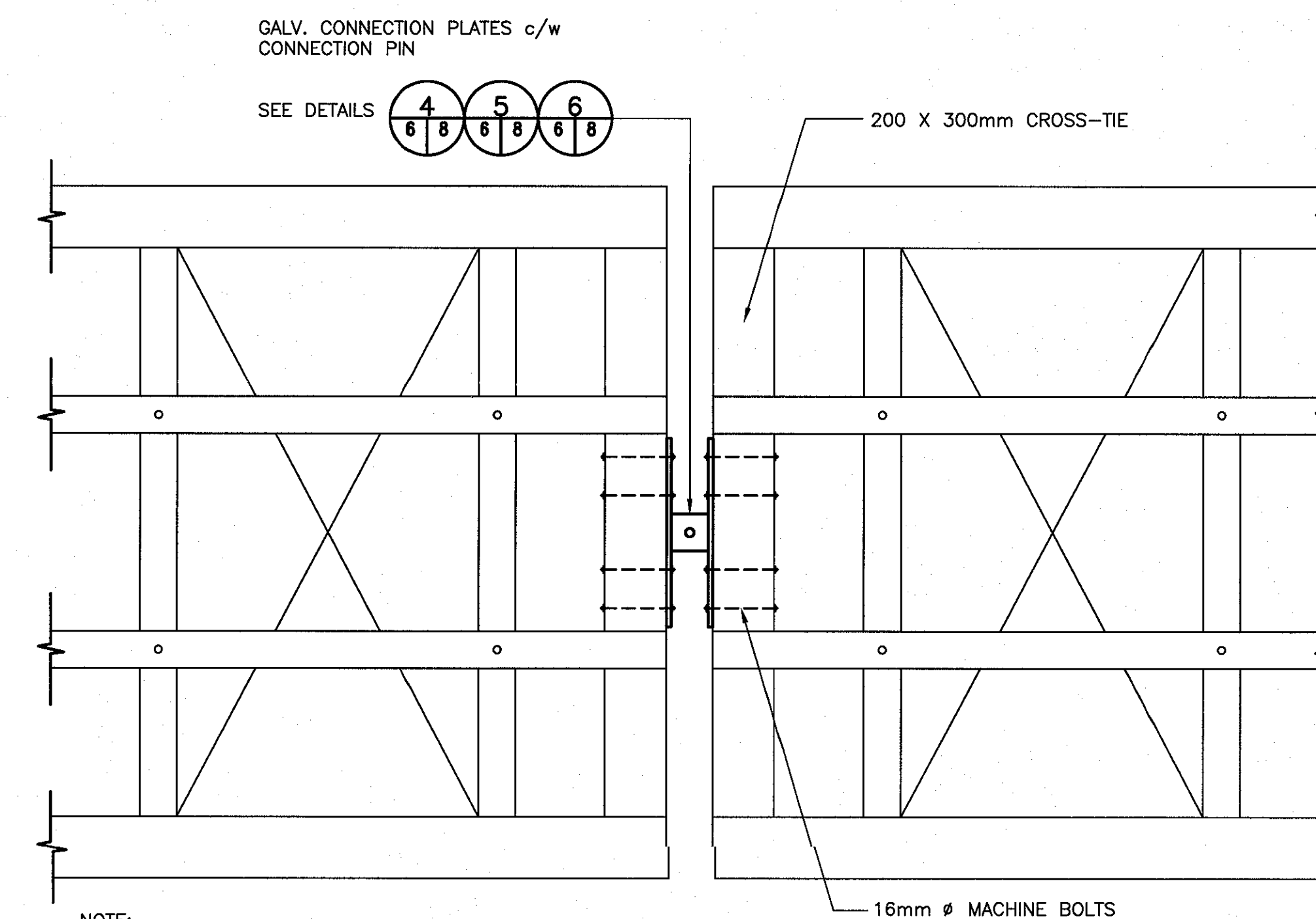
END VIEW - FIRST TIER
SCALE: 1:20
6/6

GENERAL NOTES:

1. ALL DIMENSIONS IN MILLIMETRES.
2. ALL MACHINE BOLTS 16mm ϕ .
3. ALL DRIFT BOLTS 16mm.
4. ALL BOLTS TO BE COUNTERSUNK.
5. ALL TIMBER TO BE TREATED.
6. ALL HARDWARE TO BE GALVANIZED.
7. CONNECTION PLATES TO BE INSTALLED ON EACH FLOATING DOCK.
8. MOORING PLATE TO BE INSTALLED ON EACH FLOATING DOCK AS REQUIRED AND DIRECTED BY THE DEPARTMENTAL REPRESENTATIVE.
9. CENTER MOORING PLATE TO BE INSTALLED AT OPPOSITE END OF FLOATING DOCK CONNECTION PLATE.
10. BUOYANCY BILLETS:
610 X 1220 X 2440mm
TYPE 2 EXPANDED POLYSTYRENE
C/W 90 MILS AG101 URETHANE WATERPROOFING.
11. PAINT WHEELGUARD AND W/G BLOCKING WITH ALKYD/OIL RESIN PAINT SIMILAR TO PITTSBURGH PAINTS "SAFETY ORANGE" PRODUCT ID 7-808. PAINT TO CONFORM TO CAN/CGSB-1.61-2004.
12. ALLOW IN BID PRICE FOR CHECKERED RAMP PLATE TO BRIDGE ANY GAPS BETWEEN THE E/W FLOATING DOCK AND THE N/S FLOATING DOCK. PROVIDE CONNECTION DETAILS ACCEPTABLE TO DEPARTMENTAL REPRESENTATIVE.



ELEVATION



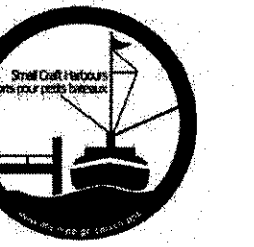
PLAN VIEW

NOTE:

1. MOORING PLATES AND PLYWOOD OVER SPAN ARE OMITTED FOR CLARITY.

FLOATING DOCK CONNECTION DETAIL
SCALE: N.T.S.
7/6

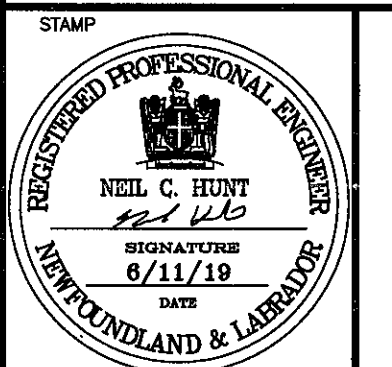
SMALL CRAFT HARBOURS



NOTES:

1. ALL ELEVATIONS ARE IN METRES UNLESS OTHERWISE NOTED.
2. ALL DIMENSIONS ARE IN MILLIMETRES UNLESS OTHERWISE NOTED.

PROVINCE OF NEWFOUNDLAND
PERMIT HOLDER
This Permit Allows
APN ENGINEERING INC.
To practice Professional Engineering,
in Newfoundland and Labrador, Permit No. as issued by APEXNL, F0282,
which is valid for the year 2012.



B	ISSUED FOR TENDER	6/11/19
A	ISSUED FOR REVIEW	6/7/19
revisions		date
project		project

SMALL BOAT BASIN DEVELOPMENT
BRIGHTON, NL

FLOATING DOCKS PLANS, ELEVATIONS AND DETAILS

designed N.H.	concur
date JUNE 11, 2019	
drawn P.H.	designe
date JUNE 11, 2019	
approved	approve

Tender Paul Huft
DFO Project Manager

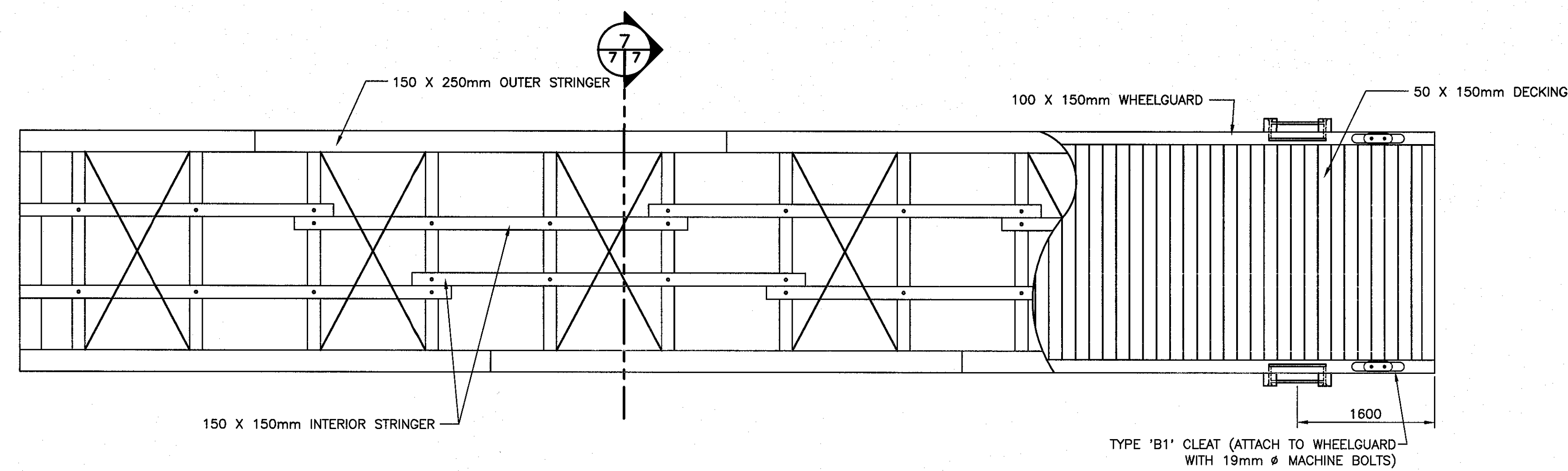
project number 722335 no. du projet

drawing no. C6 no. du dessin

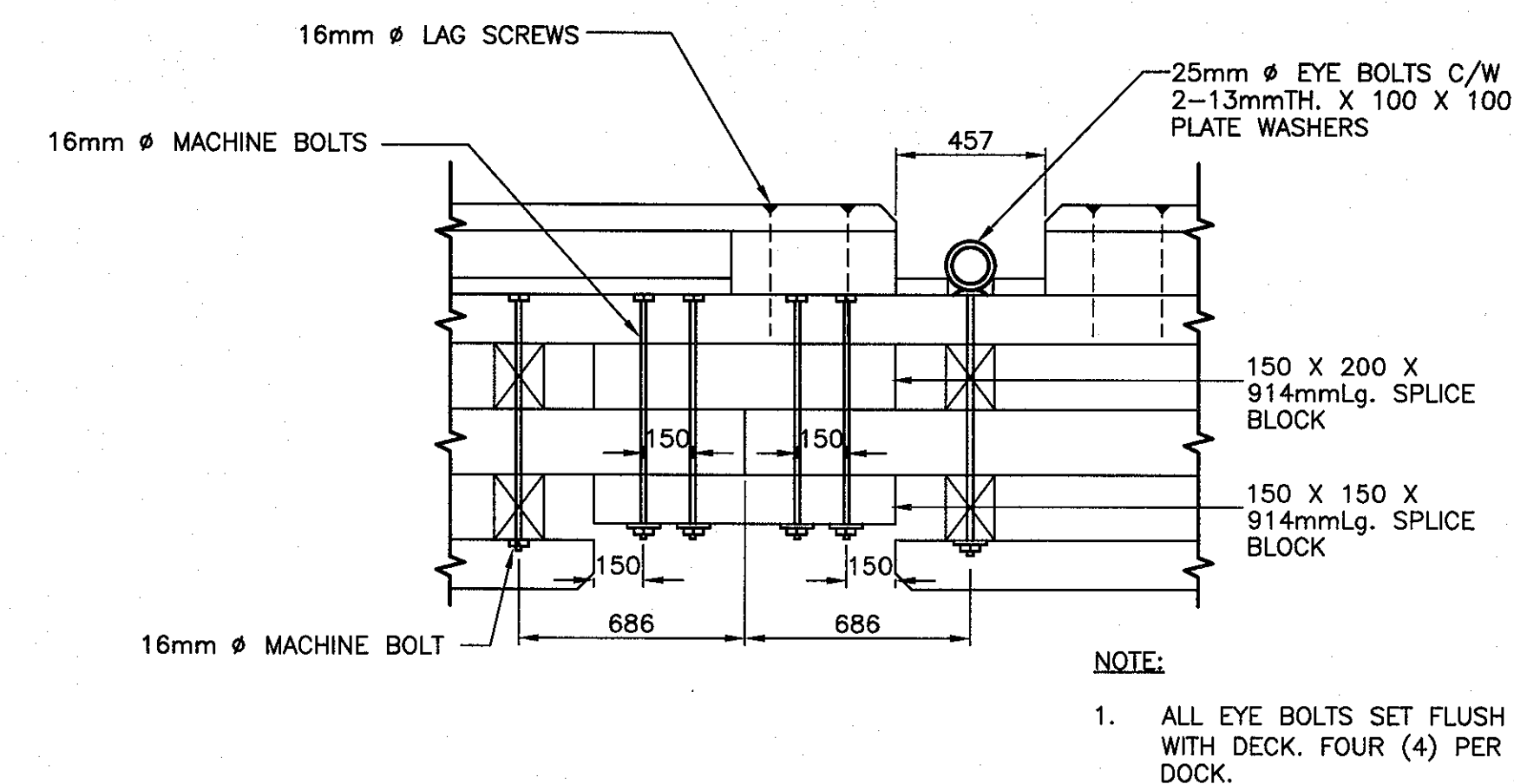
SMALL CRAFT HARBOURS



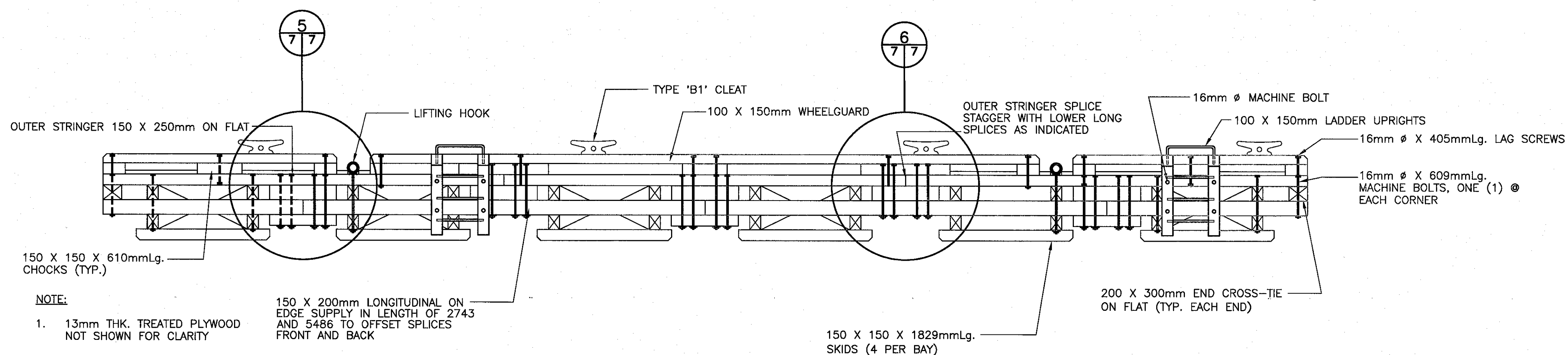
- NOTES:
1. ALL ELEVATIONS ARE IN METRES UNLESS OTHERWISE NOTED.
 2. ALL DIMENSIONS ARE IN MILLIMETRES UNLESS OTHERWISE NOTED.



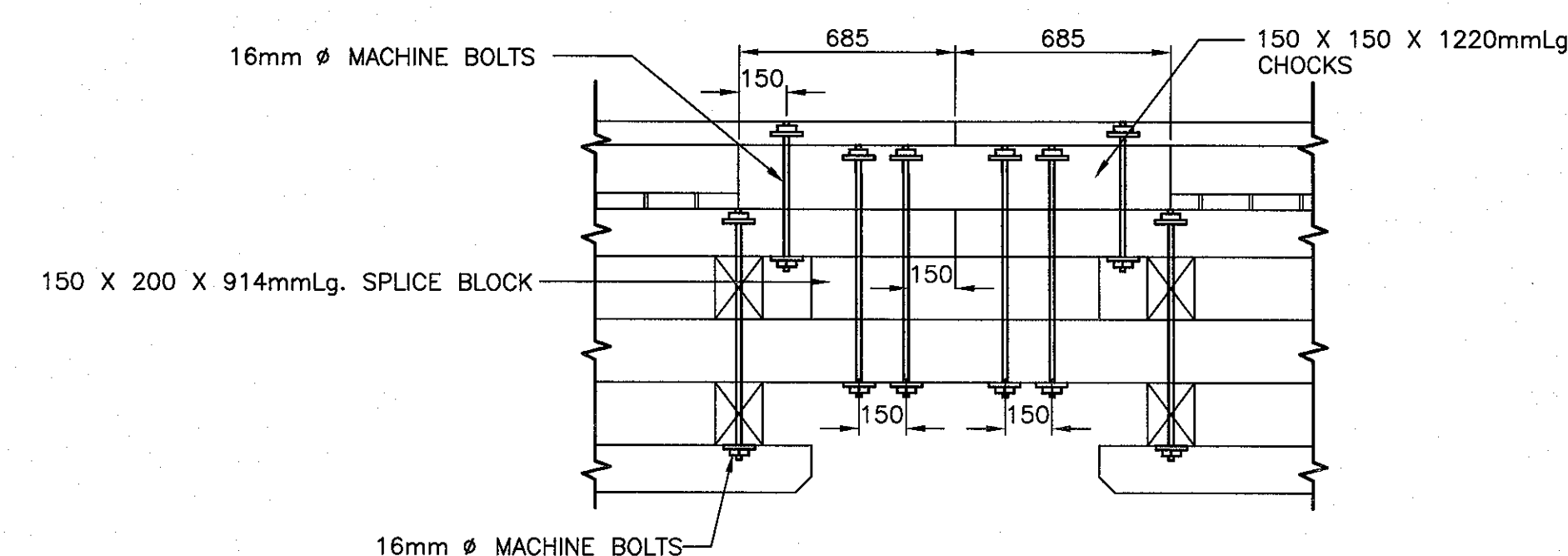
COMPLETE ASSEMBLY - PLAN VIEW
SCALE: 1:40



FLANGE SPLICE
SCALE: 1:20



COMPLETE ASSEMBLY - PLAN VIEW
SCALE: 1:40

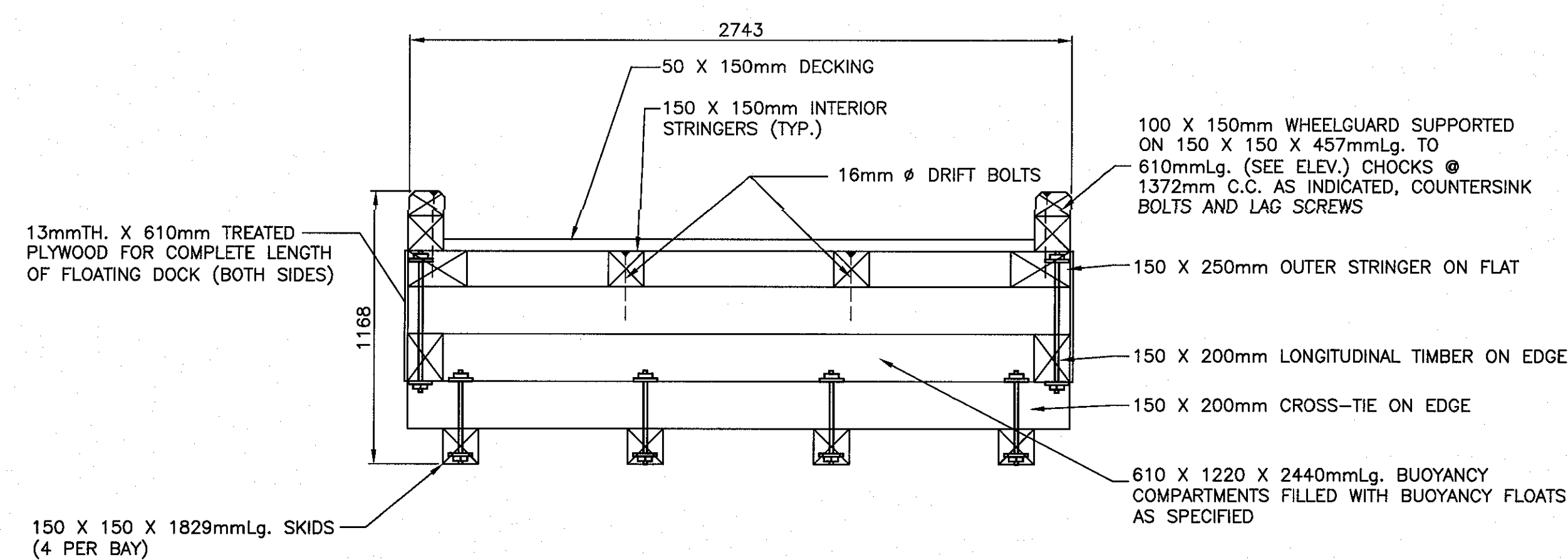
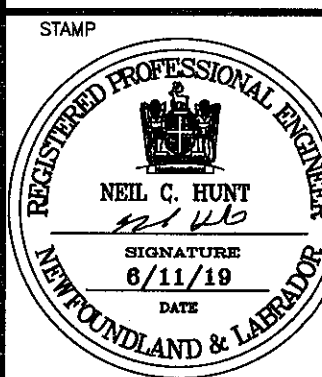


OUTER STRINGER SPLICE
SCALE: 1:20

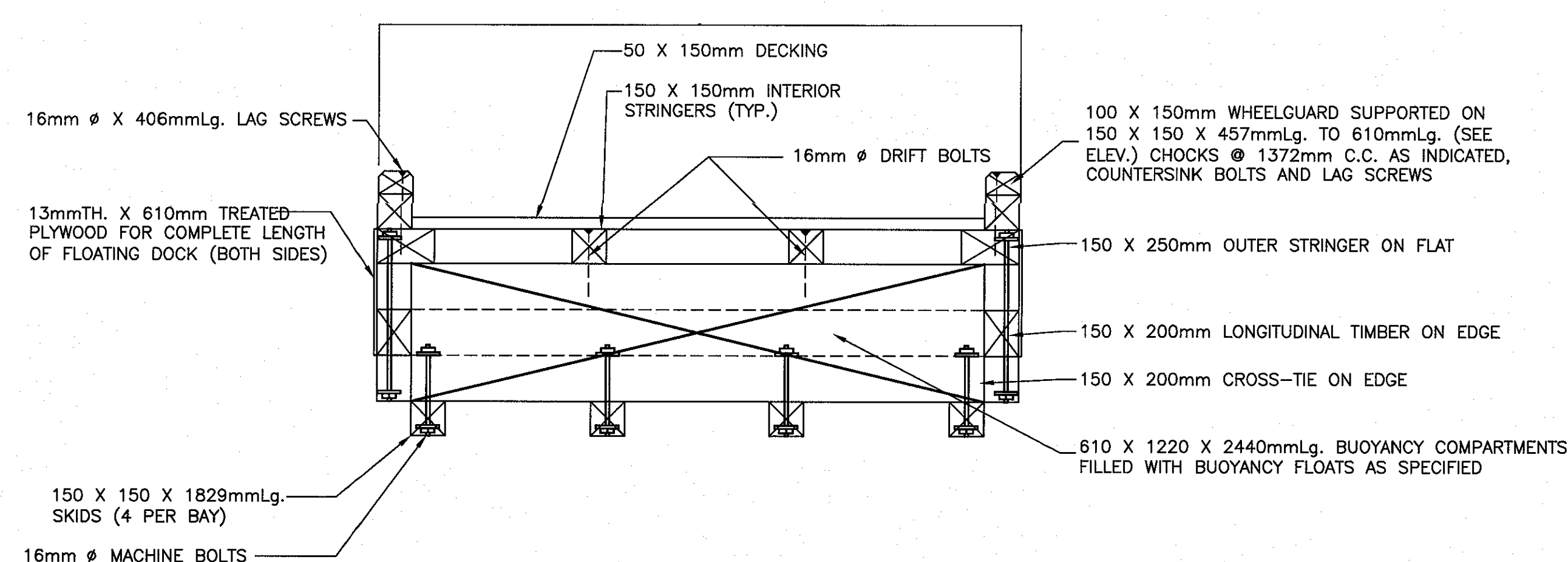
NOTE:
1. 13mm THK. TREATED PLYWOOD NOT SHOWN FOR CLARITY

150 X 200mm LONGITUDINAL ON EDGE SUPPLY IN LENGTH OF 2743 AND 5486 TO OFFSET SPLICES FRONT AND BACK

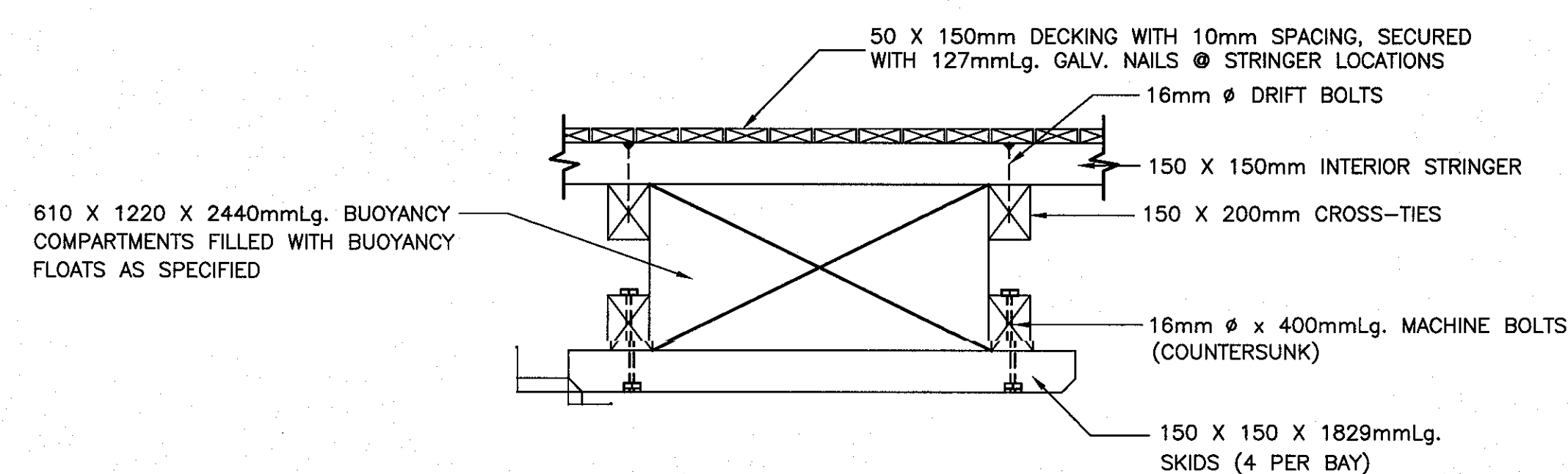
PROVINCE OF NEWFOUNDLAND
PERMIT HOLDER
This Permit Allows
APN ENGINEERING INC.
To practice Professional Engineering in Newfoundland and Labrador.
Permit No. as issued by APBONL #02282
which is valid for the year 2012.



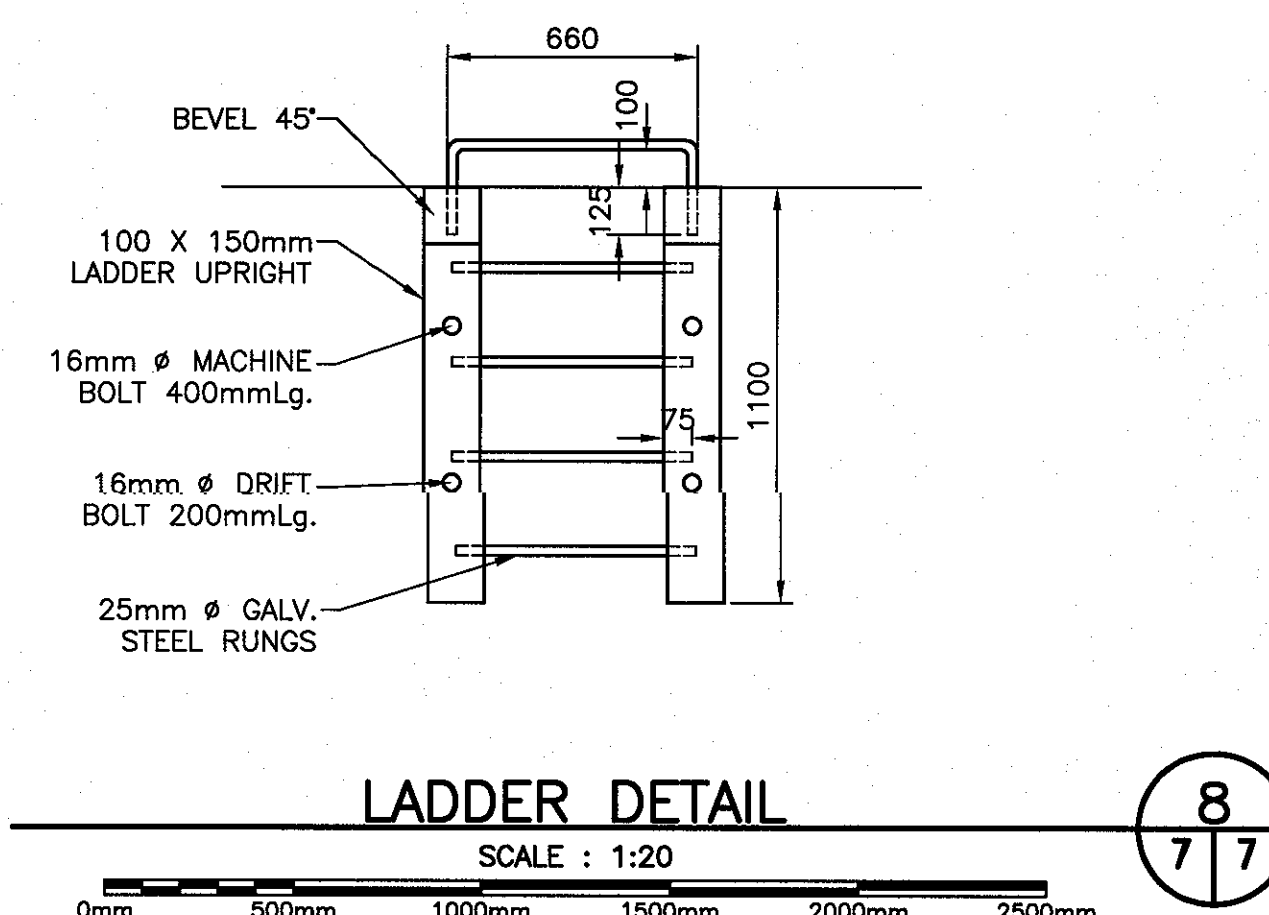
END VIEW
SCALE: 1:20



OUTER STRINGER SPLICE
SCALE: 1:20



BILLET PROTECTION SKIDS
SCALE: 1:20



LADDER DETAIL
SCALE: 1:20

B	ISSUED FOR TENDER	6/11/19
A	ISSUED FOR REVIEW	6/7/19
revisions		date
project		project

SMALL BOAT BASIN DEVELOPMENT
BRIGHTON, NL

FLOATING DOCKS PLANS, ELEVATIONS AND DETAILS

designed N.H.	concu
date JUNE 11, 2019	
drawn P.H.	desine
date JUNE 11, 2019	
approved	approve

Tender Paul Carr
DFO Project Manager
project number 722335
no. du projet

drawing no. C7 no. du dessin

SMALL CRAFT HARBOURS



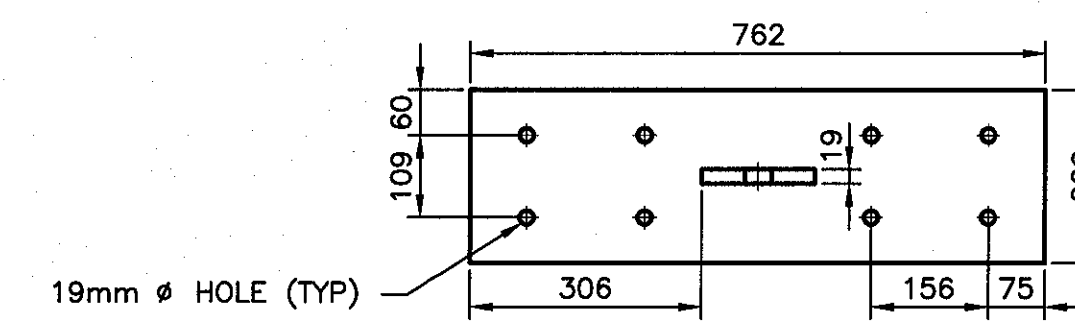
NOTES:

1. ALL ELEVATIONS ARE IN METRES UNLESS OTHERWISE NOTED.
2. ALL DIMENSIONS ARE IN MILLIMETRES UNLESS OTHERWISE NOTED.

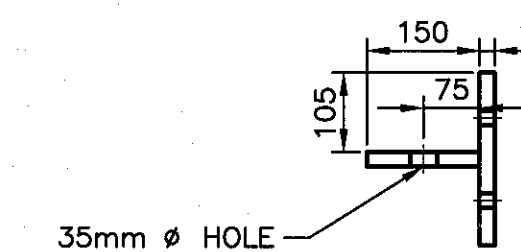
PROVINCE OF NEWFOUNDLAND
PERMIT HOLDER
This Permit Allows
APN ENGINEERING INC.

To practice Professional Engineering in Newfoundland and Labrador, *Neil C. Hunt*
Permit No. as issued by APEONL 30282,
which is valid for the year 2019.

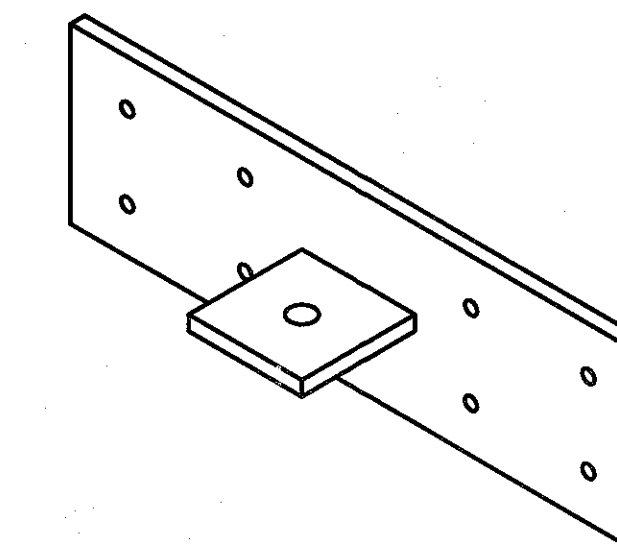
STAMP



FRONT VIEW



SIDE VIEW



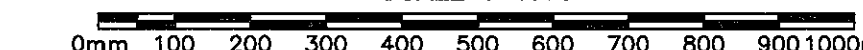
ISOMETRIC

NOTES:

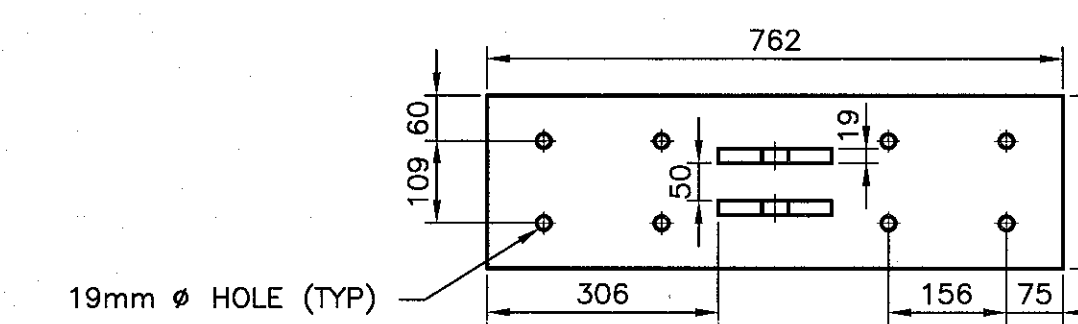
1. ATTACH PLATE TO 200 X 300mm CROSS-TIE TIMBER WITH 16mm ϕ MACHINE BOLTS.
2. ALL HARDWARE GALVANIZED.

STEEL PLATE DETAIL 1

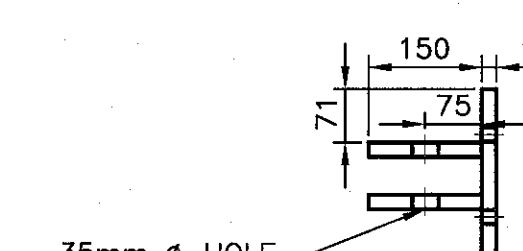
SCALE: 1:10



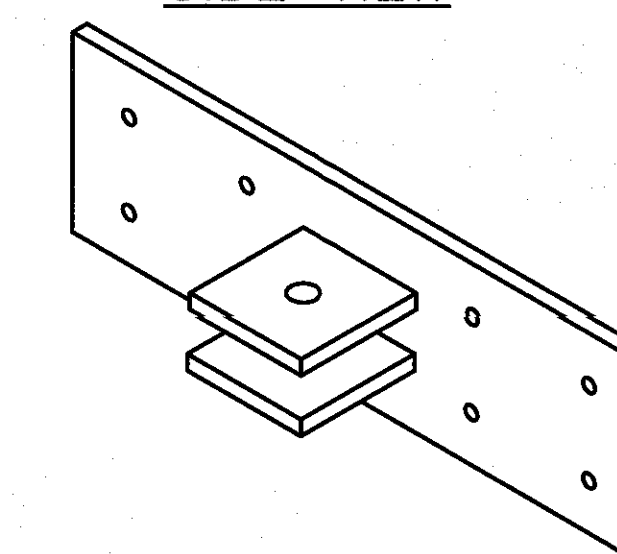
4
6 | 8



FRONT VIEW



SIDE VIEW



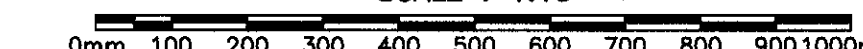
ISOMETRIC

NOTES:

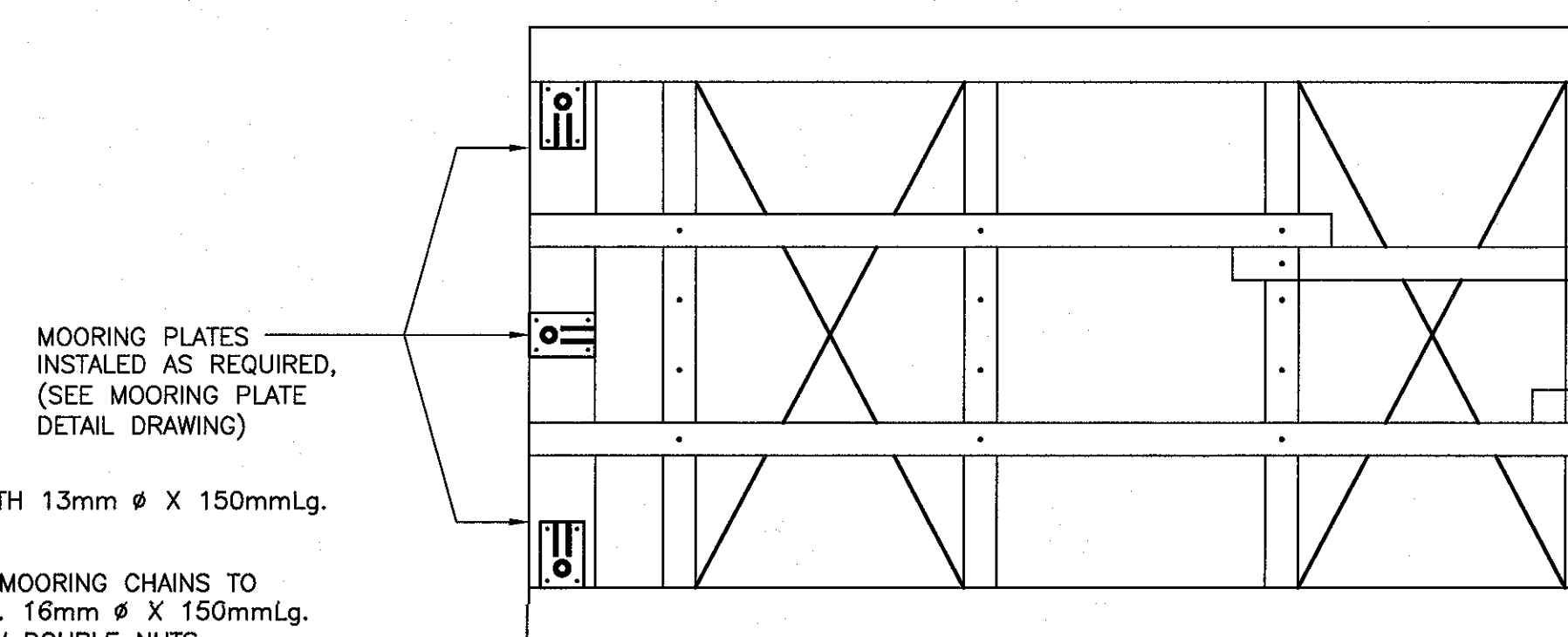
1. ATTACH PLATE TO 200 X 300mm CROSS-TIE TIMBER WITH 16mm ϕ MACHINE BOLTS.
2. ALL HARDWARE GALVANIZED.

STEEL PLATE DETAIL 2

SCALE: 1:10



5
6 | 8



MOORING PLATES INSTALLED AS REQUIRED, (SEE MOORING PLATE DETAIL DRAWING)

NOTES:

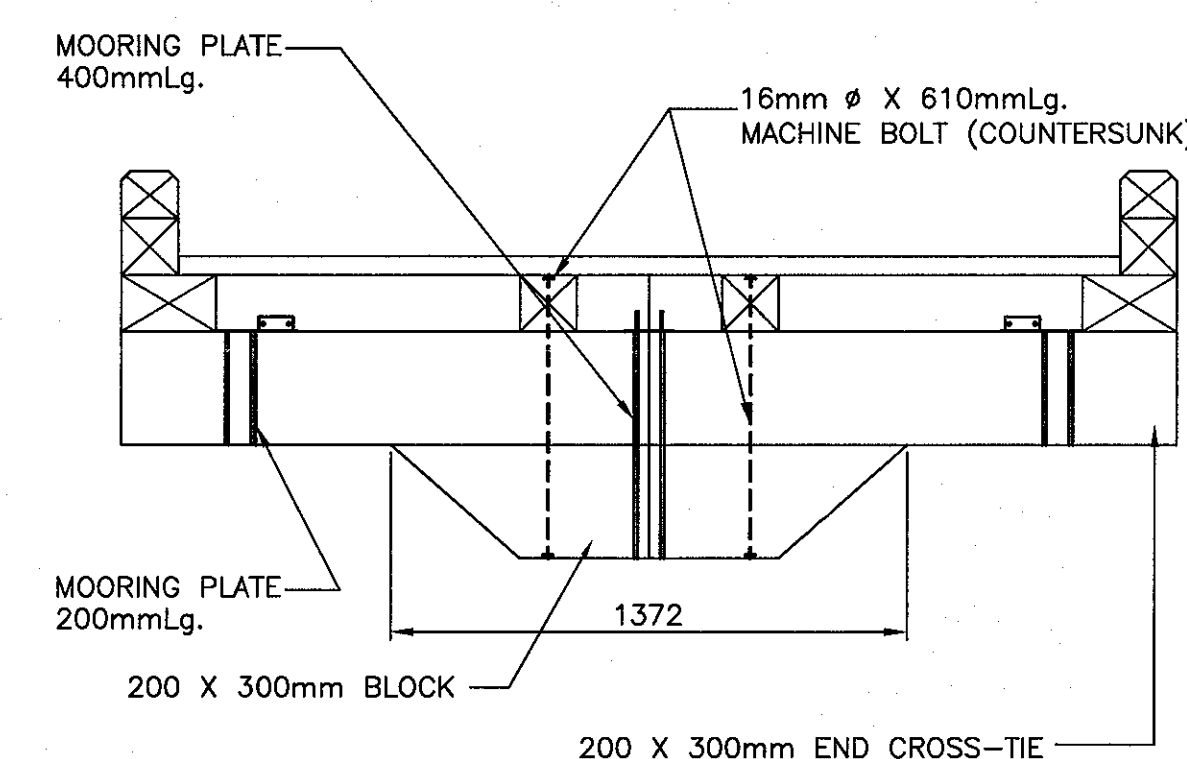
1. ATTACH PLATES WITH 13mm ϕ X 150mmLg. LAG SCREWS.
2. SECURE 13mm ϕ MOORING CHAINS TO PLATES WITH 2-EA. 16mm ϕ X 150mmLg. MACHINE BOLT C/W DOUBLE NUTS.
3. ALL HARDWARE GALVANIZED.

MOORING PLATES PLACEMENT

SCALE: 1:30



1
8 | 8



NOTE:

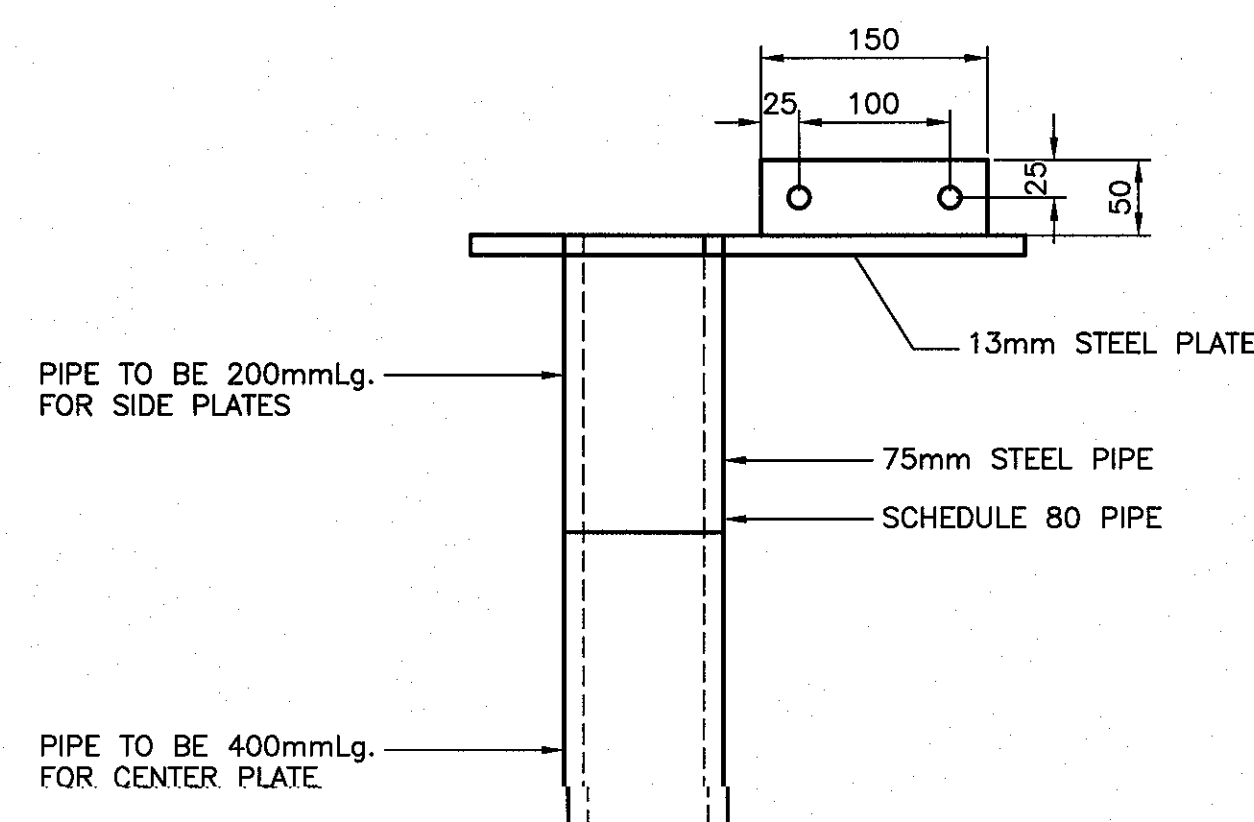
1. FLOATATION BILLETS NOT SHOWN FOR CLARITY.

MOORING PLATE PLACEMENT - END VIEW

SCALE: 1:20

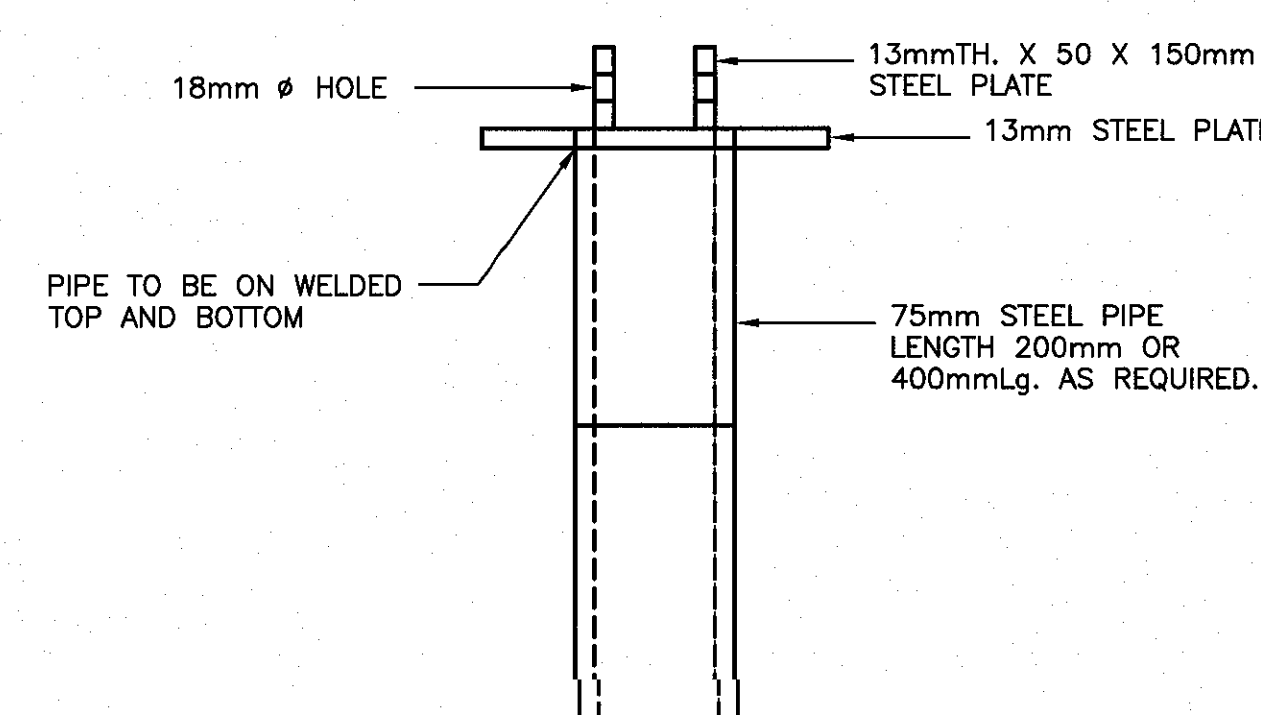


2
8 | 8



PIPE TO BE 200mmLg. FOR SIDE PLATES

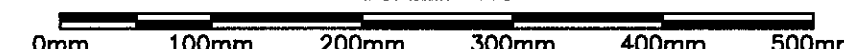
PIPE TO BE 400mmLg. FOR CENTER PLATE



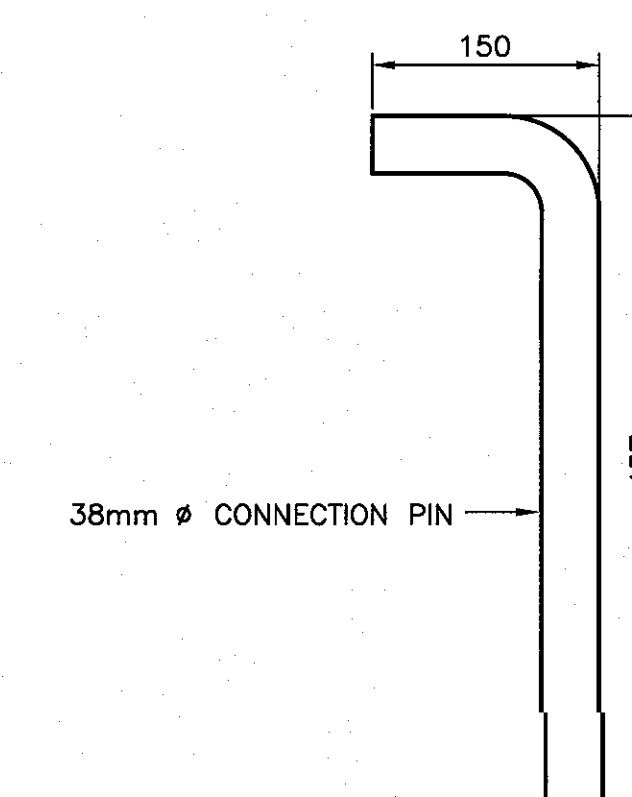
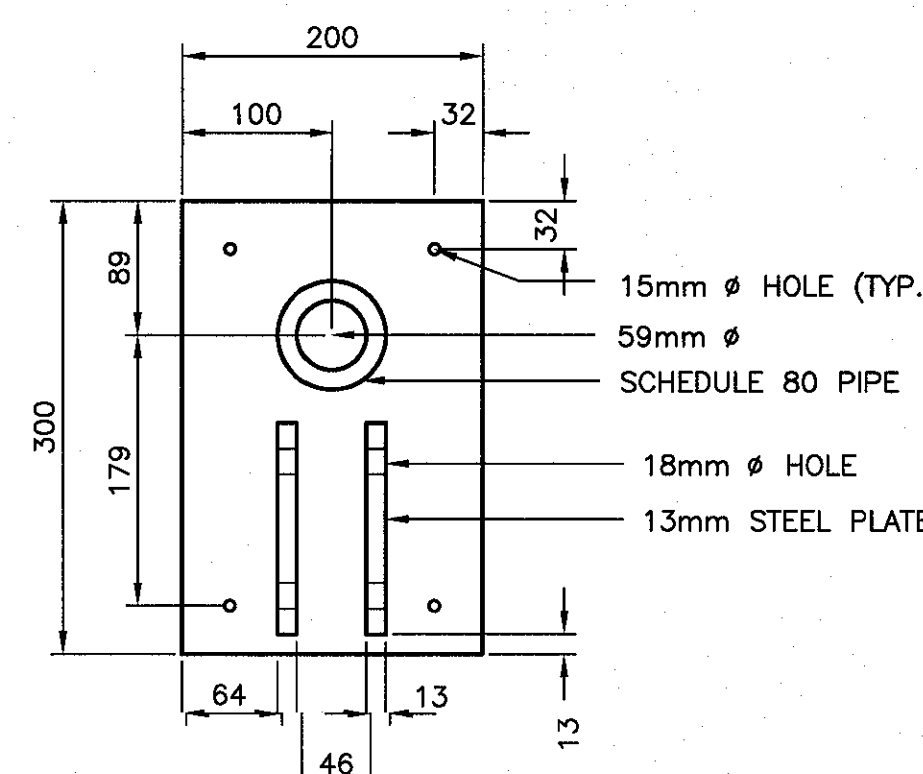
PIPE TO BE ON WELDED TOP AND BOTTOM

PLATE HARDWARE

SCALE: 1:5



3
8 | 8



38mm ϕ CONNECTION PIN

PIN DETAIL

SCALE: 1:5



6
6 | 8

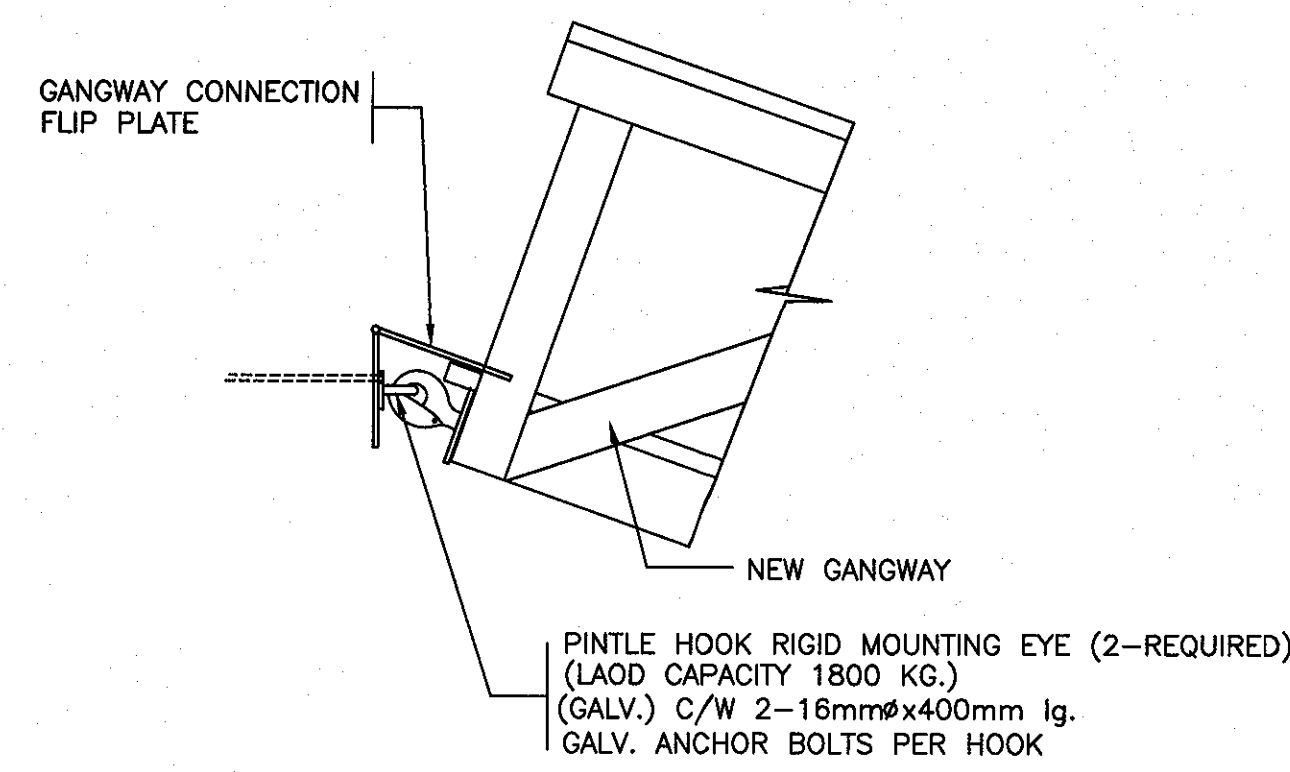
B	ISSUED FOR TENDER	6/11/19
A	ISSUED FOR REVIEW	6/7/19
revisions		date
project		project

SMALL BOAT BASIN DEVELOPMENT
BRIGHTON, NL

drawing design
FLOATING DOCK DETAILS

designed N.H. concu
date JUNE 11, 2019
drawn P.H. destine
date JUNE 11, 2019
approved approve

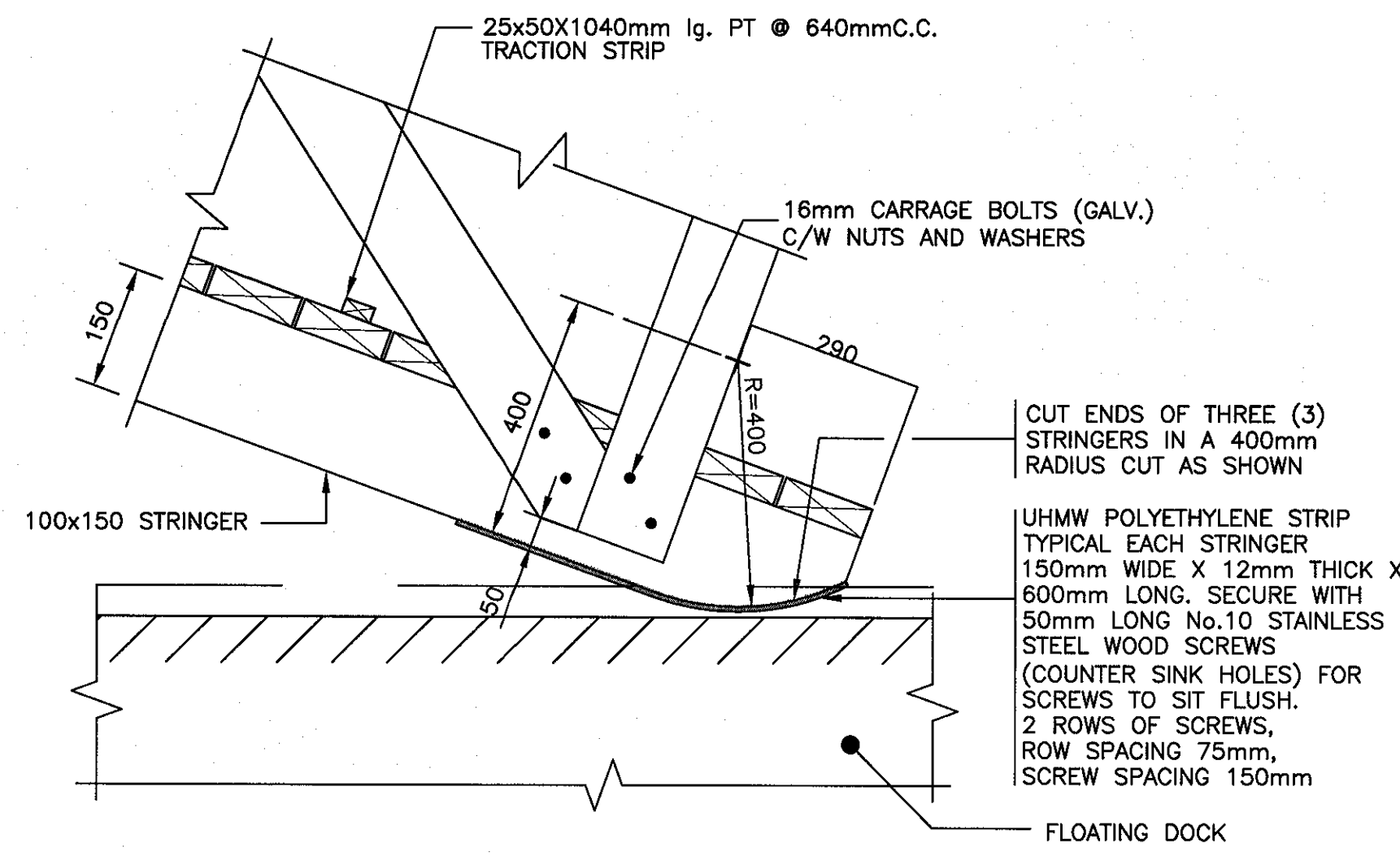
Tender Paul Curran Submission
DFD Project Manager
project number 722335 no. du projet
drawing no. C8 no. du dessin



PINTLE MOUNTING HOOK DETAIL 1
9/9

SCALE : 1:20

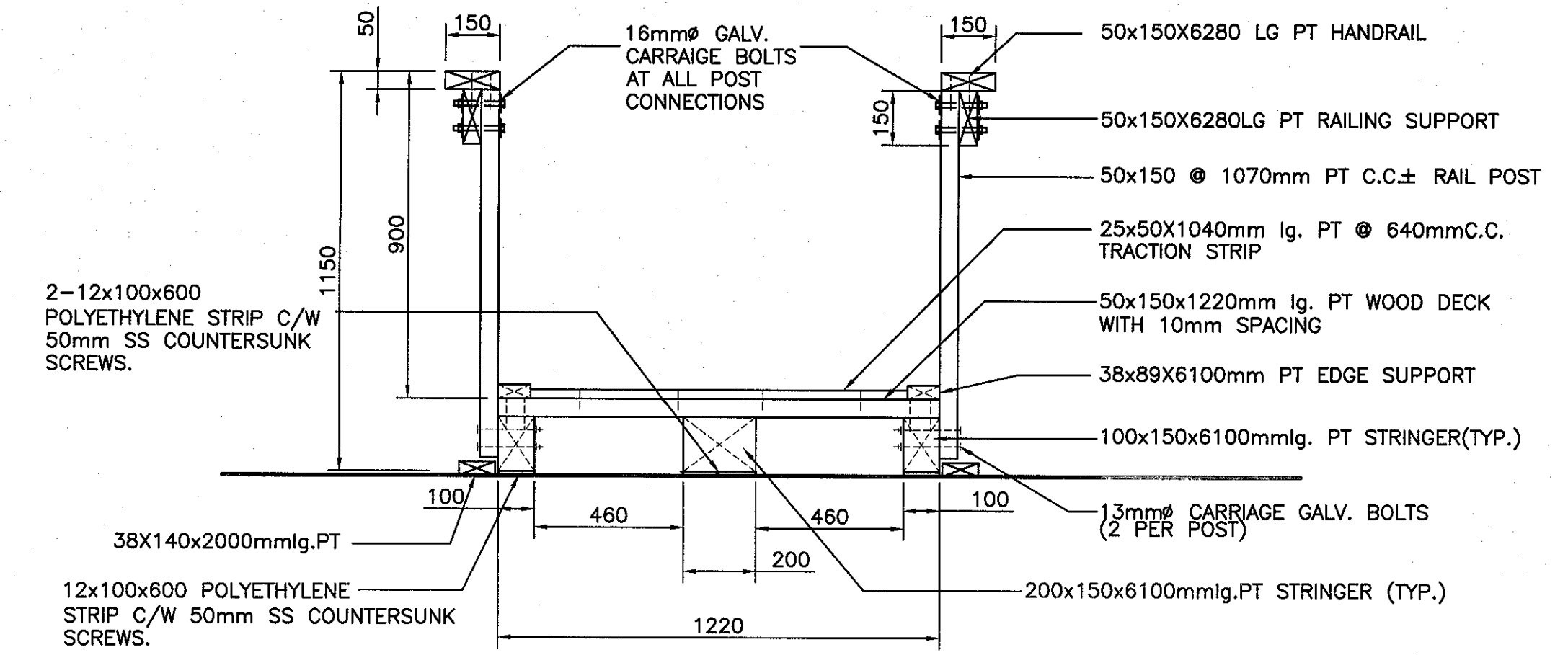
0mm 500mm 1000mm 1500mm 2000mm 2500mm



DETAIL - GANGWAY WHEEL 2
9/9

SCALE : 1:10

0mm 100 200 300 400 500 600 700 800 900 1000mm

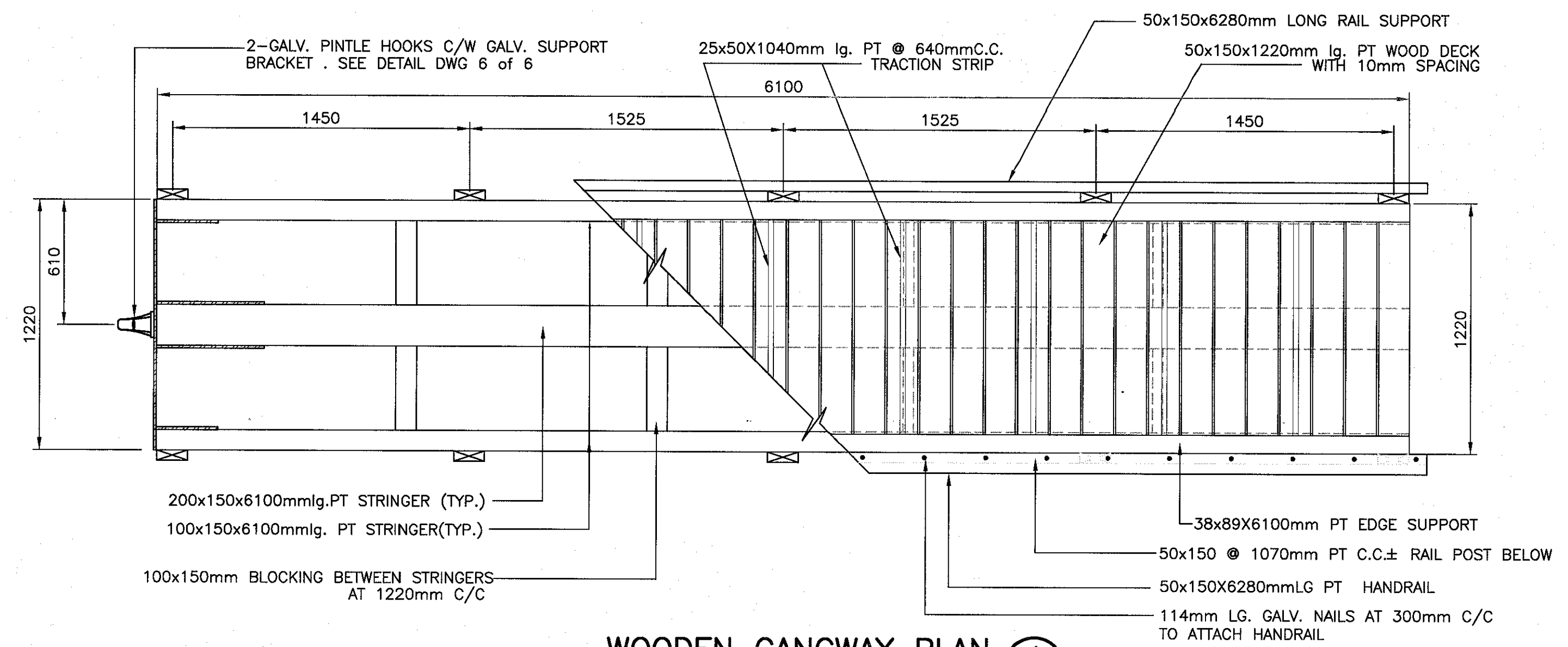


NOTE
GANGWAY CONSTRUCTED WITH 125mm GALVANIZED NAILS (UNLESS OTHERWISE NOTED) ALL TIMBER CCA TREATED.

SECTION THRU GANGWAY 3
9/9

SCALE: 1:15

0mm 500mm 1000mm 1500mm

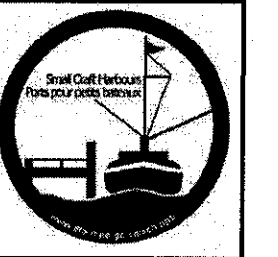


WOODEN GANGWAY PLAN 4
9/9

SCALE : 1:20

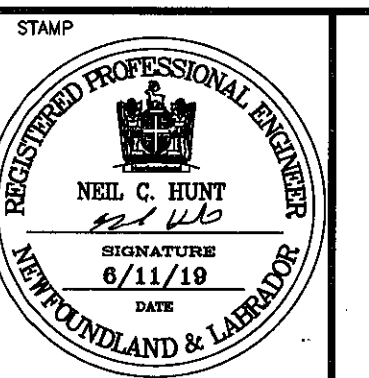
0mm 500mm 1000mm 1500mm 2000mm 2500mm

SMALL CRAFT HARBOURS



- NOTES:
1. ALL ELEVATIONS ARE IN METRES UNLESS OTHERWISE NOTED.
 2. ALL DIMENSIONS ARE IN MILLIMETRES UNLESS OTHERWISE NOTED.

PROVINCE OF NEWFOUNDLAND
PERMIT HOLDER
This Permit Allows
APN ENGINEERING INC.
To practice Professional Engineering
in Newfoundland and Labrador. *Neil C. Huynh*
Permit No. as issued by APEGNL, P0282,
which is valid for the year 2019.



B	ISSUED FOR TENDER	6/11/19
A	ISSUED FOR REVIEW	6/7/19
revisions		date
project		project

SMALL BOAT BASIN DEVELOPMENT
BRIGHTON, NL

GANGWAY DETAILS

designed N.H.	conco
date JUNE 11, 2019	
drawn P.H.	desaine
date JUNE 11, 2019	
approved	approved

Tender *Paul Curran* Submission
DFO Project Manager
project number 722335 no. du projet
drawing no. C9 no. du dessin

SMALL CRAFT HARBOURS



NOTES:
1. ALL ELEVATIONS ARE IN METRES UNLESS OTHERWISE NOTED.
2. ALL DIMENSIONS ARE IN MILLIMETRES UNLESS OTHERWISE NOTED.

PROVINCE OF NEWFOUNDLAND
PERMIT HOLDER
This Permit Allows
APN ENGINEERING INC.

To practice Professional Engineering in Newfoundland and Labrador, APN Permit No. as issued by APNENL F0282, which is valid for the year 2019.



B	ISSUED FOR TENDER	6/11/19
A	ISSUED FOR REVIEW	6/7/19
revisions		date
project		project

SMALL BOAT BASIN DEVELOPMENT

BRIGHTON, NL

SECTIONS - GRAVEL LAUNCH AND UPLANDS

designed N.H. concu

date JUNE 11, 2019

drawn P.H. dessine

date JUNE 11, 2019

approved approved

Tender Paul Curran Submission

DFO Project Manager

project number 722335 no. du projet

drawing no. C10 no. du dessin

