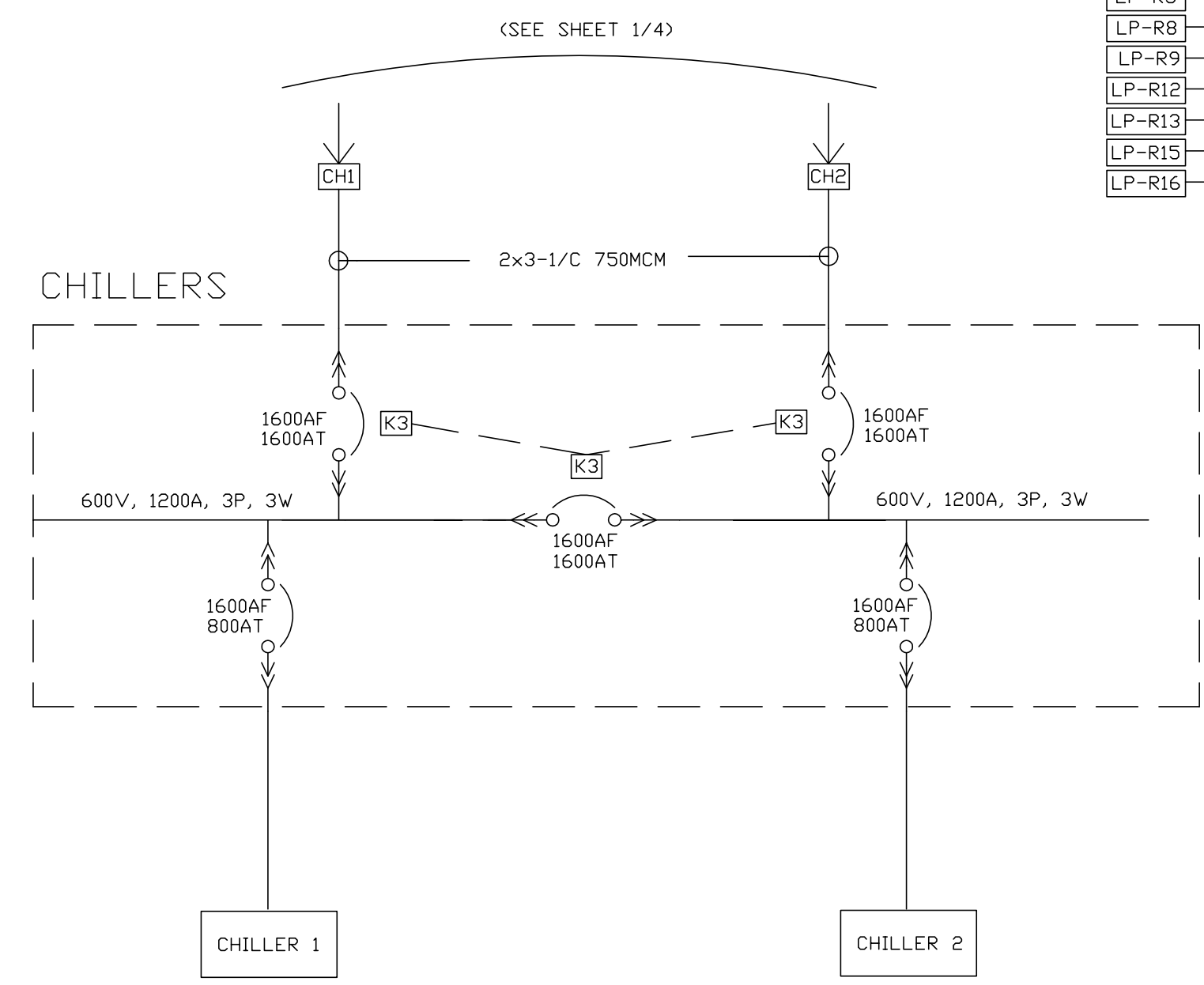
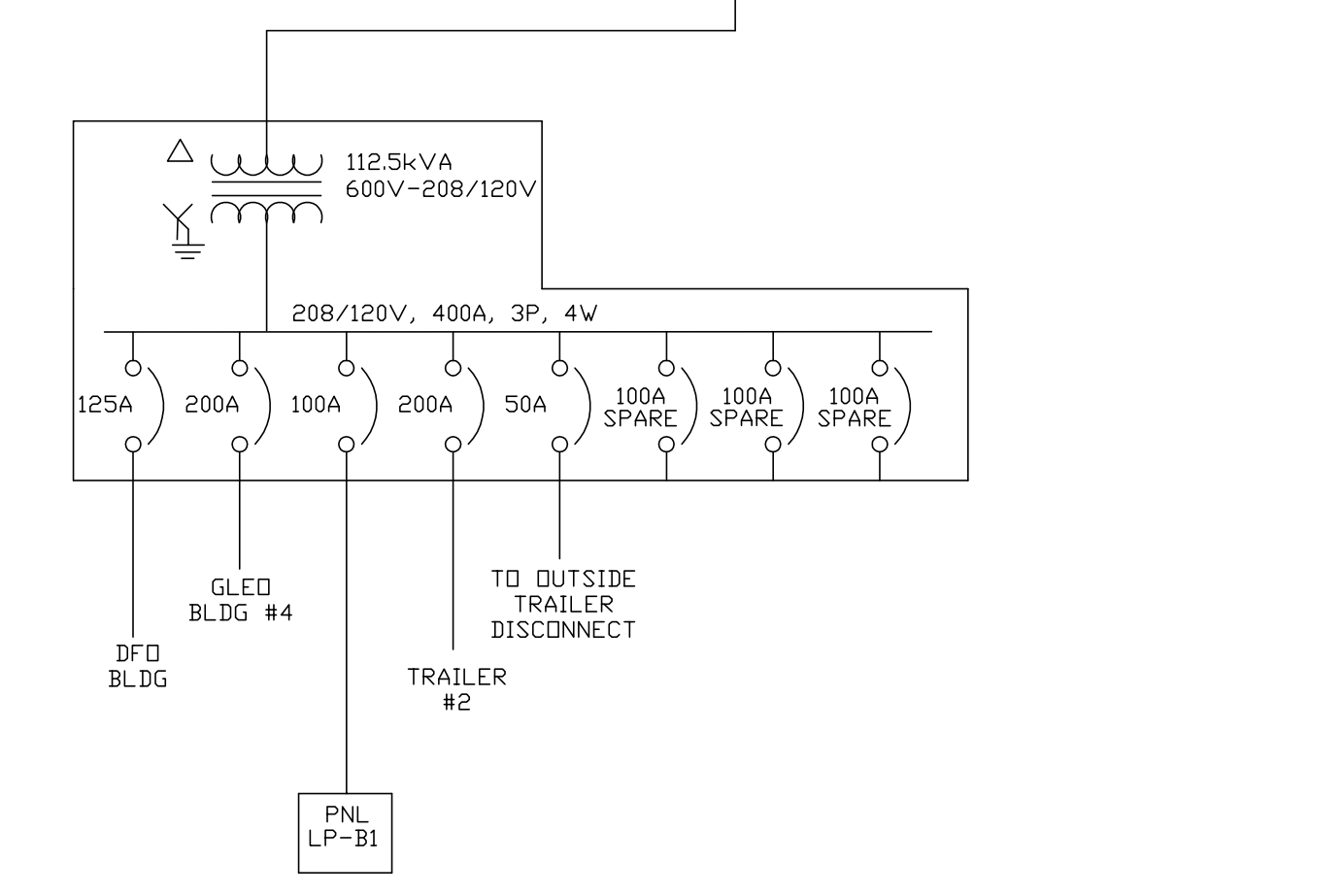
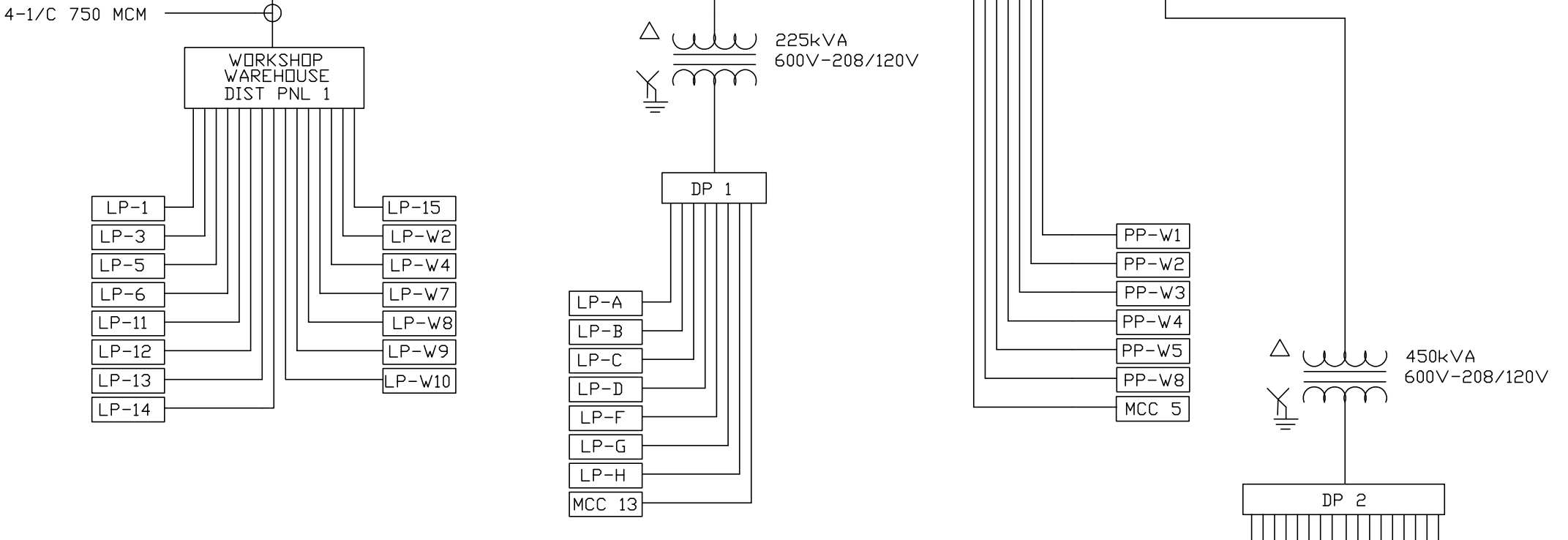
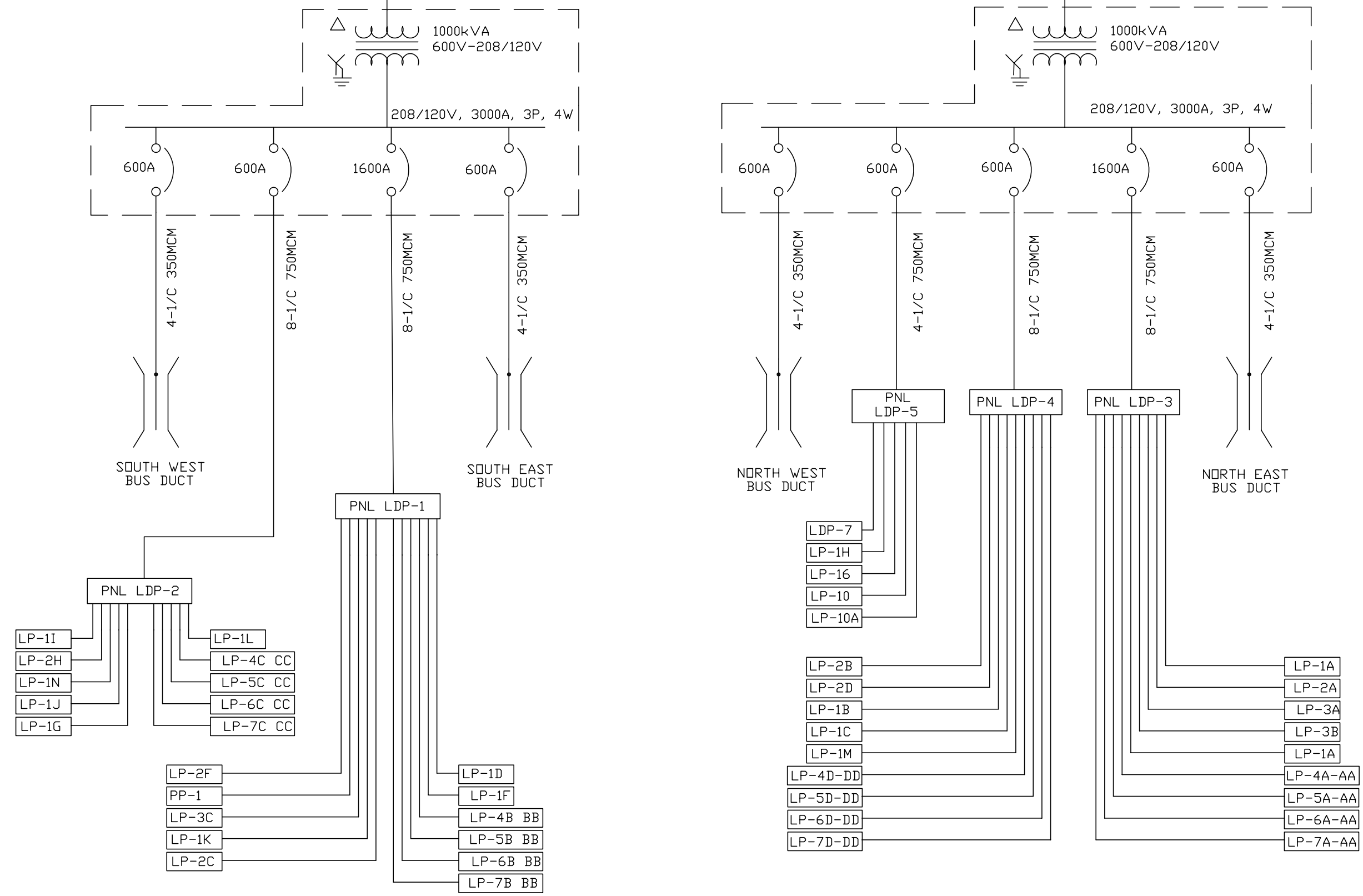
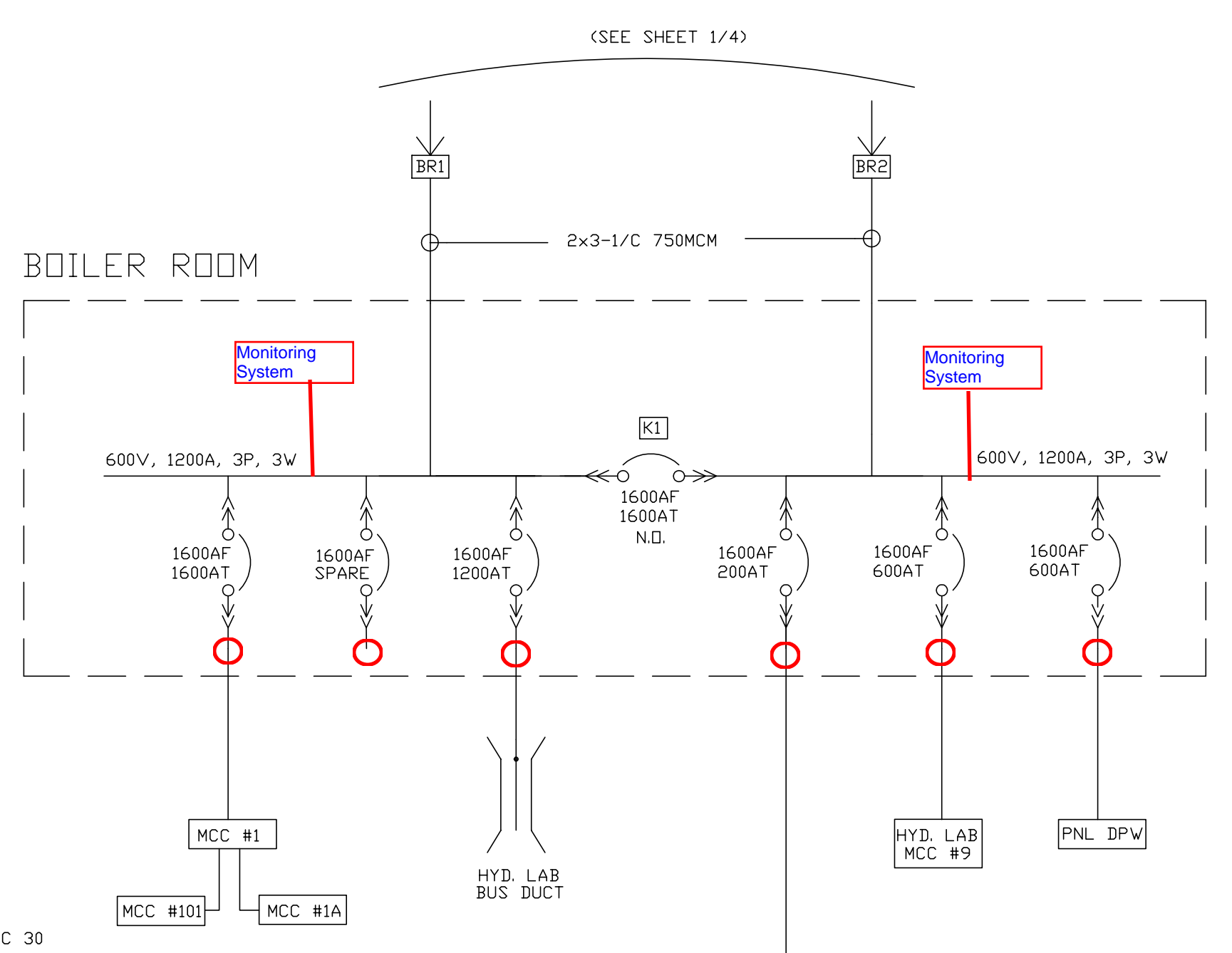
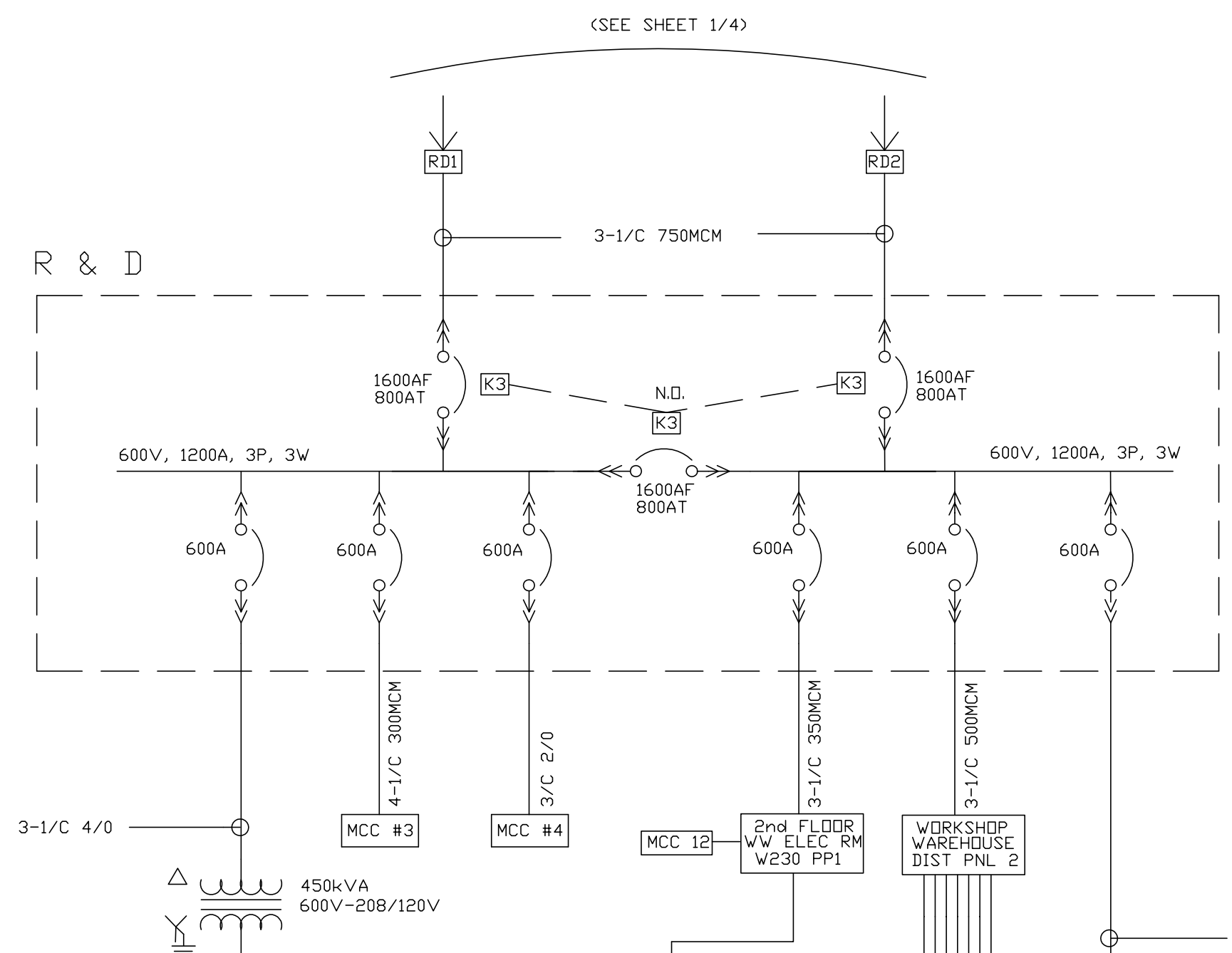
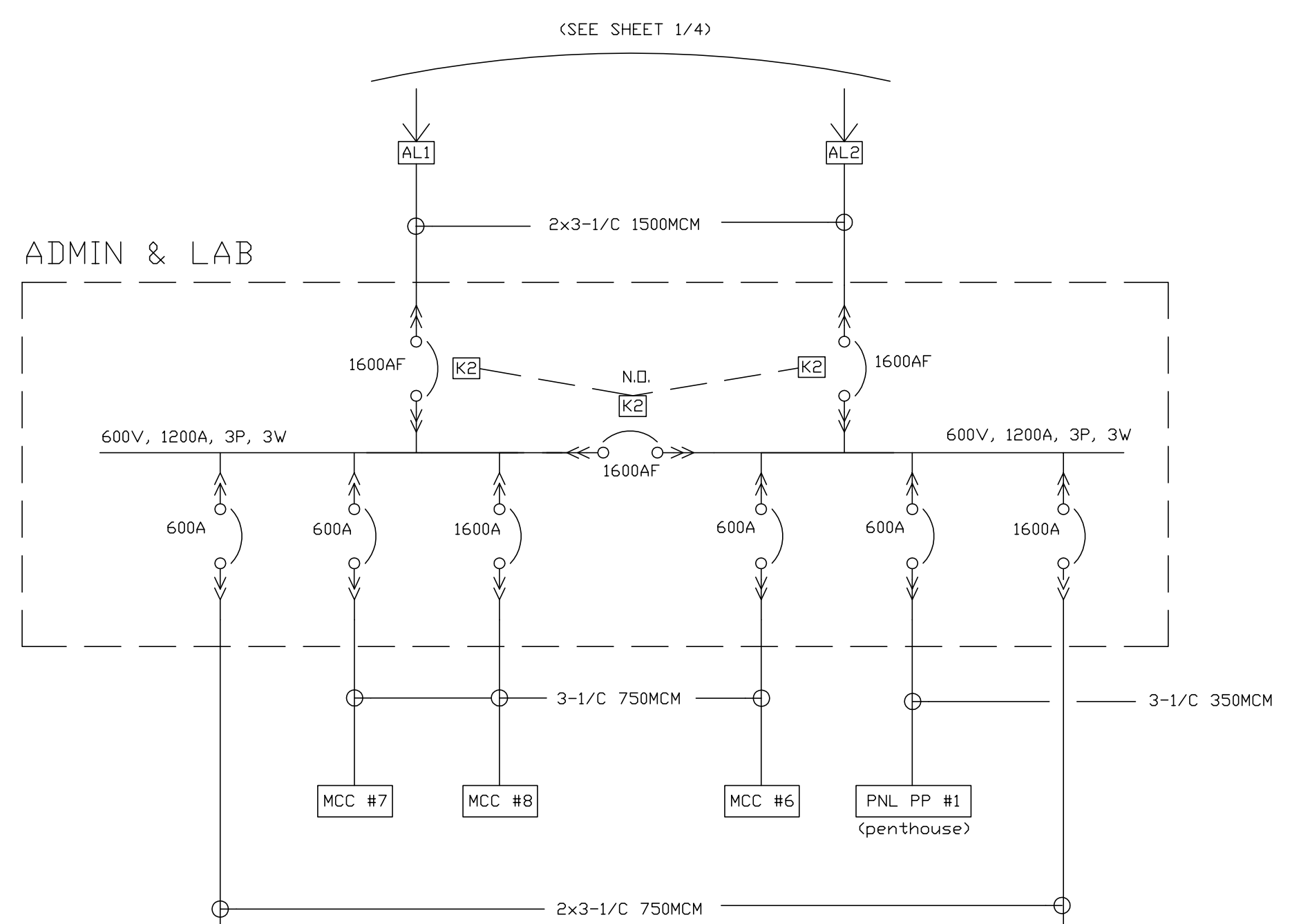


8 7 6 5 4 3 2 1

REVISIONS			
REV NO	DESCRIPTION	DATE	APPROVED



○ Zero Sequence Current Sensor

	CUSTOMER: CANADA CENTER FOR INLAND WATERS		
	TITLE: ADMIN & LAB, R & D, BOILER ROOM & CHILLER DISTRIBUTION SINGLE LINE DIAGRAM		
SIZE:	DWG NO.:	REV	
	R25-046		
SCALE: NOT TO SCALE		SHEET 2 OF 4	

8 7 6 5 4 3 2 1