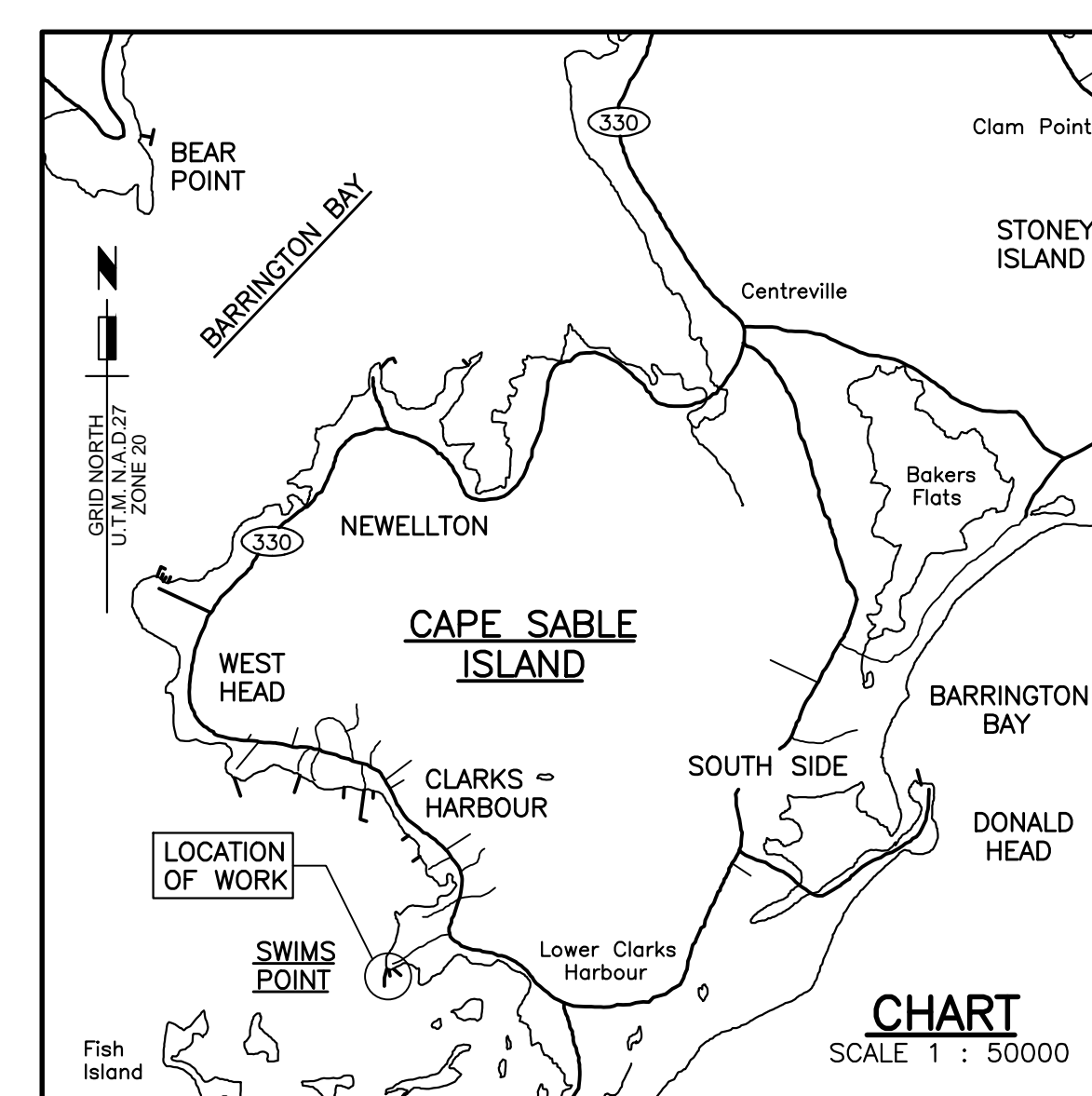
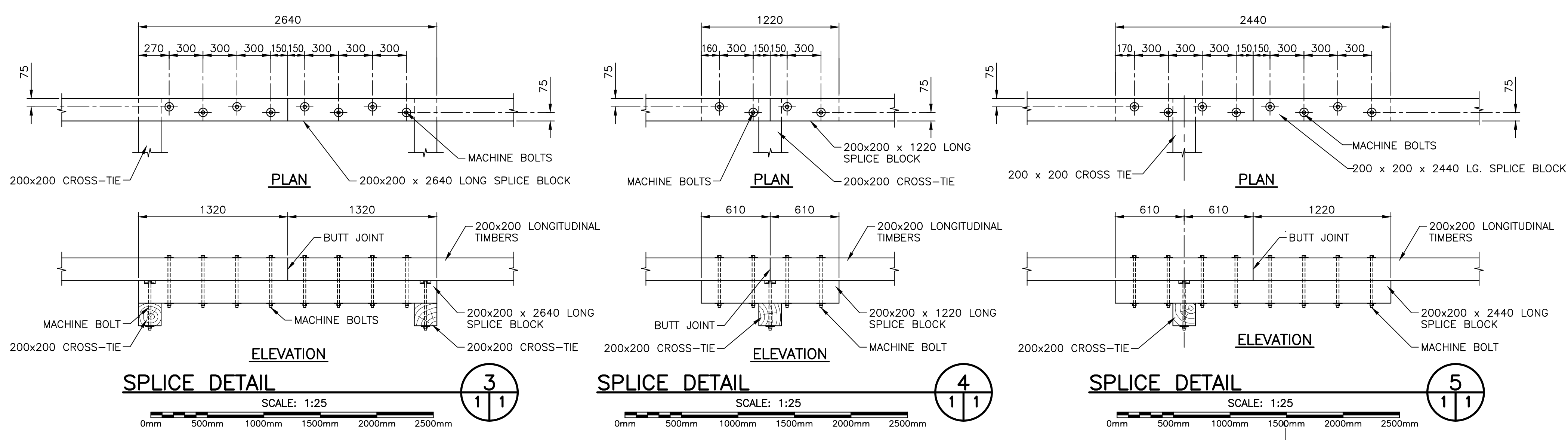


- NOTES:**
1. THERE ARE CURRENTLY FOUR EXISTING WAVEBREAKS. TWO OF THE EXISTING WAVEBREAKS WILL BE REPLACED BASED UPON OBSERVATION MADE IN THE FIELD AND IN COORDINATION WITH THE HARBOUR AUTHORITY. THE CONTRACTOR IS FOR REMOVAL AND DISPOSAL OF THE TWO (2) EXISTING WAVEBREAKS IDENTIFIED FOR REPLACEMENT.
 2. CONTRACTOR TO SUPPLY AND INSTALL 12 NEW LENGTHS OF 12.2m 80 GRADE HARD STEEL CHAIN. CONTRACTOR TO SUPPLY AND INSTALL 2 LENGTHS OF 15.3m 80 GRADE HARD STEEL CHAIN.



0		
revisions		date
project		project
WAVE BREAK CONSTRUCTION SWIMS POINT SHELburne COUNTY NOVA SCOTIA		
drawing		dessin
PLAN, SECTION, ELEVATION AND DETAILS		
designed		conçu
date		
drawn		dessiné
date		
approved		approuvé
date		
Tender		Soumission
PWSC Project Manager		Administrateur de projets TPSGC
project number		no. du projet
drawing no.		no. du dessin
Sht. 1 of 2		