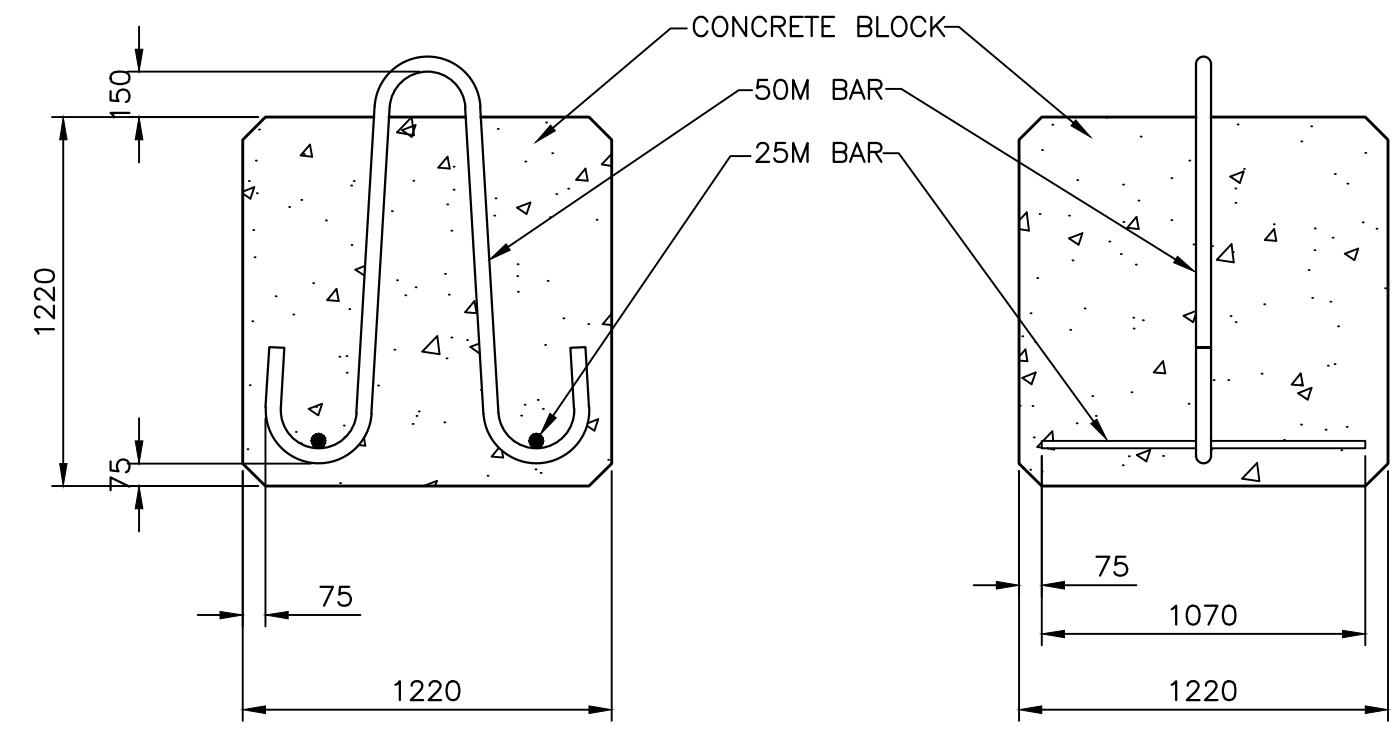


NOTES
 1. ALL MACHINE BOLTS, EXCEPT WHERE NOTED, SHALL BE 19mm DIA. GALVANIZED c/w WASHERS AND NUT.



0		
revisions		date
project	project	
WAVE BREAK CONSTRUCTION SWIMS POINT SHELburne COUNTY NOVA SCOTIA		
drawing	dessin	
DETAILS		
designed	conçu	
date		
drawn	dessiné	
date		
approved	approuvé	
date		
Tender	Soumission	
PWGC Project Manager	Administrateur de projets TPSGC	
project number	no. du projet	
drawing no.	no. du dessin	
Sht. 2 of 2		