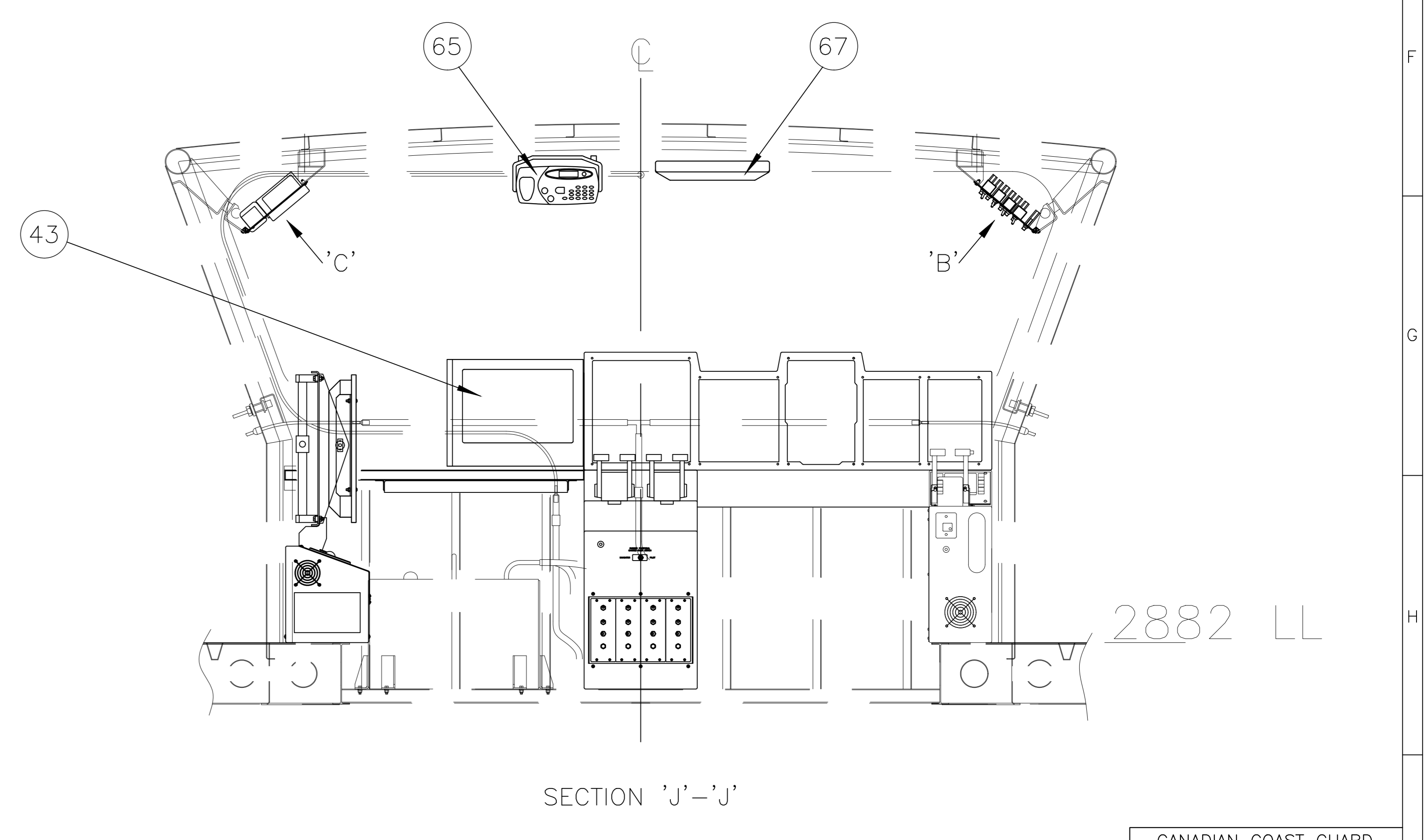
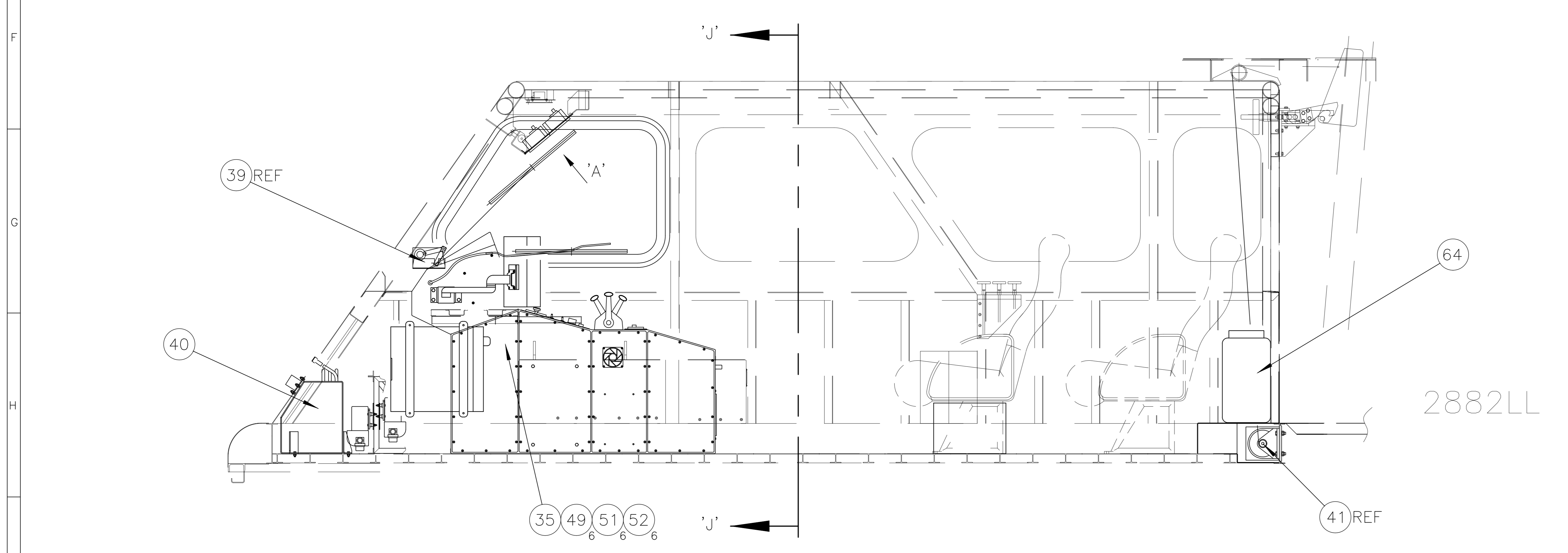


REF	DRAWING OR PART NO	DESCRIPTION	UNIT AS DRAWN	QTY	FORM HAND	MATERIAL	REMARKS
1	HTWAP1-88-80-4060	CONTROL CABIN ASSEMBLY					REF. ONLY
2	HTWAP1-88-80-4052	ENGINE START	1				G.A. O/HEAD CENTRE PANEL AB
3	HTWAP1-88-80-4132	ENGINE STATUS AND HYDRAULICS	1				G.A. O/HEAD CENTRE PANEL AN
4	HTWAP1-88-80-4055	ENGINE STATUS AND COMPASS	1				G.A. O/HEAD CENTRE PANEL AD
5	HTWAP1-88-80-4138	CO-PILOT NAVIGATION PANEL	1				G.A. O/HEAD CENTRE PANEL AF
6	HTWAP1-88-80-4034	CIRCUIT BREAKERS	1				G.A. O/HEAD CENTRE PANEL AG
7	HTWAP1-88-80-4035	CIRCUIT BREAKERS	1				G.A. O/HEAD CENTRE PANEL AH
8	HTWAP1-88-80-4045	NAVIGATION LIGHTS	1				G.A. O/HEAD SIDE PANEL STBD AZ
9	HTWAP1-88-80-4054	GEN./ BATT CONTROLS & AMMETER	1				G.A. O/HEAD SIDE PANEL STBD AC
10	HTWAP1-88-80-4059	HEATING/T.R.U & APU ENGINE START	1				G.A. O/HEAD SIDE PANEL STBD AM
11	HTWAP1-88-80-4047	WINDSPEED, O.A.T. AND CLOCK	1				G.A. O/HEAD SIDE PANEL PORT AS
12	HTWAP1-88-80-4046	NAVTEX RECEIVER PANEL	1				G.A. O/HEAD SIDE PANEL PORT BA
13	HTWAP1-88-80-4044	F.O.G & ATTITUDE REF. SYSTEM	1				G.A. O/HEAD SIDE PANEL PORT AV
14	HTWAP1-88-80-4057	FUEL CONTENTS	1				G.A. DASHBOARD PANEL AJ
15	WAP1-88-81-4165	FIRE SYSTEM	1				G.A. DASHBOARD PANEL AX
16	HTWAP1-88-80-4056	WARNING INDICATORS & FLIGHT AIDS	1				G.A. DASHBOARD PANEL AK
17	HTWAP1-88-80-4058	ENGINE TACHOMETERS	1				G.A. DASHBOARD PANEL AL
18	HTWAP1-88-80-4048	NAV. SYSTEM & VHF DIRECTION FINDER	1				G.A. DASHBOARD PANEL AT
19	HTWAP1-88-80-4074	CONTROL UNIT-BOW THRUSTER	1				G.A. PILOTS SUB PANEL AW
20	HTWAP1-88-80-4063	VENTILATION & MAST CONTROL	1				G.A. O/HEAD SIDE PANEL STBD AA114
21	HTWAP1-88-80-4030	AIR VENT PANEL	4				G.A. O/HEAD SIDE PANEL PORT/STBD
22	HTWAP1-88-80-4031	RADIO PANEL	1				G.A. O/HEAD SIDE PANEL PORT
23	HTWAP1-88-80-4032	COMMS PANEL	1				G.A. O/HEAD SIDE PANEL PORT
24	HTWAP1-88-80-4033	BLANK PANEL	1				G.A. O/HEAD SIDE PANEL PORT
25	HTWAP1-88-80-4038	COMMS PANEL	1				G.A. O/HEAD SIDE PANEL STBD
26	HTWAP1-88-80-4039	SPEAKER PANEL	1				G.A. O/HEAD SIDE PANEL STBD
27	HTWAP1-88-H-4067	BRACKET	REF				
28							
29							
30							
31							
32	HTWAP1-88-80-4156	SIDE BOX ASSY (CONTROL CABIN)	1				STBD SIDE
33	HTWAP1-88-81-4133	DIFF. TO CONTROL BOX ASSEMBLY	1				STBD SIDE
34	HTWAP1-88-80-4042	INSTRUMENT PANEL (DASHBOARD)	1				
35	HTWAP1-88-80-4005	CENTRE CONSOL ASSEMBLY	1				
36	HTWAP1-88-80-4006	RADAR CONTROL BOX ASSEMBLY	1				
37	HTWAP1-88-H-4157	MOUNTING FOR 19" FLAT SCREEN	REF				
38	HTWAP1-88-H-4432	DETAILS (15" TOUCH SCREEN)	REF				
39	HTWAP1-88-H-4144	WINDSCREEN WIPER ASSEMBLY	REF				
40	HTWAP1-88-83-4008	WINDOW WASHER ASSEMBLY	1				
41	HTDWP1-88-H-4139	DIFF. TO ROOF SPINE & WINCH ASSY	REF				
42							



ISSUE	SHEET	DATE	BY	CHECKED	APPROVED
1	1	22-01-09			
2	2				
3	3				
4	4				
5	5				

CANADIAN COAST GUARD  
 WAP1-88/400 CRAFT- #403

THIS DRAWING IS THE PROPERTY OF HOVERWORK LIMITED AND MAY NOT BE COPIED OR USED FOR ANY PURPOSE OTHER THAN THAT FOR WHICH IT WAS SUPPLIED WITHOUT THE EXPRESS WRITTEN AUTHORITY OF HOVERWORK LIMITED.

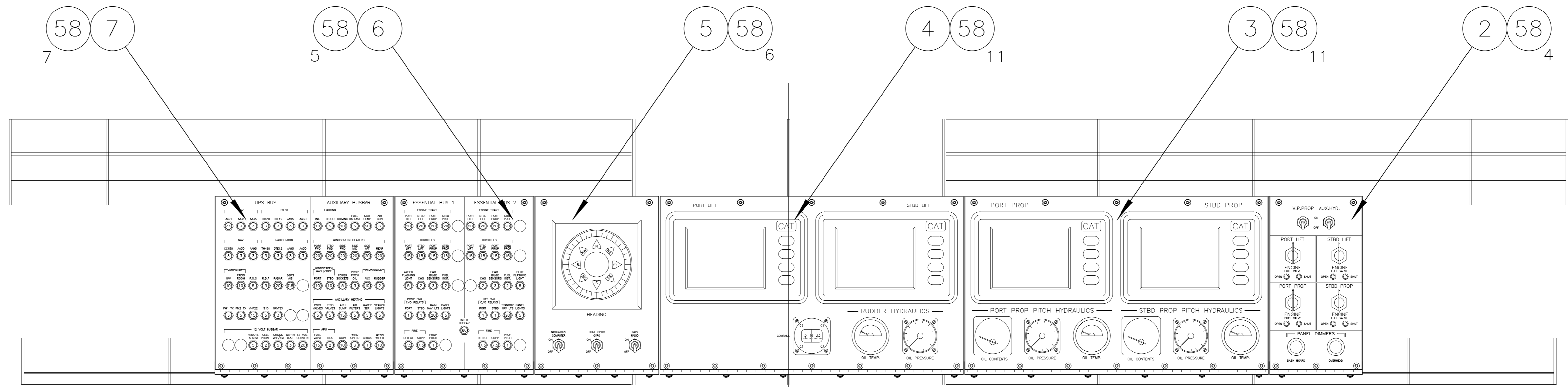
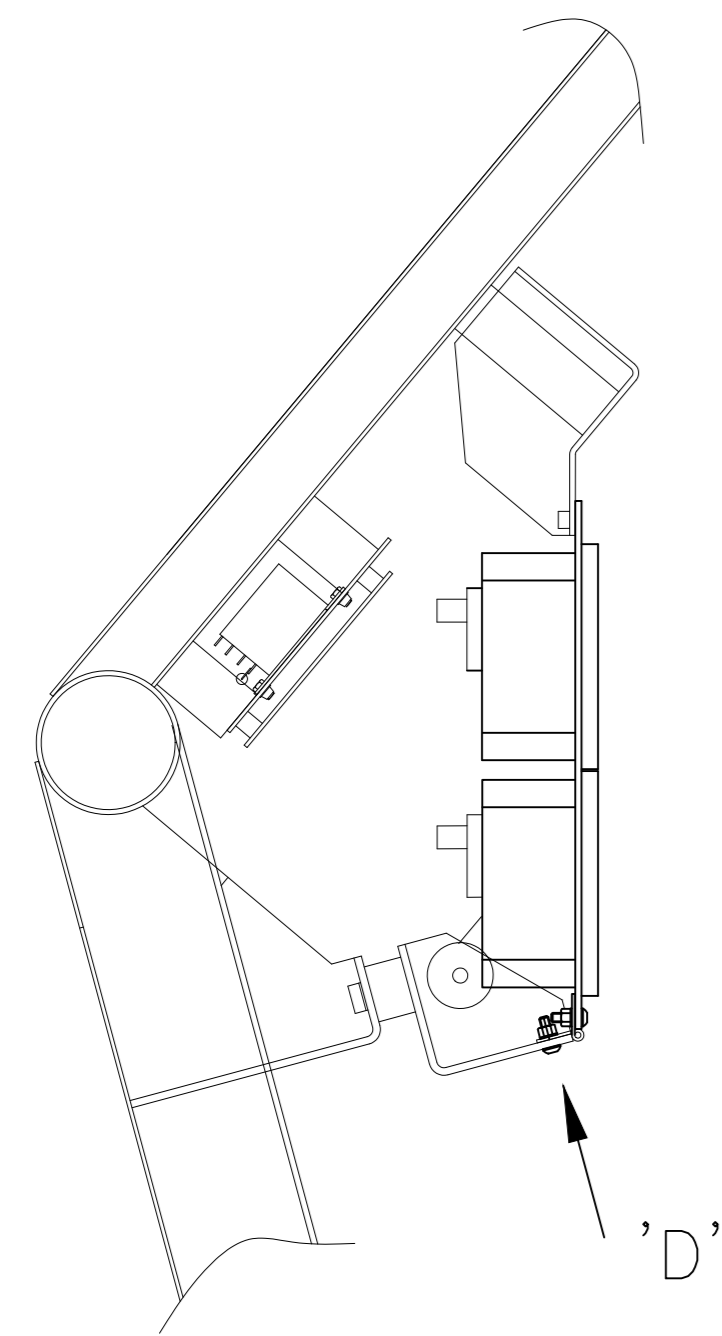
HOVERWORK LIMITED  
 ST. HELENS, ISLE OF WIGHT ENGLAND PO33 1YB  
 TEL: 01983 872222 FAX: 01983 872222

ISSUE 3 DATE 22-01-09  
 DRAWN BY [Signature] CHECKED BY [Signature] APPROVED BY [Signature]  
 DESIGNER: [Signature] DESIGNER: [Signature] DESIGNER: [Signature]  
 NOTES: [Signature] NOTES: [Signature] NOTES: [Signature]

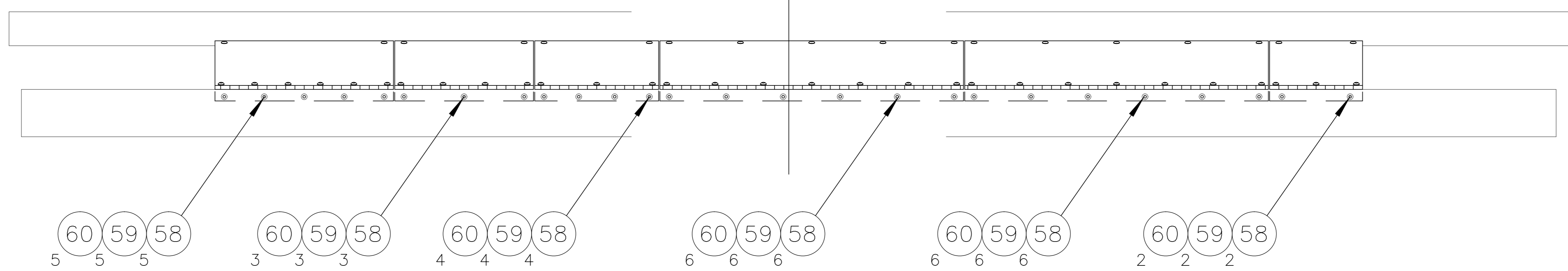
THIRD ANGLE PROJECTION  
 AUTOCAD DRAWING  
 NO MANUAL ALTERATIONS

Scale: 1:10 @ A0  
 NOTED: All Dimensions in mm unless otherwise stated.

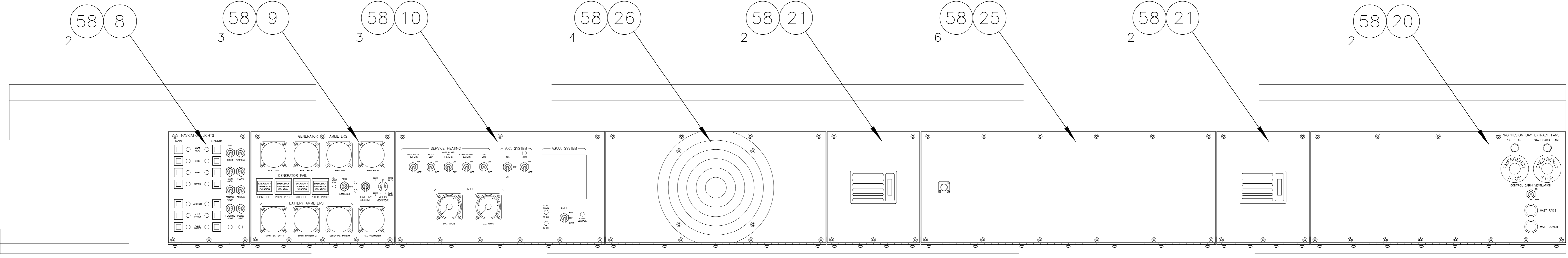
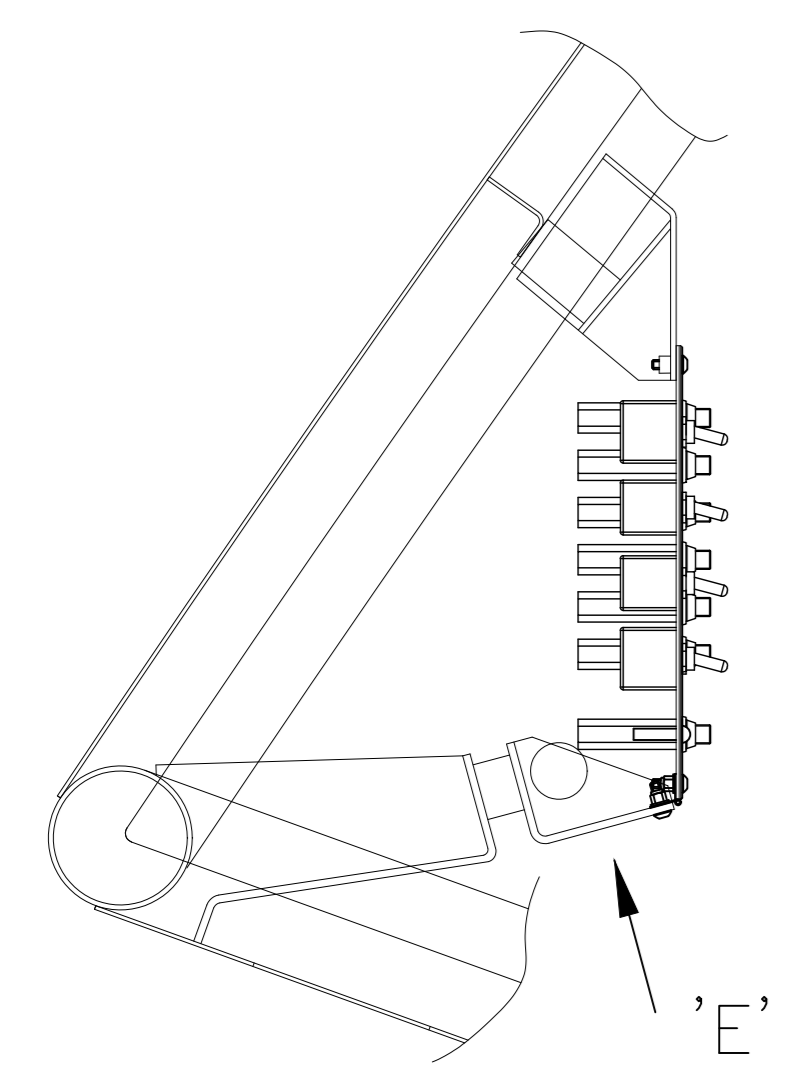
DRAWING No: HTWAP1-88-80-4060  
 SHEET 1 OF 5  
 OF 3



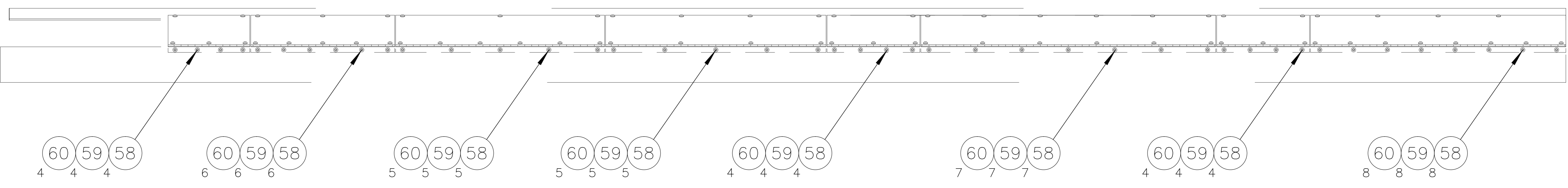
VIEW ON ARROW 'A'



VIEW ON ARROW 'D'



VIEW ON ARROW 'B'

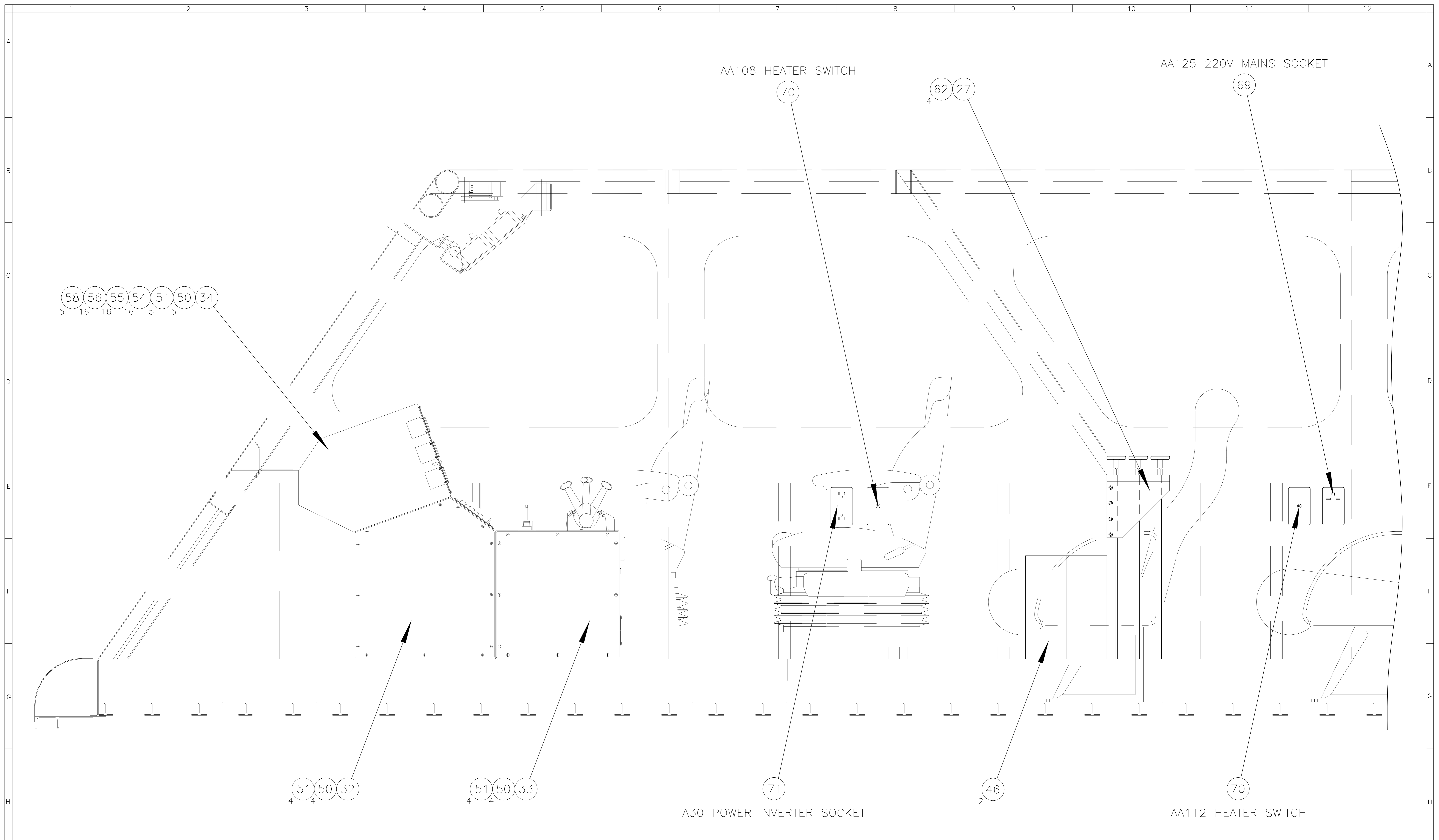


VIEW ON ARROW 'E'

CANADIAN COAST GUARD  
WAP1-88/400 CRAFT- #403

ISSUE SHEET	1	ISSUE DATE	22-01-99	HOVERWORK LIMITED ST. HELENS, ISLE OF WIGHT ENGLAND PO33 1YB	PROJ. NO. 1050	PROJ. TITLE	CONTROL CABIN ASSEMBLY
Drawn On:	City:	Drawn:	City:	THIRD ANGLE PROJECTION	Scale:	1:10 @ A0	NOTED
Used On:	City:	Used On:	City:	AUTOCAD DRAWING	Scale:	1:10 @ A0	NOTED
Used On:	City:	Used On:	City:	NO MANUAL ALTERATIONS	Scale:	1:10 @ A0	NOTED
Used On:	City:	Used On:	City:	ALL DIMENSIONS IN "MM" UNLESS OTHERWISE STATED.	Scale:	1:10 @ A0	NOTED
Used On:	City:	Used On:	City:	HTWAP1-88-80-4060	Scale:	1:10 @ A0	NOTED
Used On:	City:	Used On:	City:	2	Scale:	1:10 @ A0	NOTED
Used On:	City:	Used On:	City:	1	Scale:	1:10 @ A0	NOTED





SECTION 'G'-'G'

CANADIAN COAST GUARD  
WAP1-88/400 CRAFT- #403

1 2 3 4 5 6 7 8 9 10 11 12	A B C D E F G H J	ISSUE SHEET 2 DATE 22-01-09	HOVERWORK LIMITED ST. HELENS, ISLE OF WIGHT ENGLAND PO33 1YB TEL: (044) 1983 87222 FAX: (044) 1983 87228	DRAWING NO. CONTROL CABIN ASSEMBLY HTWAP1-88-80-4060	SHEETS PROFILES ANGLES 4050 HES 514 4050 F.F.	SCALE 1:10 NOTED	ALL DIMENSIONS IN "MM" UNLESS OTHERWISE STATED.
		THIS DRAWING IS THE PROPERTY OF HOVERWORK LIMITED AND MAY NOT BE COPIED OR USED FOR ANY PURPOSE OTHER THAN THAT FOR WHICH IT WAS SUPPLIED WITHOUT THE EXPRESS WRITTEN AUTHORITY OF HOVERWORK LIMITED	THIRD ANGLE PROJECTION AUTOCAD DRAWING NO MANUAL ALTERATIONS	DESIGNER R. BARTON	DRAWING NO. HTWAP1-88-80-4060	SHEET 4 OF 2	
		USED ON: _____ DATE: _____ USED ON: _____ DATE: _____	DESIGN R. BARTON	DRAWING NO. HTWAP1-88-80-4060	SHEET 4 OF 2		
		USED ON: _____ DATE: _____ USED ON: _____ DATE: _____	DESIGN R. BARTON	DRAWING NO. HTWAP1-88-80-4060	SHEET 4 OF 2		

