

Fisheries and Oceans
Canada

Pêches et Océans
Canada

**CONCRETE LAUNCHING RAMP
HAVRE BOUCHER WHARF
ANTIGONISH COUNTY
NOVA SCOTIA**

PROJECT NO. 723 083

Canada

NOTES

SURVEY PARTY CHIEF: D. GREEN
 SURVEY VESSEL: SCOTIA SURVEYOR
 SURVEY DATE(S): MARCH 20, 2018

SOUNDER TYPE: ROSS SWEEP SYSTEM
 SOUNDER SETTING: N/A VEL. OF SOUND N/A
 DEPTH GATE USED: N/A FRE. OF TRANS. 190 - 210 kHz

POSITIONING SYSTEM USED: TRIMBLE 5700
 LAND SURVEY POSITION BY: TRIMBLE 5700

RAW DATA FILE(S): HVB079MX.ZIP
 CAD DRAWING FILE(S): HVB079ADWG

TIDAL REDUCTION SCHEME:
 LRIS MON. 4023 ELEV. 10.73m ABOVE CD

OFFICE PROCESSOR: C. RICHARD
 DATE OF PROCESSING: MARCH 27, 2018

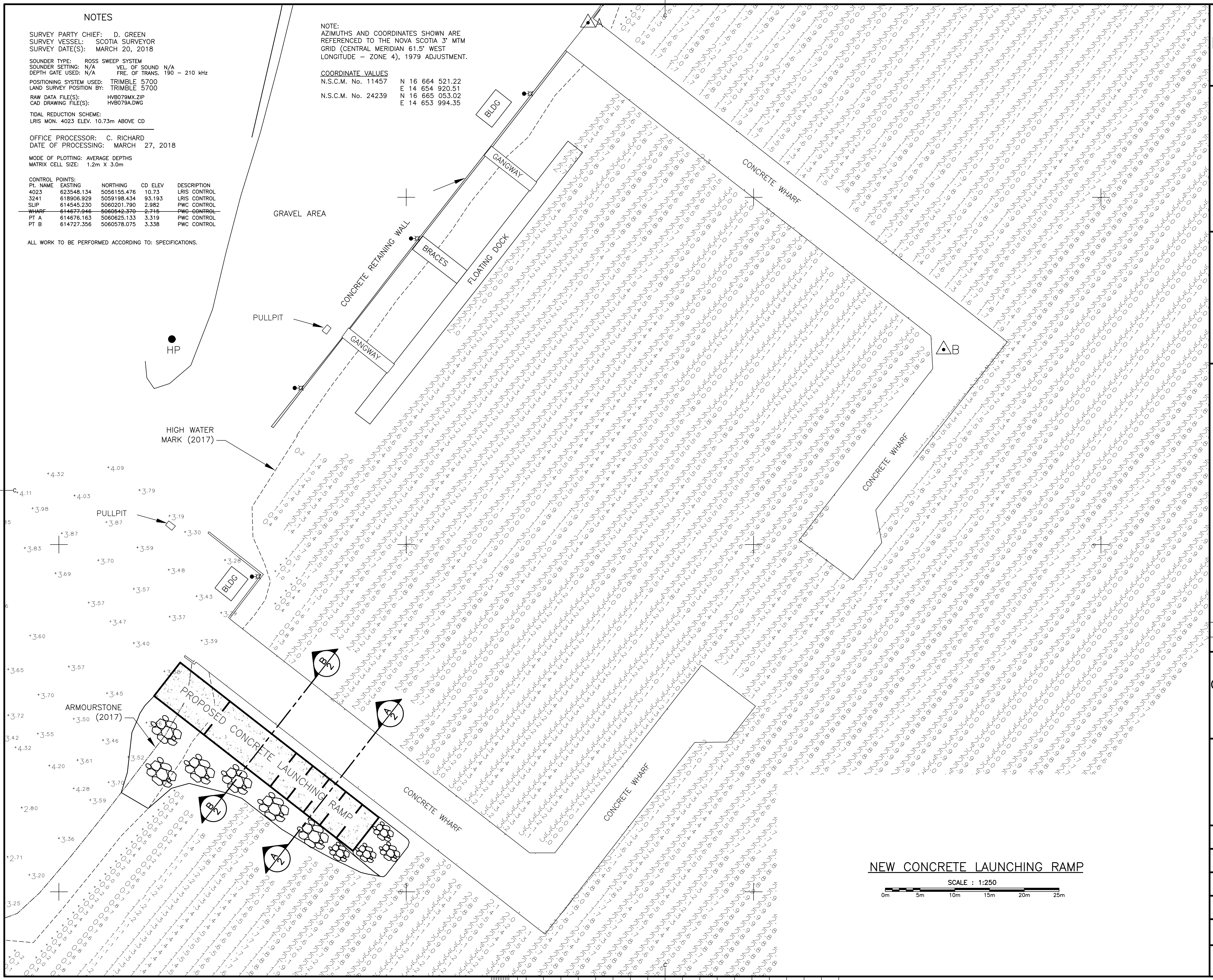
MODE OF PLOTTING: AVERAGE DEPTHS
 MATRIX CELL SIZE: 1.2m X 3.0m

CONTROL POINTS:	PL. NAME	EASTING	NORTHING	CD ELEV	DESCRIPTION
	4023	623548.134	5056155.476	10.73	LRIS CONTROL
	3241	618906.929	5059198.434	93.193	LRIS CONTROL
	SLIP	614545.230	5060201.790	2.982	PWC CONTROL
	WHARF	614677.946	5060542.370	2.715	PWC CONTROL
	PT A	614676.163	5060625.133	3.319	PWC CONTROL
	PT B	614727.356	5060578.075	3.338	PWC CONTROL

ALL WORK TO BE PERFORMED ACCORDING TO: SPECIFICATIONS.

NOTE:
 AZIMUTHS AND COORDINATES SHOWN ARE REFERENCED TO THE NOVA SCOTIA 3' MTM GRID (CENTRAL MERIDIAN 61.5' WEST LONGITUDE - ZONE 4), 1979 ADJUSTMENT.

COORDINATE VALUES	N.S.C.M. No.	N	E
	11457	N 16 664 521.22	E 14 654 920.51
	24239	N 16 665 053.02	E 14 653 994.35



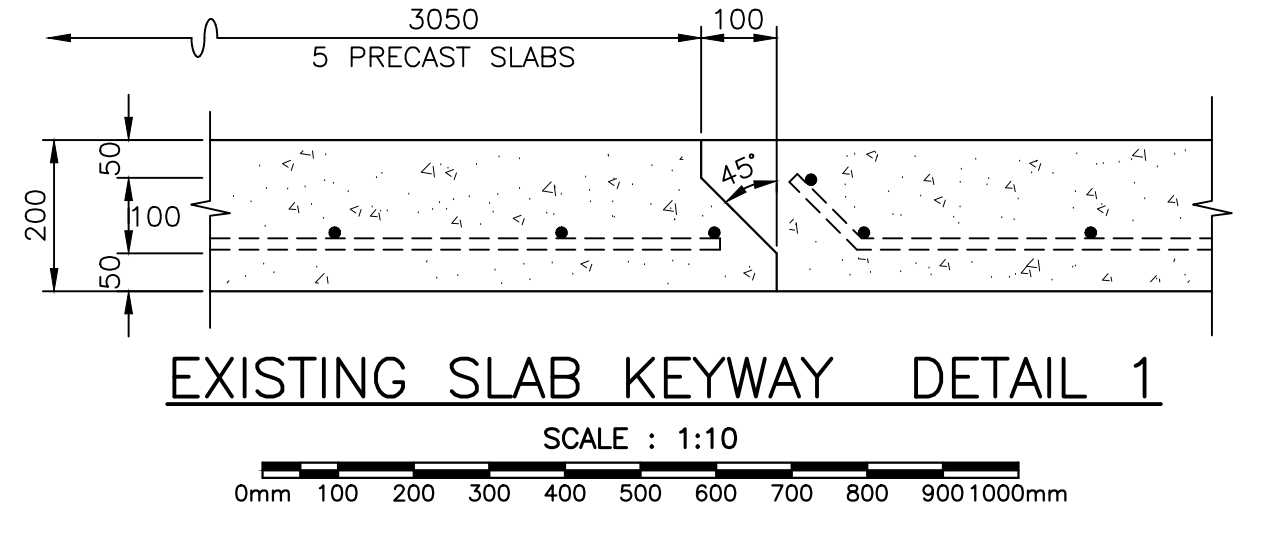
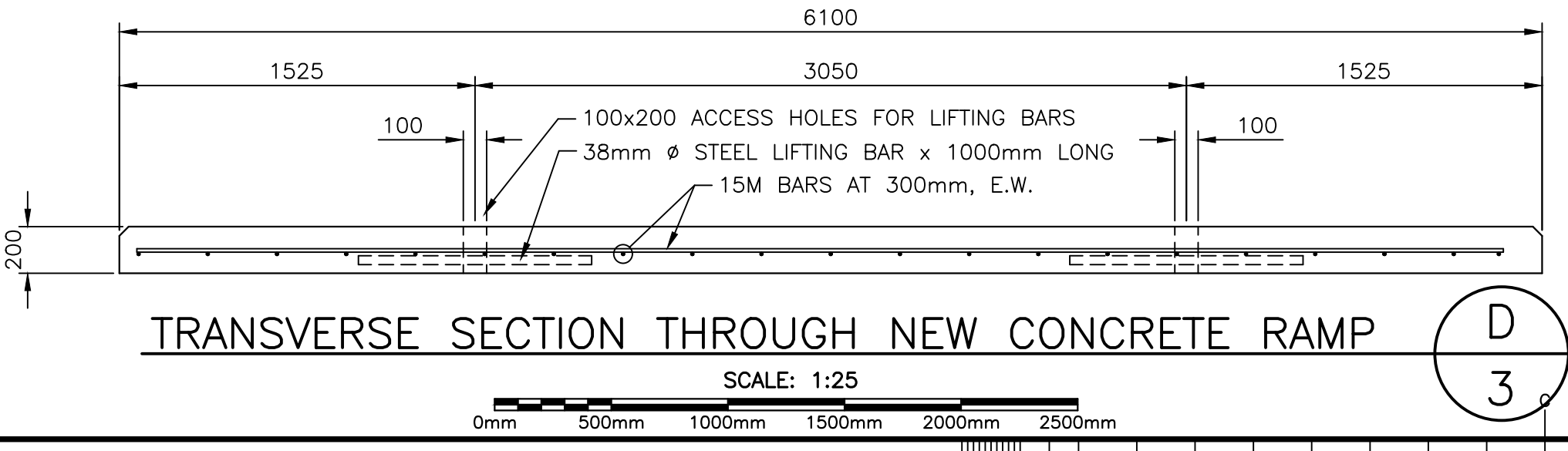
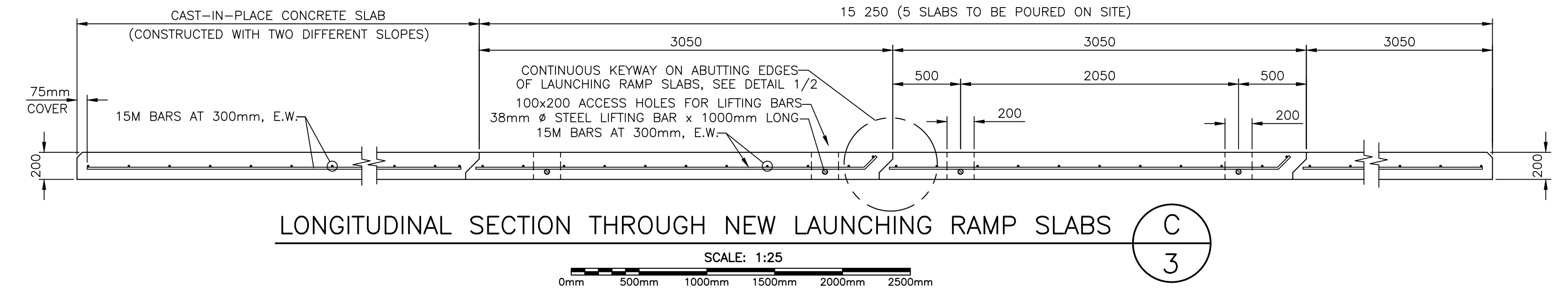
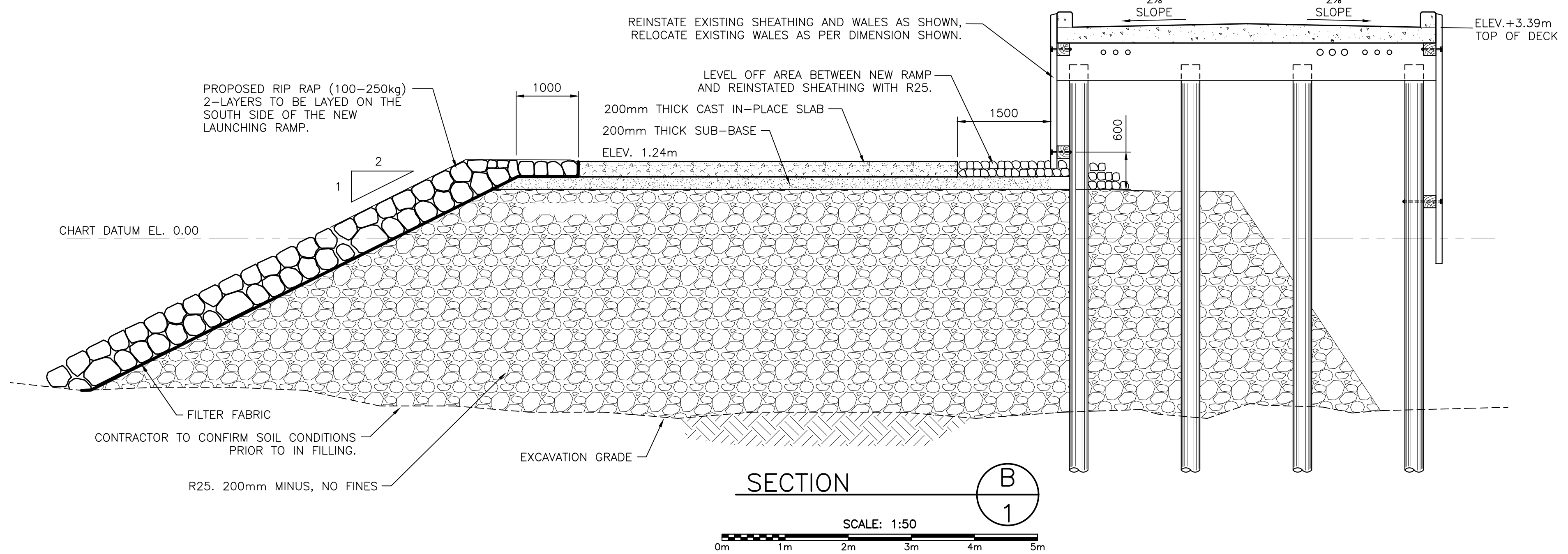
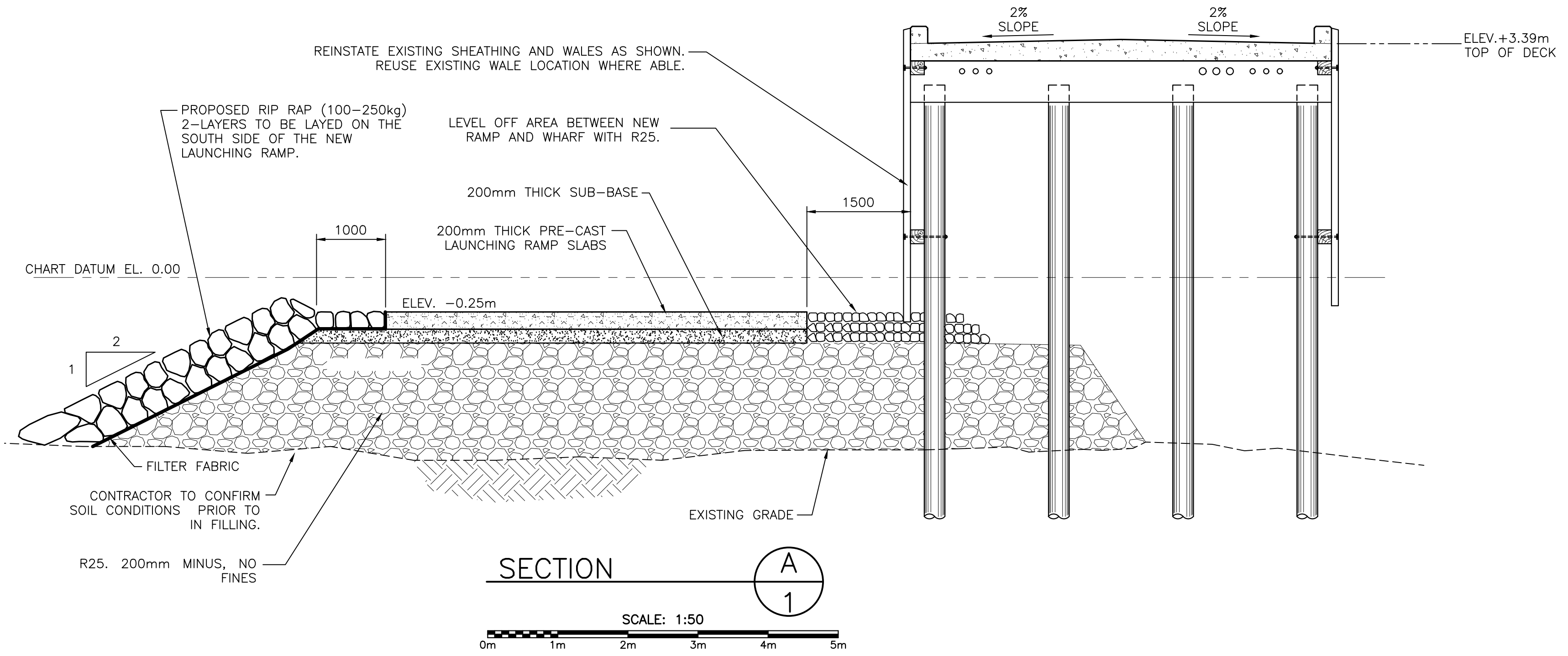
C01	ISSUED FOR TENDER	09/26 2019
revisions		date
project		projet

CONCRETE LAUNCHING RAMP
HAVRE BOUCHER WHARF
ANTIGONISH CO., NS

drawing / dessin

SITE PLAN AND NOTES

designed	SCH STAFF	conçu
date	AUGUST 8, 2019	
drawn	J.G.S.	dessiné
date	AUGUST 14, 2019	
approved	PMD	approuvé
date		
Tender	S.M.	Soumission
Project Manager	Administrateur de projets	
project number	723 083	no. du projet
drawing no.	1 OF 3	no. du dessin

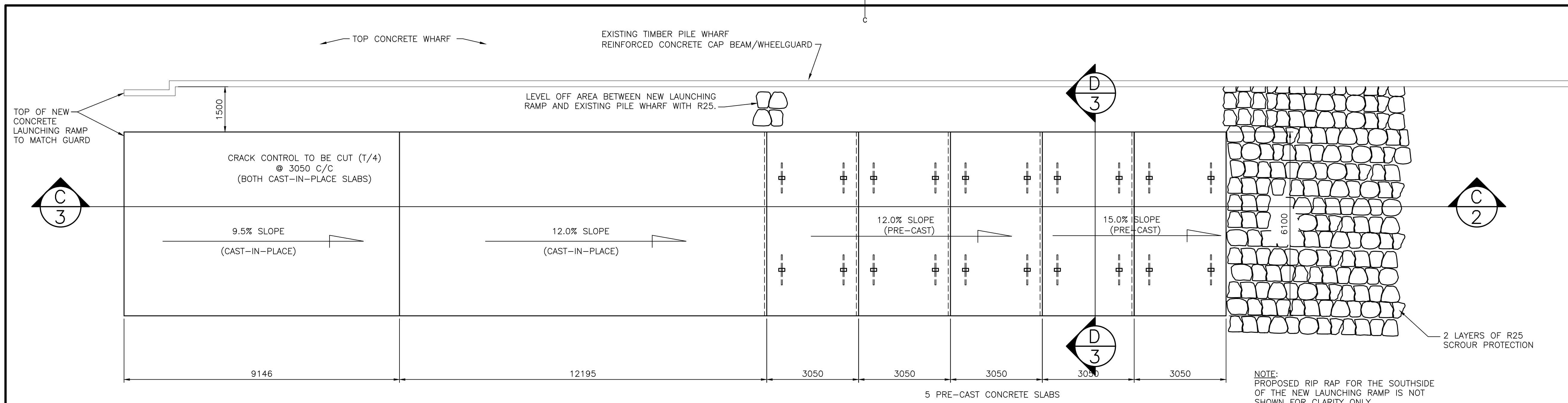


C01	ISSUED FOR TENDER	09/26 2019
revisions		date
project		projet

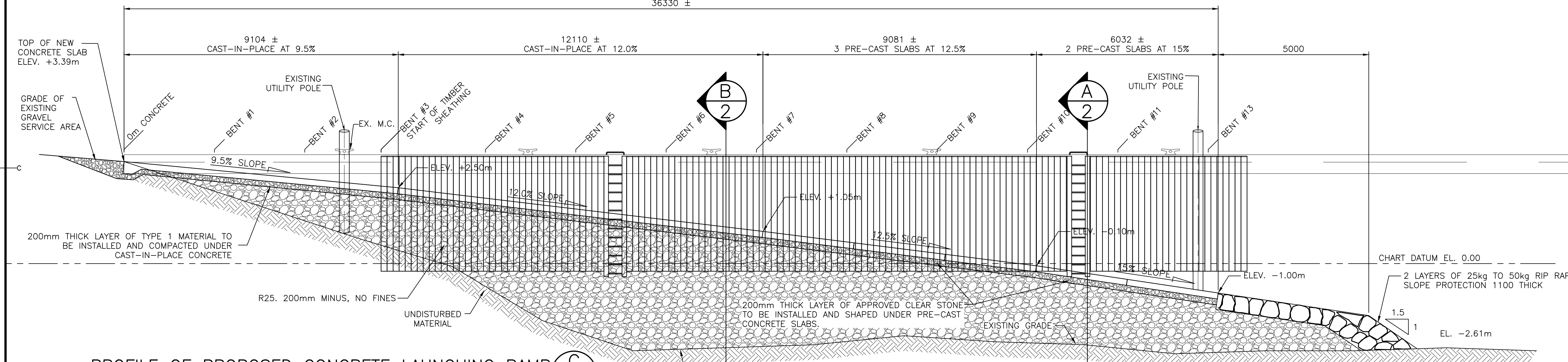
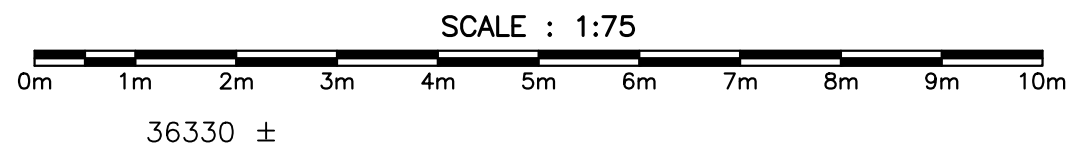
CONCRETE LAUNCHING RAMP
HAVRE BOUCHER WHARF
ANTIGONISH CO., NS

designed SCH STAFF conçu
 date AUGUST 8, 2019
 drawn J.G.S. dessiné
 date AUGUST 14, 2019
 approved PMD approuvé
 date
 Tender S.M. Soumission
 Project Manager Administrateur de projets
 project number no. du projet

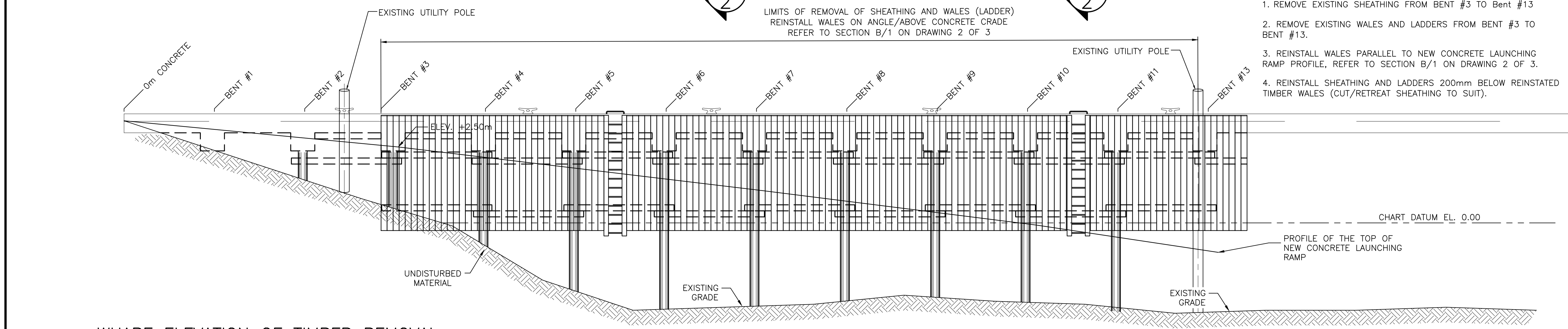
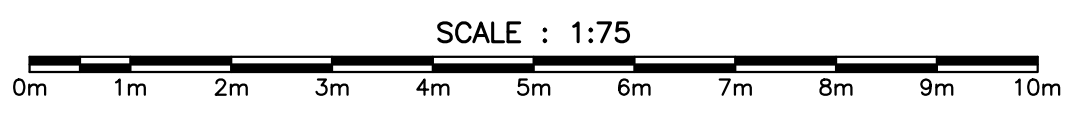
723 083
 drawing no. no. du dessin
2 OF 3



PLAN VIEW OF PROPOSED CONCRETE LAUNCHING RAMP



PROFILE OF PROPOSED CONCRETE LAUNCHING RAMP



WHARF ELEVATION OF TIMBER REMOVAL



- REMOVALS AND REINSTATEMENT
1. REMOVE EXISTING SHEATHING FROM BENT #3 TO BENT #13
 2. REMOVE EXISTING WALES AND LADDERS FROM BENT #3 TO BENT #13.
 3. REINSTALL WALES PARALLEL TO NEW CONCRETE LAUNCHING RAMP PROFILE, REFER TO SECTION B/1 ON DRAWING 2 OF 3.
 4. REINSTALL SHEATHING AND LADDERS 200mm BELOW REINSTATED TIMBER WALES (CUT/RETREAT SHEATHING TO SUIT).

LIMITS OF REMOVAL OF SHEATHING AND WALES (LADDER)
REINSTALL WALES ON ANGLE/ABOVE CONCRETE GRADE
REFER TO SECTION B/1 ON DRAWING 2 OF 3

C01	ISSUED FOR TENDER	09/26/2019
revisions		date
project		projet

CONCRETE LAUNCHING RAMP
HAVRE BOUCHER WHARF
ANTIGONISH CO., NS

designed	SCH STAFF	conçu
date	AUGUST 8, 2019	
drawn	J.G.S.	dessiné
date	AUGUST 14, 2019	
approved	PMD	approuvé
date		
Tender	S.M.	Soumission
Project Manager	Administrateur de projets	
project number	723 083	no. du projet
drawing no.	3 OF 3	no. du dessin