

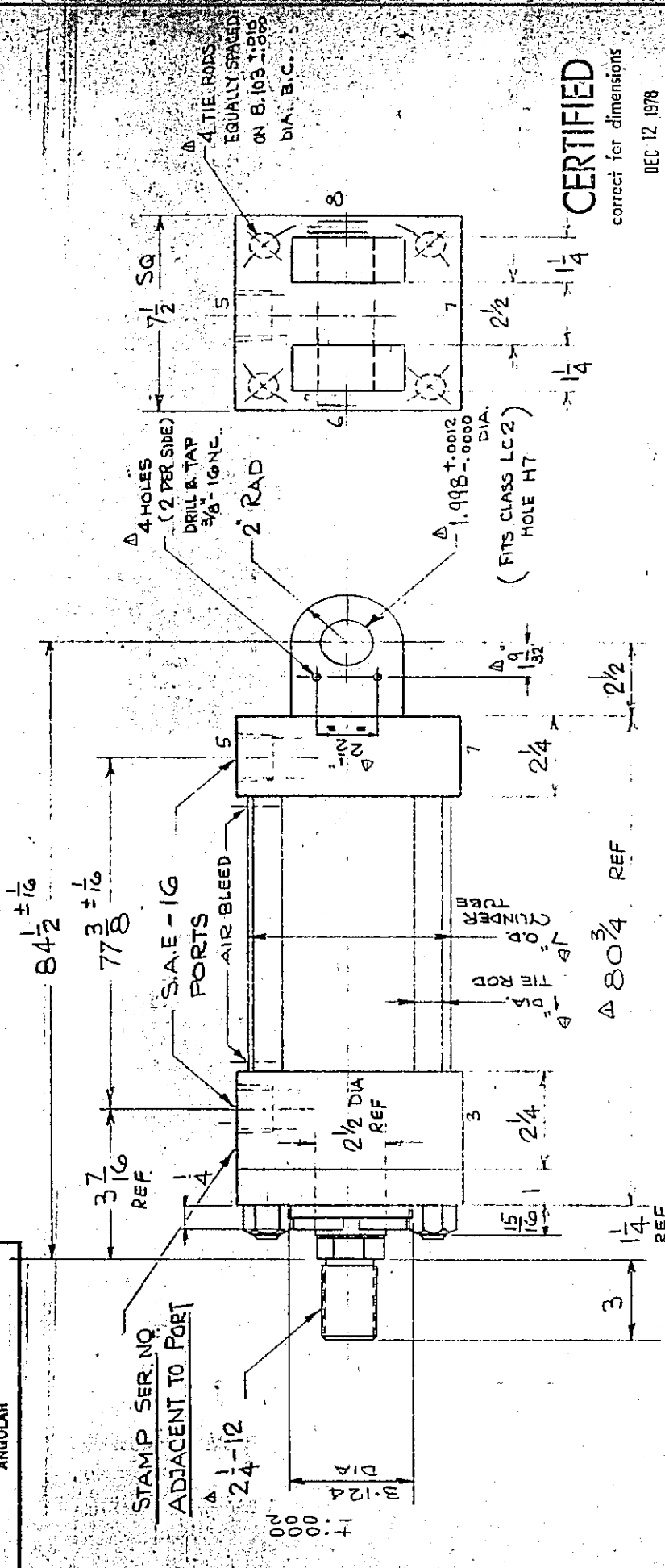
THIS DRAWING FURNISHED FOR ENGINEERING INFORMATION AND REFERENCE ONLY AND DOES NOT CONVEY ANY REPRODUCTION OR MANUFACTURING RIGHTS

**NOTE: 1. DO NOT SCALE THIS PRINT**  
 2. BREAK SHARP CORNERS  
 3. TOLERANCE ON DIMENSIONS NOT OTHERWISE SPECIFIED

DECIMAL  
 FRACTIONAL  $\pm \frac{1}{32}$   
 ANGULAR

ISSUE	DATE	DESCRIPTION	NAME
1	JULY 17 1977	CERTIFIED FOR MANUFACTURE	A.G.
3	7 APR 78	AS BUILT	

NOTE:-



CUSTOMER - JOHN-T-HEPBURN (4915-9-G179) V.F.P.L. NO. - 26575  
 MODEL NO. - 6-2THG72<sup>3</sup>/<sub>8</sub>CC AKY BORE: - 6 STROKE: 72<sup>3</sup>/<sub>8</sub> GROSS, 70<sup>1</sup>/<sub>2</sub> EFFECTIVE  
 PRESSURE: - 2500 PSI TEMP: 200°F MAX MEDIUM HYDRAULIC - OIL  
 PORTS: - 1&5 ADD. S.C.R. 2&6 BALL CHECK 4&8  
 AIR BLEED: - 1&5  
 ROD: - STAINLESS STL CHROME RATED  
 7<sup>1</sup>/<sub>8</sub> LONG STOP TUBE

ISSUE	DATE	DESCRIPTION
1	MAY 24 1977	MODIFIED EARS. ADDED DIMENSIONS FOR ROD & TUBE

DATE	31 MAY 1977	DRWG. NO.	S-4411
SCALE	N.T.S.	NAME	
VICEROY CYLINDER		VICEROY FLUID POWER LIMITED	
2TH SERIES		REXDALE • ONTARIO • CANADA	
6" BORE			
DESIGNED BY A.G.			