

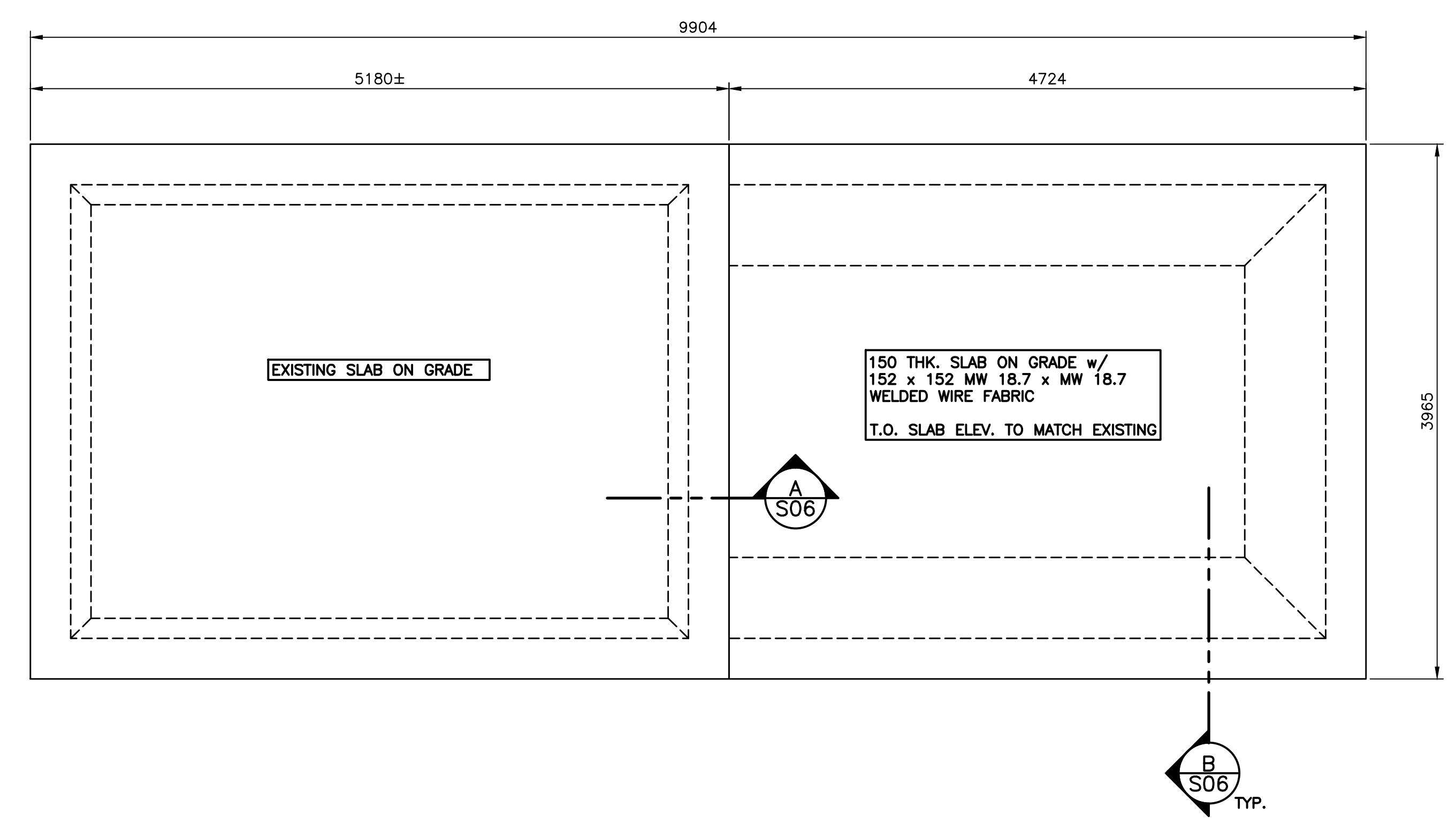
THE ASSOCIATION OF PROFESSIONAL ENGINEERS OF THE PROVINCE OF PRINCE EDWARD ISLAND
Valid for the Year 2019
S. L. MYATT
No. 1287
DATE: NOV.21/2019
LICENSED PROFESSIONAL ENGINEER
Province of Prince Edward Island

1	ISSUED FOR ADDENDUM #1	11/21/2019
revisions		date

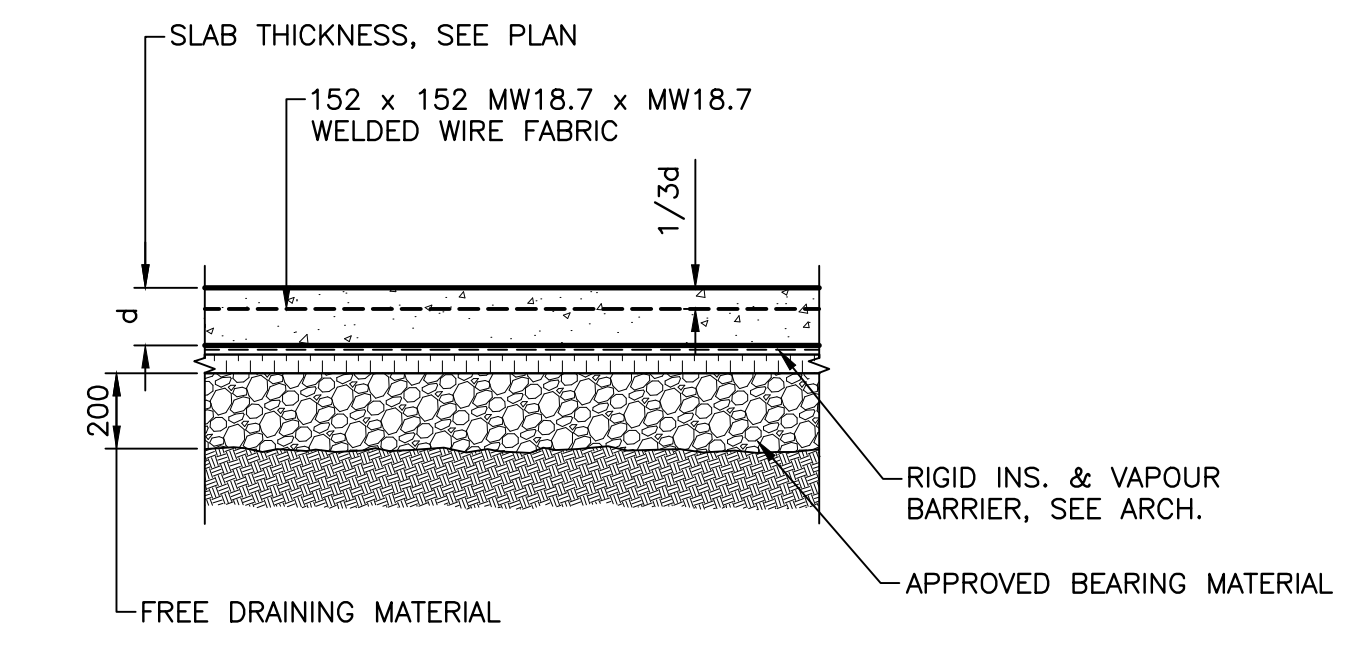
GREEN GABLES-PHASE 4
CISTERN AND SITE WORK
QUEENS CO., PEI

STRUCTURAL
GENERATOR BUILDING
SLAB ON GRADE
EXTENSION

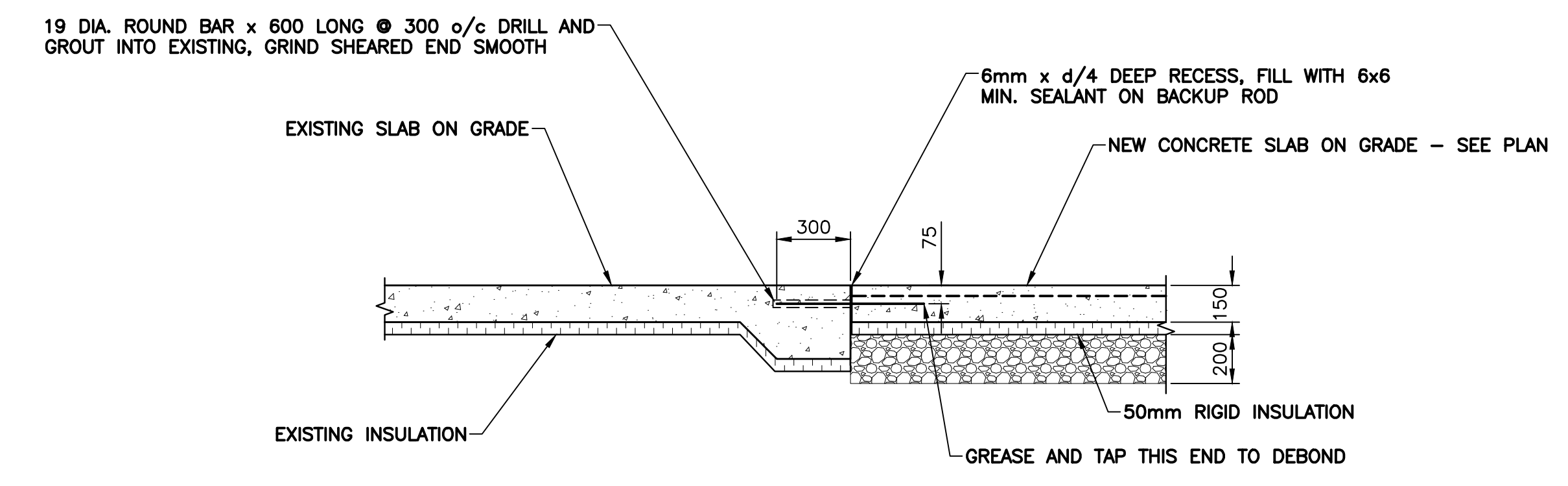
designed	SLJM	conçu
date	OCT-2019	
drawn	SLO	dessiné
date	OCT-2019	
approved		approuvé
date		
Tender		Soumission
PWSC Project Manager	Administrateur de projets TPSCG	
project number	no. du projet	
	R.081199.001	
drawing no.	no. du dessin	
	S06 OF 6	



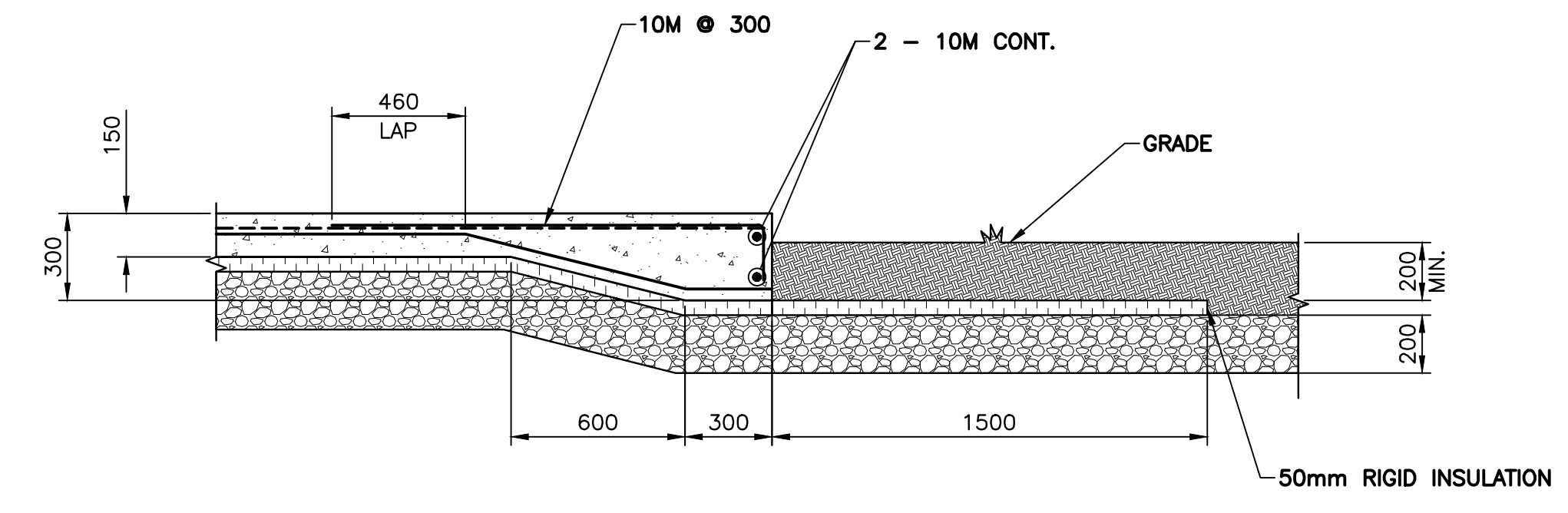
PLAN- SLAB ON GRADE EXTENSION
SCALE : 1:30
0mm 500mm 1000mm 1500mm 2000mm 2500mm 3000mm



1 DETAIL -- TYPICAL SLAB ON GRADE
SCALE : 1:20
0mm 500mm 1000mm 1500mm 2000mm 2500mm



A SECTION- EXISTING TO NEW SLAB ON GRADE
SCALE : 1:20
0mm 500mm 1000mm 1500mm 2000mm 2500mm



B SECTION- NEW SLAB ON GRADE
SCALE : 1:20
0mm 500mm 1000mm 1500mm 2000mm 2500mm