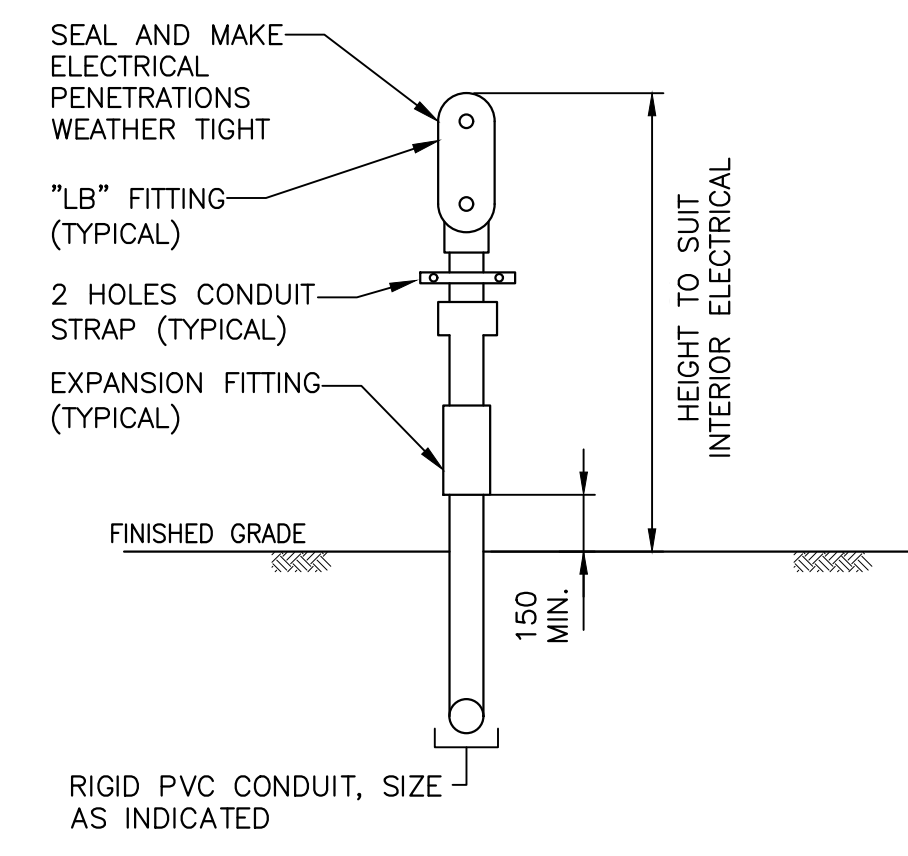


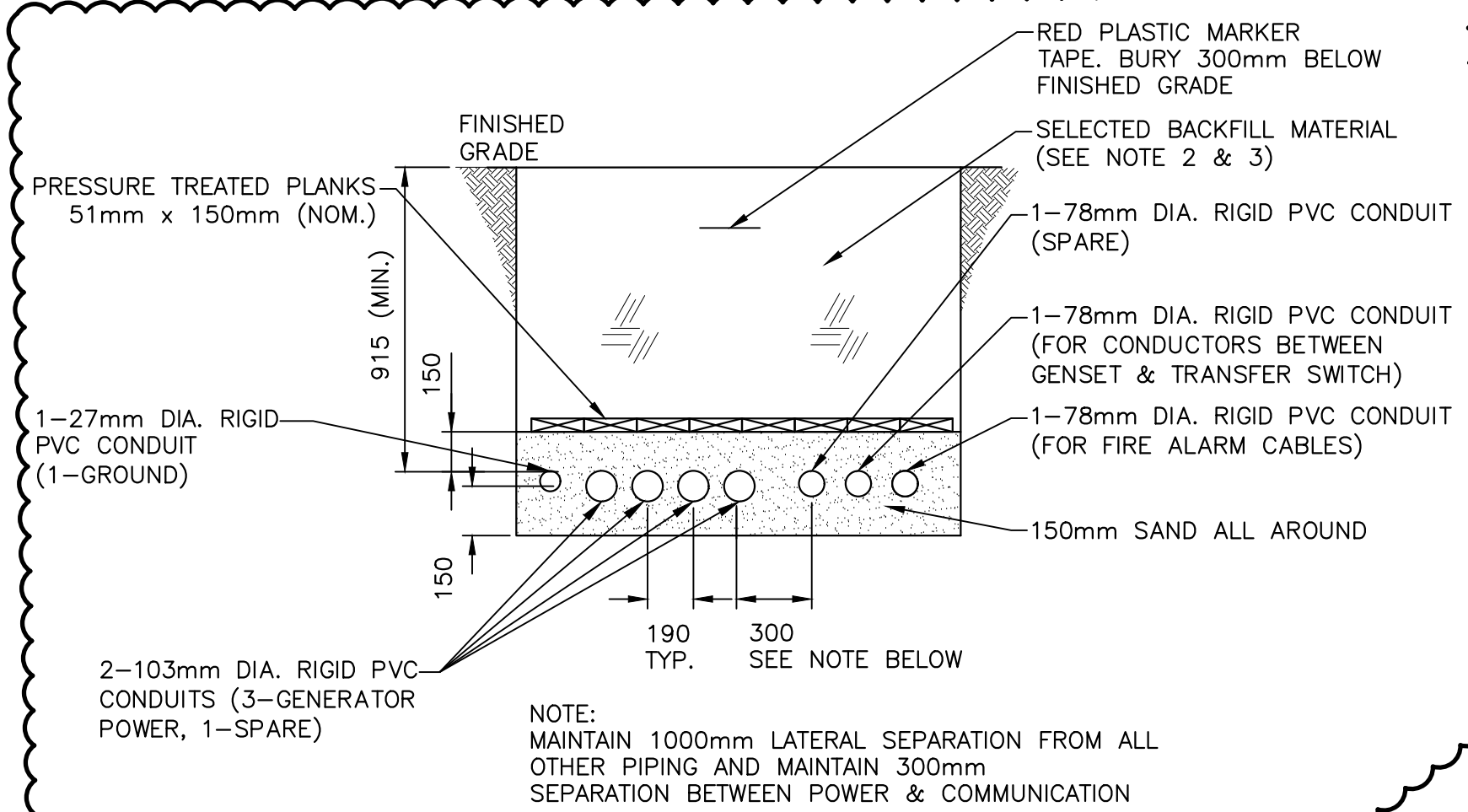
PHASE 4 SITE PLAN 1
SCALE : 1:200

- LEGEND:**
- W — EXISTING WATER LINE
 - SAN — EXISTING SEWER LINE
 - SW — EXISTING SEWER LINE
 - - - EXISTING ELECTRICAL UNDERGROUND CONDUIT
 - — — EXISTING TELECOMMUNICATIONS
 - — — NEW ELECTRICAL UNDERGROUND CONDUIT
 - CONDUIT STUB UP
- NOTES:**

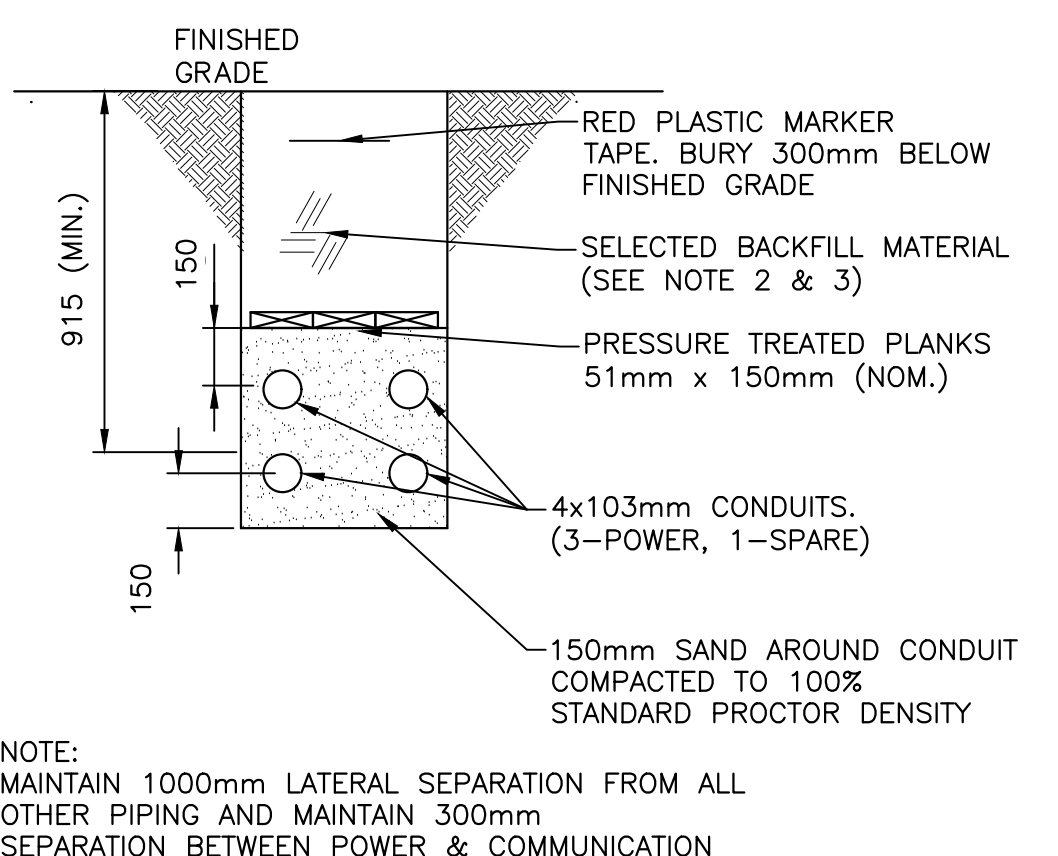
1. CONTRACTOR IS RESPONSIBLE TO TEST DIG AND CONFIRM LOCATIONS OF EXISTING BURIED SERVICES AS REQUIRED TO COMPLETE THE WORK INCLUDED IN THIS CONTRACT. CONDUCT UNDERGROUND SERVICES LOCATION SURVEY AND PROVIDE RESULTS FOR REVIEW.
2. BACKFILLING OF TRENCH TO BE IN LAYERS NOT EXCEEDING 300MM (MECHANICALLY TAMPED).
3. BACKFILL TRENCH WITH NATIVE BACKFILL MATERIAL, NO PARTICLE TO BE LARGER THAN 50mm IN DIAMETER.
4. ALL DIMENSIONS SHOWN IN MILLIMETERS
5. CONDUITS TO ENTER BUILDING AS HIGH AS POSSIBLE ON BASEMENT LEVEL AND AT MINIMUM BURIAL DEPTH INDICATED.
6. CONDUIT TO ENTER BUILDING AS HIGH AS POSSIBLE IN CRAWL SPACE ON BASEMENT LEVEL AND AT THE MINIMUM BURIAL DEPTH INDICATED.
7. CONDUITS TO RUN FROM GRANARY BASEMENT COMMS/ELECTRICAL ROOM TO THE CRAWL SPACE ON THE BASEMENT LEVEL OF THE BARN.
8. CONFIRM CONDUIT BUILDING ENTRY AND STUB-UP LOCATIONS ON SITE WITH ENGINEER PRIOR TO INSTALLATION.



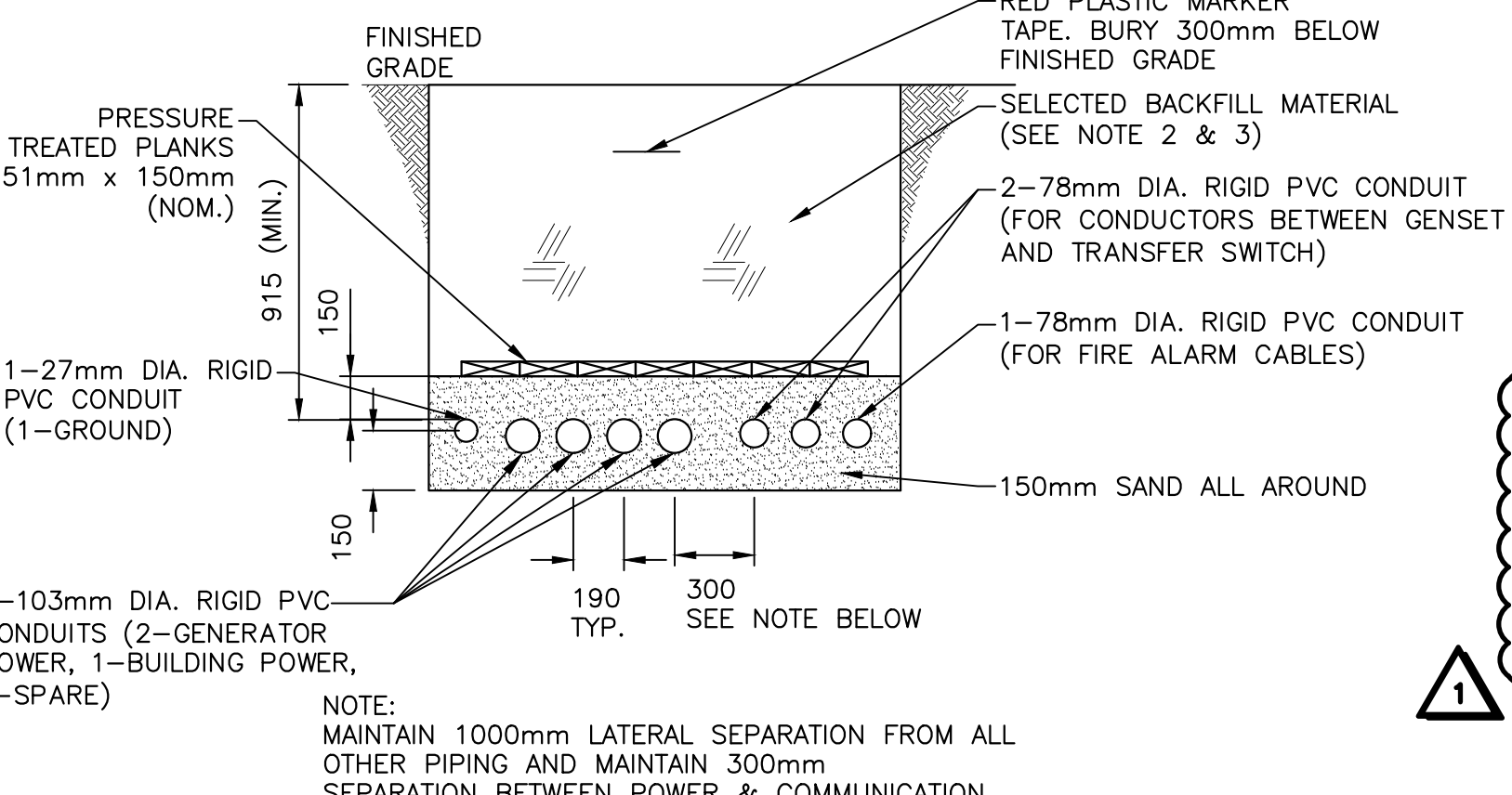
DETAIL - TYPICAL CONDUIT ENTRY 1
SCALE : N.T.S.



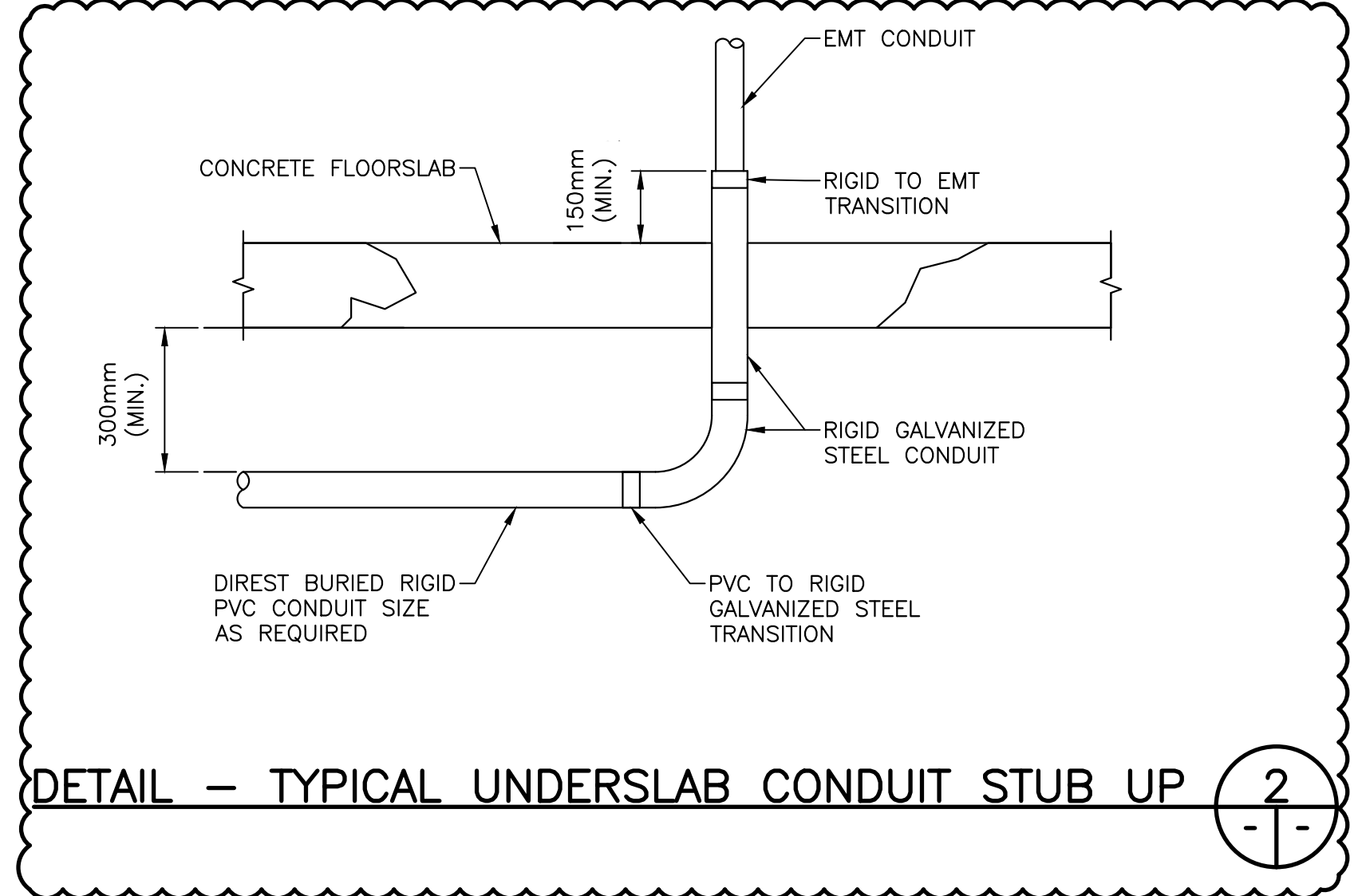
SECTION - GENERATOR TRENCH A
SCALE : N.T.S.



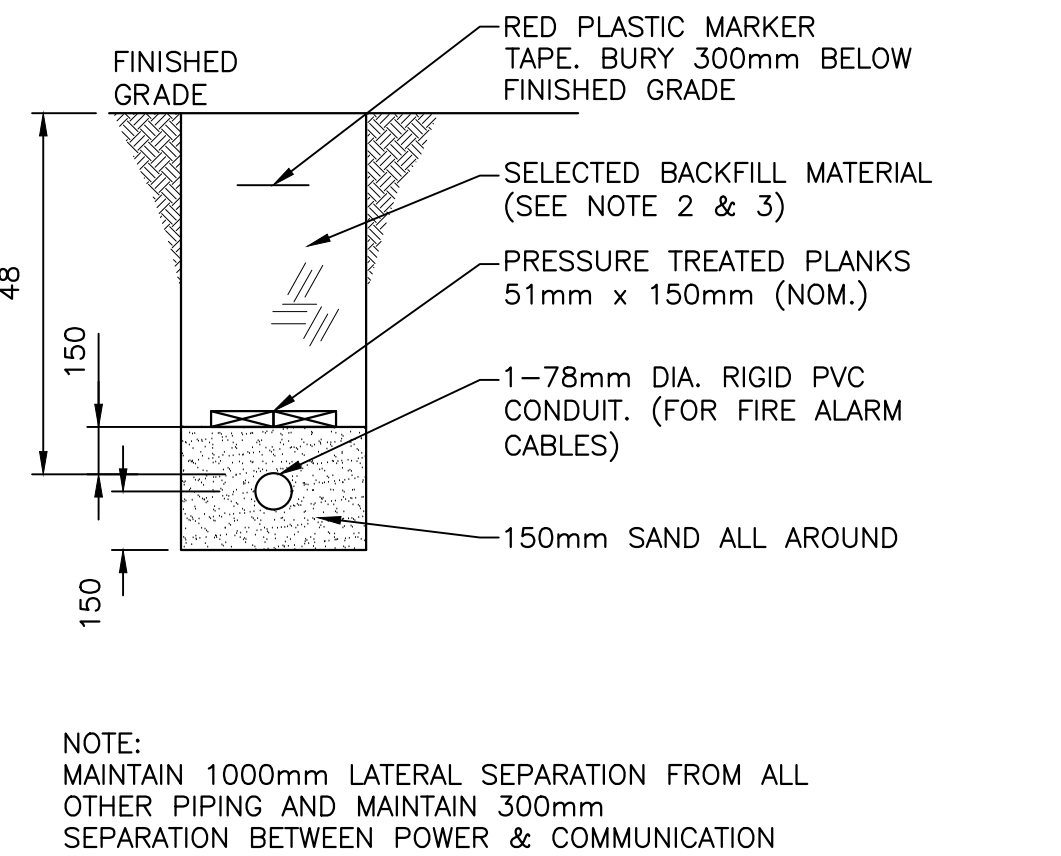
SECTION - ELECTRICAL TRENCH B
SCALE : N.T.S.



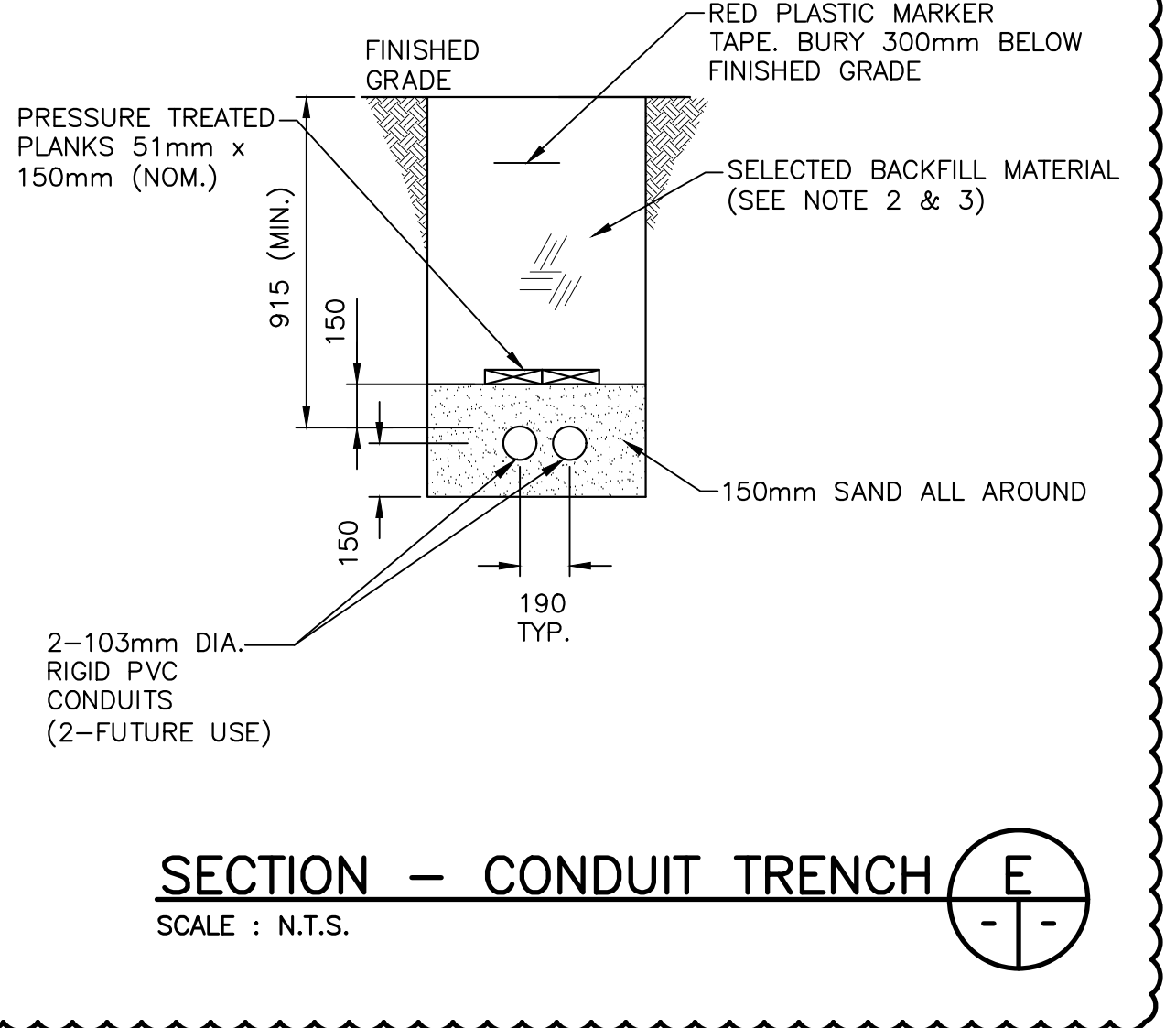
SECTION - GENERATOR TRENCH C
SCALE : N.T.S.



DETAIL - TYPICAL UNDERSLAB CONDUIT STUB UP 2
SCALE : N.T.S.



SECTION - FIRE ALARM TRENCH D
SCALE : N.T.S.



SECTION - CONDUIT TRENCH E
SCALE : N.T.S.

1	ISSUED FOR ADDENDUM #2	11.26 2019
0	ISSUED FOR TENDER	10.31 2019
revisions		date
project		project

GREEN GABLES-PHASE 4 CISTERN AND SITE WORK QUEENS CO., PEI

ELECTRICAL SITE PLAN

designed	TGC	conçu
date	OCT-2019	
drawn	JCM	dessiné
date	OCT-2019	
approved		approuvé
date		
Tender		Soumission
PWSC Project Manager	Administrateur de projets TPSGC	
project number		no. du projet
	R.081199.001	
drawing no.		no. du dessin
	E01	

