

NOTE: 1. DO NOT SCALE THIS PRINT

- 2. BREAK SHARP CORNERS
- 3. TOLERANCE ON DIMENSIONS NOT OTHERWISE SPECIFIED

DECIMAL
FRACTIONAL $\pm \frac{1}{32}$
ANGULAR

THIS DRAWING FURNISHED FOR ENGINEERING INFORMATION AND REFERENCE ONLY AND DOES NOT CONSTITUTE ANY REPRESENTATION OR WARRANTY BY THE DRAWING OFFICE

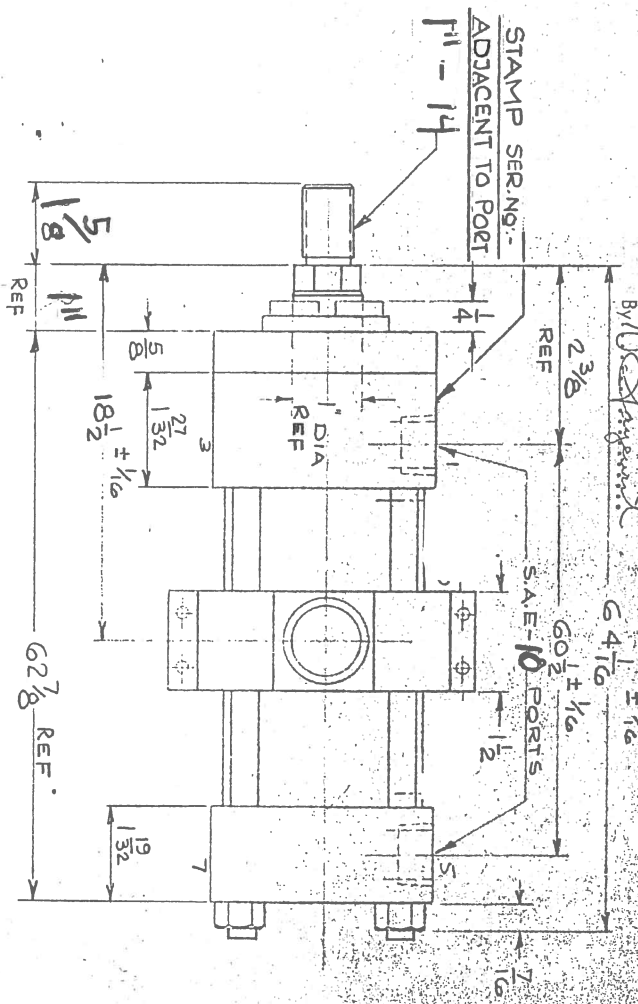
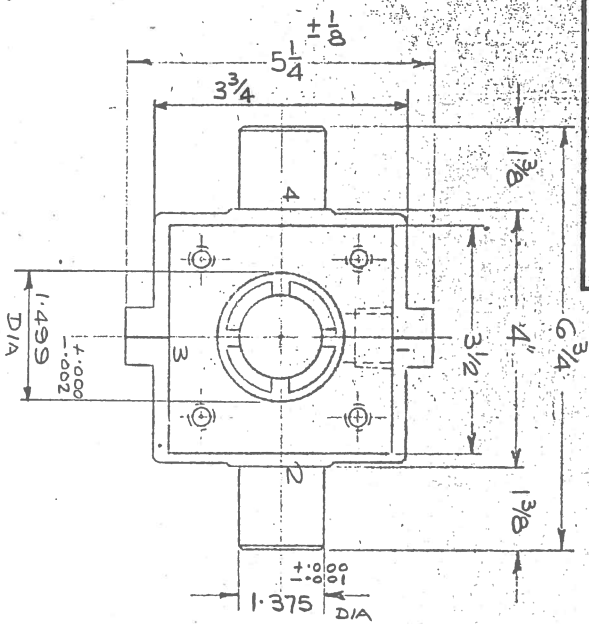
CERTIFIED

correct for dimensions

DEC 12 1978

Victory Fluid Power Ltd.
By *[Signature]*

NOTE: CHEVRON PISTON PACKING



CUSTOMER: _____
 MODEL NO: 2 1/2 2TH EST 1/2 CC AKY BORE: 2 1/2 STROKE: 5 1/2 ROD: 1 3/4
 PRESSURE: 2500 PSI TEMP: 200°F MAX MEDIUM: HYD-OIL
 PORTS: 1 & 5 ADJUSTING SCR 3&7 BALL CHECK 3&7
 ROD: STAINLESS STL CHROME-PLATED

2	TAPER	AS BUILT	DESCRIPTION	A.G.	DATE	SCALE
1	DATE	CERTIFIED FOR MANUFACTURE	MANUFACTURE	NAME	DATE	SCALE
2	DATE	CERTIFIED FOR MANUFACTURE	MANUFACTURE	NAME	DATE	SCALE

V.F.P.L. NO.: 26575 CUST. NO.: 4915-9-G1129

DEC 12 1978

"DOUBLE SLING"
 VICTORY CYLINDER
 2TH SERIES
 2 1/2 BORE
 DR. BY A.G. CHD BY [Signature]
 VICTORY FLUID POWER LIMITED
 RENDALE ONTARIO CANADA
 DATE 3 MAY 1977 DWG. NO. S-4410
 SCALE N.T.S.