



National Defence

Défense nationale

National Defence Headquarters
Ottawa, Ontario
K1A 0K2

Quartier général de la Défense nationale
Ottawa (Ontario)
K1A 0K2

REQUEST FOR PROPOSAL DEMANDE DE PROPOSITION

RETURN BIDS TO: RETOURNER LES SOUMISSIONS À :

Bid Receiving – PWGSC / Réception des
soumissions - TPSGC
11 Laurier St. / 11 rue Laurier
Place du Portage, Phase III
Core 0B2 / Noyau 0B2
Gatineau
Québec
K1A 0S5

Facsimile : 819-997-9776

Proposal To: National Defence Canada

We hereby offer to sell to Her Majesty the Queen in right of Canada, in accordance with the terms and conditions set out herein, referred to herein or attached hereto, the goods and services listed herein and on any attached sheets at the price(s) set out therefore.

Proposition à : Défense nationale Canada

Nous offrons par la présente de vendre à Sa Majesté la Reine du chef du Canada, aux conditions énoncées ou incluses par référence dans la présente et aux annexes ci-jointes, les biens et services énumérés ici et sur toute feuille ci-annexée, au(x) prix indiqué(s).

Title/Titre: GASKET / JOINT	Solicitation No – N° de l’invitation W8482-207267/A Amendment #3, 24/01/2020
Date of Solicitation – Date de l’invitation 07/11/2019	
Address Enquiries to – Adresser toutes questions à Sonja McFadyen Sonja.McFadyen2@forces.gc.ca A/D Mar P 4-3-4	
Telephone No. – N° de téléphone	FAX No – N° de fax
Destination Specified Herein / Précisé dans le présentes	

Instructions:

Municipal taxes are not applicable. Unless otherwise specified herein all prices quoted must include all applicable Canadian customs duties, GST/HST, excise taxes and are to be delivered Delivery Duty Paid including all delivery charges to destination(s) as indicated. The amount of the Goods and Services Tax/Harmonized Sales Tax is to be shown as a separate item.

Instructions: Les taxes municipales ne s'appliquent pas. Sauf indication contraire, les prix indiqués doivent comprendre les droits de douane canadiens, la TPS/TVH et la taxe d'accise. Les biens doivent être livrés « rendu droits acquittés », tous frais de livraison compris, à la ou aux destinations indiquées. Le montant de la taxe sur les produits et services/taxe de vente harmonisée doit être indiqué séparément.

Solicitation Closes – L’invitation prend fin At – à : 1400 hours / heures EST On - le : 14/02/2020

Delivery required - Livraison exigée	Delivery offered - Livraison proposée
Vendor Name and Address - Raison sociale et adresse du fournisseur	
Name and title of person authorized to sign on behalf of vendor (type or print) - Nom et titre de la personne autorisée à signer au nom du fournisseur (caractère d'imprimerie)	
Name/Nom _____	Title/Titre _____
Signature _____	Date _____

Amendment #003 is raised to answer bidder's questions and change the solicitation closing date:

Question #8:

With respect to section A-A on drawing 8458990-1 there is a dimension of 1.281 + 0.030"/- 0" which is shown as a diameter. This dimension is larger than the width (2.125") of the flange. Also we have no idea what this feature is supposed to be. Please clarify and if necessary provide a picture of this feature showing the 1.281" diameter.

Answer #8:

Don't be too concerned with the details on this drawing. All we need are those 3 holes on the gasket to let the 3 "tapered guide pin" thru. Those 3 guide pins are inserted into nylon bushings on the dome flange (section A-A shows the bushing hole) during fabrication. See attachment sketch. Comment above regarding diameters is unclear. How can a 1-9/32" chamfer diameter be more than 2-1/4" flange width?

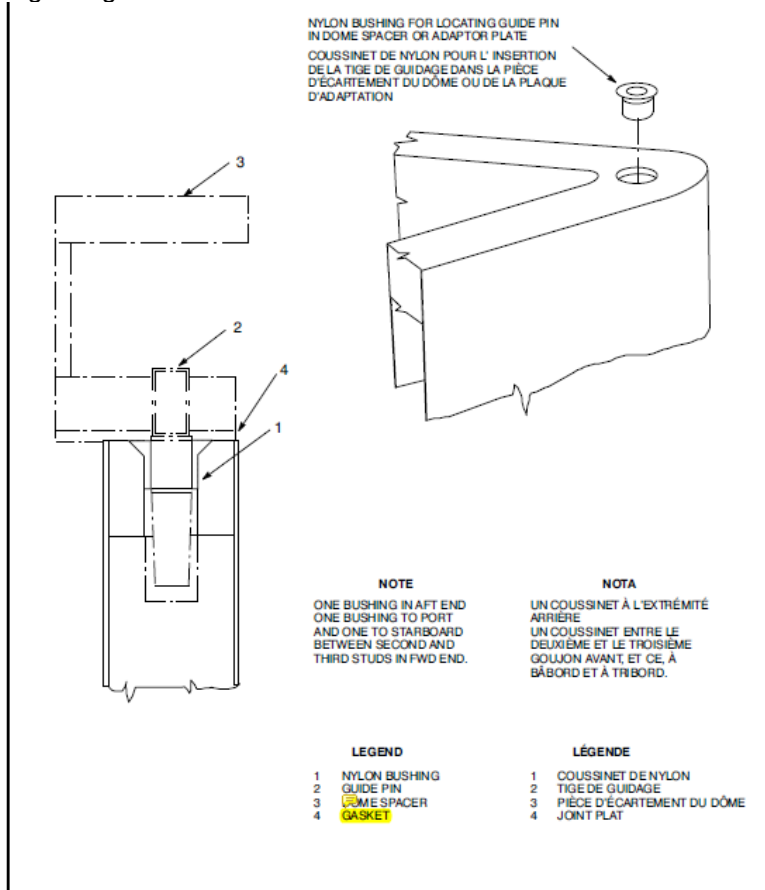


Figure 2-2 Guide Pin Hole Detail
Figure 2-2 Dessin de détail de trou de tige de guidage

Question #9:

It was identified in amendment 2 that the gasket is NOT bonded to the flange which is no issue as the gasket will be supplied loose with the flange. For handling would it not be better (and to avoid damage and/or separation to the joints) to have the gasket supplied in the 4 sections as identified on drawing 552333-1 and bond it in sections during DND's assembly process?

Answer #9:

No, we have in the past received those gaskets in one piece. There is no "assembly process". The gasket is pulled out within the crate with other hardware and fitted on the spot at the ship. Joint separation has never been a real issue in the past. Properly bonded, the adhesive is very tenuous. The flange is part of the dome structure.

Question #10:

The drawing 552333-1 shows the rubber sealing bead (drawing item 2) bonded to the Fabreeka gasket (drawing item 1). Do we ship the rubber sealing bead loose as well so it can be bonded on the Fabreeka gasket during DND's assembly process?

Answer #10:

No, the bead must be bonded on the gasket when received.

Question #11:

Please confirm the solicitation is for a quantity of 97 gaskets, drawing 552333 and that we do not need to manufacture the dome flange 8458990.

Answer #11:

Correct drawing 552333, Rev H is the latest. And also affirmative that the dome flange is not to be manufactured. This is included ONLY for the dimensions/offsets.

On page 1 of the Request for Proposal:

DELETE:

Solicitation closes at 14:00 EST on 30/01/2020

INSERT:

Solicitation closes at 14:00 EST on 14/02/2020

ALL OTHER TERMS AND CONDITIONS REMAIN THE SAME