



National Defence

Défense nationale

National Defence Headquarters  
Ottawa, Ontario  
K1A 0K2

Quartier général de la Défense nationale  
Ottawa (Ontario)  
K1A 0K2

## REQUEST FOR PROPOSAL DEMANDE DE PROPOSITION

### RETURN BIDS TO: RETOURNER LES SOUMISSIONS À :

Bid Receiving – PWGSC / Réception des  
soumissions - TPSGC  
11 Laurier St. / 11 rue Laurier  
Place du Portage, Phase III  
Core 0B2 / Noyau 0B2  
Gatineau  
Québec  
K1A 0S5  
Fax : 819-997-9776

#### Proposal To: National Defence Canada

We hereby offer to sell to Her Majesty the Queen in right of Canada, in accordance with the terms and conditions set out herein, referred to herein or attached hereto, the goods and services listed herein and on any attached sheets at the price(s) set out therefore.

#### Proposition à : Défense nationale Canada

Nous offrons par la présente de vendre à Sa Majesté la Reine du chef du Canada, aux conditions énoncées ou incluses par référence dans la présente et aux annexes ci-jointes, les biens et services énumérés ici et sur toute feuille ci-annexée, au(x) prix indiqué(s).

<b>Title/Titre</b> PARTS KIT AND ROTARY PUMP/ RECHANGES ET POMPE ROTATIVE		<b>Solicitation No – N° de l’invitation</b> W8482-205888/A Amendment/Amendement 001 <b>Date of Amendment – Date de l’invitation</b> 03/02/2019
<b>Date of Solicitation – Date de l’invitation</b> January/janvier 23, 2019		
<b>Address Enquiries to – Adresser toutes questions</b> Jennifer Sorensen Materia Acquisition and Support Officer D Mar P 4-3-2-3 jennifer.sorensen@forces.gc.ca		
<b>Telephone No. – N° de téléphone</b> N/A	<b>FAX No – N° de fax</b> N/A	
<b>Destination</b> See herein		

#### Instructions:

**Municipal taxes are not applicable. Unless otherwise specified herein all prices quoted must include all applicable Canadian customs duties, GST/HST, excise taxes and are to be delivered Delivery Duty Paid including all delivery charges to destination(s) as indicated. The amount of the Goods and Services Tax/Harmonized Sales Tax is to be shown as a separate item.**

**Instructions: Les taxes municipales ne s'appliquent pas. Sauf indication contraire, les prix indiqués doivent comprendre les droits de douane canadiens, la TPS/TVH et la taxe d'accise. Les biens doivent être livrés « rendu droits acquittés », tous frais de livraison compris, à la ou aux destinations indiquées. Le montant de la taxe sur les produits et services/taxe de vente harmonisée doit être indiqué séparément.**

<b>Solicitation Closes – L’invitation prend Fin</b> At – à : 14 :00 EST  On - le : March/mars 3, 2020
--

Delivery required - Livraison exigée	Delivery offered - Livraison proposée
Vendor Name and Address - Raison sociale et adresse du fournisseur	
Name and title of person authorized to sign on behalf of vendor (type or print) - Nom et titre de la personne autorisée à signer au nom du fournisseur (caractère d'imprimerie)	
Name/Nom _____	Title/Titre _____
Signature _____	Date _____

## **AMENDMENT 1**

Amendment 1 has been raised to provide more information for potential bidders and to extend the bid deadline from March 3, 2020 to March 13, 2020:

PARTS KIT, ROTARY PUMP includes various quantities of five different parts for the Controlled Reversible Pitch Propeller (CRPP), Main Control Oil Pump. The parts in the kit identified under item 22, are shown in the OEM - ANDRITZ HYDRO, pictorial sketch below. (Page 4)

The parts consist of three different size O-Rings, 2 different style gaskets, Oil Retaining Rings, and a Ball Bearing.

**Question 1:** What is the complete pump type and serial number for NSN: 12-3253218 PARTS KIT, ROTARY PUMP?

**Answer:** Pump Type = SMH 280R46U3

The Serial number is different for each pump; please contact the Manufacturer listed in Annex A of the solicitation.

**Question 2:** Is this a replacement for an existing pump and is there more information in regards to NSN: 12-3310892 PUMP UNIT, ROTARY?

**Answer:**

1. Yes, this is required to replace an existing pump Assembly

## AMENDMENT 1

1. The main Control Oil Pump Assembly (P/N: 6714490083) includes:

### Main control Oil pump

Manufacturer	ALLWEILER
Type	SMH280R46U3.0-W12, screw pump
Delivery Capacity	285 l/min
Speed	1750 rpm
Max. operating pressure	60 bars
Max delivery pressure	100 bars
Power consumption at 60 bars	45 kW
Nominal suction lift	6
Direction of rotation	Clockwise, facing shaft end

### Electric Motor

Manufacturer	WEIER
Type	DVX225/4M493817
Rated output	45 kW
Rated Voltage	3 x 440 V, 60 Hz
Speed	1760 rpm
Direction of rotation	clockwise
Protection	IP 57

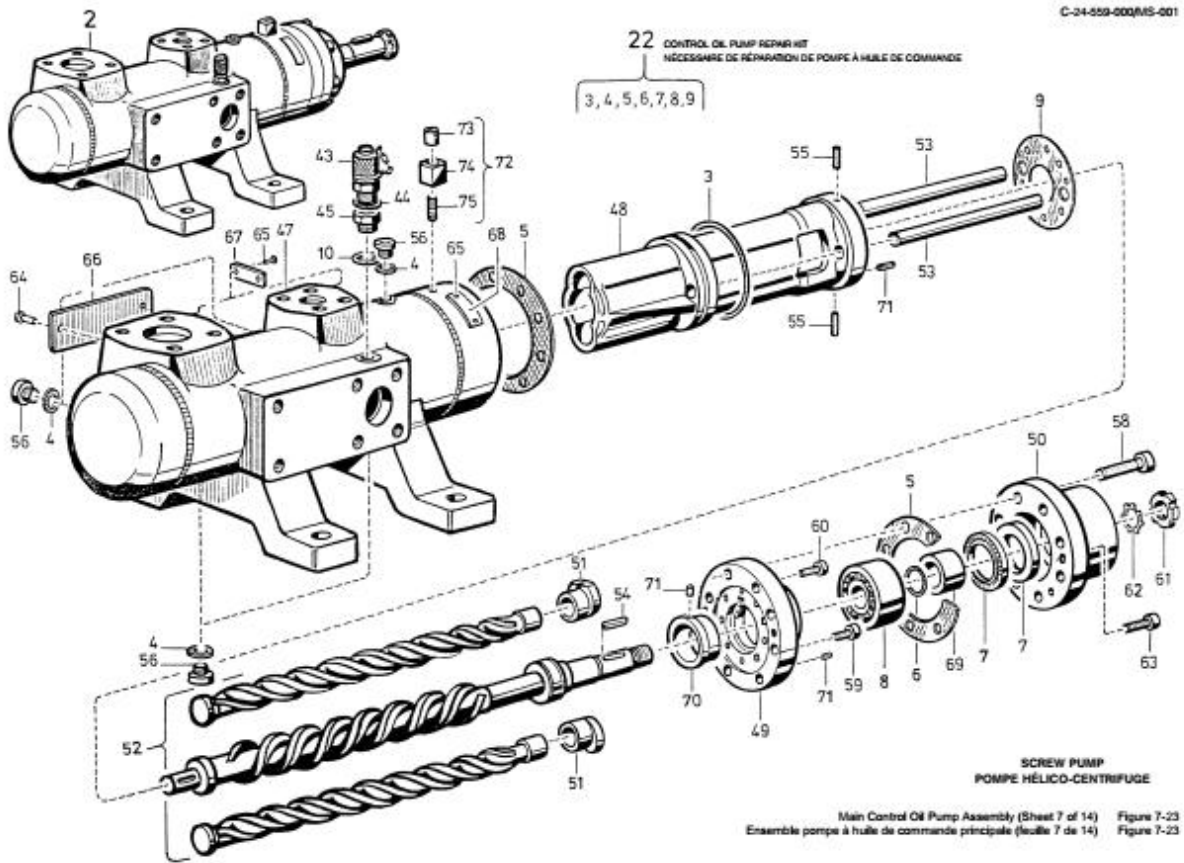
### Coupling

BG SMH 280 HP – P/N 6904401025,

Base plate P/N 2738915093 and the various other parts

**Question 3:** can you provide the operating conditions?

**Answer:** Max pressure is 60 bar as set by the included relief valve.



All other terms and conditions remain the same.