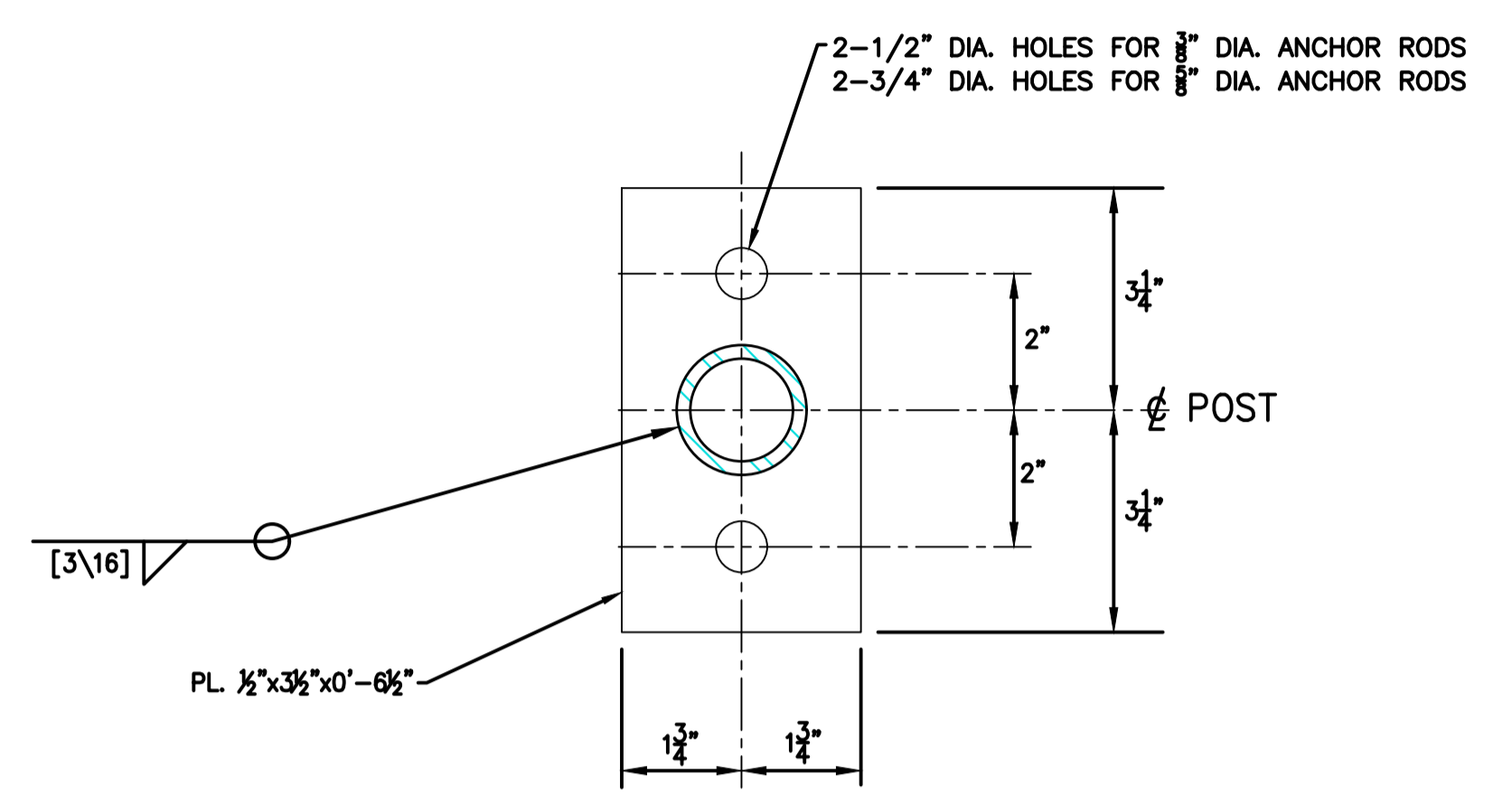


**DETAIL A**  
TYPICAL RAILING  
AT CONCRETE CURB  
SCALE: NTS



**DETAIL B**  
TYPICAL RAILING BASE PLATE  
SCALE: NTS

SAMPLE PHOTO #1



SAMPLE PHOTO #2



SAMPLE PHOTO #3



revisions		date	
project		projet	
<b>CABOT TRAIL REHABILITATION KM 7.6 TO 12.8 CAPE BRETON HIGHLANDS NATIONAL PARK</b>			
drawing		dessin	
<b>TYPICAL RAILING DETAILS</b>			
designed	GSC	conçu	
date	MAR.31,2020		
drawn	CCP	dessiné	
date	MAR.31,2020		
approved	RMB	approuvé	
date	MAR.31,2020		
Tender		Soumission	
PCA Project Manager		Administrateur de projets PCA	
project number		no. du projet	
<b>1114</b>			
drawing no.		no. du dessin	
<b>SK-01</b>			

U:\133348023\_PCA\_671\04\_drawings\133348023 KM\_0.0\_TO\_11.3\1\_civil\sketch\_files\Hand\_Rail\_Details\133348023C-sk\_hand\_rail\_details.bwg

