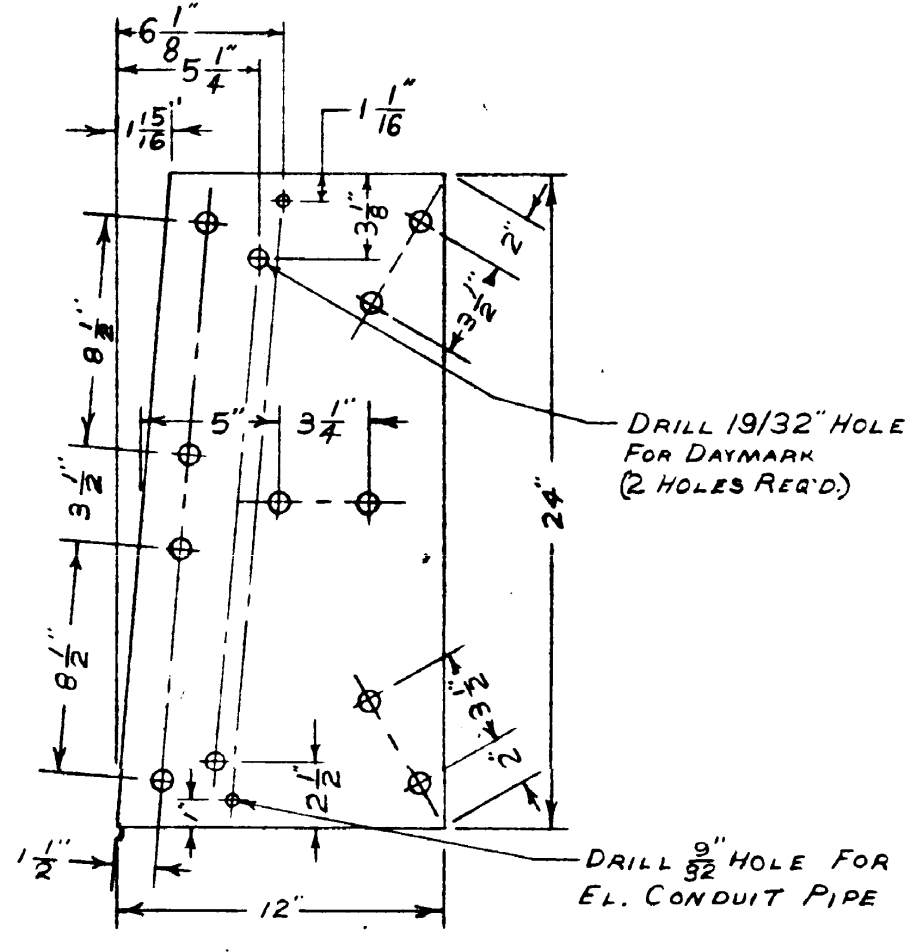
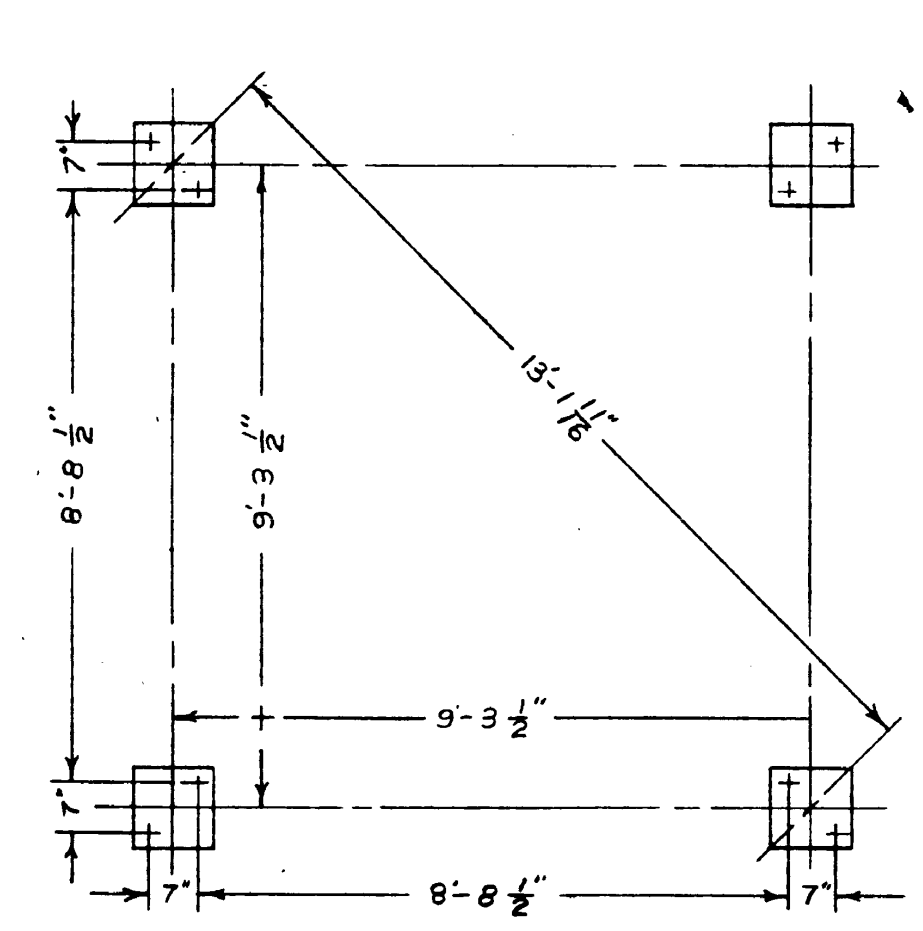


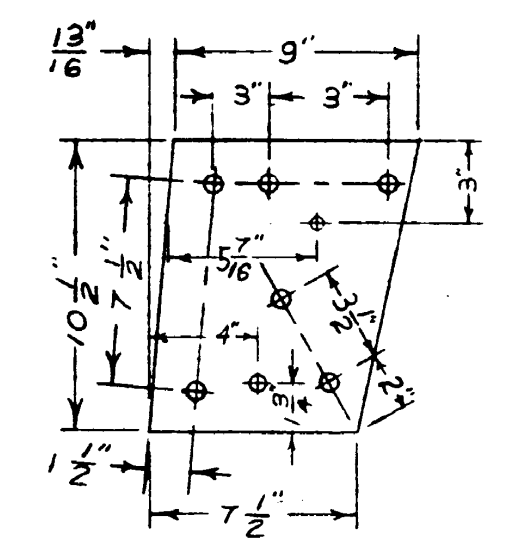
HORIZ. X-BRACES AT THIS LEVEL. 50-HX-1

HORIZ. X-BRACES AT THIS LEVEL 50-HX-2

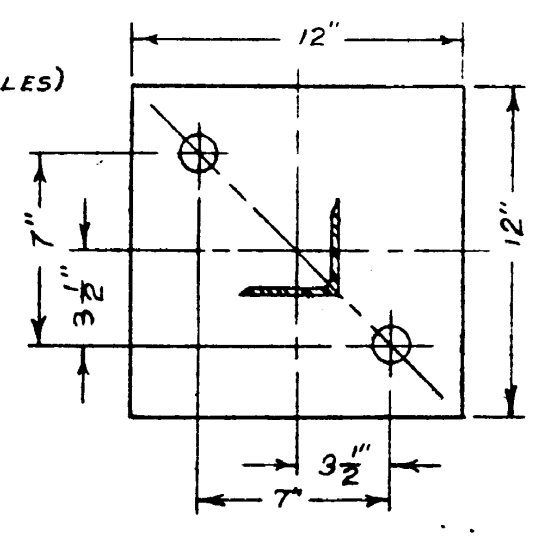
ELEVATION LADDER SIDE SHOWN SCALE: 3/8" = 1'-0"



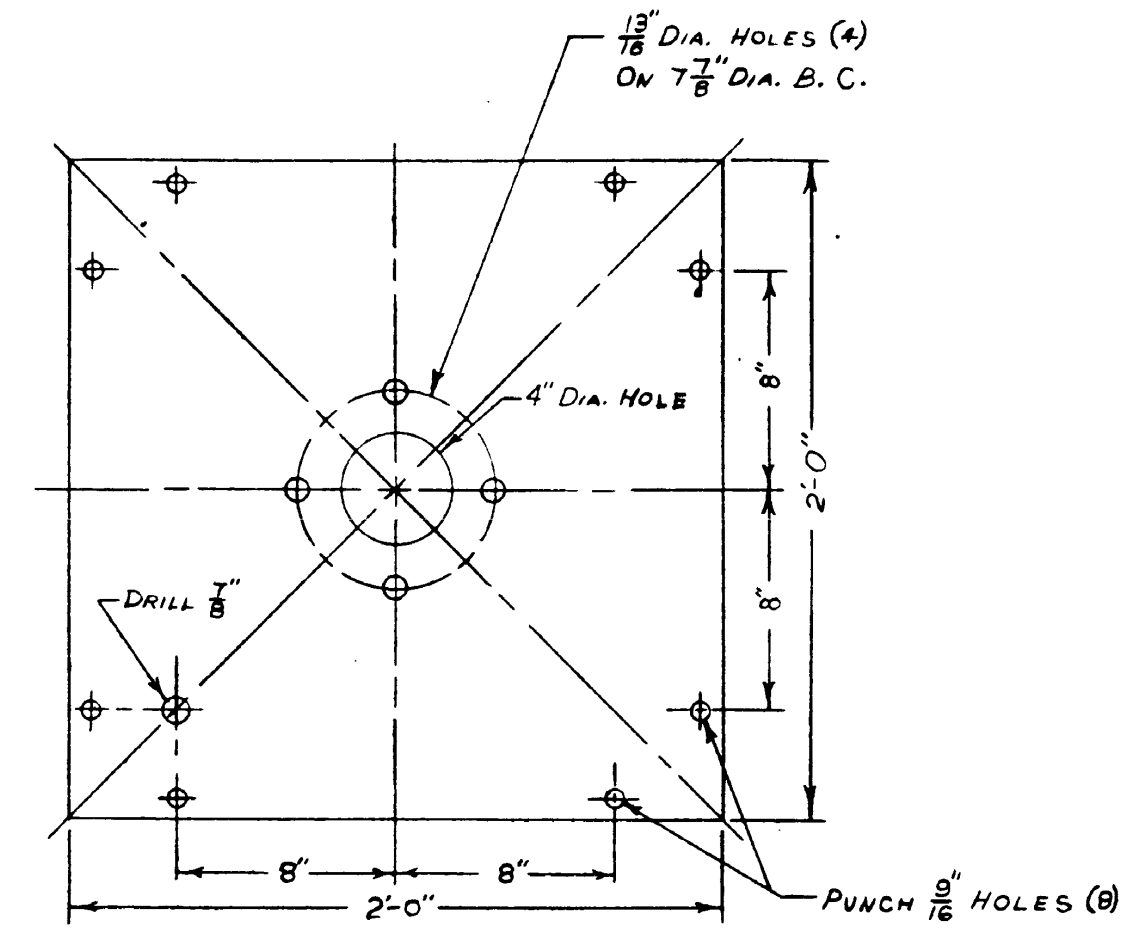
GUSSET B SCALE: 2" = 1'-0"



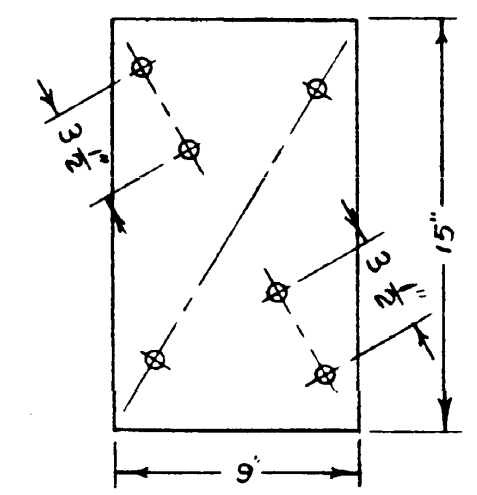
GUSSET A SCALE: 2" = 1'-0"



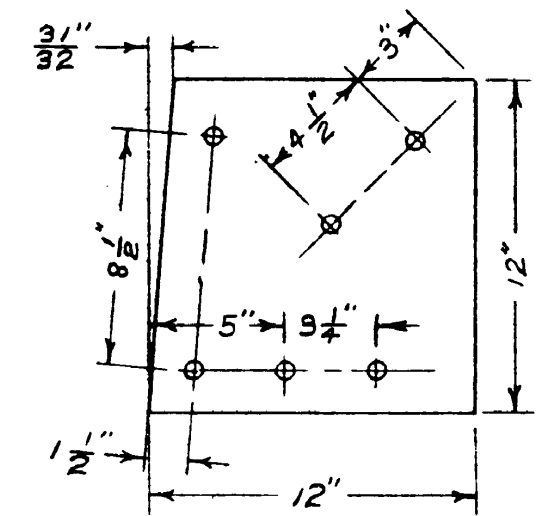
FOOT PLATE SCALE: 2" = 1'-0"



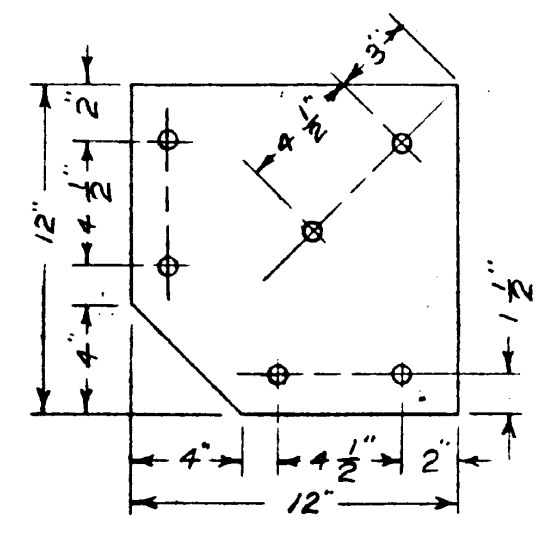
LANTERN TABLE (L.P.) SCALE: 2" = 1'-0"



GUSSET F SCALE: 2" = 1'-0"



GUSSET D SCALE: 2" = 1'-0"



GUSSET G FOR HORIZ. CROSSBRACES. SCALE: 2" = 1'-0"

MATERIAL LIST				
MARK	QTY.	MATERIAL	FEET	WT. LB.
50-L-R	1	3/8" M.S. R.		62
50-A	8	1/2" M.S. R.		80
50-C-1	4	2" X 2" X 1/4" M.S. L.	6'-4"	20
50-X-1A	8	1 1/2" X 1 1/2" X 1/4" M.S. L.	17'-0"	40
50-X-1	4	1 1/2" X 1 1/2" X 1/4" M.S. L.	18'-0"	45
50-F	4	1/2" M.S. R.		40
50-B	40	1/2" M.S. R.		800
50-C-2	4	2" X 2" X 1/4" M.S. L.	9'-4"	30
50-X-2	8	2" X 2" X 1/4" M.S. L.	53'-4"	170
50-C-3	4	2" X 2" X 1/4" M.S. L.	13'-0"	42
50-X-3	8	2" X 2" X 1/4" M.S. L.	67'-0"	214
50-L-1	4	2 1/2" X 2 1/2" X 1/4" M.S. L.	80'-0"	328
50-C-4	4	2" X 2" X 1/4" M.S. L.	18'-0"	57
50-X-4	8	2 1/2" X 2 1/2" X 1/4" M.S. L.	81'-0"	334
50-L-2	4	3" X 3" X 1/4" M.S. L.	100'-0"	490
50-HX-2	2	2 1/2" X 2 1/2" X 1/4" M.S. L.	21'-0"	88
50-G	8	1/2" M.S. R.		80
50-C-5	4	2" X 2" X 1/4" M.S. L.	24'-0"	77
50-X-5	8	2 1/2" X 2 1/2" X 1/4" M.S. L.	92'-0"	378
50-C-6	4	2" X 2" X 1/4" M.S. L.	30'-0"	96
50-L-3	4	3 1/2" X 3 1/2" X 1/4" M.S. L.	40'-0"	232
50-X-6	8	3" X 3" X 1/4" M.S. L.	92'-0"	450
50-C-7	4	2 1/2" X 2 1/2" X 1/4" M.S. L.	35'-8"	143
50-D	8	1/2" M.S. R.		80
50-FP	4	1/2" M.S. R.		62
50-HX-1	2	2" X 2" X 1/4" M.S. L.	12'-6"	40

MATERIAL	QTY.	WT. LB.
1 1/2" X 1 1/2" X 1/4" M.S. L.	36'-0"	85
2" X 2" X 1/4" M.S. L.	234'-0"	746
2 1/2" X 2 1/2" X 1/4" M.S. L.	310'-0"	1271
3" X 3" X 1/4" M.S. L.	192'-0"	940
3 1/2" X 3 1/2" X 1/4" M.S. L.	40'-0"	322
1/2" M.S. R.	98 SQ. FT.	980
3/8" M.S. R.	8 SQ. FT.	124
3/8" X 1/2" BOLTS C/W L.W.	28	
1/2" X 1 1/2" BOLTS C/W L.W.	6	

SEE CONTINUATION BELOW

- NOTES:
1. ALL STEEL L'S. 2" & OVER SHALL BE BOLTED WITH 3/4" DIA. GALV'D. UNDER 2" WITH 1/2" DIA. GALV'D BOLTS.
 2. BEAMS ON ONE SIDE OF TOWER TO BE DRILLED OR PUNCHED FOR LADDER 2-13/16" HOLES 18" ON CTRS.
 3. TEMPLATES TO BE USED FOR ALL HOLES SO THAT ALL MEMBERS ARE INTERCHANGABLE AT EACH LEVEL.
 4. ALL MEMBERS SHALL BE MARKED AS SHOWN WITH TOWER HEIGHT AS PREFIX IE. 50-X-2, 50-X-3 ETC. NO. TO BE 1" MIN. HEIGHT & DONE WITH A SUITABLE WELDING BEAD.
 5. HORIZONTAL CROSSBRACES TO BE MARKED -THX & BNX.
 6. ALL WEIGHT & DIM. GIVEN IN TABLE "MATERIAL LIST" ARE APPROXIMAT & DOES NOT ALLOW FOR WASTE.
 7. FORE FOUNDATION SEE DRWG. NO. PF-4101-TS.
 8. FORE LADDER SEE DRWG. NO. PF-4911-TS.
 9. BOLT MATERIAL LIST INCLUDES BOLTS FOR WORKING PLATFORM. LADDER ADD DAYMARK INSTALLATION.
 10. HORIZONTAL CROSSBRACES NO. 50-C-1 TO BE DRILLED FOR 1/2" BOLTS.

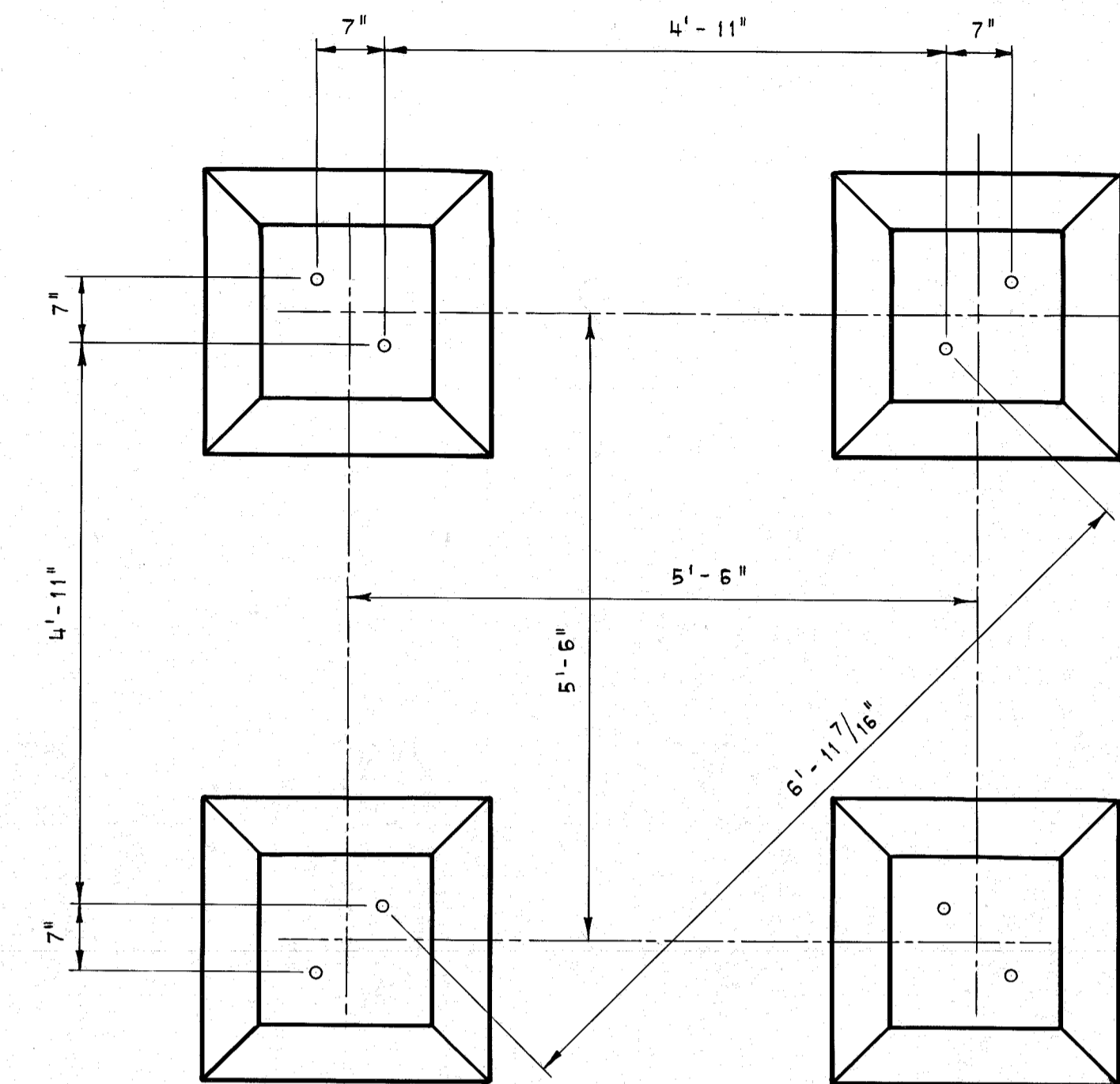
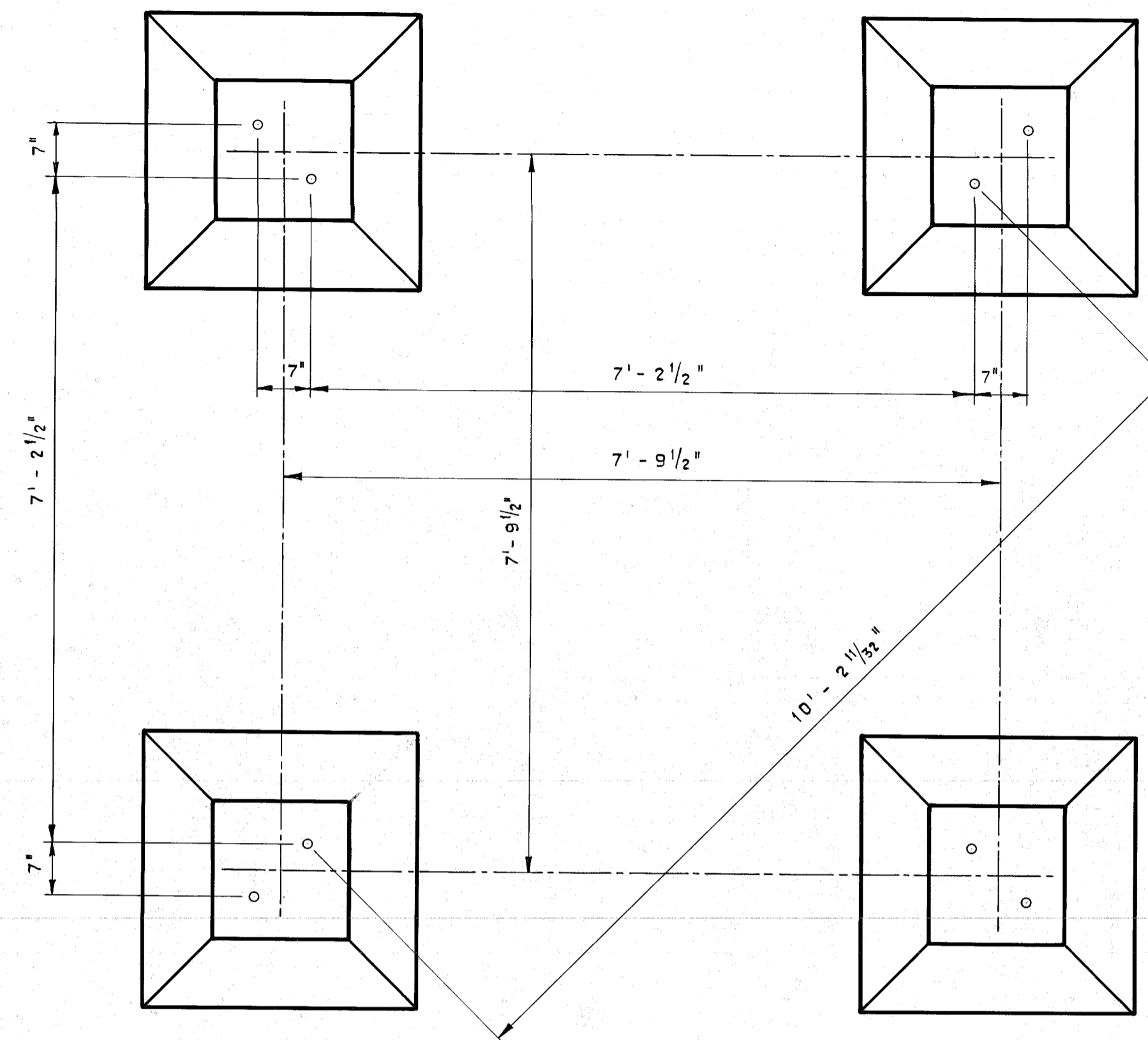
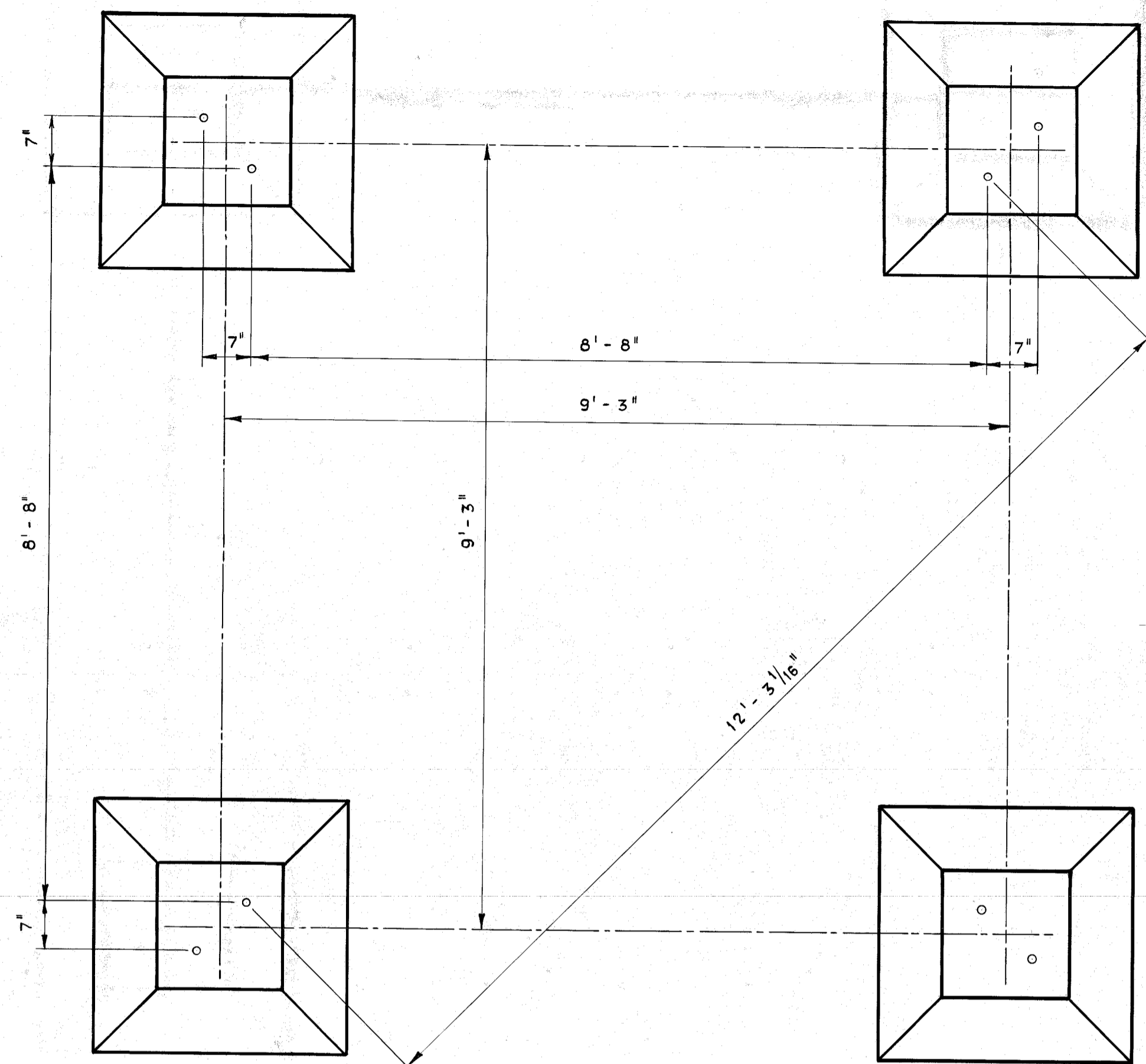
1/2" X 1 1/2" BOLTS C/W L.W.	136
3/8" X 1 1/2" " " " "	489
3/8" X 2" " " " "	4

ISSUE: *X3

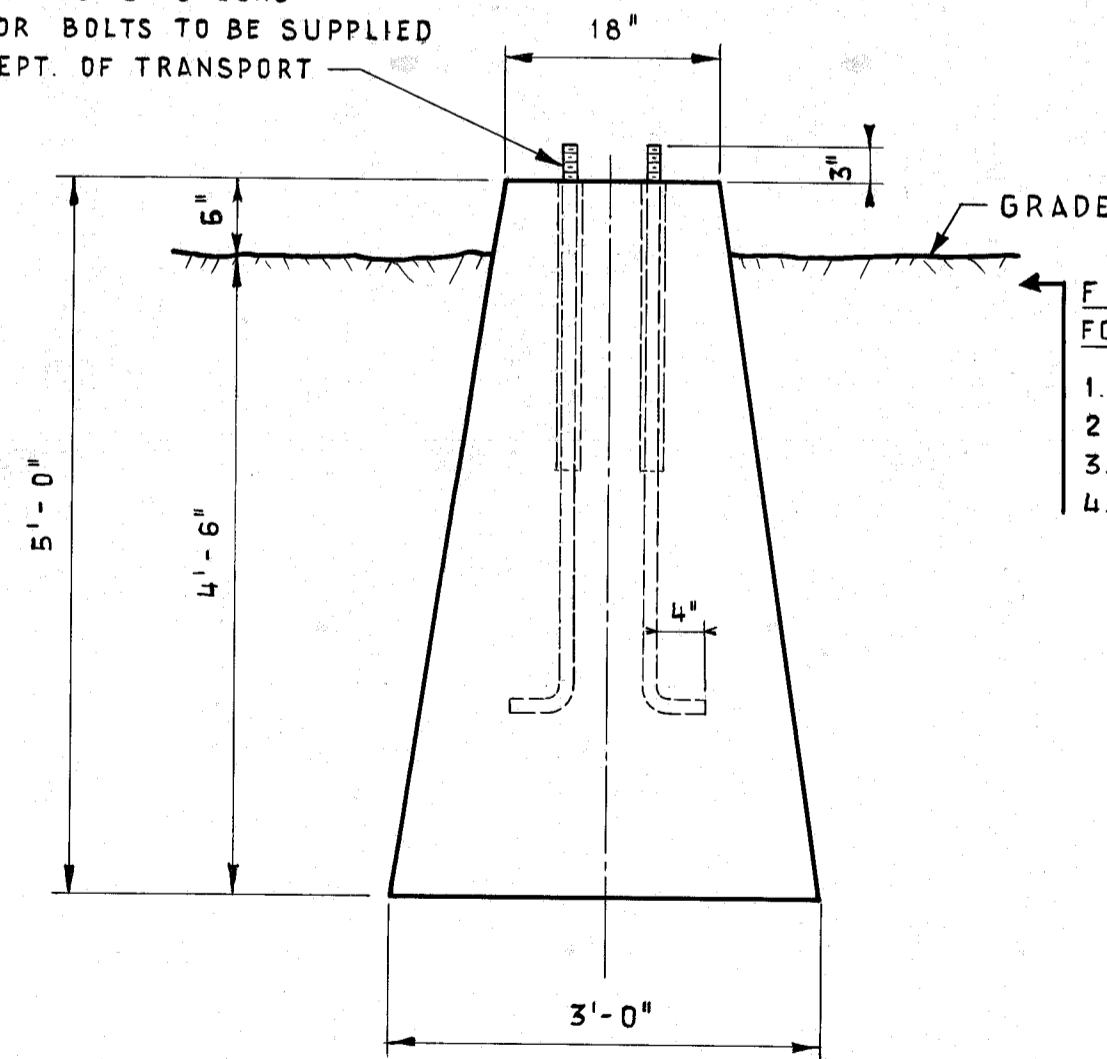
DEPARTMENT OF TRANSPORT
MARINE SERVICES BRANCH
PRESCOTT AGENCY
PRESCOTT ONTARIO

50' STRUCTURAL STEEL TOWER

DATE: 3-1-67 45 SHOWN SHEET 1 of 1 SHEETS
PH-410-TS H



BOLTS 1" ϕ , 4'-0" LONG
IN 2" PIPES 2'-0" LONG
ANCHOR BOLTS TO BE SUPPLIED
BY DEPT. OF TRANSPORT



FOOTINGS FOR 51 FT. STEEL TOWER

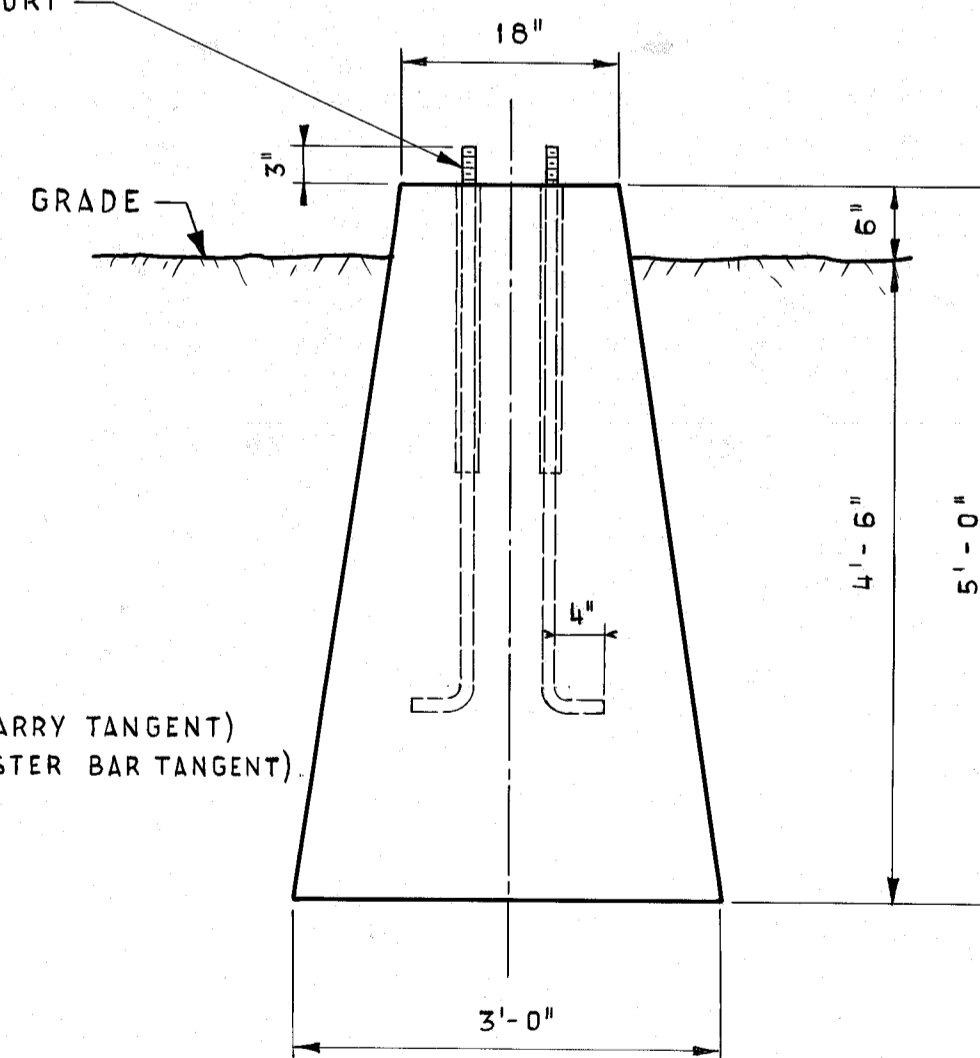
FOOTINGS REQUIRED AT THE
FOLLOWING FOUR SITES:

1. CORNWALL ISLAND (FRONT LIGHT FOR GLENGARRY TANGENT)
2. THOMPSON ISLAND (BACK LIGHT FOR CLARK ISLAND TANGENT)
3. THOMPSON ISLAND (BACK LIGHT FOR BUTTERNUT ISLAND TANGENT)
4. KNIGHT POINT (STEERING LIGHT FOR GRASS ISLAND TANGENT)

FOOTINGS REQUIRED AT THE
FOLLOWING TWO SITES:

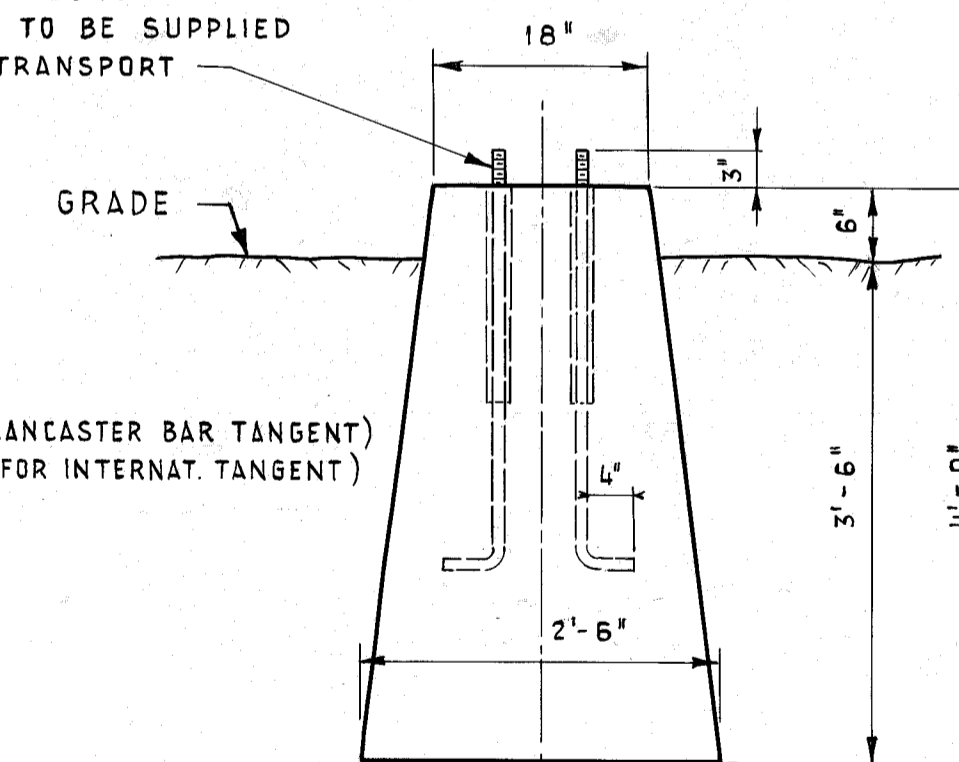
1. CORNWALL ISLAND (BACK LIGHT FOR GLENGARRY TANGENT)
2. DUPUIS POINTE (BACK LIGHT FOR LANCASTER BAR TANGENT)

BOLTS 1" ϕ , 4'-0" LONG
IN 2" PIPES 2'-0" LONG
ANCHOR BOLTS TO BE SUPPLIED
BY DEPT. OF TRANSPORT



FOOTINGS FOR 40 FT. STEEL TOWER

BOLTS 1" ϕ , 3'-0" LONG
IN 2" PIPES 1'-6" LONG
ANCHOR BOLTS TO BE SUPPLIED
BY DEPT. OF TRANSPORT



FOOTINGS FOR 25 FT. STEEL TOWER

FOOTINGS REQUIRED AT THE
FOLLOWING FOUR SITES:

1. NUN ISLAND (FRONT LIGHT FOR LANCASTER BAR TANGENT)
2. THIRD CRAB ISLAND (STEERING LIGHT FOR INTERNAT. TANGENT)
3. CLARKE ISLAND LIGHT
4. STANLEY ISLAND LIGHT

DEPARTMENT OF TRANSPORT
MARINE SERVICES BRANCH
AIDS TO NAVIGATION DIVISION
OTTAWA ONTARIO

FOOTINGS-STEEL TOWER

DESIGNED: pB
DRAWN: pB
CHECKED: JAB
APPROVED: JAB
DATE: 11TH JULY 1957

SCALE: 3/4" = 1'-0"
SHEET 1 OF 1 SHEETS
CR-14795