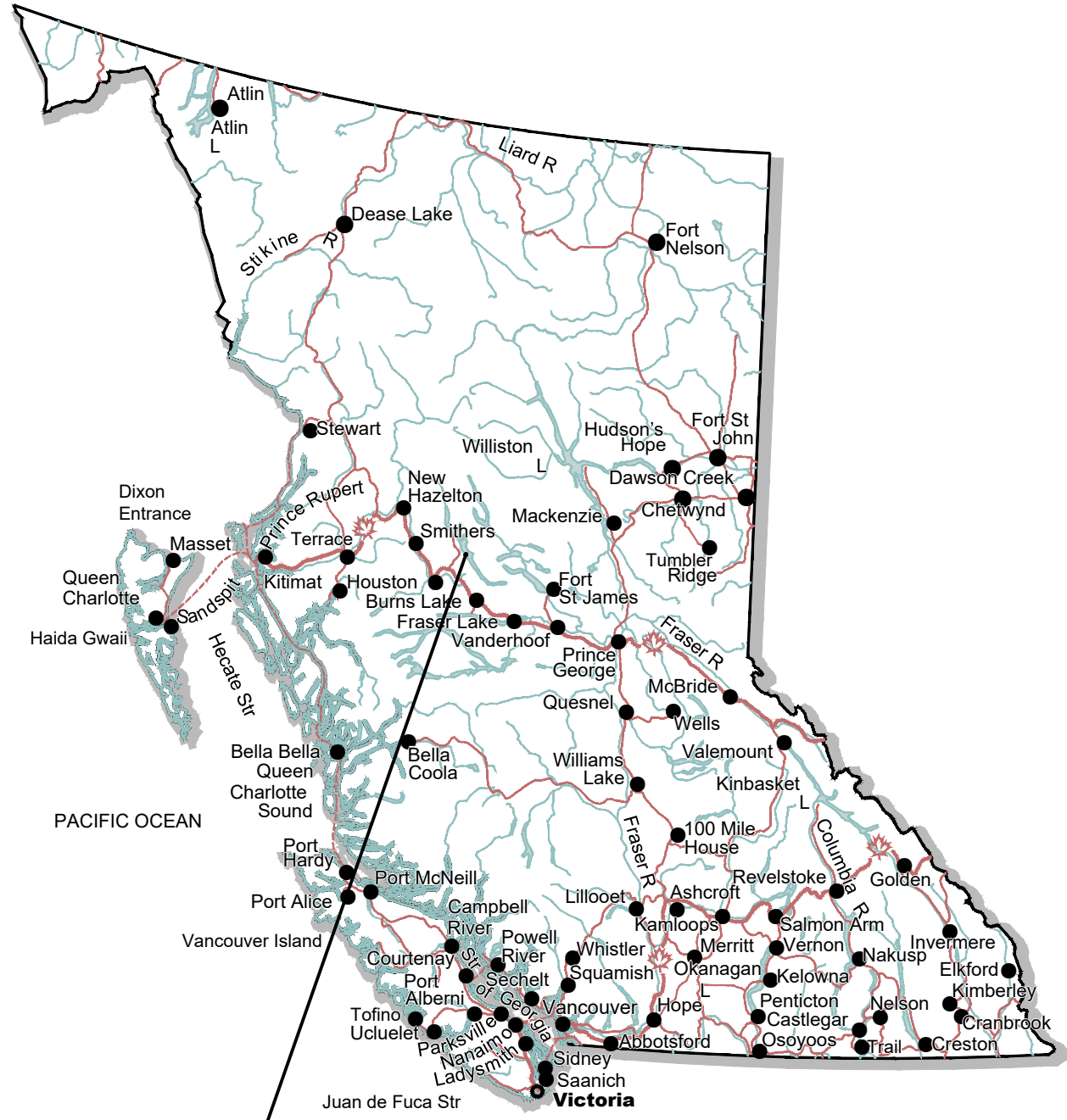




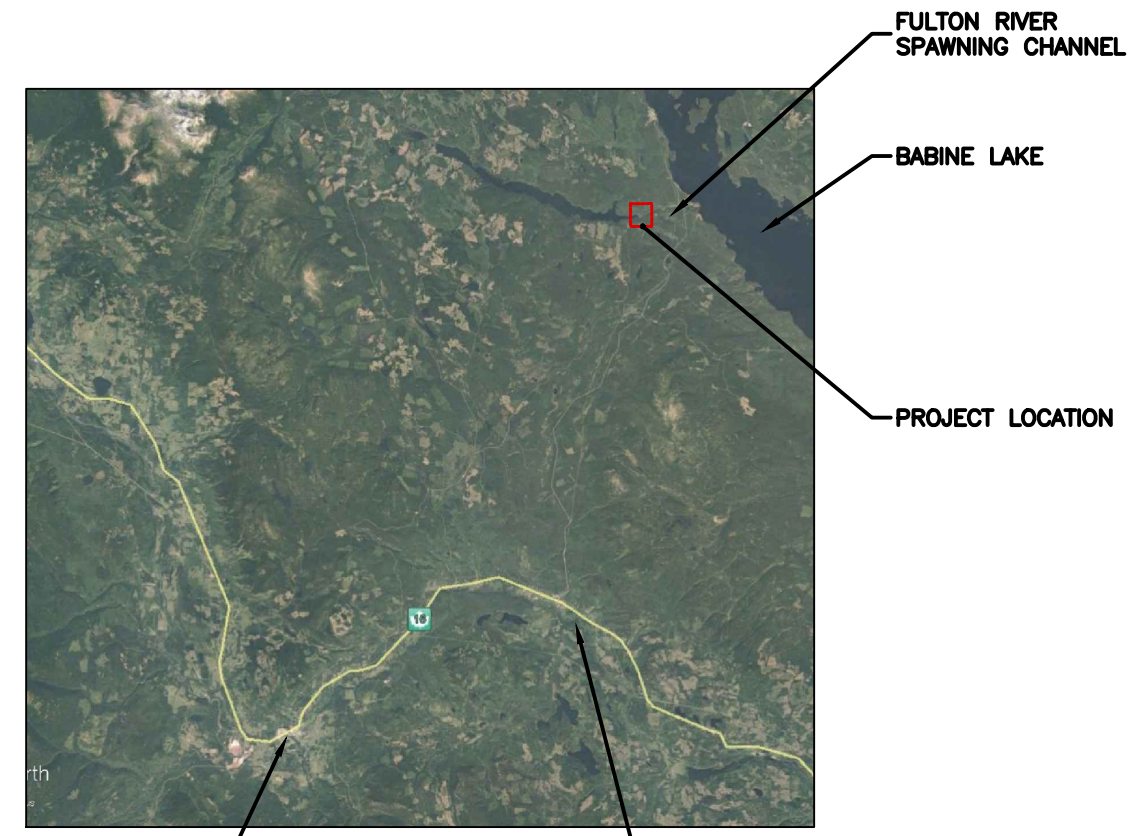
# FULTON RESERVOIR REGULATING BUILDING ACCESS STAIR REPLACEMENT

FOR REFERENCE ONLY  
JULY 30, 2019  
urbansystems.ca



PROJECT LOCATION

DRAWING LIST	
C00	COVER
C01	SITE PLAN
C02	SIDE VIEW
S1.1	GENERAL NOTES AND KEY PLAN
S3.1	DETAILS SHEET 1
S3.2	DETAILS SHEET 2
S3.3	DETAILS SHEET 2



HOUSTON SITE LOCATION NOT TO SCALE



\\usurbansystems.com\projects\Projects\_VAN\1054\0000\03\03\Design\CAD\PROD\SET\_1\C00\_1054\000303 - Cover.dwg, C00-Cover, 2019/07/30 02:21 pm, king



\\urban\systems\projects\Projects\_VAN\1054\0000\03\03\Design\CAD\PROD\SET 1\C01-C02\_1054000003 - Site Plan.dwg, C01-Site Plan, 2019/07/30 02:23 pm King

**DEPARTMENT OF FISHERIES AND OCEANS**  
HABITAT AND ENHANCEMENT BRANCH



FOR REFERENCE ONLY  
JULY 30, 2019  
urbansystems.ca

DESIGNED  
S.DUPLUS  
DRAWN  
S.CHAN  
CHECKED  
S.DUPLUS  
RECOMMENDED  
APPROVED  
APPROVED

**FULTON RESERVOIR  
REGULATING BUILDING ACCESS  
STAIR REPLACEMENT  
SITE PLAN**

SCALE	1:2000
DATE	2019-07-30
DRAWING NUMBER	C01
REVISION	0

DWG. NO.	REFERENCE DRAWINGS	NOTES	NO.	DATE	REVISIONS
			0	JULY 30, 2019	ISSUED FOR PRELIMINARY

\\usurbansystems.com\projects\Projects\_VAN\1054\0000\03\03\Design\CAD\PROD\SET 1\C01-C02 1054000003 - Site Plan.dwg, C02-Side View, 2019/07/30 02:21 pm King



EXISTING STAIRWAY TO BE REMOVED AND DISPOSED OF.  
NEW STAIRWAY TO BE BUILT IN PLACE.  
NEW ELECTRICAL AND CONTROLS TO BE ATTACHED TO THE STAIR STRUCTURE.

THE EXISTING ROOF OF THE VALVE HOUSE IS COVERED BY GRAVEL (APPROX. 2 TO 3 FEET THICK). INSTALLATION OF NEW STAIRWAY FOUNDATION AND STRUCTURE ON TOP OF THE VALVE HOUSE WILL REQUIRE REMOVAL OF EXISTING GRAVEL. AFTER STAIR CONSTRUCTION, ROOF IS TO BE BACKFILLED WITH 19mm MINUS FREE DRAINING GRAVEL APPROVED BY DFO REPRESENTATIVE (REFER TO DRAWING 21-19-M46).

NEW STAIRWAY FOUNDATIONS (ROCK ANCHORING) TO BE LOCATED BY CONTRACTOR, AND APPROVED BY DFO REPRESENTATIVE. CONTRACTOR TO FINALIZE STRUCTURE DIMENSIONS AND ISSUE SHOP DRAWINGS AFTER FOUNDATION LOCATIONS APPROVED.

**DEPARTMENT OF FISHERIES AND OCEANS**  
HABITAT AND ENHANCEMENT BRANCH



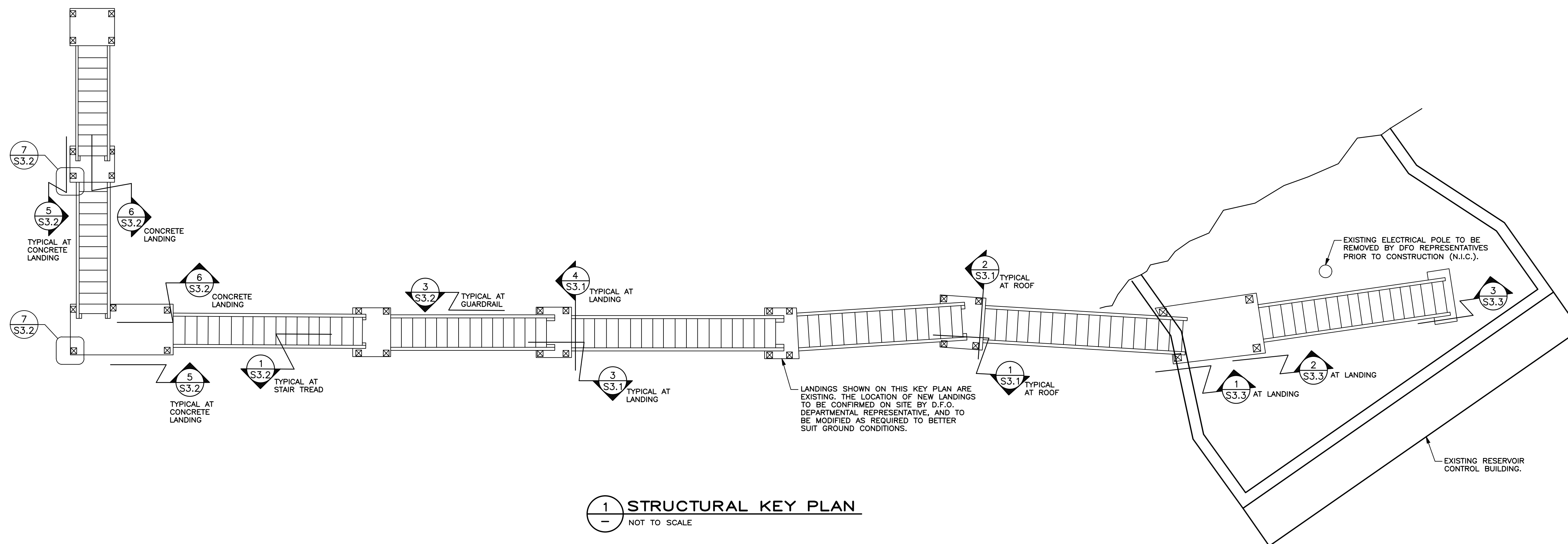
FOR REFERENCE ONLY  
JULY 30, 2019  
[urbansystems.ca](http://urbansystems.ca)

DESIGNED  
S.DUPLUS  
DRAWN  
S.CHAN  
CHECKED  
S.DUPLUS  
RECOMMENDED  
APPROVED  
APPROVED

FULTON RESERVOIR  
REGULATING BUILDING ACCESS  
STAIR REPLACEMENT  
SIDE VIEW

SCALE  
1:2000  
DATE  
2019-07-30  
DRAWING NUMBER  
C02  
REVISION  
0

DWG. NO.	REFERENCE DRAWINGS	NOTES	NO.	DATE	REVISIONS
			0	JULY 30, 2019	ISSUED FOR PRELIMINARY



1 STRUCTURAL KEY PLAN  
NOT TO SCALE

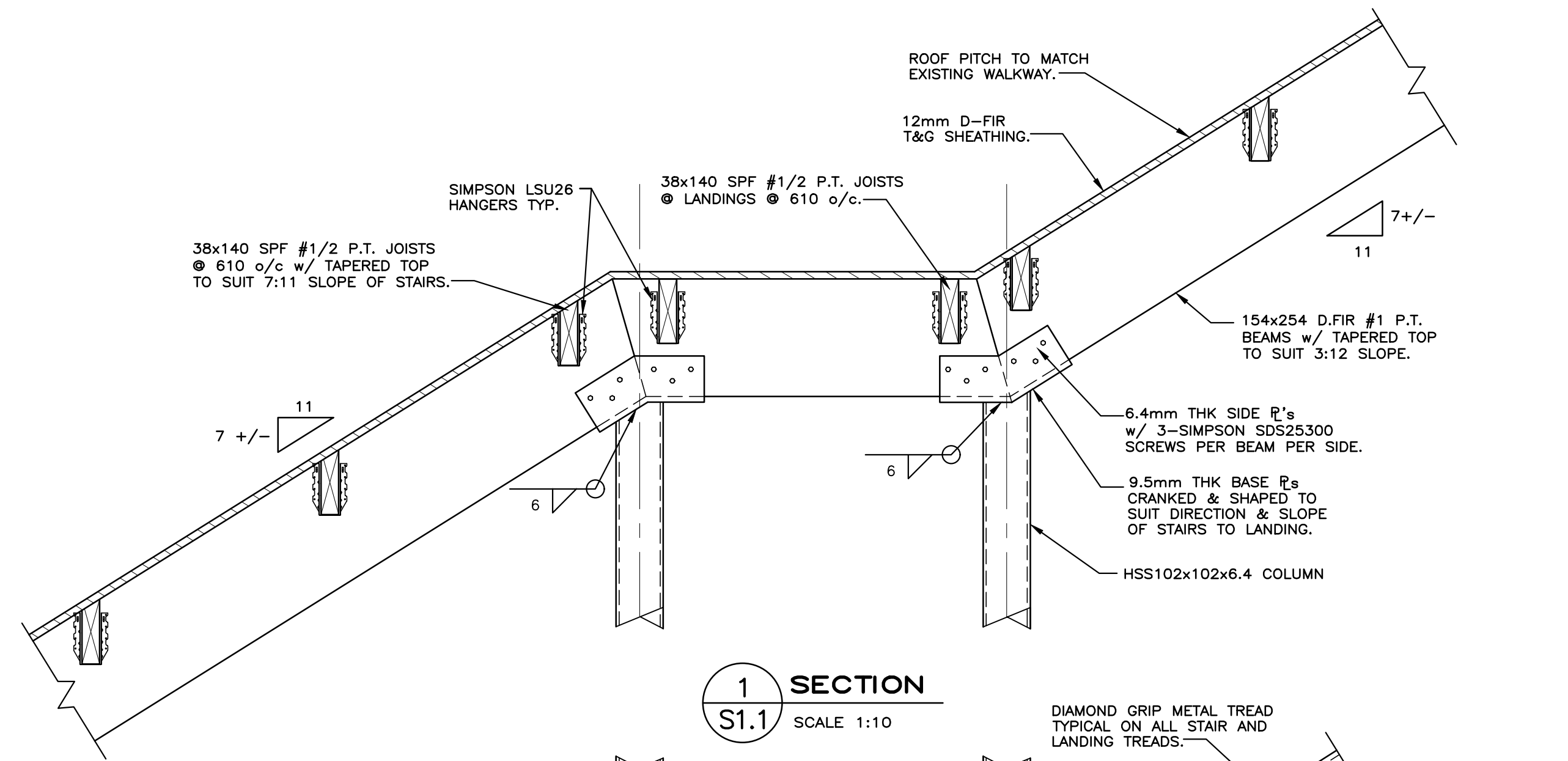
DWG. NO.	M	S
	K	M
	M	N
	Structural Engineering	
DRAWING REFERENCES		

FOR REFERENCE ONLY

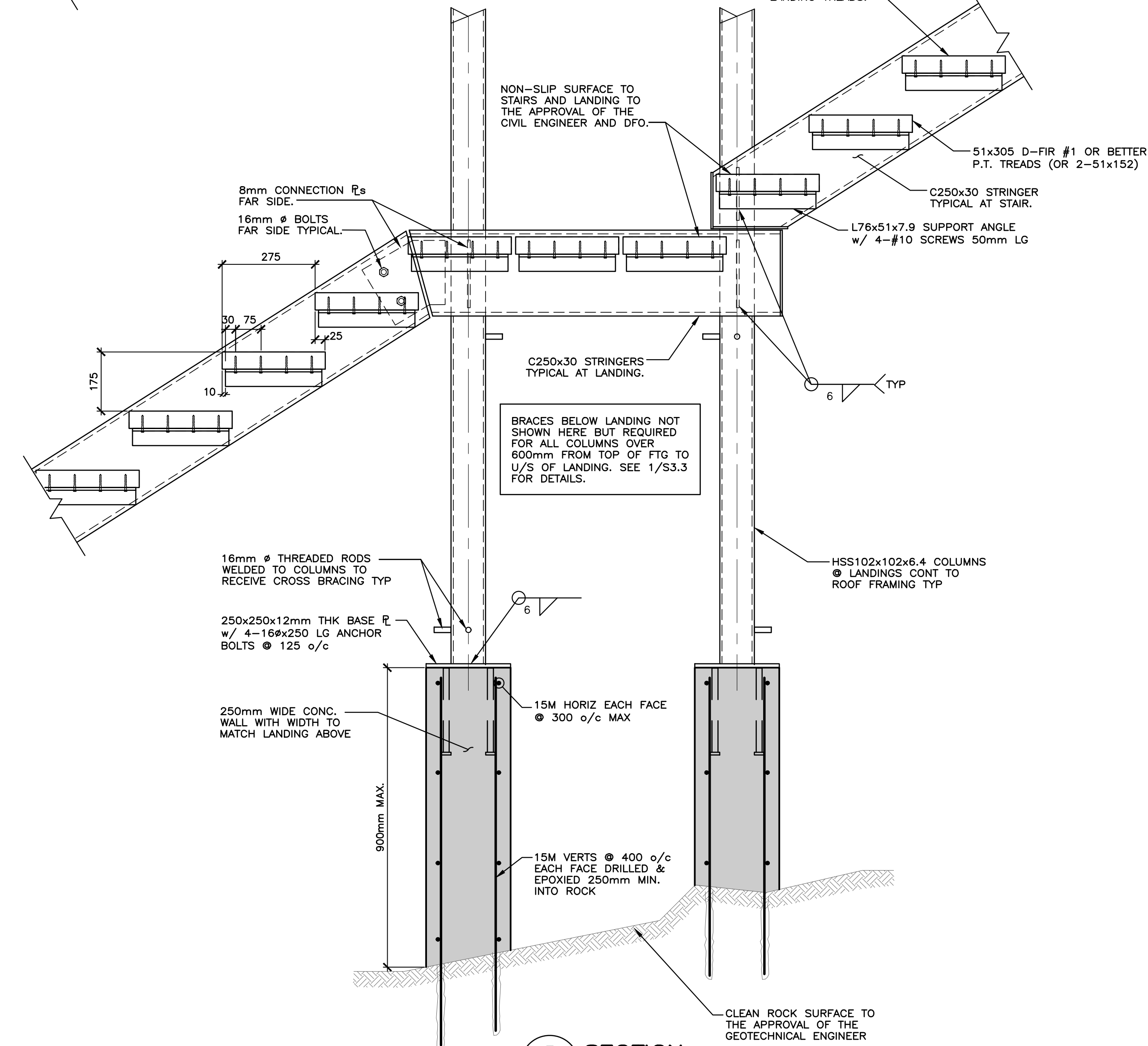
NOTES

NO.	DATE	REVISIONS
2	2019-04-19	ISSUED FOR TENDER
1	2018-09-28	ISSUED FOR REVIEW

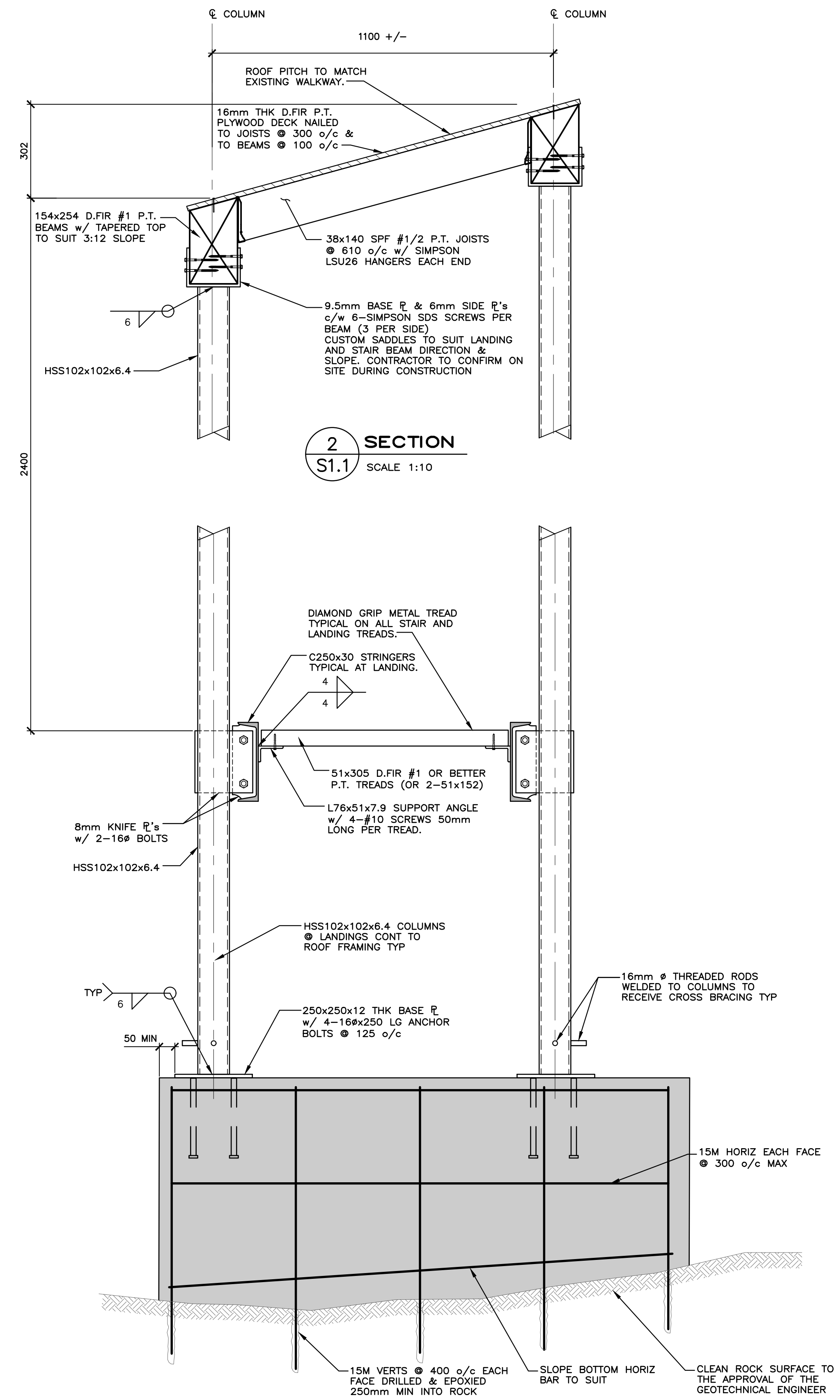
<b>FISHERIES AND OCEANS CANADA</b> REAL PROPERTY AND SAFETY AND SECURITY	
<b>FULTON RESERVOIR REGULATING BUILDING</b> <b>ACCESS STAIR REPLACEMENT</b> <b>KEY PLAN</b>	
DESIGNED SD/PWSM	SCALE N/A
DRAWN PWSM	START DATE 2018-09-01
CHECKED	DRAWING NUMBER MSE0025 S1.1
RECOMMENDED	
APPROVED	



1 SECTION  
S1.1 SCALE 1:10



3 SECTION  
S1.1 SCALE 1:10



2 SECTION  
S1.1 SCALE 1:10

4 SECTION  
S1.1 SCALE 1:10

M	S
K	M
M	N
Structural Engineering	

FOR REFERENCE ONLY

DWG. NO. DRAWING REFERENCES

NOTES

NO.	DATE	REVISIONS
2	2019-04-19	ISSUED FOR TENDER
1	2018-07-30	ISSUED FOR REVIEW

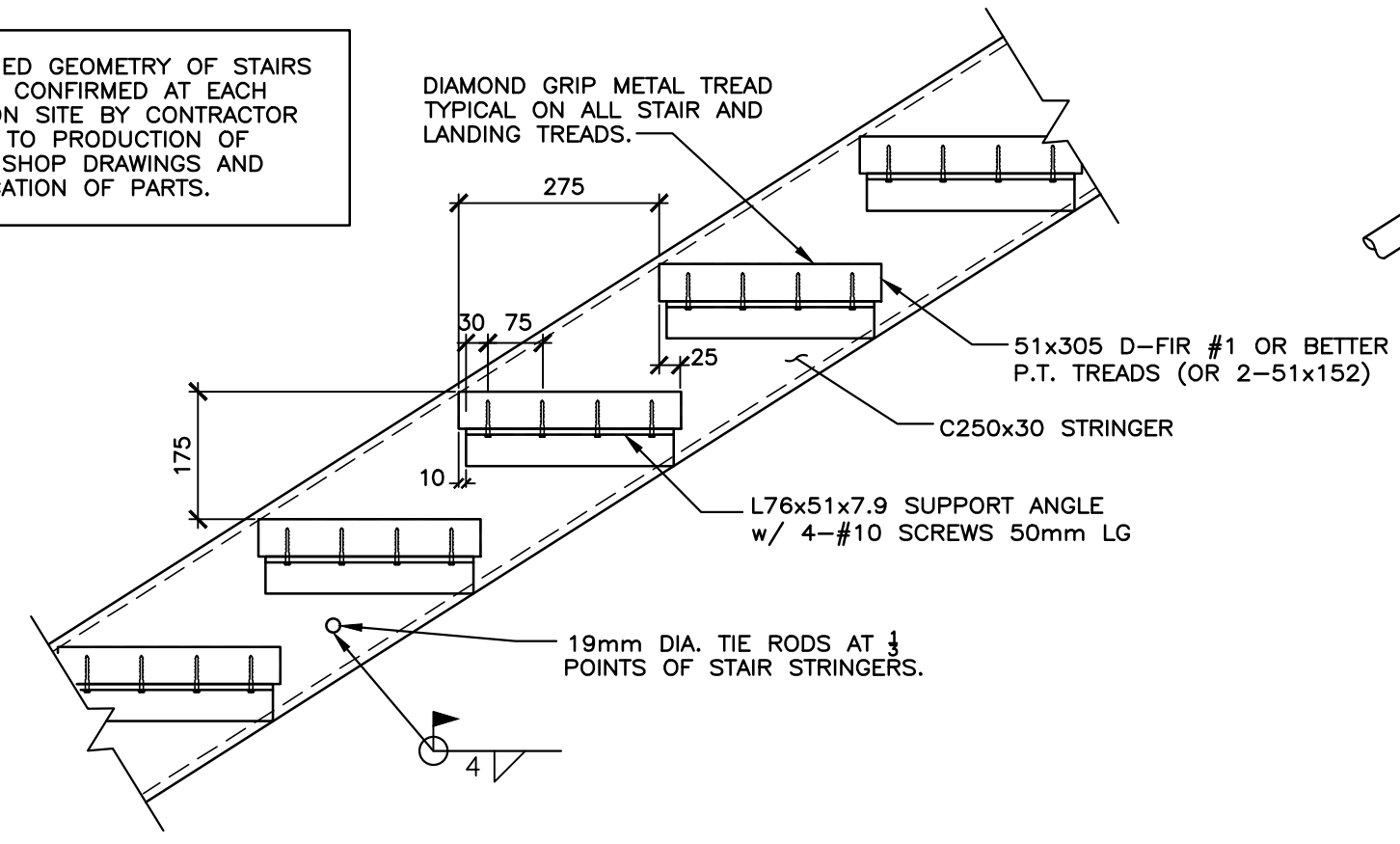
DESIGNED	SD/PWSM
DRAWN	PWSM
CHECKED	
RECOMMENDED	
APPROVED	

**FISHERIES AND OCEANS CANADA**  
REAL PROPERTY AND SAFETY AND SECURITY

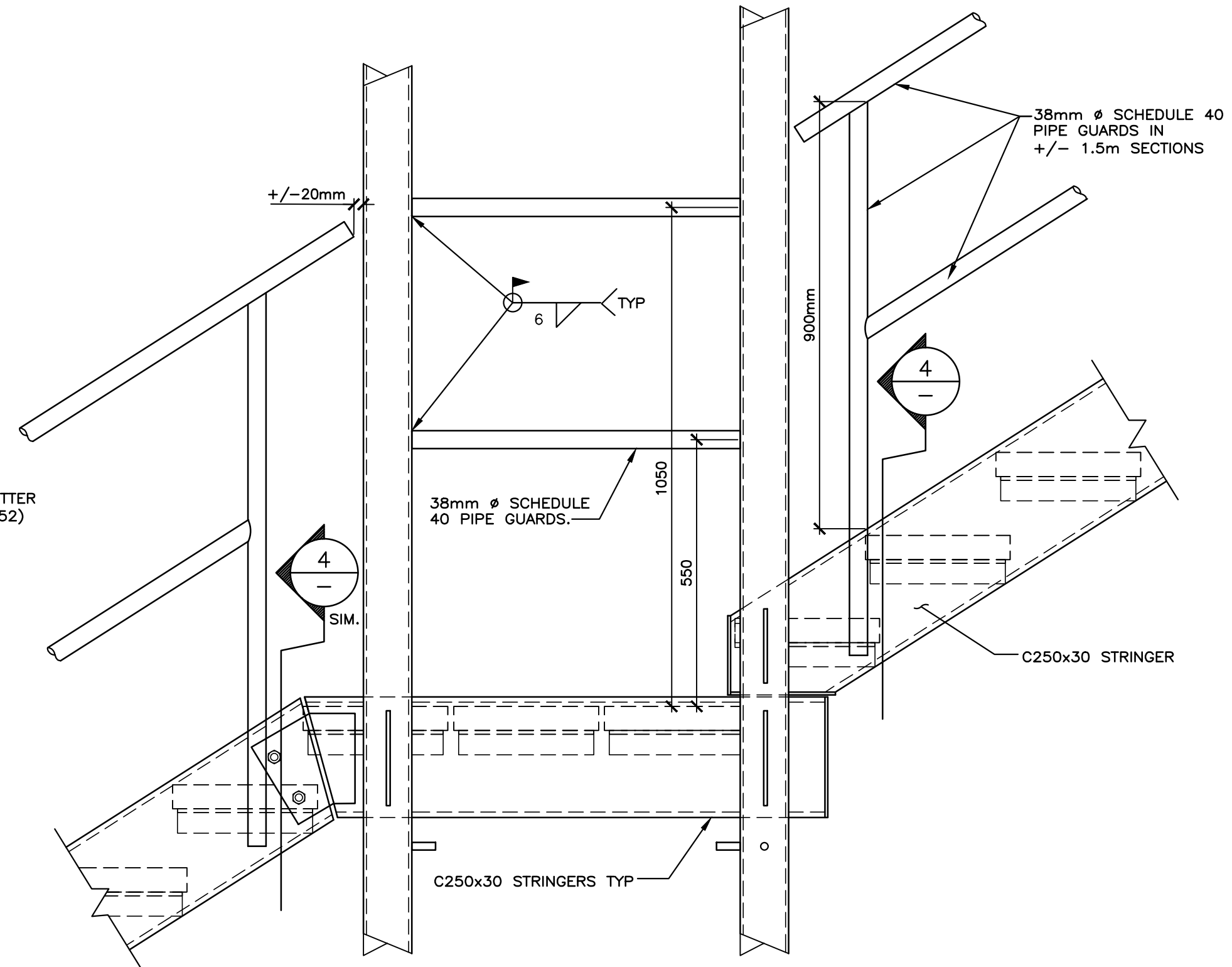
**FULTON RESERVOIR REGULATING BUILDING**  
ACCESS STAIR REPLACEMENT  
DETAILS SHEET 1

SCALE  
1:10  
START DATE  
2018-09-01  
DRAWING NUMBER  
MSE0025 S3.1

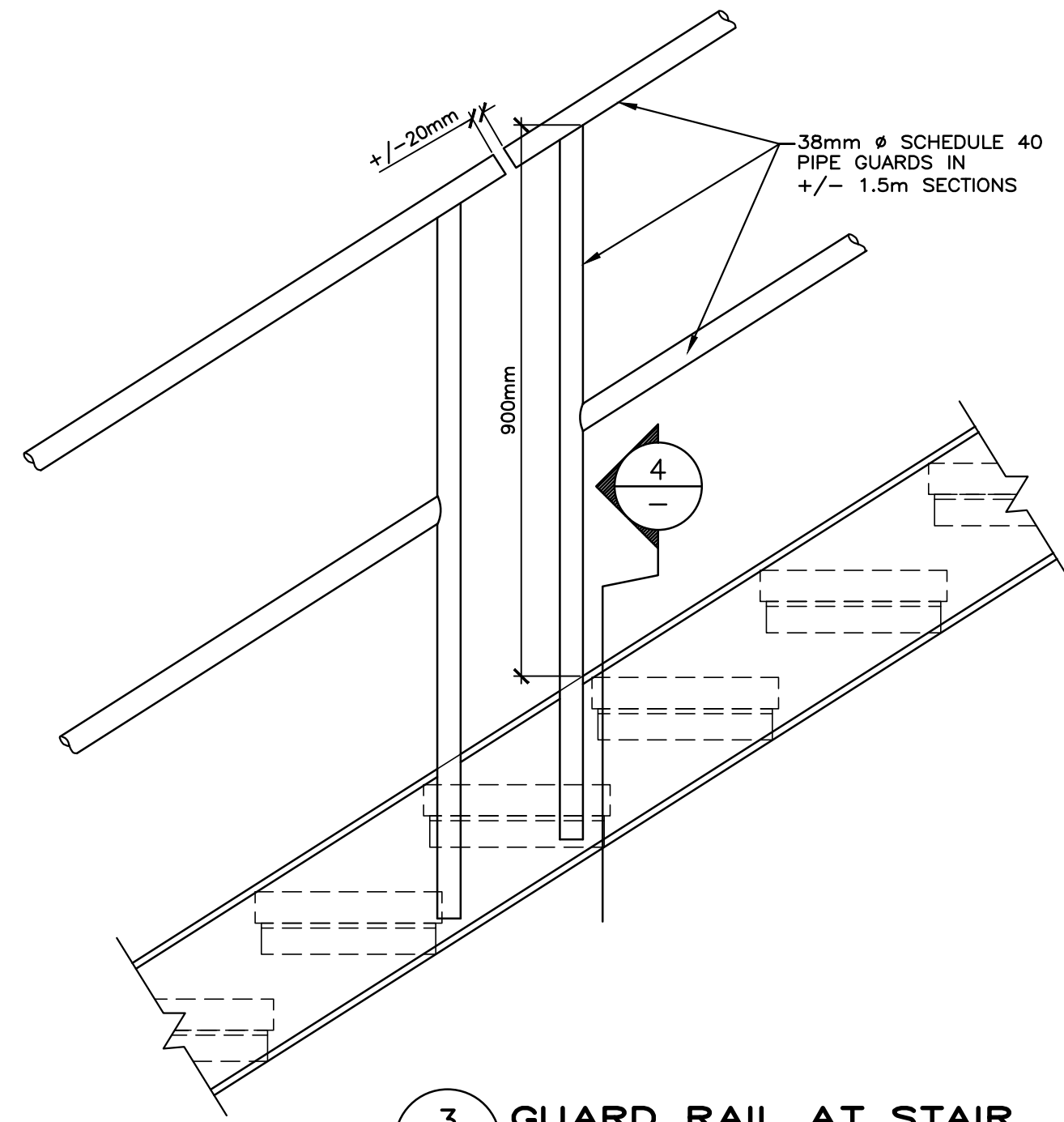
ASSUMED GEOMETRY OF STAIRS TO BE CONFIRMED AT EACH RUN ON SITE BY CONTRACTOR PRIOR TO PRODUCTION OF SHOP SHOP DRAWINGS AND FABRICATION OF PARTS.



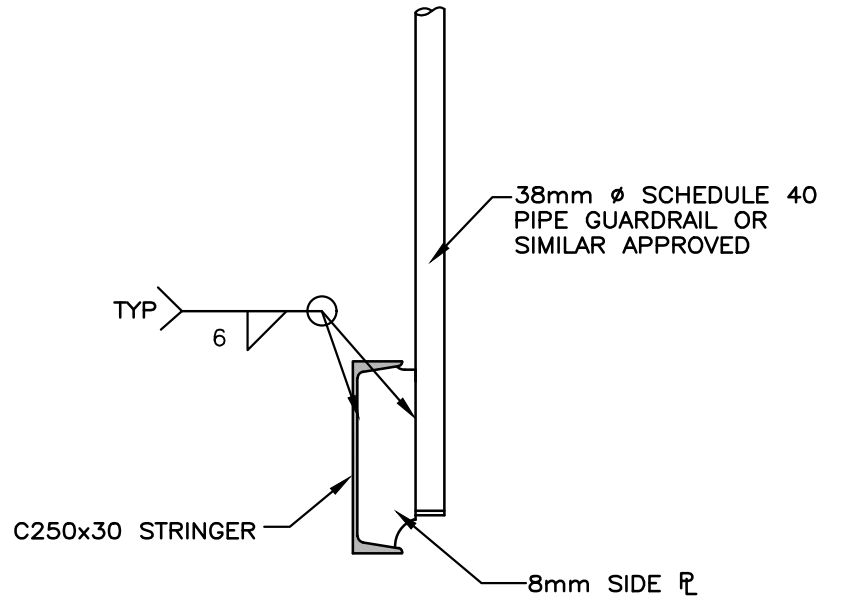
**1 STAIR TREAD DETAIL**  
1.1 SCALE 1:10



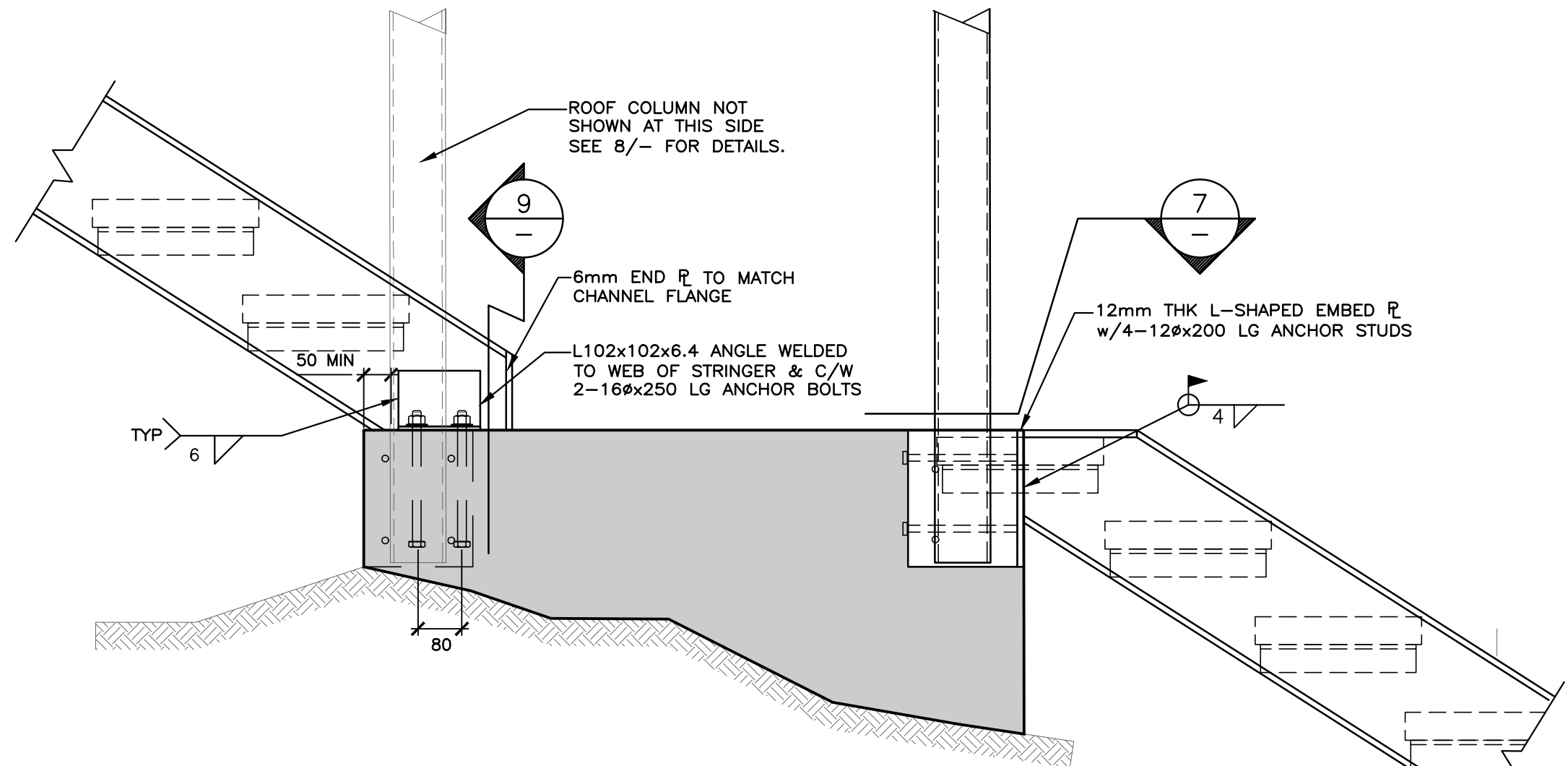
**2 GUARD RAIL AT LANDING**  
1.1 SCALE 1:10



**3 GUARD RAIL AT STAIR**  
1.1 SCALE 1:10

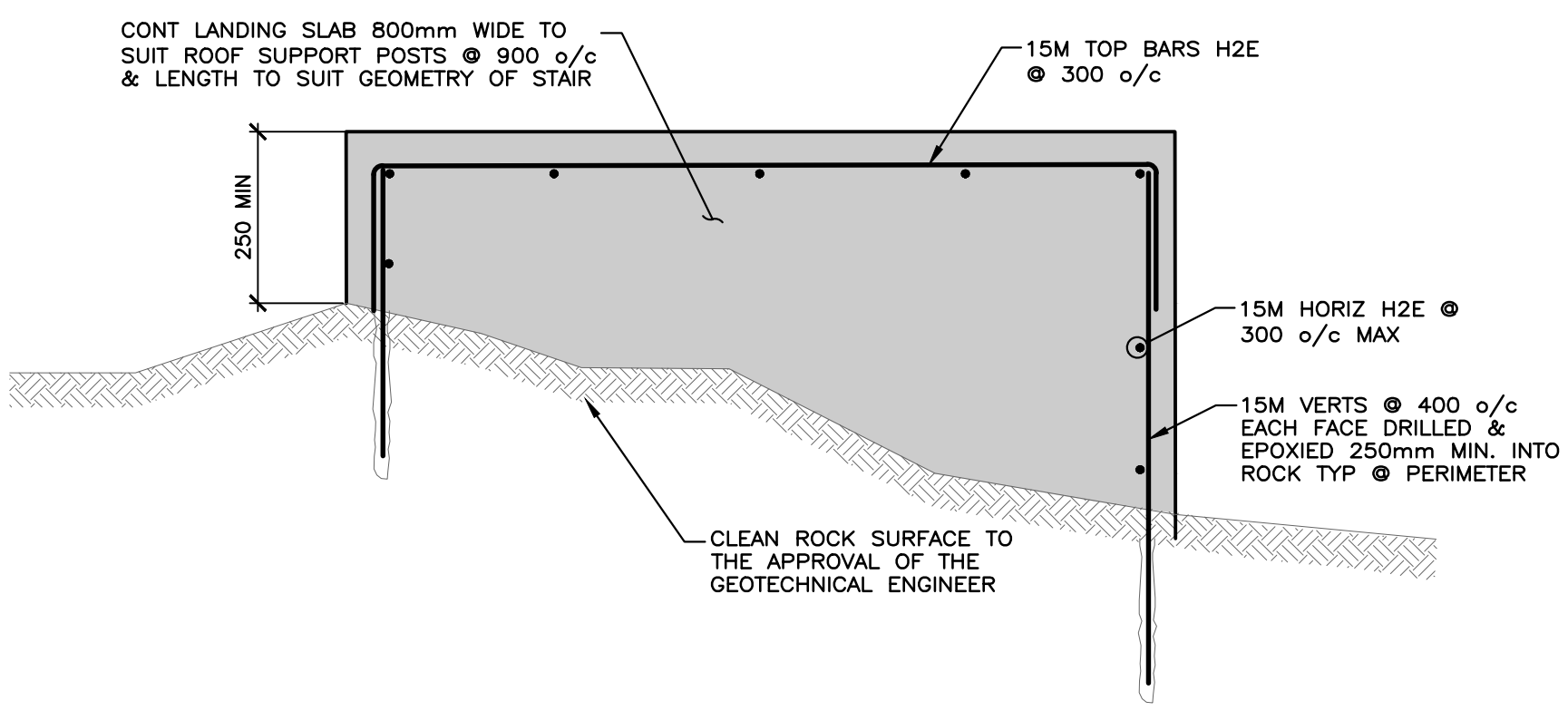


**4 GUARD RAIL**  
SCALE 1:10

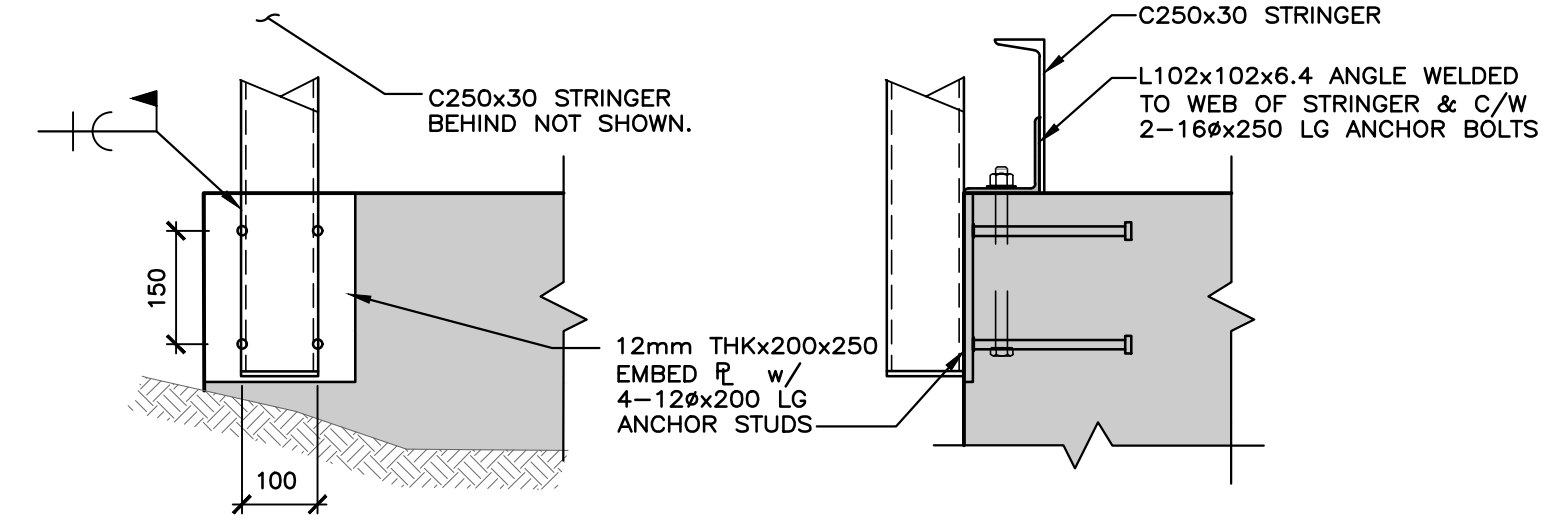


**5 SECTION**  
1.1 SCALE 1:10

NOTE: CAUTION MUST BE TAKEN WHEN SITE WELDING TO EMBED PLATES NOT TO OVER HEAT THEM THAT THEY EXPAND AND SPALL THE CONCRETE.

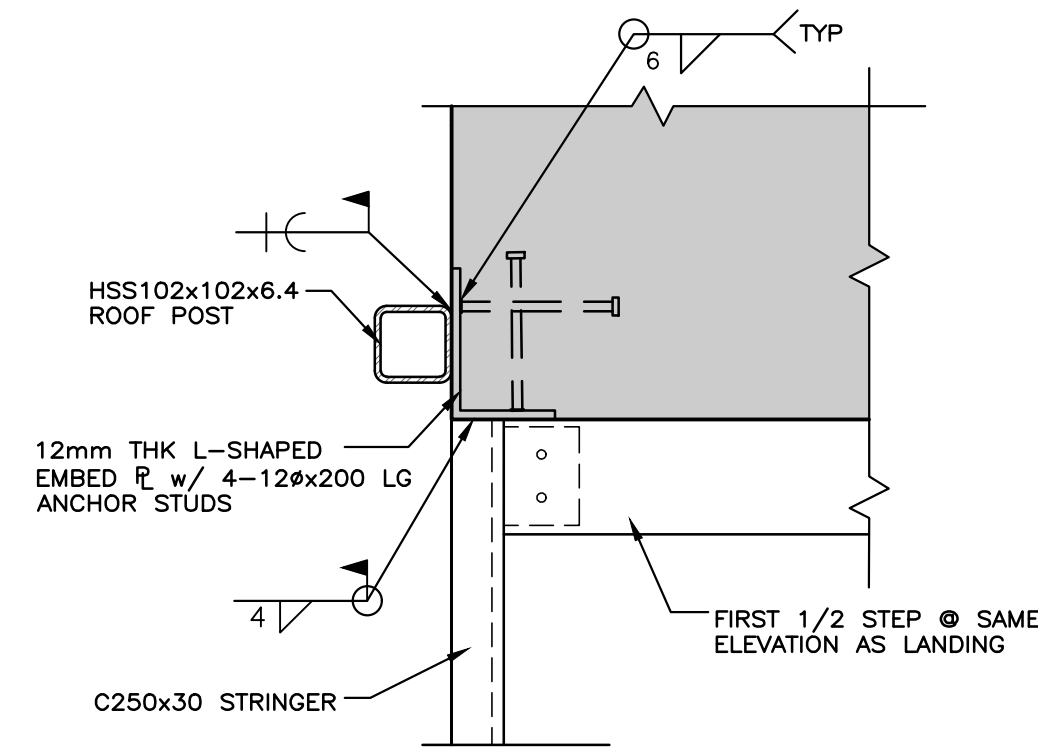


**6 SECTION**  
1.1 SCALE 1:10



**8 ELEVATION**  
SCALE 1:10

**9 SECTION**  
SCALE 1:10



**7 SECTIONAL PLAN**  
S3.2 SCALE 1:10

NOTE: CAUTION MUST BE TAKEN WHEN SITE WELDING TO EMBED PLATES NOT TO OVER HEAT THEM THAT THEY EXPAND AND SPALL THE CONCRETE.

M	S
K	M
M	N
Structural Engineering	

FOR REFERENCE ONLY

DWG. NO. DRAWING REFERENCES

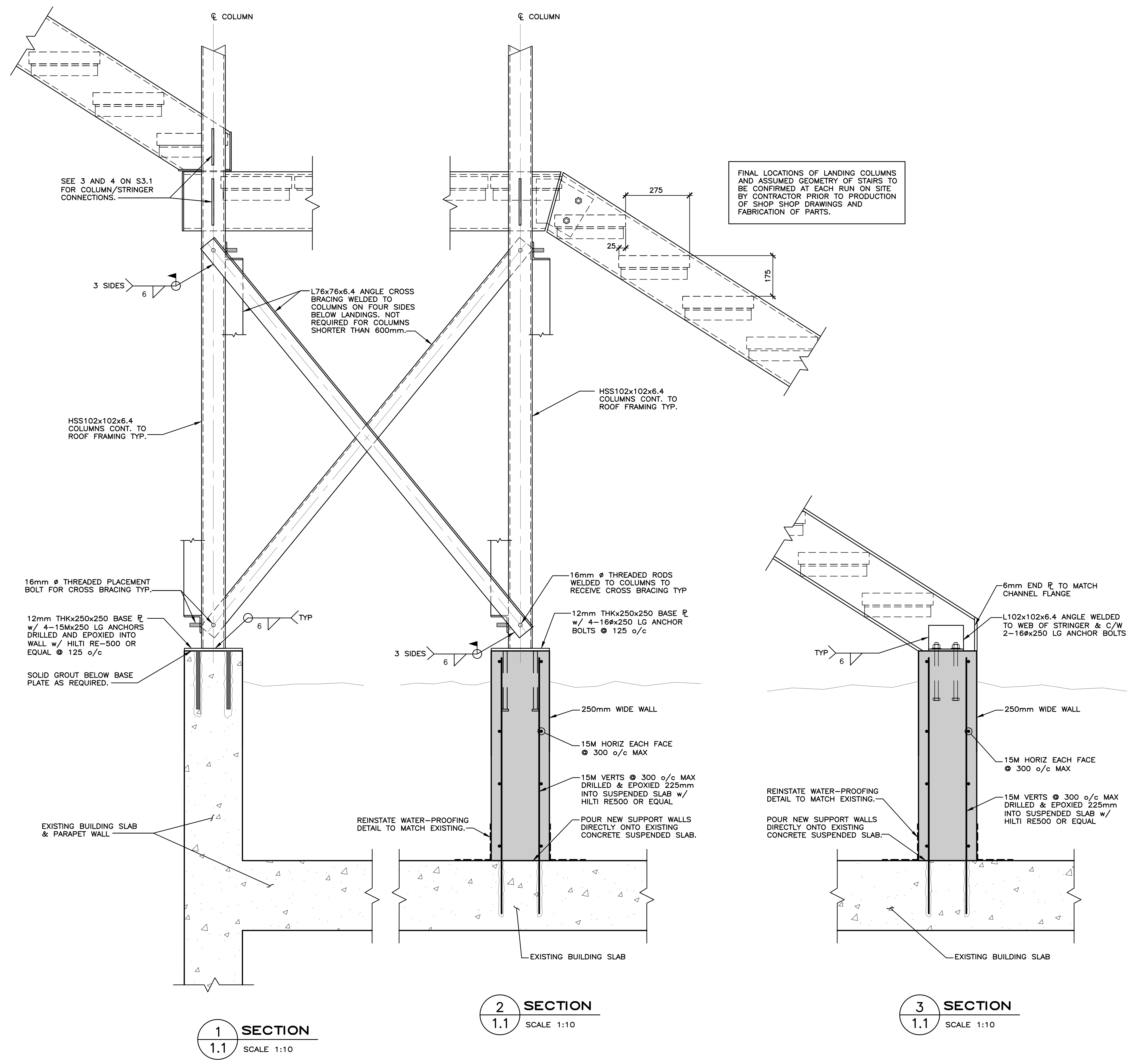
NOTES

NO. DATE REVISIONS

DESIGNED	SD/PWSM
DRAWN	PWSM
CHECKED	
RECOMMENDED	
APPROVED	

FISHERIES AND OCEANS CANADA  
REAL PROPERTY AND SAFETY AND SECURITY  
FULTON RESERVOIR REGULATING BUILDING  
ACCESS STAIR REPLACEMENT  
DETAILS SHEET 2

SCALE	1:10
START DATE	2018-09-01
DRAWING NUMBER	MSE0025 S3.2



1 SECTION  
1.1 SCALE 1:10

2 SECTION  
1.1 SCALE 1:10

3 SECTION  
1.1 SCALE 1:10

FOR REFERENCE ONLY

<b>FISHERIES AND OCEANS CANADA</b> REAL PROPERTY AND SAFETY AND SECURITY		SCALE
		1:10
<b>FULTON RESERVOIR REGULATING BUILDING</b> ACCESS STAIR REPLACEMENT DETAILS SHEET 2		START DATE
		2018-09-01
		DRAWING NUMBER
		MSE0025 S3.3

M   S K   M M   N <small>Structural Engineering</small>	DWG. NO.
	DRAWING REFERENCES

FOR REFERENCE ONLY		
NO.	DATE	REVISIONS
2	2019-04-19	ISSUED FOR TENDER
1	2018-07-30	ISSUED FOR REVIEW

DESIGNED	SD/PWSM
DRAWN	PWSM
CHECKED	
RECOMMENDED	
APPROVED	