



# SPECIFICATION SHEET

Phone: 1-888 – ELECTRO (353-2876) or 613-394-4896

Fax (613) 394-4101 email: sales@electrocables.com

www.electrocables.com QMS Registered to ISO 9001

Date: 27-Jun-18 Rev. 0

**Product Number: 6PESAUS10-12C-V**

600V SIA Power Cable  
 12/C 10/7 AWG SBC  
 XLPE RW90 600V Insulation  
 HMW LLDPE Inner Jacket, with Ribs  
 Galvanized Steel Interlocked Armour  
 HMW LLDPE Outer Jacket, Black  
 Sun Resistant, Direct Burial  
 Temperature Rating -40°C to 90°C WET / 90°C DRY

## General Specification of Product:

<b>Final Diameter :</b>	1.46 inches	37.09 mm
<b>Total Cable Weight :</b>	1375 kg/km	924 lbs/1000 ft
<b>Conductor :</b>	10 AWG 7 Strand Bare Copper per ASTM B3, B8	
<b>Insulation :</b>	.030" Wall XLPE RW90 600V, Black Number Coded, 1 - 12	
<b>Insulated Wire OD :</b>	0.176"	
<b>Inner Jacket :</b>	.080" Wall HMW LLDPE, Black with 8 x 0.1875" tall x 0.125" wide ribs	
<b>Armour :</b>	Galvanized Steel Interlocked Armour	
<b>Outer Jacket :</b>	.060" Wall HMW LLDPE, Black	
<b>Outdoor Rating :</b>	Sunlight Resistant, Direct Burial	

**Certification and Approvals\* :** CSA C22.2 No. 239 ACIC, CSA C22.2 No. 38

**Print Notes :** Sequentially marked in Meters (0 - infinity)

**Standard Print :** ELECTRO CABLES 12/C 10 AWG 600V POWER CABLE  
 90°C WET/90°C DRY XLPE SIA HMW LLDPE DIRECT BURIAL SUN RES  
 MADE IN CANADA 6PESAUS10-12C-V (year of Manufacture, Order #)

## Electrical Characteristics :

DC Resistance 25°C : 1.08 Ohms / 1000 ft

Ampacity 30°C : 28 Amps

## Additional Information :

Maximum Pulling Tension : 1001 lbs / 454 kg

Minimum Bend Radius - Pulling : 26.3 in. / 668 mm

Minimum Bend Radius - Permanent : 17.6 in. / 446 mm

Product Flexibility Rated : Semi-flexible

-40°C Cold Bend Rated

RoHS Compliant

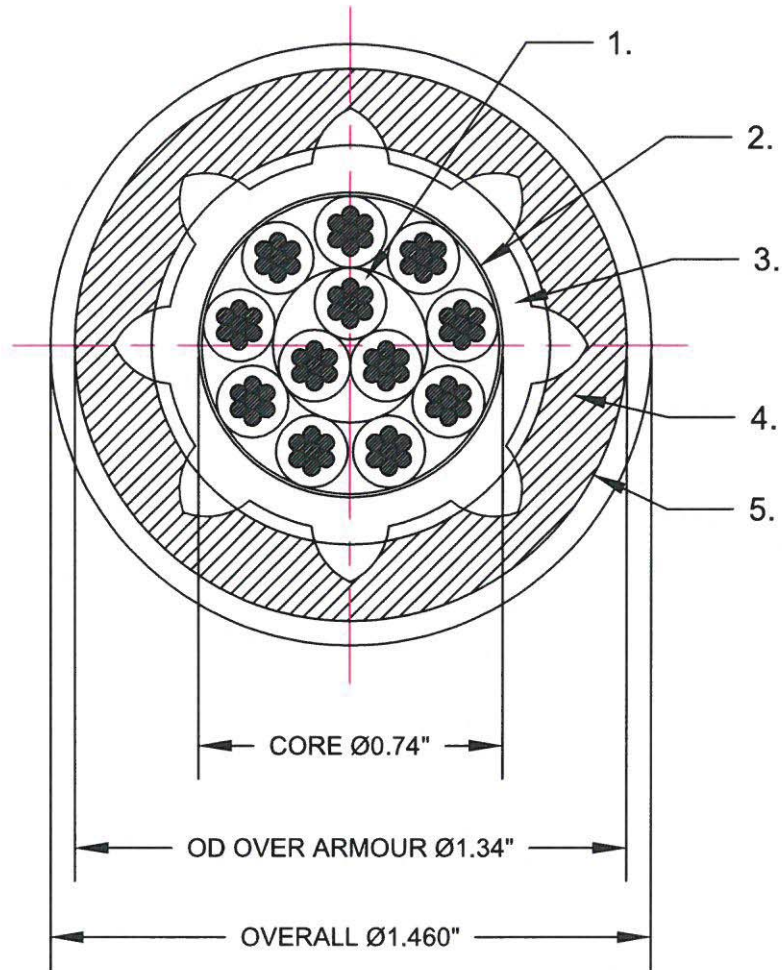
**All Cables are Canadian Made in Ontario**

**QMS Registered ISO 9001**

**Electro Cables Inc. has been manufacturing quality cables for over 30 years.**

*(All of the above values are approximated to within ± 15%)*

Pg 1 of 1



1. 12C x 10 / 7B STRANDED BARE COPPER w/  
30 mil 90°C XLPE INSULATION, BLACK NUMBER CODED 1 - 12
2. SPIRALLY APPLIED RUBBERIZED TAPE
3. 80 mil THICK PRESSURE TOOLED INNER JACKET w/ 8 RIBS - 0.1875" TALL x 0.125"  
WIDE, BLACK HMW LLDPE
4. GALVANIZED STEEL INTERLOCKED ARMOUR
5. 60 mil THICK OUTER JACKET, BLACK HMW LLDPE



NOT TO SCALE

6PESAUS10-12C-V

J. AARSSSEN

12/C 10/7B AWG 600V XLPE SIA HMW LLDPE  
600V CONTROL CABLE

JUNE 27, 2018

REVISION No: 0



# SPECIFICATION SHEET

Phone: 1-888 – ELECTRO (353-2876) or 613-394-4896

Fax (613) 394-4101 email: sales@electrocables.com

www.electrocables.com QMS Registered to ISO 9001

Date: 27-Jun-18 Rev. 0

**Product Number:** 6PES AUS12-25C-18-2-V

600V SIA Composite Control Cable  
 25/C 12/7 AWG Stranded Bare Copper + 1/PR 18/7T AWG Stranded Tinned Copper  
 XLPE RW90 600V Insulation  
 HMW LLDPE Inner Jacket, with Ribs  
 Galvanized Steel Interlocked Armour  
 HMW LLDPE Outer Jacket, Black  
 Sun Resistant, Direct Burial  
 Temperature Rating -40°C to 90°C WET / 90°C DRY

## General Specification of Product:

<b>Final Diameter :</b>	1.67 inches	42.42 mm
<b>Total Cable Weight :</b>	2792 kg/km	1877 lbs/1000 ft
<b>Conductor :</b>	12 AWG 7 Strand Bare Copper per ASTM B3, B8	
<b>Insulation :</b>	0.030" Wall XLPE RW90 600V, Black Number Coded, 1 - 25	
<b>Insulated Wire OD :</b>	0.151"	

## Twisted Pair:

<b>Conductor:</b>	18 AWG 7 Strand Bare Copper per ASTM B3, B8 & B33
<b>Insulation :</b>	0.030" Wall XLPE RW90 600V, Black and White Coded
<b>Insulated Wire OD :</b>	0.108"
<b>Shield/Drain:</b>	Aluminum / Mylar Tape w/ 20 AWG 7 Strand Tinned Copper per ASTM B3, B8 & B33
<b>Jacket:</b>	Min. .050" Wall, HMW LLDPE, Black
<b>Inner Jacket :</b>	.080" Wall HMW LLDPE, Black with 8 x 0.1875" tall x 0.125" wide ribs
<b>Armour :</b>	Galvanized Steel Interlocked Armour
<b>Outer Jacket :</b>	.060" Wall HMW LLDPE, Black
<b>Outdoor Rating :</b>	Sunlight Resistant, Direct Burial

<b>Certification and Approvals* :</b>	CSA C22.2 No. 239 ACIC, CSA C22.2 No. 38
<b>Print Notes :</b>	Sequentially marked in Meters (0 - infinity)
<b>Standard Print :</b>	ELECTRO CABLES 25/C 12 AWG + 1/PR 18 AWG 600V COMPOSITE CONTROL CABLE 90°C WET/90°C DRY XLPE SIA HMW LLDPE DIRECT BURIAL SUN RES MADE IN CANADA 6PES AUS12-25C-18-2-V (year of Manufacture, Order #)

## Electrical Characteristics :

<b>DC Resistance 25°C :</b>	1.72 Ohms / 1000 ft (12 awg) , 7.36 Ohms / 1000 ft (18 awg)
-----------------------------	-------------------------------------------------------------

## Additional Information :

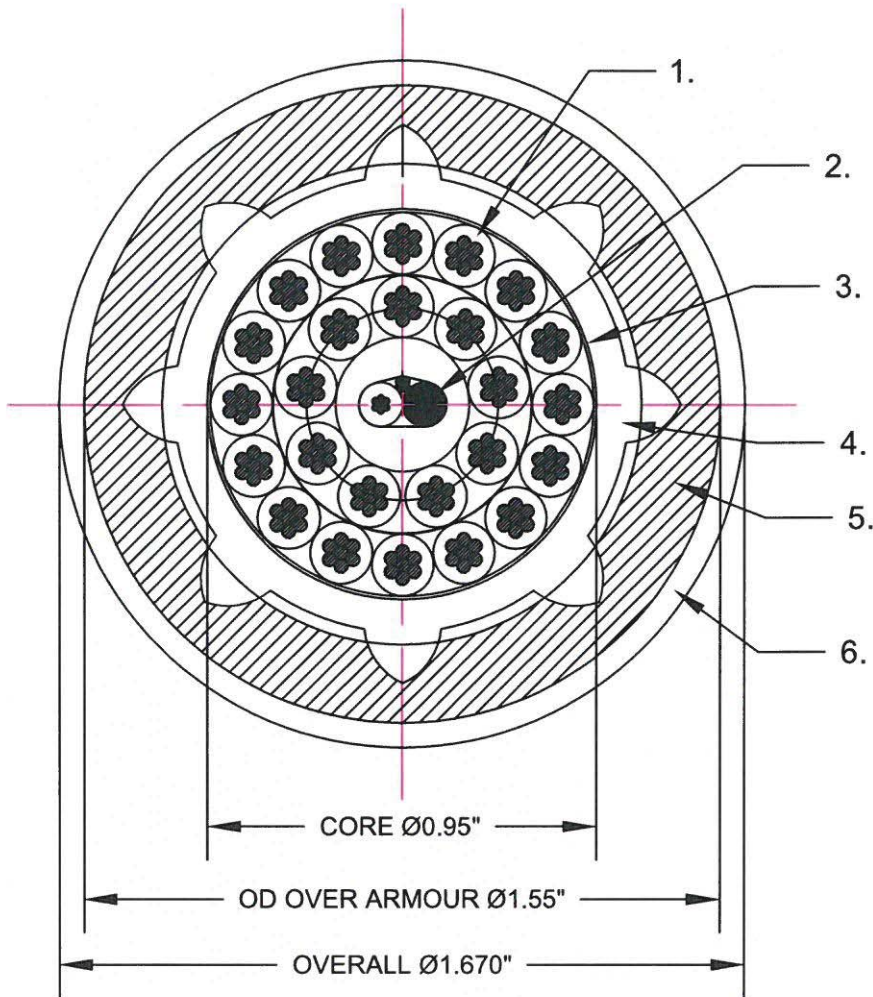
<b>Maximum Pulling Tension :</b>	1300 lbs / 590 kg
<b>Minimum Bend Radius - Pulling :</b>	30.1 in. / 764 mm
<b>Minimum Bend Radius - Permanent :</b>	20.1 in. / 510 mm
<b>Product Flexibility Rated :</b>	Semi-flexible

-40°C Cold Bend Rated

RoHS Compliant

**All Cables are Canadian Made in Ontario**

**QMS Registered ISO 9001**



1. 25C x 12 / 7B STRANDED BARE COPPER w/ 30 mil 90°C XLPE INSULATION, BLACK NUMBER CODED 1 - 25
2. 1 PR 18 / 7T STRANDED TINNED COPPER w/ 30 mil 90°C XLPE INSULATION, ALUMINUM / MYLAR TAPE SHIELD w/ 20 / 7T STRANDED TIN COPPER DRAIN PRESSURE TOOLED JACKET MIN 50 mil THICK HMW LLDPE JACKET
3. SPIRALLY APPLIED RUBBERIZED TAPE
4. 80 mil THICK PRESSURE TOOLED INNER JACKET w/ 8 RIBS - 0.1875" TALL x 0.125" WIDE, BLACK HMW LLDPE
5. GALVANIZED STEEL INTERLOCKED ARMOUR
6. 60 mil THICK OUTER JACKET, BLACK HMW LLDPE



NOT TO SCALE

6PESAUS12-25C-18-2-V

J. AARSSSEN

25/C 12/7B AWG + 1/PR 18/7T AWG OS 600V XLPE  
SIA HMW LLDPE 600V CONTROL CABLE

JUNE 27, 2018

REVISION No: 0