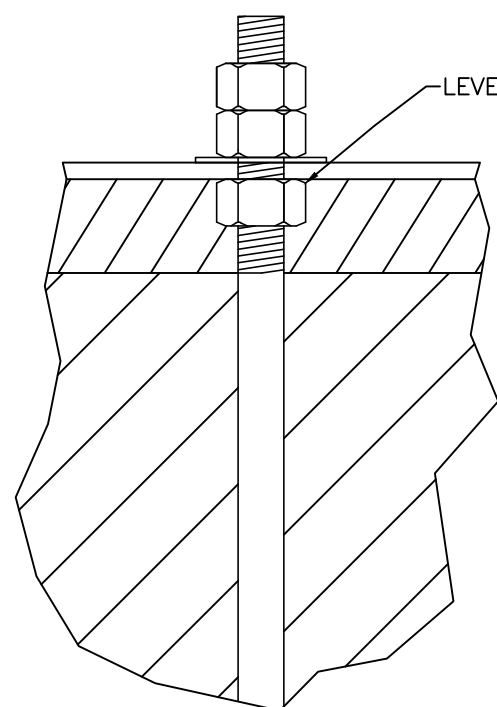


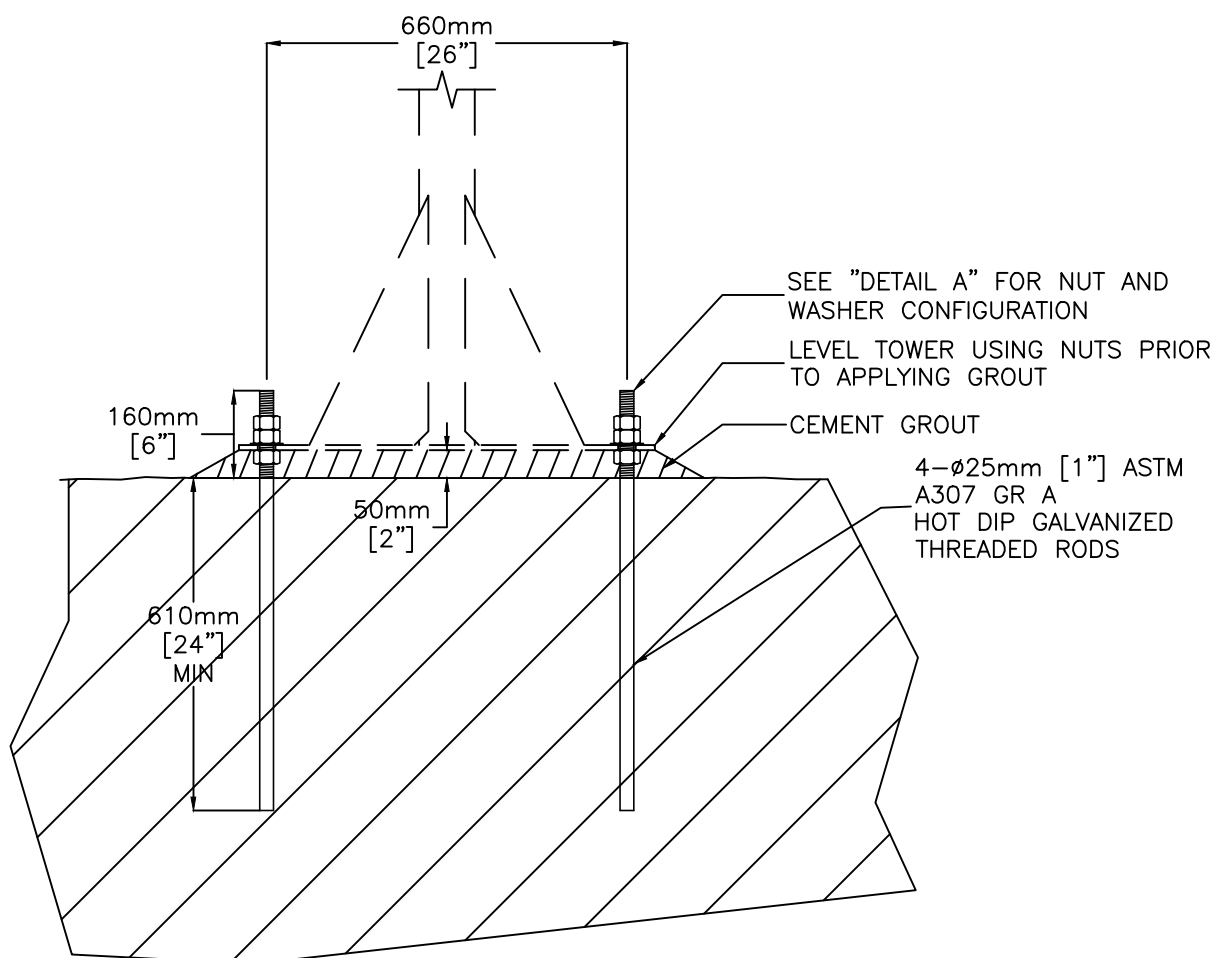
Vendor / Sous-traitant

NOTES:

- LOCATE INSTALLATION LOCATION AS PER CONFIRMATION BY COAST GUARD
- USING PLYWOOD TEMPLATE, DRILL 4- ϕ 1-1/8" HOLES
- CLEAN ALL HOLES AND REMOVE ANY LOOSE MATERIALS
- INJECT HILTI RE 500 V3 EPOXY ADHESIVE TO COVER 3/4TH TO 7/8TH THE DEPTH OF EACH HOLE
- PLACE 4- ϕ 25MM [1"] ASTM A307 GR A GALVANIZED THREADED RODS IN HOLES IMMEDIATELY AFTER EPOXY INJECTION
- USE LEVELING NUT AS NOTED IN DETAIL A TO INSURE THE TOWER IS PLUMB
- UPON COMPLETION OF INSTALLATION, CUT ANY EXCESS THREADS EXTENDING 25MM BEYOND TOP NUT, AND COLD-GALV SPRAY 2 COATS ON EXPOSED END OF ROD
- GROUT - SIKA M-BED OR APPROVED ALTERNATE
- ROCK AT TOWER LOCATION WILL NOT BE LEVEL AS SHOWN. AS SUCH, THE CONTRACTOR SHALL MAKE CONSIDERATIONS TO ACCOMMODATE THE ROCK SLOPE. BARS SHALL NOT BE PRE-CUT TO THE MINIMUM 30 INCHES SHOWN (24+6)
- IF A VOID IS ENCOUNTERED IN THE DRILLED HOLE, THE HOLE WILL BE DRILLED UNTIL A COMBINED 24 INCHES OF SOLID ROCK HAS BEEN ENCOUNTERED
- THIS DRAWING APPLIES ONLY TO THE INSTALLATIONS NOTED UNDER "ASSET"



DETAIL A:
COMPLETE WITH 3 NUTS
AND 1 WASHER



0	DESCRIPTION	BY	yyyy-mm-dd
rev	description	by	date

Asset - Actif			
TOWER ANCHORING			
LL1027, LL1028, LL1028.5, LL1029, LL1029.5			

Drawing - Dessin			
TOWER ROCK ANCHOR DETAILS			

designed - conception	date
BH	2019-06-27
drawn - dessiné	date
BH	2019-06-27
checked - vérifié	date
BH	2019-06-27
approved - approuvé	date
BY	2019-06-28

CCG ref. no. - no. réf. GCC	scale - échelle
EWTM 8010-1027000	N.T.S
drawing no. - no. dessin	sheet-feuille
F2563-190036	01/01
	rev
	0

C

B

A

F2563-190036

4

3

0 millimeters 1

2

3

5

6

7

8

millimeters

2

1