



Fisheries and Oceans  
Canada

Pêches et Océans  
Canada

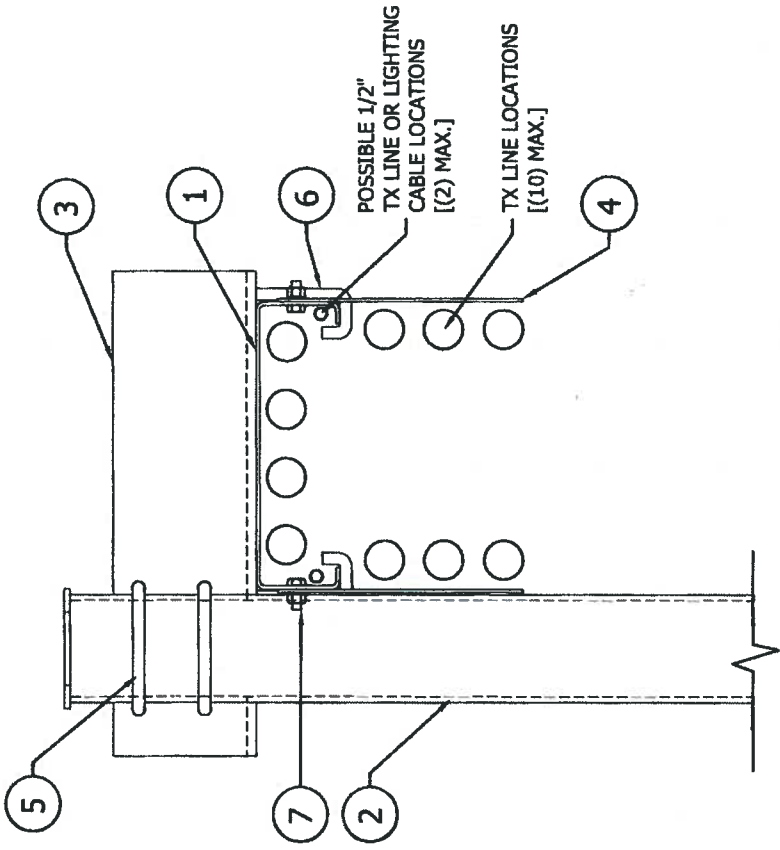
Canadian  
Coast Guard

Garde côtière  
canadienne

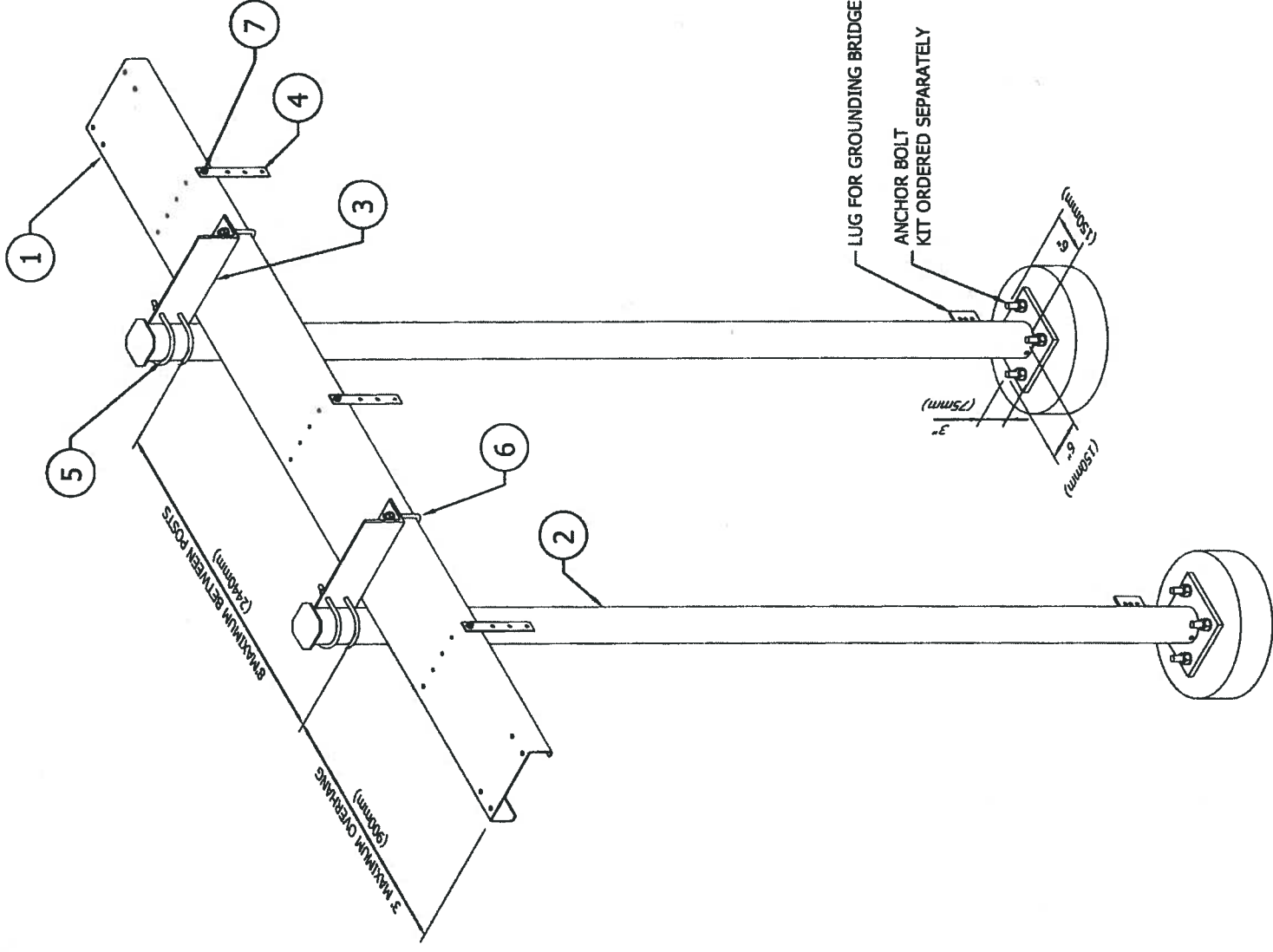


## APPENDIX B3: DRAWINGS

BILL OF MATERIAL KIT #STB001-S			
ITEM QTY.	PART NO.	DESCRIPTION	Wt./lb
1	91171B	SAMSON CHANNEL 12" @ 5/32" x 10'	115#
2	91166F2	HSS 4 1/2" OD x 11' WELDT	226#
3	TX001A	BRACE ARM L 6x4x3/8"	40#
4	91171C	PL. 1 1/2" x 1/8"	6#
5	110260	1/2" U-BOLTS @ 5 1/16" c/c	
6	111041	1/2" SQUARE J-BOLTS	
7	110459	3/8" x 1" GR. 5 BOLT ASSY	
		TOTAL	390#



**END VIEW**



**NOTE:**

WHEN DETERMINING END OVERHANG, CONSIDER LOCATION OF EXISTING TOWER AND BUILDING FOUNDATION.



Fisheries and Oceans  
Canada

Pêches et Océans  
Canada

Canadian Coast Guard  
Central & Arctic Region

Garde côtière canadienne  
Région du centre et de l'Arctique

Maritime and Civil Infrastructure (MCI), Integrated Technical Services  
520 Exmouth St., Sarnia, ON N7T 8B1

# WAVE GUIDE DRAWING TYPICAL DETAILS POST AND WAVE GUIDE TRAY

FILE No.: EWT 8055 -000

SCALE: N.T.S.

DWG No. T-01

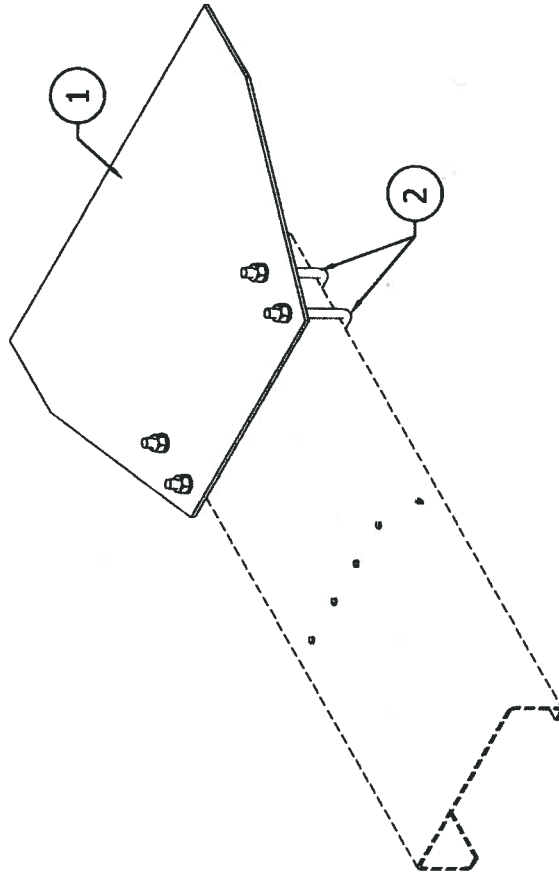
Rv. DATE DESCRIPTION

O 19-06-12 DRAWING INITIATED.

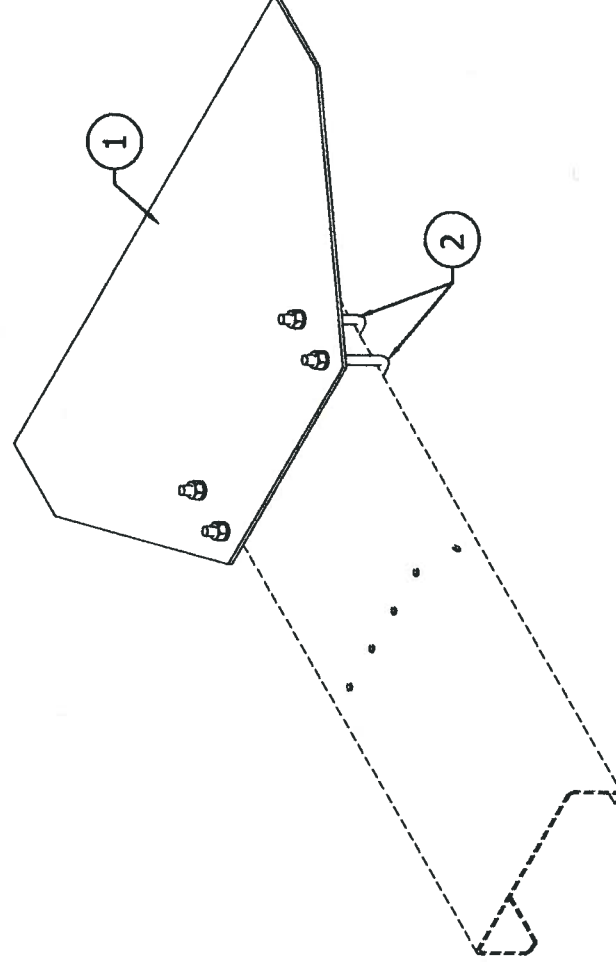
DRAWN APP'D

R.C.S.

BILL OF MATERIAL KIT #STB006-C				
ITEM	QTY.	PART NO.	DESCRIPTION	Wt./lb
1	1	TB006A1	PL. 2"x1/4" (460x6x30mm)	27#
2	4	111041	1/2" SQUARE J-BOLTS	



BILL OF MATERIAL KIT #STB006-D				
ITEM	QTY.	PART NO.	DESCRIPTION	Wt./lb
1	1	TB006B1	PL. 3"x1/4" (460x6x40mm)	34#
2	4	111041	1/2" SQUARE J-BOLTS	



Fisheries and Oceans  
Canada

Canadian Coast Guard  
Central & Arctic Region

Maritime and Civil Infrastructure (MCI), Integrated Technical Services  
520 Exmouth St., Sarnia, ON N7T 8B1

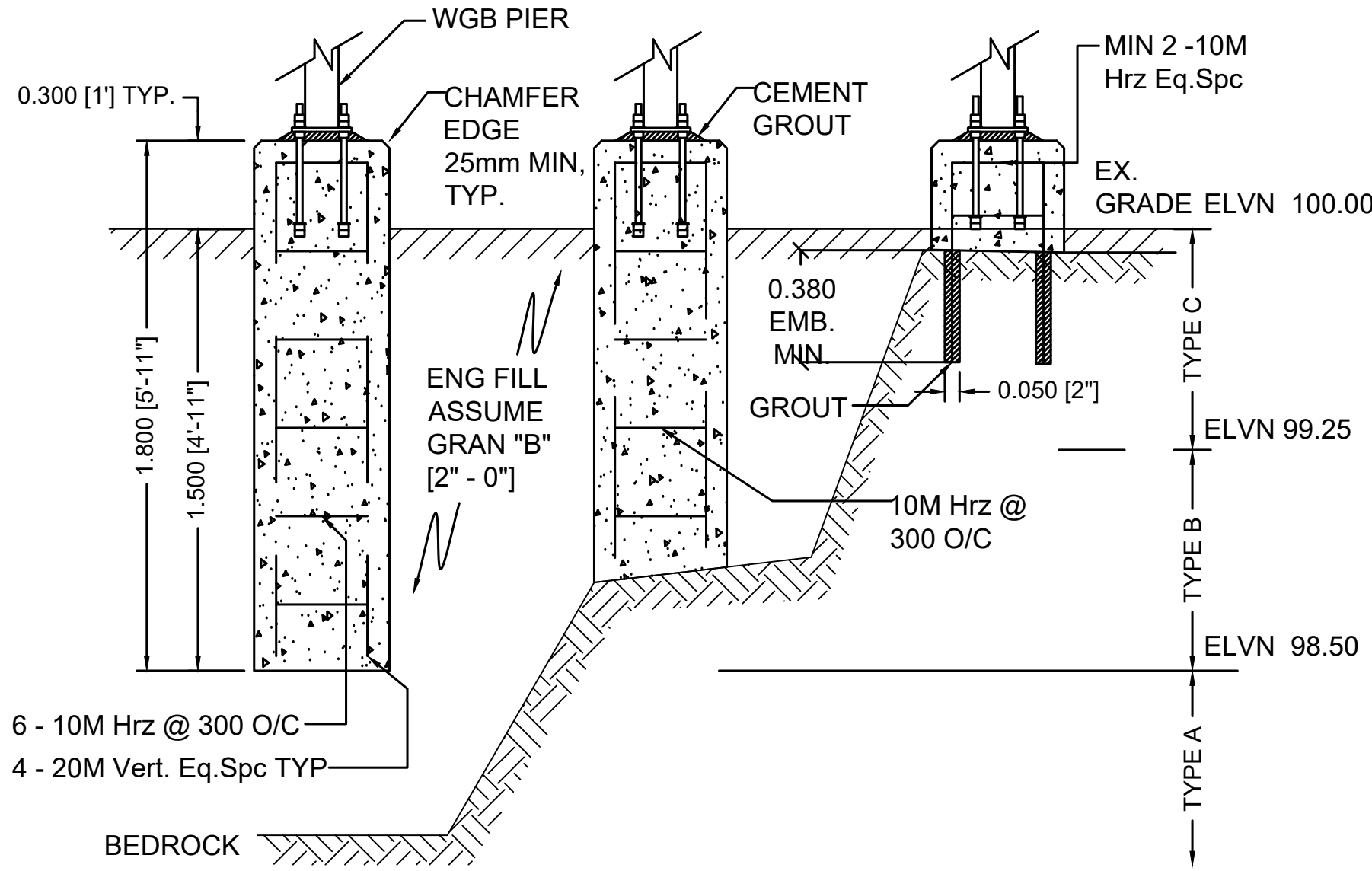
Pêches et Océans  
Canada

Garde côtière canadienne  
Région du centre et de l'Arctique

## WAVE GUIDE DRAWINGS TYPICAL DETAILS WAVE GUIDE TRAY DETAILS

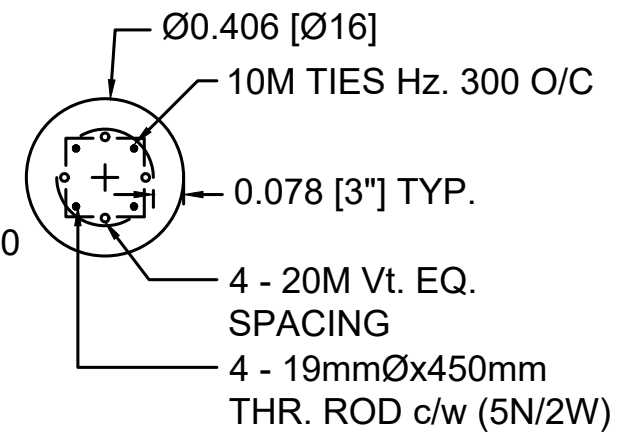
FILE No.:		EWT 8055-000	SCALE:	N.T.S.	DWG No.	T-02
Rv.	DATE	DESCRIPTION	DRAWN APP'D			
O	19-06-12	DRAWING INITIATED.				R.C.S.

# PROFILE VIEW



# CABLEWAVE GUIDE PIERS

# PLAN VIEW




### Notes:

Piers shall be cast to a depth of 1.5m below ex. grade (Type A). Where bedrock is encountered at an elevation of less than 1.5m the configuration of the pier shall be amended to Type B or C depending upon the depth to bedrock.

Reinforcement: Deformed bars as per CSA G30.18 M92, Fy 400 Mpa. Fabrication, placement, cover, and support as per CSA A23.

Grout: SIKA MBED or equal

	Fisheries and Oceans Canada	Pêches et Océans Canada
	Canadian Coast Guard Central & Arctic Region	Garde côtière canadienne Région du centre et de l'Arctique
	Maritime and Civil Infrastructure (MCI), Integrated Technical Services 520 Exmouth St., Sarnia, ON N7T 8B1	

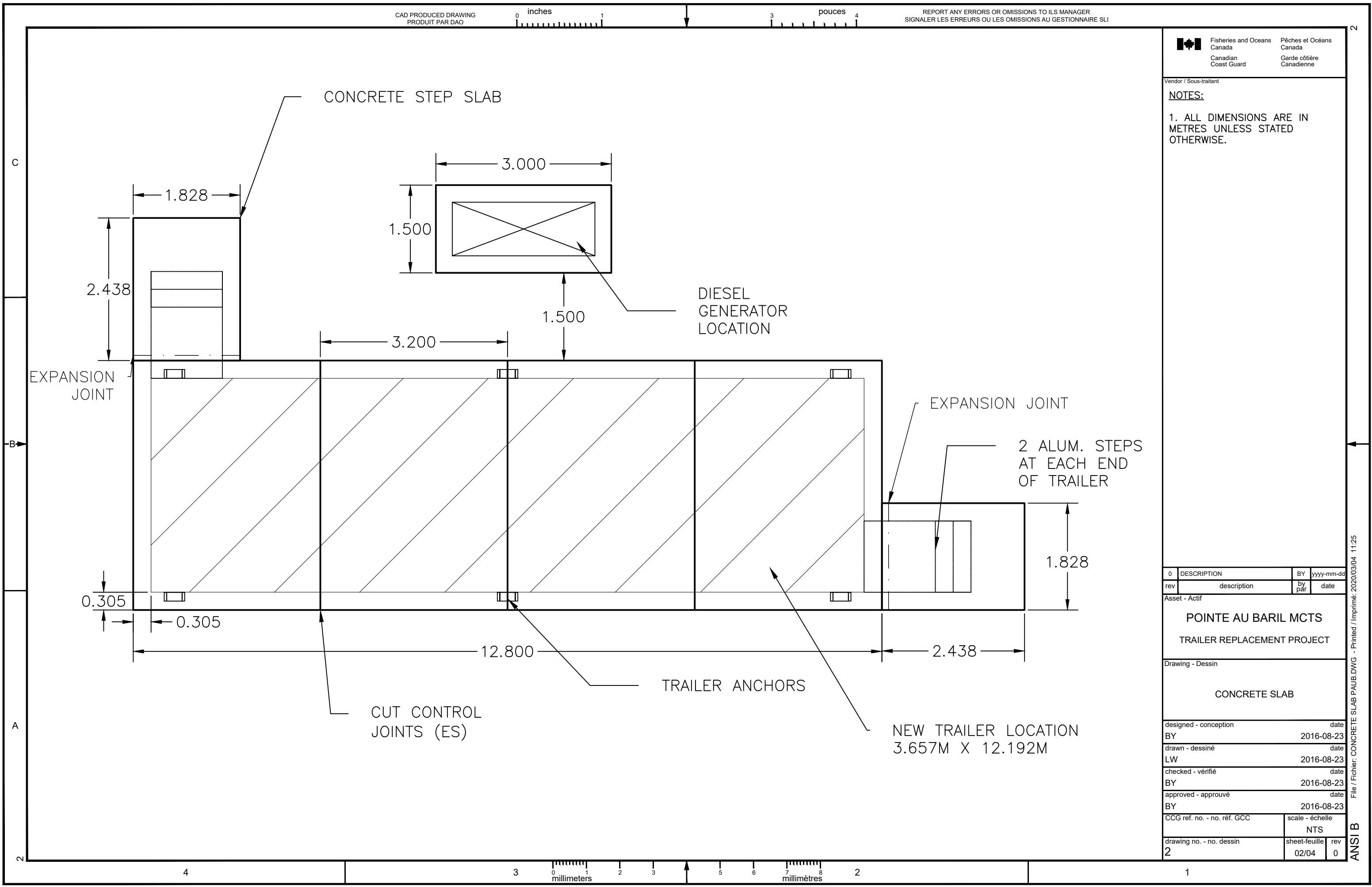
## POINT AU BARIL WAVE GUIDE POST FOUNDATIONS

FILE No.:	EWA- 8010-020-0313	SCALE:	N.T.S.	DWG No.:	C-01
Rv.	DATE	DESCRIPTION	DRAWN	APP'D	
O	DD MAR YY	DRAWING INITIATED.	R.C.S.	R.C.S.	

Vendor / Sous-traitant

**NOTES:**

1. ALL DIMENSIONS ARE IN METRES UNLESS STATED OTHERWISE.



0	DESCRIPTION	BY	yyyy-mm-dd
rev	description	by	date
Asset - Actif			
<b>POINTE AU BARIL MCTS</b>			
TRAILER REPLACEMENT PROJECT			
Drawing - Dessin			
<b>CONCRETE SLAB</b>			
designed - conception		date	
BY		2016-08-23	
drawn - dessiné		date	
LW		2016-08-23	
checked - vérifié		date	
BY		2016-08-23	
approved - approuvé		date	
BY		2016-08-23	
CCG ref. no. - no. réf. GCC		scale - échelle	
		NTS	
drawing no. - no. dessin	sheet-feuille	rev	
2	02/04	0	

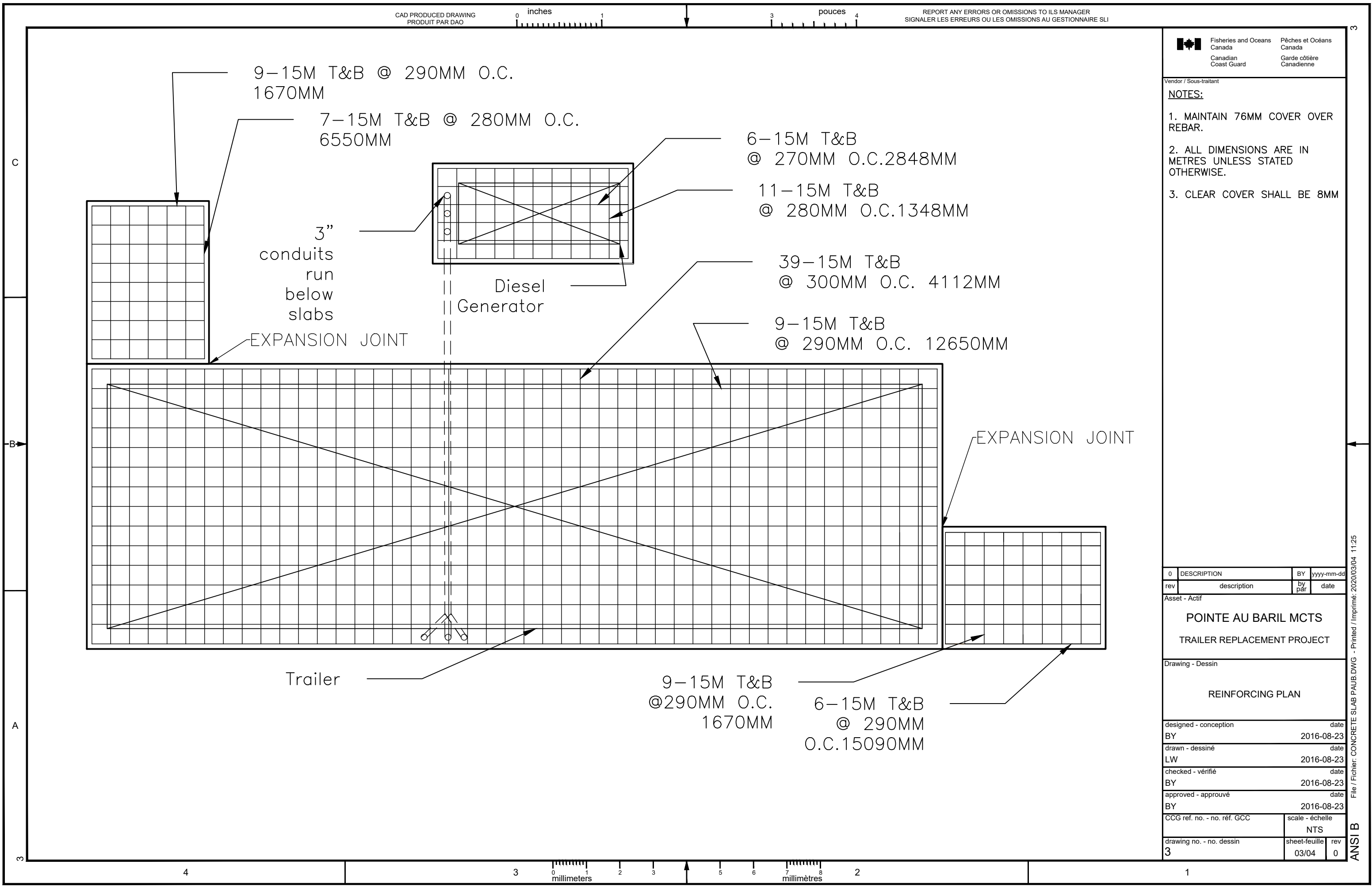
File / Fichier: CONCRETE SLAB PAUB.DWG - Printed / Imprimé: 2020/03/04 11:25

ANSI B

Vendor / Sous-traitant

**NOTES:**

1. MAINTAIN 76MM COVER OVER REBAR.
2. ALL DIMENSIONS ARE IN METRES UNLESS STATED OTHERWISE.
3. CLEAR COVER SHALL BE 8MM



0	DESCRIPTION	BY	yyyy-mm-dd
rev	description	by	date
Asset - Actif			
<b>POINTE AU BARIL MCTS</b>			
TRAILER REPLACEMENT PROJECT			
Drawing - Dessin			
<b>REINFORCING PLAN</b>			
designed - conception		date	
BY		2016-08-23	
drawn - dessiné		date	
LW		2016-08-23	
checked - vérifié		date	
BY		2016-08-23	
approved - approuvé		date	
BY		2016-08-23	
CCG ref. no. - no. réf. GCC		scale - échelle	
		NTS	
drawing no. - no. dessin	sheet-feuille	rev	
3	03/04	0	

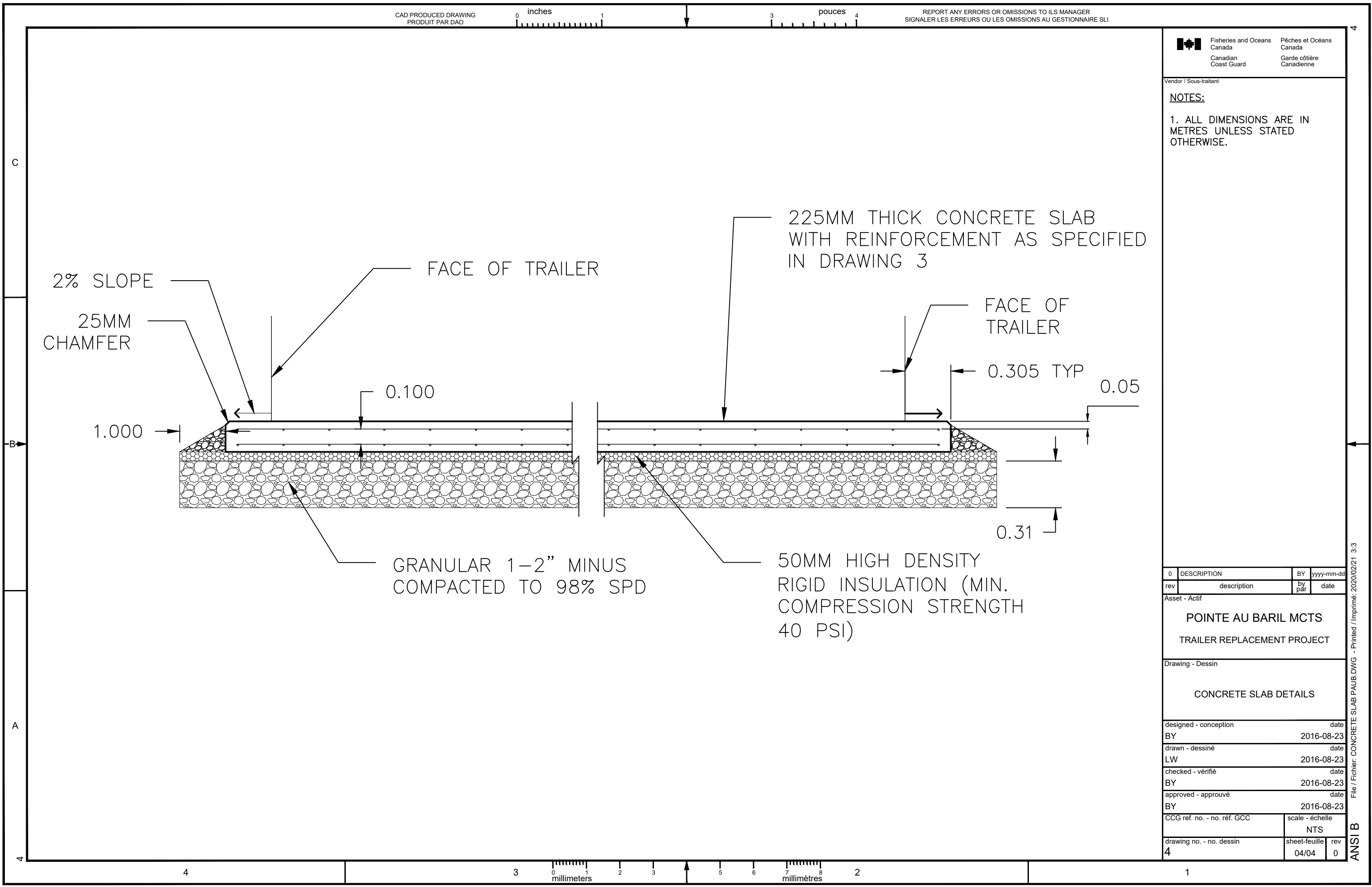
File / Fichier: CONCRETE SLAB PAUB.DWG - Printed / Imprimé: 2020/03/04 11:25

ANSI B

Vendor / Sous-traitant

**NOTES:**

1. ALL DIMENSIONS ARE IN METRES UNLESS STATED OTHERWISE.



0	DESCRIPTION	BY	yyyy-mm-dd
rev	description	by	date

Asset - Actif

**POINTE AU BARIL MCTS**  
TRAILER REPLACEMENT PROJECT

Drawing - Dessin

**CONCRETE SLAB DETAILS**

designed - conception	date
BY	2016-08-23
drawn - dessiné	date
LW	2016-08-23
checked - vérifié	date
BY	2016-08-23
approved - approuvé	date
BY	2016-08-23

CCG ref. no. - no. réf. GCC	scale - échelle
	NTS

drawing no. - no. dessin	sheet-feuille	rev
4	04/04	0

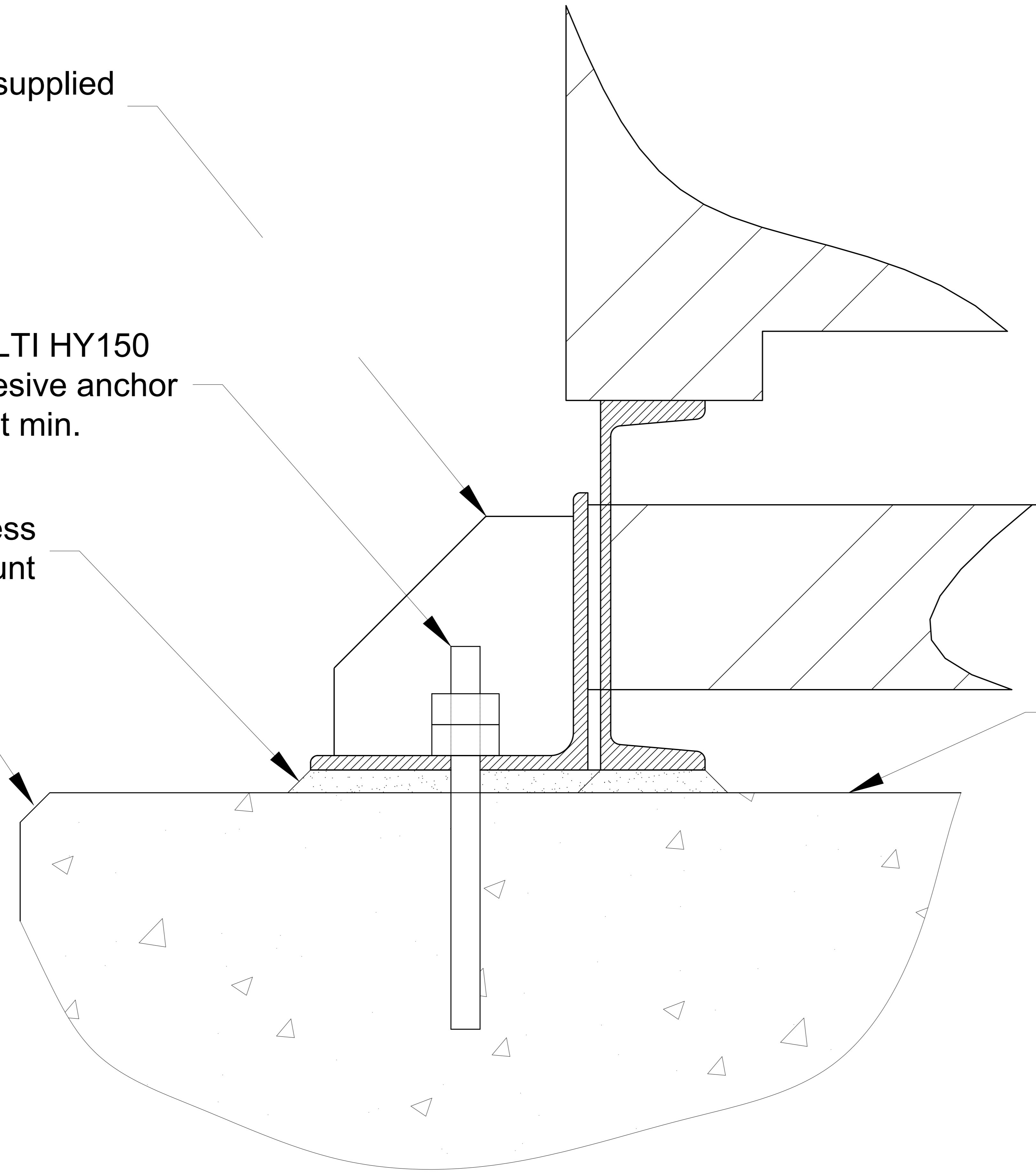
Anchorage weldment supplied by Coast Guard

2 x 16mm Diam.HILTI HY150 stainless steel adhesive anchor 130mm embedment min.

25mm thickness level and grout

25mm Chamfer all around

Concrete slab on grade.



0	Original	LW	2019-07-29
rev	description	by	date
Asset - Actif			
POINTE AU BARIL MCTS SITE			
TRAILER REPLACEMENT PROJECT			
Drawing - Dessin			
TELECOM BUILDING ANCHORAGE DETAIL			
designed - conception		date	
R.C.S.		2019-07-29	
drawn - dessins		date	
LUKE WHITTEKER		YYYY-MM-DD	
checked - vérifié		date	
CHECKED BY		YYYY-MM-DD	
approved - approuvé		date	
APPROVED BY		YYYY-MM-DD	
CCG ref. no. - no. ref. GCG		scale - échelle	
REF NO / PROJ NO / FILE NO		NTS	
drawing no. - no. dessin		sheet-feuille	rev/rev
DWG NO - NO DESSIN	01/01		0



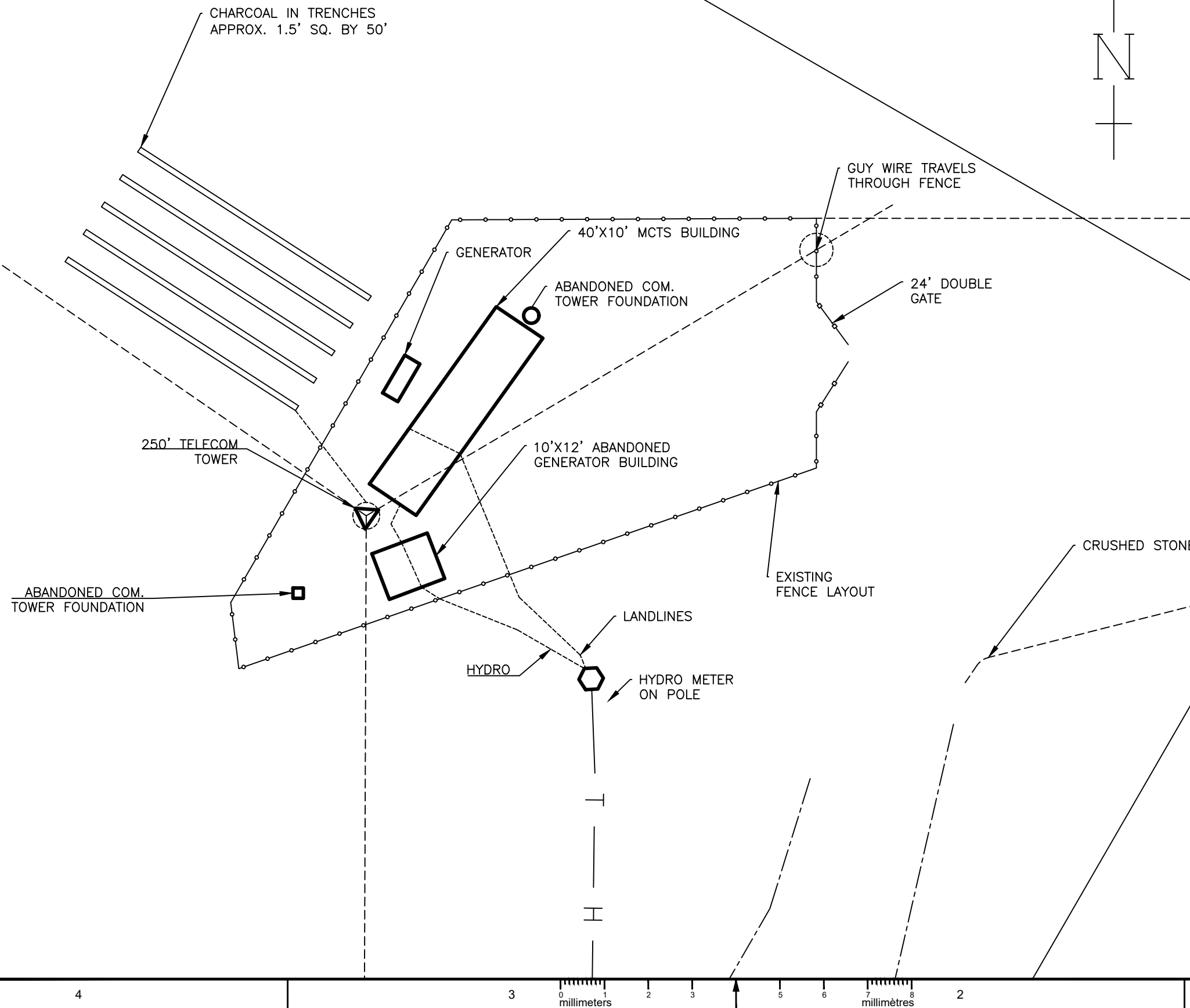
Vendor / Sous-traitant

C

B

A

10



0	ORIGINAL	LW	2019-07-29
rev	description	by	date

Asset - Actif

**POINTE AU BARIL MCTS SITE**  
TRAILER REPLACEMENT PROJECT

Drawing - Dessin

**SITE LAYOUT: EXISTING**

designed - conception	date
DESIGNED	2019-07-29
drawn - dessiné	date
DRAWN	2019-07-29
checked - vérifié	date
CHECKED	DJ 2019-07-29
approved - approuvé	date
APPROVED	BY 2019-07-29

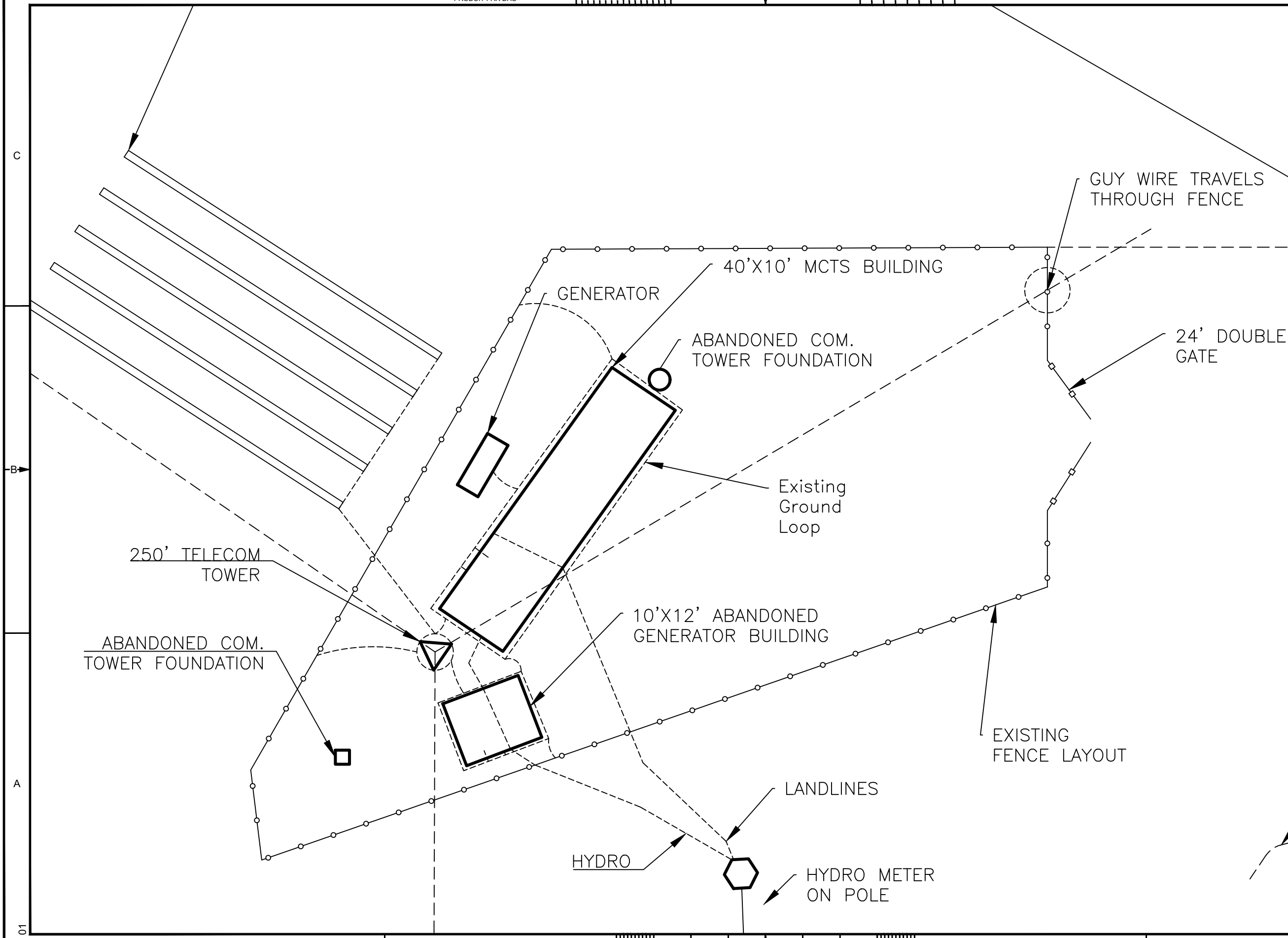
CCG ref. no. - no. réf. GCC	scale - échelle
8055-244	NTS

drawing no. - no. dessin	sheet-feuille	rev
01	01/01	0

File / Fichier: SITE LAYOUT.0G.DWG - Printed / Imprimé: 2020/03/03 3:19

ANSI B

Vendor / Sous-traitant



0	ORIGINAL	LW	2019-07-29
rev	description	by	date
Asset - Actif			
POINTE AU BARIL MCTS SITE			
TRAILER REPLACEMENT PROJECT			
Drawing - Dessin			
SITE LAYOUT: EXISTING GROUNDING			
designed - conception			date
DESIGNED			2019-07-29
drawn - dessiné			date
DRAWN			2019-07-29
checked - vérifié			date
CHECKED	DJ		2019-07-29
approved - approuvé			date
APPROVED	BY		2019-07-29
CCG ref. no. - no. réf. GCC	scale - échelle		
8055-244	NTS		
drawing no. - no. dessin	sheet-feuille	rev	
01	01/01	0	

File / Fichier: SITE LAYOUT OG-GROUND.DWG - Printed / Imprimé: 2020/03/03 3:19

ANSI B

C

B

A

10

4

3

0

1

2

3

5

6

7

8

2

1

Vendor / Sous-traitant

C

B

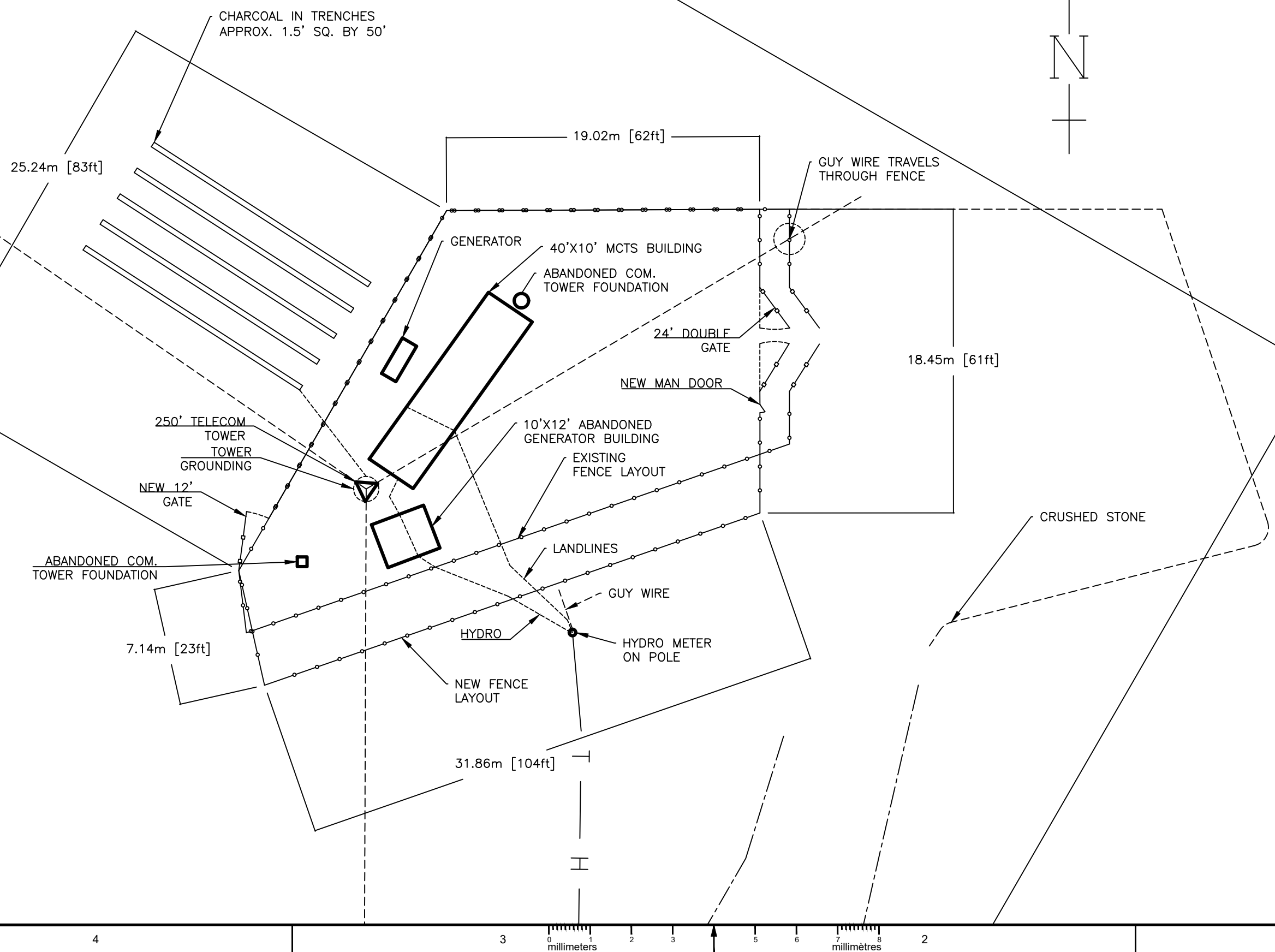
A

10

01

File / Fichier: SITE LAYOUT\_STAGE 1.DWG - Printed / Imprimé: 2020/03/03 3:17

ANSI B



rev	description	by	date
0	ORIGINAL	LW	2019-07-29

Asset - Actif  
**POINTE AU BARIL MCTS SITE**  
TRAILER REPLACEMENT PROJECT

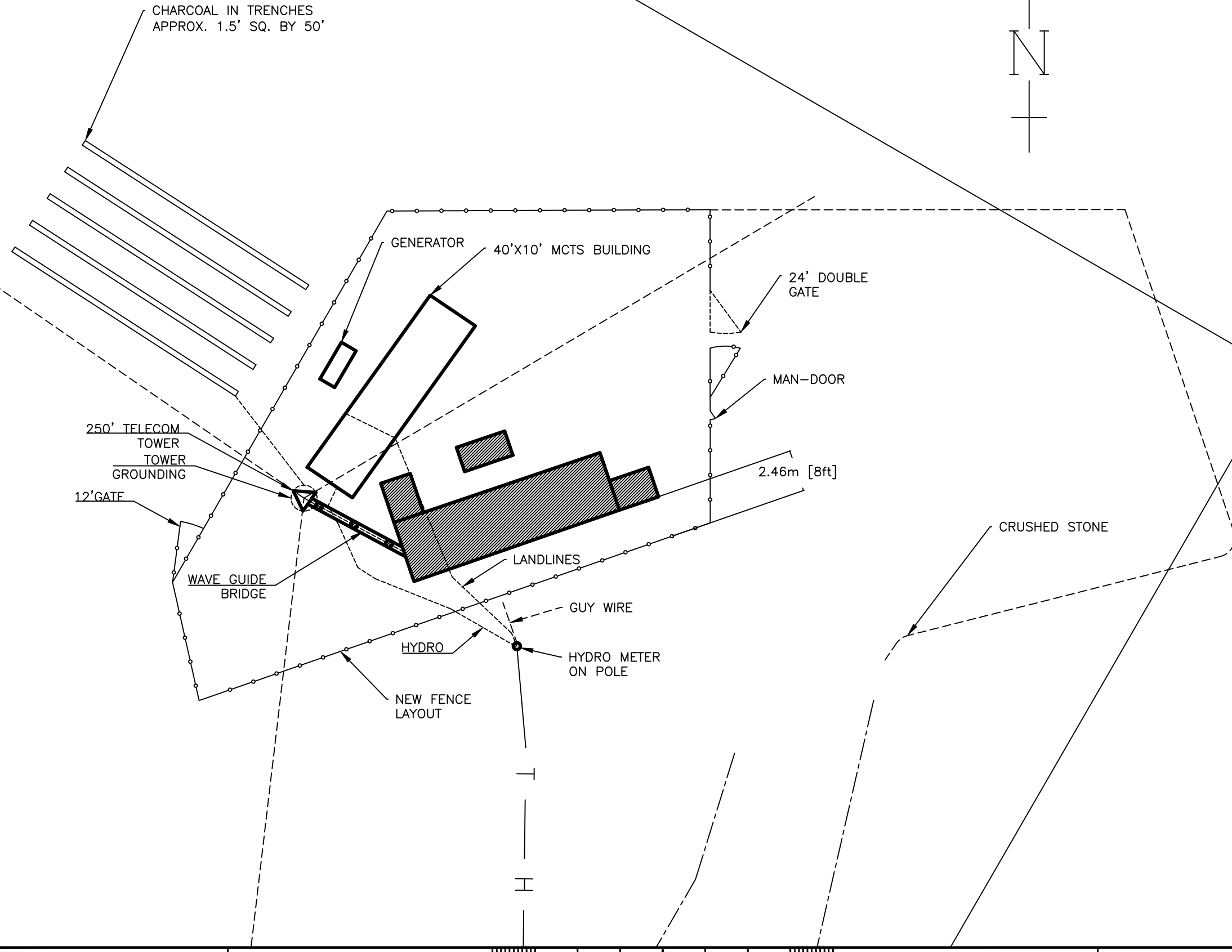
Drawing - Dessin  
**SITE LAYOUT: STAGE 1**

designed - conception	date
DESIGNED	2019-07-29
drawn - dessiné	date
DRAWN	2019-07-29
checked - vérifié	date
CHECKED	DJ 2019-07-29
approved - approuvé	date
APPROVED	BY 2019-07-29

CCG ref. no. - no. réf. GCC	scale - échelle	
8055-244	NTS	
drawing no. - no. dessin	sheet-feuille	rev
01	01/01	0

Vendor / Sous-traitant

CHARCOAL IN TRENCHES  
APPROX. 1.5' SQ. BY 50'



rev	description	by	date
0	ORIGINAL	LW	2019-07-29

Asset - Actif  
**POINTE AU BARIL MCTS SITE**  
TRAILER REPLACEMENT PROJECT

Drawing - Dessin  
**SITE LAYOUT: STAGE 2**

designed - conception	date
DESIGNED	2019-07-29
drawn - dessiné	date
DRAWN	2019-07-29
checked - vérifié	date
CHECKED	DJ 2019-07-29
approved - approuvé	date
APPROVED	BY 2019-07-29

CCG ref. no. - no. réf. GCC	scale - échelle
8055-244	NTS
drawing no. - no. dessin	sheet-feuille
01	01/01
	rev
	0

File / Fichier: SITE LAYOUT STAGE 2.DWG - Printed / Imprimé: 2020/03/03 3:17

ANSI B

C  
B  
A  
10

ID	DESC	AWG	MTL	QTY	LENGTH	TOTAL
①	BUILDING GROUND LOOP (BGL)	4/0	SCW	1	40.0 m	40.0 m
Ⓐ	BONDING, BGL TO BUILDING	2/0	SCW	1	6.0 m	6.0 m
Ⓑ	BONDING, BGL TO CONCRETE PAD	4/0	SCW	1	6.0 m	6.0 m
Ⓒ	BONDING, BGL TO STAIR PAD	4/0	SCW	2	6.0 m	12.0 m
Ⓓ	BONDING, BGL TO STAIRS	2/0	SCW	2	6.0 m	12.0 m
Ⓔ	BONDING, BGL TO GENERATOR PAD	4/0	SCW	1	6.0 m	6.0 m
Ⓕ	BONDING, BGL TO GENERATOR	2/0	SCW	1	6.0 m	6.0 m
Ⓖ	BONDING, BGL TO CHAIN-LINK FENCE	2/0	SCW	3	10.0 m	30.0 m
Ⓗ	BONDING, BGL TO WAVEGUIDE	2/0	SCW	3	2.0 m	6.0 m
Ⓘ	BONDING, BGL TO AC SERVICE	4/0	SCW	1	6.0 m	6.0 m

Vendor / Sous-traitant

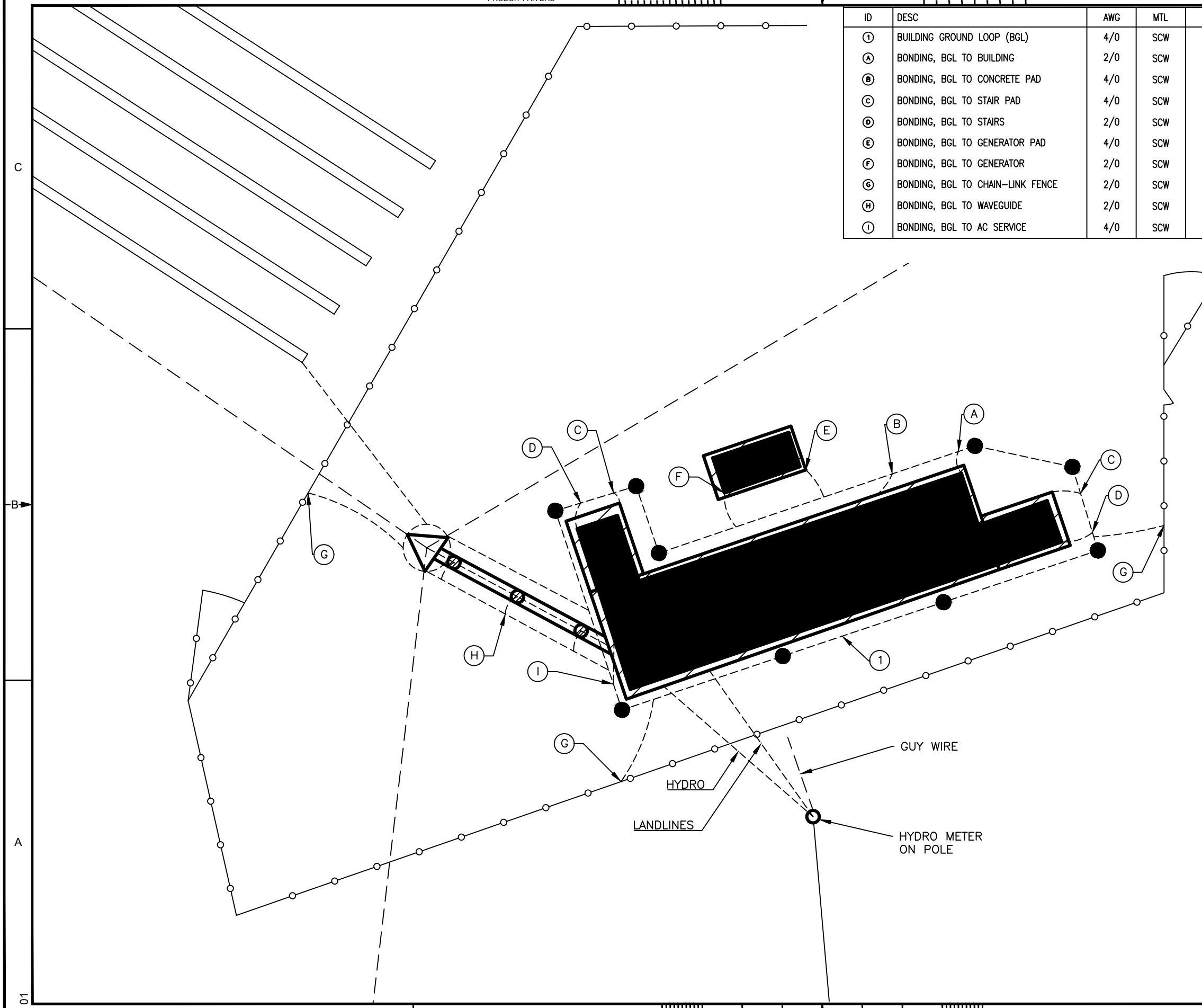
**GROUNDING LEGEND**

Ⓐ CONNECTION TO GROUND LOOP

● Artificial Ground Electrodes:  
20mm ø 3.0 COPPER  
CLAD STEEL ROD

**NOTES:**

- Grounding to be buried at a uniform depth of 1.2m
- Cable tail connections to ground loop must be buried to a depth of 0.1m
- All connections must be exothermic or irreversible mechanical connection
- Avoid damaging existing building ground system



rev	description	by	date
0	ORIGINAL	LW	2019-07-29

Asset - Actif

**POINTE AU BARIL MCTS SITE**  
TRAILER REPLACEMENT PROJECT

Drawing - Dessin  
**SITE LAYOUT: GROUNDING**

designed - conception	date
DESIGNED	2019-07-29
drawn - dessiné	date
DRAWN	2019-07-29
checked - vérifié	date
CHECKED	DJ 2019-07-29
approved - approuvé	date
APPROVED	BY 2019-07-29

CCG ref. no. - no. réf. GCC	scale - échelle	
8055-244	NTS	
drawing no. - no. dessin	sheet-feuille	rev
01	01/01	0