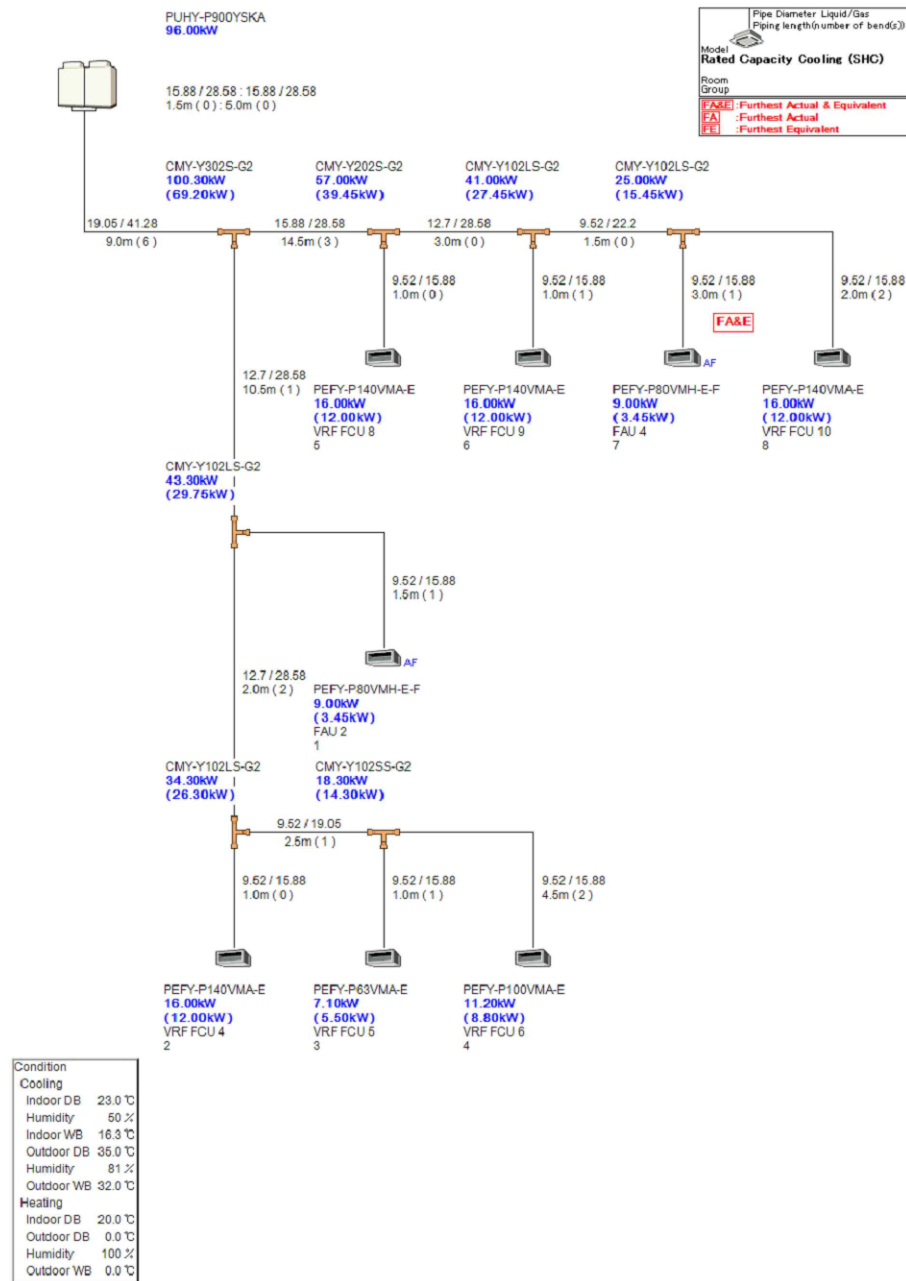


Centralized Ctrl Sys1 LEFT WING

> Piping Design

1. Piping diagram



- GENERAL NOTES**
1. WORK TO FIGURED DIMENSIONS ONLY
 2. ALL DIMENSIONS IN MILLIMETER UNLESS OTHERWISE STATED
 3. CO-ORDINATE WITH ARCHITECTURAL DRAWINGS FOR EXACT LOCATIONS OF APPLIANCES
 4. ALL PIPES SIZES ARE INTERNAL DIAMETER
 5. ALL TAP OFF FROM RISER PIPES SHOULD GO WITH CONCEALED VALVES FOR CONTROL

REV	DATE	DESCRIPTION	APPROVAL

CLIENT

ARCHITECT

SERVICES ENGINEERS

MFA Partnership
 Mechanical & Electrical Consulting Engineers
 2nd Floor
 Plot 10B, Block 132
 DCS Street, U3 Estate,
 Lekki Phase 1 (Ocean side), Lagos.
 Tel: 234-1-3429060
 Email: admin@mfapartnership.com

JOB TITLE
 CANADIAN HIGH COMMISSION, CHANCERY LAGOS NIGERIA AT 4, ANIFOWOSHE STREET, V/I LAGOS

DRAWING TITLE
 VRF AIRCONDITIONING SYSTEM SCHEMATIC DIAGRAM - LEFT WING

CHECKED BY: CA APPROVED BY: CAA MADE BY: ITN

DRAWING NO. M374/M203 SCALE: NTS DATE: SEPT., 2018 REV: -

DRAWING PHASE	
WORK IN PROGRESS	
PRELIMINARY	
COMMENTS	
APPROVAL	
TENDER	
CONSTRUCTION	✓