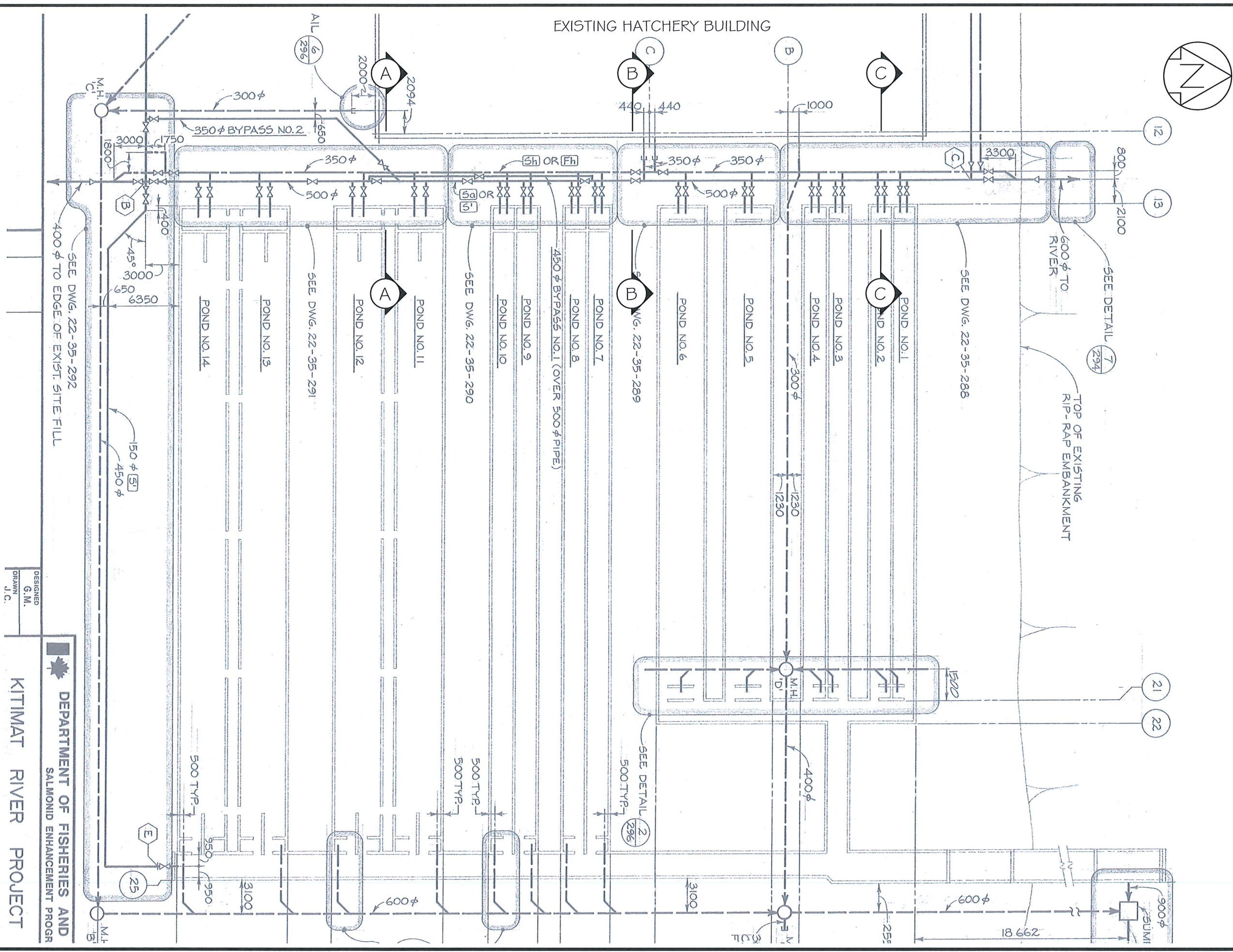


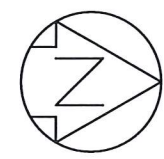
12-Mar-19, 9:57:33 AM, Bronson, N:\2018 Projects\118-4459 Kitimat River Hatchery Drawings\118-4459 Temporary Excavation Sloped w Cages R1 IFT.dwg



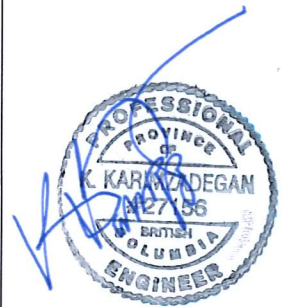
DESIGNED
G.M.
DRAWN
J.C.

DEPARTMENT OF FISHERIES AND
SALMONID ENHANCEMENT PROGR
KITIMAT RIVER PROJECT

EXISTING HATCHERY BUILDING



REFERENCE DRAWINGS
Department of Fisheries and Oceans
(DFO), Kitimat River Project
Contract No.6, Drawings: 22-35-286 to
22-35-293,
Contract No.3, Drawings: 22-35-156 to
22-35-159.



March 21, 2019

5		
4		
3		
2		
1	12Mar/19	Issued for Tender
NO	DATE	REVISION



Department of Fisheries
and Oceans Canada
200-401 Burrard Street
Vancouver, BC

VALVES REPLACEMENT
Kitimat River Hatchery
Kitimat, BC

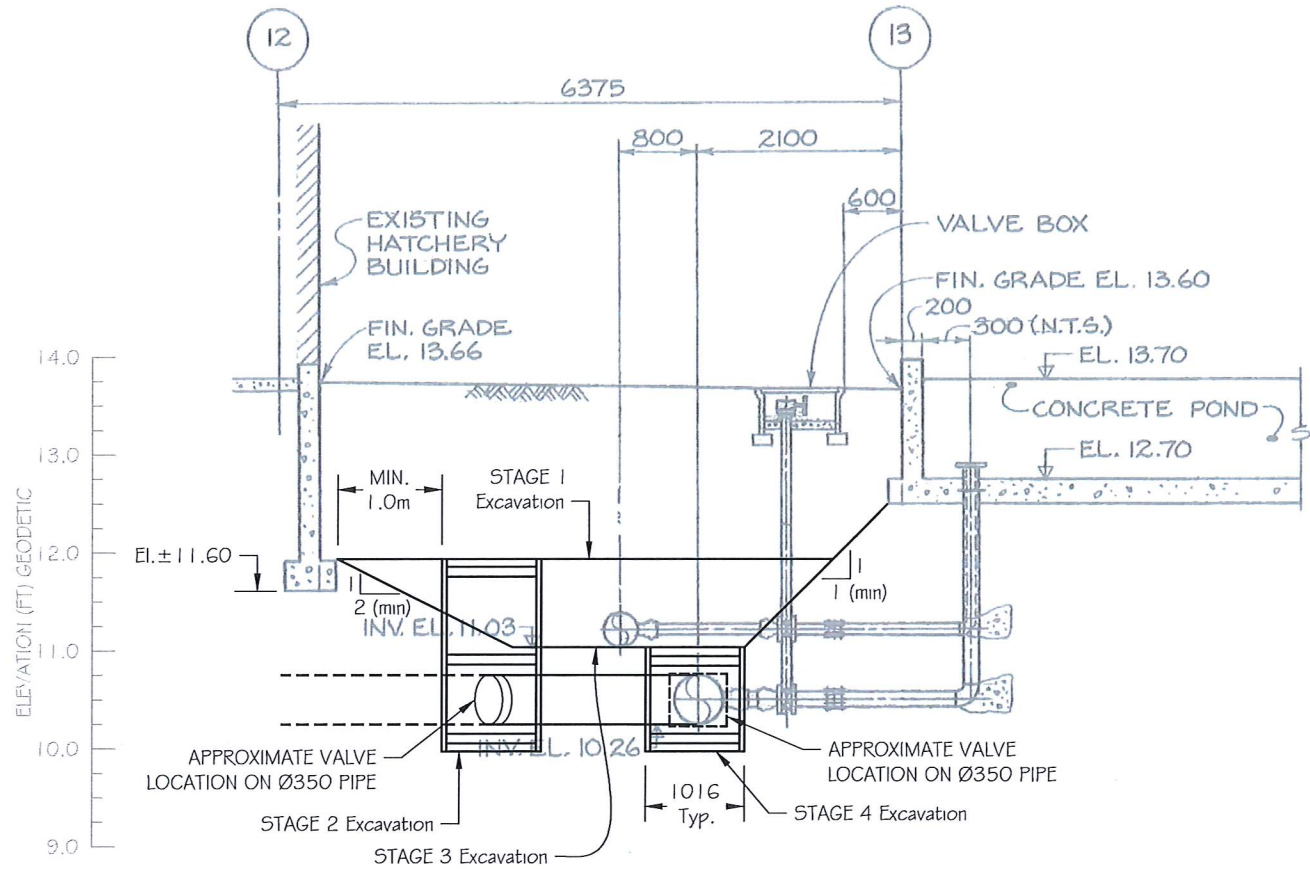
Temporary Excavation
SITE PLAN

SCALE	NTS	DATE	NOV/2018
DESIGN	AC	DRAWN	BB
FIGURE		CHECKED	KK

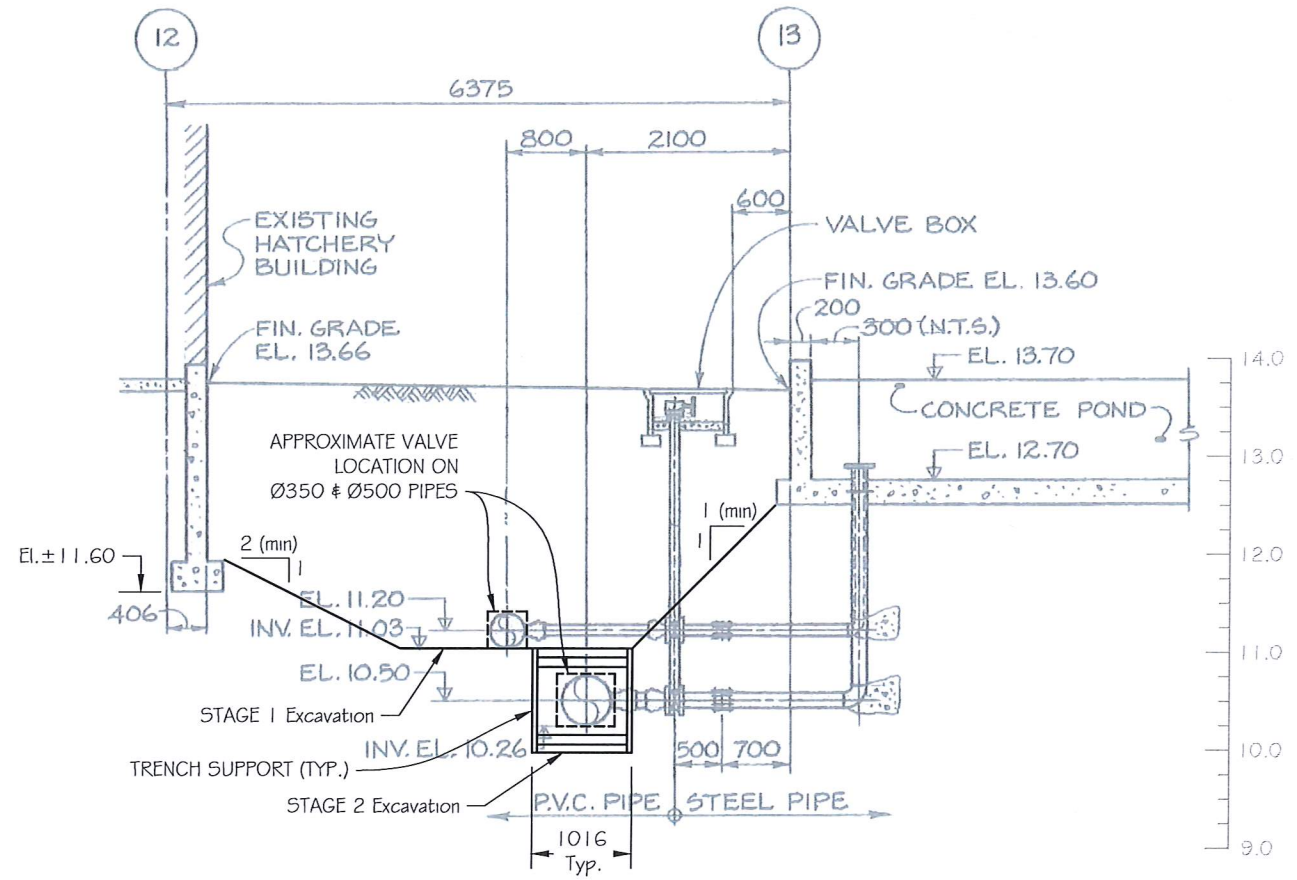
G1 OF 2

FILE NUMBER
118-4459

12-Mar-19, 9:57:33 AM, Bronson, N:\2018 Projects\118-4459 Kitimat River Hatchery\Drawings\118-4459 Temporary Excavation Sloped w Cages R1 IFT.dwg



Section A-A
Scale: 1 : 75



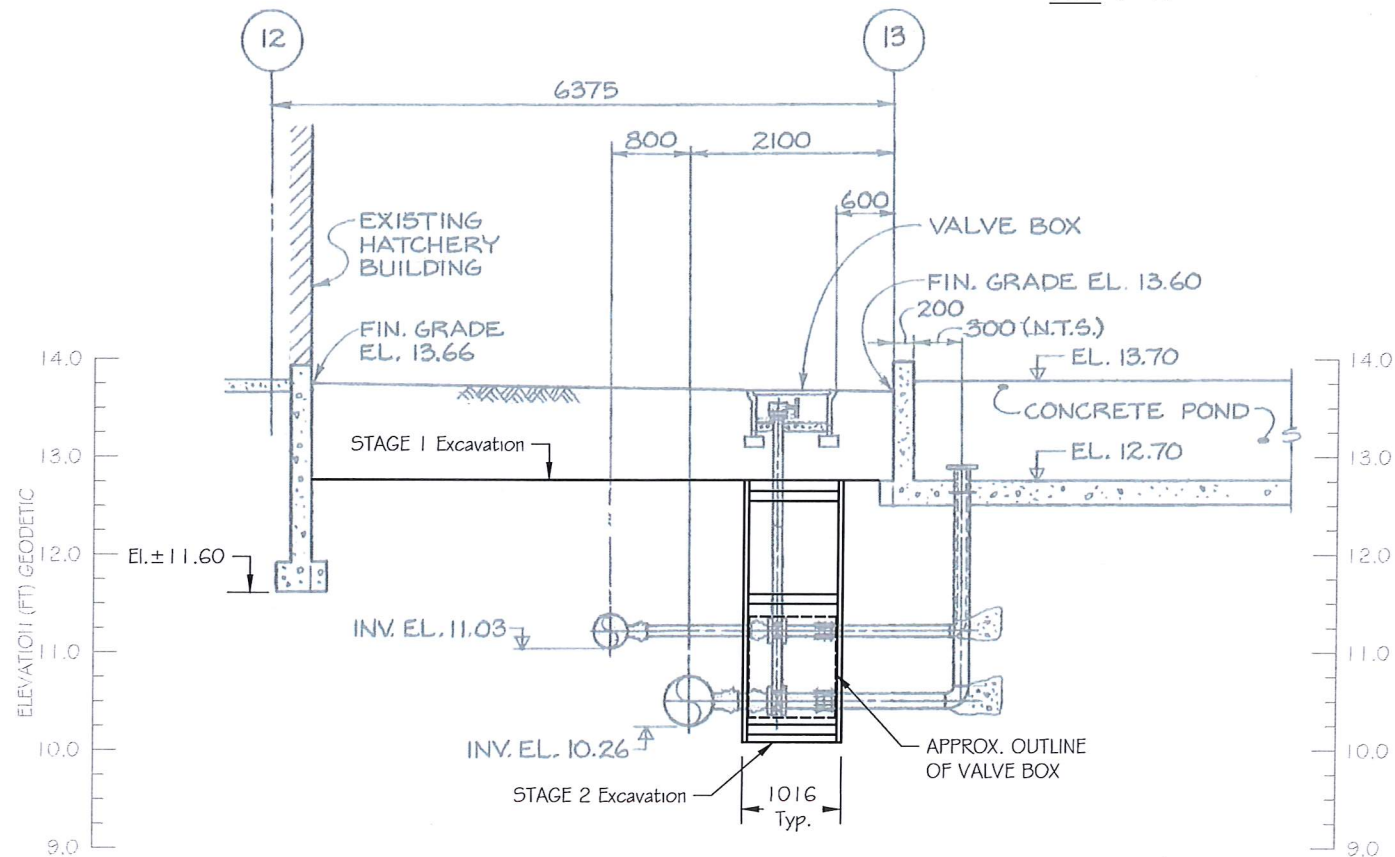
Section B-B
Scale: 1 : 75

NOTES:

- CONTRACTOR TO CONFIRM FOOTING ELEVATION OF EXISTING HATCHERY BUILDING PRIOR TO EXCAVATION.
- DETAILS OF TRENCH SUPPORT MUST BE APPROVED BY THE GEOTECHNICAL ENGINEER.
- CONTRACTOR TO CONFIRM UTILITY OFFSETS AND DEPTHS PRIOR TO EXCAVATION (REFER TO REFERENCE DRAWINGS).

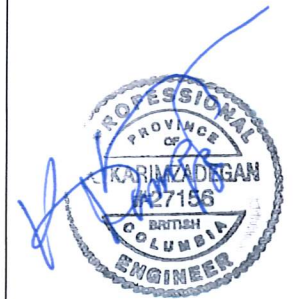
EXCAVATION SEQUENCE:

1. EXCAVATE TO STAGE 1 MAINTAINING MINIMUM EXCAVATION SLOPES. THE EXTENT OF EXCAVATION OF THIS STAGE TO BE DETERMINED ON SITE,
2. REPLACE VALVE AT STAGE 1 EXCAVATION DEPTH,
3. ADVANCE TRENCH EXCAVATION AND INSTALL TRENCH SUPPORT SYSTEM,
4. REPLACE VALVE AT TRENCH ELEVATION,
5. BACKFILL TRENCH EXCAVATION IN ACCORDANCE WITH GEOTECHNICAL RECOMMENDATIONS (SEE SPECIFICATIONS). REMOVE TRENCH SUPPORT AS BACKFILL INSTALLATION PROCEEDS.
6. REPEAT STEPS 3 TO 5 AS REQUIRED.
5. BACKFILL EXCAVATION IN ACCORDANCE WITH GEOTECHNICAL RECOMMENDATIONS (SEE SPECIFICATIONS).



Section C-C
Scale: 1 : 75

REFERENCE DRAWINGS
Department of Fisheries and Oceans (DFO), Kitimat River Project
Contract No.6, Drawings: 22-35-286 to 22-35-293.
Contract No.3, Drawings: 22-35-156 to 22-35-159.



March 21, 2019

5		
4		
3		
2		
1	12Mar/19	Issued for Tender
NO	DATE	REVISION



Department of Fisheries and Oceans Canada
200-401 Burrard Street
Vancouver, BC

VALVES REPLACEMENT
Kitimat River Hatchery
Kitimat, BC

Temporary Excavation
SECTIONS

SCALE	AS SHOWN	DATE	NOV/2018
DESIGN	AC	DRAWN	BB
		CHECKED	KK

FIGURE
G2 OF 2

FILE NUMBER
118-4459