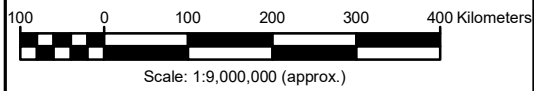


**ALASKA HIGHWAY  
DRILLING SITES**



**Public Services and  
Procurement Canada**

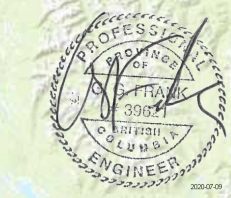
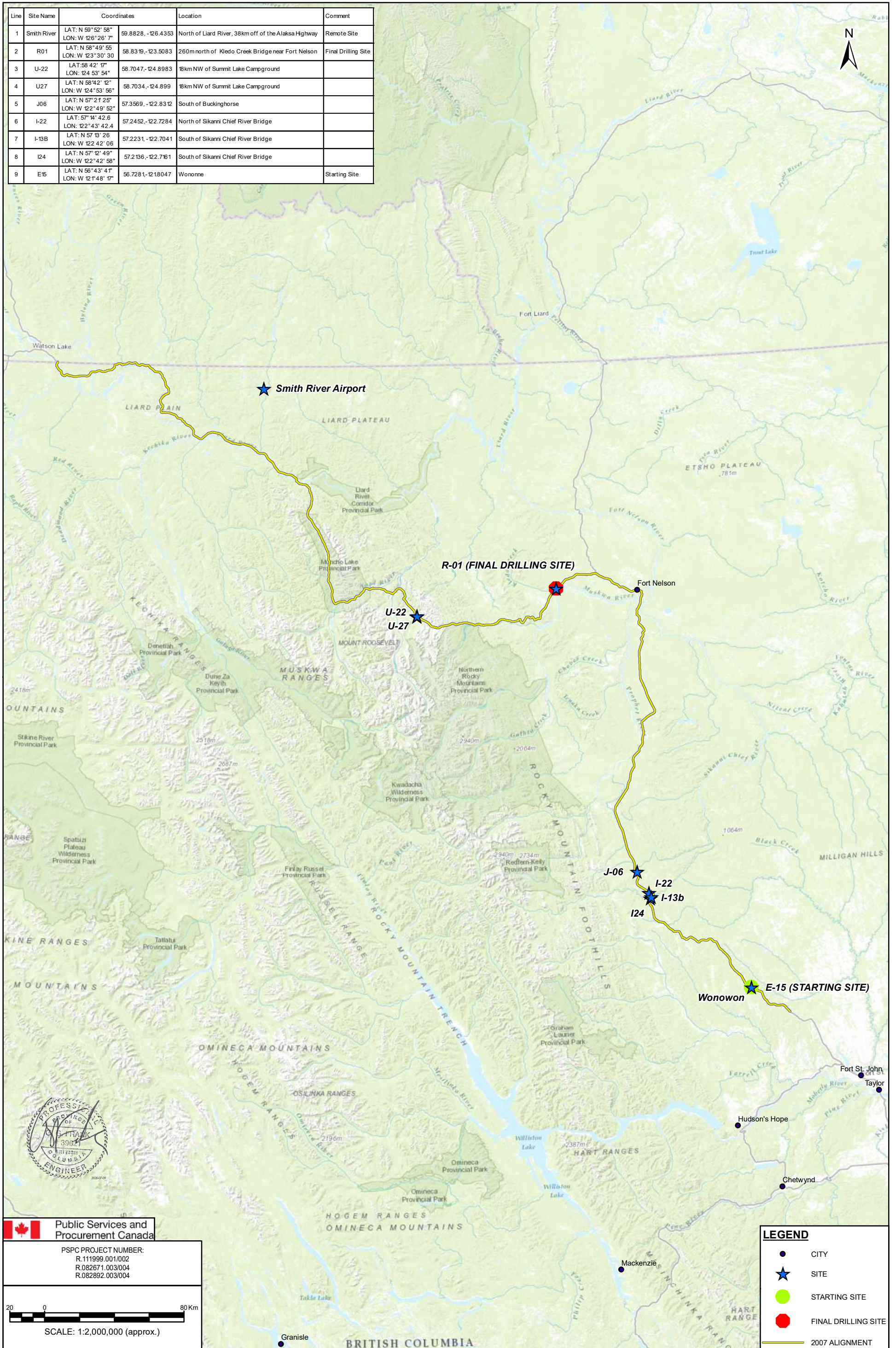
PSPC PROJECT NUMBER:  
R.111999.001/002  
R.082671.003/004  
R.082892.003/004



ALASKA HIGHWAY, BC AND YUKON PUBLIC SERVICES AND PROCUREMENT CANADA		
REVISION No.	DATE	PROJECT No.
C	June 2020	15804

**Drawing 1**  
**Location Plan**

Line	Site Name	Coordinates	Location	Comment	
1	Smith River	LAT: N 59° 52' 58" LON: W 126° 26' 7"	59.8828, -126.4353	North of Liard River, 38km off of the Alaksa Highway	Remote Site
2	R01	LAT: N 58° 49' 55" LON: W 123° 30' 30"	58.8319, -123.5083	260m north of Kledo Creek Bridge near Fort Nelson	Final Drilling Site
3	U-22	LAT: 58° 42' 17" LON: 124° 53' 54"	58.7047, -124.8983	18km NW of Summit Lake Campground	
4	U27	LAT: N 58° 42' 12" LON: W 124° 53' 56"	58.7034, -124.899	18km NW of Summit Lake Campground	
5	J06	LAT: N 57° 21' 25" LON: W 122° 49' 52"	57.3569, -122.8312	South of Buckinghorse	
6	I-22	LAT: 57° 14' 42.6" LON: 122° 43' 42.4"	57.2452, -122.7284	North of Sikanni Chief River Bridge	
7	I-13B	LAT: N 57° 13' 26" LON: W 122° 42' 06"	57.2231, -122.7041	South of Sikanni Chief River Bridge	
8	I24	LAT: N 57° 12' 49" LON: W 122° 42' 58"	57.2136, -122.761	South of Sikanni Chief River Bridge	
9	E15	LAT: N 56° 43' 41" LON: W 121° 48' 17"	56.7281, -121.8047	Wononwe	Starting Site



**Public Services and Procurement Canada**

PSPC PROJECT NUMBER:  
R.111999.001/002  
R.082671.003/004  
R.082892.003/004

20 0 80 Km

SCALE: 1:2,000,000 (approx.)

**LEGEND**

- CITY
- ★ SITE
- ★ STARTING SITE
- ★ FINAL DRILLING SITE
- 2007 ALIGNMENT



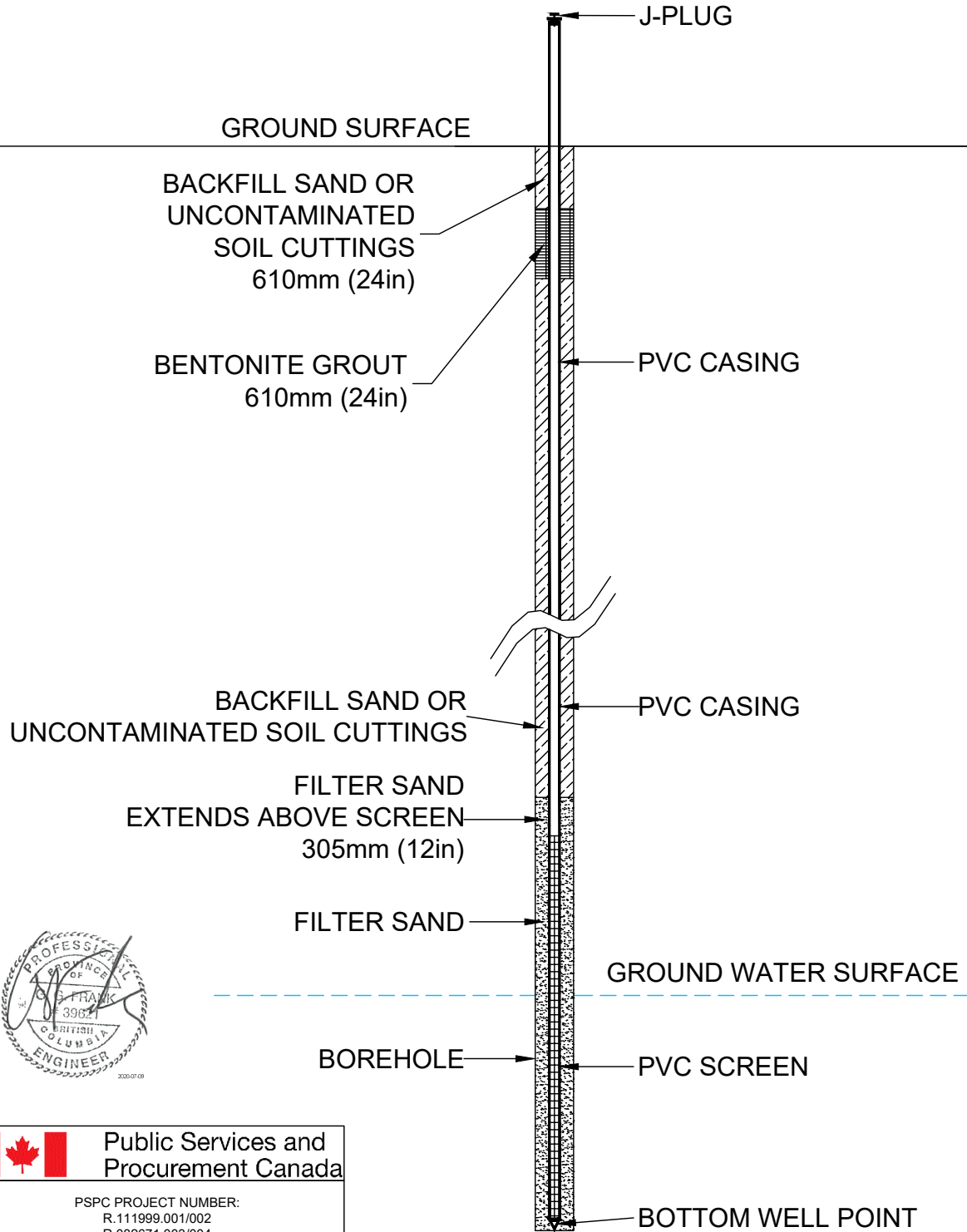
NOTES:  
1) THIS DRAWING IS FOR GENERAL INFORMATION ONLY.  
LOT BOUNDARIES AND FEATURES ARE APPROXIMATE.

ALASKA HIGHWAY,  
BC AND YUKON  
PUBLIC SERVICES AND PROCUREMENT CANADA

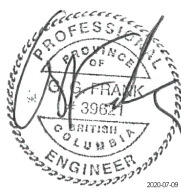
REVISION No.	DATE	PROJECT No.
H	July 2020	15014


**Drawing 2**  
Site Plan


# DRAWING 3 TYPICAL MONITORING WELL COMPLETION (NOT TO SCALE)



DRAWN BY: TL CADD FILE No. \\key-fs2012\COMMON\15700 - 15799\15743 PSPC I-13B\Figs\GIS\_CADD\Drawing3-Typical Monitoring Well-RA-V2.dwg



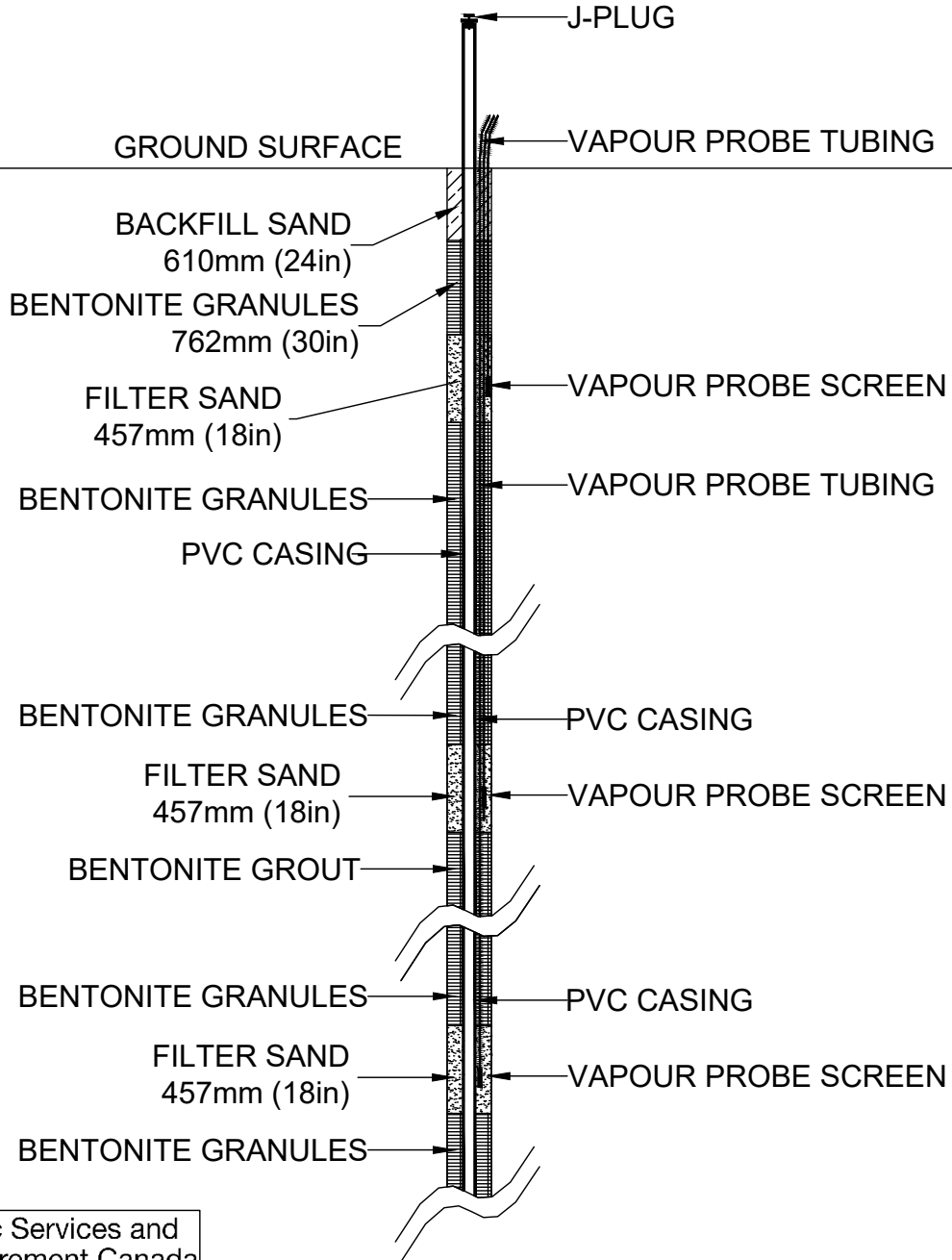
	<b>Public Services and Procurement Canada</b>
PSPC PROJECT NUMBER: R.111999.001/002 R.082671.003/004 R.082892.003/004	

	Alaska Highway BC and Yukon	
	Public Services and Procurement Canada	
REVISION No. B	DATE June 2020	PROJECT No. 15014

<h2 style="margin: 0;">Drawing 3</h2> <h3 style="margin: 0;">Typical Monitoring Well Completion</h3>
--


PLOT SCALE: 1:1

# DRAWING 4 TYPICAL VAPOUR PROBE(S) INSTALLED WITH MONITORING WELL (NOT TO SCALE)




DRAWN BY: TL CADD FILE No. \\key-fs2012\COMMON\15700 - 15799\15743 PSPC I-13B\Figs\GIS\_CADD\Drawing4-Typical Vapour Probe-RA-V2.dwg



 Public Services and Procurement Canada

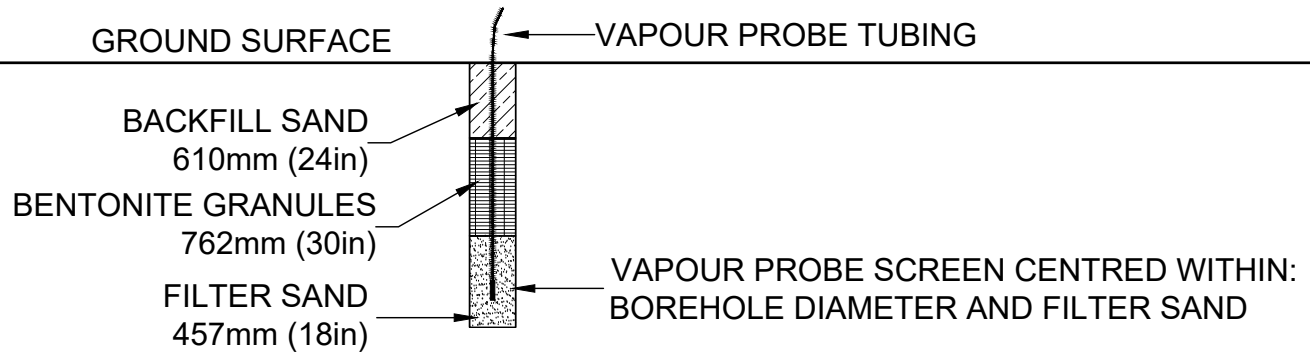
PSPC PROJECT NUMBER:  
R.111999.001/002  
R.082671.003/004  
R.082892.003/004

	Alaska Highway BC and Yukon	
	Public Services and Procurement Canada	
REVISION No. B	DATE June 2020	PROJECT No. 15014

Drawing 4  
Typical Vapour Probe

PLOT SCALE: 1:1

# DRAWING 5 TYPICAL VAPOUR PROBE SINGLE SCREEN (NOT TO SCALE)



Public Services and Procurement Canada

PSPC PROJECT NUMBER:  
R.111999.001/002  
R.082671.003/004  
R.082892.003/004

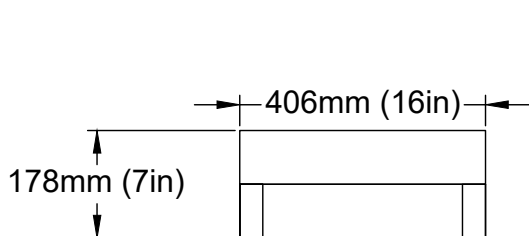
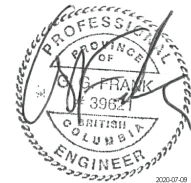
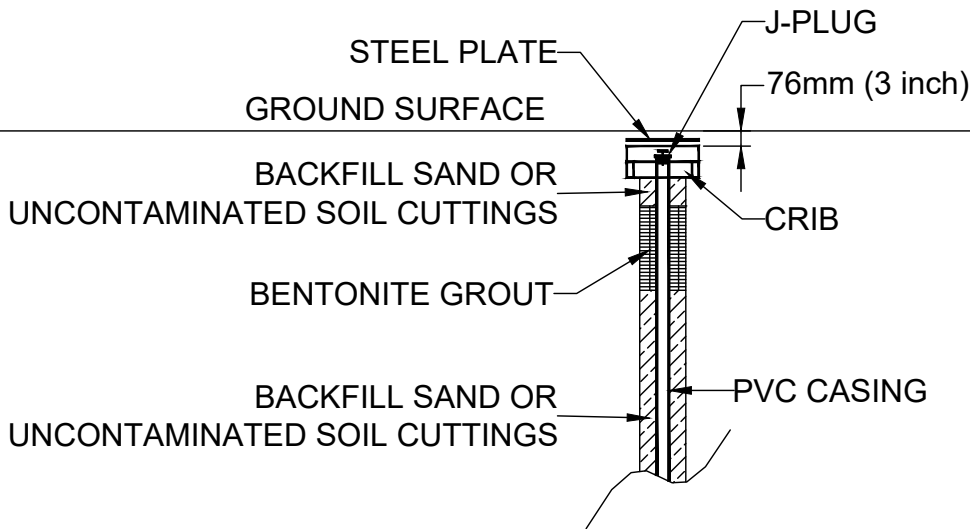


Alaska Highway  
BC and Yukon  
Public Services and Procurement Canada

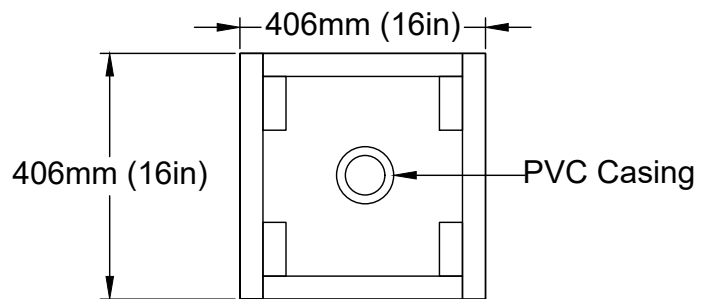
REVISION No. B	DATE June 2020	PROJECT No. 15014
-------------------	-------------------	----------------------

Drawing 5  
Typical Vapour Probe Installed  
with Monitoring Well

# DRAWING 6 TYPICAL SUB SURFACE WELL PROTECTOR COMPLETION (NOT TO SCALE)



CRIB - PROFILE VIEW



CRIB - PLAN VIEW



PSPC PROJECT NUMBER:  
 R.111999.001/002  
 R.082671.003/004  
 R.082892.003/004



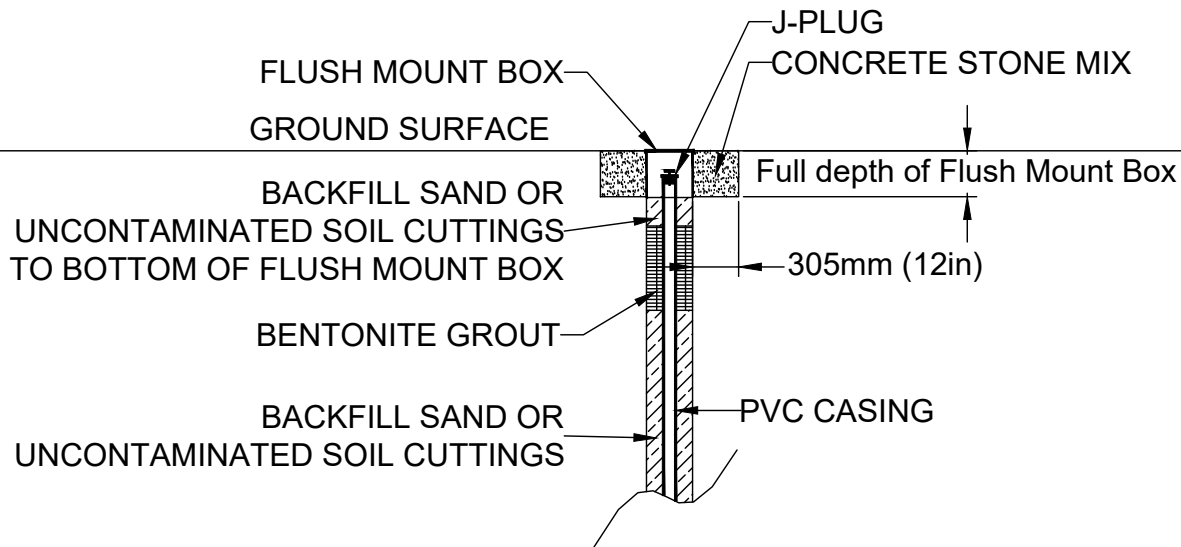
Alaska Highway BC and Yukon		
Public Services and Procurement Canada		
REVISION No. B	DATE June 2020	PROJECT No. 15014

Drawing 6  
Typical Sub Surface Well Protection

DRAWN BY: TL  
 CADD FILE No. \\key-fs2012\COMMON\15700 - 15799\15743 PSPC I-13B\Figs\GIS\_CADD\Drawing6-Typical Sub Surface Well Protection-RA-V2.dwg

PLOT SCALE: 1:1

# DRAWING 7 TYPICAL FLUSH MOUNT WELL PROTECTOR COMPLETION (NOT TO SCALE)



PSPC PROJECT NUMBER:  
R.111999.001/002  
R.082671.003/004  
R.082892.003/004

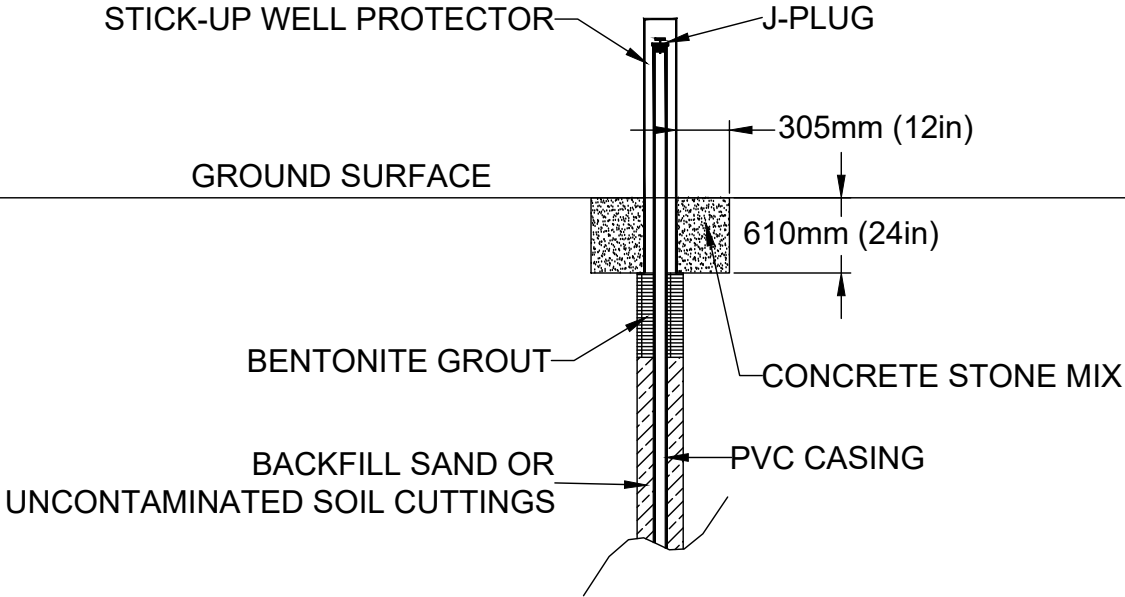


Alaska Highway  
BC and Yukon  
Public Services and Procurement Canada

REVISION No. B	DATE June 2020	PROJECT No. 15014
-------------------	-------------------	----------------------

Drawing 7  
Typical Flush Mount Well Protection

# DRAWING 8 TYPICAL STICK-UP WELL PROTECTOR COMPLETION (NOT TO SCALE)



Public Services and Procurement Canada

PSPC PROJECT NUMBER:  
R.111999.001/002  
R.082671.003/004  
R.082892.003/004



Alaska Highway  
BC and Yukon  
Public Services and Procurement Canada

REVISION No. B	DATE June 2020	PROJECT No. 15014
-------------------	-------------------	----------------------

Drawing 8  
Typical Stick-Up Well Protection