



### GENERAL NOTES

- DESIGN PARAMETERS:
  - DEAD LOAD: STRUCTURAL SELF-WEIGHT
  - SUPERIMPOSED DEAD LOAD: EQUIPMENT WEIGHT AS SHOWN
  - CLIMATIC LOADS:
    - A) GROUND SNOW LOAD:  $S_s = 2.2 \text{ kPa}$ ,  $S_r = 0.3 \text{ kPa}$ ,  $I_s = 1.00$  (NORMAL IMPORTANCE)
    - B) WIND EFFECTS:  $q = 0.47 \text{ kPa}$  (1/50 YEAR),  $I_w = 1.00$  (NORMAL IMPORTANCE)
  - SEISMIC DATA:  $S_a(0.2) = 0.539$ ,  $PGA = 0.242$ ,  $I_e = 1.00$  (NORMAL IMPORTANCE)
- THE DESIGN AND CONSTRUCTION SHALL BE IN ACCORDANCE WITH 2015 NATIONAL BUILDING CODE OF CANADA AND BCBC 2018 AND REFERENCED STANDARDS WITHIN. THE DESIGN OF EQUIPMENT PADS AND OTHER NON-STRUCTURAL ELEMENTS SHALL BE IN ACCORDANCE WITH CSA-S832-14 SEISMIC RISK REDUCTION OF OPERATIONAL AND FUNCTIONAL COMPONENTS OF BUILDINGS.
- READ THE STRUCTURAL DRAWINGS IN CONJUNCTION WITH ALL OTHER PERTINENT CONTRACT DOCUMENTS. COORDINATE STRUCTURAL WORK WITH ARCHITECTURAL, MECHANICAL AND ELECTRICAL DRAWINGS FOR DETAILED DIMENSIONS, LOCATIONS OF OPENINGS, SLOPES, CURBS, DRAINAGE AND WATERPROOFING, DUCT OPENINGS, RECESSES, INSERTS AND OTHER ITEMS.
- DO NOT INSTALL OPENINGS, SET INSERTS, DRILL OR ATTACH TO THE STRUCTURAL BUILDING COMPONENTS, EXCEPT AS NOTED ON THE STRUCTURAL DRAWINGS, WITHOUT WRITTEN CONSENT OF THE DEPARTMENTAL REPRESENTATIVE.
- PROVIDE TEMPORARY BRACING AND SHORING FOR CONSTRUCTION LOADING CONDITIONS AND STABILITY OF THE STRUCTURE DURING CONSTRUCTION. CONSTRUCTION LOADS INCLUDING OPERATING EQUIPMENT AND PERSONNEL MAY EXCEED DESIGN LOAD. USE ADDITIONAL SUPPORT WHERE REQUIRED.
- CONSTRUCTION METHODS REQUIRING TEMPORARY SHORING, OR BRACING, SHALL BE SUBMITTED TO THE DEPARTMENTAL REPRESENTATIVE FOR REVIEW. THE CONTRACTOR SHALL RETAIN A PROFESSIONAL ENGINEER REGISTERED IN THE PROVINCE OF BRITISH COLUMBIA TO PERFORM AND TAKE RESPONSIBILITY FOR ANY SHORING OR OTHER DESIGNS TO COMPLETE THE CONSTRUCTION.
- VERIFY LOCATIONS OF EXISTING SERVICES AND BE RESPONSIBLE FOR DISRUPTIONS.
- ALL VERTICAL ELEVATIONS ARE IN METERS AND PLAN DIMENSIONS ARE IN MILLIMETERS, UNLESS NOTED OTHERWISE. THE CONTRACTOR SHALL VERIFY ALL DIMENSIONS PRIOR TO START CONSTRUCTION AND REPORT ALL DISCREPANCIES BEFORE PROCEEDING WITH THE WORK. DO NOT SCALE DRAWINGS.
- ALL EXISTING CONSTRUCTION ALTERED OR DAMAGED DURING COURSE OF WORK TO BE REPAIRED BY THE CONTRACTOR.
- CONTRACTOR SHALL SURVEY AND CONFIRM ALL RELEVANT EXISTING BUILDING DIMENSIONS PRIOR TO FABRICATION AND CONSTRUCTION.

### WOOD PRODUCTS

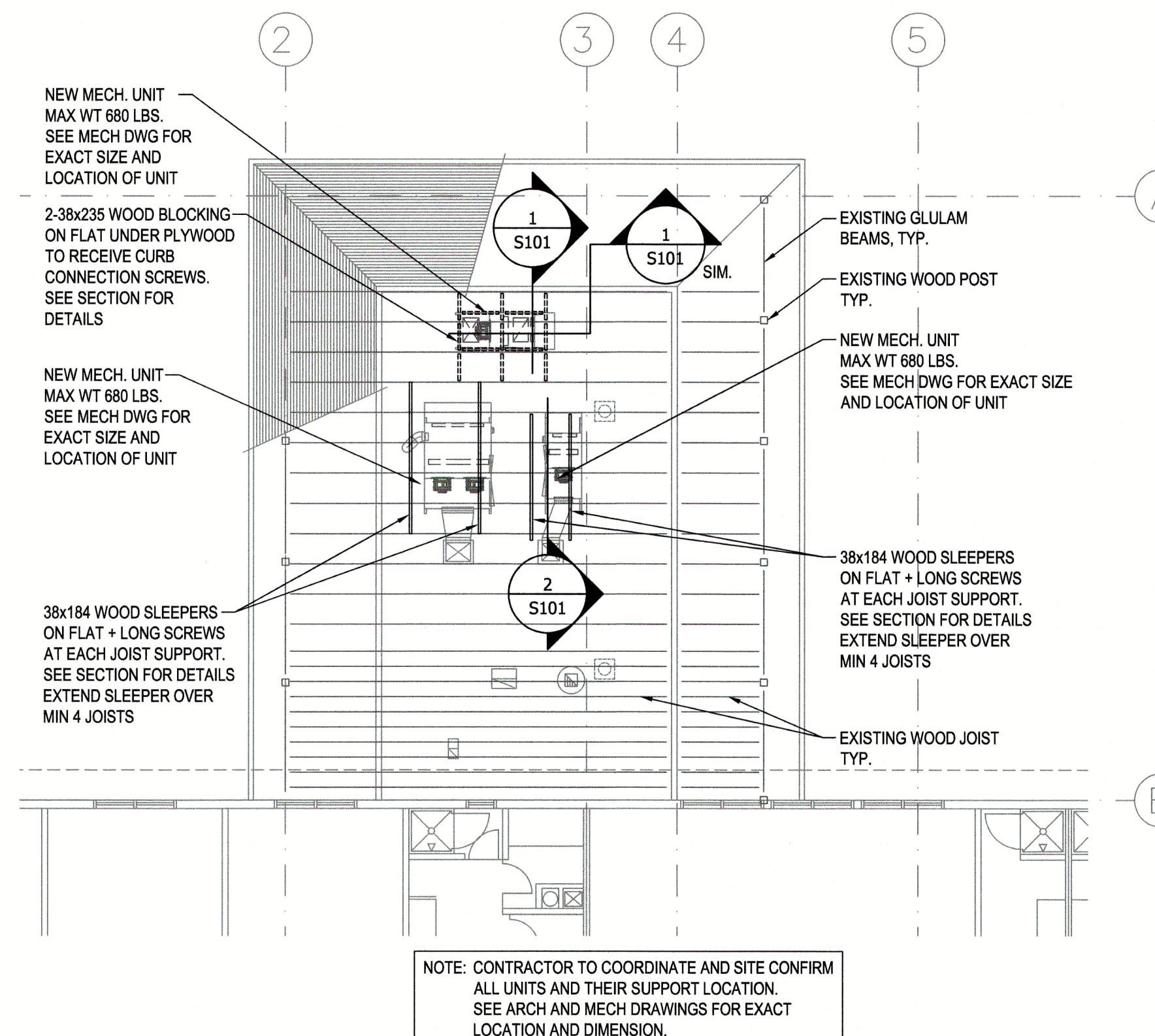
- SAWN TIMBER MEMBERS SHALL BE SPF NO. 2 OR BETTER AND ALL WOOD MEMBERS SHALL BE PRESSURE TREATED.
- GLUED END-JOINTED (FINGER-JOINTED) LUMBER IS NOT ACCEPTABLE.
- UNLESS NOTED OTHERWISE, ALL FASTENERS SHALL BE HOT DIPPED GALVANIZED FOR USE WITH PRESERVATIVE TREATED PLUMBER.
- UNLESS NOTES OTHERWISE, COMPLY WITH REQUIREMENTS OF NBC 2015 PART 9 FOR WOOD CONSTRUCTION.

### SHOP DRAWINGS

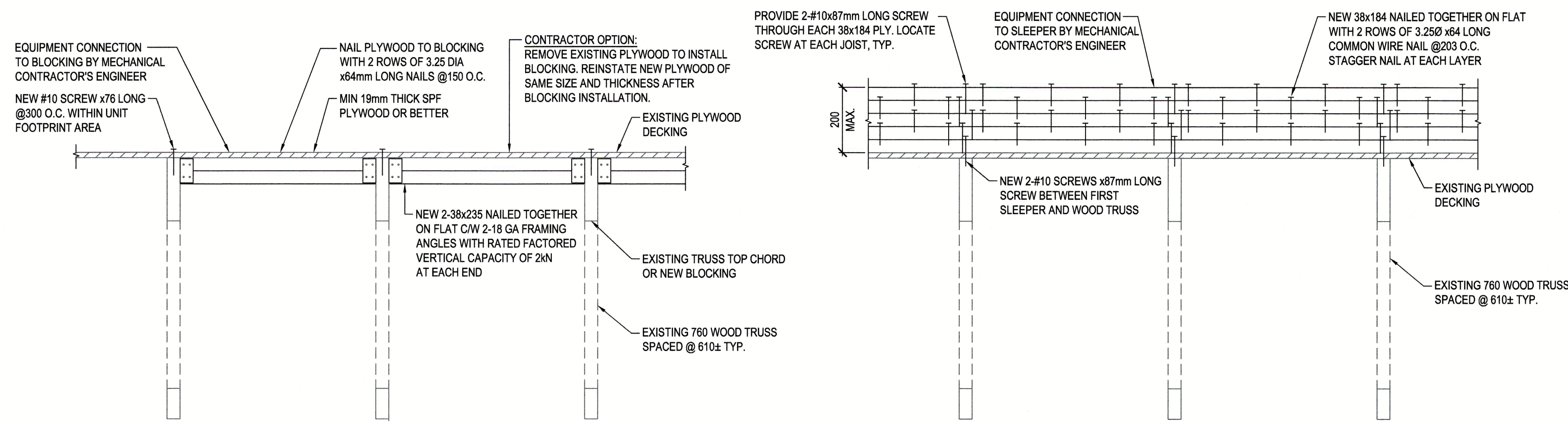
- SUBMIT SHOP DRAWINGS OF ALL MATERIALS PRIOR TO INSTALLATION.

### NAIL AND SCREW INSTALLATION

- ALL NAILING SHOULD BE COMMON WIRE NAIL WITH MIN 3.25mm DIA U.N.O. INSTALLED AS PER CSA 086.
- INSTALL ALL PRE-ENGINEERED FRAMING ANCHORS AS PER MANUFACTURER GUIDELINE.



LEVEL 2 PLAN  
SCALE: 1:100

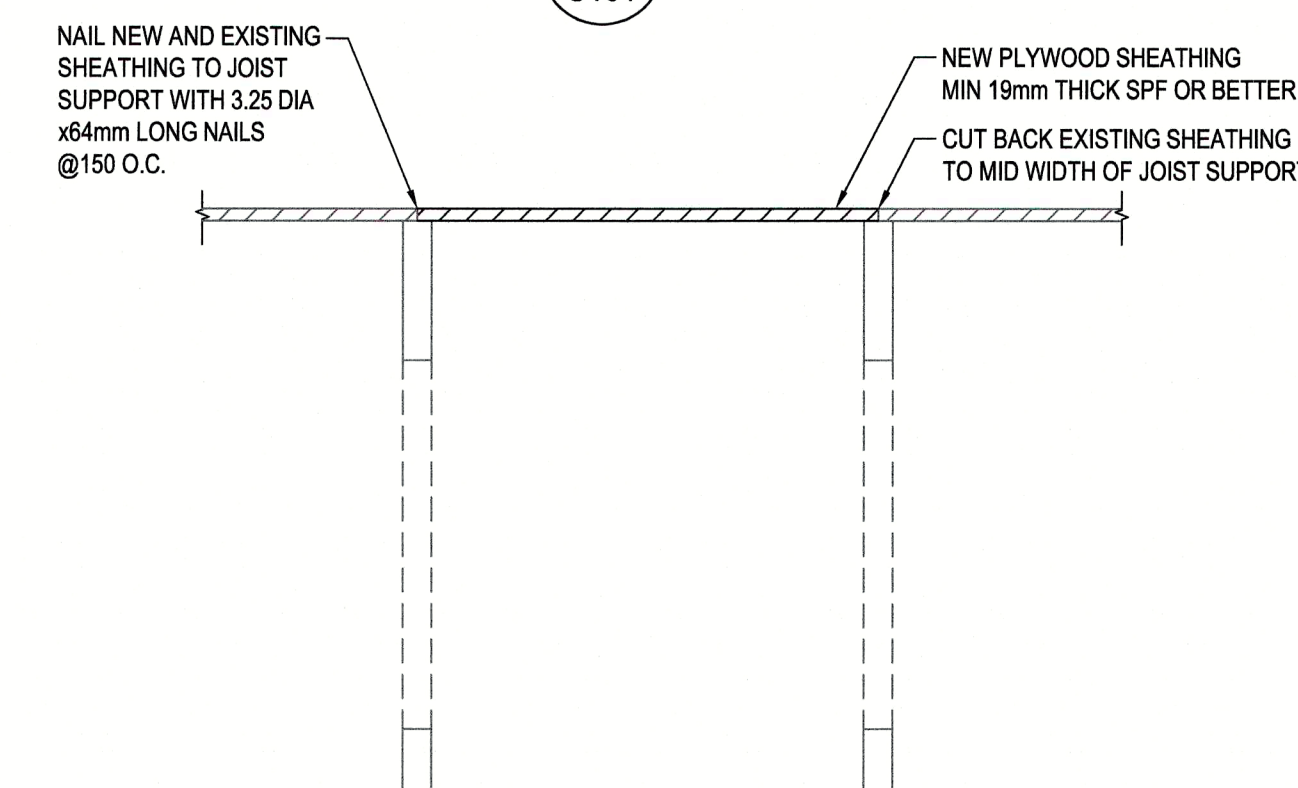
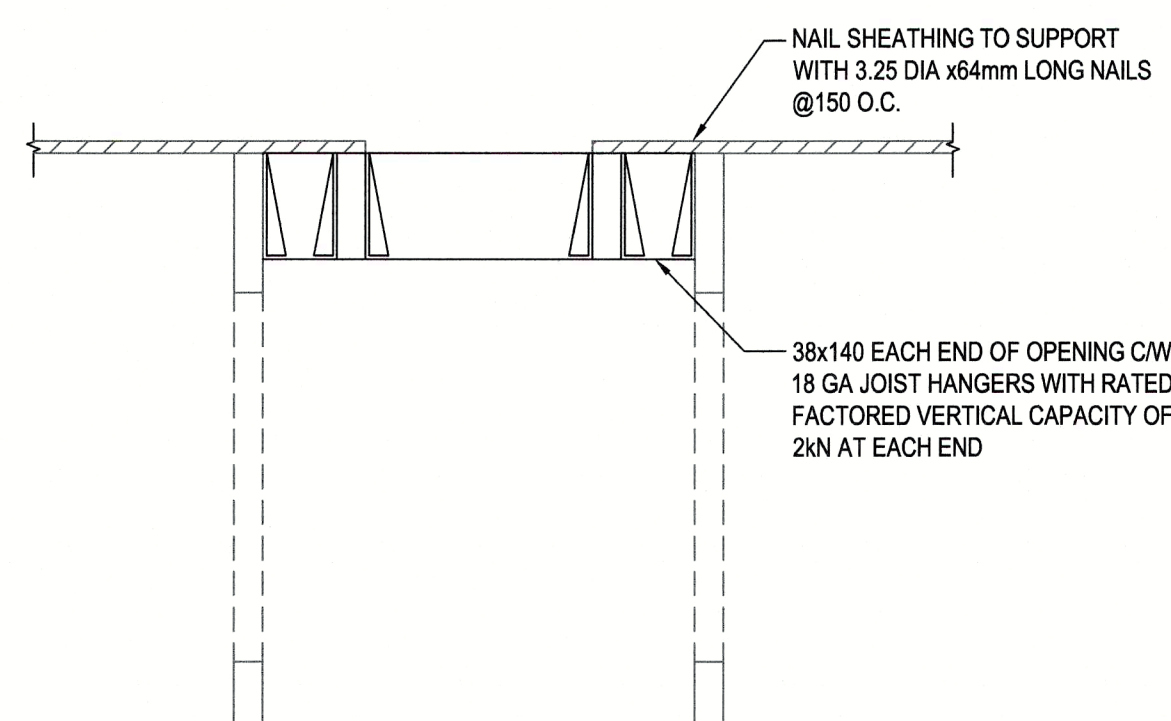


TYPICAL SECTION DETAIL OF WOOD BLOCKING SUPPORT  
UNDERSIDE OF ROOF PLYWOOD FOR UNIT WITH CURB.

TYPICAL SECTION DETAIL OF WOOD SLEEPER SUPPORT  
ABOVE ROOF PLYWOOD FOR UNIT WITHOUT CURB.

1 SECTION  
S101 SCALE: 1:10

2 SECTION  
S101 SCALE: 1:10



3 NEW ROOF TOP OPENINGS AT MECHANICAL DUCTING  
S101 SCALE: 1:10

4 NEW ROOF TOP INFILL AT ABANDONED SERVICES  
S101 SCALE: 1:10



Revision/Revision	Description/Description	Date/Date
0	ISSUED FOR TENDER	2020.05.27

### CORRECTIONAL SERVICE CANADA

Project title/Titre du projet  
**CHILLIWACK CORRECTIONAL CENTRE  
CHILLIWACK, BC**

### FLAT ROOF REPAIR AND HVAC REPLACEMENT

Consultant Signature Box Only

Designed by/Concept par

PC

Drawn by/Dessiné par

SDC

PWGSC Project Manager/Administrateur de Projets TPSCG

KEN WENDT

PWGSC, Regional Manager, Architectural and Engineering Services/  
Gestionnaire Régionale, Services d'architecture et de génie, TPSCG

PREETIPAL PAUL

Drawing title/Titre du dessin

### STRUCTURAL GENERAL NOTES, PLAN & SECTIONS

Project No./No. du projet <b>R.097948.001</b>	Sheet/Fauille <b>S101</b> 1 OF 1	Revision no./ La Révision no. <b>0</b>
--	--	--

