

Revision/Revision	Description/Description	Date/Date
0	ISSUED FOR TENDER	2020.05.27

**CORRECTIONAL SERVICE CANADA**

Project Title/Titre du projet  
**CHILLIWACK CORRECTIONAL CENTRE CHILLIWACK, BC**

**FLAT ROOF REPAIR AND HVAC REPLACEMENT**

Consultant Signature Box Only

Designed by/Concept par  
**CG**

Drawn by/Dessiné par  
**CG**

PWGSC Project Manager/Administrateur de Projets TPSCG  
**KEN WENDT**

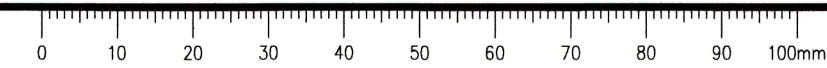
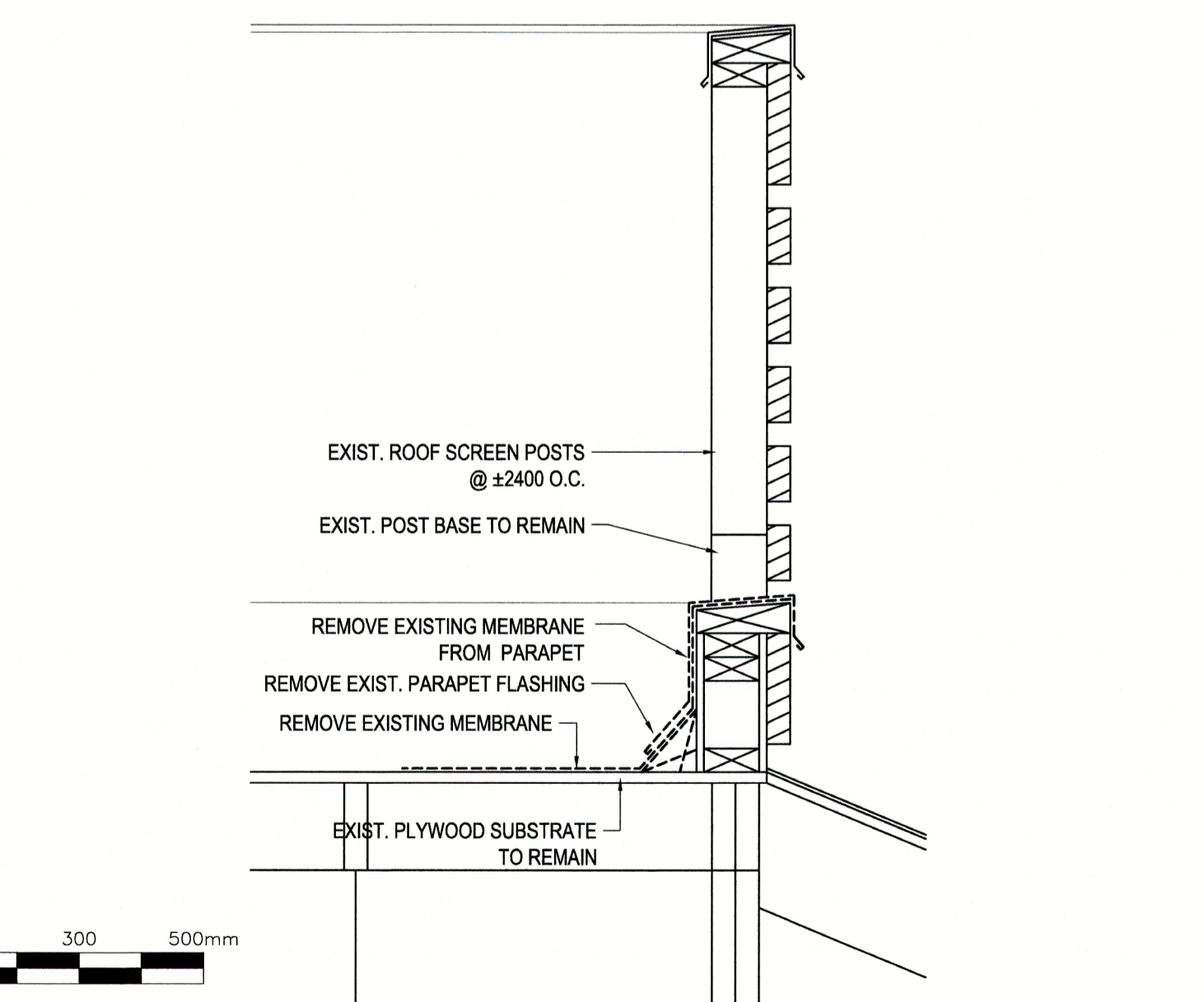
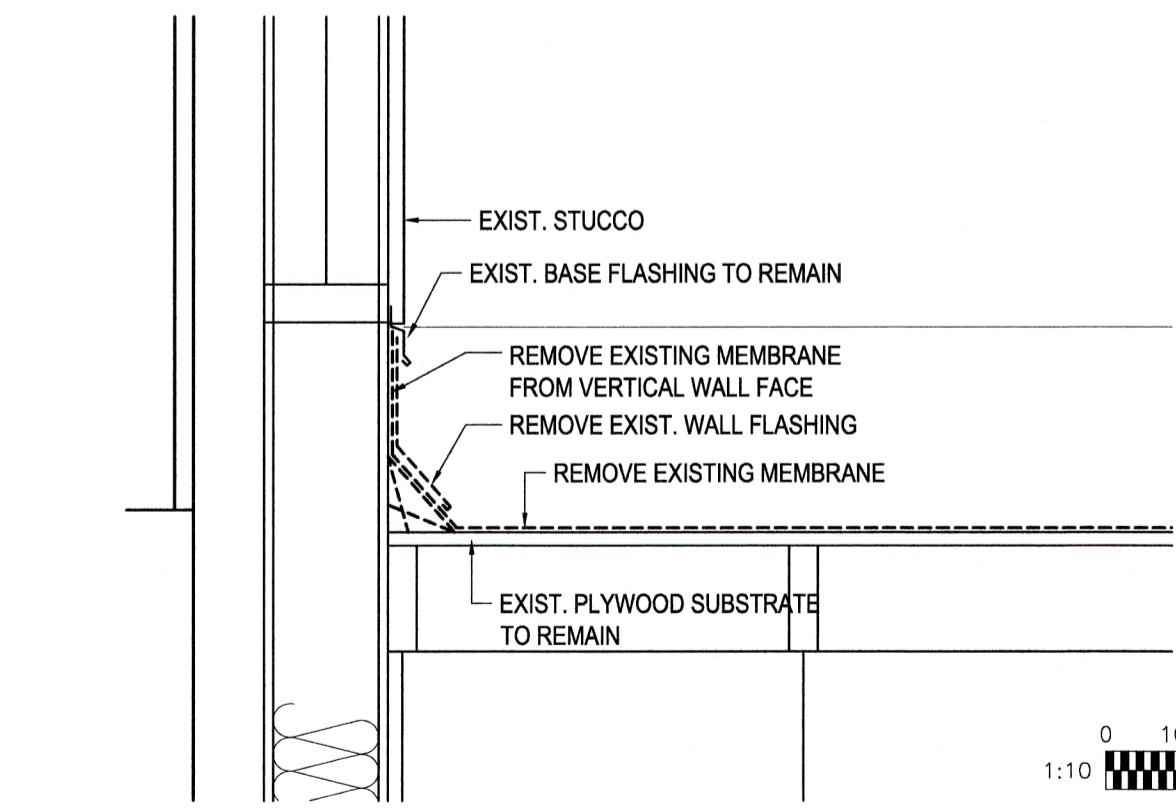
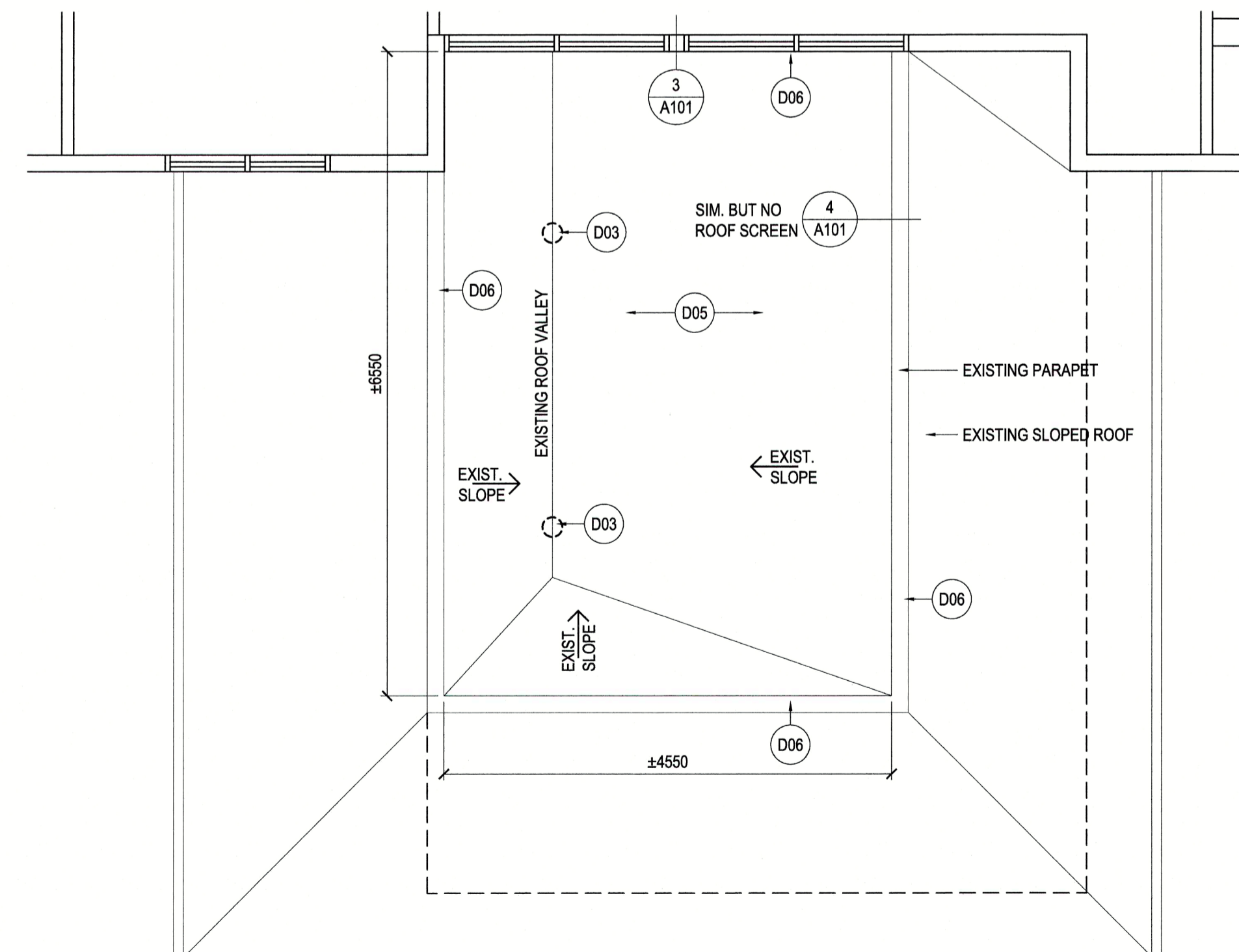
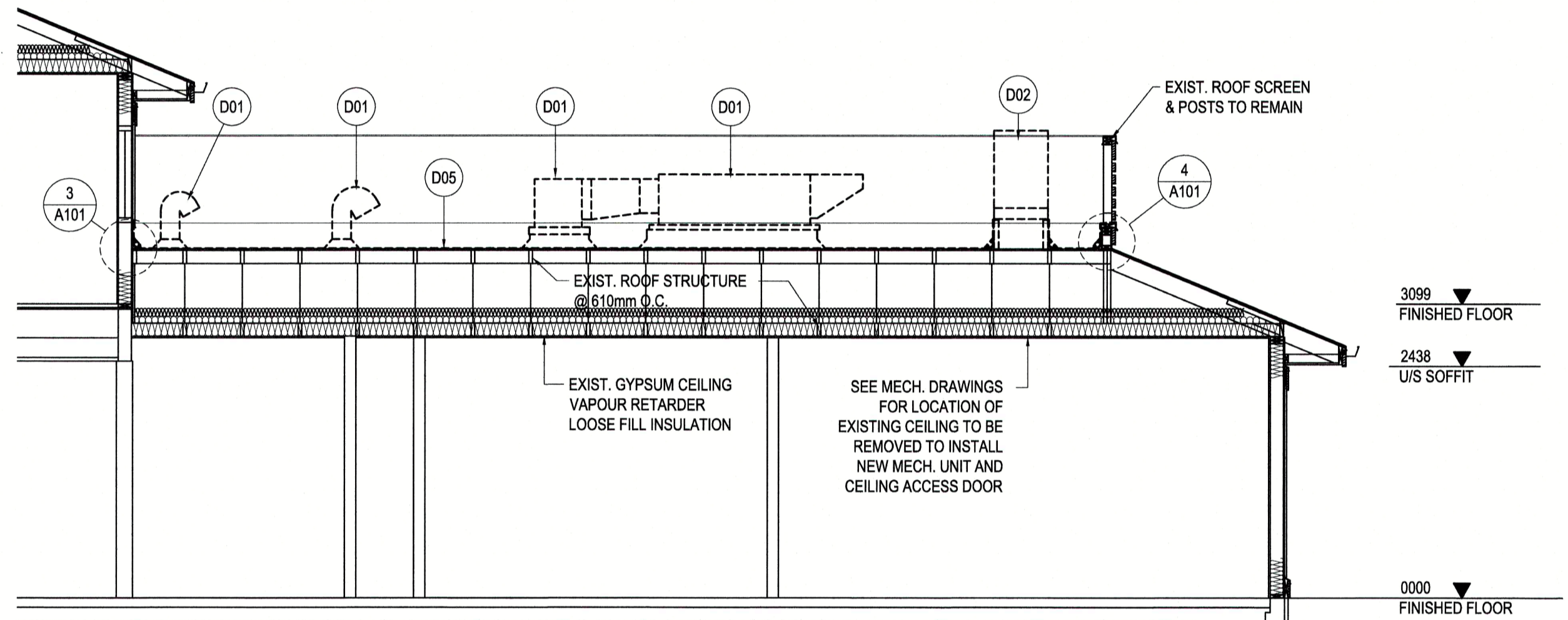
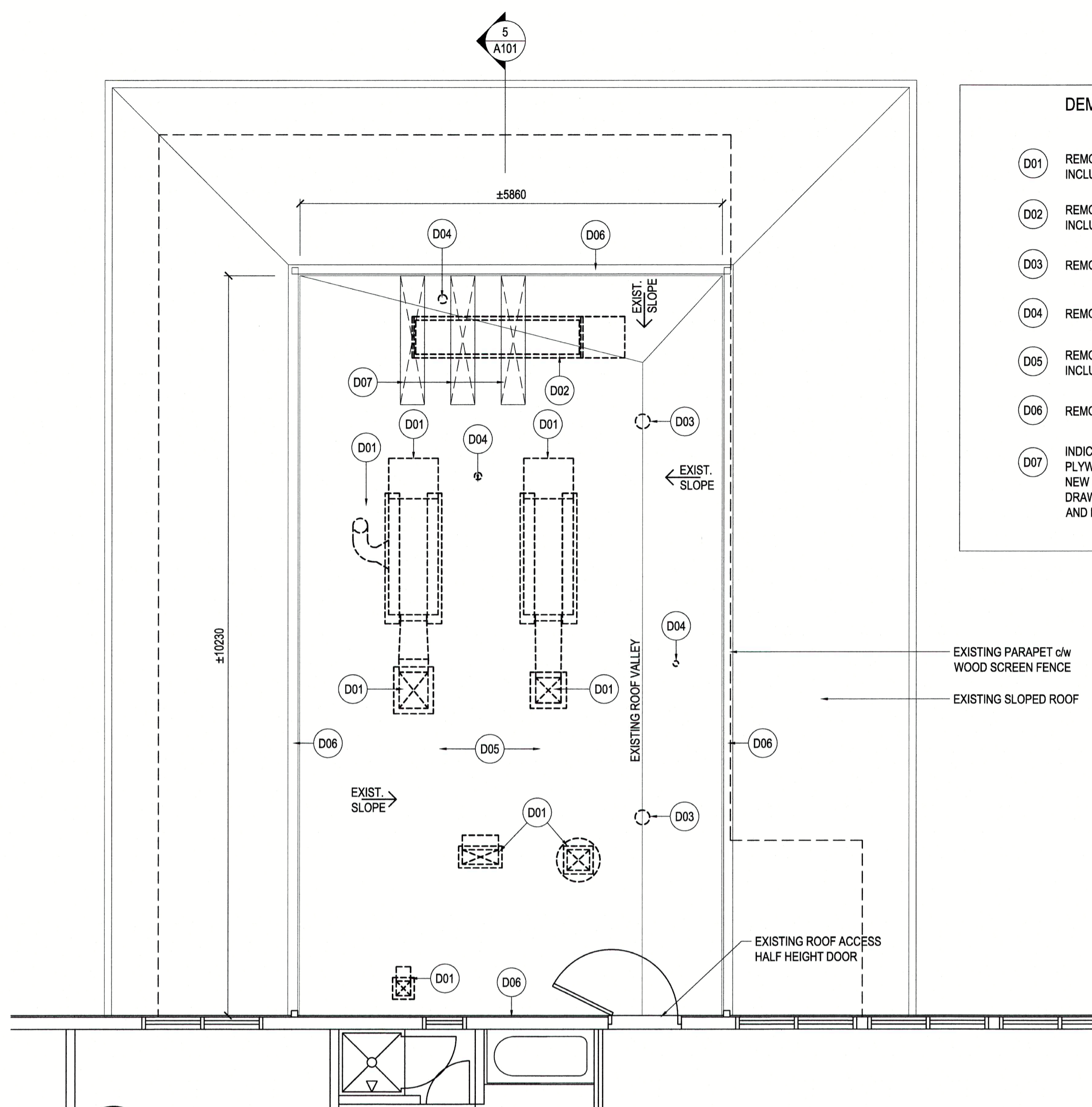
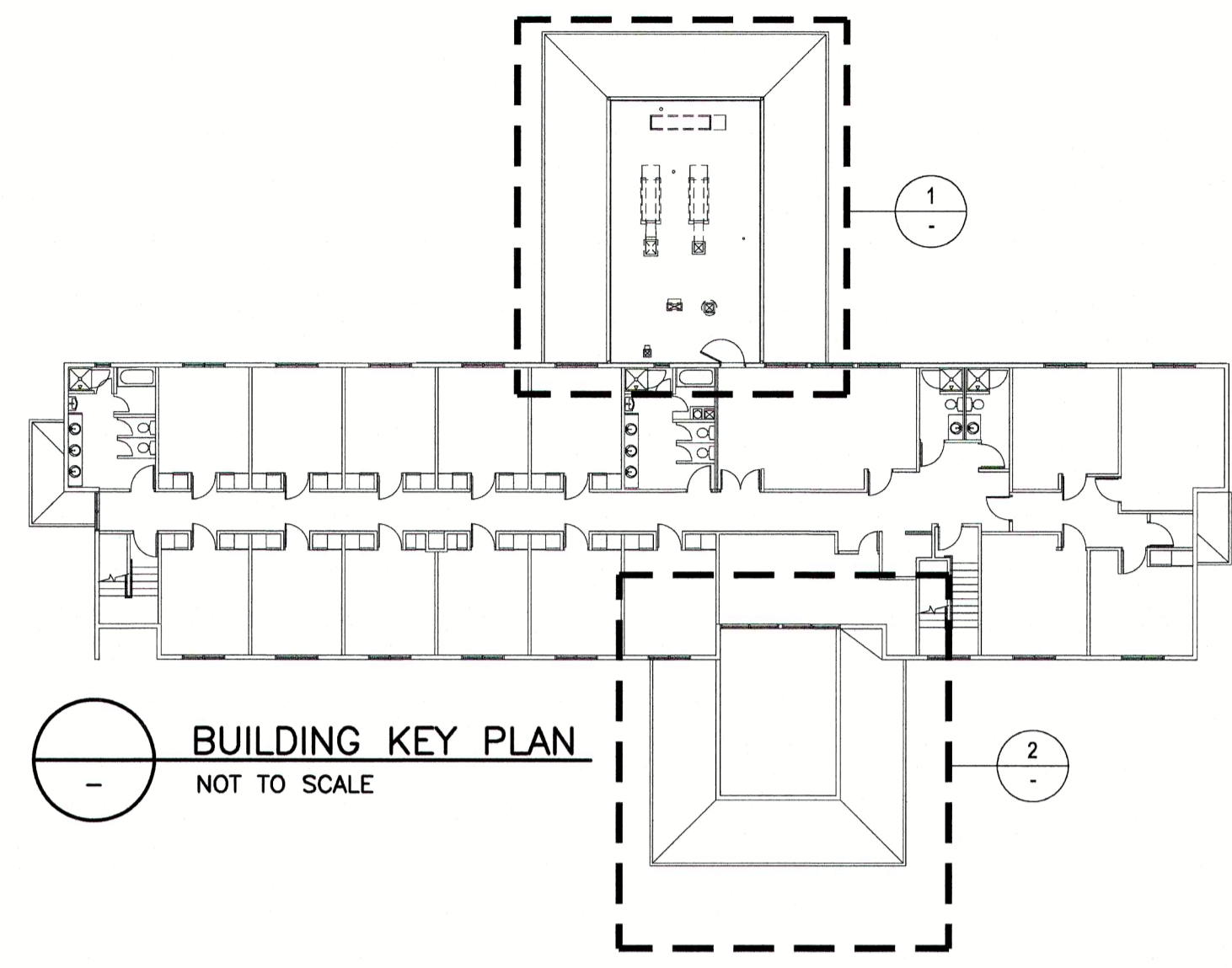
PWGSC, Regional Manager, Architectural and Engineering Services / Gestionnaire régionale, Services d'architecture et de génie, TPSCG  
**PREETIPAL PAUL**

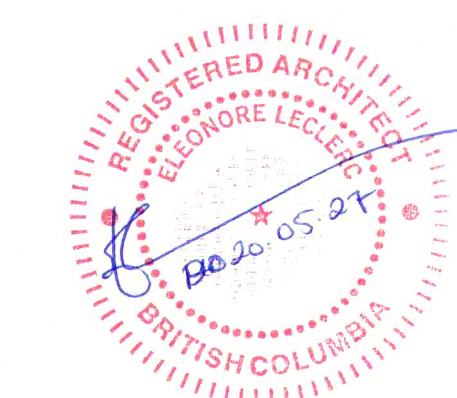
Drawing Title/Titre du dessin

**ROOF PLAN - DEMOLITION DETAILS - DEMOLITION**

Project No./No. du projet <b>R.097948.001</b>	Sheet/Fauille <b>A101</b>	Revision no./La Révision no. <b>0</b>
--	------------------------------	--

- DEMOLITION KEY NOTES**
- (D01) REMOVE EXISTING MECHANICAL UNITS & DUCTS INCLUDING FLASHINGS & CURBS
  - (D02) REMOVE EXISTING MECHANICAL EQUIPMENT INCLUDING INTEGRAL CURB
  - (D03) REMOVE EXISTING ROOF DRAINS
  - (D04) REMOVE EXISTING ROOF PENETRATION SLEEVE
  - (D05) REMOVE EXISTING ROOF MEMBRANE INCLUDING MEMBRANE AT PARAPETS AND WALL
  - (D06) REMOVE EXISTING PARAPET AND WALL FLASHING
  - (D07) INDICATES APPROXIMATE EXTENT OF EXISTING ROOF PLYWOOD TO BE REMOVED TO INSTALL NEW STRUCTURAL FRAMING. REFER TO STRUCTURAL DRAWINGS FOR ADDITIONAL NOTES ON FRAMING AND NEW PLYWOOD INSTALLATION





0	ISSUED FOR TENDER	2020.05.27
Revision/ Révision	Description/ Description	Date/ Date
Client/ client		

**CORRECTIONAL SERVICE CANADA**

Project Title/ Titre du projet  
**CHILLIWACK CORRECTIONAL CENTRE  
CHILLIWACK, BC**

**FLAT ROOF REPAIR AND  
HVAC REPLACEMENT**

Consultant Signature Box Only

Designed by/ Concept par

**CG**

Drawn by/ Dessiné par

**CG**

PWGSC Project Manager/ Administrateur de Projets TPSCG

**KEN WENDT**

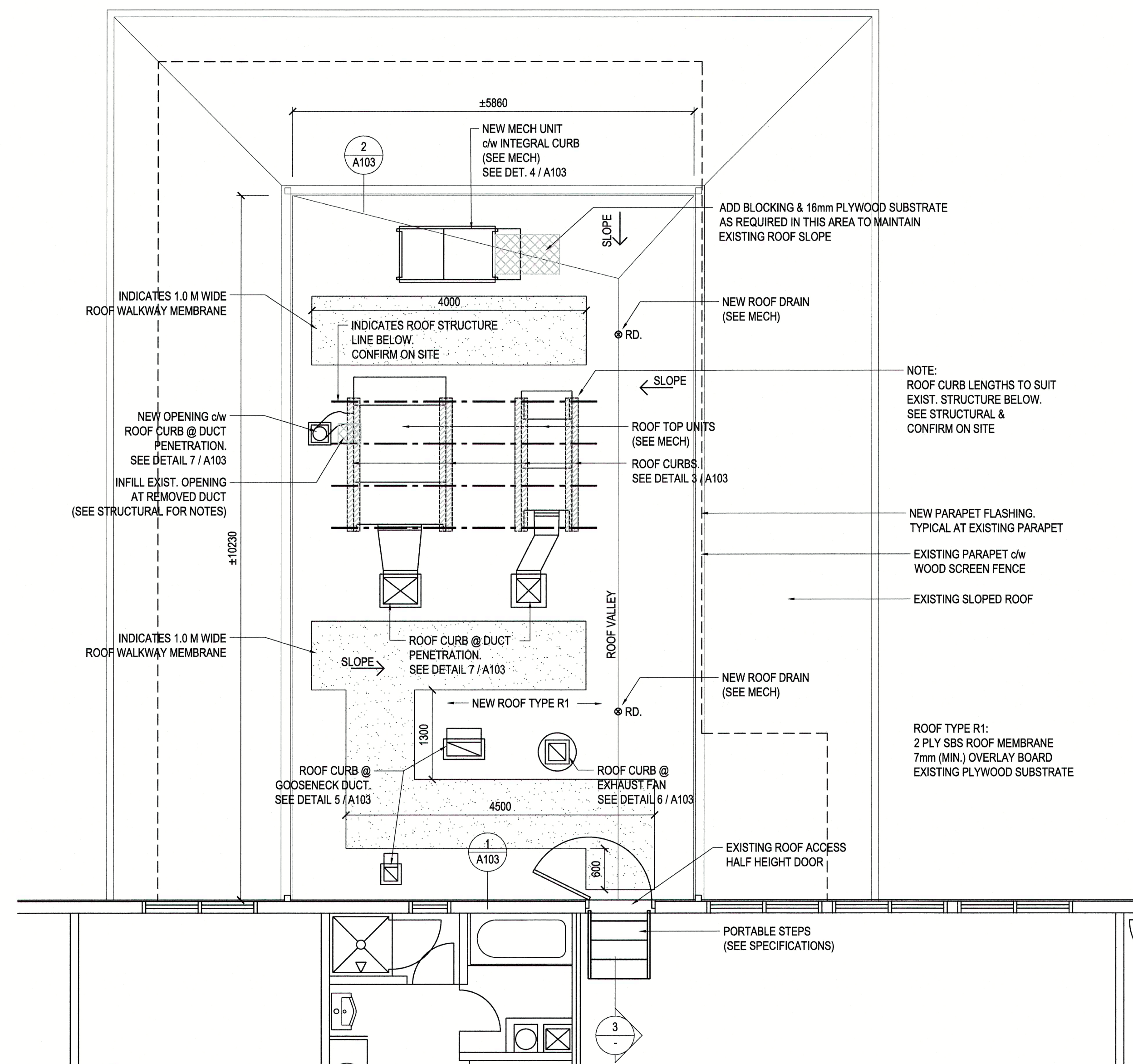
PWGSC, Regional Manager, Architectural and Engineering Services/  
Gestionnaire régionale, Services d'architecture et de génie, TPSCG

**PREETIPAL PAUL**

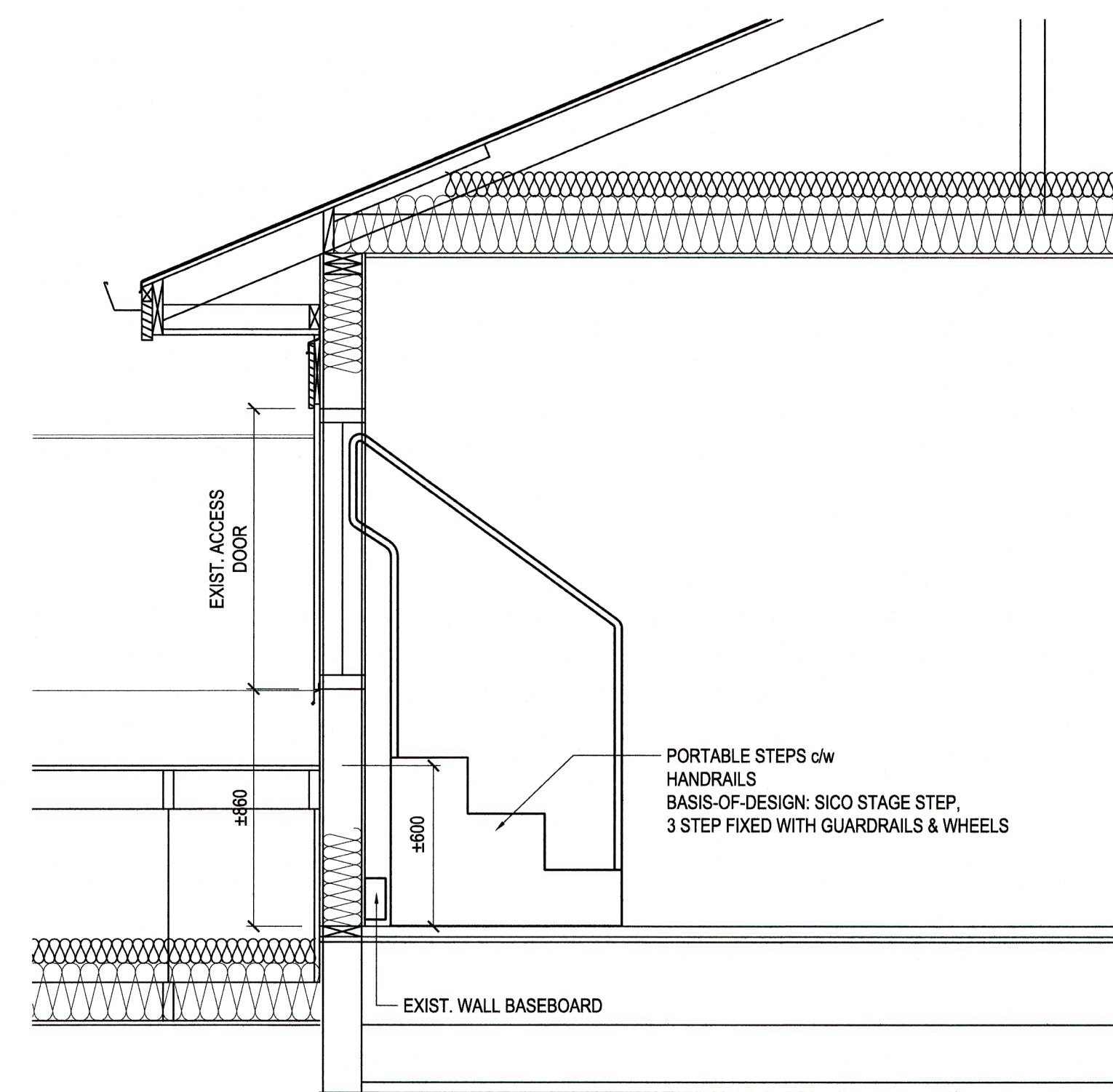
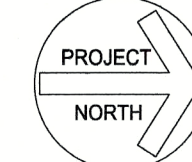
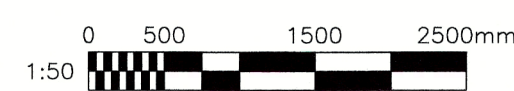
Drawing Title/ Titre du dessin

**ROOF PLAN - NEW  
STAIR SECTION**

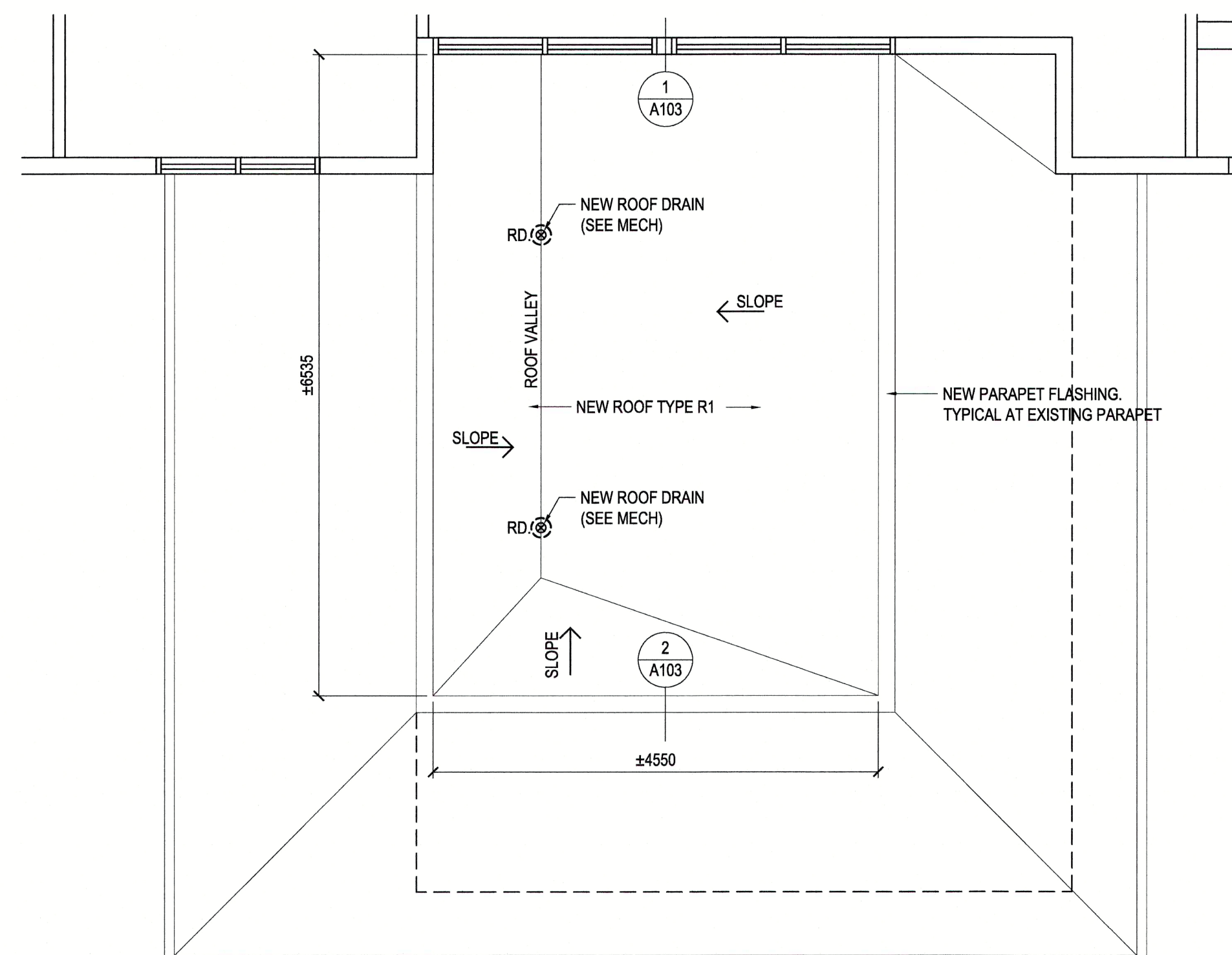
Project No./ No. du projet	Sheet/ Feuille	Revision no./ La Révision no.
<b>R.097948.001</b>	<b>A102</b> 2 OF 4	<b>0</b>



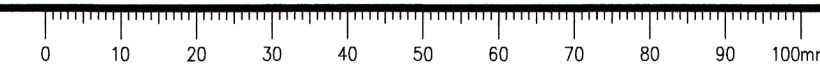
**1** ROOF PLAN WEST - NEW  
1:50

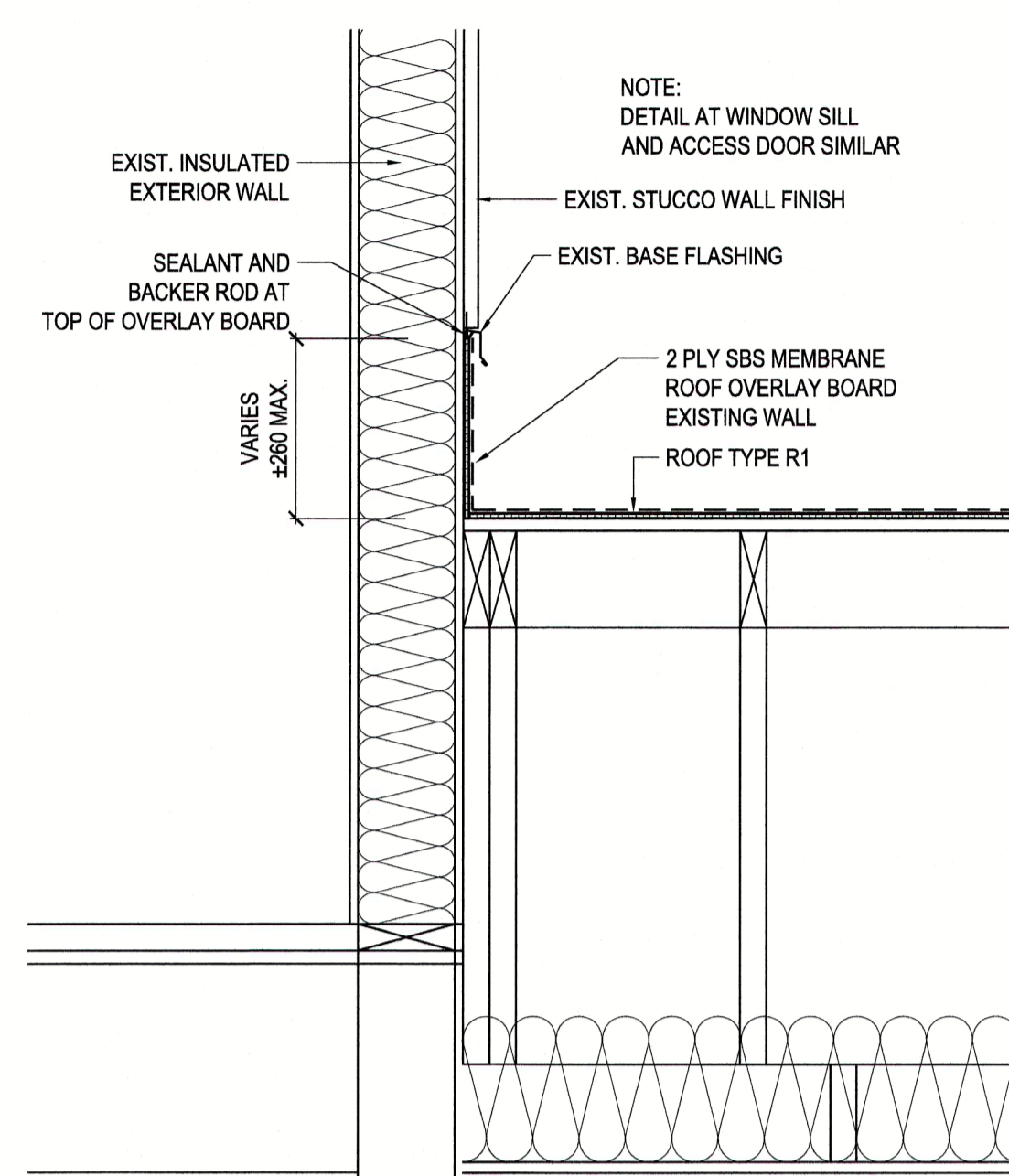


**3** STAIR SECTION  
1:20

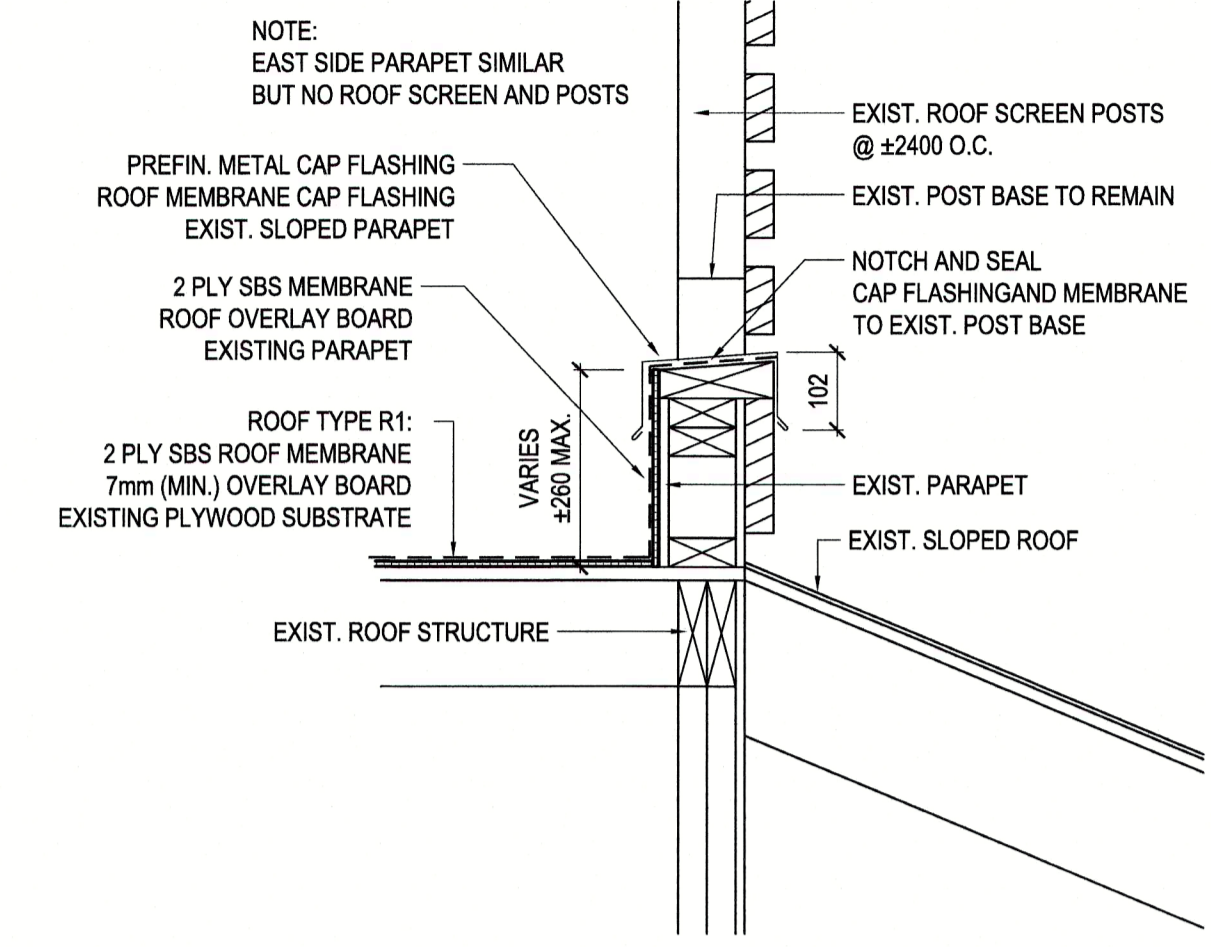


**2** ROOF PLAN EAST - NEW  
1:50

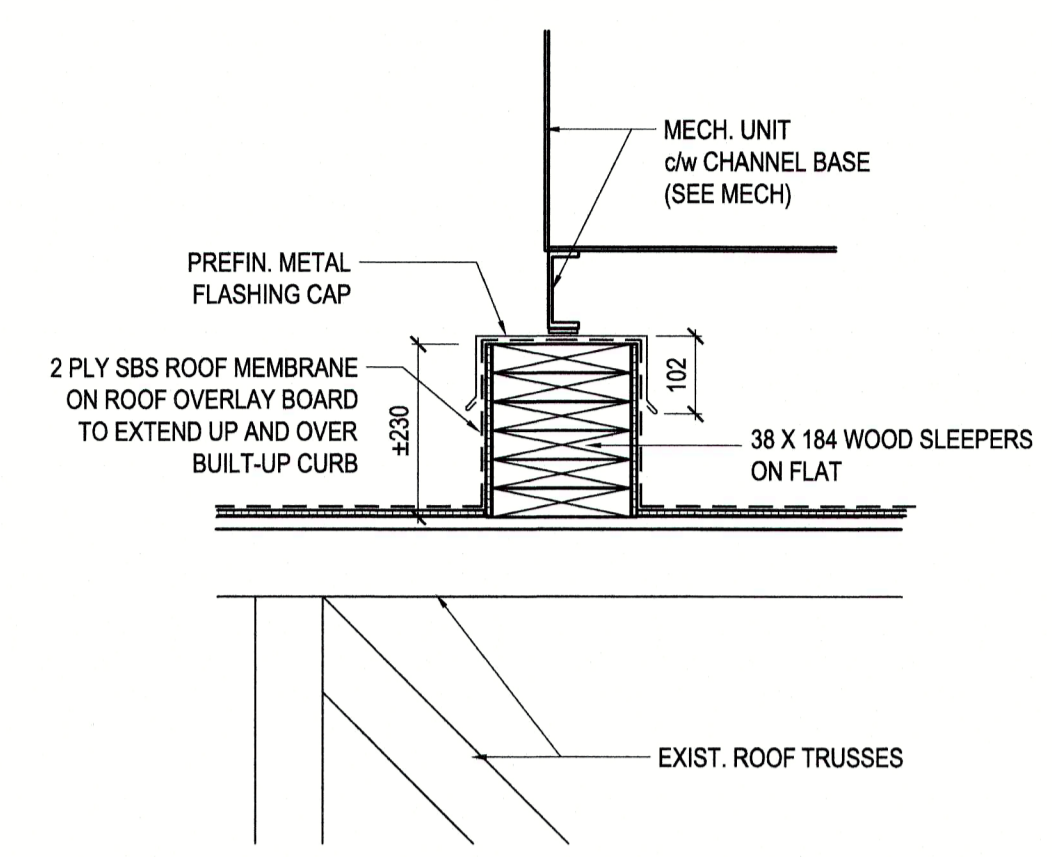




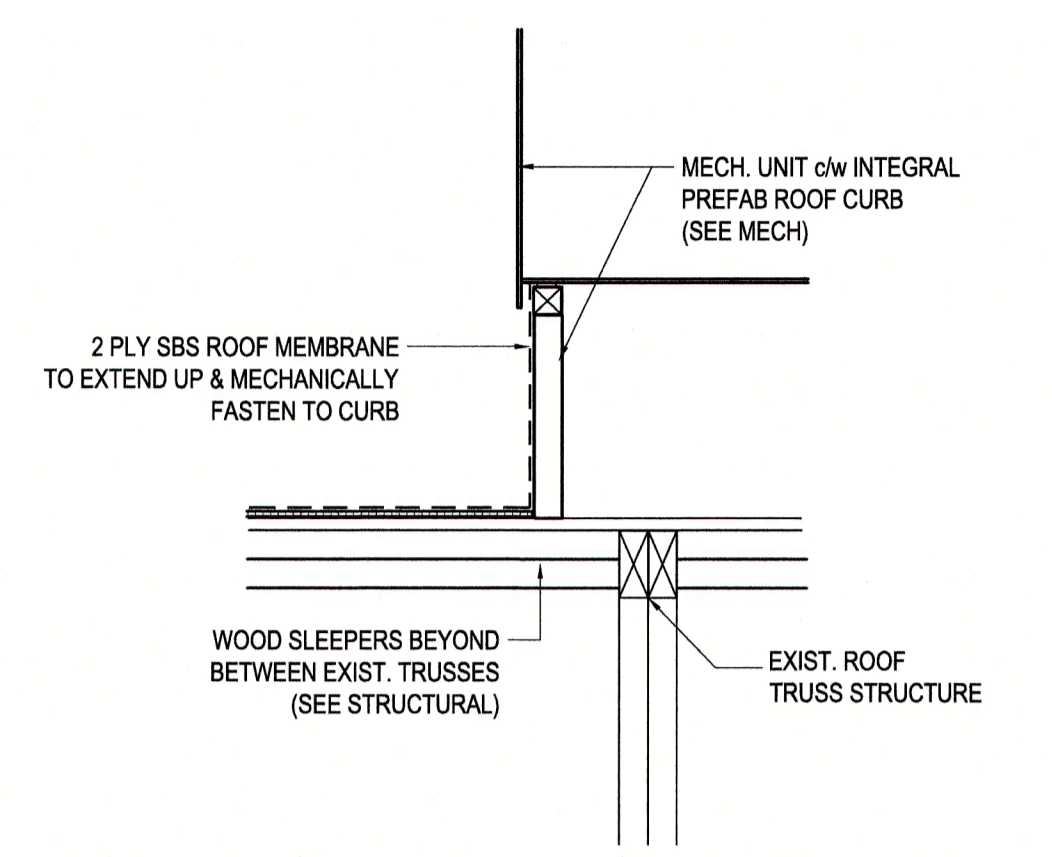
**1** ROOF / WALL DETAIL  
A102 1:10



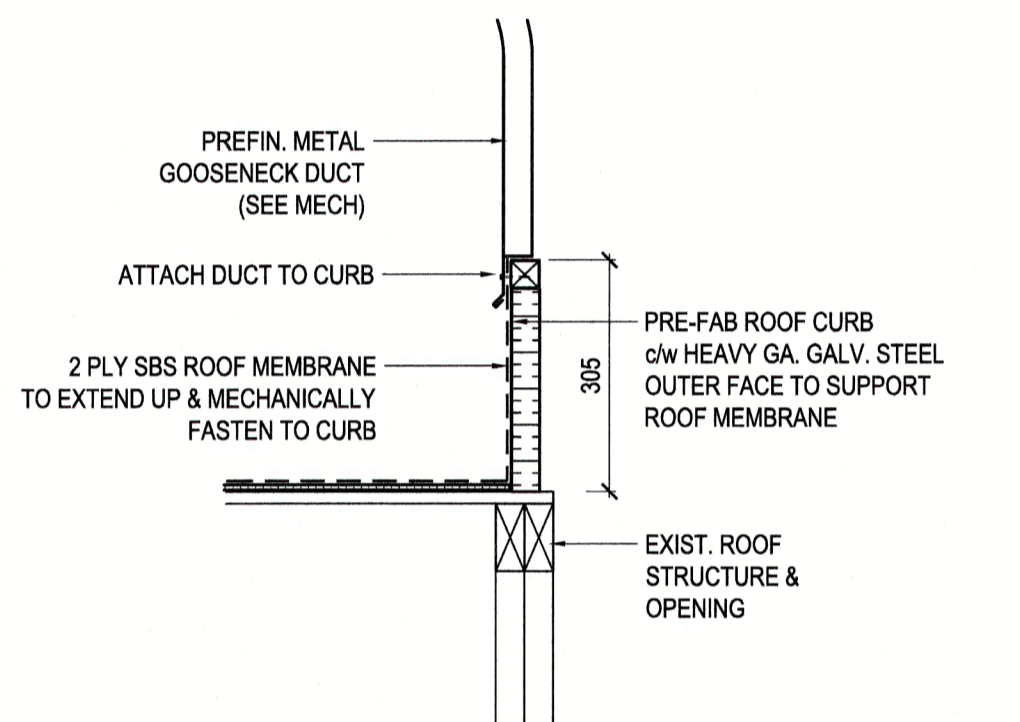
**2** ROOF / PARAPET DETAIL  
A102 1:10



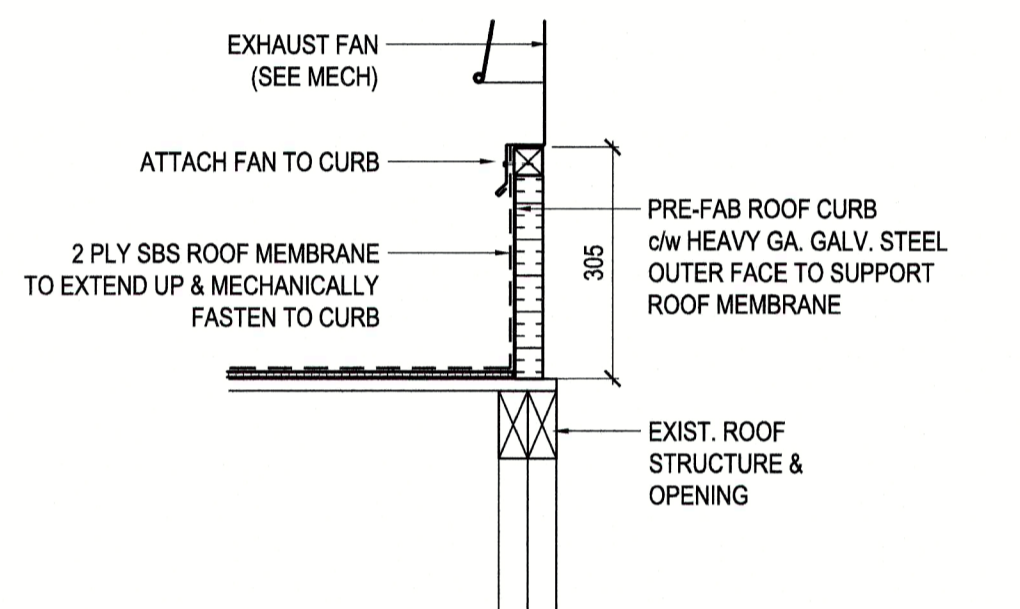
**3** ROOF SLEEPER CURB  
A102 1:10



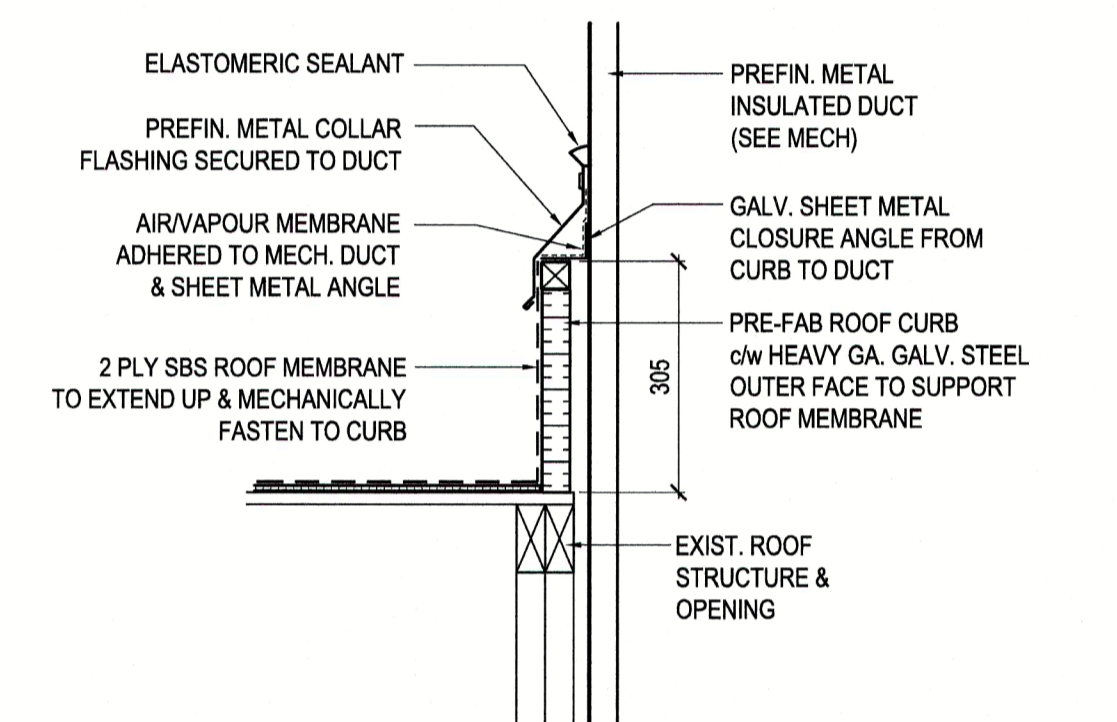
**4** MECHANICAL UNIT ROOF CURB  
A102 1:10



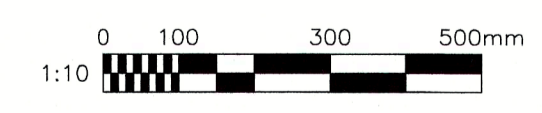
**5** GOOSENECK DUCT ROOF CURB  
A102 1:10



**6** EXHAUST FAN CURB  
A102 1:10



**7** MECHANICAL DUCT CURB  
A102 1:10



0	ISSUED FOR TENDER	2020.05.27
Revision/	Description/Description	Date/Date

Client/client

**CORRECTIONAL SERVICE CANADA**

Project title/Titre du projet  
**CHILLIWACK CORRECTIONAL CENTRE  
CHILLIWACK, BC**

**FLAT ROOF REPAIR AND  
HVAC REPLACEMENT**

Consultant Signature Box Only

Designed by/Concept par  
**CG**

Drawn by/Dessine par  
**CG**

PWGSC Project Manager/Administrateur de Projets TPSGC  
**KEN WENDT**

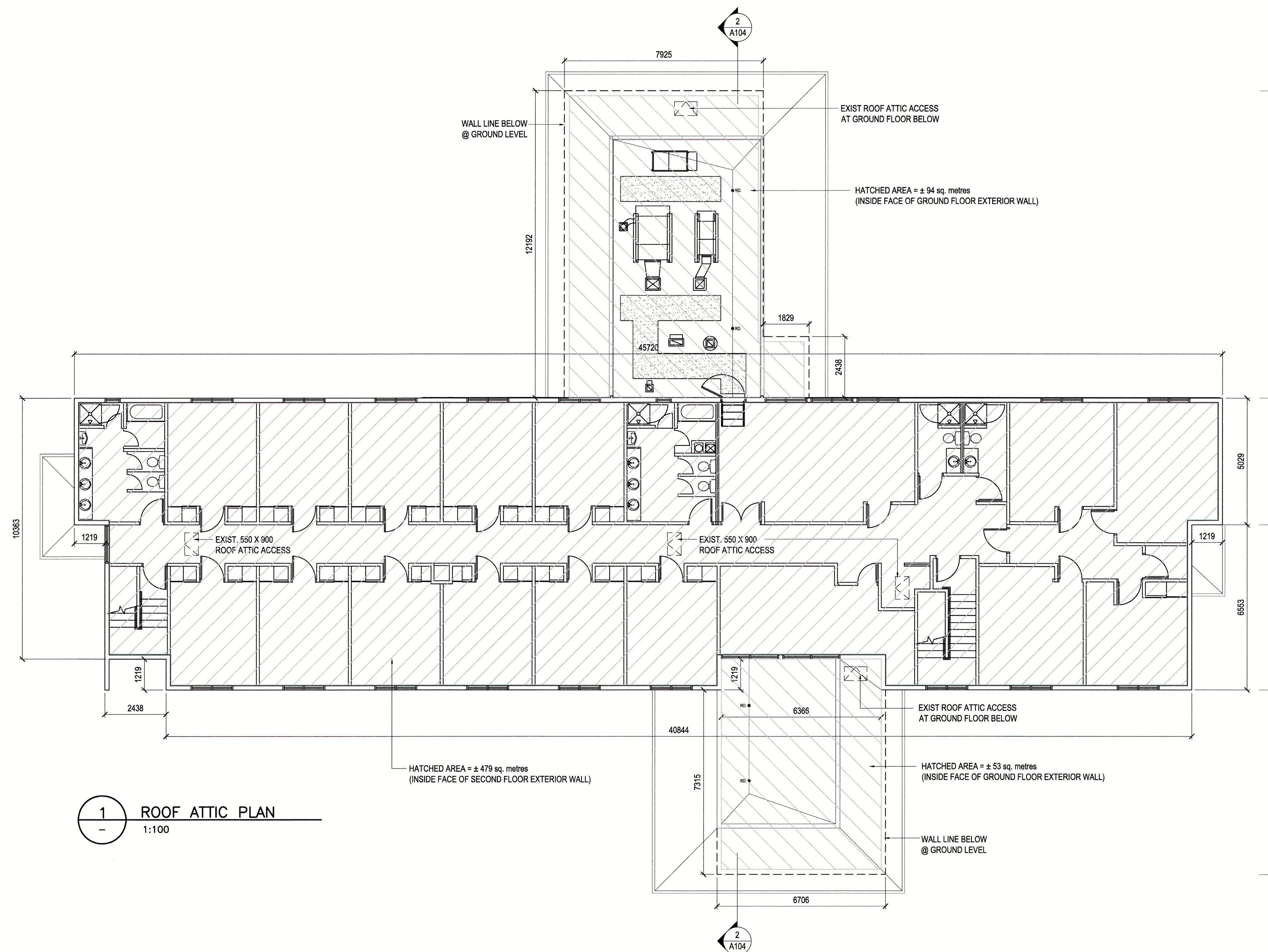
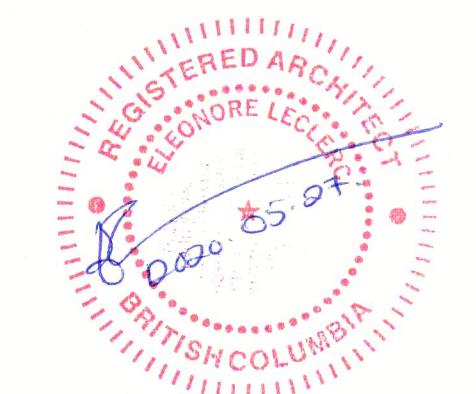
PWGSC Regional Manager, Architectural and Engineering Services/  
Gestionnaire régionale, Services d'architecture et de génie, TPSGC  
**PREETIPAL PAUL**

Drawing title/Titre du dessin

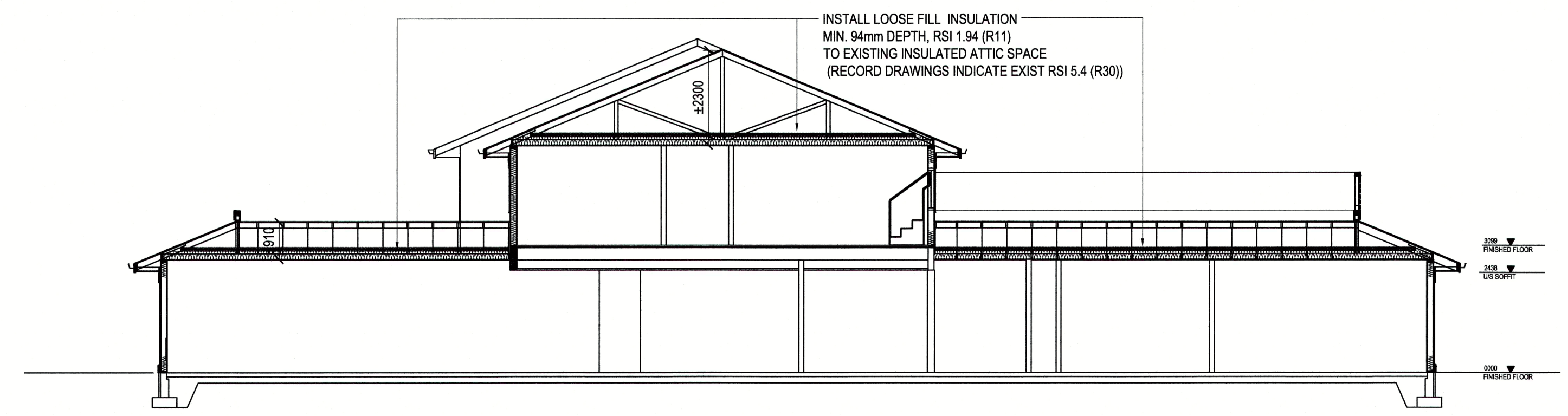
**ROOF DETAILS**

Project No./No. du projet <b>R.097948.001</b>	Sheet/Feuille <b>A103</b>	Revision no./ La Révision no. <b>0</b>
<b>3 OF 4</b>		

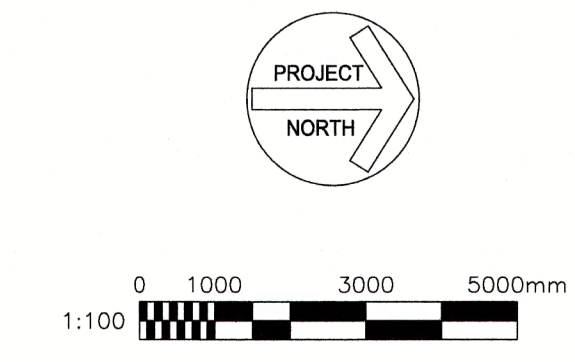




**1** ROOF ATTIC PLAN  
1:100



**2** BUILDING ATTIC SECTION  
1:100



Revision/Revision	Description/Description	Date/Date
0	ISSUED FOR TENDER	2020.05.27

Client/client  
**CORRECTIONAL SERVICE CANADA**

Project title/Titre du projet  
**CHILLIWACK CORRECTIONAL CENTRE CHILLIWACK, BC**

**FLAT ROOF REPAIR AND HVAC REPLACEMENT**

Consultant Signature Box Only

Designed by/Concept par  
**CG**

Drawn by/Dessine par  
**CG**

PWGSC Project Manager/Administrateur de Projets TPSCG  
**KEN WENDT**

PWGSC, Regional Manager, Architectural and Engineering Services/  
Gestionnaire régionale, Services d'architecture et de génie, TPSCG  
**PREETIPAL PAUL**

Drawing title/Titre du dessin

**ROOF ATTIC PLAN  
ROOF ATTIC SECTION**

Project No./No. du projet <b>R.097948.001</b>	Sheet/Fauille <b>A104</b> 4 OF 4	Revision no./ La Révision no. <b>0</b>
--	--	--

