

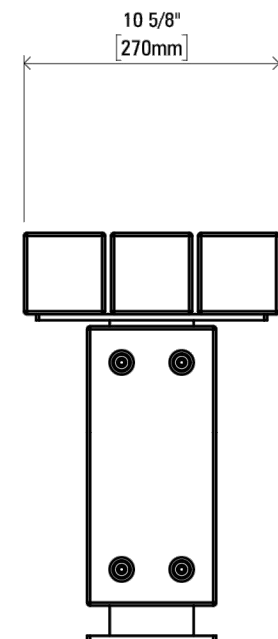
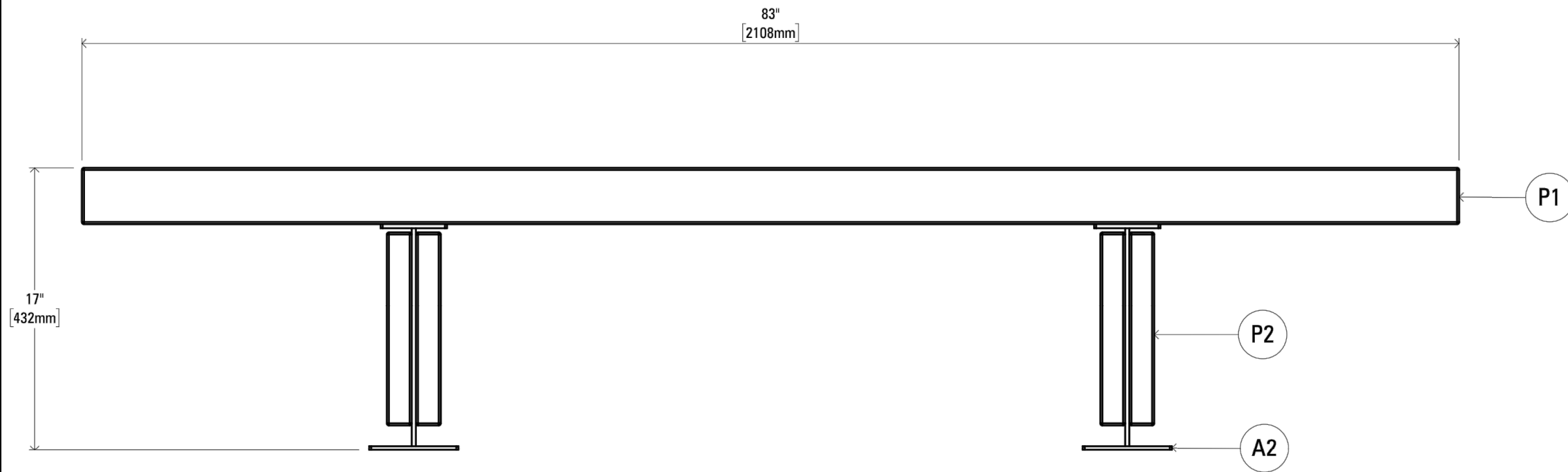


List of plans/ Liste des plans	page
General view/ Vue générale	SK-01
Configuration	SK-02
Assembly/ Assemblage	SK-03
Installation	SK-04
Branding/ Image de marque	SK-05
Details	SK-06 SK-07 SK-08

 <small>CLIENT</small>  Parks Canada / Parcs Canada	<small>PROJECT NAME</small> PEYTO LAKE DAY USE AREA REHABILITATION	<small>PROJECT NUMBER</small> CT184101
	<small>SHEET TITLE</small> PRESENTATION	<small>FIGURE NUMBER</small> SK-00
		<small>ISSUE/REVISION</small> A



Parts list / Liste des pièces

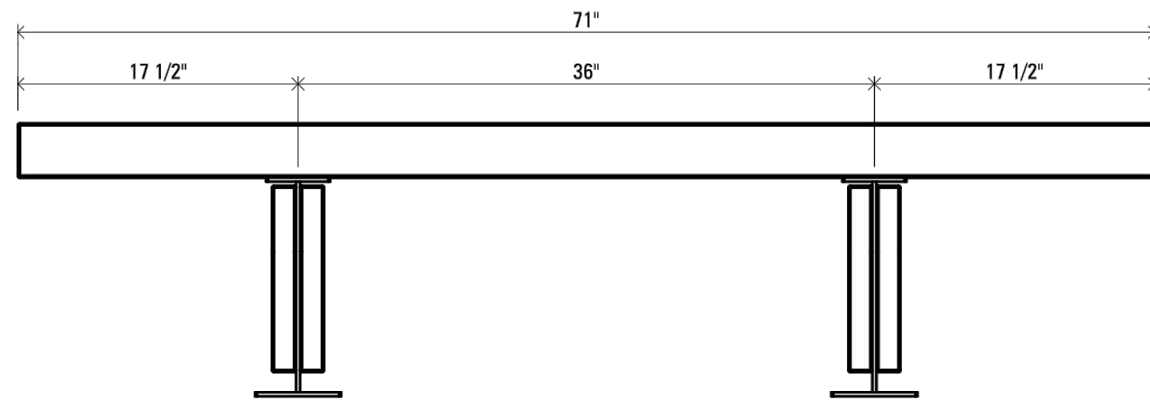
Item	Description		Qty/ Qté	Page
A2	Structure	<i>Structure</i>	2	6
P1	Bench slat	<i>Latte d'assise</i>	3	8
P2	Leg slat	<i>Latte piétement</i>	4	8

Hardware / Quincaillerie

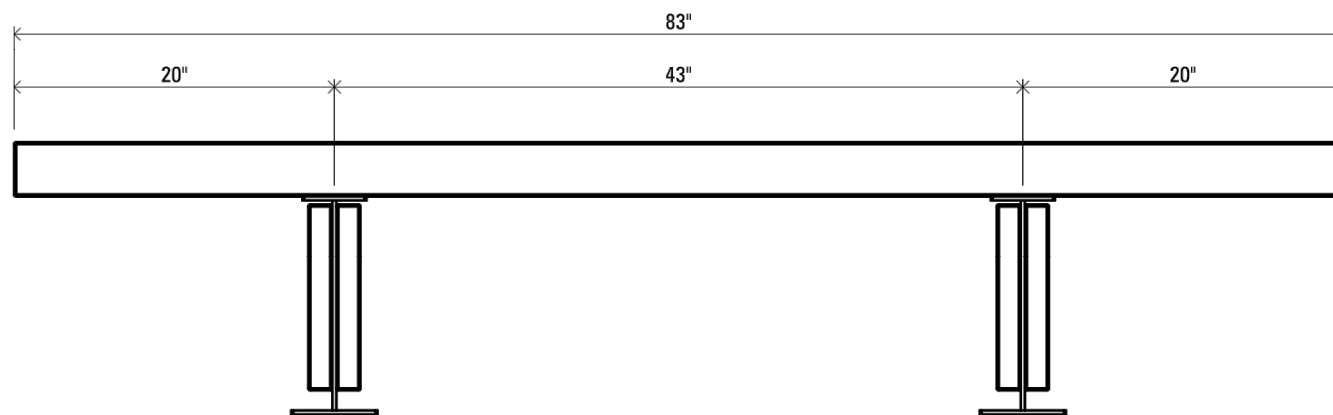
Item	Description		Qty/ Qté
Q NT	Tee Nut Insert for Wood, Stainless Steel, 3/8"-16	<i>Écrou en "T" pour bois, Acier Inox, 3/8"-16</i>	8
QW	Washer, Stainless Steel, 3/8" Screw Size	<i>Rondelle Plate, Acier Inox, Vis 3/8"</i>	8
Q SBH	Button Head Hex Drive Screw, Stainless Steel, 3/8"-16, 3" Long	<i>Vis Calibrée Tête Bombée à 6 Pans Creux, Acier Inox, 3/8"-16, Long: 3"</i>	8
Q SFW	Square-Drive Flat Head Screws for Wood, Stainless Steel, #14, 1-1/4" Long	<i>Vis à Bois à Tête Plate Fraisée à Pan Carré, Acier inox, #14, Long: 1-1/4"</i>	24



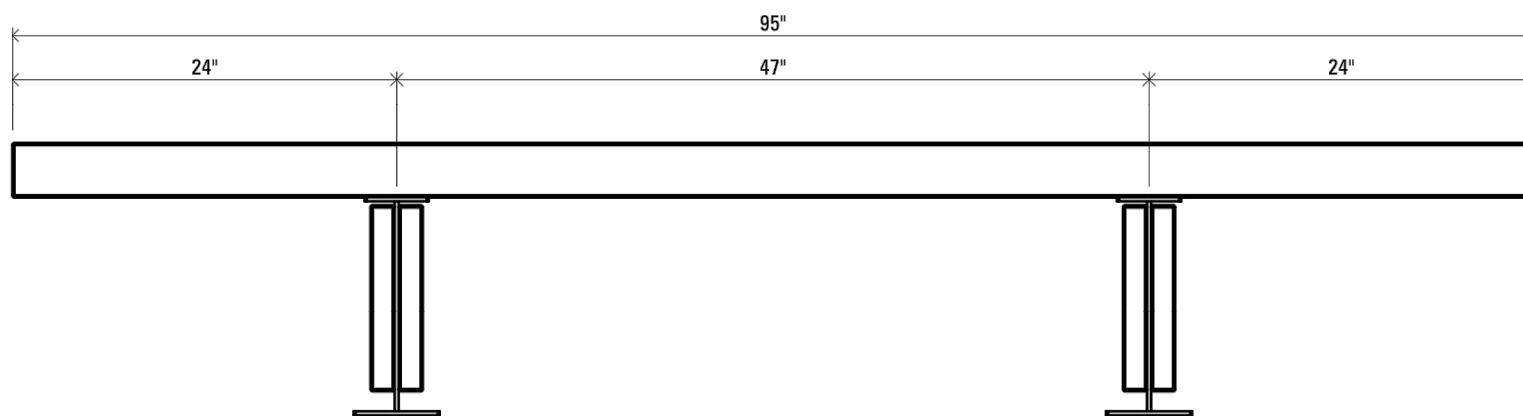
	PROJECT NAME	PEYTO LAKE DAY USE AREA REHABILITATION	PROJECT NUMBER	CT184101
	CLIENT	Parks Canada Parcs Canada	SHEET TITLE	GENERAL A1
			FIGURE NUMBER	SK-01
			ISSUE/REVISION	A



Essentials Trail Bench 6' / Banc Sentier Essentials 6'



Essentials Trail Bench 7' / Banc Sentier Essentials 7'

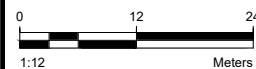




Essentials Trail Bench 8' / Banc Sentier Essentials 8'

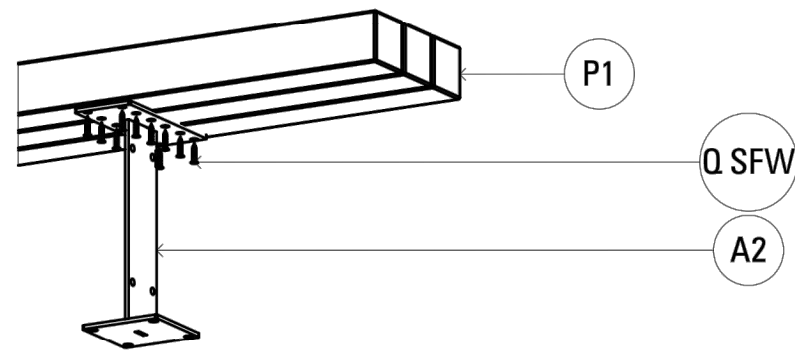
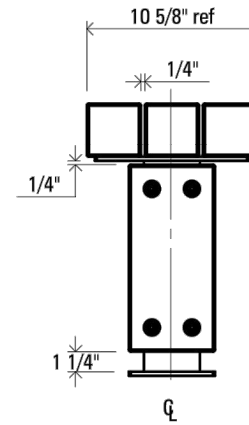
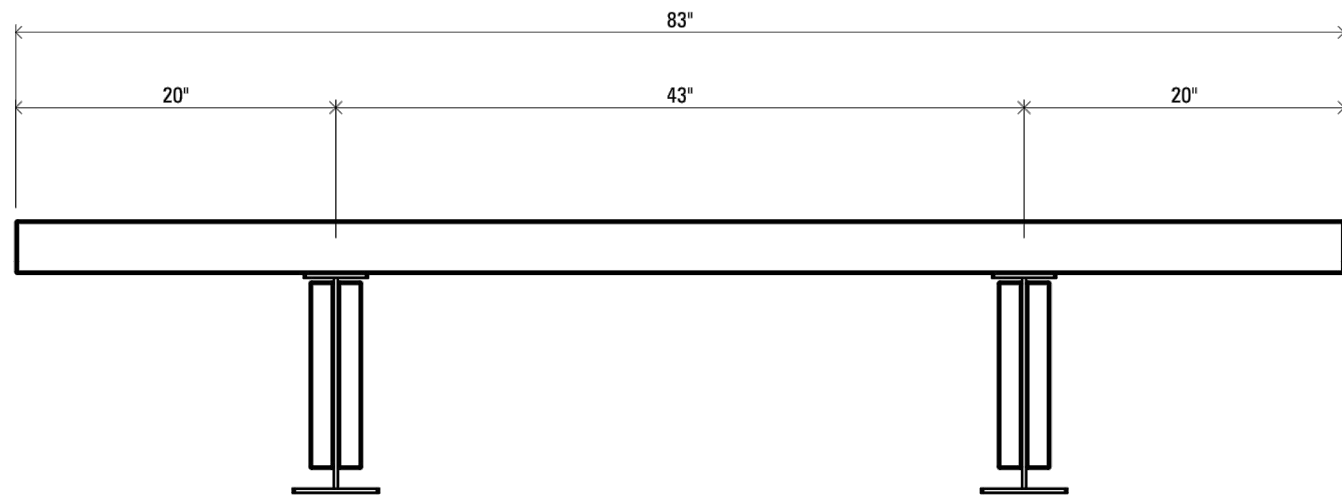
Notes

The bench illustrated in this set of drawings is 7 feet long. It can also be made in 6 feet and 8 feet

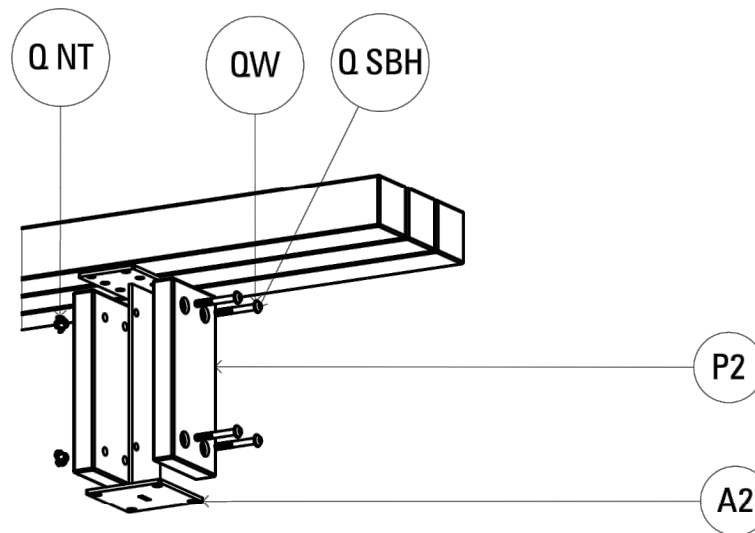
Le banc illustré dans cet ensemble de dessins mesure 7 pieds. Il peut également être fabriqué en version 6 pieds et 8 pieds.



 CLIENT  Parks Canada / Parcs Canada	PROJECT NAME PEYTO LAKE DAY USE AREA REHABILITATION	PROJECT NUMBER CT184101
	SHEET TITLE CONFIGURATION	FIGURE NUMBER SK-02
		ISSUE/REVISION A



1. Seat assembly/ Assemblage d'assise



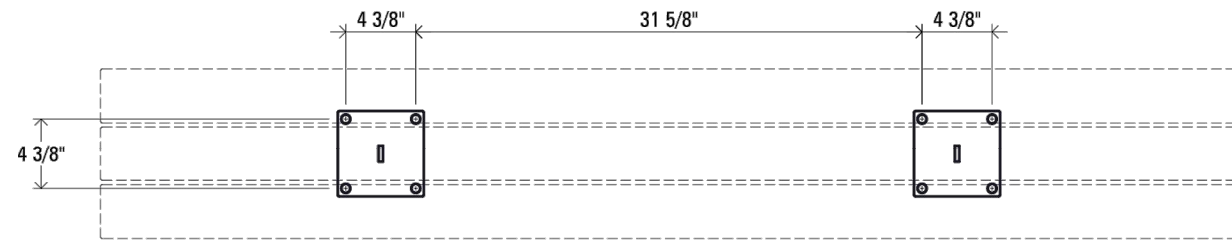
2. Leg assembly/ Assemblage du pietement

Parts list/ Liste des pièces

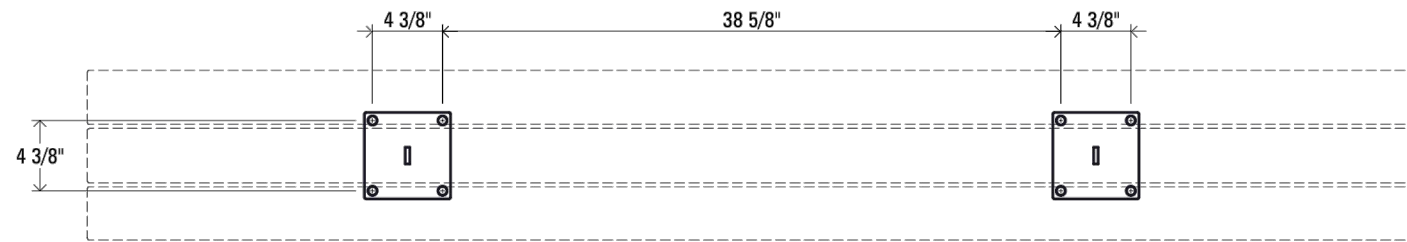
Item	Description		Qty/ Qte
A2	Structure	<i>Structure</i>	2
P1	Bench slat	<i>Latte d'assise</i>	3
P2	Leg slat	<i>Latte pietement</i>	4
Q NT	Tee Nut Insert for Wood, Stainless Steel, 3/8"-16	<i>Écrou en "T" pour bois, Acier Inox, 3/8"-16</i>	8
QW	Washer, Stainless Steel, 3/8" Screw Size	<i>Rondelle Plate, Acier Inox, Vis 3/8"</i>	8
Q SBH	Button Head Hex Drive Screw, Stainless Steel, 3/8"-16, 3" Long	<i>Vis Calibrée Tête Bombée à 6 Pans Creux, Acier Inox, 3/8"-16, Long: 3"</i>	8
Q SFW	Square-Drive Flat Head Screws for Wood, Stainless Steel, #14, 1-1/4" Long	<i>Vis à Bois à Tête Plate Fraisée à Pan Carré, Acier inox, #14, Long: 1-1/4"</i>	24



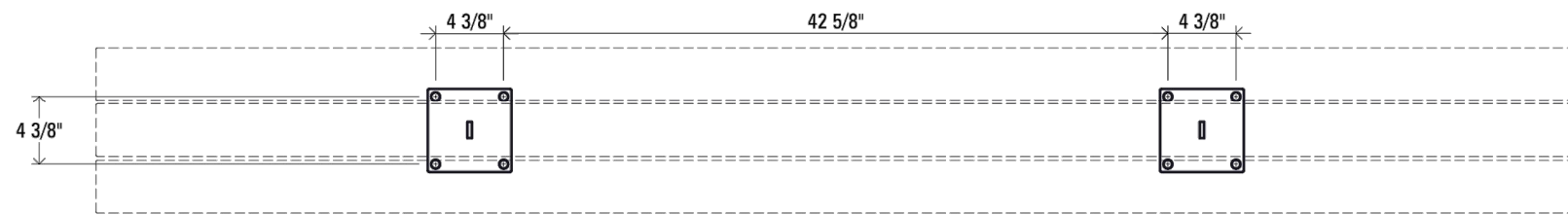
	PROJECT NAME	PEYTO LAKE DAY USE AREA REHABILITATION	PROJECT NUMBER	CT184101
	CLIENT	Parks Canada	SHEET TITLE	ASSEMBLY
			FIGURE NUMBER	SK-03
			ISSUE/REVISION	A



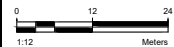
6'



7'



8'



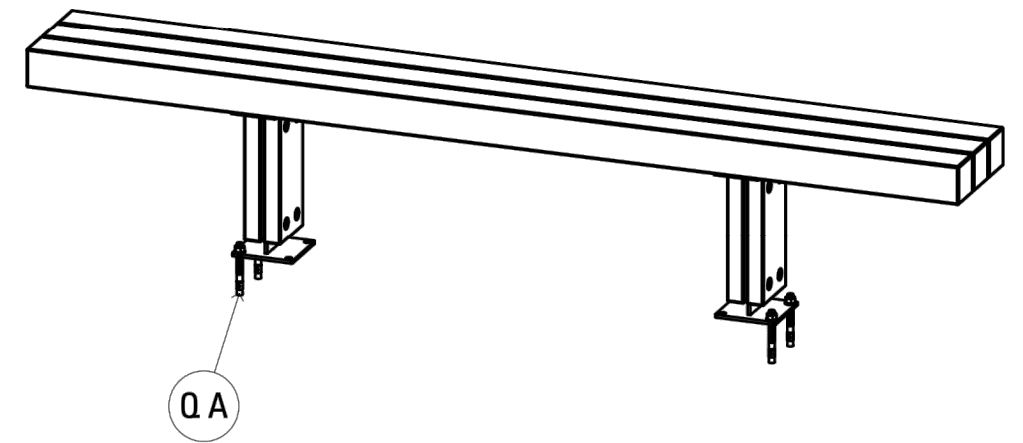
Hardware / Quincaillerie

Item	Description	Qty/ Qtd
Q A	Stud Anchor for Concrete, Stainless steel, 1/2" Diameter, 4-1/2" Long	Cheville d'ancrage pour béton, Acier inox, 1/2" Diamètre, Long: 4-1/2" 4

Notes

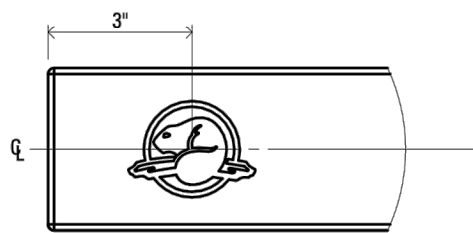
Install anchor once the furniture is in.

Installer les ancrages une fois que le mobilier est sur place..

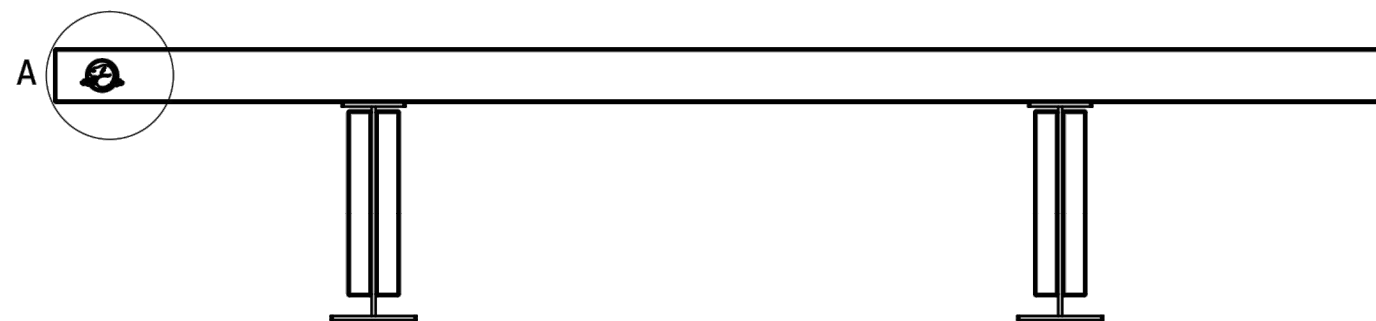


	PROJECT NAME	PEYTO LAKE DAY USE AREA REHABILITATION	PROJECT NUMBER	CT184101
	CLIENT	Parks Canada	SHEET TITLE	INSTALLATION
			FIGURE NUMBER	SK-04
			ISSUE/REVISION	A

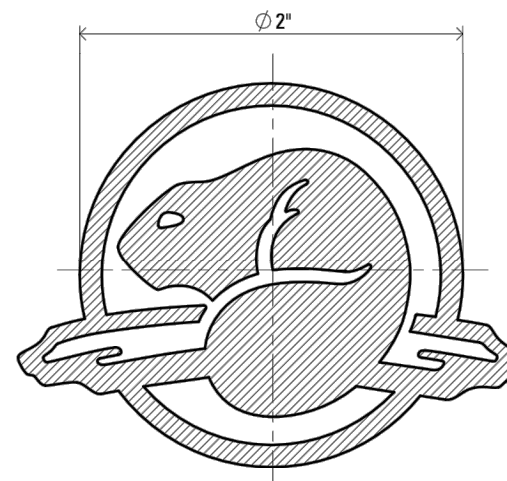
File Name: I:\pmpwin3\parks Canada CW Eng Services AB&BC 2015\2018 PROJECTS\CT184101 - Peyto Lake Day Use Area Rehabilitation - Branding - P1.dwg
 Saved By: Cng, Benjamin Plot Date: 200708 5:59 PM
 ANSIB 432mm x 279mm



Detail/ Détail A
Scale/ Échelle 1 : 4



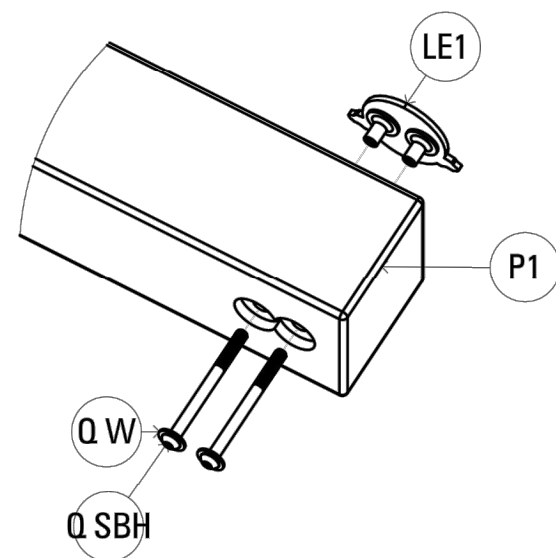
Positioning for all options/ Positionnement pour toutes les options



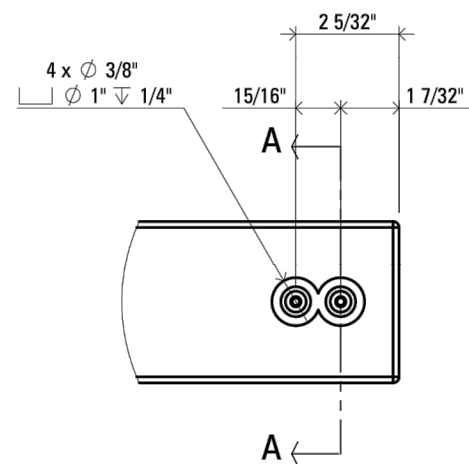
Parks Canada Brand Standards: Beaver Logo positive cut-out
 Parcs Canada Normes graphiques: Logo Castor découpe positive
 Scale/ Échelle 1:1

Option 1 : Surface treatment / Traitement de surface

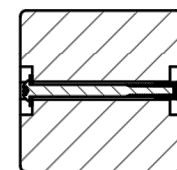
- 1.1 Hot iron stamping/ Estampage à chaud
- 1.2 Engraved 1/8" in wood / Gravé 1/8" dans le bois
- 1.3 Stencil. Use exterior paint, color RAL 9011/ Pochoir. Utiliser de la peinture extérieure, couleur RAL 9011



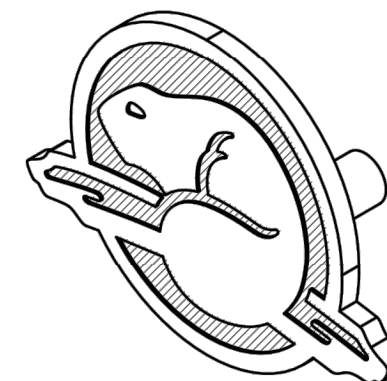
Assembly on wood timber/ Assemblage sur poutre de bois
Scale/ Échelle 1:4



Holes positioning/ Positionnement des perçages
Scale/ Échelle 1:4



Section / Coupe A-A
Scale/ Échelle 1 : 4



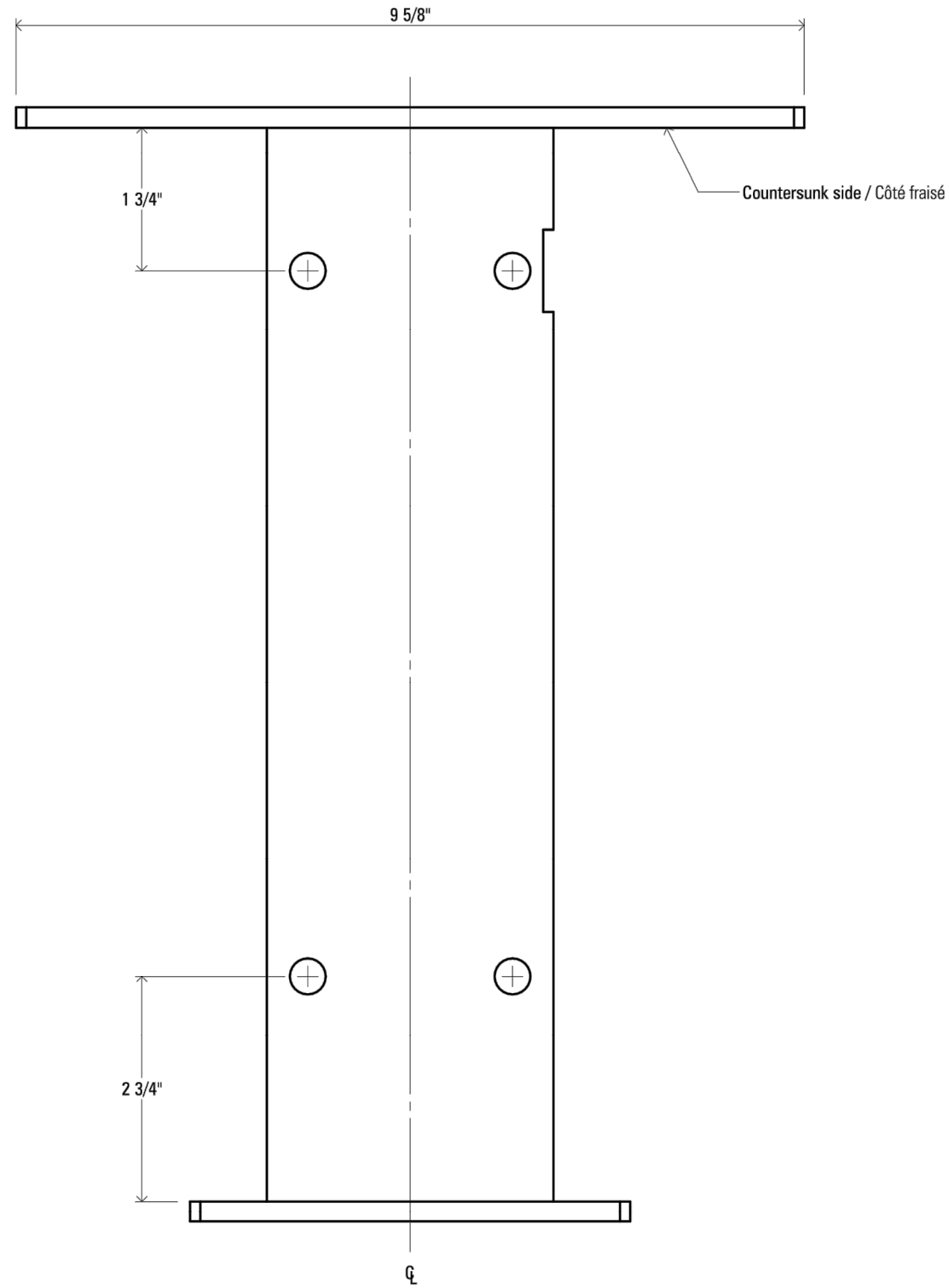
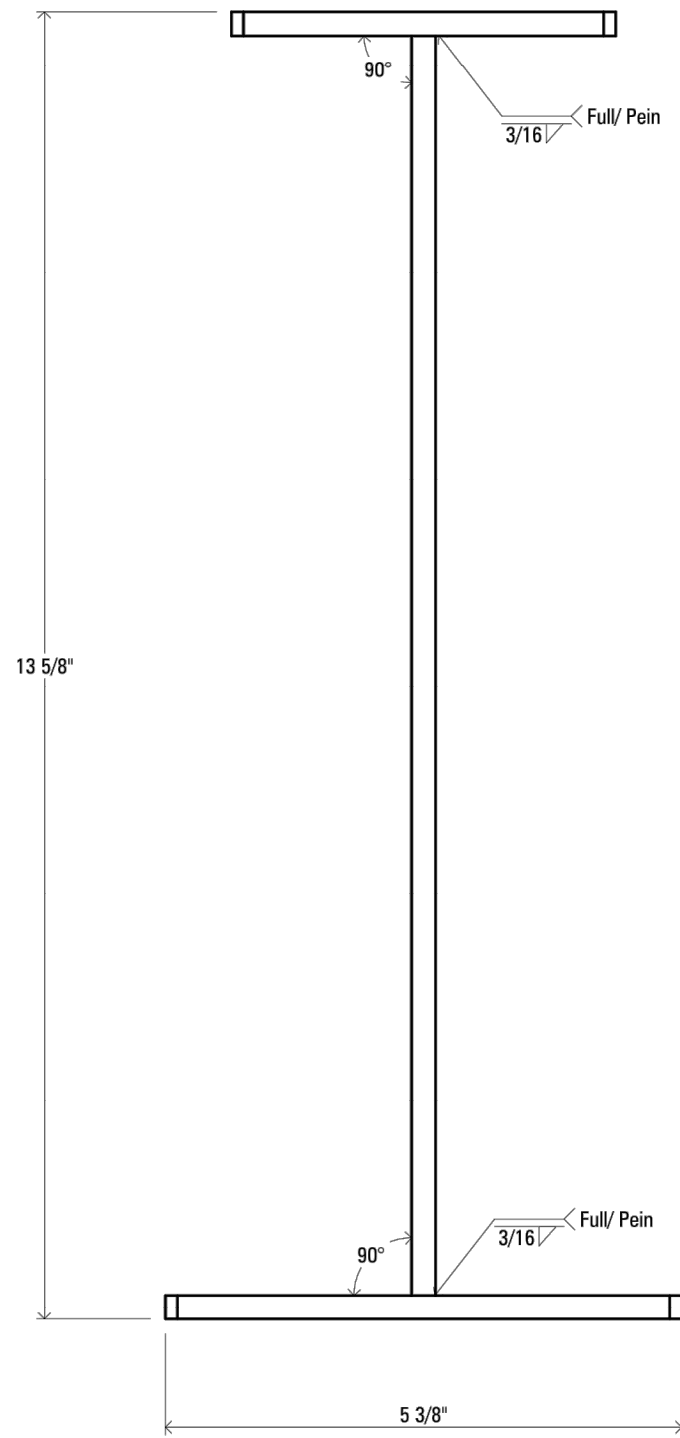
Option 2 : PCA Badge

Item	Description		Qty/ Qté
LE1	PCA Badge	Badge PCA	1
P5	Top plank	Planche	1
Q W	Washer, Stainless Steel , 1/4" Screw Size	Rondelle Plate, Acier Inox, 1/4"	2
Q SBH	Button Head Hex Drive Screw, Stainless Steel, 1/4"-20, 1' Long	Vis Calibrée Tête Bombée à 6 pans creux, Acier Inox, 1/4"-20, Long: 1"	2

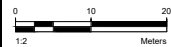
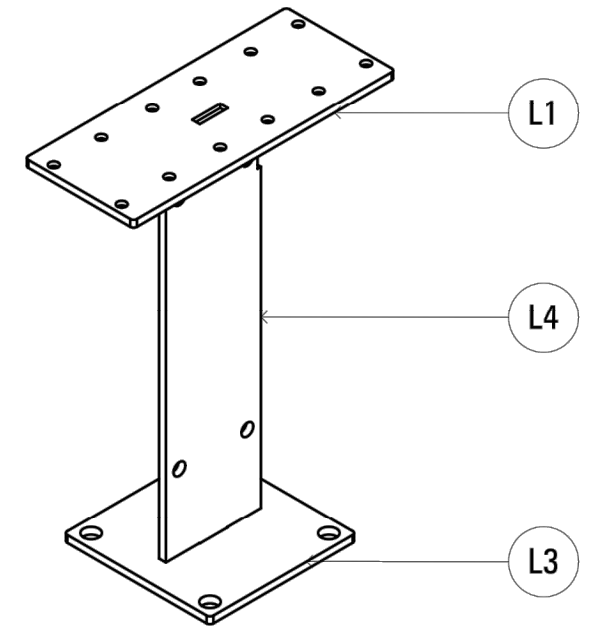


	PROJECT NAME	PEYTO LAKE DAY USE AREA REHABILITATION	PROJECT NUMBER	CT184101
	CLIENT	Parks Canada	SHEET TITLE	BRANDING
			FIGURE NUMBER	SK-05
			ISSUE/REVISION	A

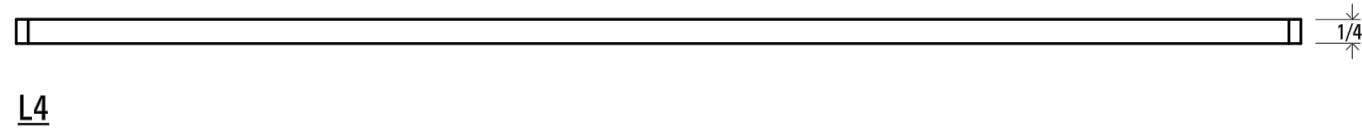
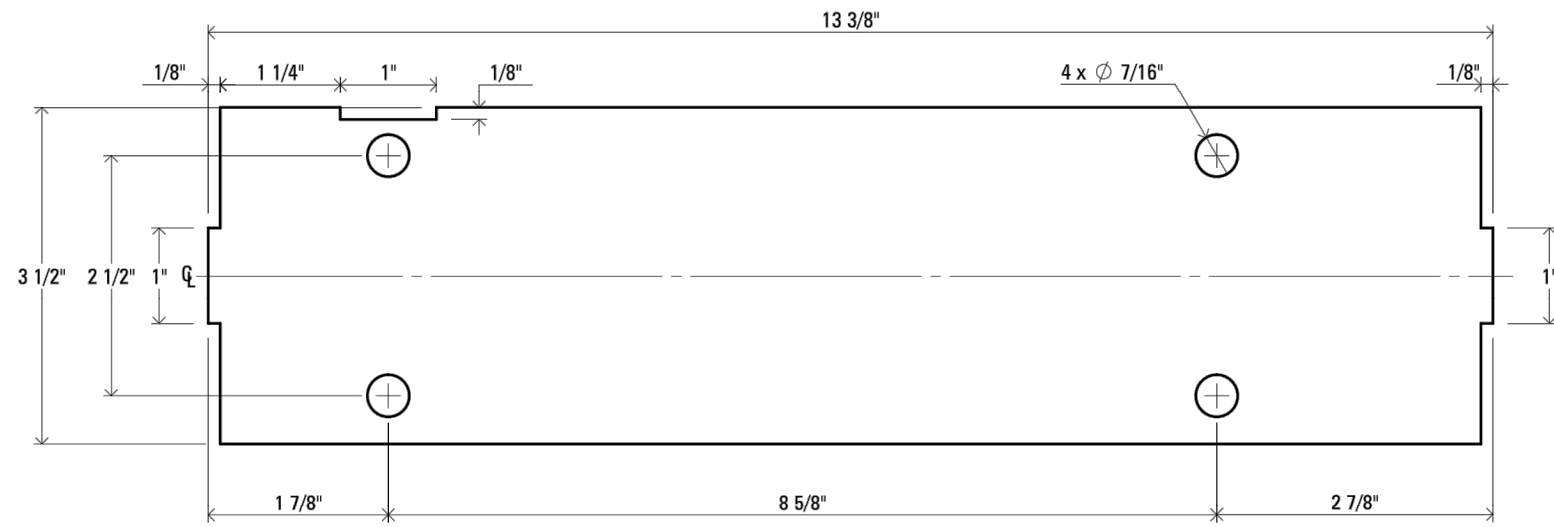
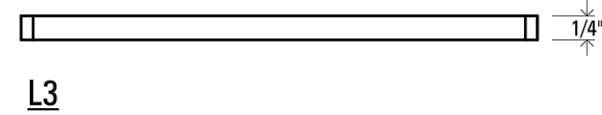
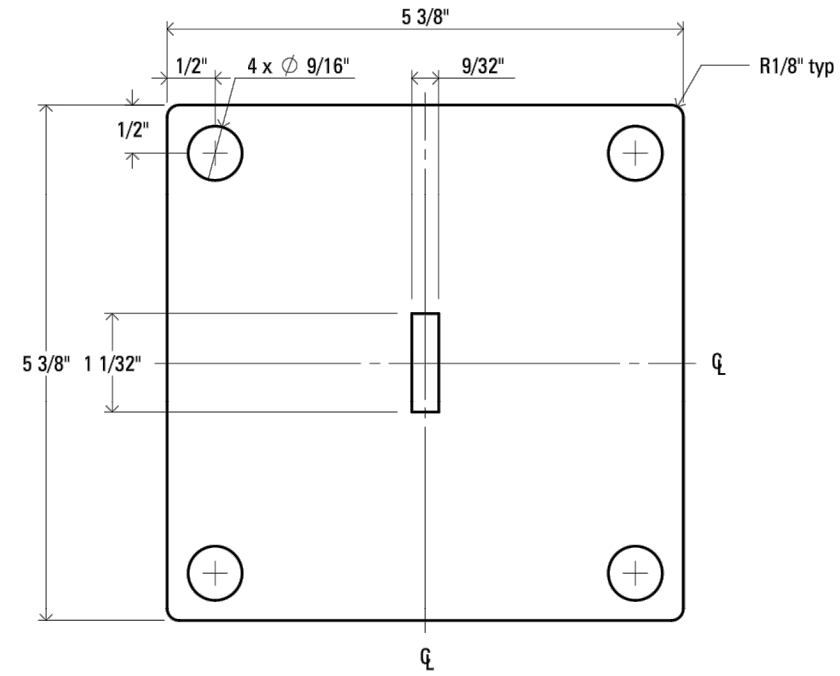
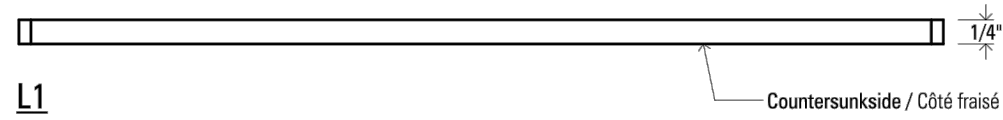
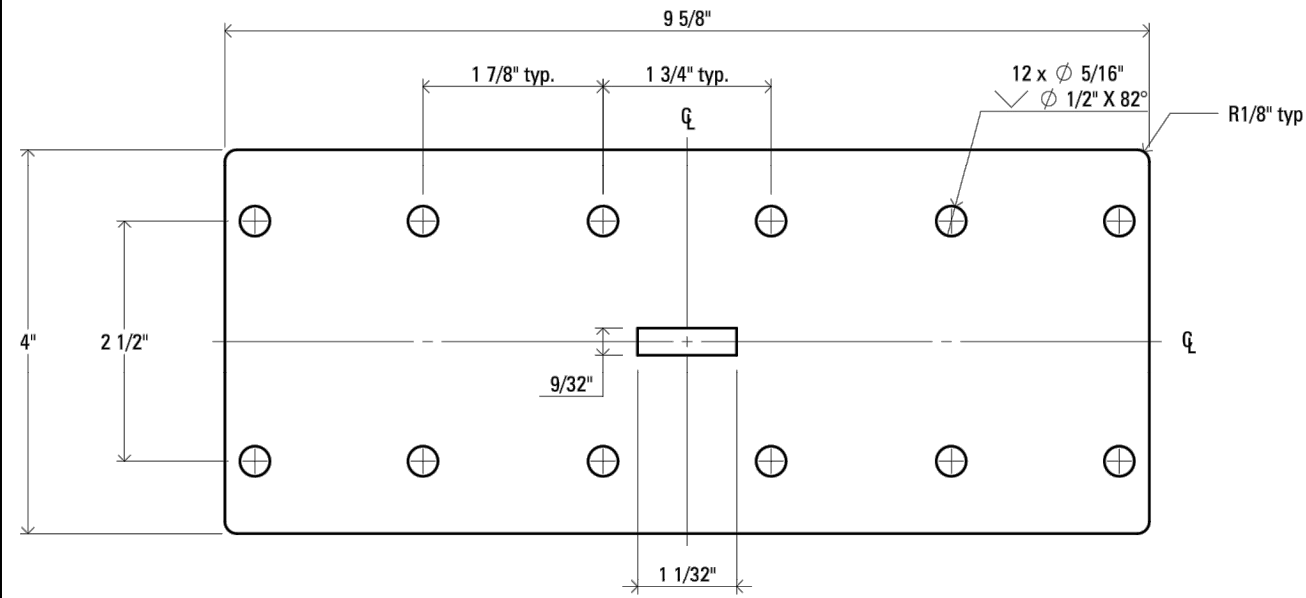
File Name: I:\pmpwin3\Parks Canada\Civil Eng Services AB&BC 2015\2018 PROJECTS\CT184101 - Peyto Lake\99 CAD\1 Deliverables\Figures\AMDT - Benches.dwg Saved By: Cng, Benjamin Plot Date: 200708 5:59 PM
 ANSIB 432mm x 279mm



Item	Description	Qty/ Qté	Page
L1	Thickness / Épaisseur 1/4"	1	
L3	Thickness / Épaisseur 1/4"	1	
L4	Thickness / Épaisseur 1/4"	1	

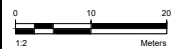


	PROJECT NAME	PEYTO LAKE DAY USE AREA REHABILITATION	PROJECT NUMBER	CT184101
	SHEET TITLE	STRUCTURE A2	FIGURE NUMBER	SK-06
CLIENT	Parks Canada / Parcs Canada		ISSUE/REVISION	A



Specifications / Spécifications

Material/ Matériau	Thickness / Épaisseur 1/4"
Treatment/ Traitement	See Generals notes / Voir notes générales
Coating/ Revêtement	See Generals notes / Voir notes générales
Finish/ Finition	See Generals notes / Voir notes générales

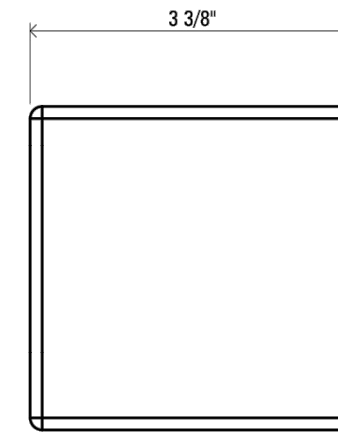
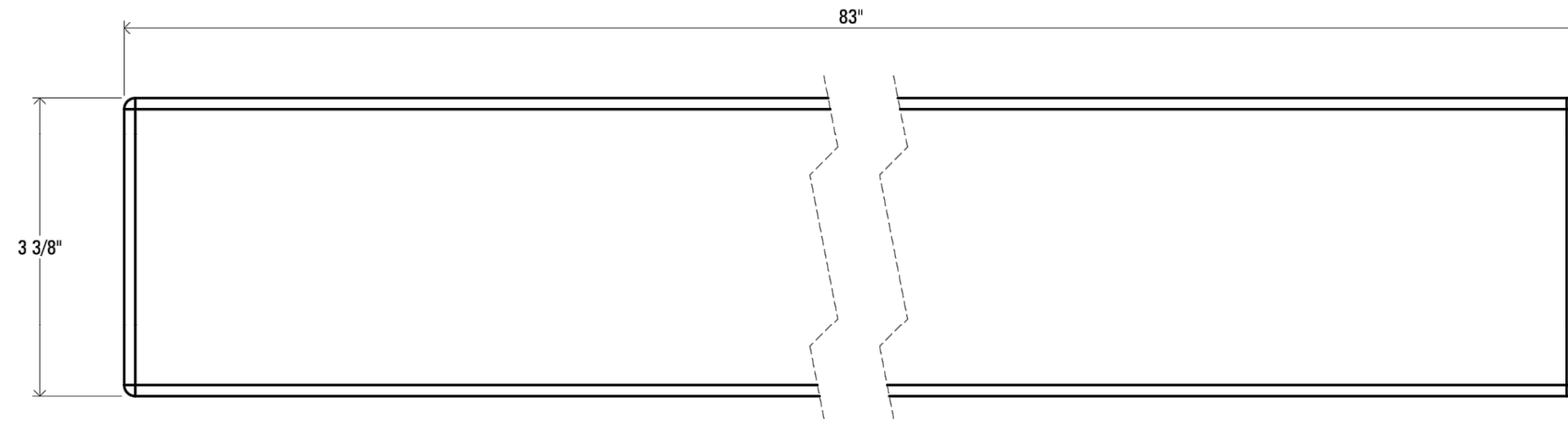


	PROJECT NAME	PEYTO LAKE DAY USE AREA REHABILITATION	PROJECT NUMBER	CT184101
	CLIENT	Parks Canada Parcs Canada	SHEET TITLE	DETAIL L1-L3-L4
			FIGURE NUMBER	SK-07
			ISSUE/REVISION	A

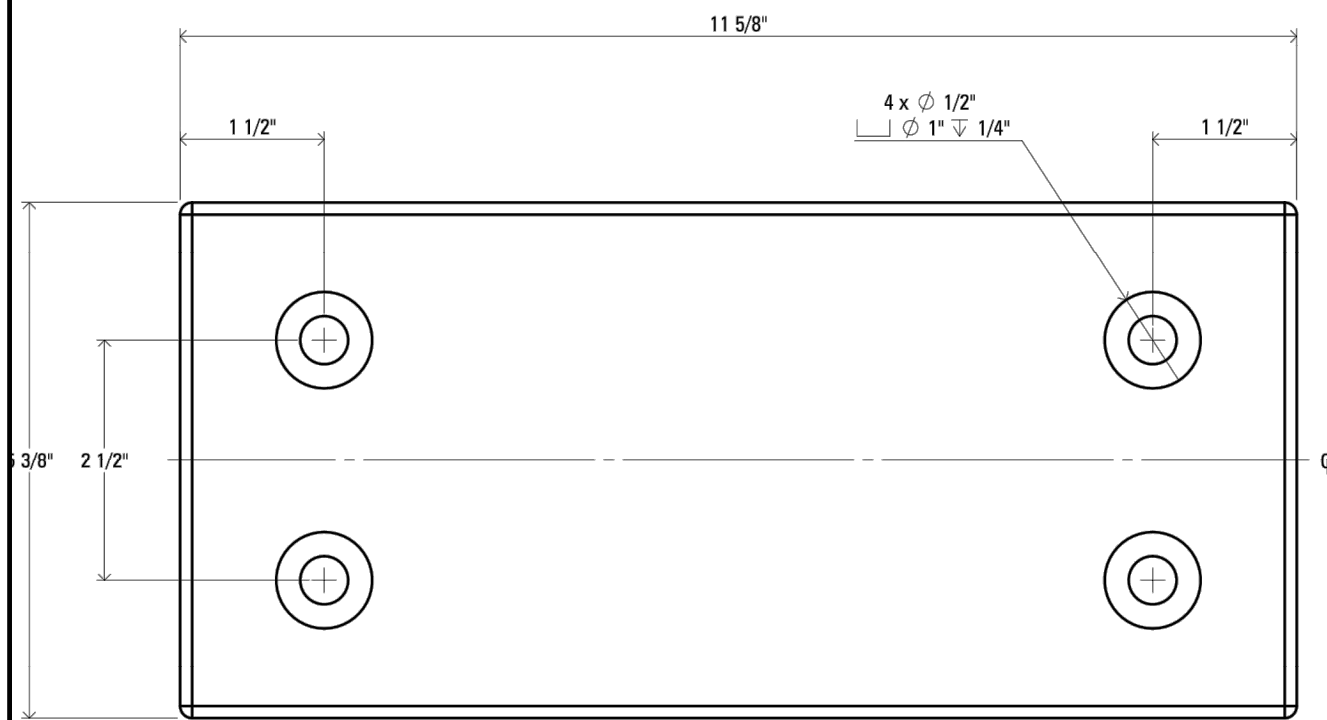
File Name: I:\pmpwin3\Parks Canada\CAD\Eng Services\AB&BC 2015\2018 PROJECTS\CT184101 - Peyto Lake\99 CAD\1 Deliverables\Figures\AMDT - Benches.dwg Saved By: Cng, Benjamin Plot Date: 200708 5:59 PM
 ANSIB 432mm x 279mm

Specifications / Spécifications

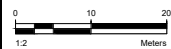
Material/ Matériau	3-3/8" X 3-3/8" / 5-3/8" X 1-1/2"
Treatment/ Traitement	-
Coating/ Revêtement	-
Finish/ Finition	Easy edge/ Angle vif cassé 1/8"



P1



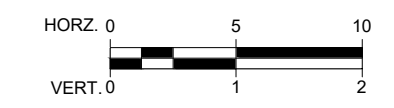
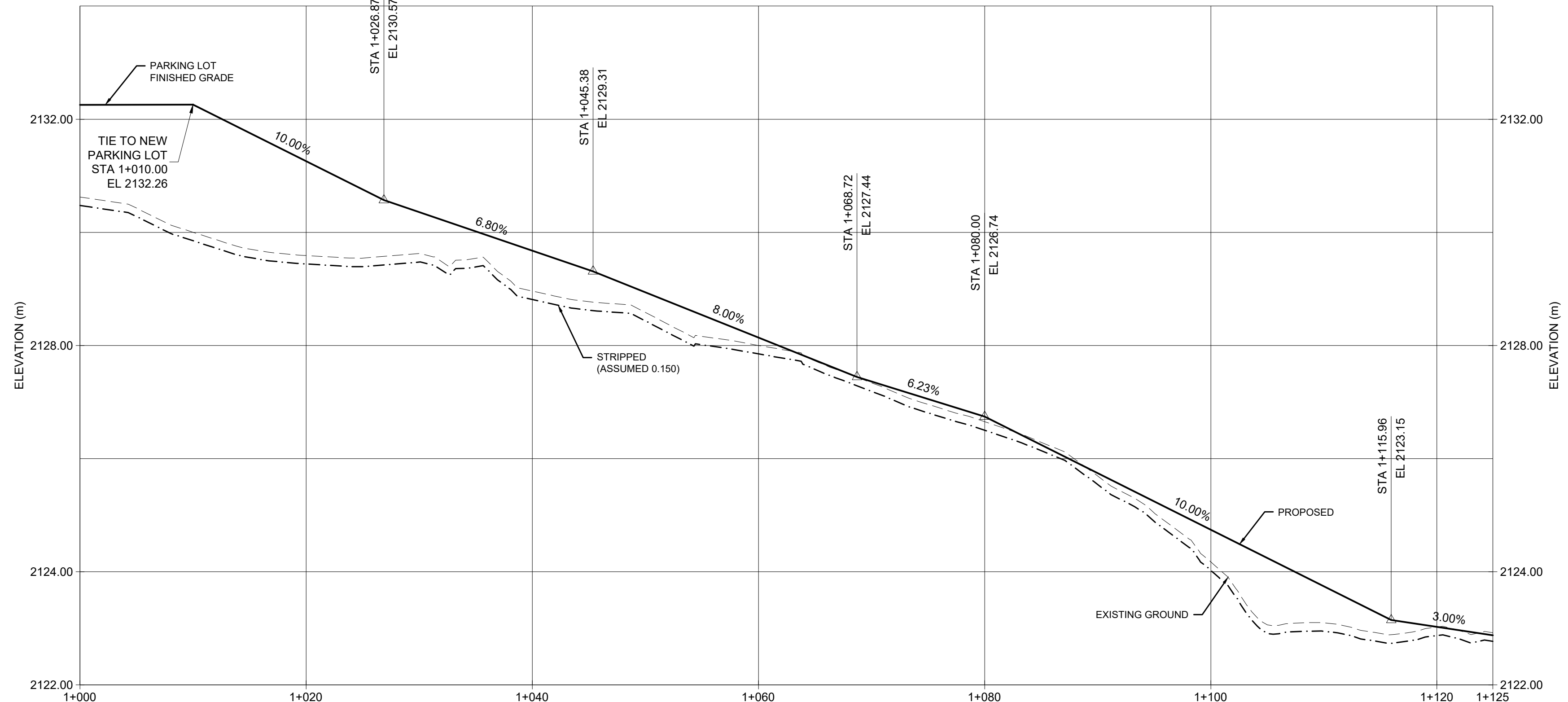
P2



	PROJECT NAME	PEYTO LAKE DAY USE AREA REHABILITATION	PROJECT NUMBER	CT184101
	CLIENT	Parks Canada Parcs Canada	SHEET TITLE	DETAIL P1-P2
			FIGURE NUMBER	SK-08
			ISSUE/REVISION	A

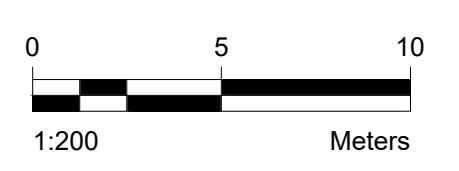
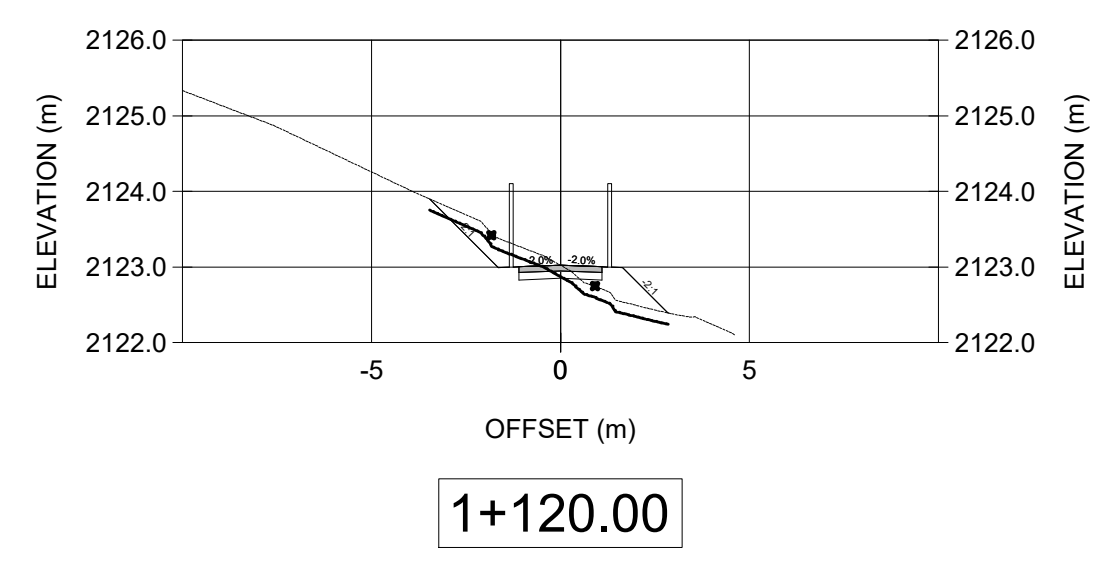
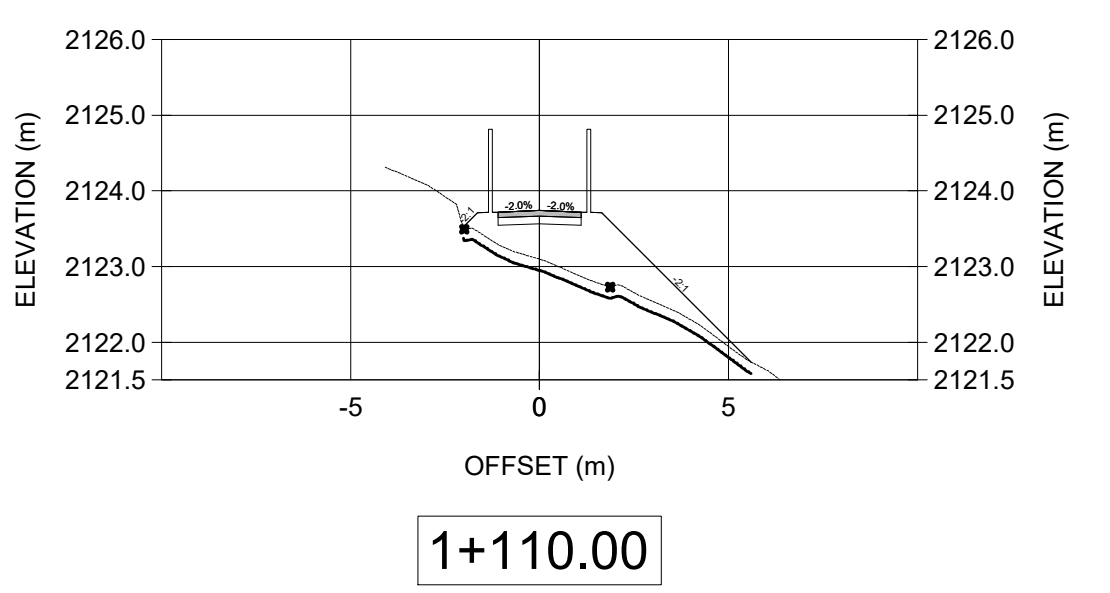
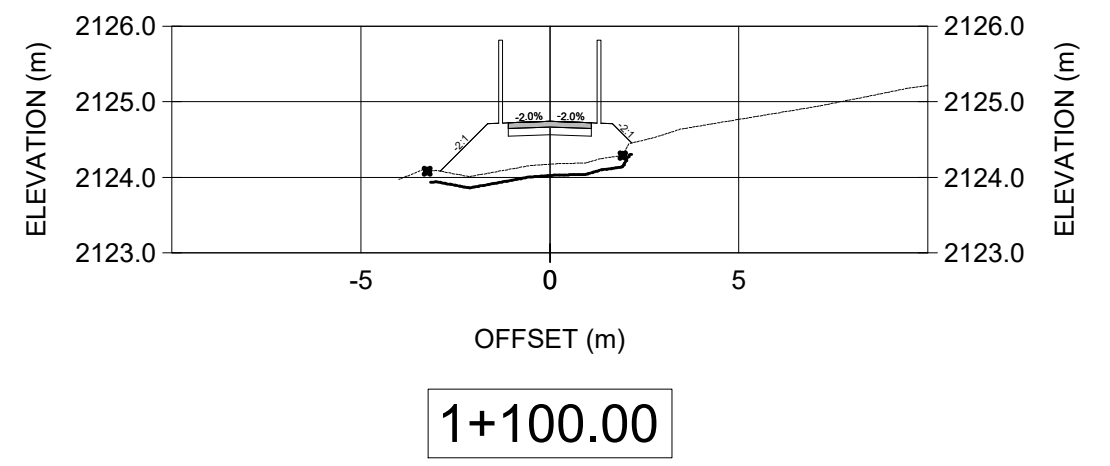
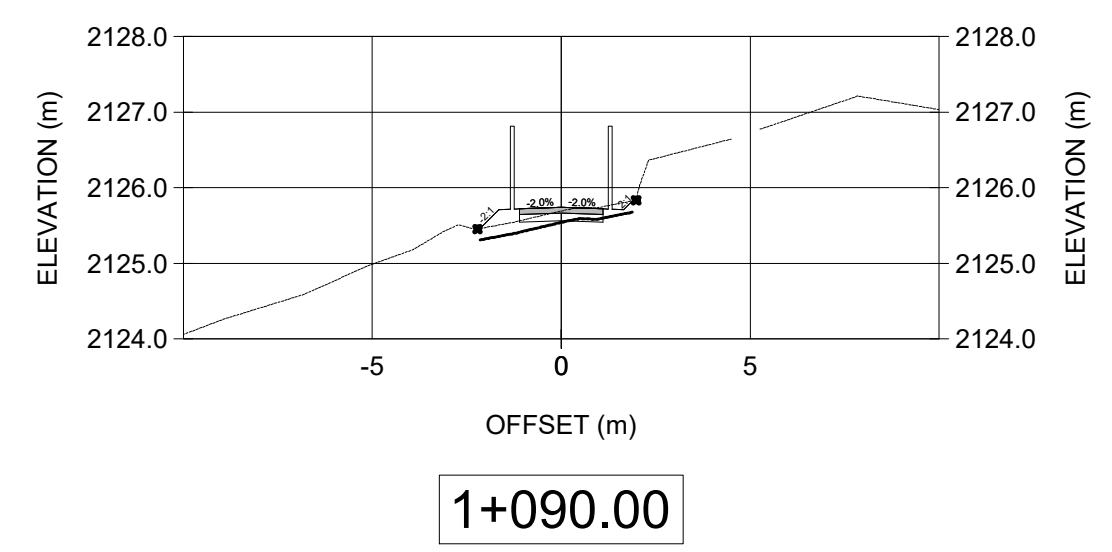
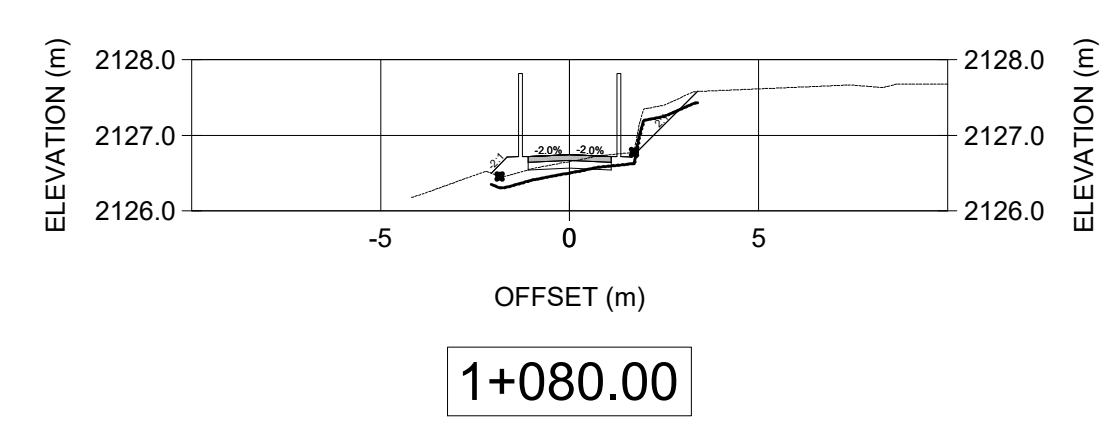
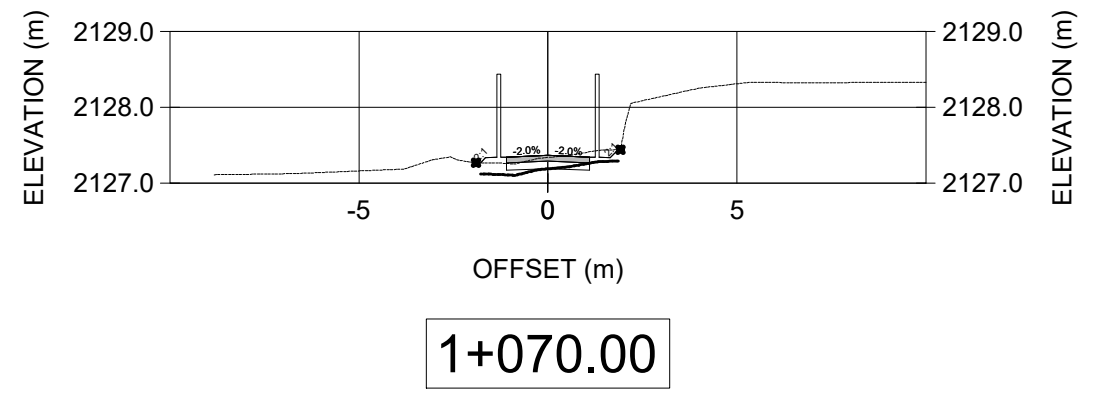
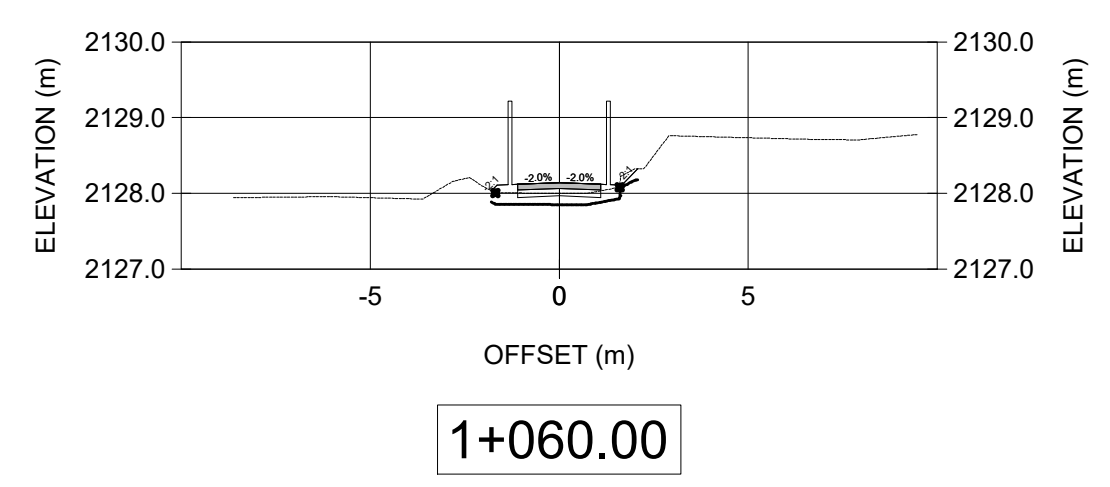
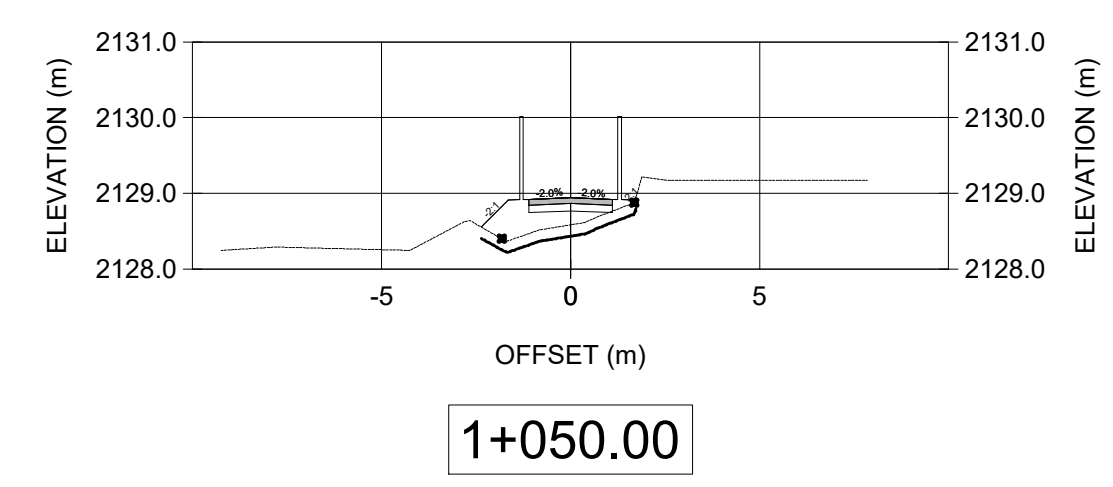
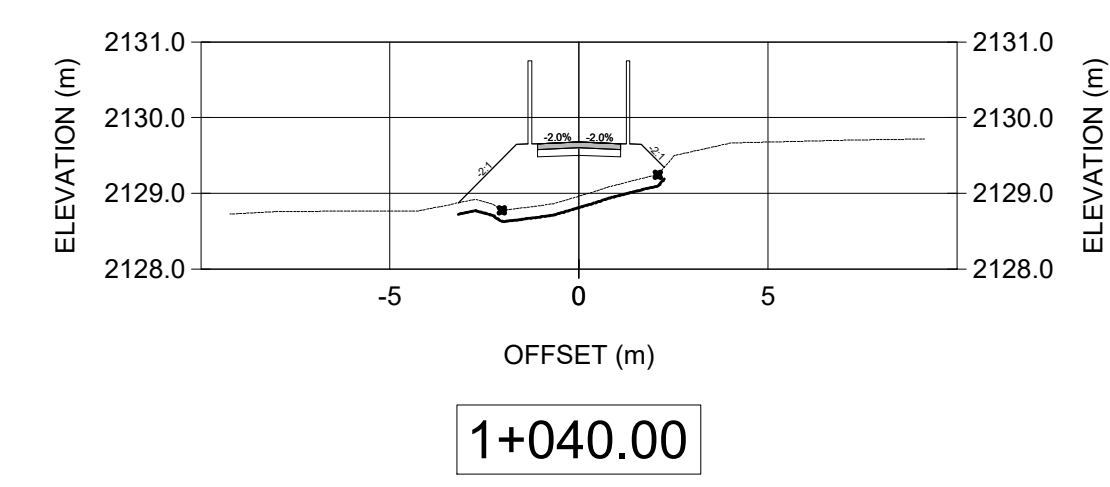
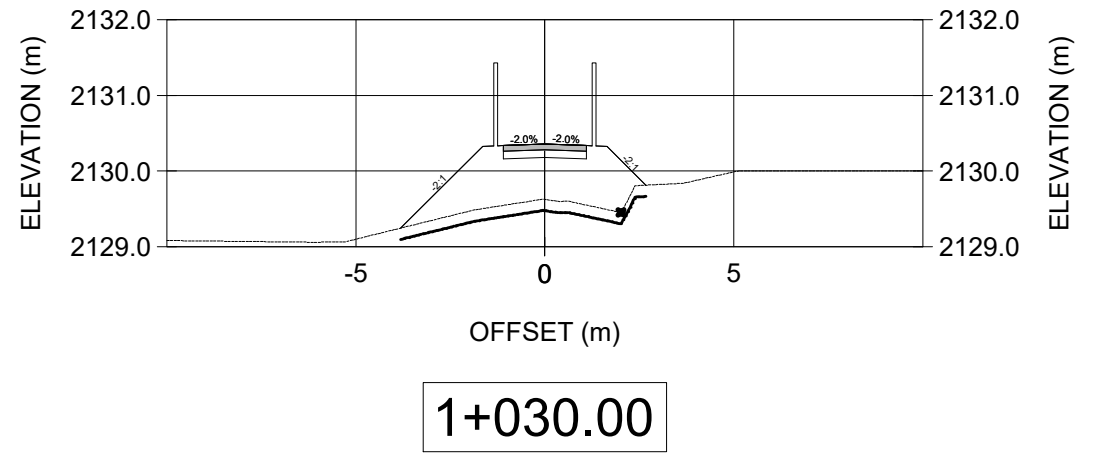
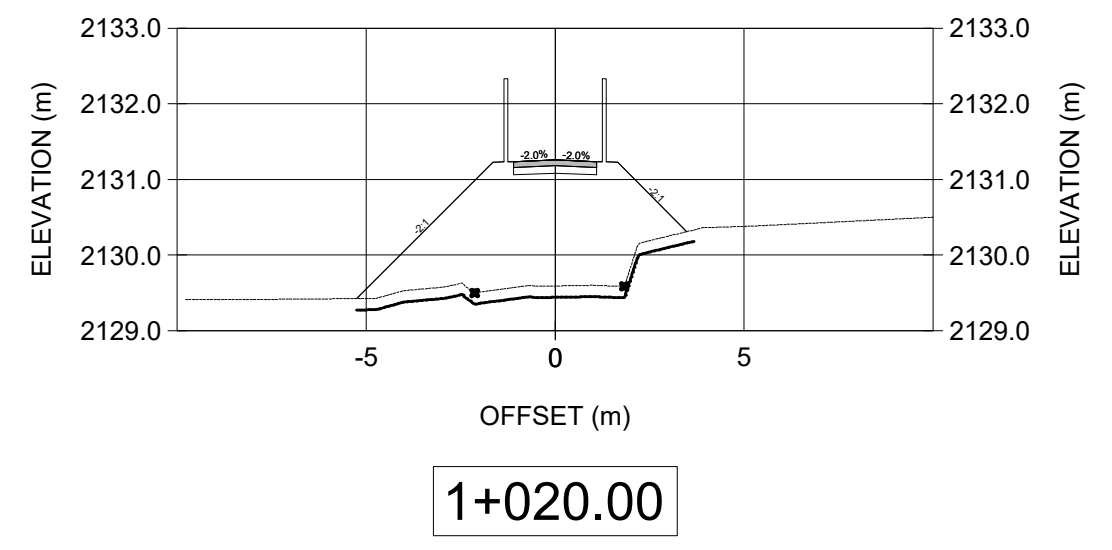
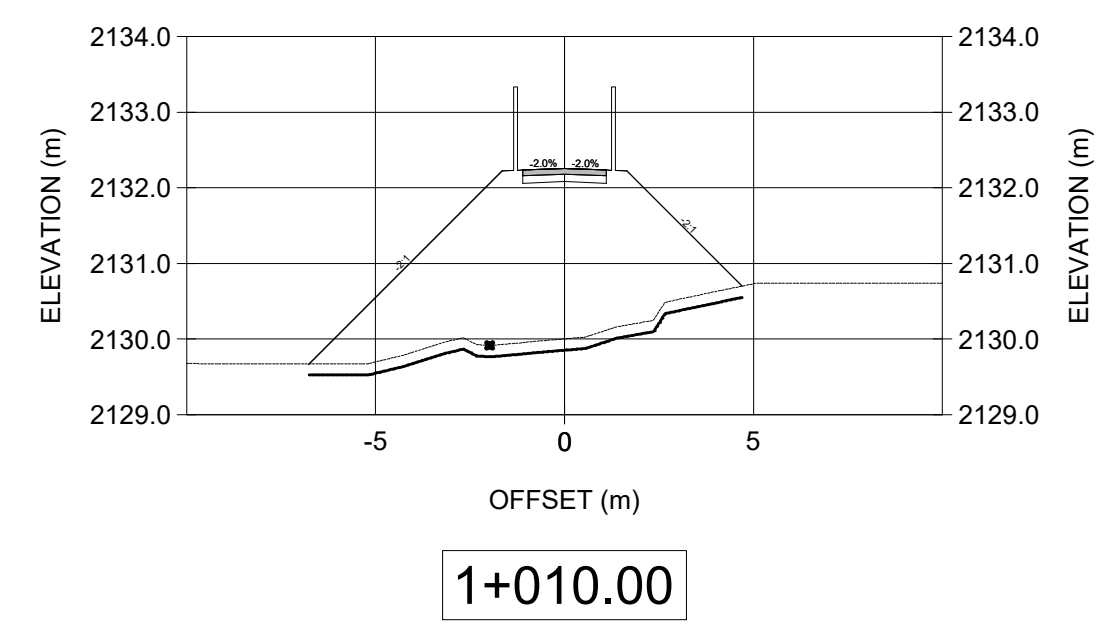


NOTE:
 1. COORDINATE SYSTEM IS NAD83 UTM ZONE 11 NORTH. CONTRACTOR TO ESTABLISH SURVEY CONTROL.



	PROJECT NAME	PEYTO LAKE DAY USE AREA REHABILITATION	PROJECT NUMBER	CT184101
	CLIENT	Parks Canada	SHEET TITLE	PATHWAY IMPROVEMENT - AREA 2 ACCESSIBLE TRAIL PLAN-PROFILE
			ISSUE/REVISION	B

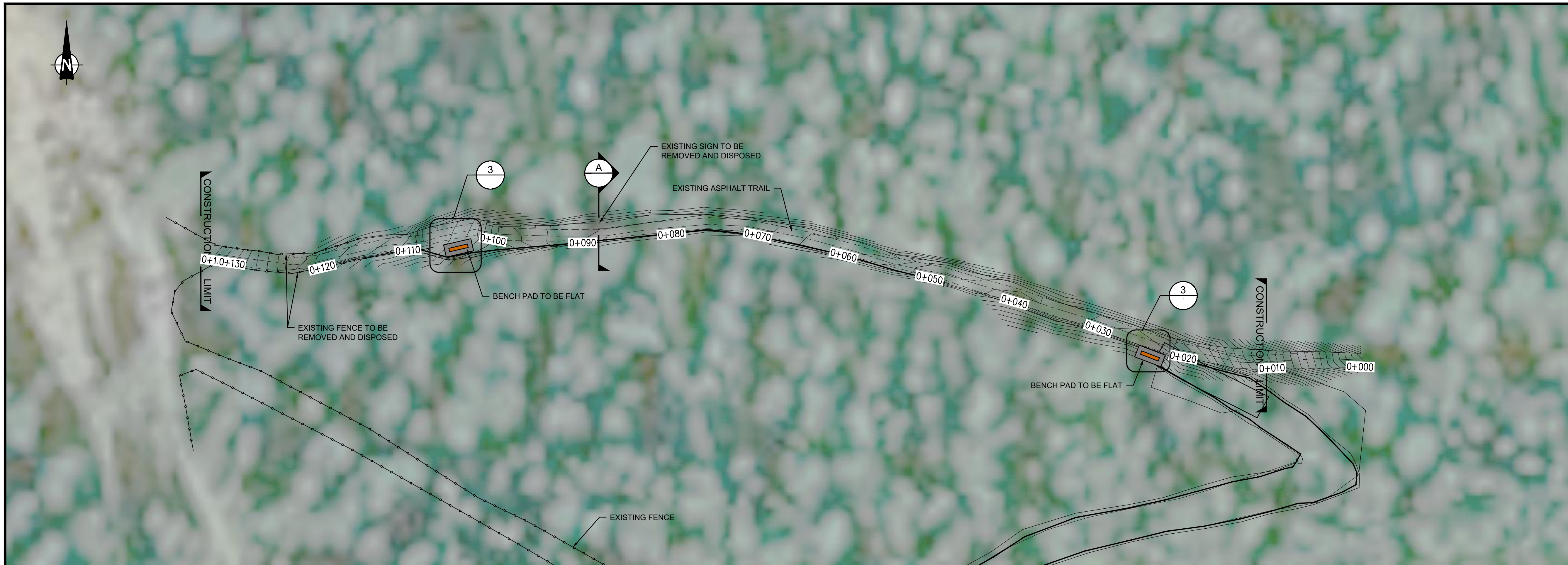
File Name: I:\pwworking\parks\canada\civil\eng\services\ababc\2015\2018\PROJECTS\CT184101 - Peyto Lake\99 CAD\2 Support\4 Working Drawings\Support - Trails design\1.dwg Saved By: Schulz, Ryan Plot Date: 200715 10:23 AM
 ANS I D 864mm x 559mm



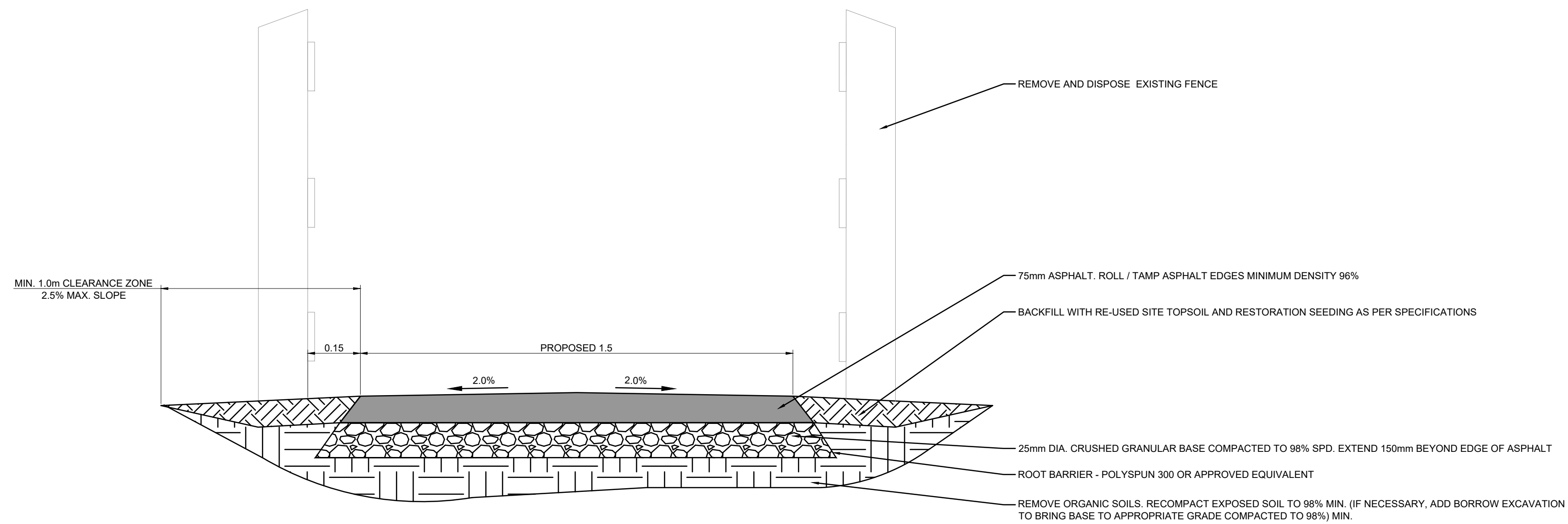
wood.

CLIENT Parks Canada

PROJECT NAME	PEYTO LAKE DAY USE AREA REHABILITATION	PROJECT NUMBER	CT184101
SHEET TITLE	PATHWAY IMPROVEMENT - AREA 2 ACCESSIBLE TRAIL CROSS-SECTION	FIGURE NUMBER	SK-11
		ISSUE/REVISION	B



- NOTE:**
1. COORDINATE SYSTEM IS NAD83 UTM ZONE 11 NORTH. CONTRACTOR TO ESTABLISH SURVEY CONTROL.
 2. ALL UNITS ARE IN METERS. UNLESS OTHERWISE SPECIFIED.
 3. 2% CROSSFALL SLOPE WILL ONLY APPLY TO THE CONSTRUCTION OF THE TRAILS.
 4. FENCE TO BE REMOVED AND DISPOSED.

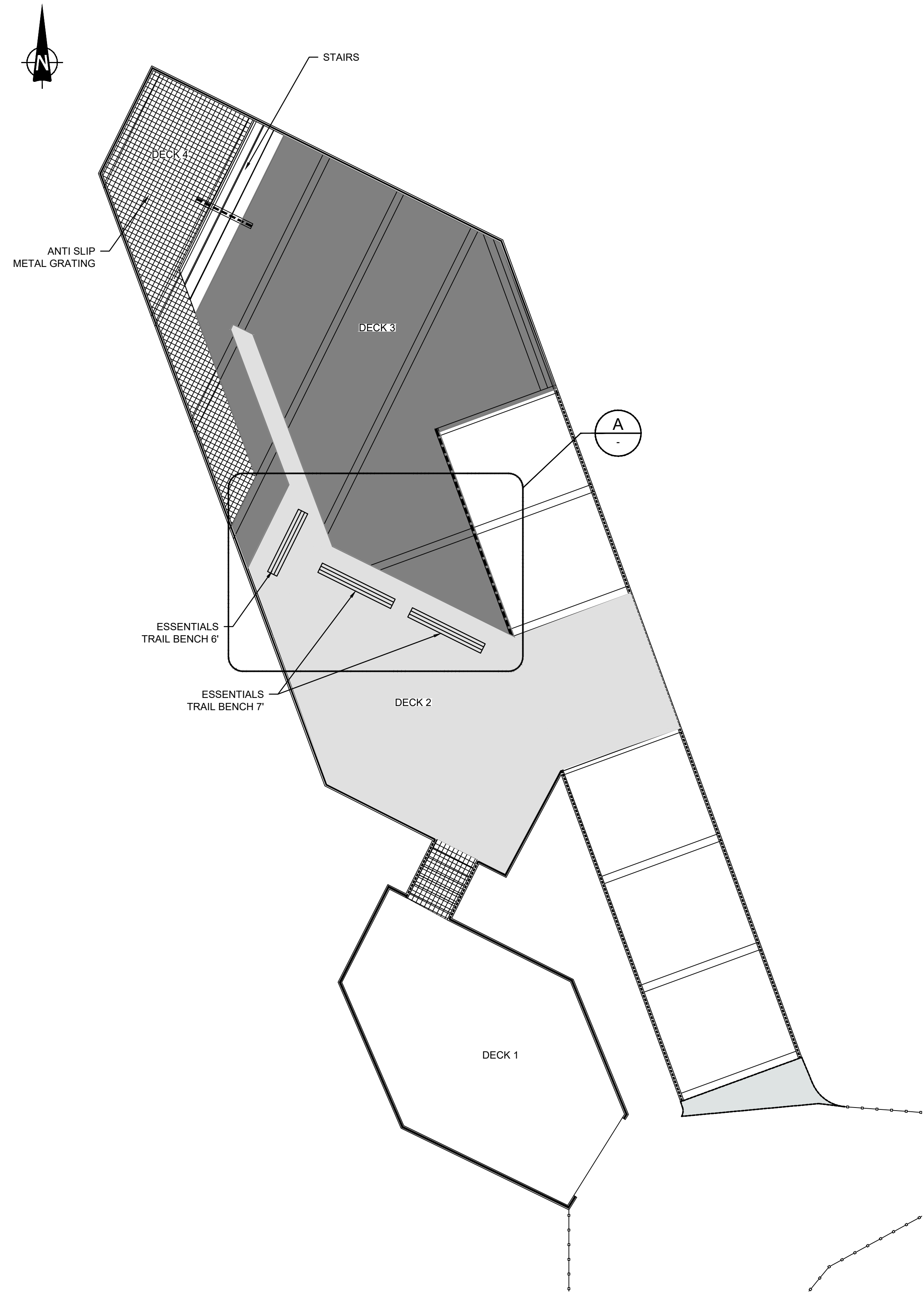


A ASPHALT TRAIL & REST AREA

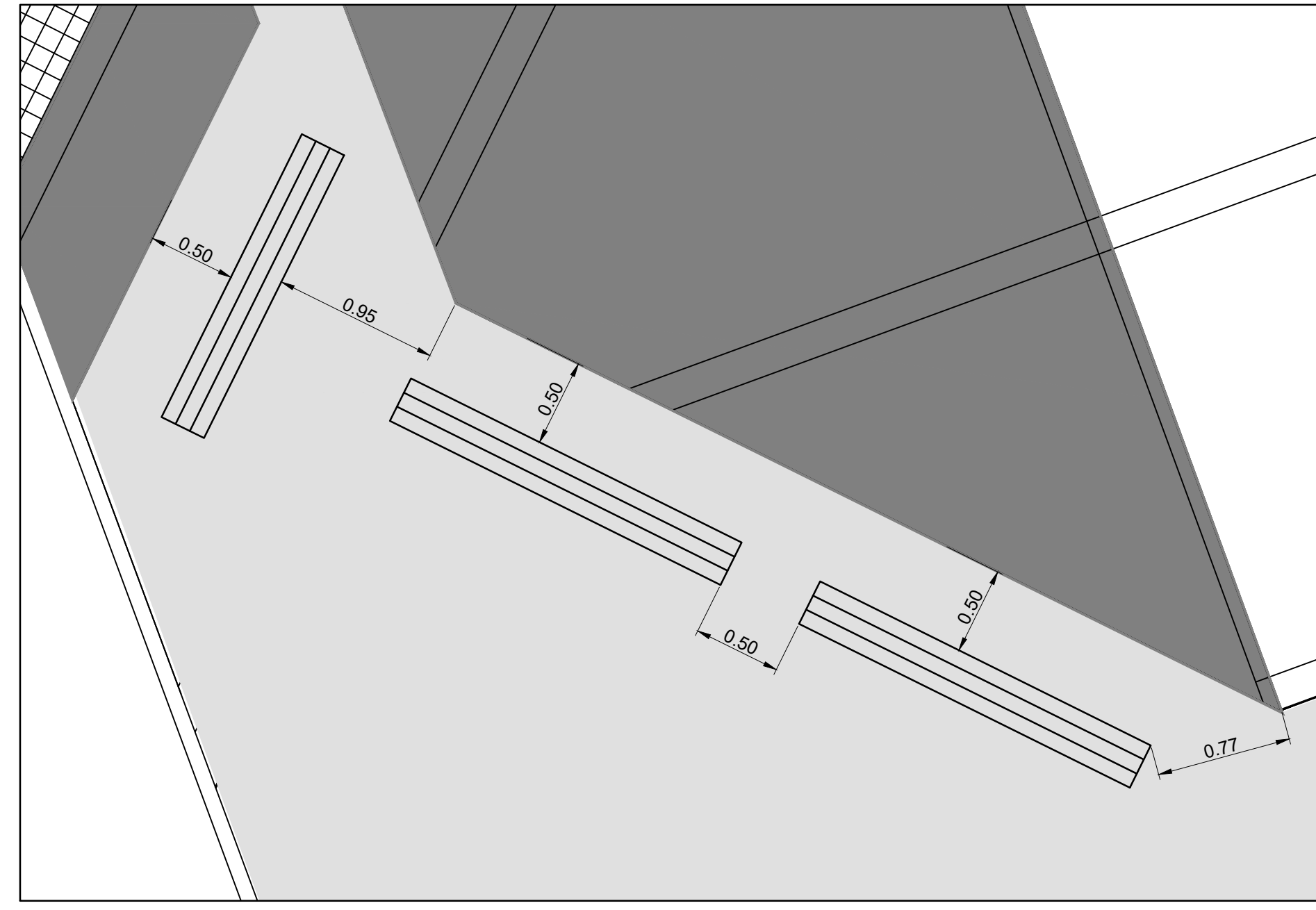
Scale N.T.S

	PROJECT NAME	PEYTO LAKE DAY USE AREA REHABILITATION	PROJECT NUMBER	CT184101
	CLIENT	Parks Canada	SHEET TITLE	PATHWAY IMPROVEMENT - AREA 2 TRAIL REHABILITATION PLAN VIEW
			FIGURE NUMBER	SK-20
			ISSUE/REVISION	B

ANSI D 864mm x 559mm
 File Name: I:\pww\parks\Canada Civil Eng Services\AB&BC 2015\2018 PROJECTS\CT184101 - Peyto Lake\9 CAD\2 Support\Working Drawings\Support-Viewpoint Bench.dwg - Saved By: Ong, Benjamin - Plot Date: 20/07/2018 5:50 PM



VIEWPOINT PLAN VIEW
 SCALE: 1:75



A BENCH DIMENSION
 SCALE: 1:30

- NOTE:**
1. ALL UNITS ARE IN METERS. UNLESS OTHERWISE SPECIFIED.
 2. BENCH MATERIAL WILL CONSIST OF THE SAME OR APPROVED SIMILAR MATERIAL AS VIEWPOINT DECKING OR DIRECTED BY THE DEPARTMENT REPRESENTATIVE.
 3. ALL CEDAR TO BE #2 WRCLA CUSTOM OR BETTER.

	PROJECT NAME	PEYTO LAKE DAY USE AREA REHABILITATION	PROJECT NUMBER	CT184101
	CLIENT	Parks Canada	SHEET TITLE	VIEWPOINT BENCH LAYOUT
			FIGURE NUMBER	SK-30
			ISSUE/REVISION	A

This document may have been reduced. Do not scale this document. All measurements must be obtained from stated dimensions.