



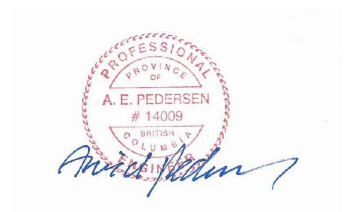
Fisheries and Oceans / Pêches et Océans

SMALL CRAFT  
HARBOURS BRANCH

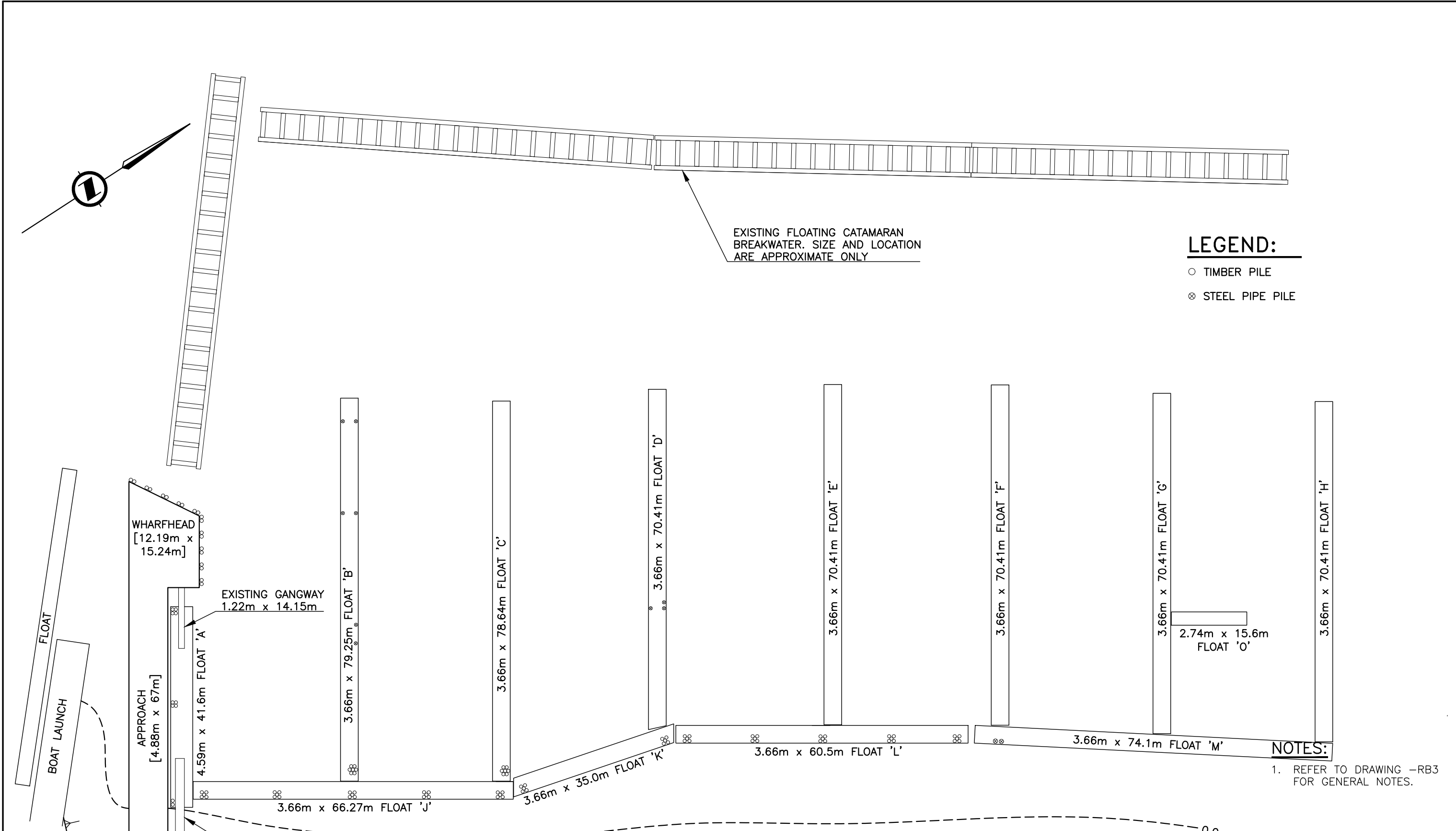
**RUSHBROOK AND FAIRVIEW HARBOURS**  
*HEAVY MARINE REPAIR WORK*

**ISSUED FOR TENDER**

DRAWING LIST						
DRAWING NO.	DRAWING TITLE	REVISION				
		A	B	C	D	E
220105-RB1	RUSHBROOK HARBOUR - SITE PLAN	A	B			
220105-RB2	RUSHBROOK HARBOUR - WHARF PLAN	A	B			
220105-RB3	RUSHBROOK HARBOUR - GENERAL NOTES AND REPAIR DETAILS	A	B			
220105-FV1	FAIRVIEW HARBOUR - GENERAL ARRANGEMENT	A	B			
220105-FV2	FAIRVIEW HARBOUR - APPROACH AND WHARF PLANS	A	B			
220105-FV3	FAIRVIEW HARBOUR - SOUTH HARBOUR MOORING FLOATS	A	B			
220105-FV4	FAIRVIEW HARBOUR - NORTH HARBOUR MOORING FLOATS	A	B			



**VJA ENGINEERING**  
VILLHOLTH JENSEN  
& ASSOC. LTD.  
CONSULTING ENGINEERS  
VANCOUVER, B.C.



EXISTING FLOATING CATAMARAN  
BREAKWATER. SIZE AND LOCATION  
ARE APPROXIMATE ONLY

**LEGEND:**  
○ TIMBER PILE  
⊗ STEEL PIPE PILE

**NOTES:**  
1. REFER TO DRAWING -RB3  
FOR GENERAL NOTES.

E			
D			
C			
B	ISSUED FOR REVIEW	06.30.20	A.P.
A	ISSUED FOR REVIEW	05.03.20	A.P.
REVISION			

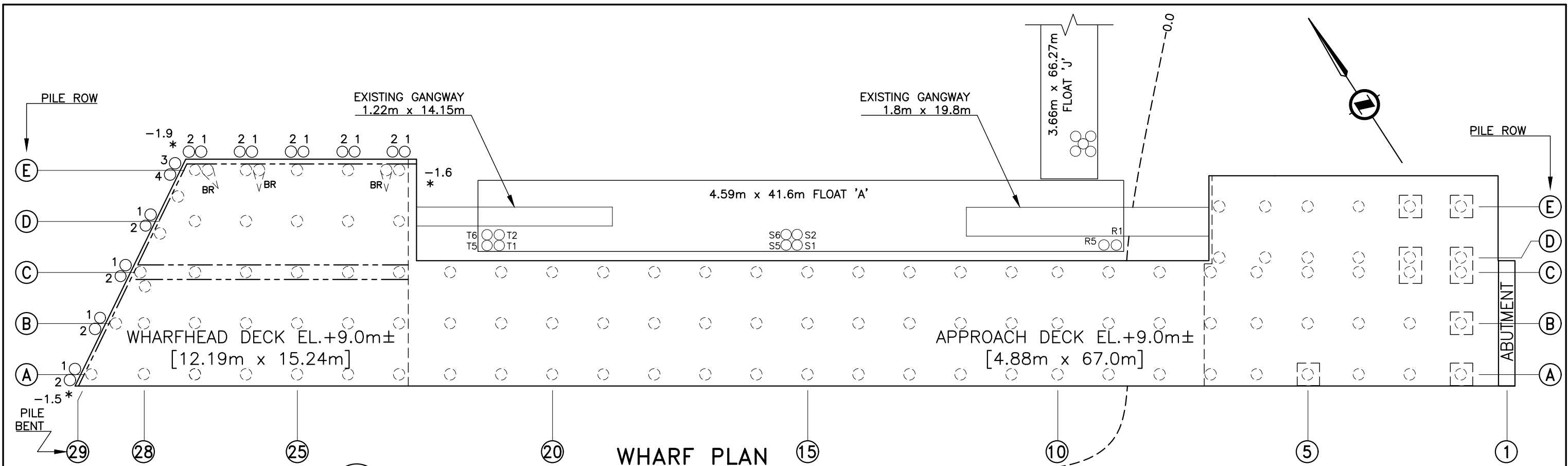
*A. E. Pedersen*

THIS DRAWING IS THE PROPERTY OF VILLHOLTH JENSEN & ASSOCIATES LTD. AND SHALL ONLY BE USED FOR THE PURPOSE TO WHICH IT REFERS. THIS DRAWING IS PREPARED SOLELY FOR THE USE BY THE PARTY WITH WHOM VILLHOLTH JENSEN & ASSOCIATES LTD. HAS ENTERED INTO A CONTRACT AND THERE ARE NO REPRESENTATIONS OF ANY KIND MADE BY VILLHOLTH JENSEN & ASSOCIATES LTD. TO ANY PARTY WITH WHOM VILLHOLTH JENSEN & ASSOCIATES LTD. HAS NOT ENTERED INTO A CONTRACT.

DESIGNED:	A.P.	SCALE:	1 : 750
DRAWN:	P.D.M.	FILE No.	220105-RB1
CHECKED:	A.P.	CAD FILE NAME:	220105-RB1
APPROVED:		PROJECT No.	220105

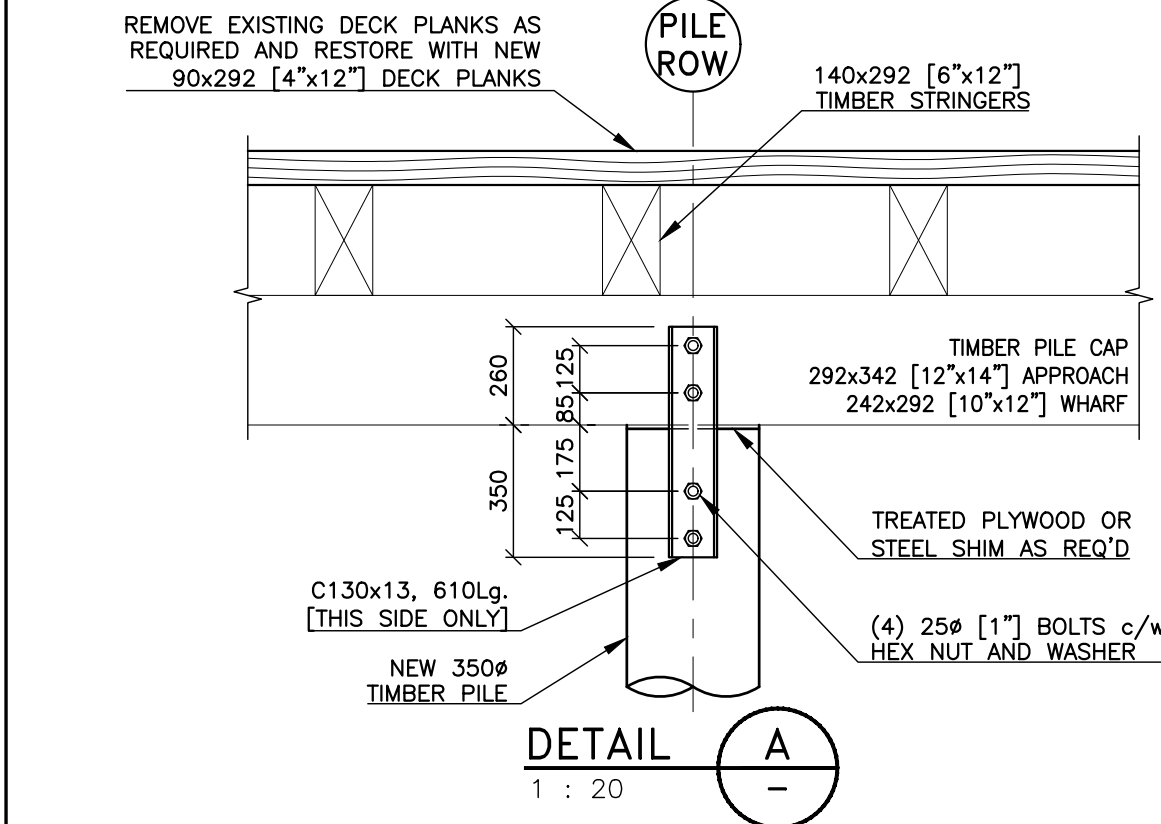
**VILLHOLTH JENSEN & ASSOC. LTD.**  
 CONSULTING ENGINEERS  
 VANCOUVER, B.C.

 <b>RUSHBROOK HARBOUR, PRINCE RUPERT</b>	Small Craft Harbours Branch	
	SITE PLAN	DRAWING No. <b>220105-RB1</b>
		REV. <b>B</b>



**WHARF PLAN**

1 : 250



**DETAIL A**

1 : 20

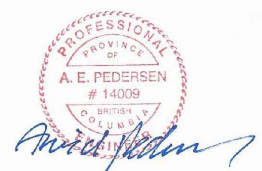
**LEGEND:**

- 2.3 SOUNDED SEABED ELEVATION
- \* SOUNDED SEABED ELEVATION
- VERTICAL TIMBER PILE
- BR TIMBER BATTER PILE
- CONCRETE FIREWALL UNDER DECK
- HORIZONTAL TIMBER WALE

**NOTES:**

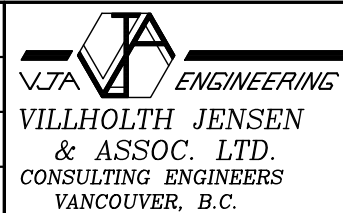
1. REFER TO DRAWING -RB3 FOR GENERAL NOTES.

E			
D			
C			
B	ISSUED FOR TENDER	06.30.20	A.P.
A	ISSUED FOR REVIEW	05.03.20	A.P.
REVISION			



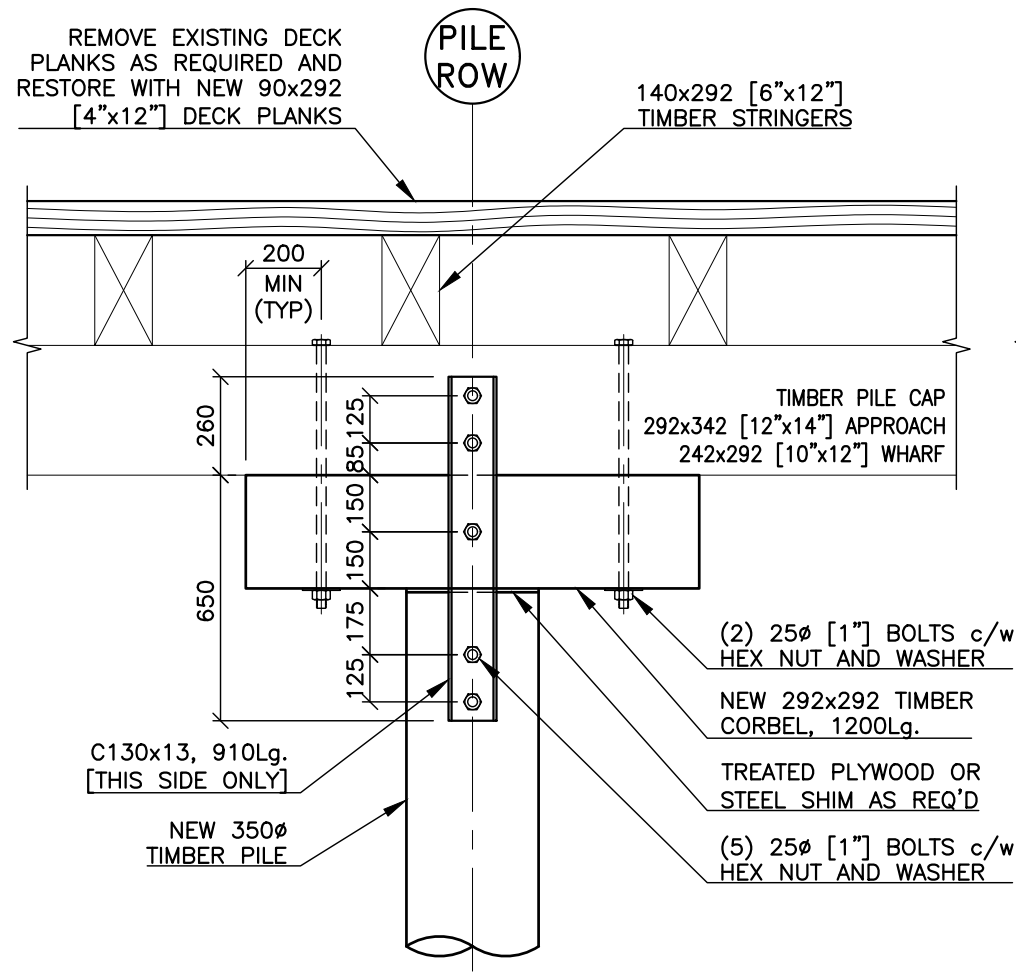
THIS DRAWING IS THE PROPERTY OF VILLHOLTH JENSEN & ASSOCIATES LTD. AND SHALL ONLY BE USED FOR THE PURPOSE TO WHICH IT REFERS. THIS DRAWING IS PREPARED SOLELY FOR THE USE BY THE PARTY WITH WHOM VILLHOLTH JENSEN & ASSOCIATES LTD. HAS ENTERED INTO A CONTRACT AND THERE ARE NO REPRESENTATIONS OF ANY KIND MADE BY VILLHOLTH JENSEN & ASSOCIATES LTD. TO ANY PARTY WITH WHOM VILLHOLTH JENSEN & ASSOCIATES LTD. HAS NOT ENTERED INTO A CONTRACT.

DESIGNED:	A.P.	SCALE:	1 : 250
DRAWN:	P.D.M.	FILE No.	220105-RB2
CHECKED:	A.P.	CAD FILE NAME:	220105-RB2
APPROVED:		PROJECT No.	220105

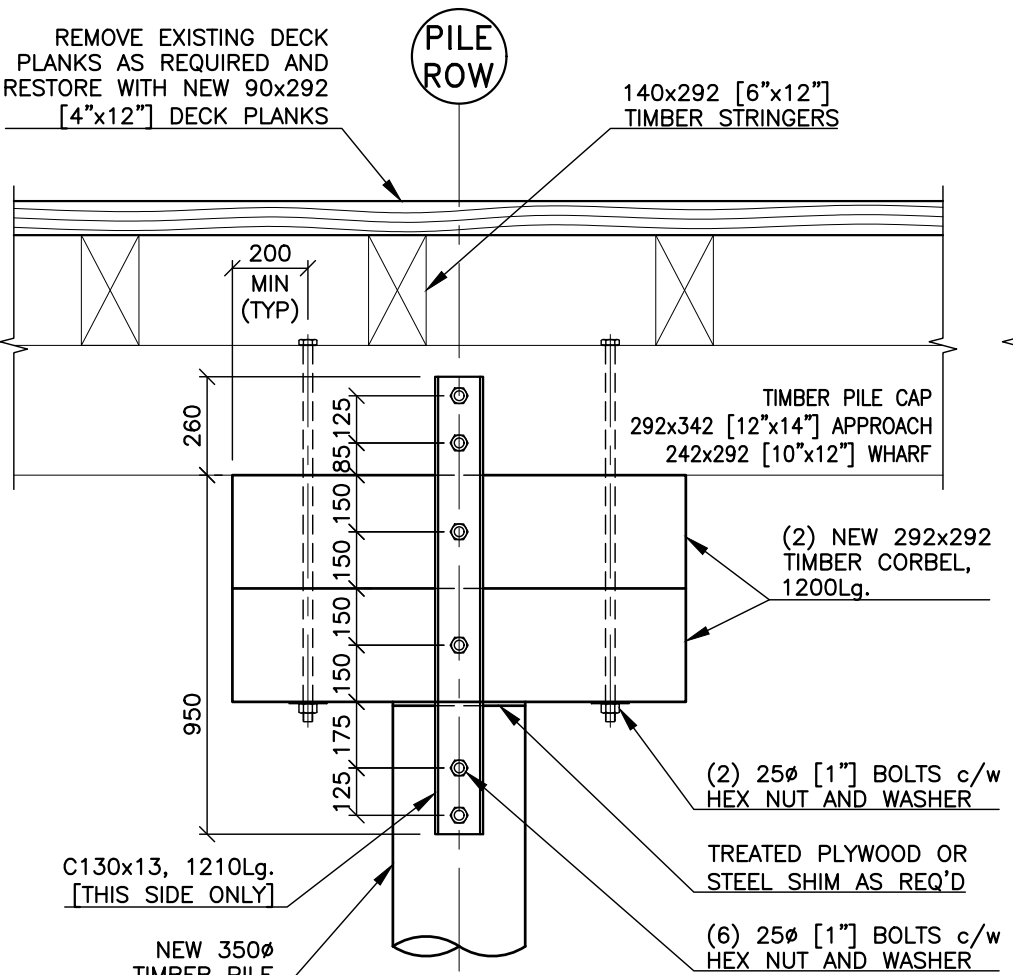


	Small Craft Harbours Branch	
	RUSHBROOK HARBOUR, PRINCE RUPERT	
WHARF PLAN	DRAWING No. 220105-RB2	REV. B

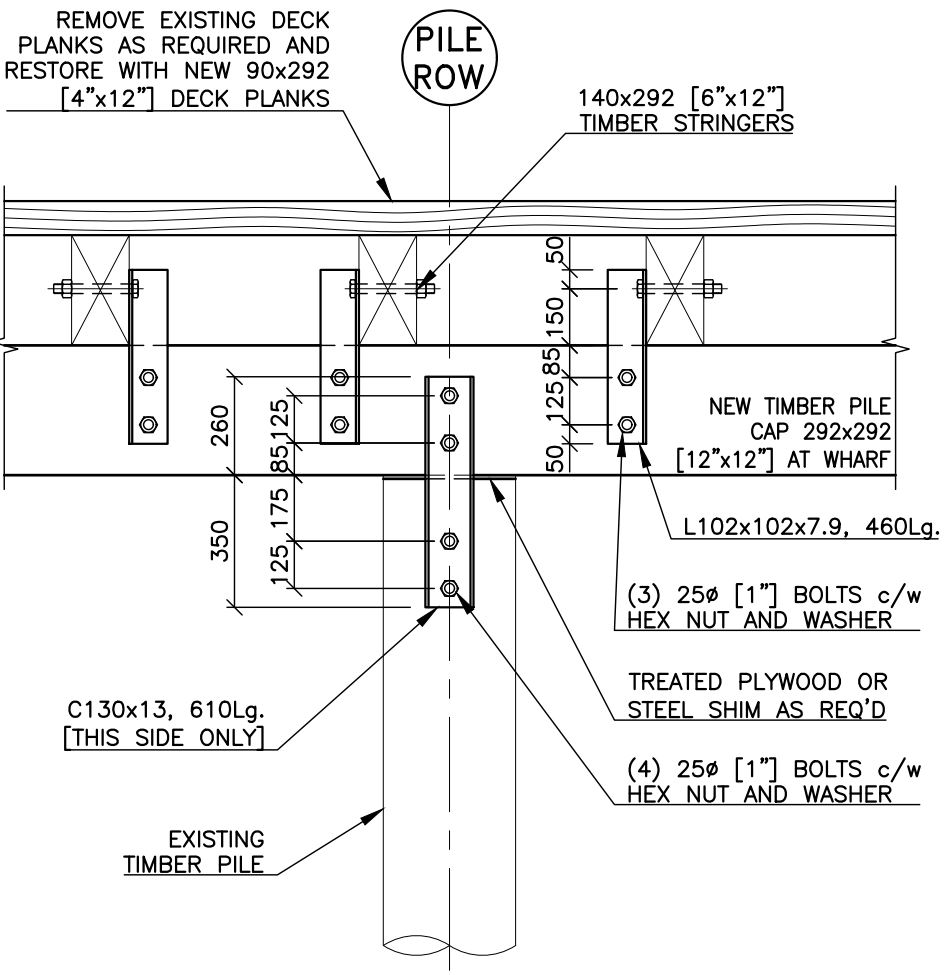
June 29, 2020 4:00pm



DETAIL B  
1 : 20



DETAIL C  
1 : 20



DETAIL D  
1 : 20

**DESIGN CRITERIA**

**ENVIRONMENTAL**

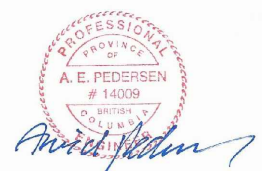
- WATER LEVEL:
  - HIGHER HIGH WATER LEVEL (H.H.W.L.) = +7.5m
  - MEAN WATER LEVEL (M.W.L.) = +3.8m
  - LOWER LOW WATER LEVEL (L.L.W.L.) = -0.1m
- SNOW:
  - SPECIFIED GROUND SNOW LOAD  $S_s = 1.9\text{kPa}$
  - SPECIFIED ASSOCIATED RAIN LOAD  $S_r = 0.4\text{kPa}$
- WIND:
  - DESIGN WIND PRESSURE(1 IN 50 YEARS)  $q = 0.54\text{kPa}$

**GENERAL NOTES:**

**GENERAL**

- ALL DIMENSIONS ARE IN MILLIMETERS UNLESS NOTED OTHERWISE.
- ELEVATIONS ARE IN METRES RELATIVE TO LOCAL TIDE & CHART DATUM.

E			
D			
C			
B	ISSUED FOR TENDER	06.30.20	A.P.
A	ISSUED FOR REVIEW	05.03.20	A.P.
REVISION			

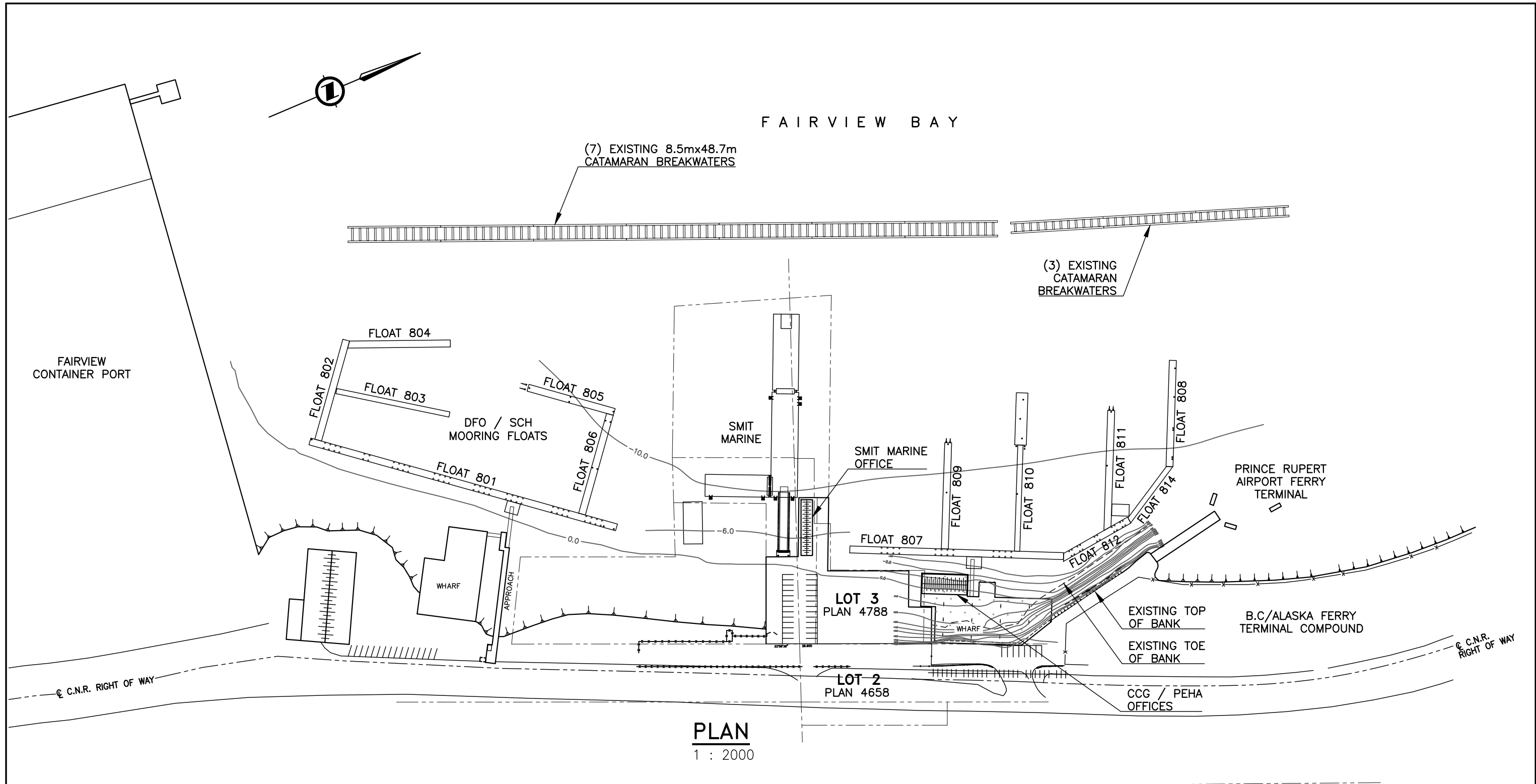


THIS DRAWING IS THE PROPERTY OF VILLHOLTH JENSEN & ASSOCIATES LTD. AND SHALL ONLY BE USED FOR THE PURPOSE TO WHICH IT REFERS. THIS DRAWING IS PREPARED SOLELY FOR THE USE BY THE PARTY WITH WHOM VILLHOLTH JENSEN & ASSOCIATES LTD. HAS ENTERED INTO A CONTRACT AND THERE ARE NO REPRESENTATIONS OF ANY KIND MADE BY VILLHOLTH JENSEN & ASSOCIATES LTD. TO ANY PARTY WITH WHOM VILLHOLTH JENSEN & ASSOCIATES LTD. HAS NOT ENTERED INTO A CONTRACT.

DESIGNED:	A.P.	SCALE:	AS NOTED
DRAWN:	P.D.M.	FILE No.	220105-RB3
CHECKED:	A.P.	CAD FILE NAME:	220105-RB3
APPROVED:		PROJECT No.	220105

**VJA ENGINEERING**  
VILLHOLTH JENSEN & ASSOC. LTD.  
CONSULTING ENGINEERS  
VANCOUVER, B.C.

**Fisheries and Oceans / Pêches et Océans / Small Craft Harbours Branch**  
**RUSHBROOK HARBOUR, PRINCE RUPERT**  
GENERAL NOTES AND REPAIR DETAILS  
DRAWING No. 220105-RB3  
REV. B



**NOTES:**  
1. REFER TO DRAWING -FV2 FOR GENERAL NOTES.

E			
D			
C			
B	ISSUED FOR TENDER	06.30.20	A.P.
A	ISSUED FOR REVIEW	05.03.20	A.P.
REVISION			

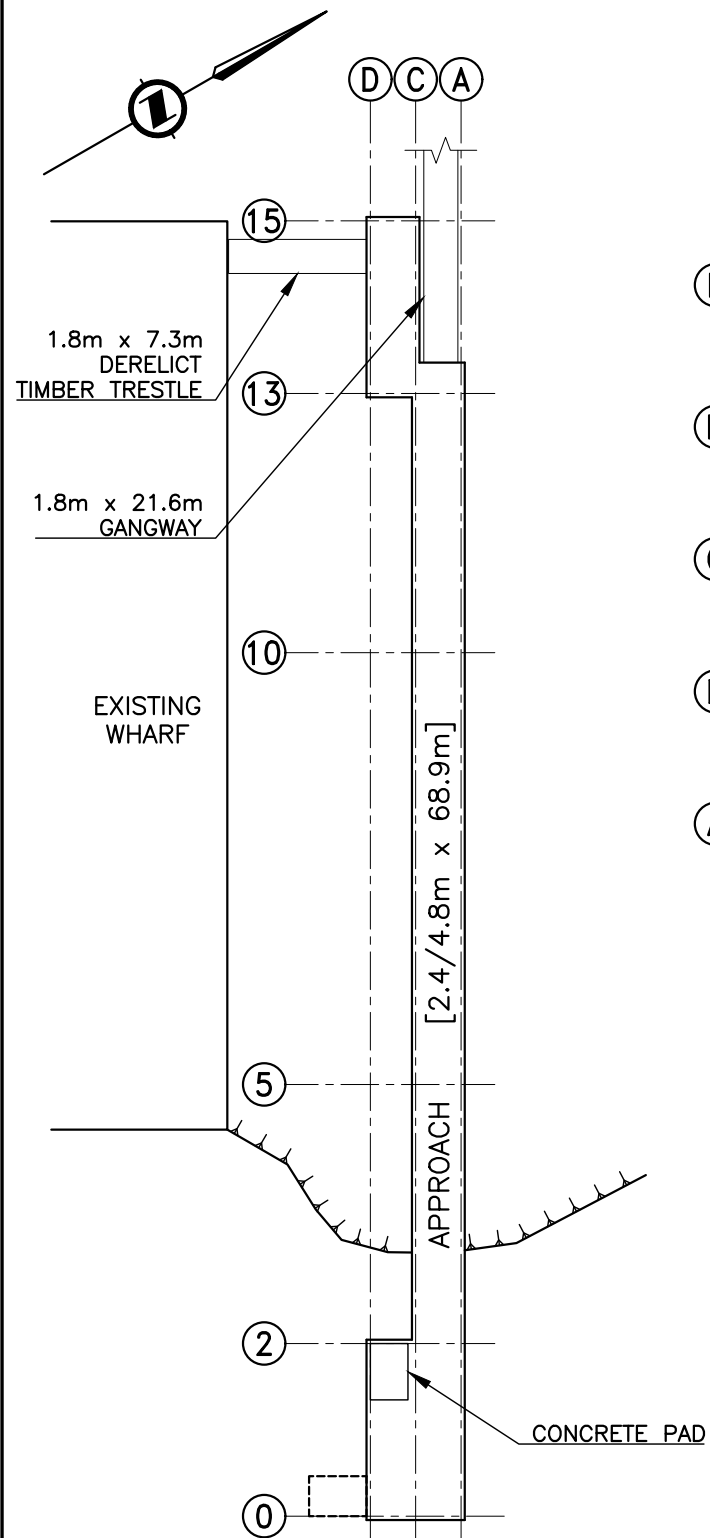
*A. E. Pedersen*

THIS DRAWING IS THE PROPERTY OF VILLHOLTH JENSEN & ASSOCIATES LTD. AND SHALL ONLY BE USED FOR THE PURPOSE TO WHICH IT REFERS. THIS DRAWING IS PREPARED SOLELY FOR THE USE BY THE PARTY WITH WHOM VILLHOLTH JENSEN & ASSOCIATES LTD. HAS ENTERED INTO A CONTRACT AND THERE ARE NO REPRESENTATIONS OF ANY KIND MADE BY VILLHOLTH JENSEN & ASSOCIATES LTD. TO ANY PARTY WITH WHOM VILLHOLTH JENSEN & ASSOCIATES LTD. HAS NOT ENTERED INTO A CONTRACT.

DESIGNED:	A.P.	SCALE:	1 : 2000
DRAWN:	P.D.M.	FILE No.	220105-FV1
CHECKED:	A.P.	CAD FILE NAME:	220105-FV1
APPROVED:		PROJECT No.	220105

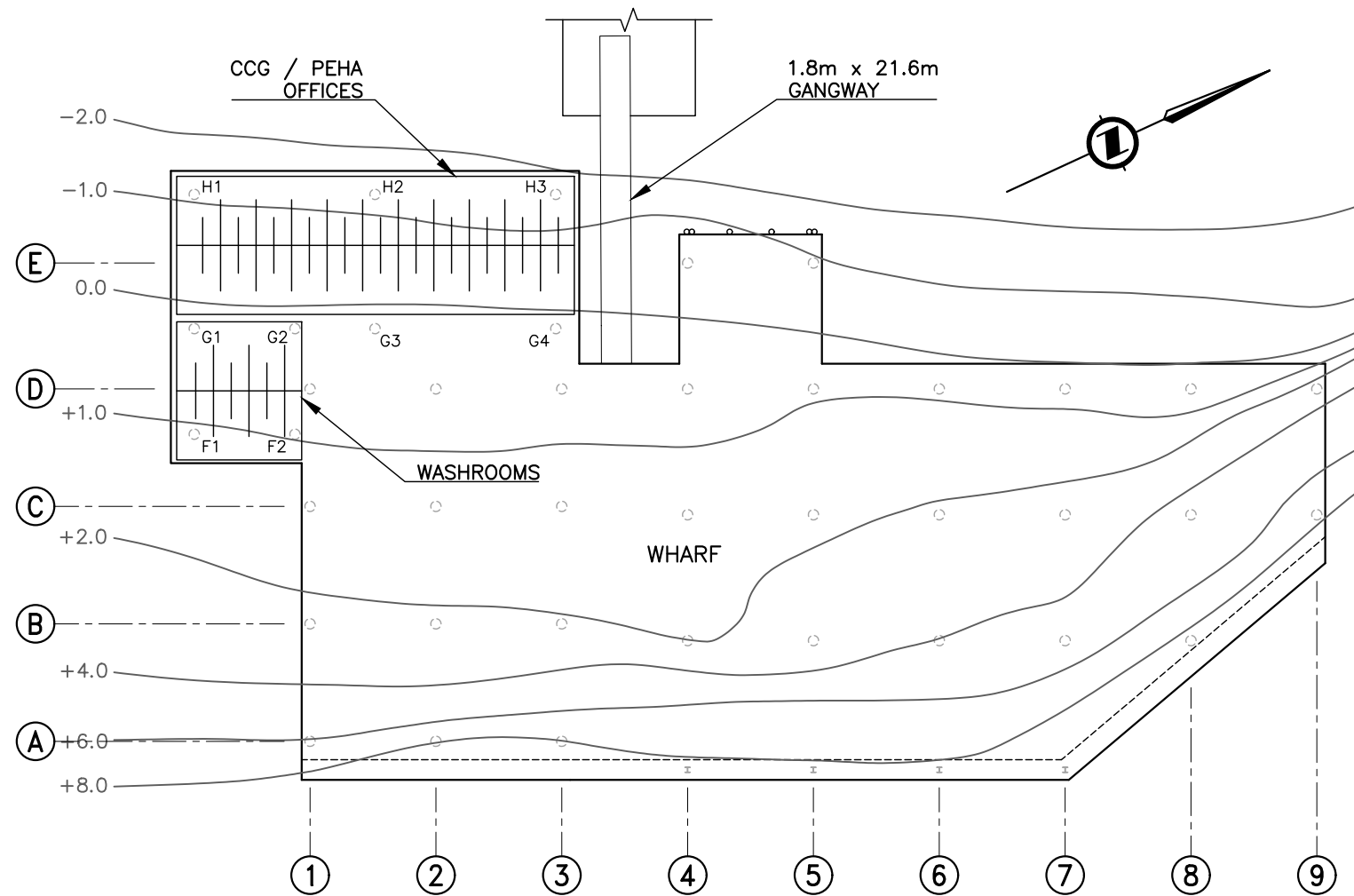
**VILLHOLTH JENSEN & ASSOC. LTD.**  
 CONSULTING ENGINEERS  
 VANCOUVER, B.C.

 <b>Fisheries and Oceans</b>	 <b>Pêches et Océans</b>	 <b>Small Craft Harbours Branch</b>
<b>FAIRVIEW HARBOUR, PRINCE RUPERT</b>		
<b>GENERAL ARRANGEMENT</b>	DRAWING No. <b>220105-FV1</b>	REV. <b>B</b>



**SOUTH HARBOUR APPROACH PLAN**

1 : 400



**NORTH HARBOUR WHARF PLAN**

1 : 400

**GENERAL NOTES:**

**GENERAL**

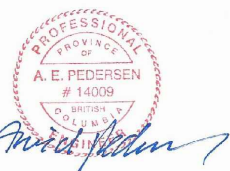
1. ALL DIMENSIONS ARE IN MILLIMETERS UNLESS NOTED OTHERWISE.
2. ELEVATIONS ARE IN METRES RELATIVE TO LOCAL TIDE & CHART DATUM.

**DESIGN CRITERIA**

**ENVIRONMENTAL**

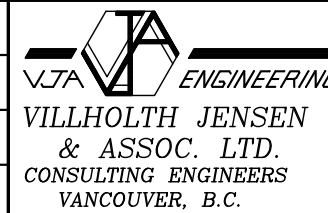
1. WATER LEVEL:
  - HIGHER HIGH WATER LEVEL (H.H.W.L.) = +7.5m
  - MEAN WATER LEVEL (M.W.L.) = +3.8m
  - LOWER LOW WATER LEVEL (L.L.W.L.) = -0.1m
2. SNOW:
  - SPECIFIED GROUND SNOW LOAD  $S_s = 1.9\text{kPa}$
  - SPECIFIED ASSOCIATED RAIN LOAD  $S_R = 0.4\text{kPa}$
3. WIND:
  - DESIGN WIND PRESSURE(1 IN 50 YEARS)  $q = 0.54\text{kPa}$

E			
D			
C			
B	ISSUED FOR TENDER	06.30.20	A.P.
A	ISSUED FOR REVIEW	05.03.20	A.P.
REVISION			

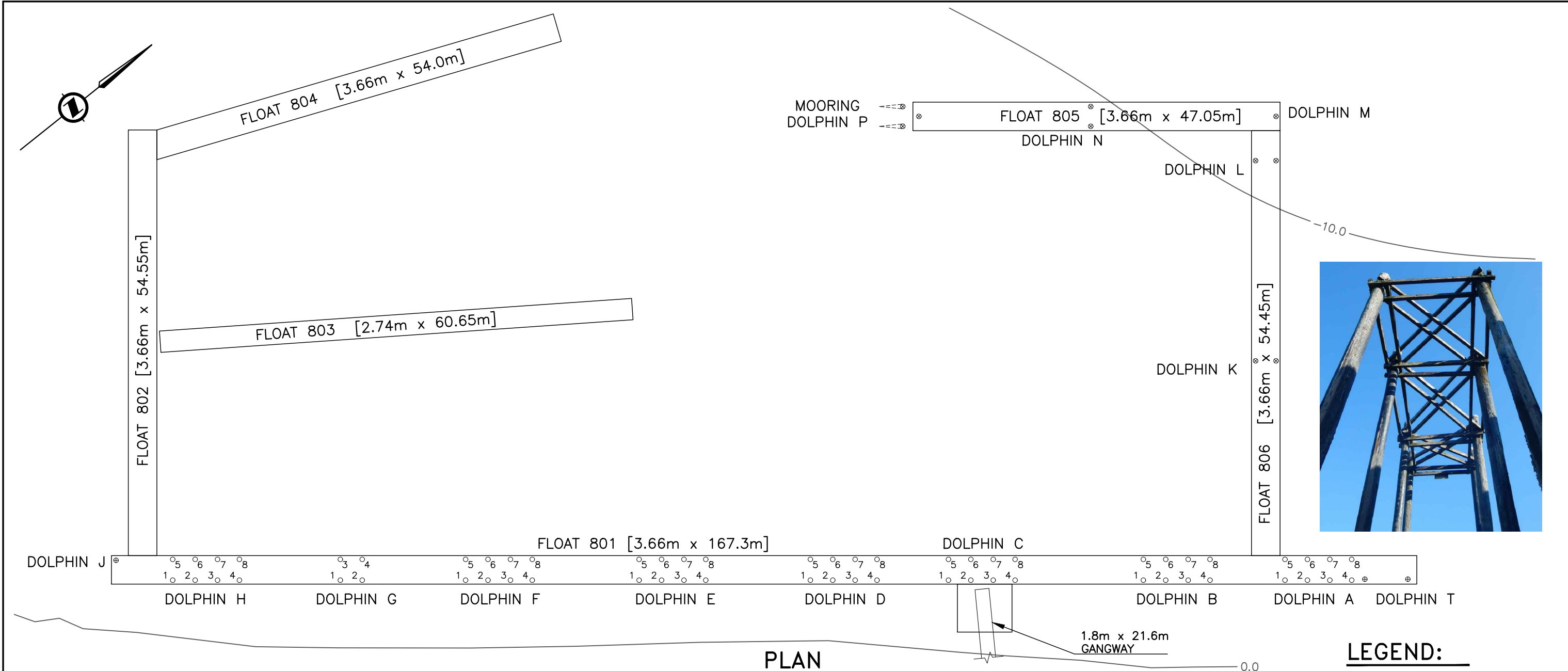


THIS DRAWING IS THE PROPERTY OF VILLHOLTH JENSEN & ASSOCIATES LTD. AND SHALL ONLY BE USED FOR THE PURPOSE TO WHICH IT REFERS. THIS DRAWING IS PREPARED SOLELY FOR THE USE BY THE PARTY WITH WHOM VILLHOLTH JENSEN & ASSOCIATES LTD. HAS ENTERED INTO A CONTRACT AND THERE ARE NO REPRESENTATIONS OF ANY KIND MADE BY VILLHOLTH JENSEN & ASSOCIATES LTD. TO ANY PARTY WITH WHOM VILLHOLTH JENSEN & ASSOCIATES LTD. HAS NOT ENTERED INTO A CONTRACT.

DESIGNED:	A.P.	SCALE:	1 : 400
DRAWN:	P.D.M.	FILE No.	220105-FV2
CHECKED:	A.P.	CAD FILE NAME:	220105-FV2
APPROVED:		PROJECT No.	220105



	Small Craft Harbours Branch	
	FAIRVIEW HARBOUR, PRINCE RUPERT	
APPROACH AND WHARF PLANS	DRAWING No. 220105-FV2	REV. B



**PLAN**  
1 : 500

- LEGEND:**
- TIMBER PILE [300Ø-400Ø]
  - ⊗ Ø457 STEEL PIPE PILE
  - ⊕ Ø610 STEEL PIPE PILE

**NOTES:**  
1. REFER TO DRAWING -FV2 FOR GENERAL NOTES.

E			
D			
C			
B	ISSUED FOR TENDER	06.30.20	A.P.
A	ISSUED FOR REVIEW	05.03.20	A.P.
REVISION			

*A. E. Pedersen*

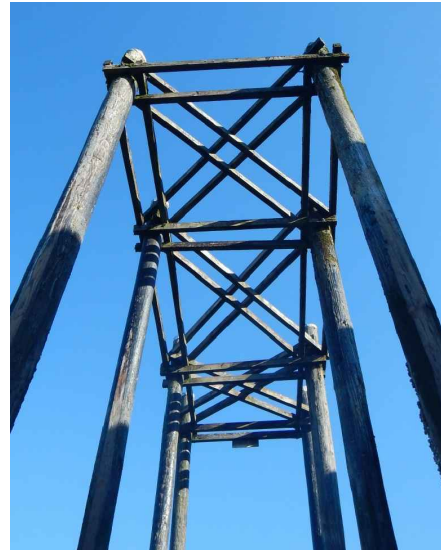
THIS DRAWING IS THE PROPERTY OF VILLHOLTH JENSEN & ASSOCIATES LTD. AND SHALL ONLY BE USED FOR THE PURPOSE TO WHICH IT REFERS. THIS DRAWING IS PREPARED SOLELY FOR THE USE BY THE PARTY WITH WHOM VILLHOLTH JENSEN & ASSOCIATES LTD. HAS ENTERED INTO A CONTRACT AND THERE ARE NO REPRESENTATIONS OF ANY KIND MADE BY VILLHOLTH JENSEN & ASSOCIATES LTD. TO ANY PARTY WITH WHOM VILLHOLTH JENSEN & ASSOCIATES LTD. HAS NOT ENTERED INTO A CONTRACT.

DESIGNED:	A.P.	SCALE:	1 : 500
DRAWN:	P.D.M.	FILE No.	220105-FV3
CHECKED:	A.P.	CAD FILE NAME:	220105-FV3
APPROVED:		PROJECT No.	220105

**VILLHOLTH JENSEN & ASSOC. LTD.**  
CONSULTING ENGINEERS  
VANCOUVER, B.C.

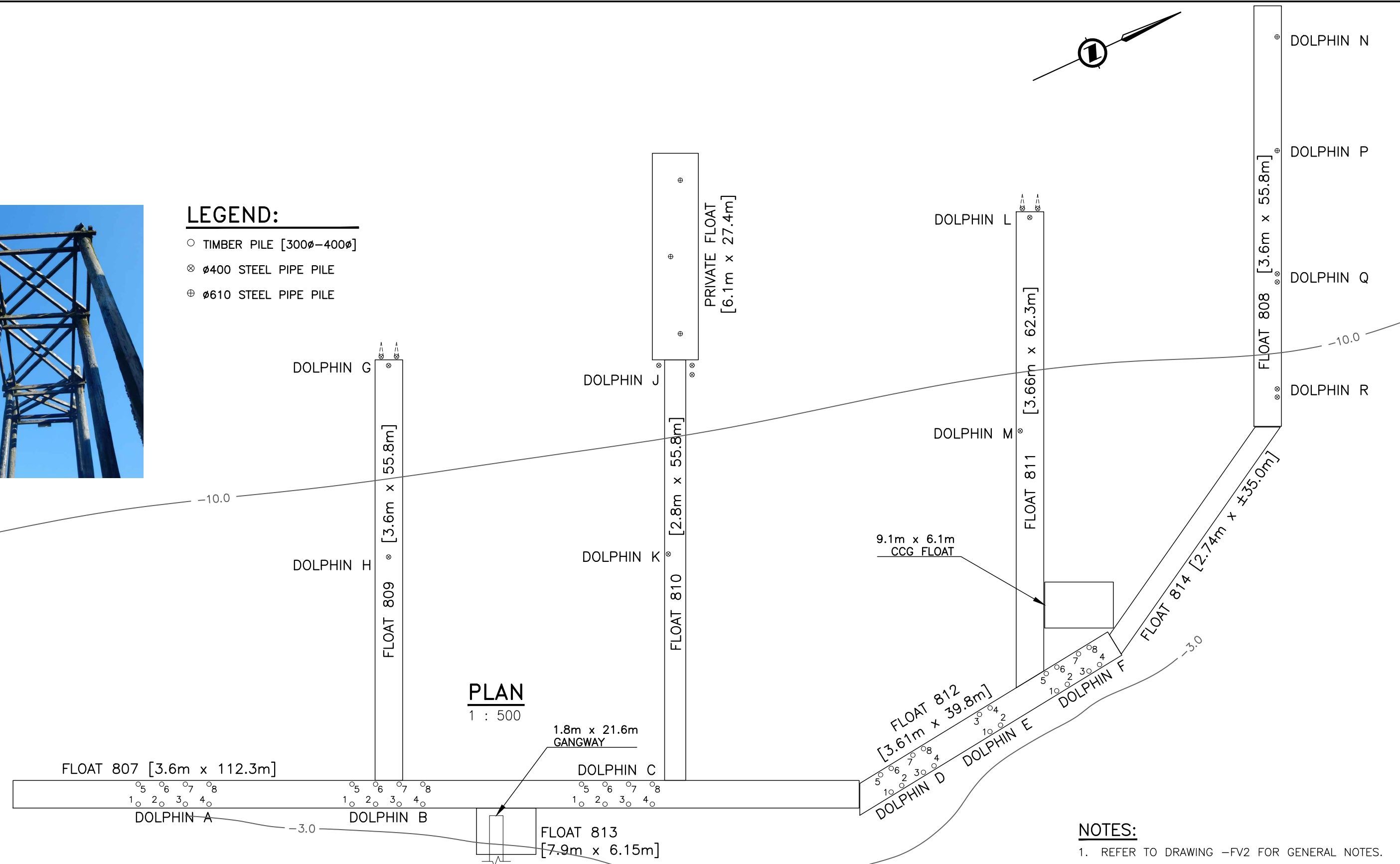
	Fisheries and Oceans / Pêches et Océans / Small Craft Harbours Branch
	<b>FAIRVIEW HARBOUR, PRINCE RUPERT</b>
<b>SOUTH HARBOUR MOORING FLOATS</b>	DRAWING No. 220105-FV3
	REV. B

June 29, 2020 4:00pm



**LEGEND:**

- TIMBER PILE [300φ-400φ]
- ⊗ Ø400 STEEL PIPE PILE
- ⊕ Ø610 STEEL PIPE PILE

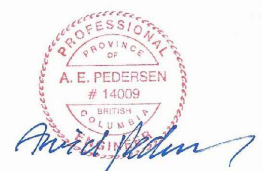


**PLAN**  
1 : 500

**NOTES:**

1. REFER TO DRAWING -FV2 FOR GENERAL NOTES.

E			
D			
C			
B	ISSUED FOR TENDER	06.30.20	A.P.
A	ISSUED FOR REVIEW	05.03.20	A.P.
REVISION			



THIS DRAWING IS THE PROPERTY OF VILLHOLTH JENSEN & ASSOCIATES LTD. AND SHALL ONLY BE USED FOR THE PURPOSE TO WHICH IT REFERS. THIS DRAWING IS PREPARED SOLELY FOR THE USE BY THE PARTY WITH WHOM VILLHOLTH JENSEN & ASSOCIATES LTD. HAS ENTERED INTO A CONTRACT AND THERE ARE NO REPRESENTATIONS OF ANY KIND MADE BY VILLHOLTH JENSEN & ASSOCIATES LTD. TO ANY PARTY WITH WHOM VILLHOLTH JENSEN & ASSOCIATES LTD. HAS NOT ENTERED INTO A CONTRACT.

DESIGNED:	A.P.	SCALE:	1 : 500
DRAWN:	P.D.M.	FILE No.	220105-FV4
CHECKED:	A.P.	CAD FILE NAME:	220105-FV4
APPROVED:		PROJECT No.	220105

**VJA ENGINEERING**  
**VILLHOLTH JENSEN & ASSOC. LTD.**  
 CONSULTING ENGINEERS  
 VANCOUVER, B.C.

**Fisheries and Oceans / Pêches et Océans / Small Craft Harbours Branch**  
**FAIRVIEW HARBOUR, PRINCE RUPERT**  
**NORTH HARBOUR MOORING FLOATS**  
 DRAWING No. 220105-FV4  
 REV. B