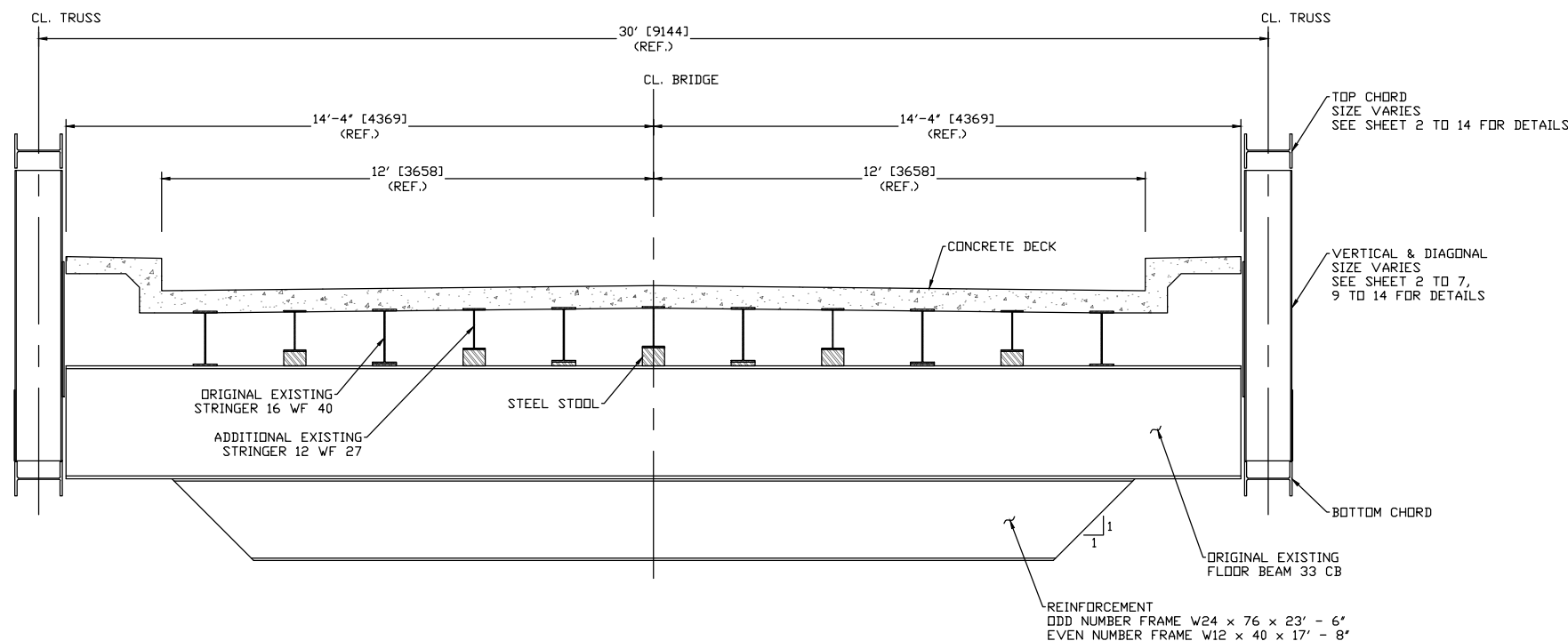


BRIDGE ELEVATION
SCALE 1:1000
(EAST ELEVATION SHOWN, WEST ELEVATION SIMILAR)



TYPICAL BRIDGE SECTION (A)
SCALE 1:50

GENERAL NOTES:

- DESIGN CODE CAN/CSA-S6-14
- DESIGN LIVE LOADS: CL-625
- TEMPERATURE DATA
(INTERPOLATED BETWEEN FORT NELSON AND WATSON LAKE)
- MAXIMUM DAILY MEAN TEMPERATURE 24 °C
- MINIMUM DAILY MEAN TEMPERATURE -46 °C
- WIND DATA
- REFERENCE WIND PRESSURE WITH 10 YEAR RETURN PERIOD (DURING CONSTRUCTION) AT FORT NELSON = 0.21 KPa. & WATSON LAKE = 0.26 KPa.
- ALL STATIONS AND ELEVATIONS ARE IN METRES.
- ALL OTHER DIMENSIONS ARE IN MILLIMETRES UNLESS NOTED OTHERWISE.
- ALL ELEVATIONS ARE TO GEODETIC DATUM.

Revision/Revision	Description/Description	Date/Date
5		
4		
3		
2	RE-ISSUED FOR TENDER	20/05/15
1	ISSUED FOR TENDER	20/03/31
0	ISSUED FOR REVIEW	19/10/31

Client/client
PSPC CANADA



Project title/Titre du projet
LOWER LIARD RIVER BRIDGE STRENGTHENING, KM 763.3, ALASKA HIGHWAY, BC

Consultant Signature Only

Designed by/Concept par
A.KANSAL

Drawn by/Dessiné par
H.RYU / A.BAANG

PWGSC Project Manager/Administrateur de Projets TPSGC
R.AIOUCH

PWGSC, Regional Manager, Architectural and Engineering Services/
Gestionnaire régionale, Services d'architecture et de génie, TPSGC
PWGSC-REG_MGR

Drawing title/Titre du dessin
GENERAL LAYOUT AND NOTES

Project No./No. du projet	Sheet/Fauille	Revision no./La Révision no.
R.017173.355	01 OF 14	0

LEGEND	
	EXISTING
	NEW ELEMENT
	BOLT

Revision/Revision	Description/Description	Date/Date
5		
4		
3		
2	RE-ISSUED FOR TENDER	20/05/15
1	ISSUED FOR TENDER	20/03/31
0	ISSUED FOR REVIEW	19/10/31

Client/client
PSPC CANADA

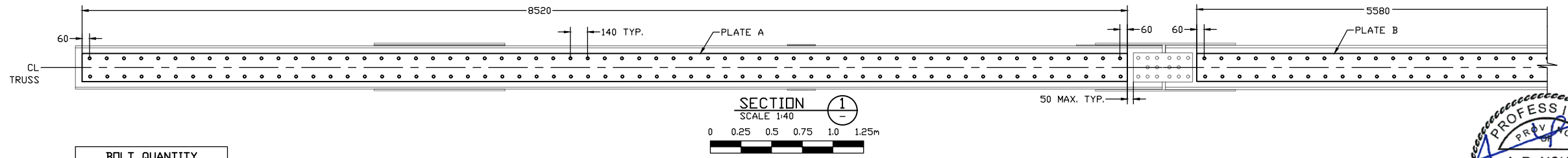
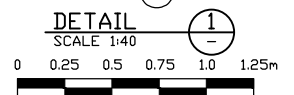
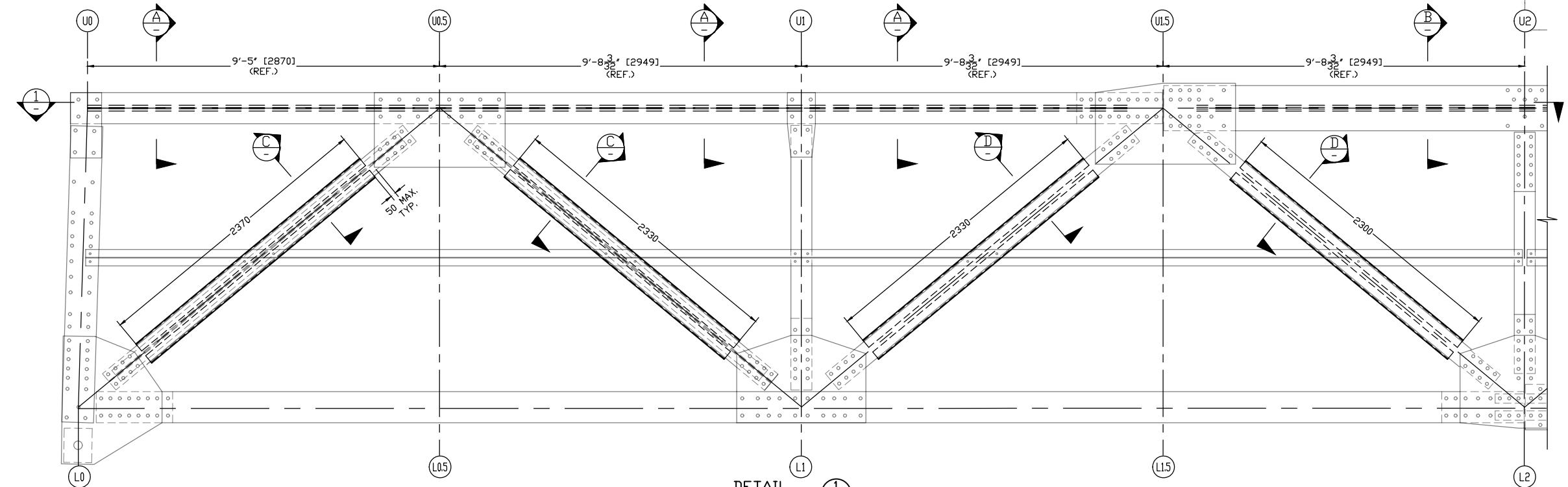
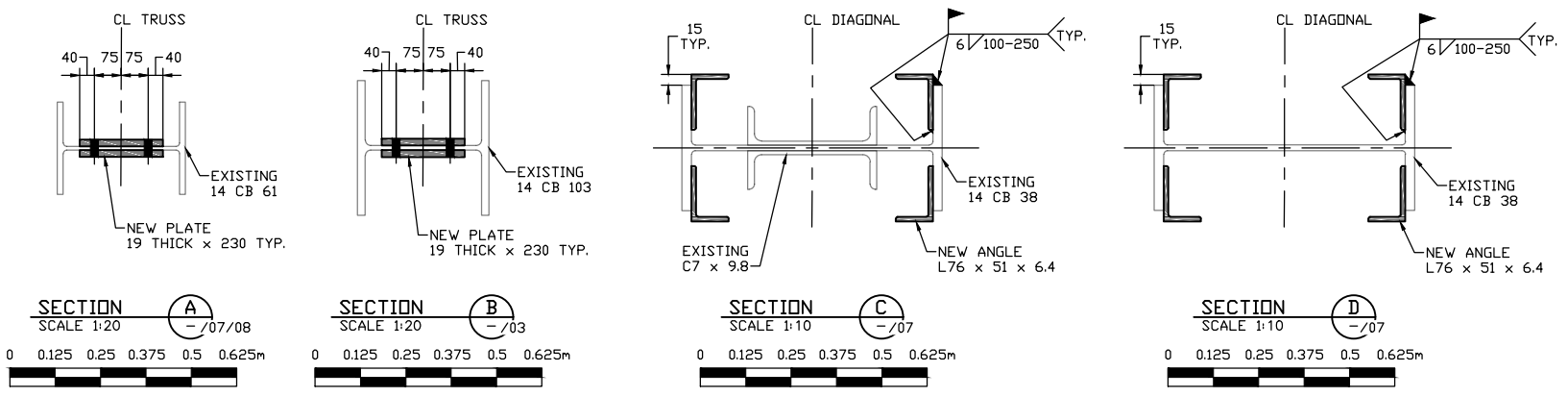
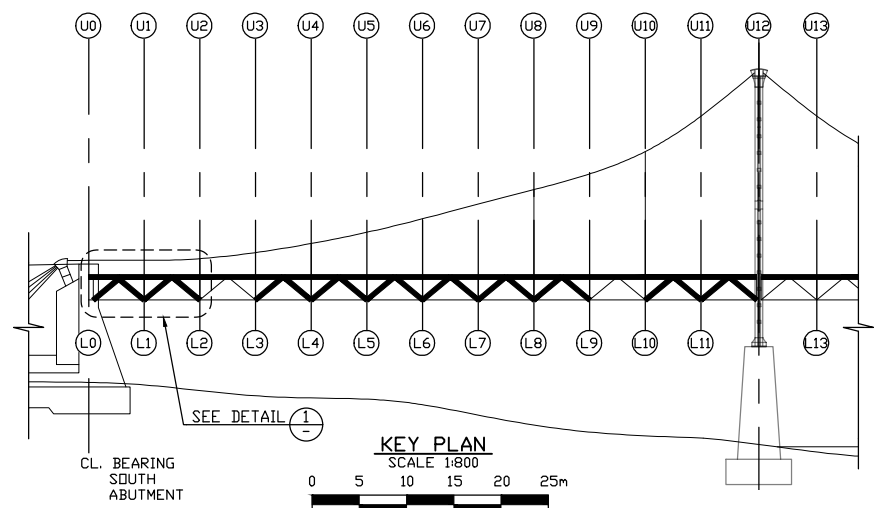


Project title/Titre du projet
LOWER LIARD RIVER BRIDGE STRENGTHENING, KM 763.3, ALASKA HIGHWAY, BC

Consultant Signature Only
Designed by/Concept par
A.KANSAL
Drawn by/Dessiné par
H.RYU / A.BAANG
PWGSC Project Manager/Administrateur de Projets TPSGC
R.AIOUCH
PWGSC, Regional Manager, Architectural and Engineering Services/
Gestionnaire régionale, Services d'architecture et de génie, TPSGC
PWGSC-REG_MGR

Drawing title/Titre du dessin
SECTION DETAILS FOR STRENGTHENING PART 1 OF 13

Project No./No. du projet	Sheet/Fauille	Revision no./La Révision no.
R.017173.355	02 OF 14	0



BOLT QUANTITY	
PLATE	QUANTITY *
PL. A	122
PL. B	80

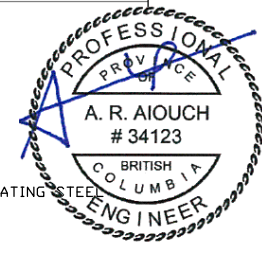
* THE QUANTITY IS GIVEN FOR THIS SPAN ONLY. (SEE KEY PLAN) THE TOTAL BOLT QUANTITY FOR THE BRIDGE IS FOUR TIMES WHAT IS INDICATED ON THIS DRAWING.

PROCEDURE:

- ATTACH NEW REINFORCING PLATES ON THE OUTSIDE OF BOTH FLANGES AND/OR WEB OF DIAGONALS.
 - WIRE BRUSH AND CLEAN EXISTING FLANGES AND/OR WEB TO RECEIVE NEW PLATES. LOCAL CORROSION ON CONTACT SURFACES SHALL BE REMOVED BY POWER TOOLING AND THE CLEANED SURFACES PAINTED IN ACCORDANCE WITH THE CONTRACT SPECIFICATIONS PRIOR TO BOLTING TOGETHER WITH THE NEW STEEL PLATE, APPROXIMATELY 2m².
 - LOCATE NEW REINFORCING PLATES BY CENTERING PLATES BETWEEN GUSSET PLATES. PLATE LENGTHS SHOULD BE 50mm MAX. SHORT OF DISTANCE BETWEEN GUSSET PLATES.
 - STACK DRILL AND MATCHMARK PAIRS OF REINFORCING PLATES.
 - DRILL THROUGH DIAGONAL FLANGES AND/OR WEB USING HOLES IN NEW REINFORCING PLATES AS A TEMPLATE.
- WORK MAY ONLY PROCEED ON ONE SIDE OF THE BRIDGE AT A TIME.
- TRAFFIC TO BE KEPT OFF THE SIDE OF THE BRIDGE ON WHICH THE CONTRACTOR IS WORKING AT ALL TIMES BETWEEN COMMENCING AND FINISHING THE WORK ON THE BRIDGE.

NOTES:

- FOR GENERAL NOTES SEE DRAWING 01.
- DIMENSIONS ARE FOR INFORMATION ONLY. CONTRACTOR TO VERIFY DIMENSIONS ON SITE PRIOR TO FABRICATING STEEL PLATES.
- ALL PLATES, ANGLES AND CHANNELS TO CONFORM TO CAN/CSA G40.21 GRADE 300W.
- ALL WELDING SHALL BE CONFORMED TO CSA-W59, AND SHALL BE UNDER TAKEN BY A COMPANY CERTIFIED BY THE CANADIAN WELDING BUREAU TO THE REQUIREMENTS OF CSA-W47.1 DIVISION 2 OR BETTER.
- ALL NEW PLATES SHALL BE SHOP COATED WITH A 3-COAT SYSTEM AS PER THE CONTRACT DOCUMENTS. TOP COAT COLOUR SHALL MATCH THE EXISTING PAINT COLOUR AS CLOSELY AS PRACTICABLE. THE COLOUR SHALL BE APPROVED BY THE OWNER.
- ALL CONNECTION BOLTS TO BE M20 AND CONFORM TO ASTM F3125-15a GRADE A325M, TYPE 1.
- THE CONTRACTOR SHALL PROTECT AND MAINTAIN ALL EXISTING UTILITIES, RAILINGS AND CONCRETE DECK DURING STRENGTHENING WORK. THE CONTRACTOR MAY TEMPORARILY REMOVE AND REINSTALL THE ABOVE MENTIONED IF NECESSARY.



LEGEND	
	EXISTING
	NEW ELEMENT
	BOLT

Revision/Revision	Description/Description	Date/Date
5		
4		
3		
2	RE-ISSUED FOR TENDER	20/05/15
1	ISSUED FOR TENDER	20/03/31
0	ISSUED FOR REVIEW	19/10/31

Client/client
PSPC CANADA

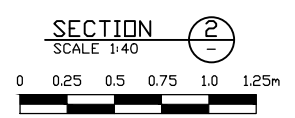
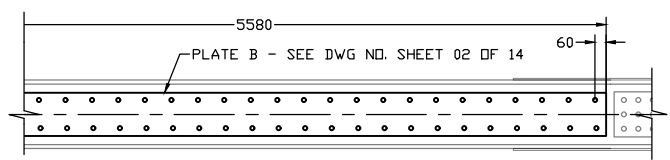
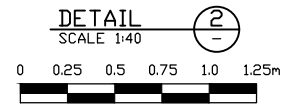
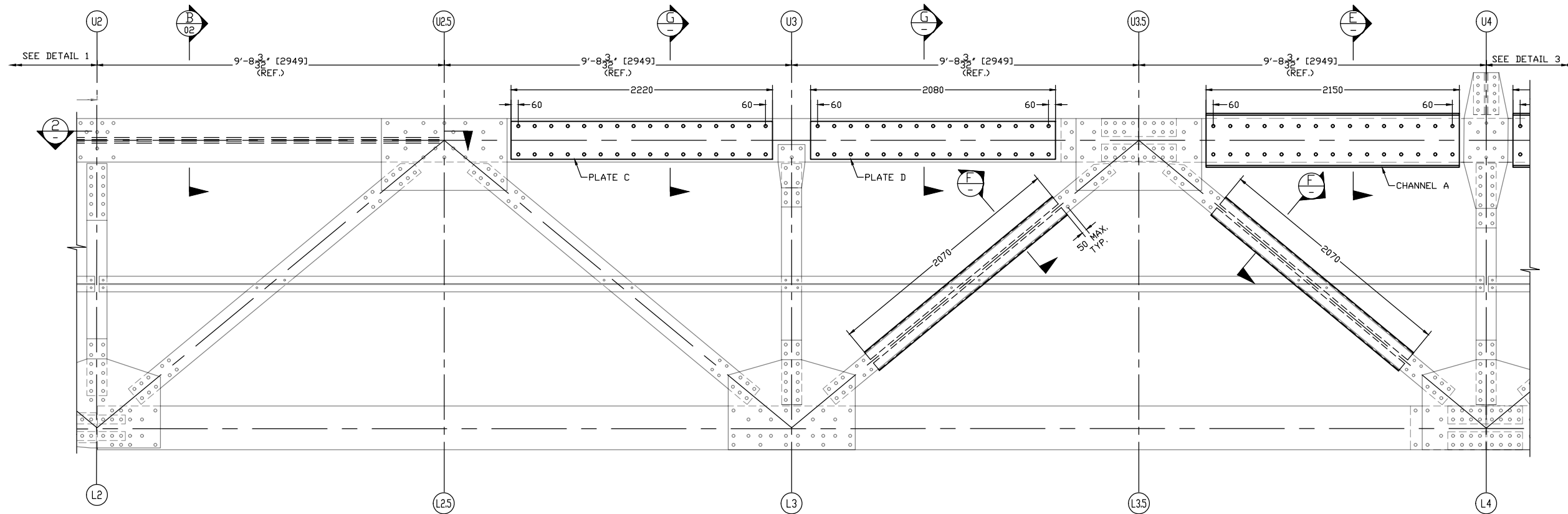
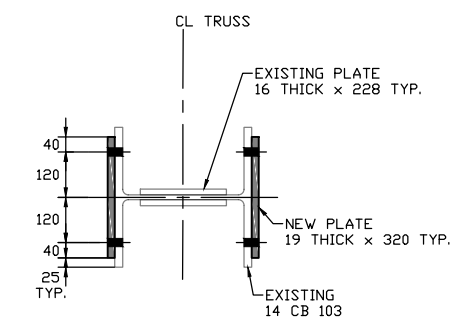
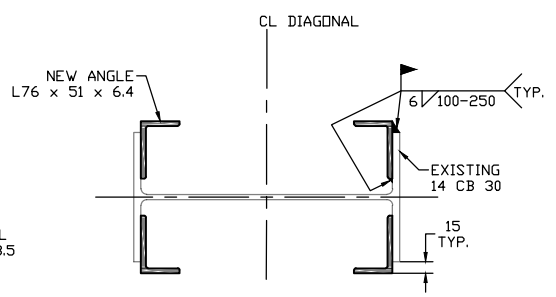
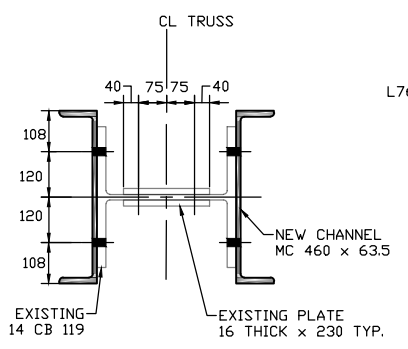
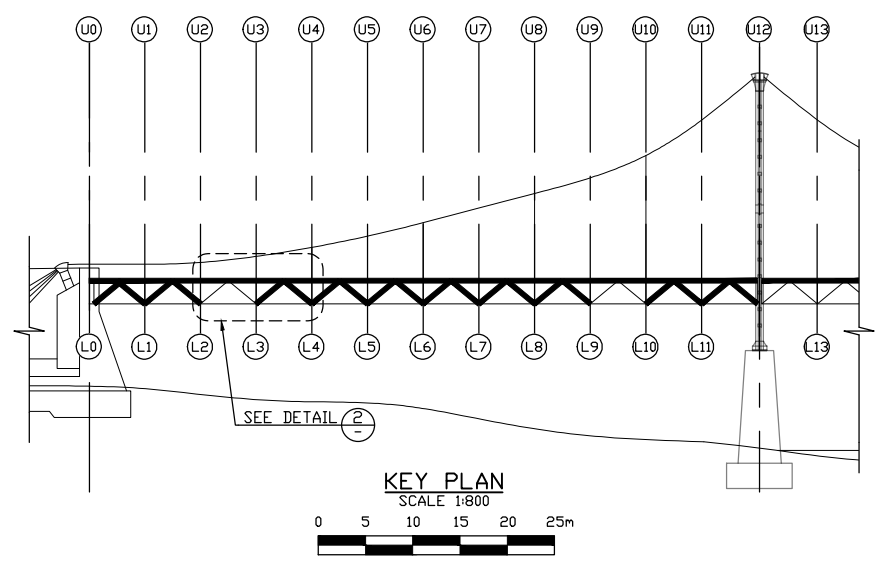


Project title/Titre du projet
LOWER LIARD RIVER BRIDGE STRENGTHENING, KM 763.3, ALASKA HIGHWAY, BC

Consultant Signature Only
Designed by/Concept par
A.KANSAL
Drawn by/Dessiné par
H.RYU / A.BAANG
PWGSC Project Manager/Administrateur de Projets TPSGC
R.AIOUCH
PWGSC, Regional Manager, Architectural and Engineering Services/
Gestionnaire régionale, Services d'architecture et de génie, TPSGC
PWGSC-REG_MGR

Drawing title/Titre du dessin
SECTION DETAILS FOR STRENGTHENING PART 2 OF 13

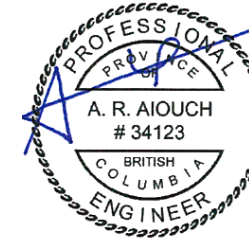
Project No./No. du projet	Sheet/Fauille	Revision no./La Révision no.
R.017173.355	03 OF 14	0



BOLT QUANTITY	
PLATE	QUANTITY *
PL. C	64
PL. D	60
CH. A	60

* THE QUANTITY IS GIVEN FOR THIS SPAN ONLY. (SEE KEY PLAN) THE TOTAL BOLT QUANTITY FOR THE BRIDGE IS FOUR TIMES WHAT IS INDICATED ON THIS DRAWING.

- NOTES:
- FOR GENERAL NOTES SEE DRAWING 01.
 - FOR PROCEDURE AND NOTES REFER TO DRAWING 02.



LEGEND	
	EXISTING
	NEW ELEMENT
	BLT

Revision/ Révision	Description/Description	Date/Date
5		
4		
3		
2	RE-ISSUED FOR TENDER	20/05/15
1	ISSUED FOR TENDER	20/03/31
0	ISSUED FOR REVIEW	19/10/31

Client/client: **PSPC CANADA**



Project title/Titre du projet: **LOWER LIARD RIVER BRIDGE STRENGTHENING, KM 763.3, ALASKA HIGHWAY, BC**

Consultant Signature Only

Designed by/Concept par: **A.KANSAL**

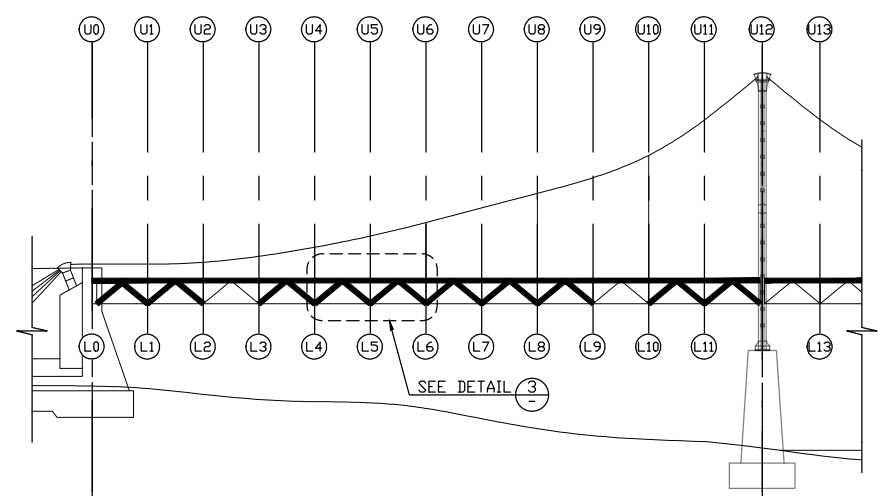
Drawn by/Dessiné par: **H.RYU / A.BAANG**

PWGC Project Manager/Administrateur de Projets TPSGC: **R.AIOUCH**

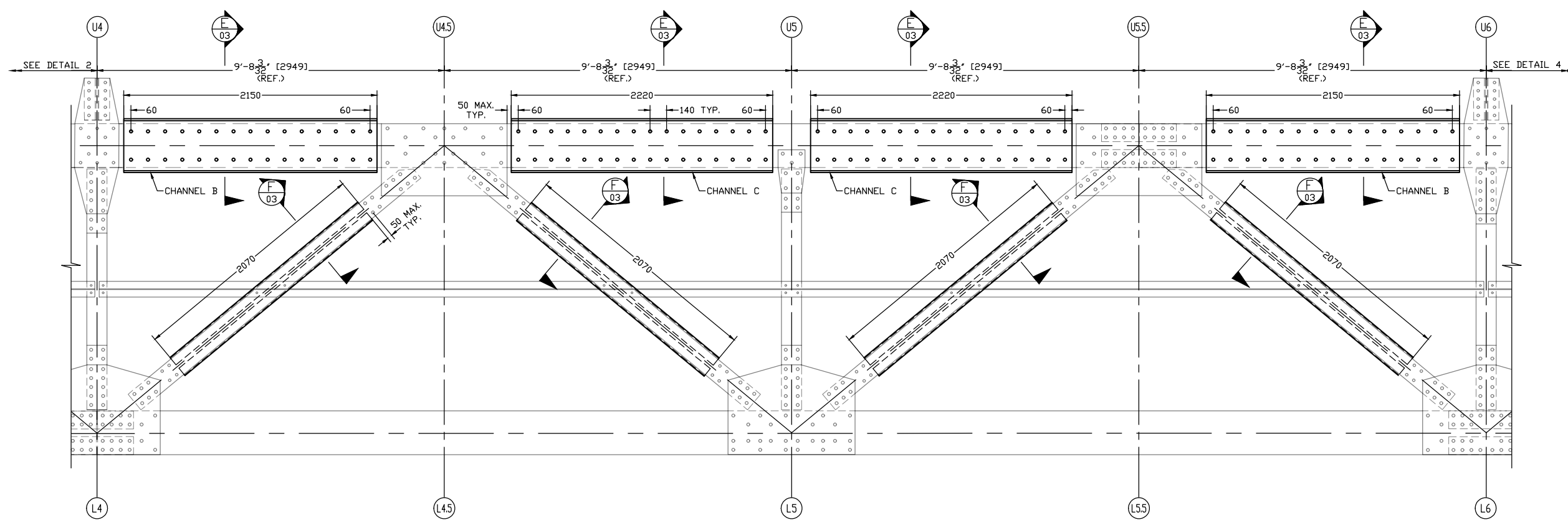
PWGC, Regional Manager, Architectural and Engineering Services/ Gestionnaire régionale, Services d'architecture et de génie, TPSGC: **PWGC-REG_MGR**

Drawing title/Titre du dessin: **SECTION DETAILS FOR STRENGTHENING PART 3 OF 13**

Project No./No. du projet: R.017173.355	Sheet/Fauille: 04 OF 14	Revision no./La Révision no.: 0
--	-----------------------------------	--



KEY PLAN
SCALE 1:800

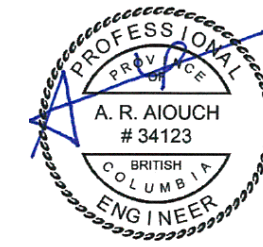


DETAIL 3
SCALE 1:40

BLT QUANTITY	
PLATE	QUANTITY *
CH. B	120
CH. C	128

* THE QUANTITY IS GIVEN FOR THIS SPAN ONLY. (SEE KEY PLAN) THE TOTAL BLT QUANTITY FOR THE BRIDGE IS FOUR TIMES WHAT IS INDICATED ON THIS DRAWING.

- NOTES:**
- FOR GENERAL NOTES, SEE DRAWING 01.
 - FOR PROCEDURE AND NOTES, REFER TO DRAWING 02.



LEGEND	
	EXISTING
	NEW ELEMENT
	BLT

Revision/Revision	Description/Description	Date/Date
5		
4		
3		
2	RE-ISSUED FOR TENDER	20/05/15
1	ISSUED FOR TENDER	20/03/31
0	ISSUED FOR REVIEW	19/10/31

Client/client
PSPC CANADA

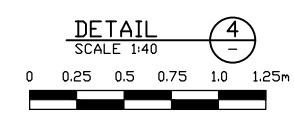
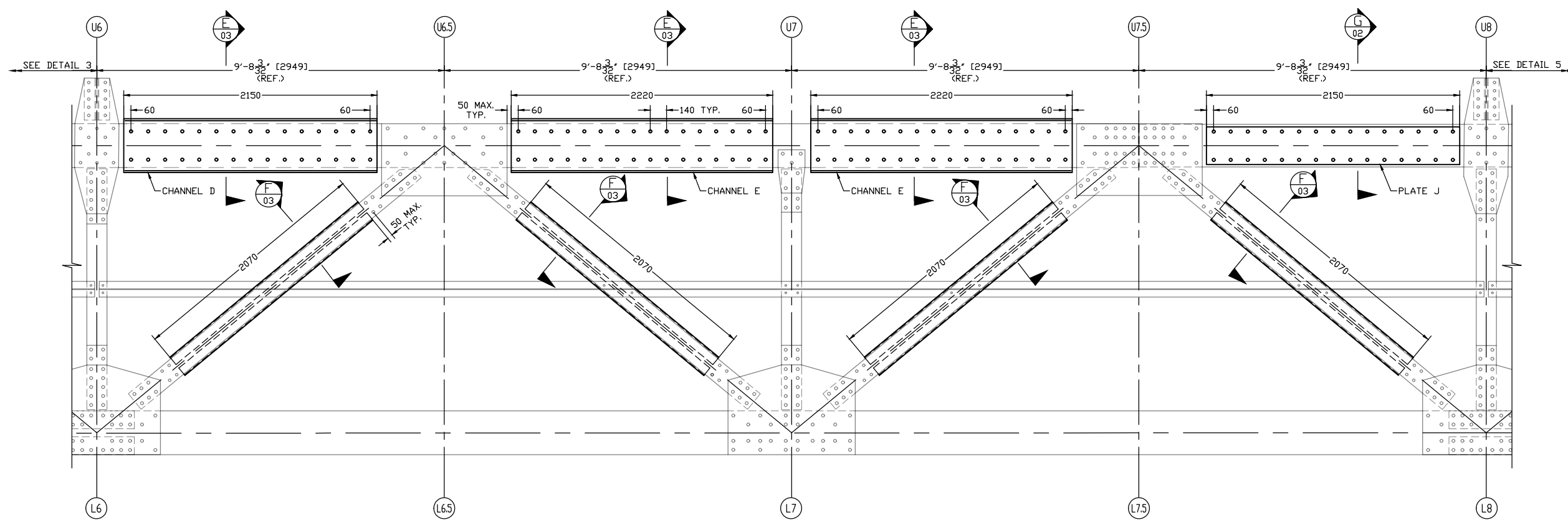
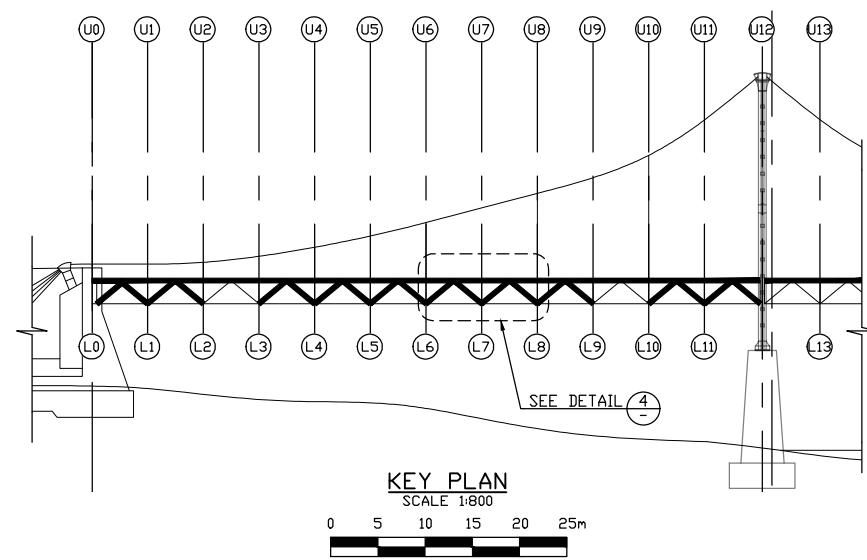


Project title/Titre du projet
**LOWER LIARD RIVER BRIDGE
STRENGTHENING, KM 763.3,
ALASKA HIGHWAY, BC**

Consultant Signature Only
Designed by/Concept par
A.KANSAL
Drawn by/Dessiné par
H.RYU / A.BAANG
PWGSC Project Manager/Administrateur de Projets TPSGC
R.AIOUCH
PWGSC, Regional Manager, Architectural and Engineering Services/
Gestionnaire régionale, Services d'architecture et de génie, TPSGC
PWGSC-REG_MGR

Drawing title/Titre du dessin
**SECTION DETAILS
FOR STRENGTHENING
PART 4 OF 13**

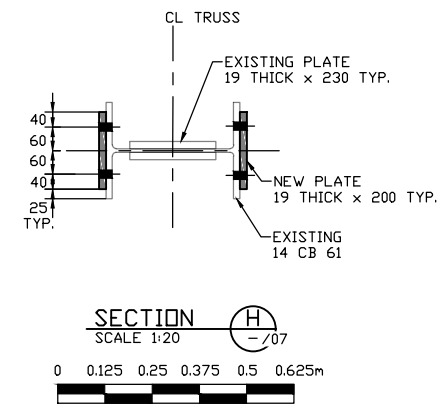
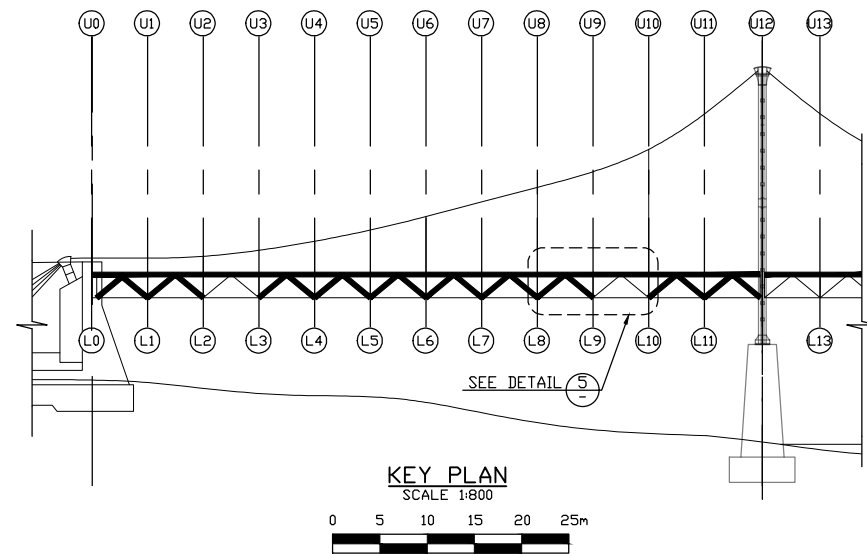
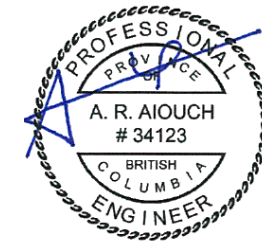
Project No./No. du projet	Sheet/Fauille	Revision no./ La Révision no.
R.017173.355	05 OF 14	0



BLT QUANTITY	
PLATE	QUANTITY *
CH. D	60
CH. E	128
PL. J	60

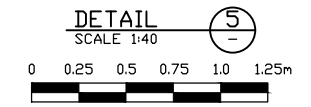
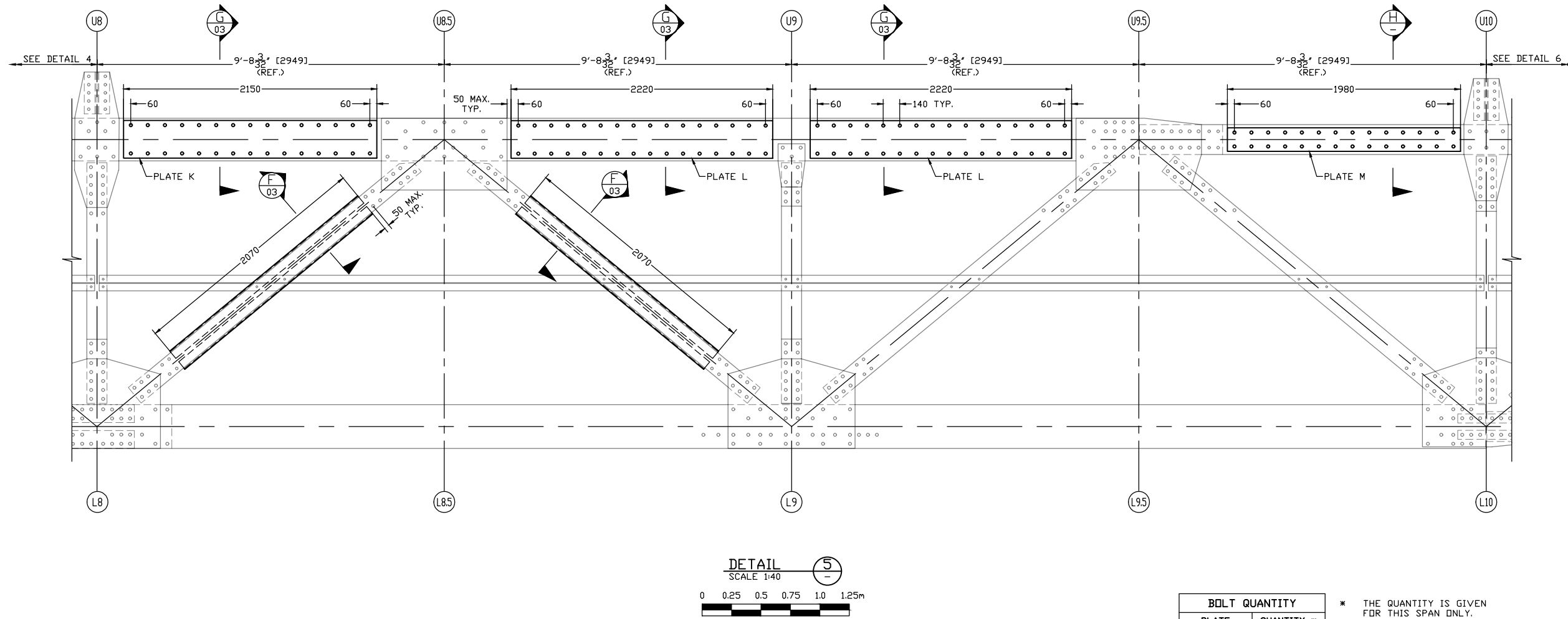
* THE QUANTITY IS GIVEN FOR THIS SPAN ONLY. (SEE KEY PLAN) THE TOTAL BLT QUANTITY FOR THE BRIDGE IS FOUR TIMES WHAT IS INDICATED ON THIS DRAWING.

- NOTES:**
- FOR GENERAL NOTES, SEE DRAWING 01.
 - FOR PROCEDURE AND NOTES, REFER TO DRAWING 02.



LEGEND	
	EXISTING
	NEW ELEMENT
	BOLT

Revision/ Révision	Description/Description	Date/Date
5		
4		
3		
2	RE-ISSUED FOR TENDER	20/05/15
1	ISSUED FOR TENDER	20/03/31
0	ISSUED FOR REVIEW	19/10/31



BOLT QUANTITY	
PLATE	QUANTITY *
PL. K	60
PL. L	128
PL. M	56

* THE QUANTITY IS GIVEN FOR THIS SPAN ONLY. (SEE KEY PLAN) THE TOTAL BOLT QUANTITY FOR THE BRIDGE IS FOUR TIMES WHAT IS INDICATED ON THIS DRAWING.

- NOTES:**
- FOR GENERAL NOTES, SEE DRAWING 01.
 - FOR PROCEDURE AND NOTES, REFER TO DRAWING 02.

Client/client
PSPC CANADA

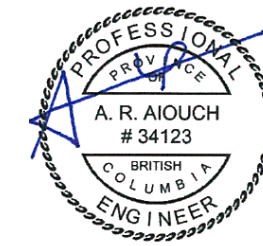


Project title/Titre du projet
LOWER LIARD RIVER BRIDGE STRENGTHENING, KM 763.3, ALASKA HIGHWAY, BC

Consultant Signature Only
Designed by/Concept par
A.KANSAL
Drawn by/Dessiné par
H.RYU / A.BAANG
PWGSC Project Manager/Administrateur de Projets TPSGC
R.AIOUCH
PWGSC, Regional Manager, Architectural and Engineering Services/
Gestionnaire régionale, Services d'architecture et de génie, TPSGC
PWGSC-REG_MGR

Drawing title/Titre du dessin
SECTION DETAILS FOR STRENGTHENING PART 5 OF 13

Project No./No. du projet	Sheet/Fauille	Revision no./La Révision no.
R.017173.355	06 OF 14	0



LEGEND	
	EXISTING
	NEW ELEMENT
	BOLT

Revision/Revision	Description/Description	Date/Date
5		
4		
3		
2	RE-ISSUED FOR TENDER	20/05/15
1	ISSUED FOR TENDER	20/03/31
0	ISSUED FOR REVIEW	19/10/31

Client/client: **PSPC CANADA**



Project title/Titre du projet: **LOWER LIARD RIVER BRIDGE STRENGTHENING, KM 763.3, ALASKA HIGHWAY, BC**

Consultant Signature Only

Designed by/Concept par: **A.KANSAL**

Drawn by/Dessiné par: **H.RYU / A.BAANG**

PWGC Project Manager/Administrateur de Projets TPSGC: **R.AIOUCH**

PWGC, Regional Manager, Architectural and Engineering Services/Gestionnaire régionale, Services d'architectural et de génie, TPSGC: **PWGC-REG_MGR**

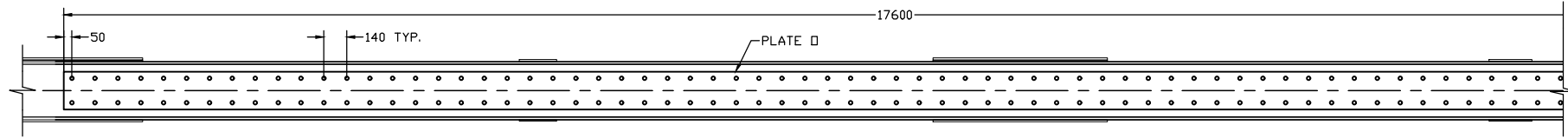
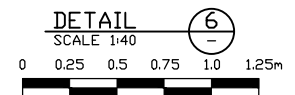
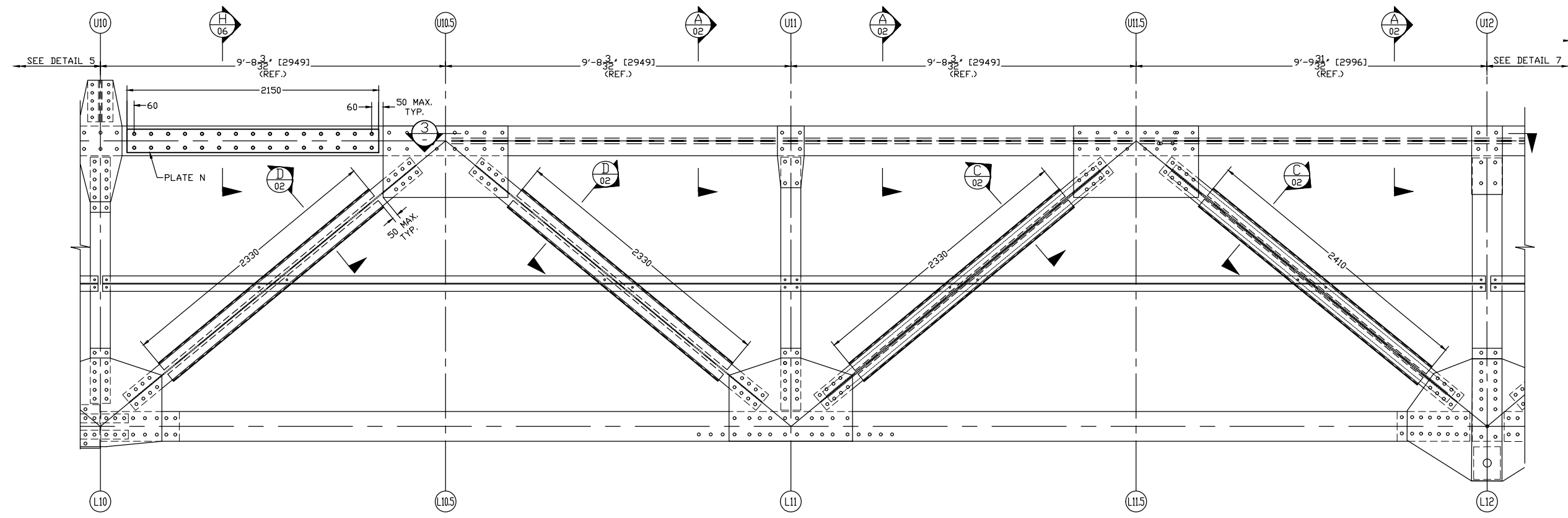
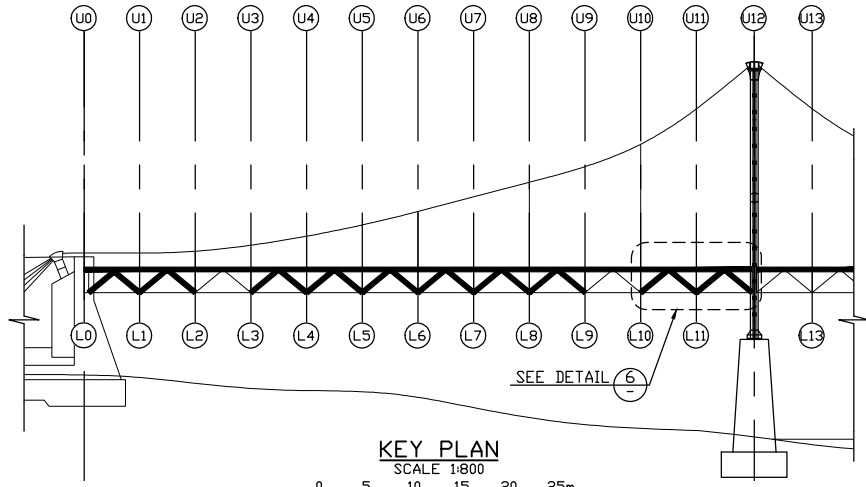
Drawing title/Titre du dessin

SECTION DETAILS FOR STRENGTHENING PART 6 OF 13

Project No./No. du projet: **R.017173.355**

Sheet/Fauille: **07 OF 14**

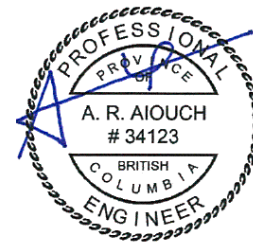
Revision no./La Révision no.: **0**



BOLT QUANTITY	
PLATE	QUANTITY *
PL. N	60
PL. D	252

* THE QUANTITY IS GIVEN FOR THIS SPAN ONLY. (SEE KEY PLAN) THE TOTAL BRIDGE IS FOUR TIMES WHAT IS INDICATED ON THIS DRAWING.

- NOTES:
- FOR GENERAL NOTES SEE DRAWING 01.
 - FOR PROCEDURE AND NOTES REFER TO DRAWING 02.



LEGEND	
	EXISTING
	NEW ELEMENT
	BOLT

Revision/Revision	Description/Description	Date/Date
5		
4		
3		
2	RE-ISSUED FOR TENDER	20/05/15
1	ISSUED FOR TENDER	20/03/31
0	ISSUED FOR REVIEW	19/10/31

Client/client
PSPC CANADA

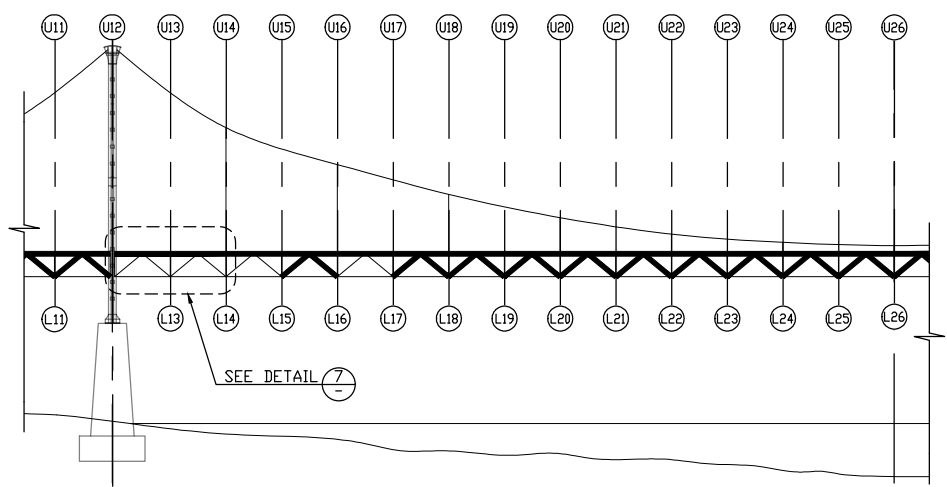


Project title/Titre du projet
LOWER LIARD RIVER BRIDGE STRENGTHENING, KM 763.3, ALASKA HIGHWAY, BC

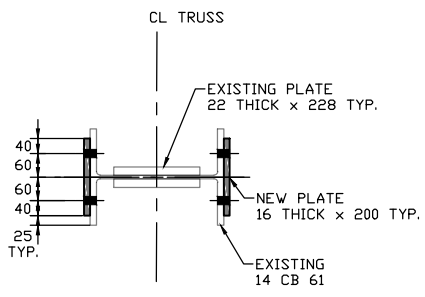
Consultant Signature Only
Designed by/Concept par
A.KANSAL
Drawn by/Dessiné par
H.RYU / A.BAANG
PWGSC Project Manager/Administrateur de Projets TPSGC
R.AIOUCH
PWGSC, Regional Manager, Architectural and Engineering Services/
Gestionnaire régionale, Services d'architectural et de génie, TPSGC
PWGSC-REG_MGR

Drawing title/Titre du dessin
SECTION DETAILS FOR STRENGTHENING PART 7 OF 13

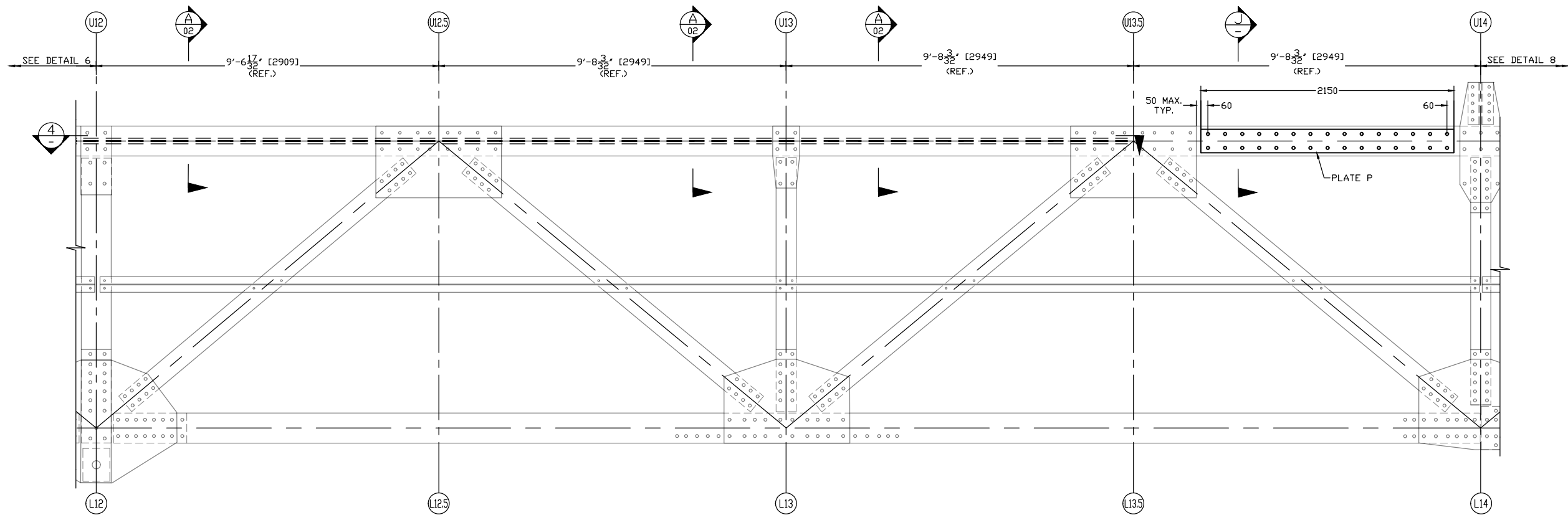
Project No./No. du projet	Sheet/Fauille	Revision no./La Révision no.
R.017173.355	08 OF 14	0



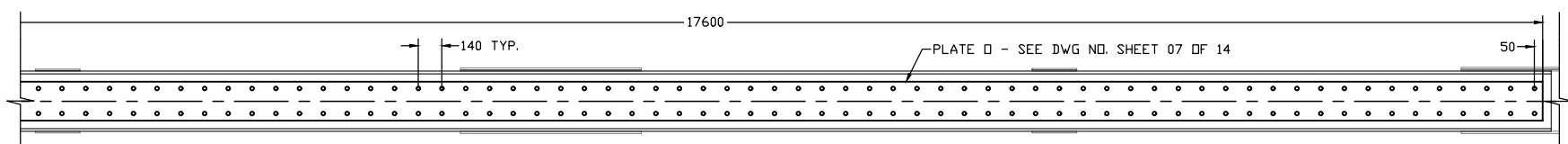
KEY PLAN
SCALE 1:800
0 5 10 15 20 25m



SECTION J
SCALE 1:20
0 0.125 0.25 0.375 0.5 0.625m



DETAIL 7
SCALE 1:40
0 0.25 0.5 0.75 1.0 1.25m



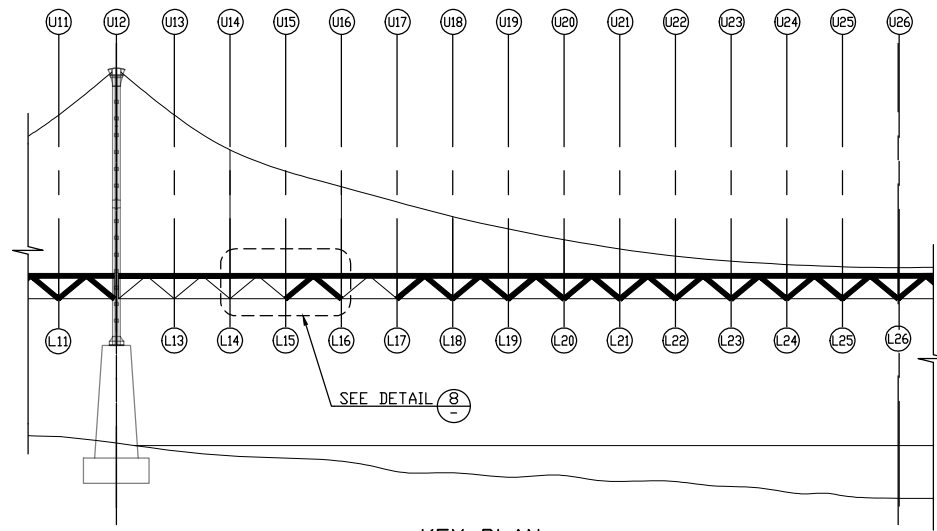
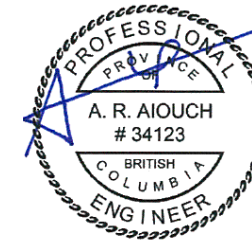
SECTION 4
SCALE 1:40
0 0.25 0.5 0.75 1.0 1.25m

BOLT QUANTITY	
PLATE	QUANTITY *
PL. P	60

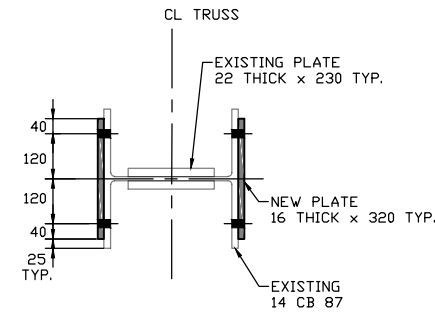
* THE QUANTITY IS GIVEN FOR THIS SPAN ONLY. (SEE KEY PLAN) THE TOTAL BOLT QUANTITY FOR THE BRIDGE IS FOUR TIMES WHAT IS INDICATED ON THIS DRAWING.

NOTES:

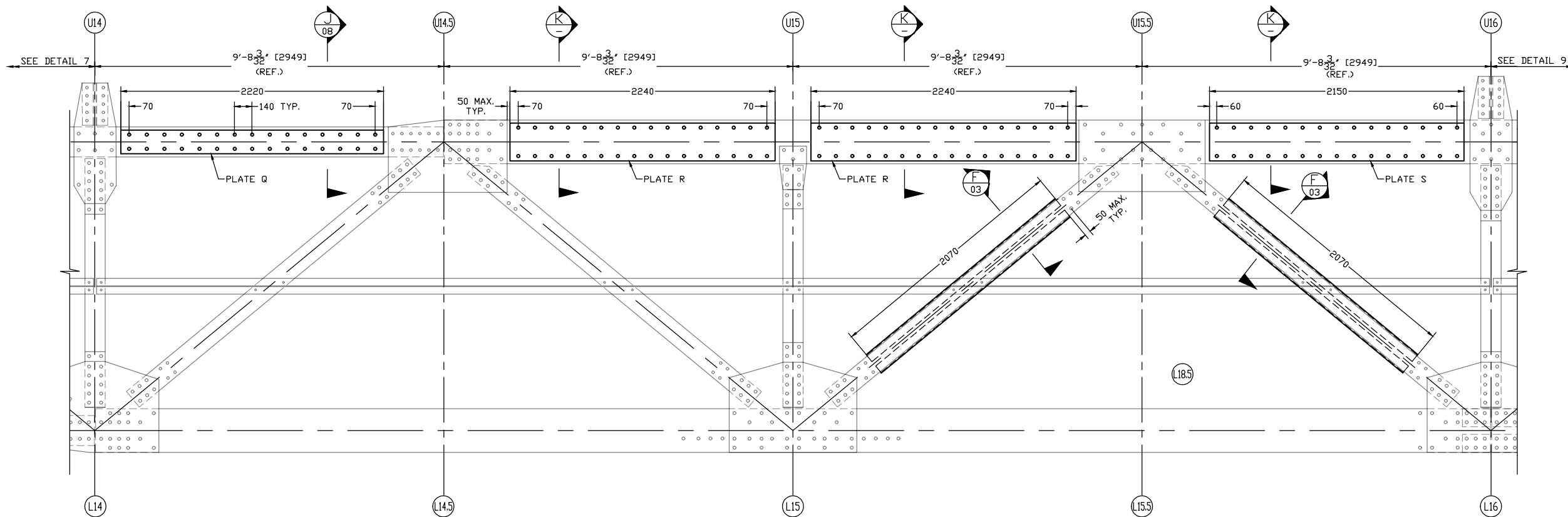
- FOR GENERAL NOTES SEE DRAWING 01.
- FOR PROCEDURE AND NOTES REFER TO DRAWING 02.



KEY PLAN
SCALE 1:800
0 5 10 15 20 25m



SECTION K
SCALE 1:20
0 0.125 0.25 0.375 0.5 0.625m



DETAIL 8
SCALE 1:40
0 0.25 0.5 0.75 1.0 1.25m

BOLT QUANTITY	
PLATE	QUANTITY *
PL. Q	60
PL. R	128
PL. S	60

* THE QUANTITY IS GIVEN FOR THIS SPAN ONLY. (SEE KEY PLAN) THE TOTAL BOLT QUANTITY FOR THE BRIDGE IS FOUR TIMES WHAT IS INDICATED ON THIS DRAWING.

NOTES:

- FOR GENERAL NOTES SEE DRAWING 01.
- FOR PROCEDURE AND NOTES REFER TO DRAWING 02.

LEGEND	
	EXISTING
	NEW ELEMENT
	BOLT

Revision/Revision	Description/Description	Date/Date
5		
4		
3		
2	RE-ISSUED FOR TENDER	20/05/15
1	ISSUED FOR TENDER	20/03/31
0	ISSUED FOR REVIEW	19/10/31

Client/client
PSPC CANADA

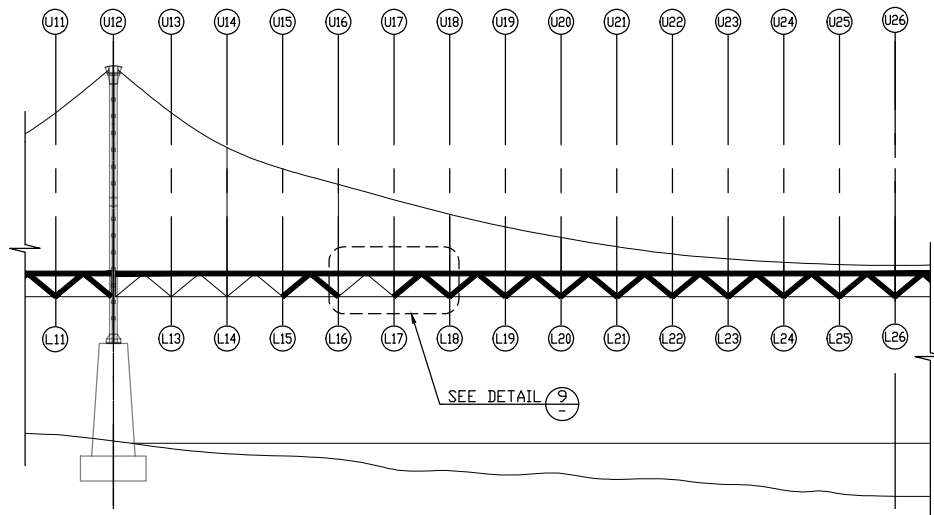


Project title/Titre du projet
LOWER LIARD RIVER BRIDGE STRENGTHENING, KM 763.3, ALASKA HIGHWAY, BC

Consultant Signature Only
Designed by/Concept par
A.KANSAL
Drawn by/Dessiné par
H.RYU / A.BAANG
PWGSC Project Manager/Administrateur de Projets TPSGC
R.AIOUCH
PWGSC, Regional Manager, Architectural and Engineering Services/
Gestionnaire régionale, Services d'architecture et de génie, TPSGC
PWGSC-REG_MGR

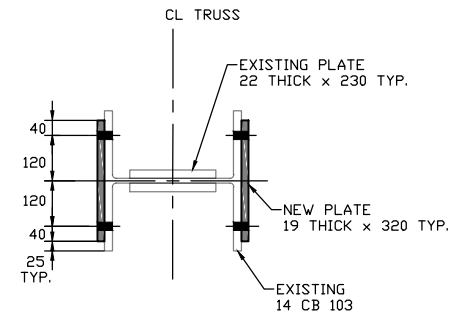
Drawing title/Titre du dessin
SECTION DETAILS FOR STRENGTHENING PART 8 OF 13

Project No./No. du projet	Sheet/Fauille	Revision no./La Révision no.
R.017173.355	09 OF 14	0



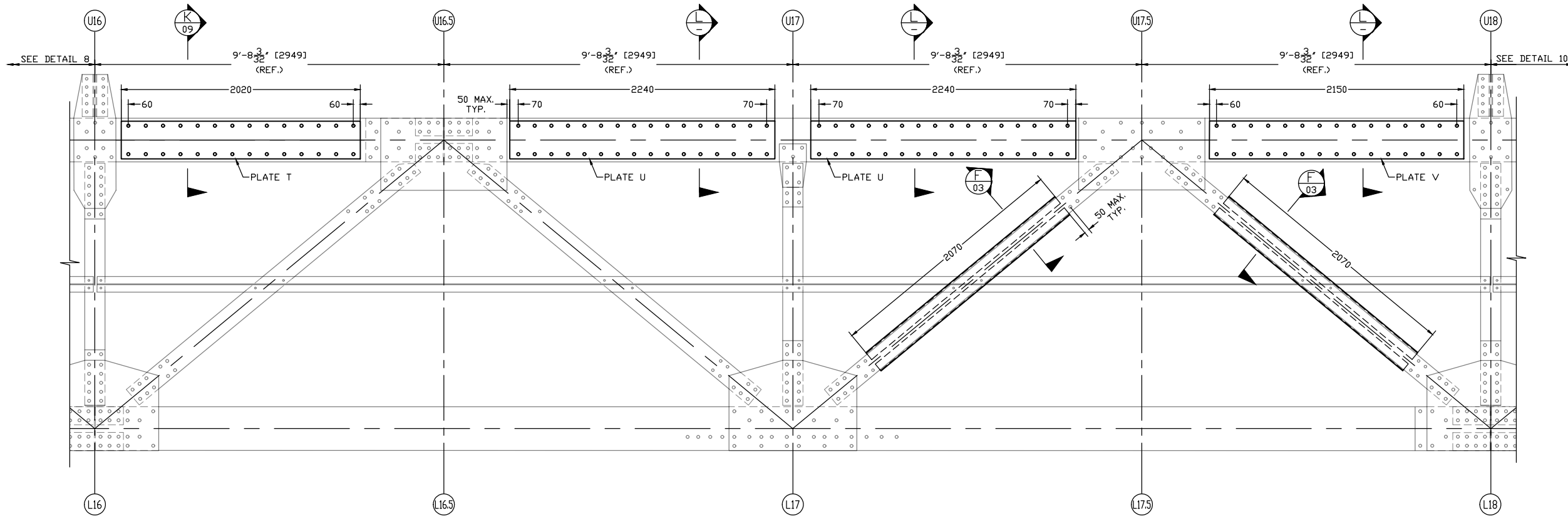
KEY PLAN

SCALE 1:800
0 5 10 15 20 25m



SECTION

SCALE 1:20
0 0.125 0.25 0.375 0.5 0.625m



DETAIL 9

SCALE 1:40
0 0.25 0.5 0.75 1.0 1.25m

BOLT QUANTITY	
PLATE	QUANTITY *
PL. T	56
PL. U	128
PL. V	60

* THE QUANTITY IS GIVEN FOR THIS SPAN ONLY. (SEE KEY PLAN) THE TOTAL BOLT QUANTITY FOR THE BRIDGE IS FOUR TIMES WHAT IS INDICATED ON THIS DRAWING.

NOTES:

- FOR GENERAL NOTES SEE DRAWING 01.
- FOR PROCEDURE AND NOTES REFER TO DRAWING 02.

LEGEND	
	EXISTING
	NEW ELEMENT
	BOLT

Revision/Revision	Description/Description	Date/Date
5		
4		
3		
2	RE-ISSUED FOR TENDER	20/05/15
1	ISSUED FOR TENDER	20/03/31
0	ISSUED FOR REVIEW	19/10/31

Client/client
PSPC CANADA

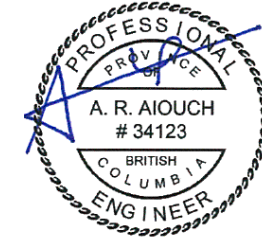


Project title/Titre du projet
LOWER LIARD RIVER BRIDGE STRENGTHENING, KM 763.3, ALASKA HIGHWAY, BC

Consultant Signature Only
Designed by/Concept par
A.KANSAL
Drawn by/Dessiné par
H.RYU / A.BAANG
PWGSC Project Manager/Administrateur de Projets TPSGC
R.AIOUCH
PWGSC, Regional Manager, Architectural and Engineering Services/
Gestionnaire régionale, Services d'architecture et de génie, TPSGC
PWGSC-REG_MGR

Drawing title/Titre du dessin
SECTION DETAILS FOR STRENGTHENING PART 9 OF 13

Project No./No. du projet	Sheet/Fauille	Revision no./La Révision no.
R.017173.355	10 OF 14	0



LEGEND	
	EXISTING
	NEW ELEMENT
	BDLT

Revision/Revision	Description/Description	Date/Date
5		
4		
3		
2	RE-ISSUED FOR TENDER	20/05/15
1	ISSUED FOR TENDER	20/03/31
0	ISSUED FOR REVIEW	19/10/31

Client/client: **PSPC CANADA**



Project title/Titre du projet: **LOWER LIARD RIVER BRIDGE STRENGTHENING, KM 763.3, ALASKA HIGHWAY, BC**

Consultant Signature Only

Designed by/Concept par: **A.KANSAL**

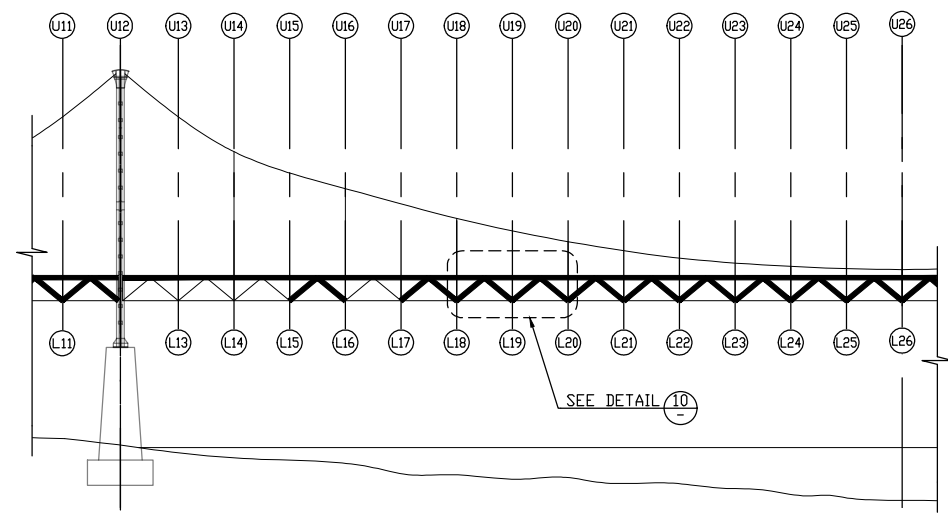
Drawn by/Dessiné par: **H.RYU / A.BAANG**

PWGSC Project Manager/Administrateur de Projets TPSGC: **R.AIOUCH**

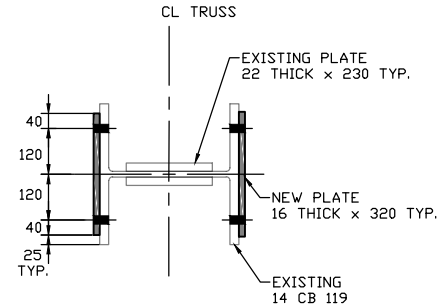
PWGSC, Regional Manager, Architectural and Engineering Services/Gestionnaire régionale, Services d'architecture et de génie, TPSGC: **PWGSC-REG_MGR**

Drawing title/Titre du dessin: **SECTION DETAILS FOR STRENGTHENING PART 10 OF 13**

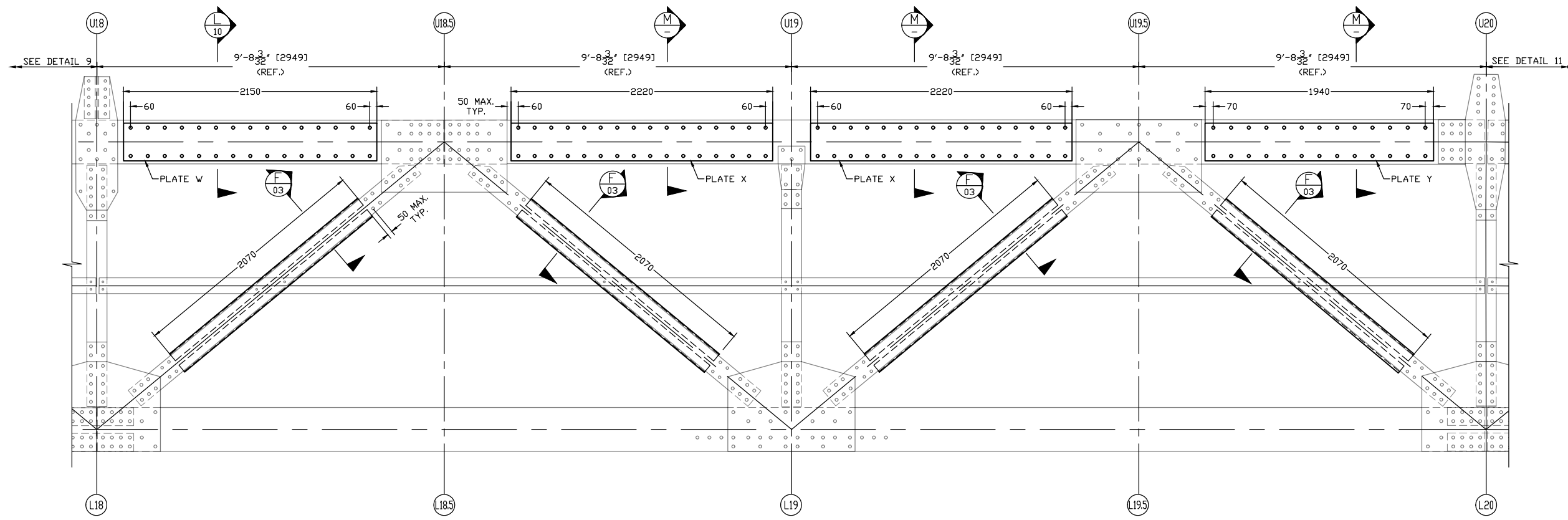
Project No./No. du projet	Sheet/Fauille	Revision no./La Révision no.
R.017173.355	11 OF 14	0



KEY PLAN
SCALE 1:800
0 5 10 15 20 25m



SECTION M
SCALE 1:20
0 0.125 0.25 0.375 0.5 0.625m



DETAIL 10
SCALE 1:40
0 0.25 0.5 0.75 1.0 1.25m

BDLT QUANTITY	
PLATE	QUANTITY *
PL. W	60
PL. X	128
PL. Y	52

* THE QUANTITY IS GIVEN FOR THIS SPAN ONLY. (SEE KEY PLAN). THE TOTAL BDLT QUANTITY FOR THE BRIDGE IS FOUR TIMES WHAT IS INDICATED ON THIS DRAWING.

- NOTES:**
- FOR GENERAL NOTES SEE DRAWING 01.
 - FOR PROCEDURE AND NOTES REFER TO DRAWING 02.



LEGEND	
	EXISTING
	NEW ELEMENT
	BOLT

Revision/Édition	Description/Description	Date/Date
5		
4		
3		
2	RE-ISSUED FOR TENDER	20/05/15
1	ISSUED FOR TENDER	20/03/31
0	ISSUED FOR REVIEW	19/10/31

Client/client: **PSPC CANADA**

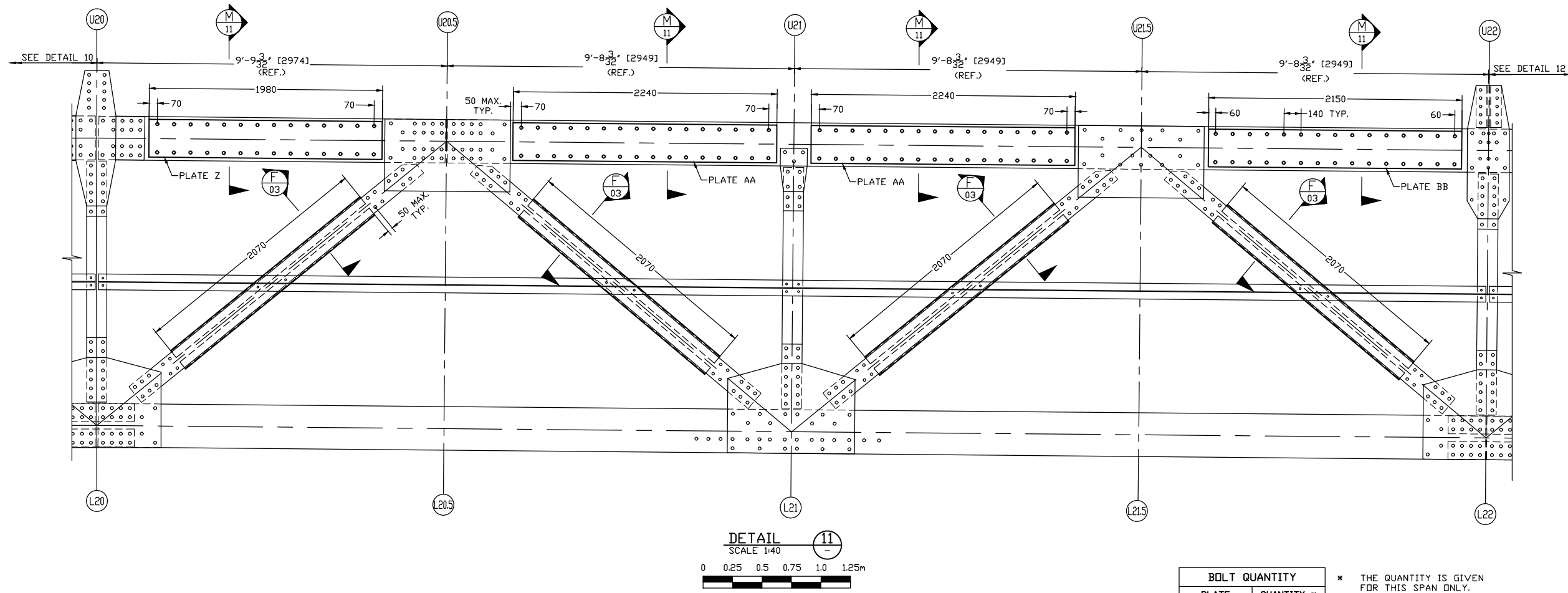
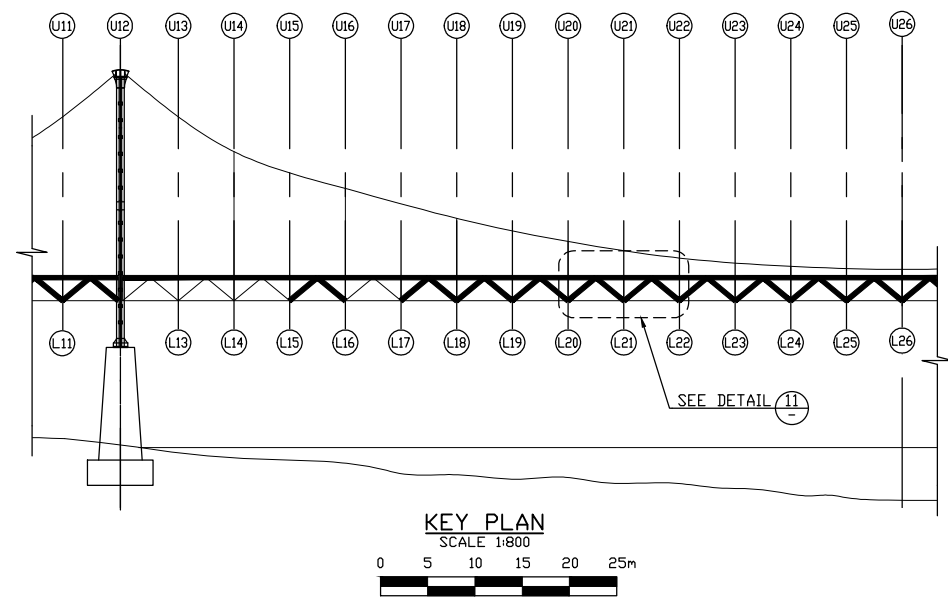


Project title/Titre du projet: **LOWER LIARD RIVER BRIDGE STRENGTHENING, KM 763.3, ALASKA HIGHWAY, BC**

Consultant Signature Only
 Designed by/Concept par: **A.KANSAL**
 Drawn by/Dessiné par: **H.RYU / A.BAANG**
 PWGSC Project Manager/Administrateur de Projets TPSGC: **R.AIOUCH**
 PWGSC, Regional Manager, Architectural and Engineering Services/Gestionnaire régionale, Services d'architecture et de génie, TPSGC: **PWGSC-REG_MGR**

Drawing title/Titre du dessin: **SECTION DETAILS FOR STRENGTHENING PART 11 OF 13**

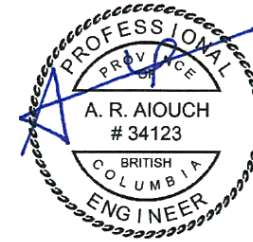
Project No./No. du projet	Sheet/Fauille	Revision no./La Révision no.
R.017173.355	12 OF 14	0



BOLT QUANTITY	
PLATE	QUANTITY *
PL. Z	56
PL. AA	128
PL. BB	60

* THE QUANTITY IS GIVEN FOR THIS SPAN ONLY. (SEE KEY PLAN) THE TOTAL BOLT QUANTITY FOR THE BRIDGE IS FOUR TIMES WHAT IS INDICATED ON THIS DRAWING.

- NOTES:**
- FOR GENERAL NOTES SEE DRAWING 01.
 - FOR PROCEDURE AND NOTES REFER TO DRAWING 02.



LEGEND	
	EXISTING
	NEW ELEMENT
	BOLT

Revision/Revision	Description/Description	Date/Date
5		
4		
3		
2	RE-ISSUED FOR TENDER	20/05/15
1	ISSUED FOR TENDER	20/03/31
0	ISSUED FOR REVIEW	19/10/31

Client/client
PSPC CANADA

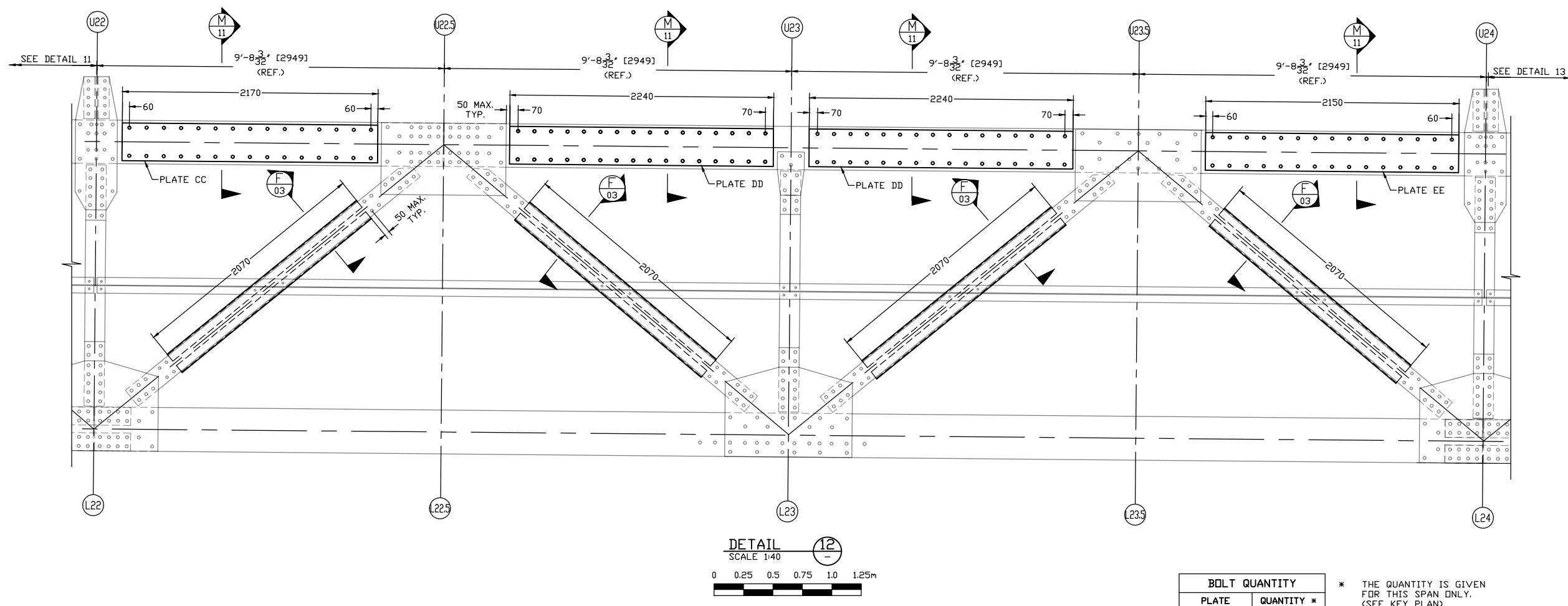
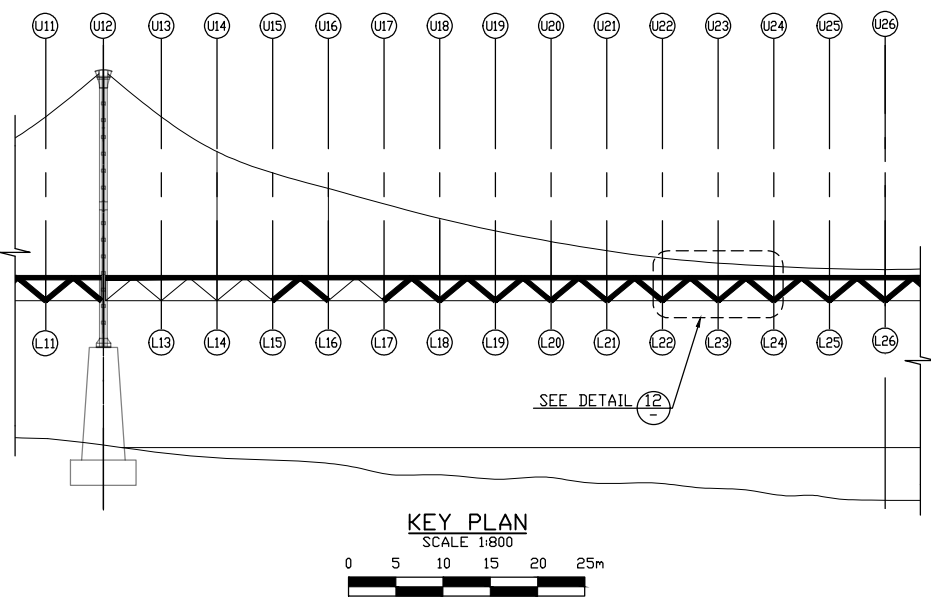


Project title/Titre du projet
LOWER LIARD RIVER BRIDGE STRENGTHENING, KM 763.3, ALASKA HIGHWAY, BC

Consultant Signature Only
Designed by/Concept par: A.KANSAL
Drawn by/Dessiné par: H.RYU / A.BAANG
PWGSC Project Manager/Administrateur de Projets TPSGC: R.AIOUCH
PWGSC, Regional Manager, Architectural and Engineering Services/Gestionnaire régionale, Services d'architecture et de génie, TPSGC: PWGSC-REG_MGR

Drawing title/Titre du dessin
SECTION DETAILS FOR STRENGTHENING PART 12 OF 13

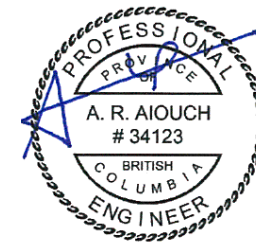
Project No./No. du projet	Sheet/Fauille	Revision no./La Révision no.
R.017173.355	13 OF 14	0



BOLT QUANTITY	
PLATE	QUANTITY *
PL. CC	60
PL. DD	128
PL. EE	60

* THE QUANTITY IS GIVEN FOR THIS SPAN ONLY. (SEE KEY PLAN) THE TOTAL BOLT QUANTITY FOR THE BRIDGE IS FOUR TIMES WHAT IS INDICATED ON THIS DRAWING.

- NOTES:**
- FOR GENERAL NOTES SEE DRAWING 01.
 - FOR PROCEDURE AND NOTES REFER TO DRAWING 02.



LEGEND	
	EXISTING
	NEW ELEMENT
	BDLT

Revision/Revision	Description/Description	Date/Date
5		
4		
3		
2	RE-ISSUED FOR TENDER	20/05/15
1	ISSUED FOR TENDER	20/03/31
0	ISSUED FOR REVIEW	19/10/31

Client/client
PSPC CANADA

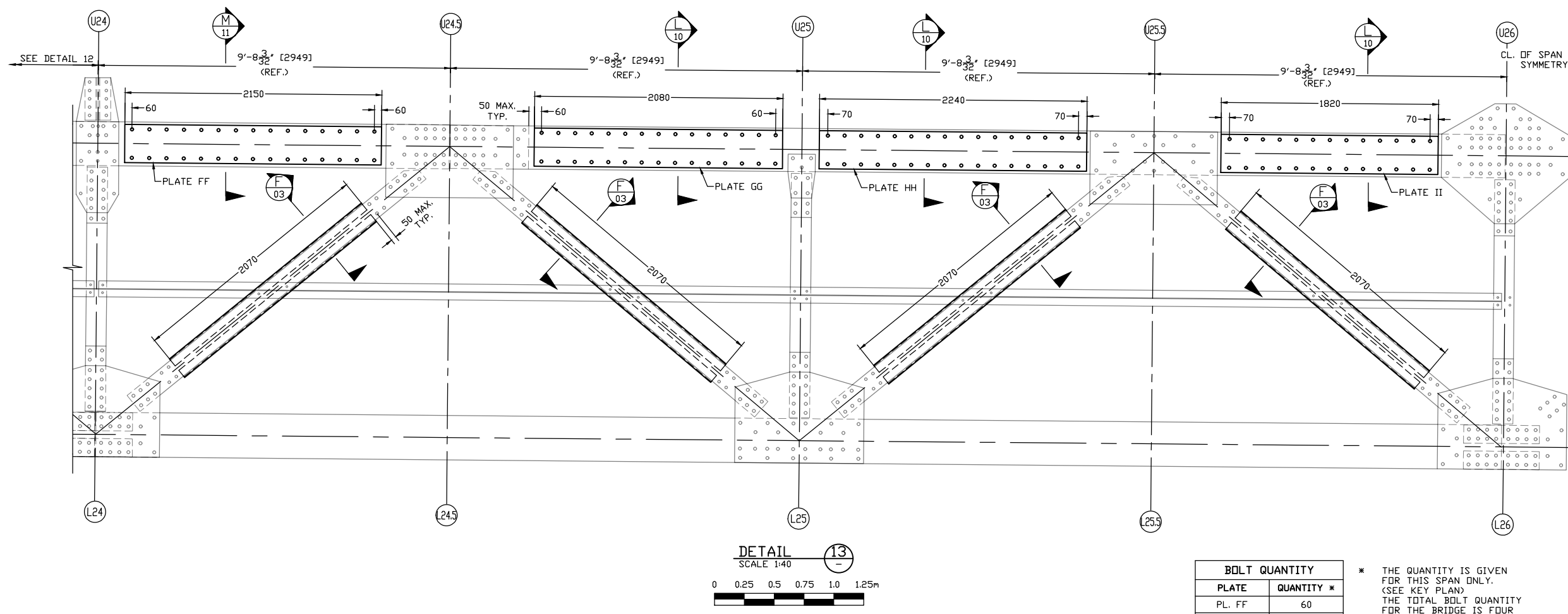
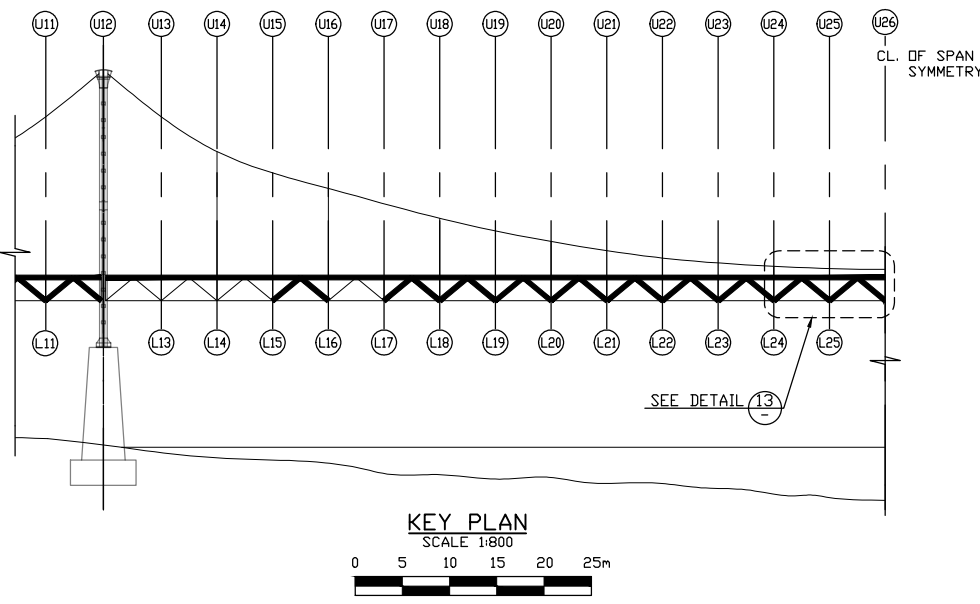


Project title/Titre du projet
LOWER LIARD RIVER BRIDGE STRENGTHENING, KM 763.3, ALASKA HIGHWAY, BC

Consultant Signature Only
Designed by/Concept par: A.KANSAL
Drawn by/Dessiné par: H.RYU / A.BAANG
PWGSC Project Manager/Administrateur de Projets TPSGC: R.AIOUCH
PWGSC, Regional Manager, Architectural and Engineering Services/Gestionnaire régionale, Services d'architecture et de génie, TPSGC: PWGSC-REG_MGR

Drawing title/Titre du dessin
SECTION DETAILS FOR STRENGTHENING PART 13 OF 13

Project No./No. du projet	Sheet/Fauille	Revision no./La Révision no.
R.017173.355	14 OF 14	0



BDLT QUANTITY	
PLATE	QUANTITY *
PL. FF	60
PL. GG	60
PL. HH	64
PL. II	52

* THE QUANTITY IS GIVEN FOR THIS SPAN ONLY. (SEE KEY PLAN) THE TOTAL BDLT QUANTITY FOR THE BRIDGE IS FOUR TIMES WHAT IS INDICATED ON THIS DRAWING.

- NOTES:**
- FOR GENERAL NOTES SEE DRAWING 01.
 - FOR PROCEDURE AND NOTES REFER TO DRAWING 02.