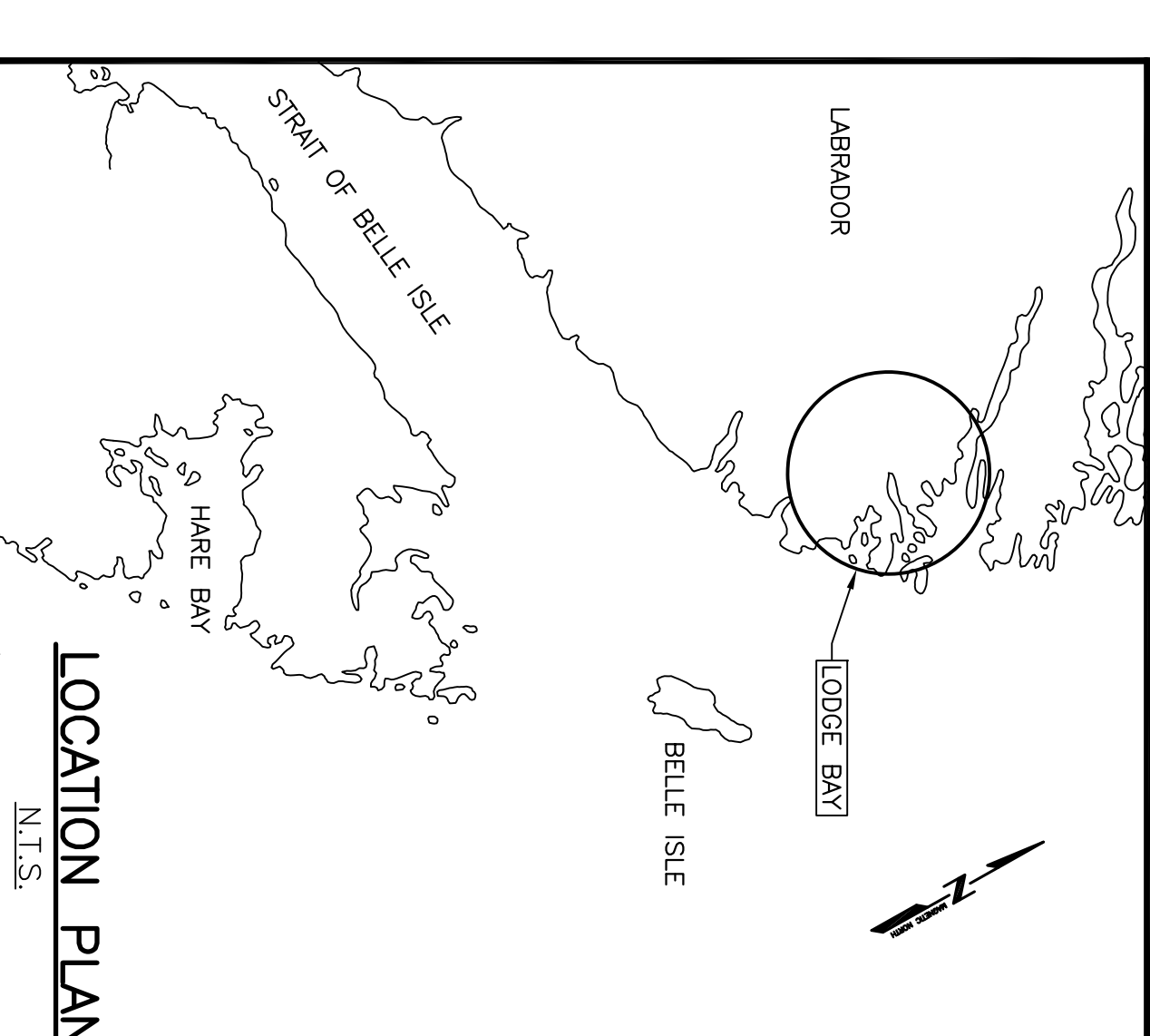
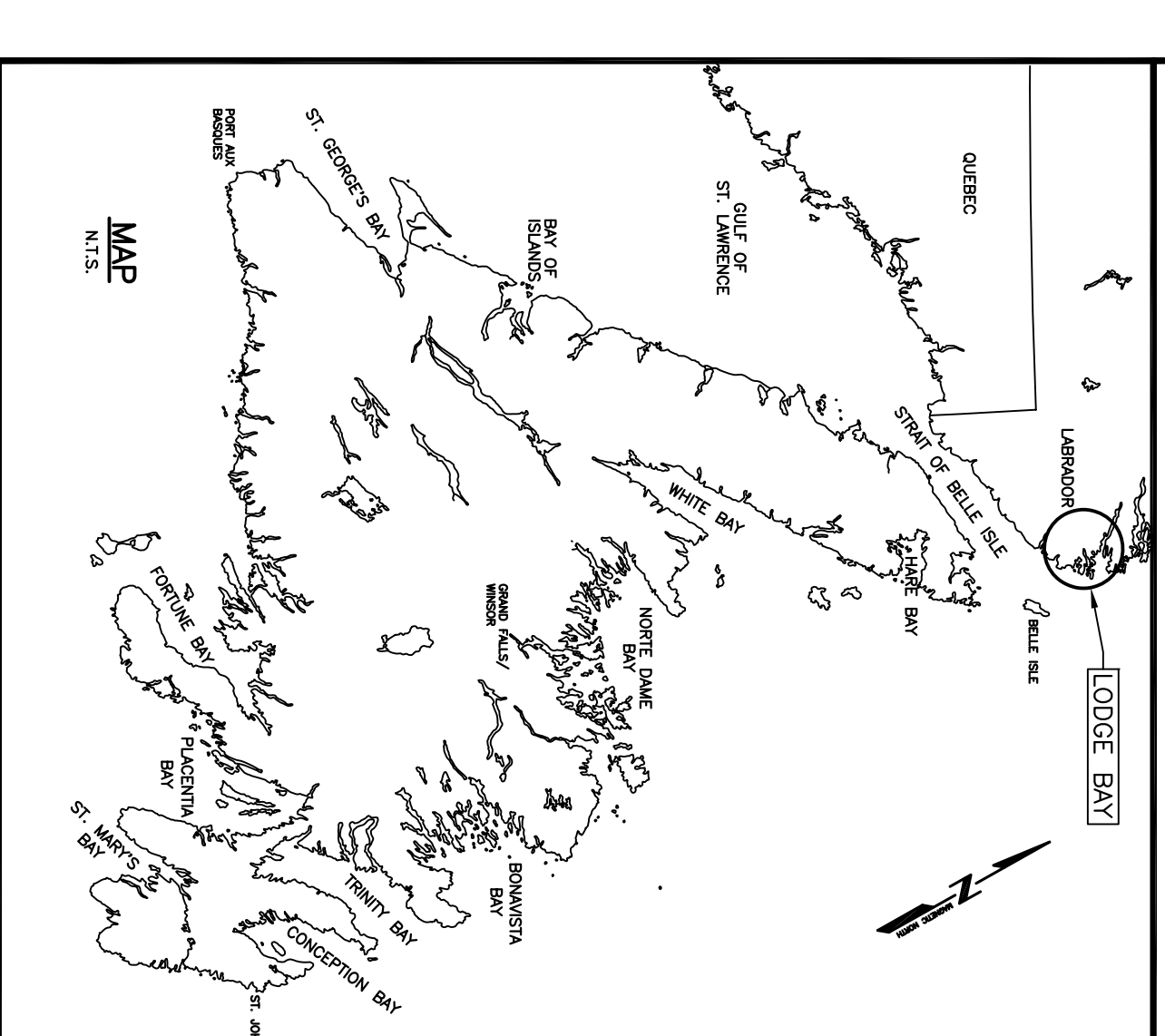


FISHERIES AND OCEANS  
CANADA



HARBOUR DEVELOPMENT  
LODGE BAY  
NEWFOUNDLAND AND LABRADOR

PROJECT No. 722353  
ISSUED FOR TENDER

LIST OF DRAWINGS:

- C1 OF 10 SOUNDING AND TOPOGRAPHIC SURVEY
- C2 OF 10 DEMOLITION AND DREDGING PLAN
- C3 OF 10 NEW SITE PLAN
- C4 OF 10 FLOATING DOCK SUPPORT CRIB
- C5 OF 10 ANCHORS FOR FLOATING DOCKS
- C6 OF 10 FLOATING DOCKS PLANS, ELEVATIONS AND DETAILS
- C7 OF 10 FLOATING DOCKS PLANS, ELEVATIONS AND DETAILS
- C8 OF 10 GANGWAY DETAILS
- C9 OF 10 FLOATING DOCK DETAILS
- C10 OF 10 SECTIONS – GRAVEL LAUNCH AND UPLANDS



**Small Craft Harbours**

Provincial logo for Small Craft Harbours.

NOTES:  
 1. ALL ELEVATIONS ARE IN METRES  
 UNLESS OTHERWISE NOTED.  
 2. ALL DIMENSIONS ARE IN MILLIMETRES  
 UNLESS OTHERWISE NOTED.

**PROVINCE OF NEWFOUNDLAND**

**PERMIT HOLDER**

**APN ENGINEERING INC.**

Registered Professional Engineer  
 Permit No. as issued by APN, 2020E2  
 which is valid for the year 2020.

**REGISTERED PROFESSIONAL ENGINEER**

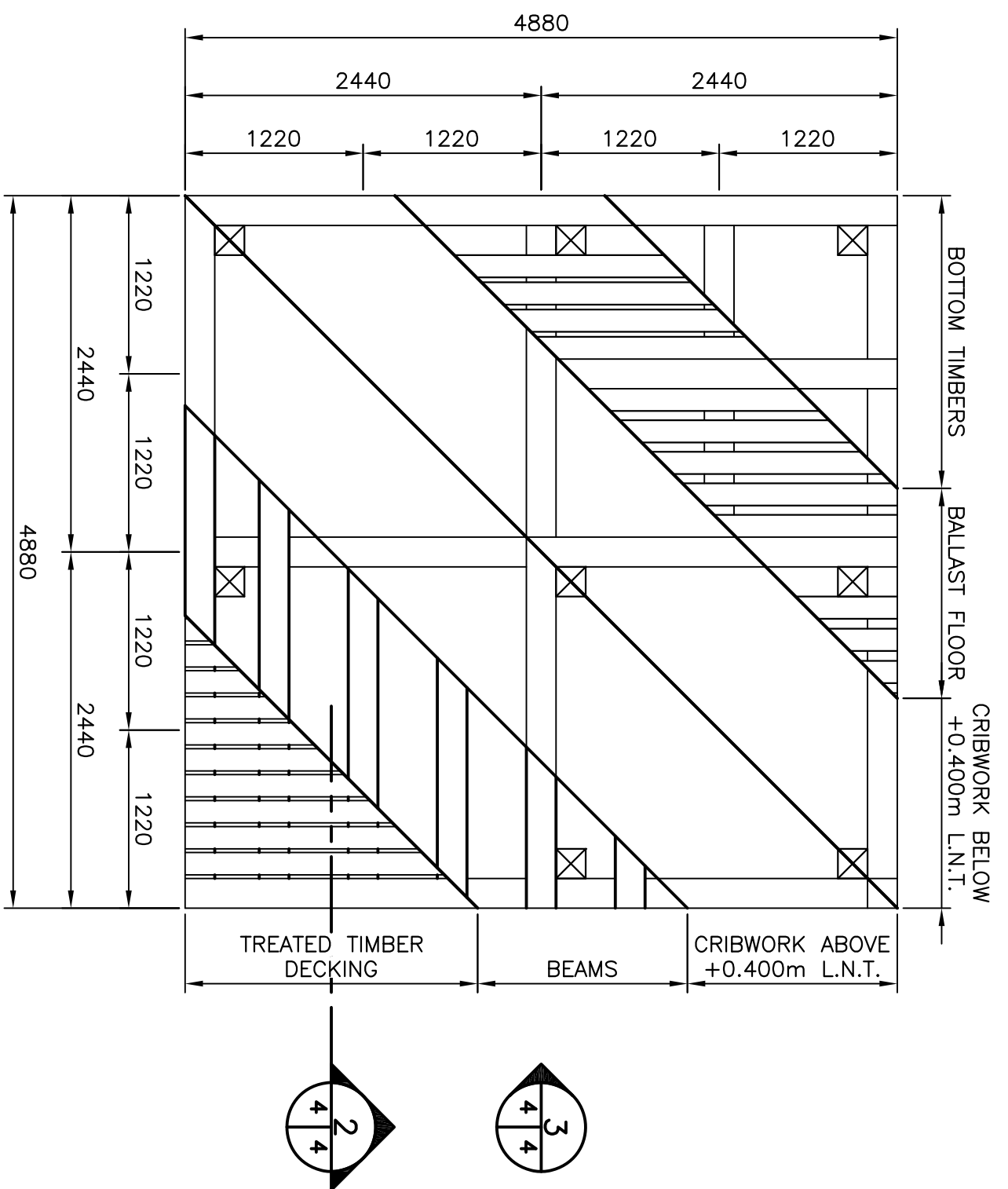
**MILLIE C. HUNT**

PROVINCE OF NEWFOUNDLAND  
 REGISTRATION NO. 2001E001  
 EXPIRES 2025

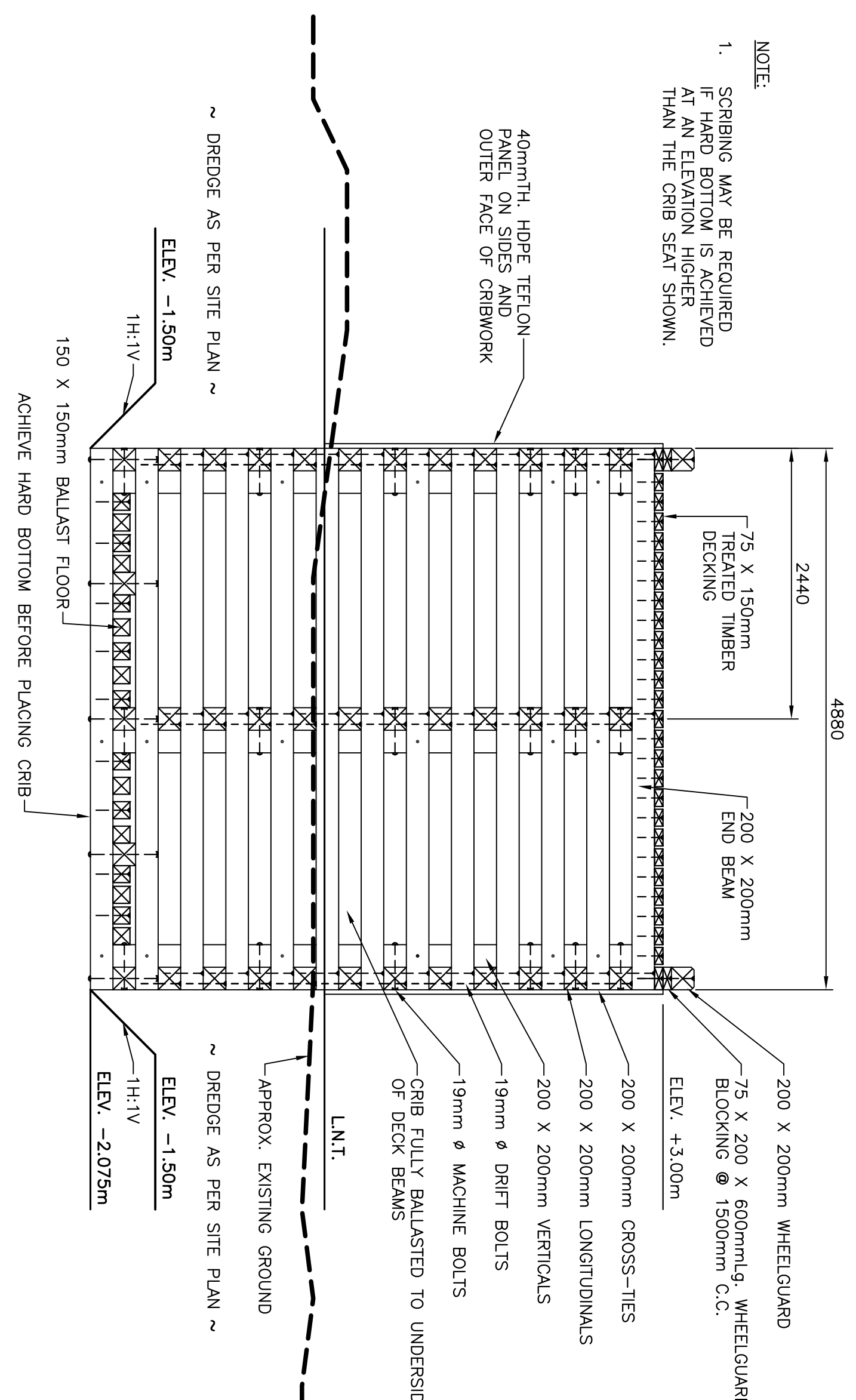
Project	HARBOUR DEVELOPMENT	
Location	LODGE BAY, NL	
Project No.	722353	
Drawn	P.H.	date MAY 26, 2020
Checked		
Approved		
Client	SOUNDING AND TOPOGRAPHIC SURVEY	
Scale	SCALE: 1:250	
Sheet No.	C1	



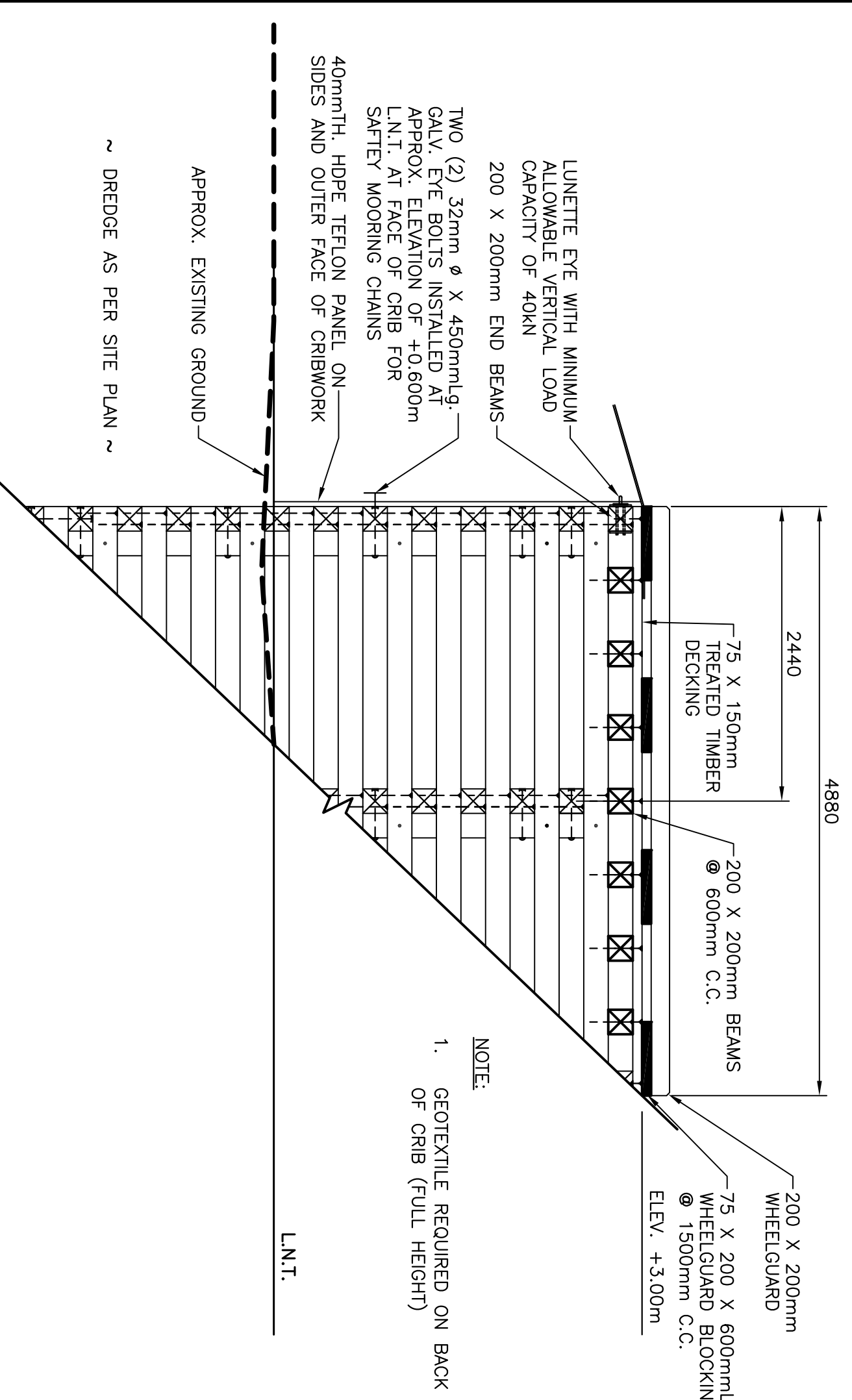




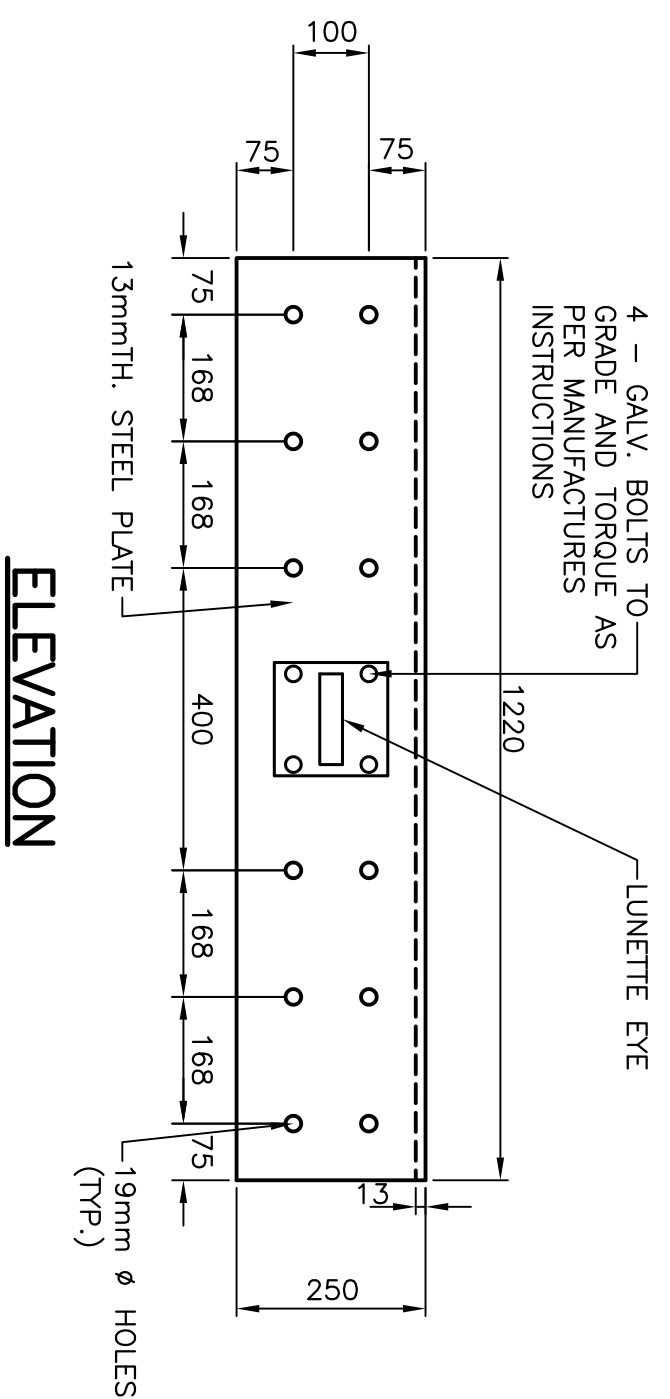
PLAN - TYP.  
SCALE: 1:40



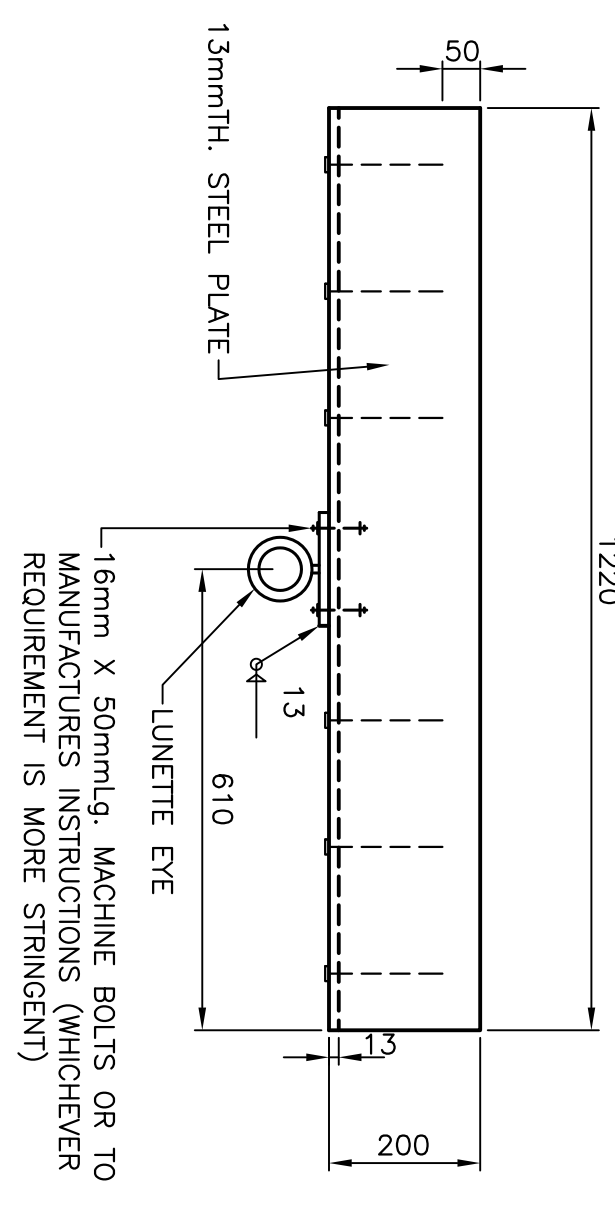
SECTION - TYP.  
SCALE: 1:40



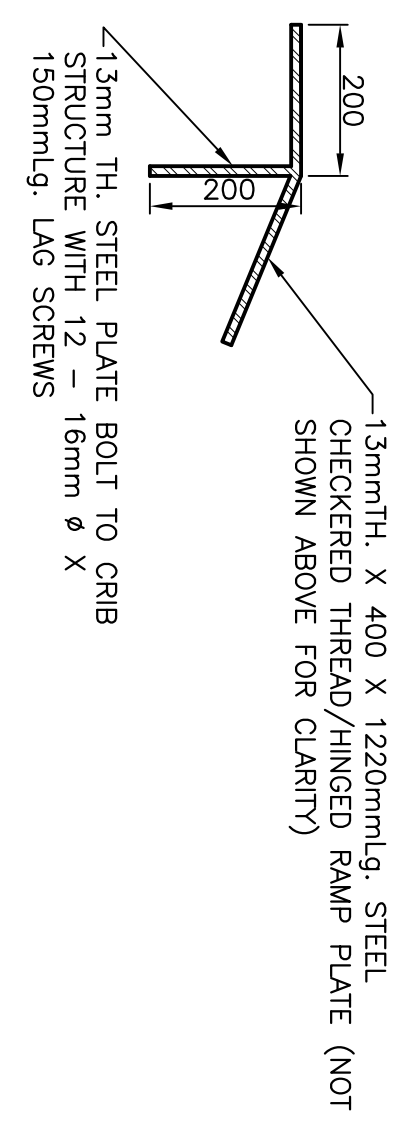
ELEVATION - TYP.  
SCALE: 1:40



ELEVATION  
SCALE: 1:40



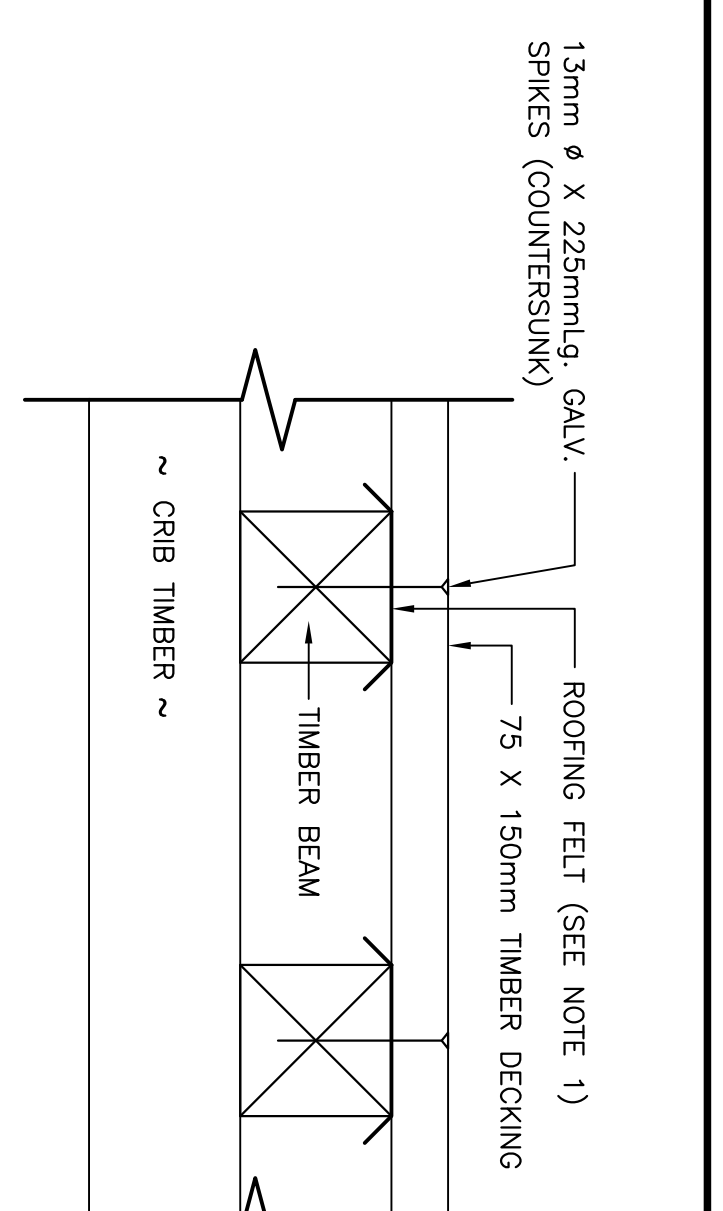
TOP VIEW  
SCALE: 1:10



SECTION  
SCALE: 1:10

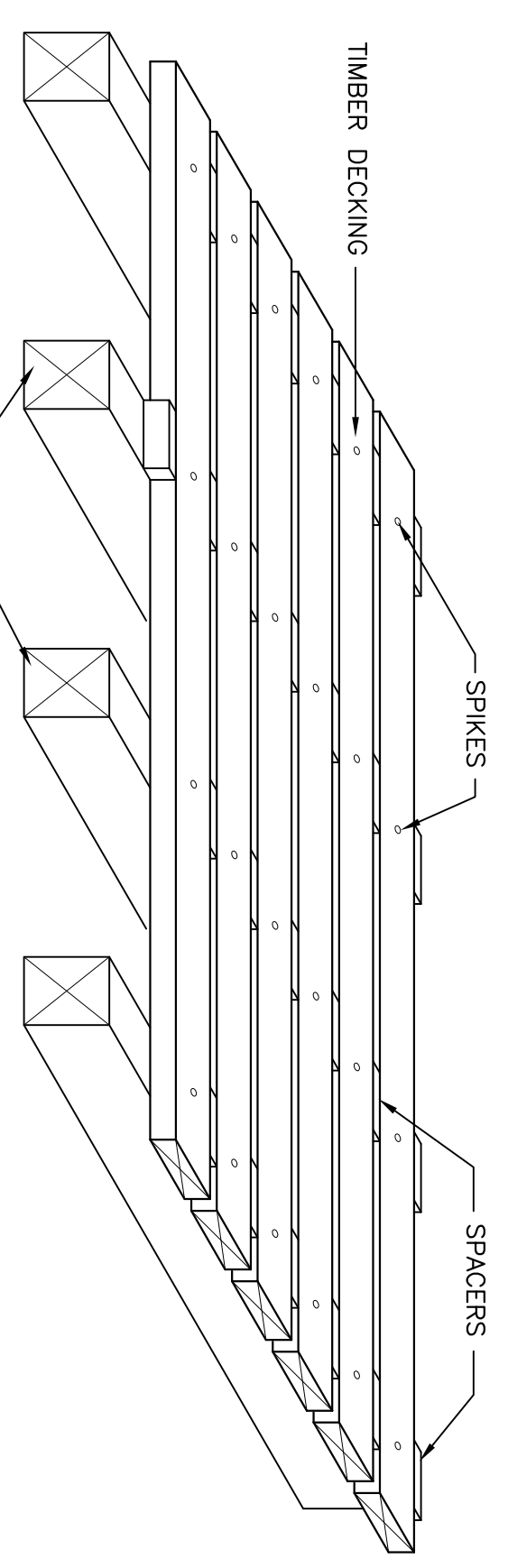
CONNECTION PLATE - OUTSIDE FACE OF CRIB  
SCALE: 1:10

GANGWAY CONNECTION DETAIL  
SCALE: 1:40

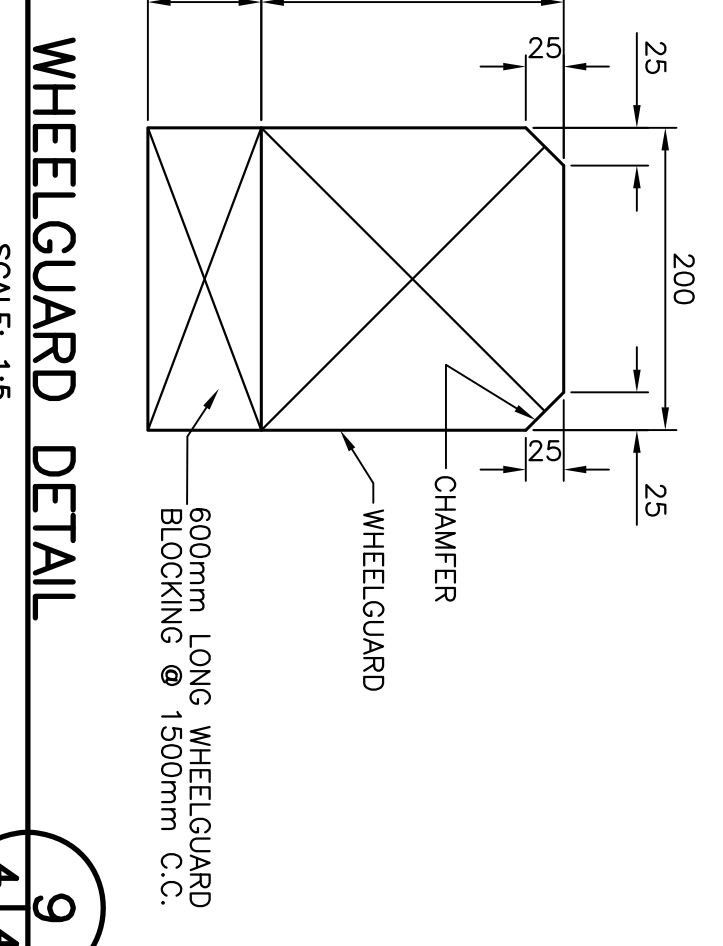


DECK DETAIL  
SCALE: 1:10

NOTE:  
1. DECKING TO BE IN ONE COMPLETE LENGTH FOR ENTIRE WIDTH OF CRIB. ONE (1) SINGLE NAIL IN CENTER BEAMS, TWO (2) DOUBLE NAILS AT EXTERIOR BEAMS.

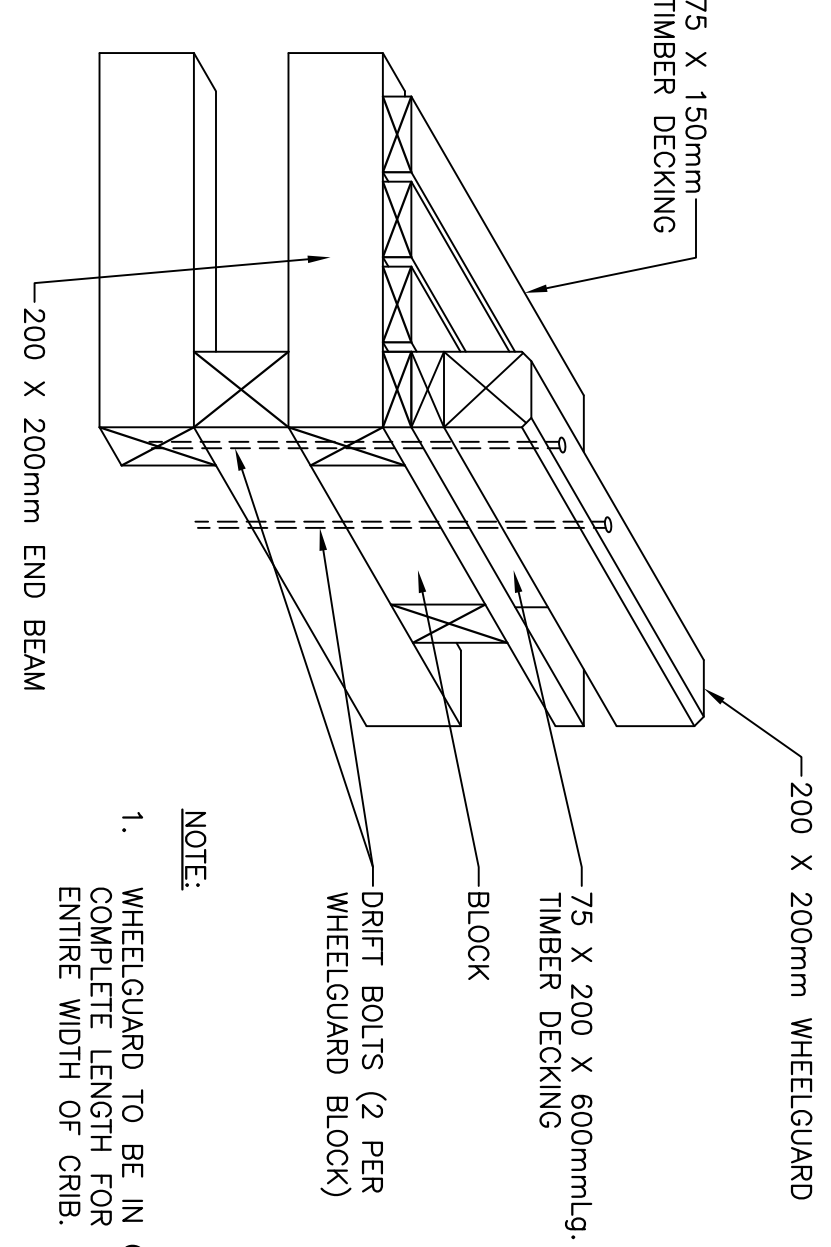


TIMBER DECK NAILING DETAIL  
SCALE: N.T.S.

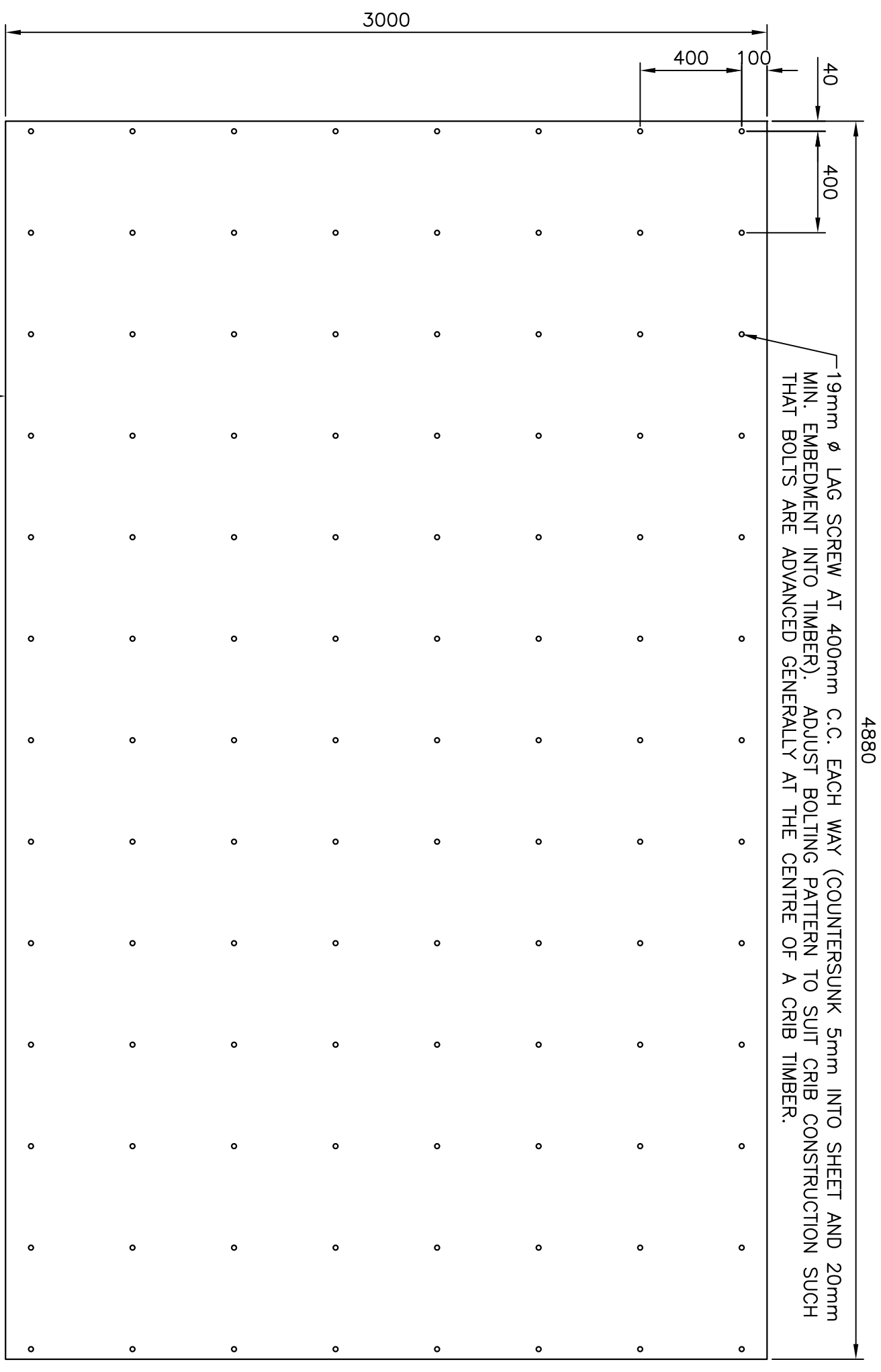


WHEELGUARD DETAIL  
SCALE: 1:5

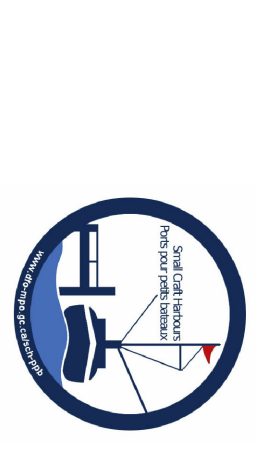
WHEELGUARD ON TIMBER DECK  
SCALE: N.T.S.



WHEELGUARD ON TIMBER DECK  
SCALE: N.T.S.

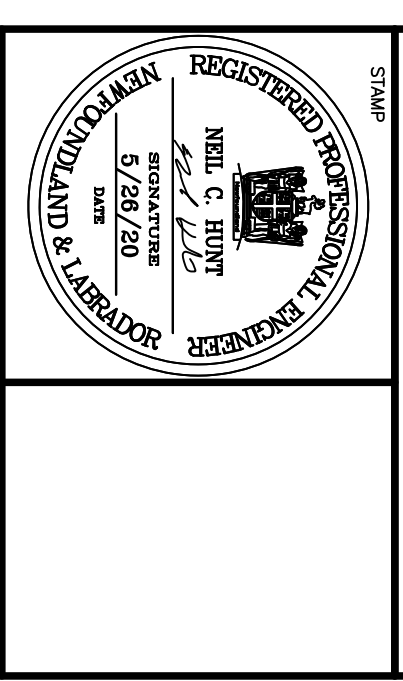


TEFLON PANEL BOLTING PATTERN  
SCALE: 1:20



NOTES:  
1. ALL ELEVATIONS ARE IN METRES UNLESS OTHERWISE NOTED.  
2. ALL DIMENSIONS ARE IN MILLIMETRES UNLESS OTHERWISE NOTED.

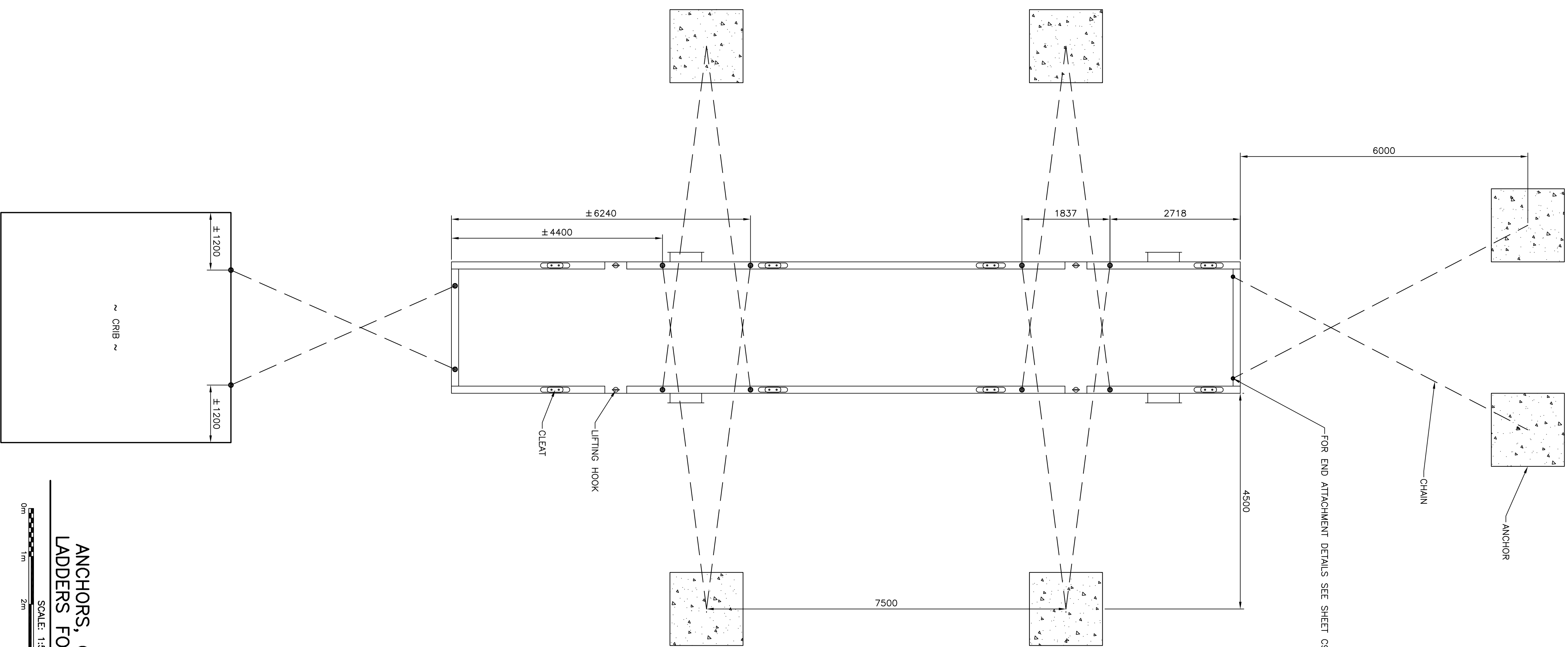
PROVINCE OF NEWFOUNDLAND  
PERMIT HOLDER  
This Permit Allows  
APN ENGINEERING INC.



no.	description	date
B	ISSUED FOR TENDER	5/28/20
A	ISSUED FOR REVIEW	10/15/19

HARBOUR DEVELOPMENT  
LODGE BAY, NL  
FLOATING DOCK  
SUPPORT CRIB

designed N.H.  
date MAY 26, 2020  
drawn P.H.  
date MAY 26, 2020  
checked  
approved  
BID Project Manager  
Project number 722353  
drawing no. C4

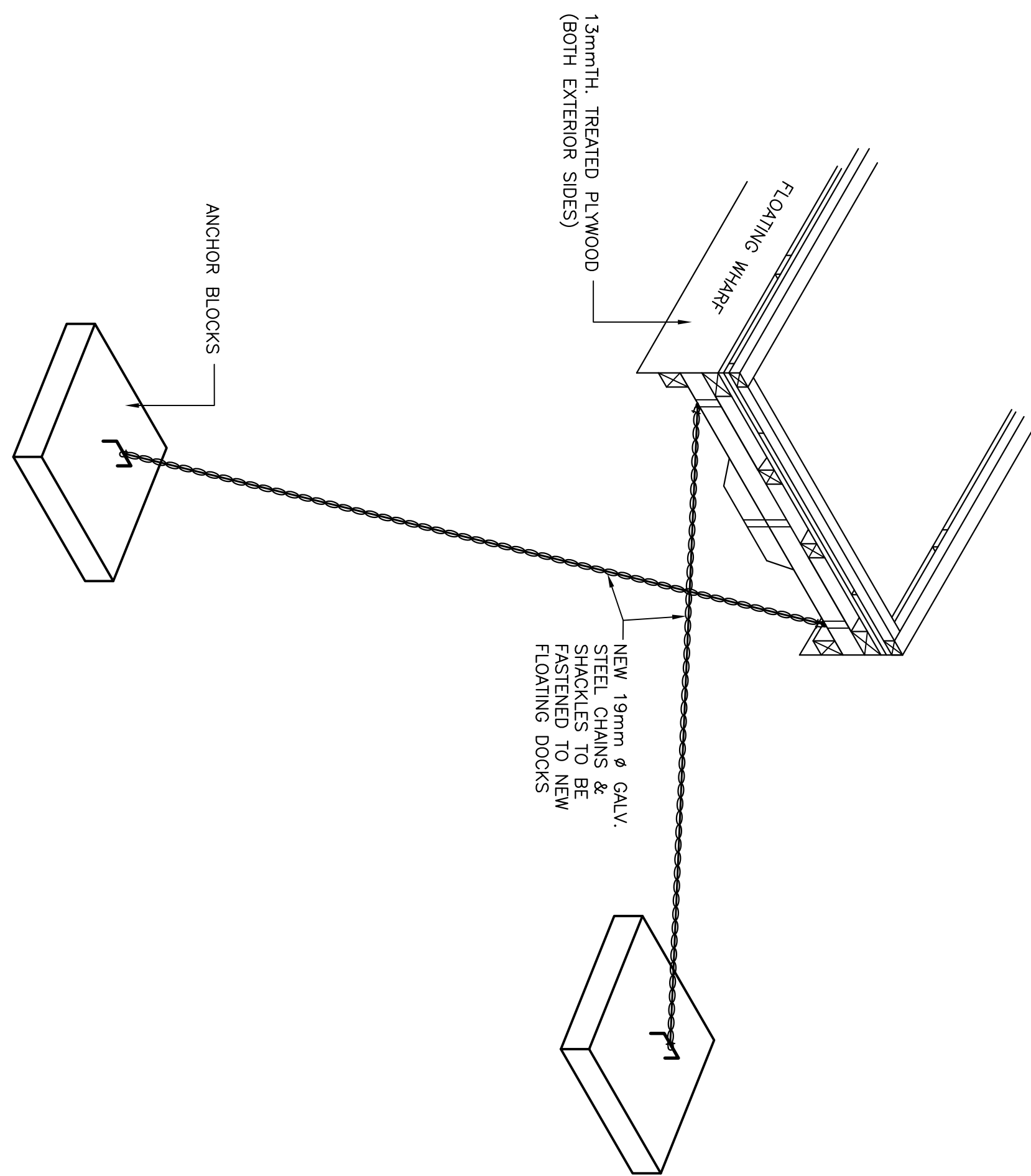


ANCHORS, CLEATS,  
LADDERS FOR DOCK

SCALE: 1:50



1  
5

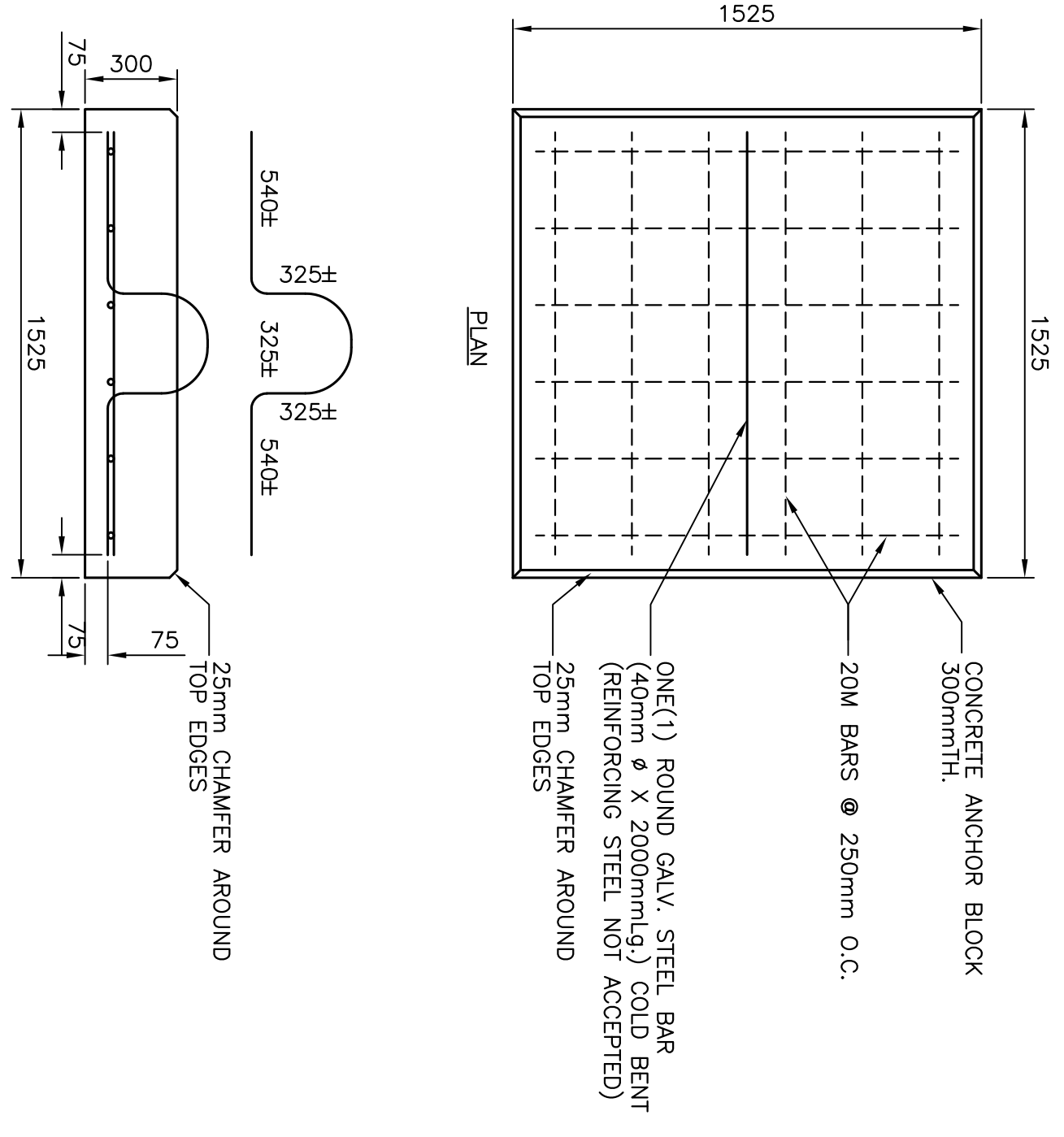


ANCHOR BLOCK FASTENING DETAIL

SCALE: 1:50



2  
5

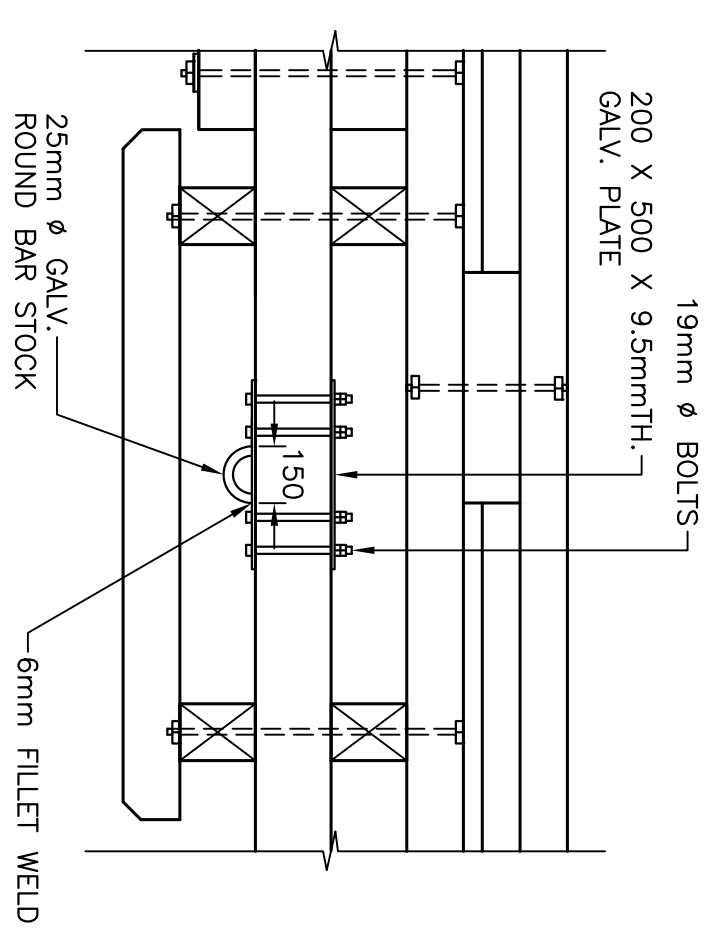


CONCRETE ANCHOR BLOCK

SCALE: 1:20



3  
5



CHAIN CONNECTION ON SIDES

SCALE: N.T.S.

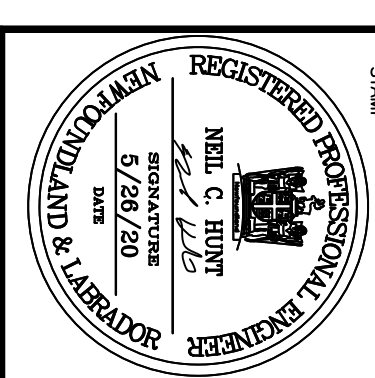
4  
5



- NOTES:
1. ALL ELEVATIONS ARE IN METRES UNLESS OTHERWISE NOTED.
  2. ALL DIMENSIONS ARE IN MILLIMETRES UNLESS OTHERWISE NOTED.

PROVINCE OF NEWFOUNDLAND  
PERMIT HOLDER  
This Permit Allows  
APN ENGINEERING INC.

Registered Professional Engineer  
Neil C. Miller  
Permit No. as issued by APROSOL 70282  
which is valid for the year 2020

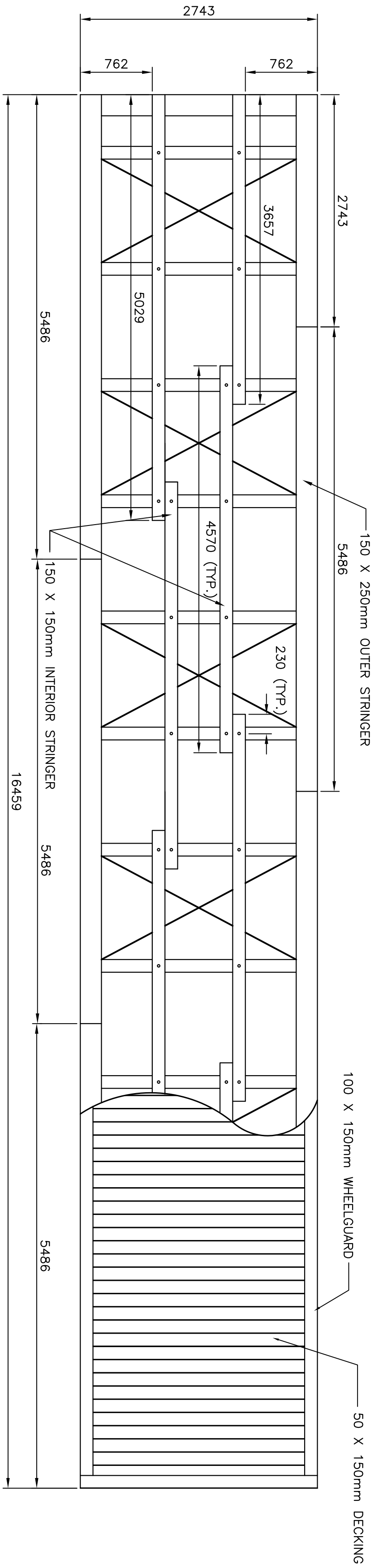


no.	description	date
B	ISSUED FOR TENDER	5/28/20
A	ISSUED FOR REVIEW	10/15/19

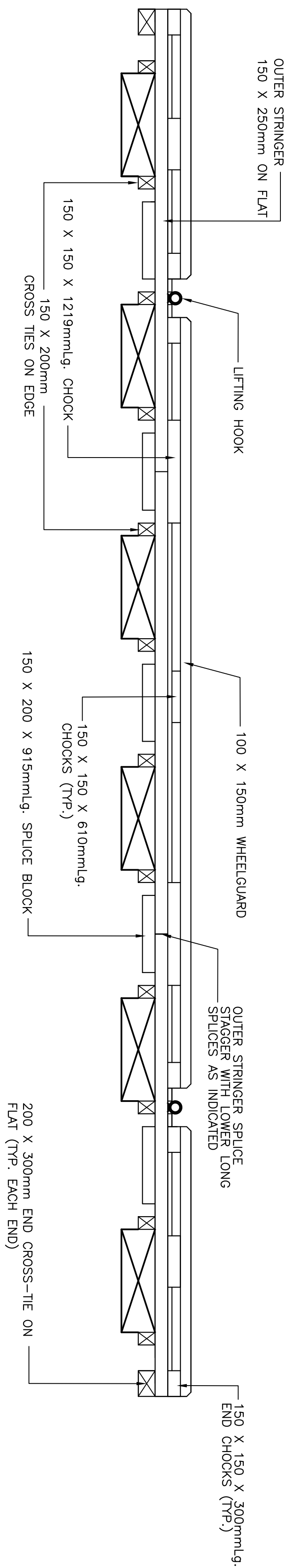
project HARBOUR DEVELOPMENT  
LODGE BAY, NL

drawing ANCHORS FOR  
FLOATING DOCKS

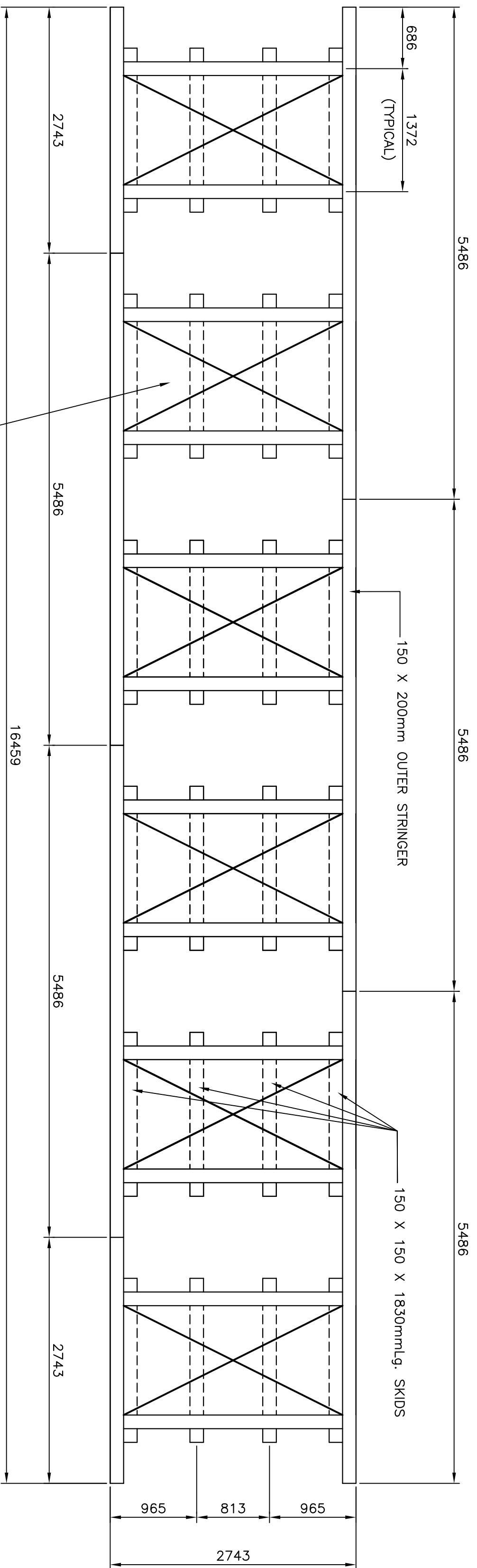
designed N.H.	checked
date MAY 26, 2020	
drawn P.H.	designed
date MAY 26, 2020	approved
approved	
no. du projet 722353	no. du dessin CS



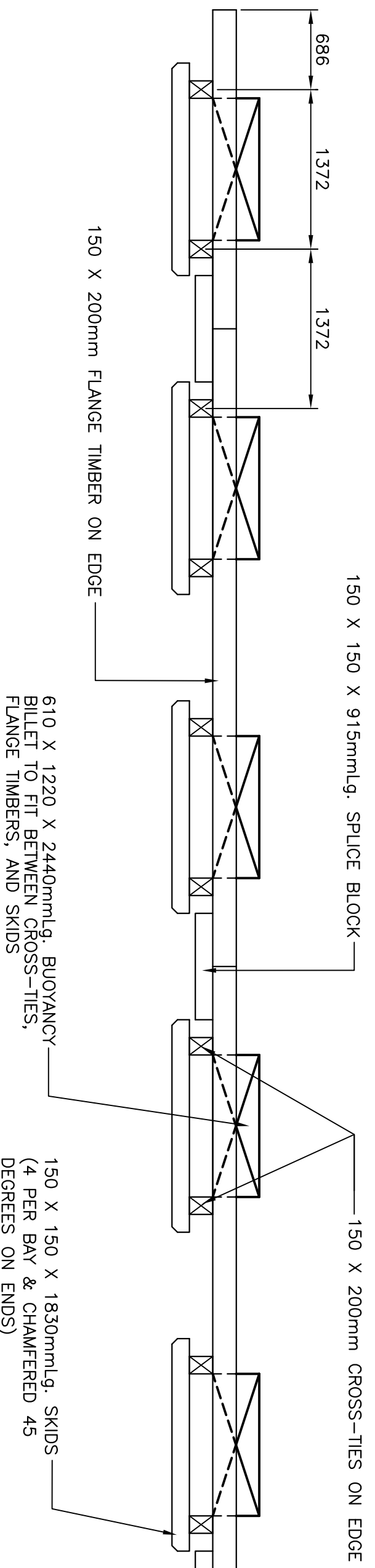
**TOP TIER-PLAN VIEW**  
SCALE: 1:40  
**1**



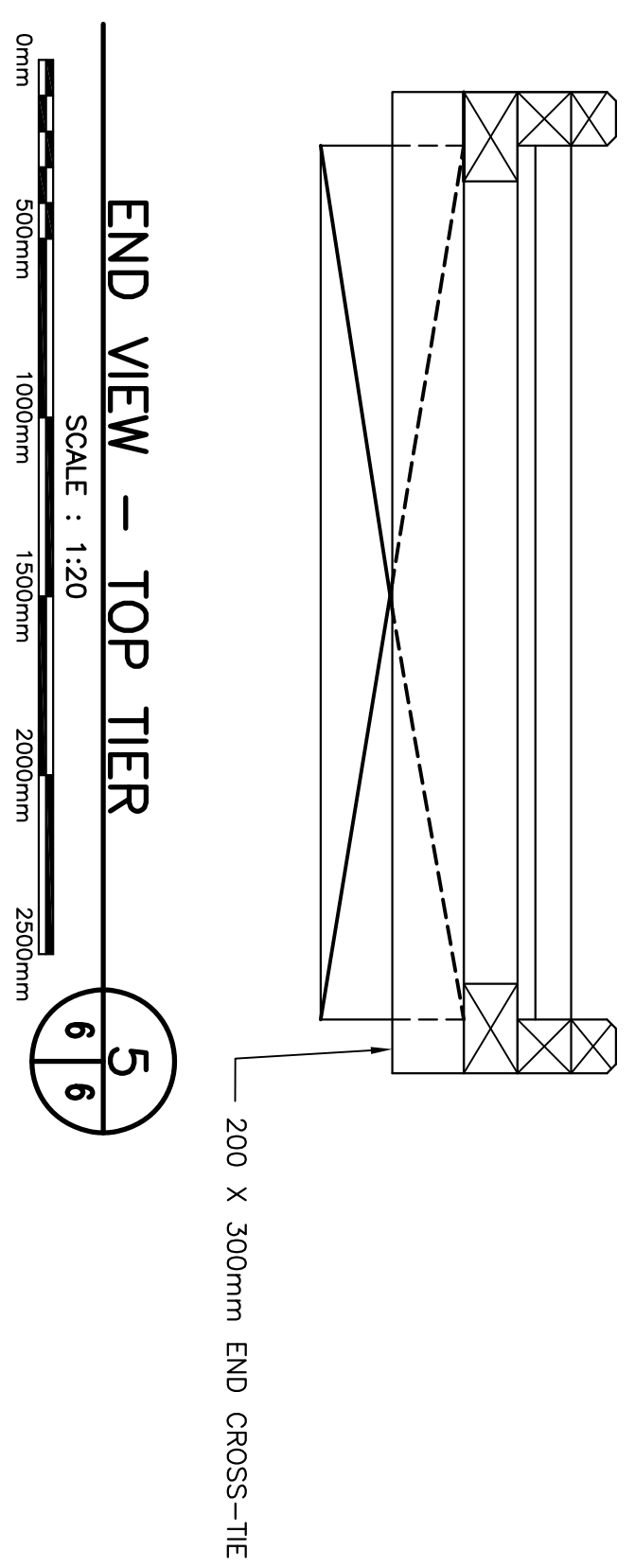
**TOP TIER-SIDE VIEW**  
SCALE: 1:40  
**2**



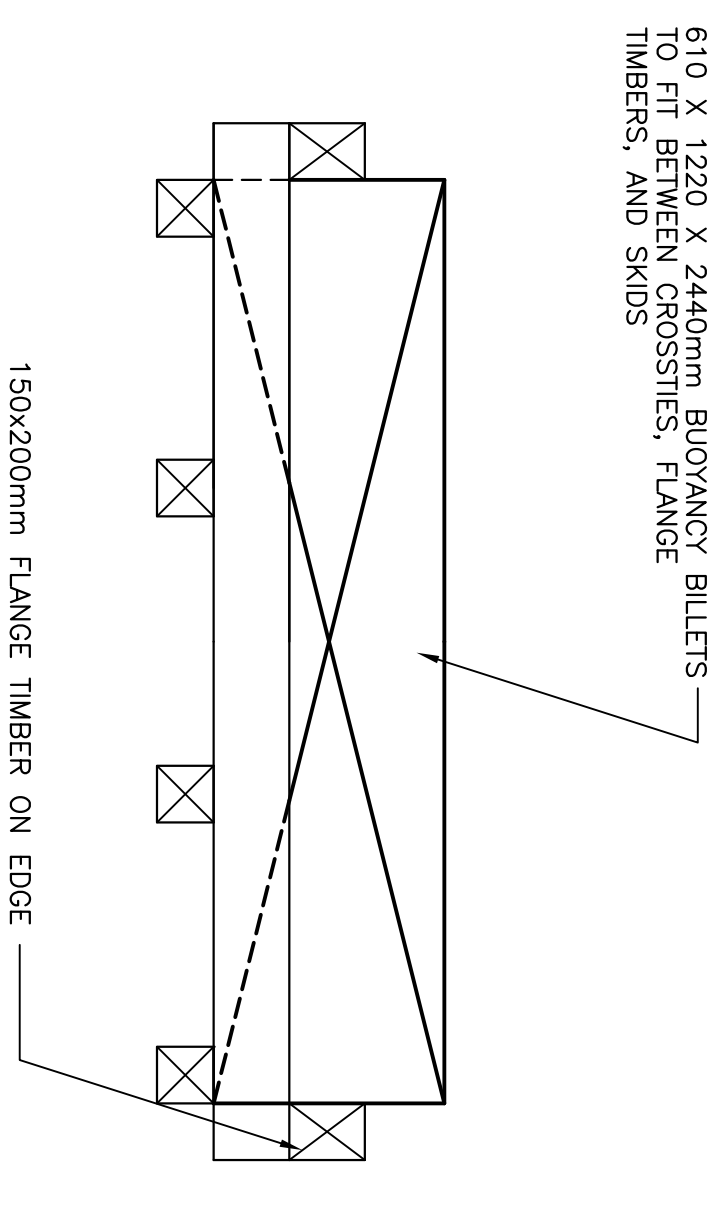
**FIRST TIER-PLAN VIEW**  
SCALE: 1:40  
**3**



**FIRST TIER-SIDE VIEW**  
SCALE: 1:40  
**4**



**END VIEW - TOP TIER**  
SCALE: 1:20  
**5**



**END VIEW - FIRST TIER**  
SCALE: 1:20  
**6**

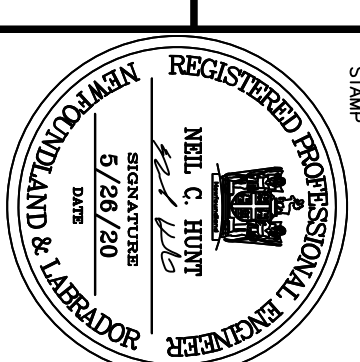
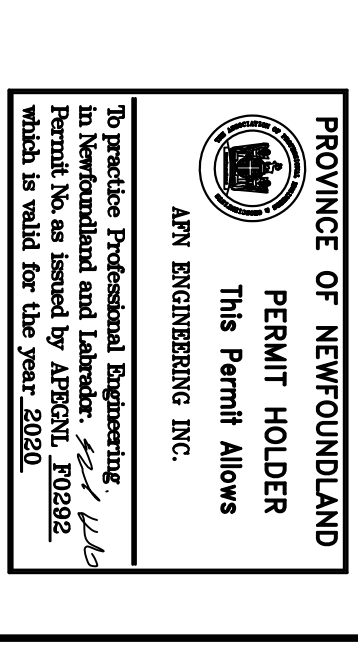
610 X 1220 X 2440mm BUOYANCY BILLET TO FIT BETWEEN CROSS-TIES, FLANGE TIMBERS, AND SKIDS

**GENERAL NOTES:**

1. ALL DIMENSIONS IN MILLIMETRES.
2. ALL MACHINE BOLTS 16mm Ø.
3. ALL DRIFT BOLTS 16mm.
4. ALL BOLTS TO BE COUNTERSUNK.
5. ALL TIMBER TO BE TREATED.
6. ALL HARDWARE TO BE GALVANIZED.
7. CONNECTION PLATES TO BE INSTALLED ON EACH FLOATING DOCK.
8. MOORING PLATE TO BE INSTALLED ON EACH FLOATING DOCK AS REQUIRED AND DIRECTED BY THE DEPARTMENTAL REPRESENTATIVE.
9. CENTER MOORING PLATE TO BE INSTALLED AT OPPOSITE END OF FLOATING DOCK CONNECTION PLATE.
10. BUOYANCY BILLET: 610 X 1220 X 2440mm TYPE 2 EXPANDED POLYSTYRENE C/W 90 MILS AG101 URETHANE WATERPROOFING.
11. PAINT WHEELGUARD AND W/G BLOCKING WITH ALKYL/OIL RESIN PAINT SIMILAR TO PITTSBURGH PAINTS PRODUCT ID 7-809 (COLOR SELECTED BY THE DEPARTMENTAL REPRESENTATIVE). PAINT TO CONFORM TO CAN/CSSB-161-2004.



**NOTES:**  
1. ALL ELEVATIONS ARE IN METRES UNLESS OTHERWISE NOTED.  
2. ALL DIMENSIONS ARE IN MILLIMETRES UNLESS OTHERWISE NOTED.



no.	description	date
B	ISSUED FOR TENDER	5/28/20
A	ISSUED FOR REVIEW	10/15/19

project: HARBOUR DEVELOPMENT  
 LODGE BAY, NL

**FLOATING DOCKS PLANS, ELEVATIONS AND DETAILS**

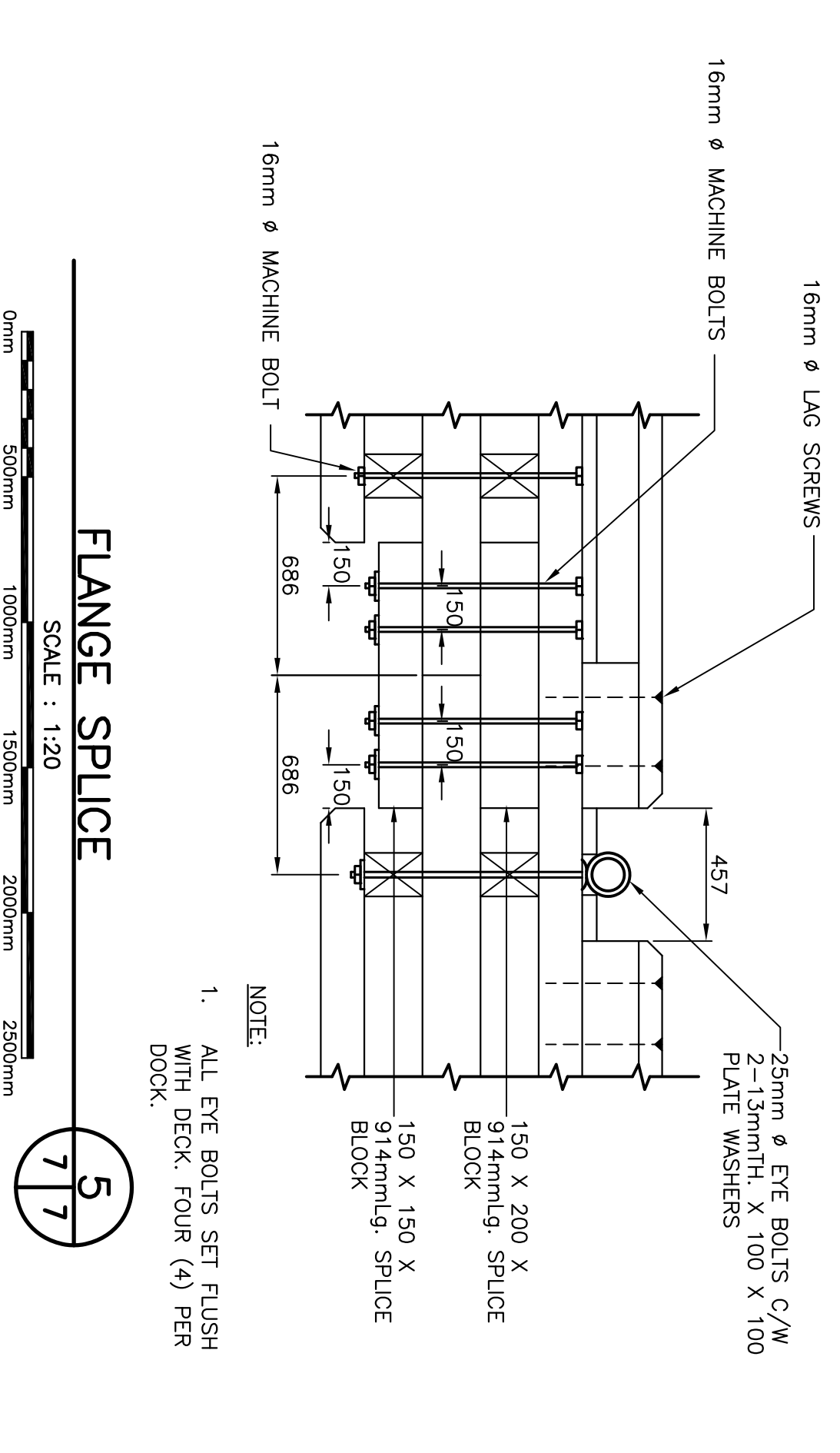
designed N.H.	scale
date: MAY 26, 2020	
drawn P.H.	designed
date: MAY 26, 2020	approved

no. of sheets	no. of project
722353	
C6	

SMALL CRAFT HARBOURS

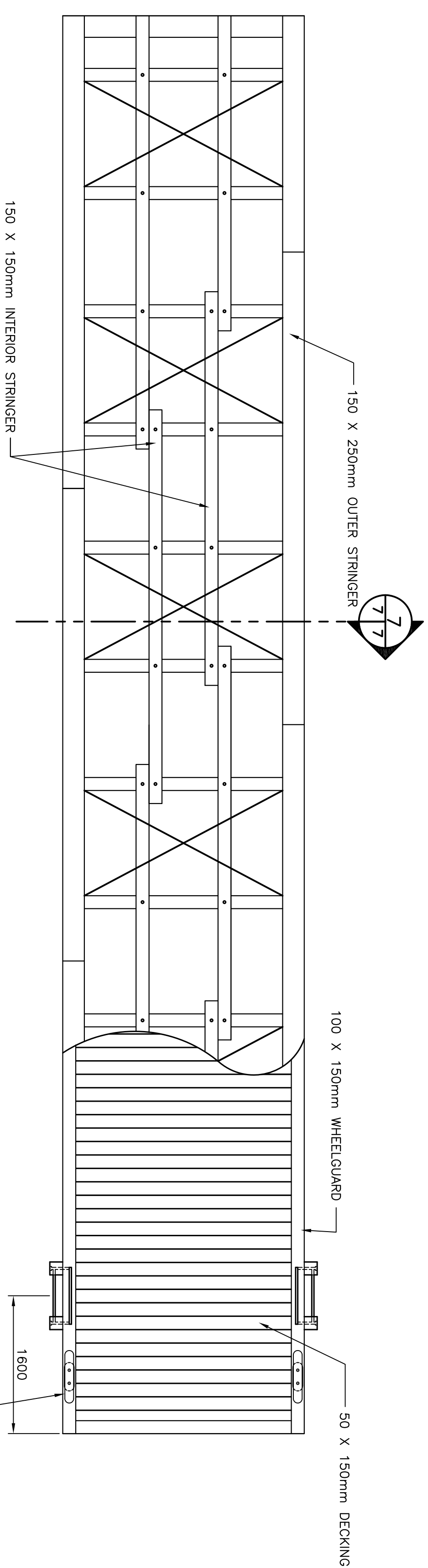


NOTES:  
1. ALL ELEVATIONS ARE IN METRES UNLESS OTHERWISE NOTED.  
2. ALL DIMENSIONS ARE IN MILLIMETRES UNLESS OTHERWISE NOTED.



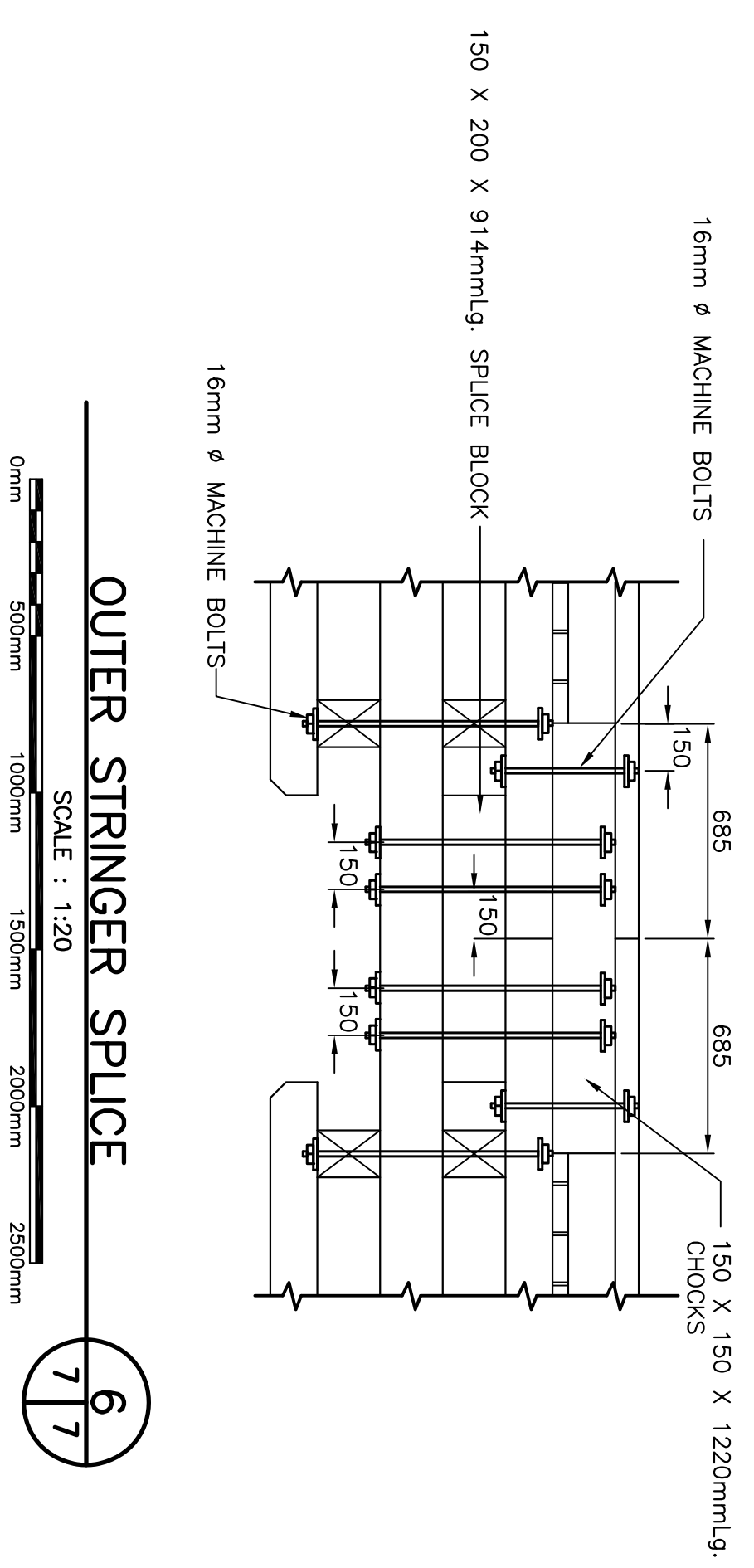
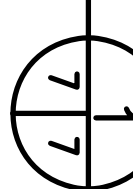
FLANGE SPICE

SCALE : 1:20



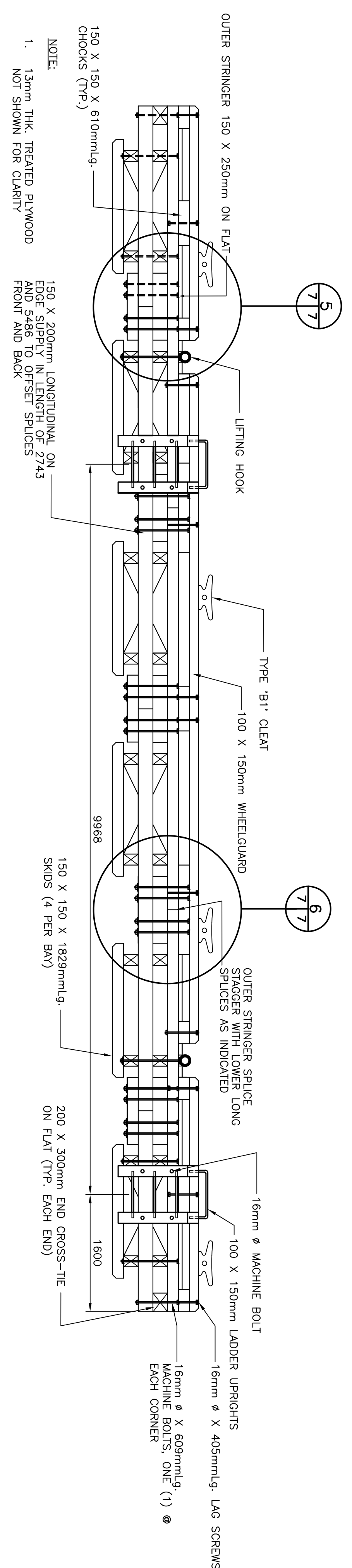
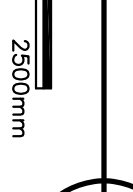
COMPLETE ASSEMBLY - PLAN VIEW

SCALE: 1:40



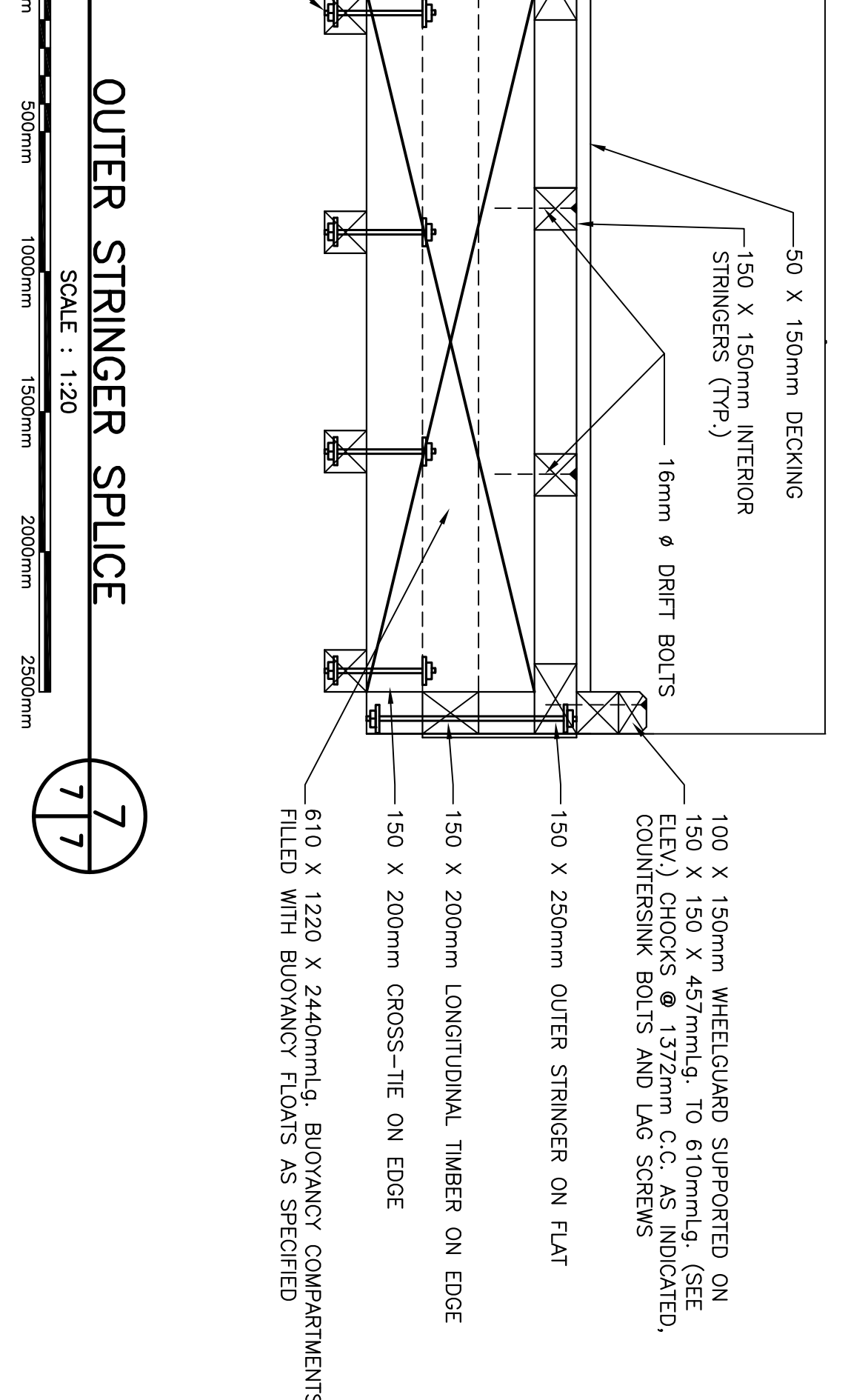
OUTER STRINGER SPICE

SCALE : 1:20



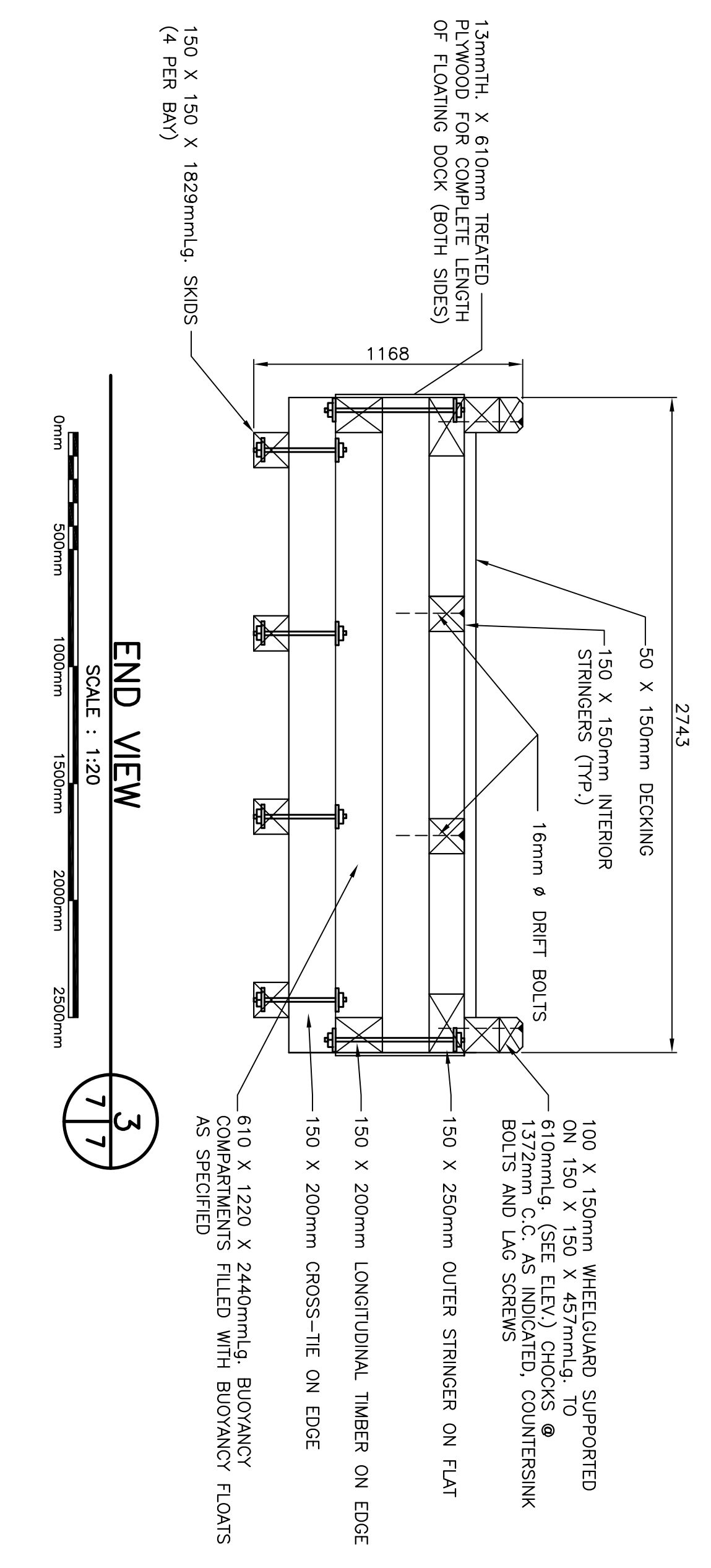
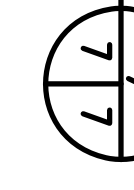
COMPLETE ASSEMBLY - PLAN VIEW

SCALE: 1:40



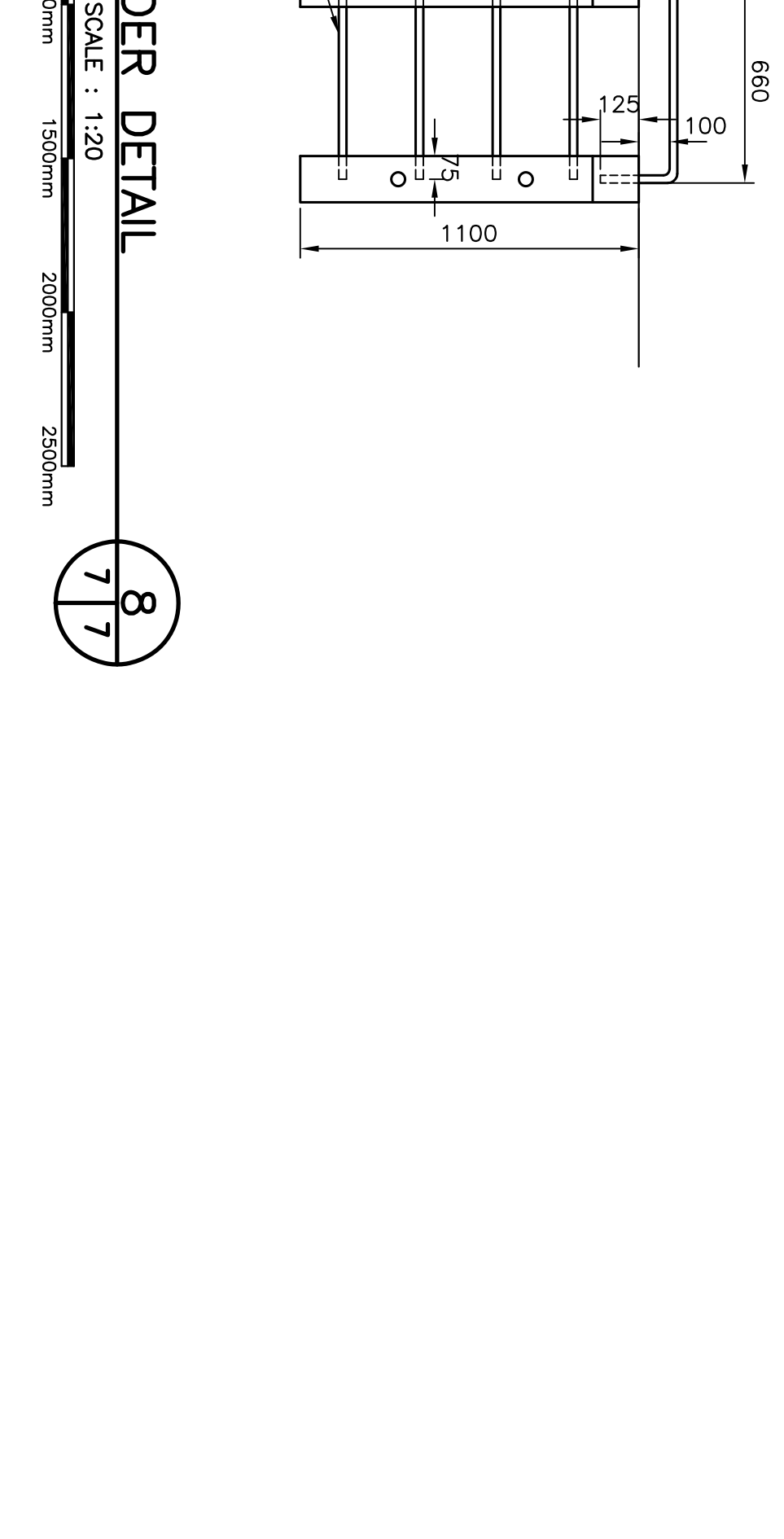
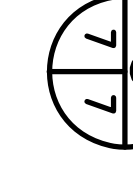
OUTER STRINGER SPICE

SCALE : 1:20



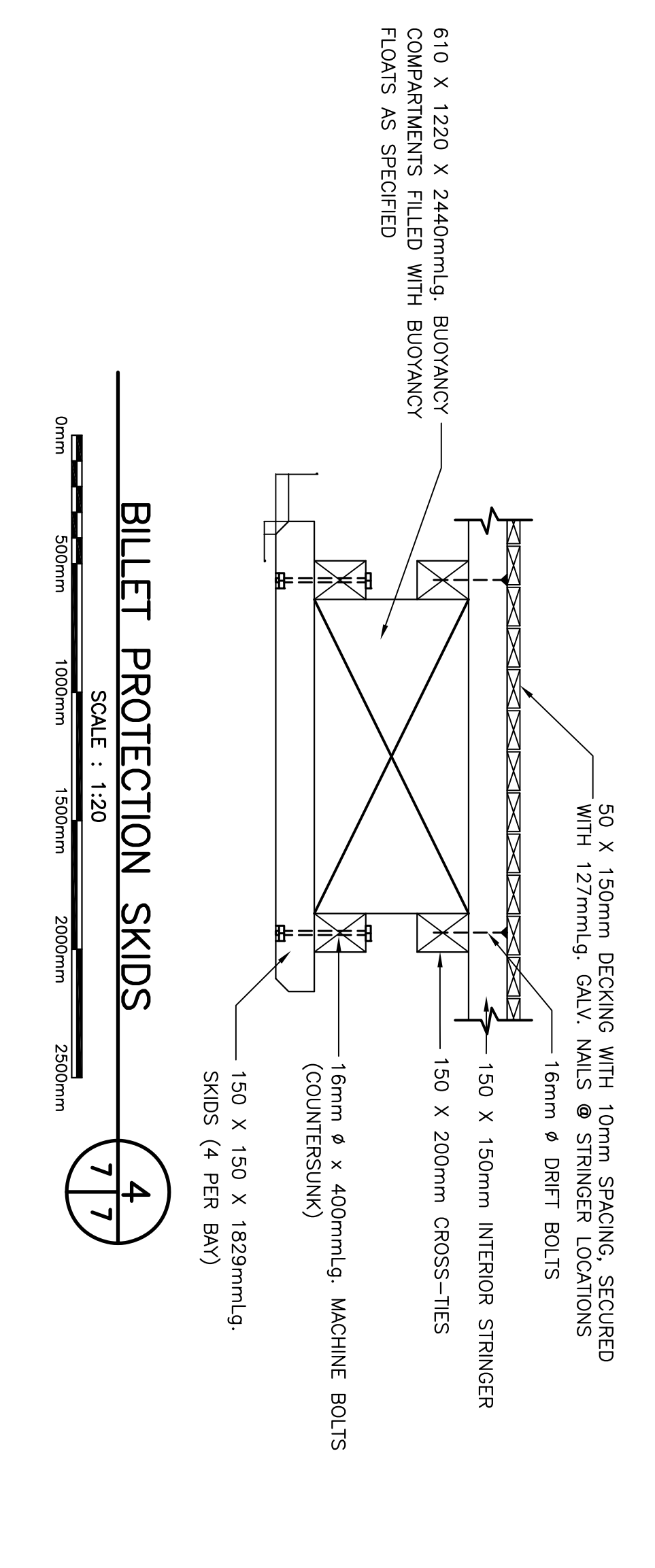
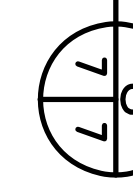
END VIEW

SCALE : 1:20



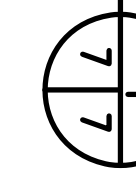
LADDER DETAIL

SCALE : 1:20



BILLET PROTECTION SKIDS

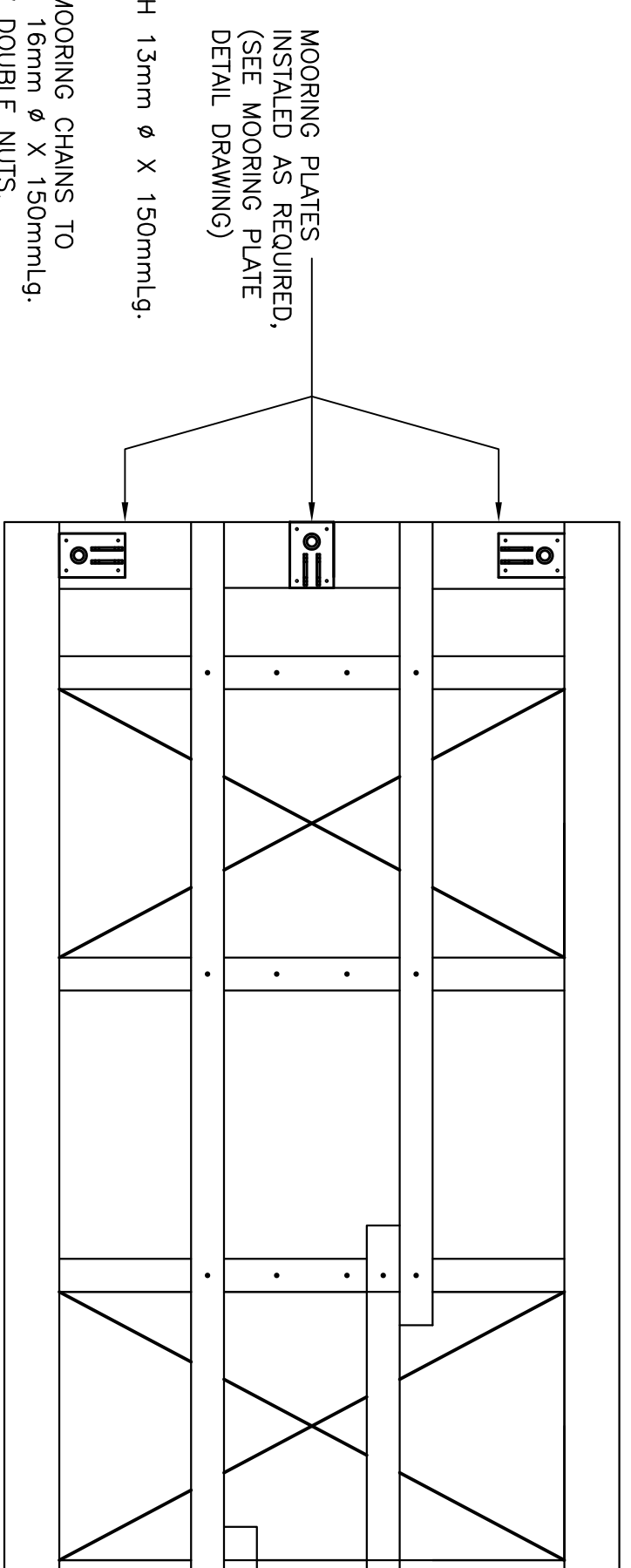
SCALE : 1:20



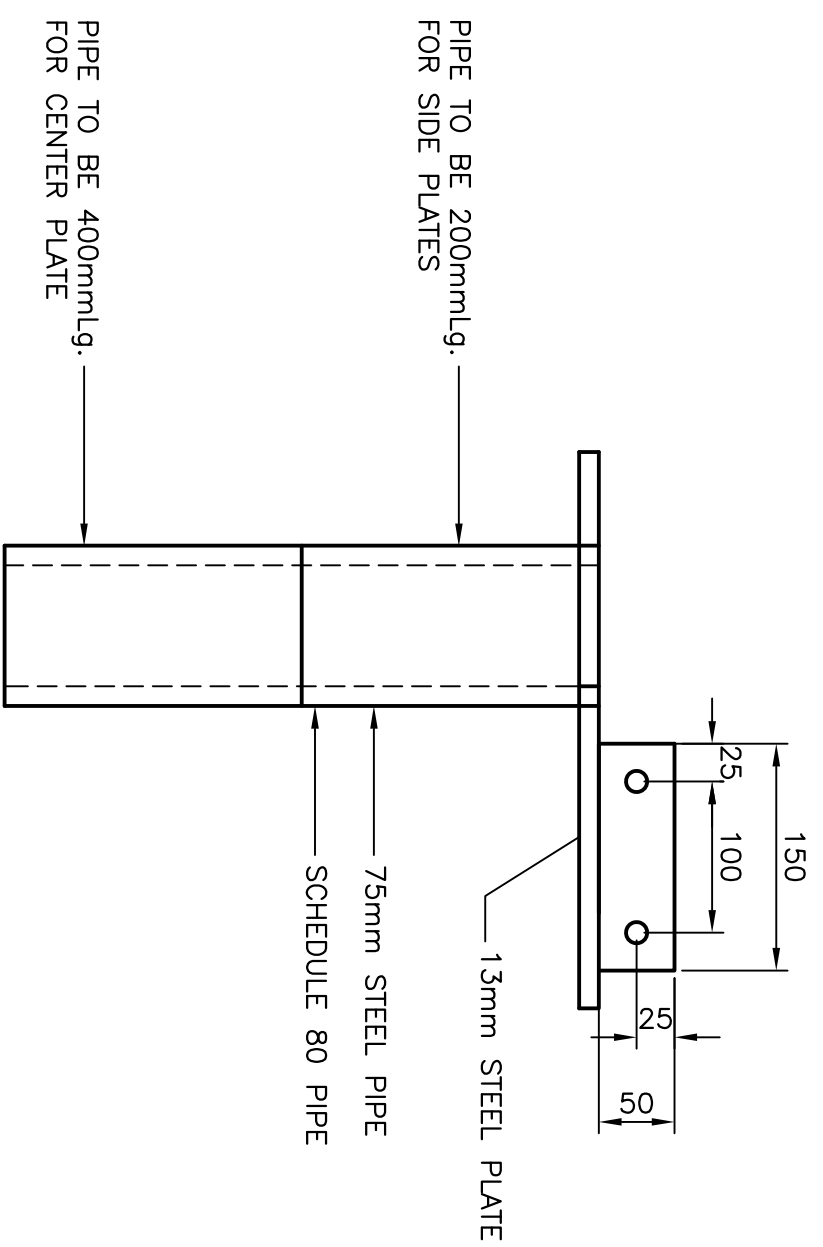
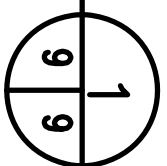
designer	N.H.	date	MAY 26, 2020
drawn	P.H.	date	MAY 26, 2020
checked		date	
approved		signature	
Project	HARBOUR DEVELOPMENT	no. du projet	722353
Project number		no. du dessin	C7



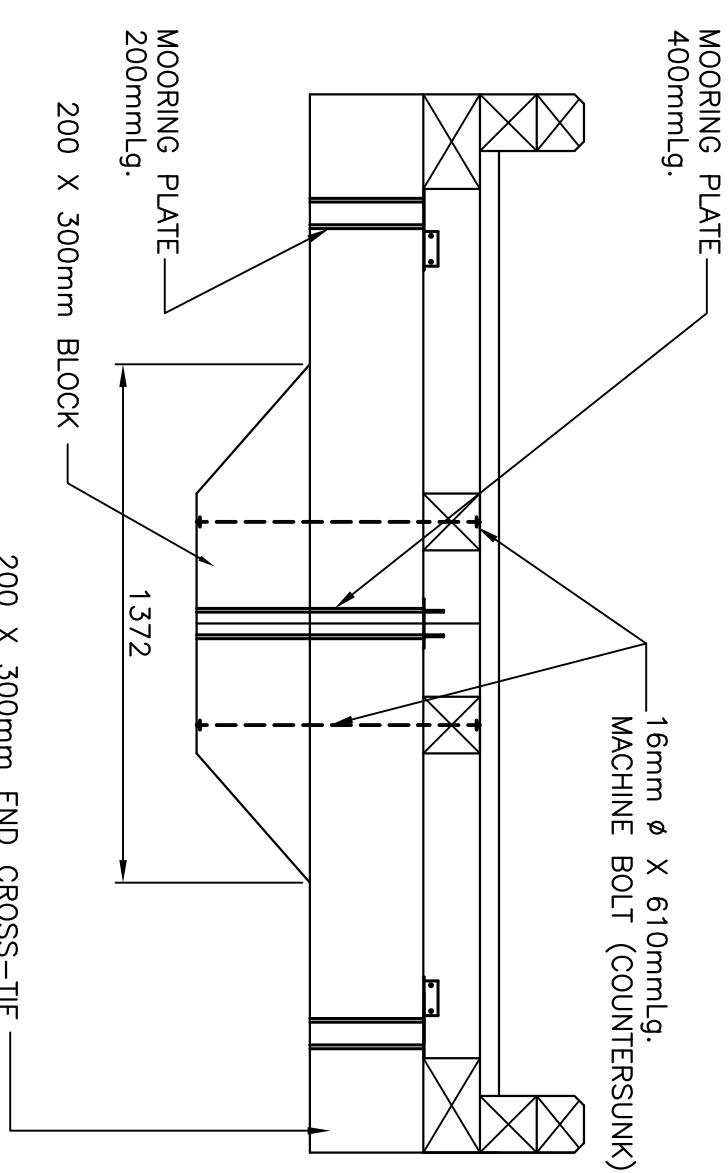
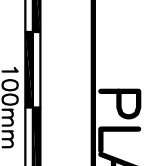




MOORING PLATES PLACEMENT



MOORING PLATES PLACEMENT - SIDE VIEW



MOORING PLATE PLACEMENT - END VIEW

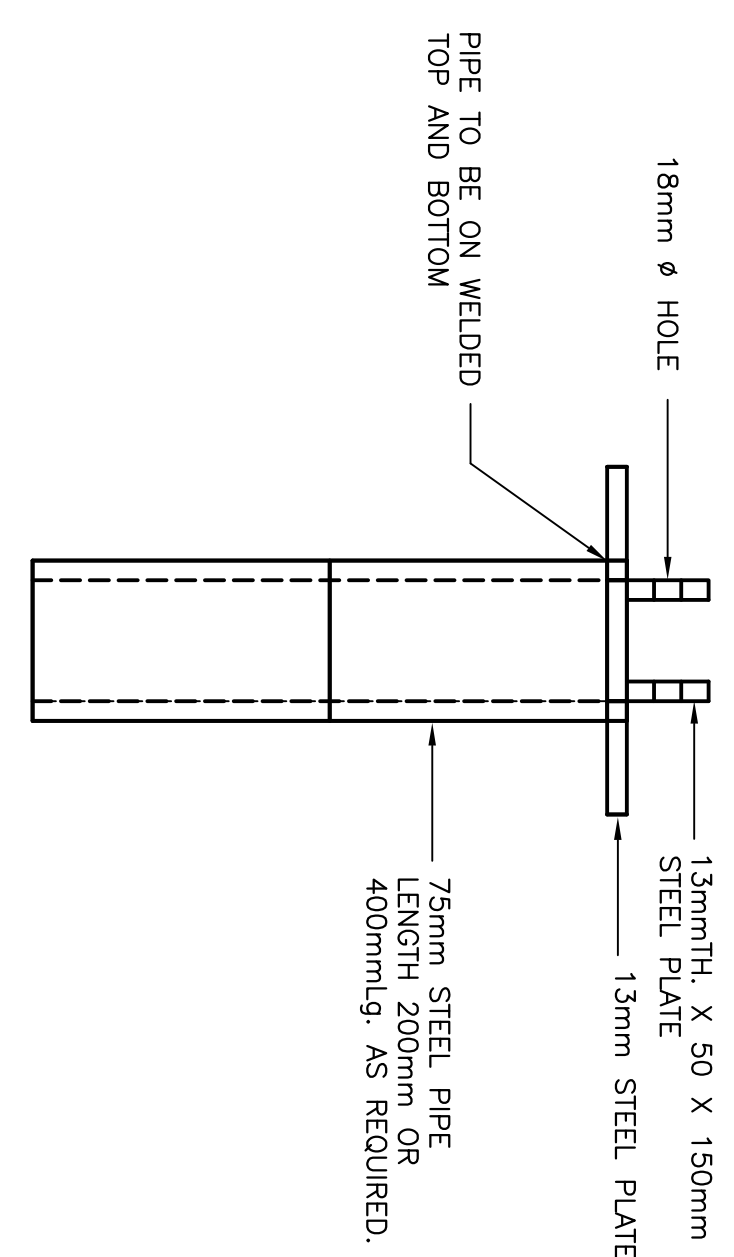
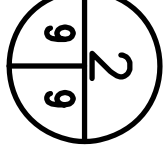
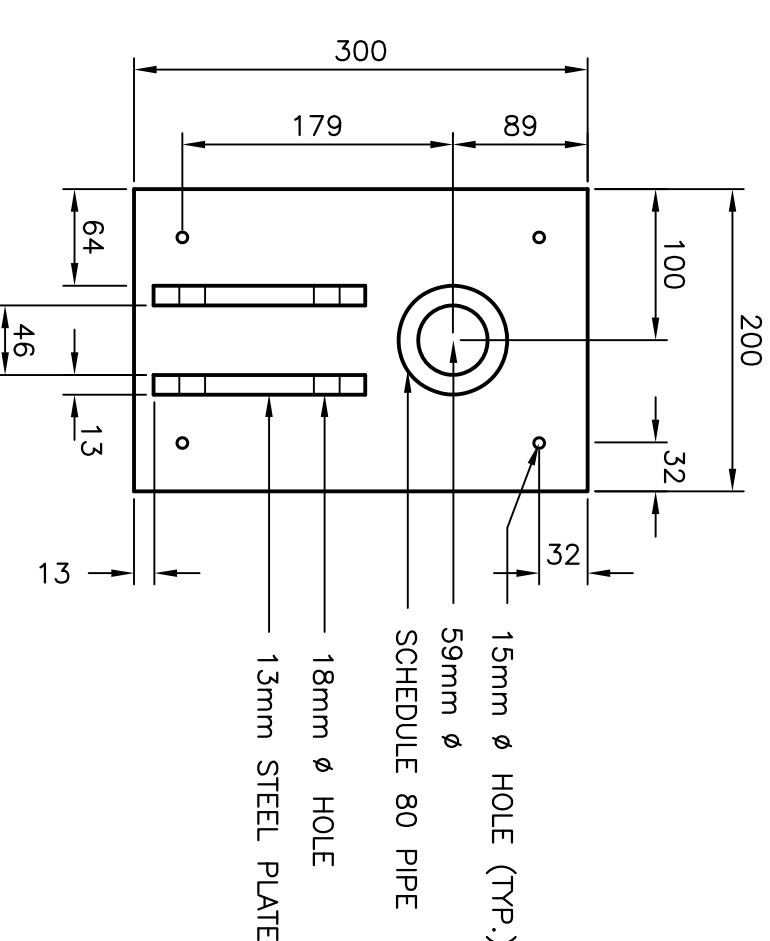
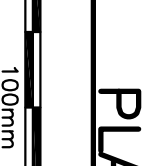
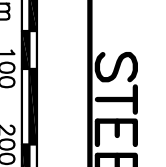


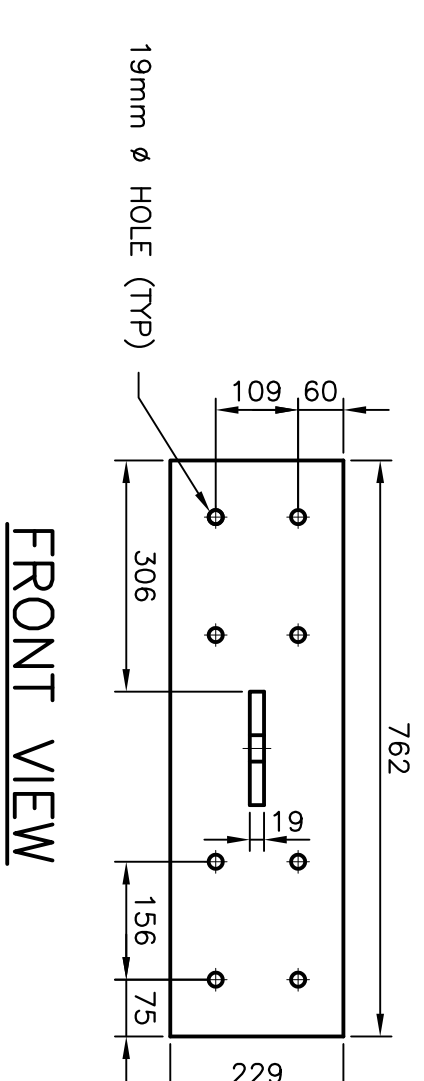
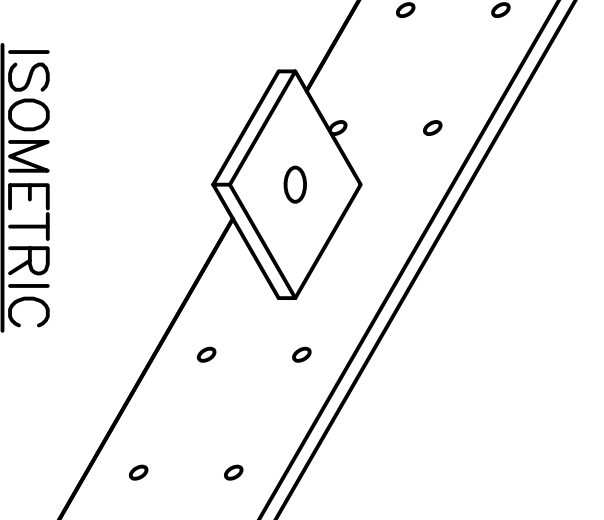
PLATE HARDWARE



STEEL PLATE DETAIL 1



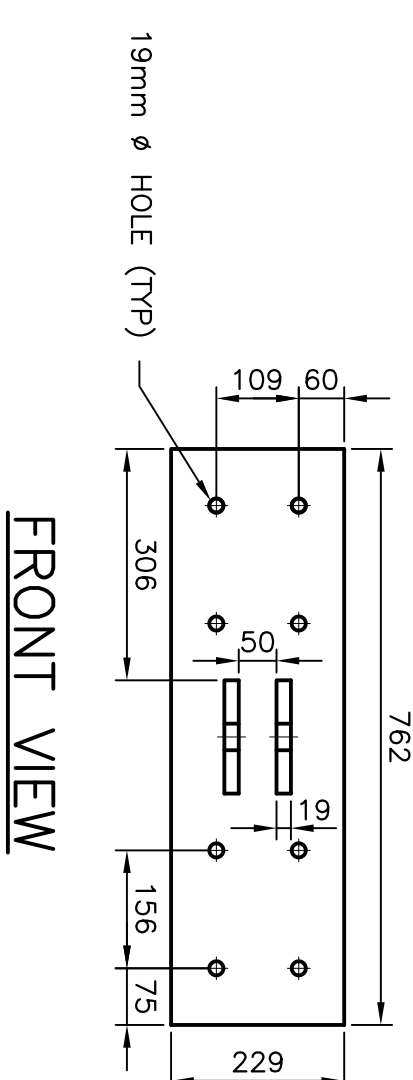
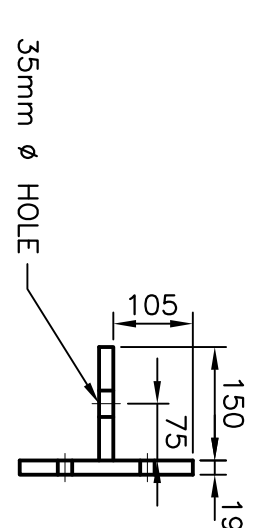
- NOTES:
1. ATTACH PLATE TO 200 x 300mm CROSS-TIE TIMBER WITH 18mm x 150mm MACHINE BOLTS.
  2. ALL HARDWARE GALVANIZED.



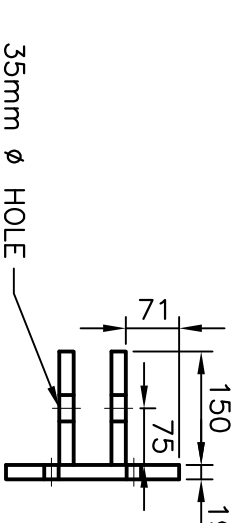
STEEL PLATE DETAIL 2



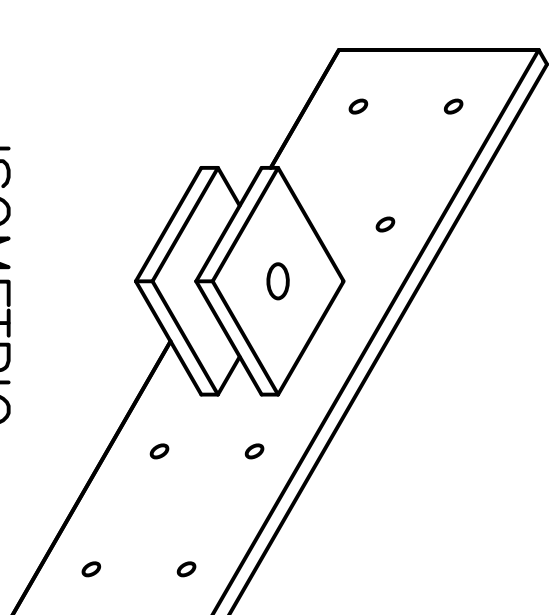
SIDE VIEW



FRONT VIEW



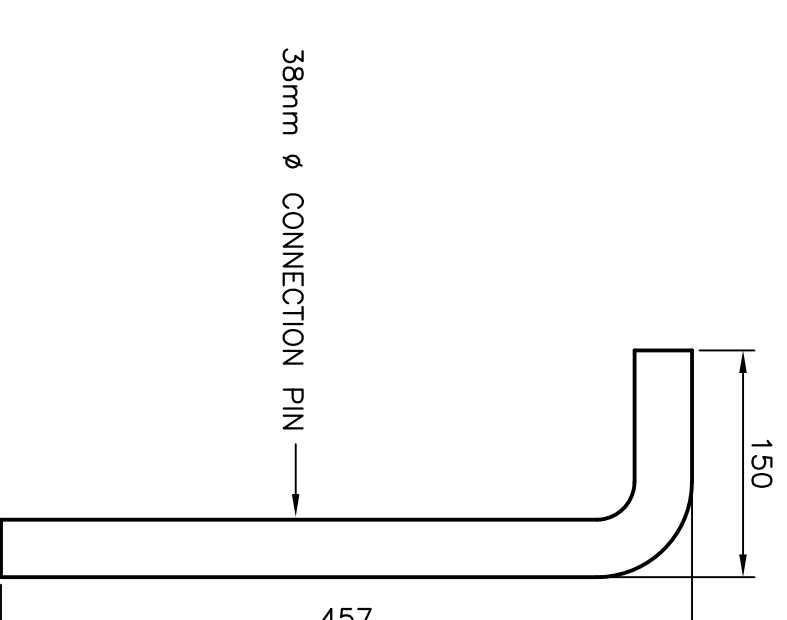
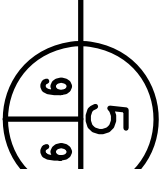
SIDE VIEW



ISOMETRIC

- NOTES:
1. ATTACH PLATE TO 200 x 300mm CROSS-TIE TIMBER WITH 18mm x 150mm MACHINE BOLTS.
  2. ALL HARDWARE GALVANIZED.

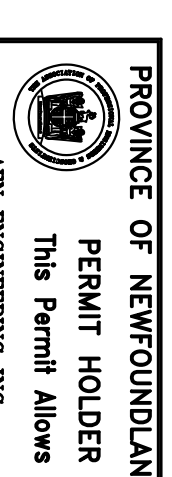
STEEL PLATE DETAIL 2



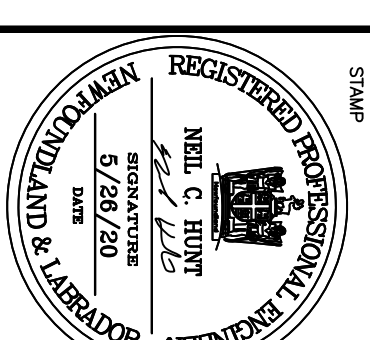
PIN DETAIL



- NOTES:
1. ALL ELEVATIONS ARE IN METRES UNLESS OTHERWISE NOTED.
  2. ALL DIMENSIONS ARE IN MILLIMETRES UNLESS OTHERWISE NOTED.



PROVINCE OF NEWFOUNDLAND  
PERMIT HOLDER  
This Permit Allows  
A.P.N. ENGINEERING INC.

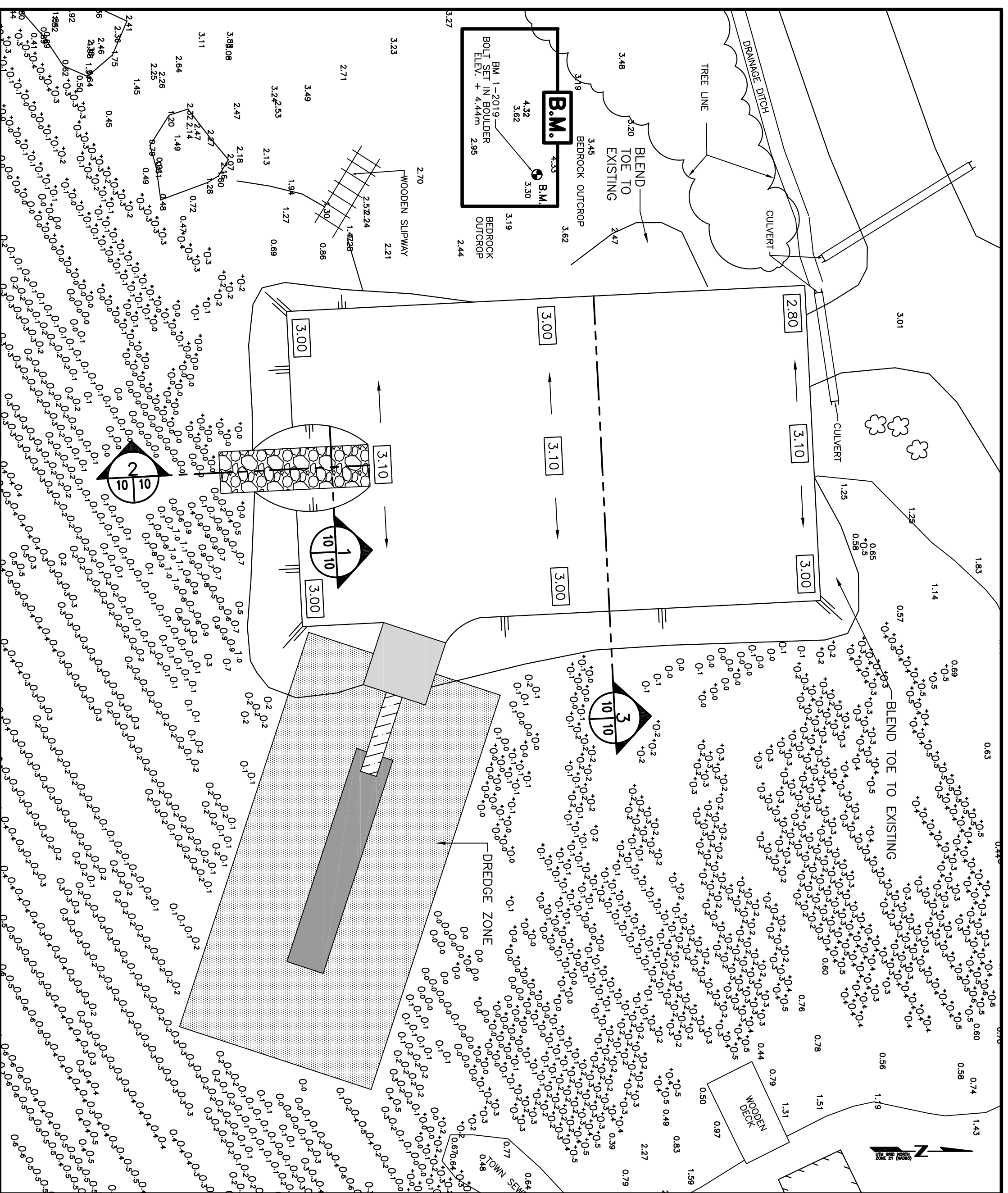


no.	description	date
B	ISSUED FOR TENDER	5/28/20
A	ISSUED FOR REVIEW	10/15/19
revisions		

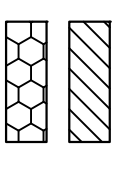
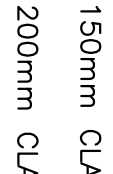
HARBOUR DEVELOPMENT  
LODGE BAY, NL

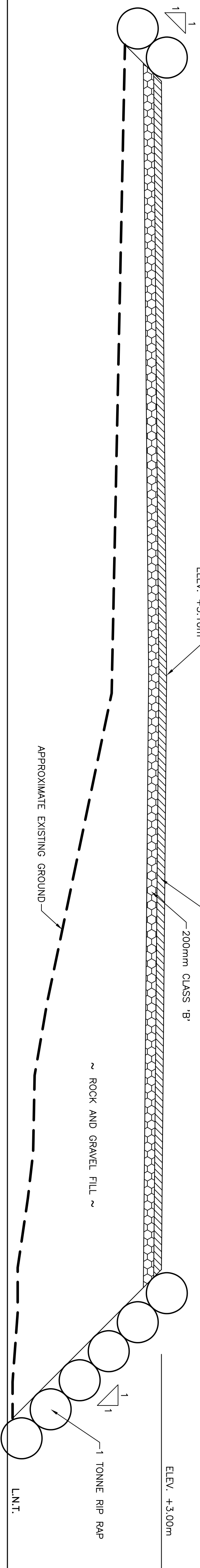
FLOATING DOCK  
DETAILS

designed N.H.	scale
date MAY 26, 2020	
drawn P.H.	designed
date MAY 26, 2020	approved
approved	
revised	
no. of sheets	
722353	
C9	

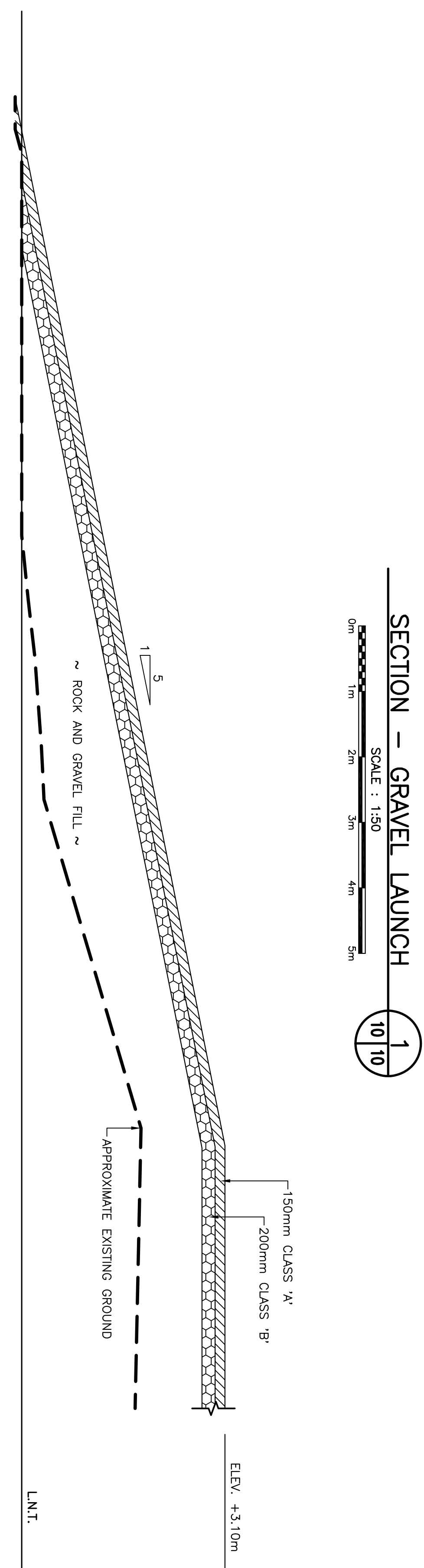


KEY PLAN FOR UPLANDS  
SCALE: 1:250

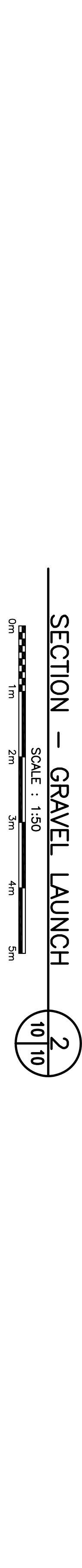
LEGEND:  
 150mm CLASS 'A'  
 200mm CLASS 'B'



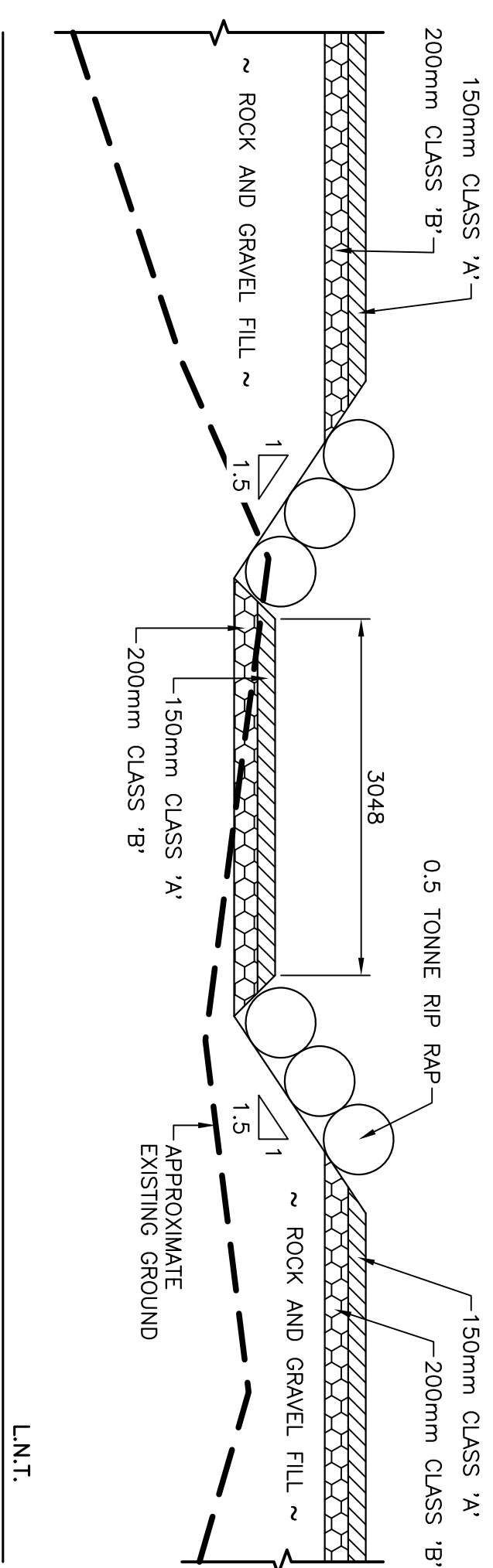
SECTION - UPLANDS  
SCALE: 1:50



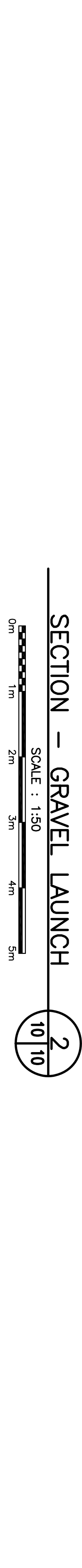
SECTION - GRAVEL LAUNCH  
SCALE: 1:50



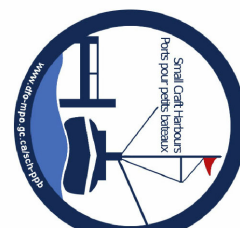
SECTION - GRAVEL LAUNCH  
SCALE: 1:50



SECTION - GRAVEL LAUNCH  
SCALE: 1:50



SECTION - GRAVEL LAUNCH  
SCALE: 1:50

		<p><b>SMALL CRAFT HARBOURS</b></p>
<p>1. ALL ELEVATIONS ARE IN METRES UNLESS OTHERWISE NOTED. 2. ALL DIMENSIONS ARE IN MILLIMETRES UNLESS OTHERWISE NOTED.</p>		<p><b>NOTES:</b></p>
<p>PROVINCE OF NEWFOUNDLAND PERMIT HOLDER This Permit Allows APN ENGINEERING INC.</p>		<p>REGISTERED PROFESSIONAL ENGINEER NIELL C. HUBB PROVINCE OF NEWFOUNDLAND NO. 1115 ISSUED 2020</p>
<p>HARBOUR DEVELOPMENT LODGE BAY, NL</p>		<p>ISSUED FOR TENDER 5/28/20 ISSUED FOR REVIEW 10/15/19</p>
<p>SECTIONS - GRAVEL LAUNCH AND UPLANDS</p>		<p>drawing no. C10</p>
<p>designer N.H. date MAY 26, 2020 drawn P.H. date MAY 26, 2020 approved</p>		<p>no. of sheets 1</p>
<p>no. of project 722353</p>		<p>no. of sheets 1</p>