



Revision/Revision	Description/Description	Date/Date
5		
4		
3	ADDENDUM #1	20/08/27
2	RE-ISSUED FOR TENDER	20/05/15
1	ISSUED FOR TENDER	20/03/31
0	ISSUED FOR REVIEW	19/10/31

Client/client: **PSPC CANADA**



Project title/Titre du projet: **LOWER LIARD RIVER BRIDGE STRENGTHENING, KM 763.3, ALASKA HIGHWAY, BC**

Consultant Signature Only

Designed by/Concept par: **A.KANSAL**

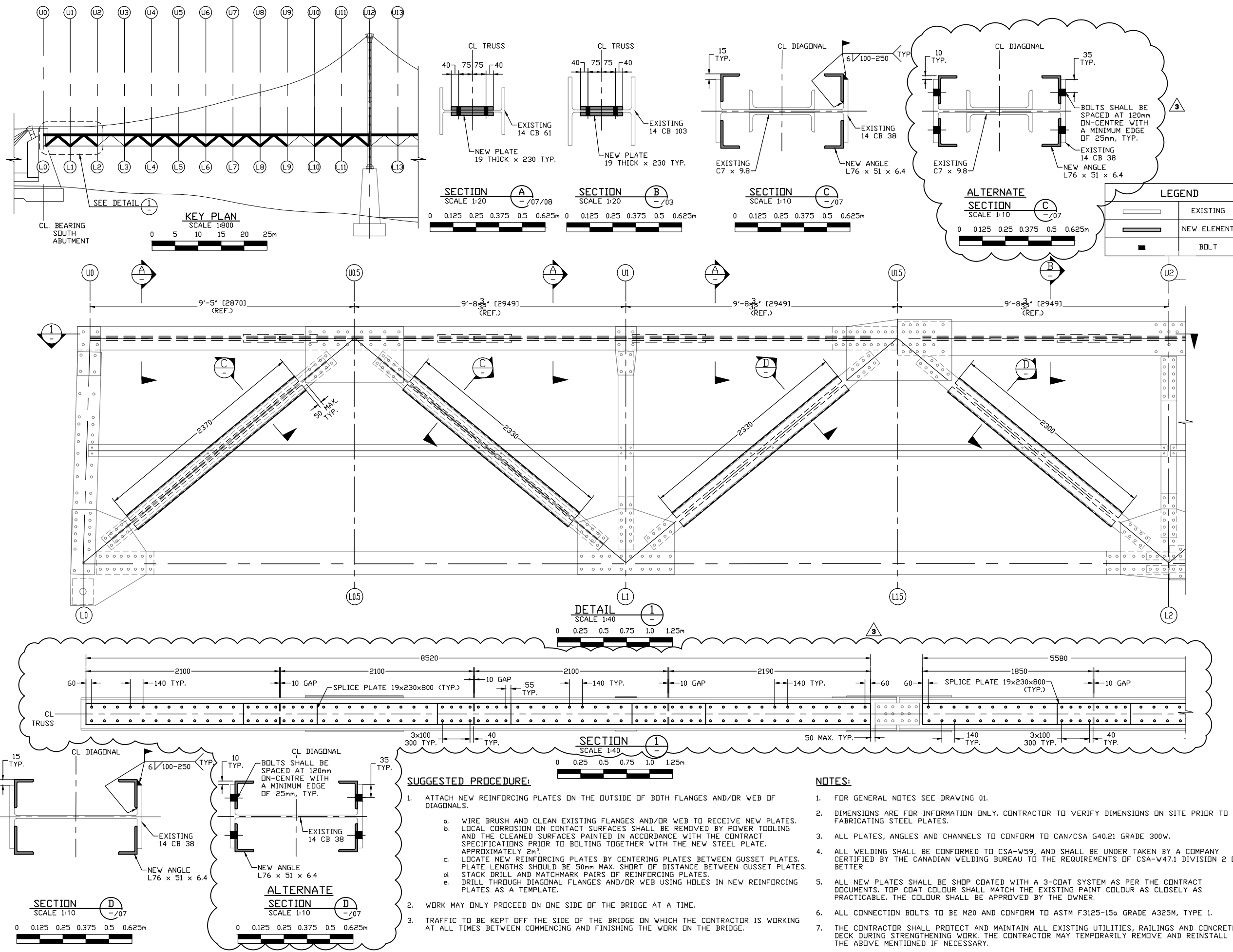
Drawn by/Dessiné par: **H.RYU / A.BAANG**

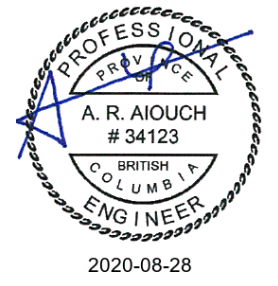
PWGC Project Manager/Administrateur de Projets TPSGC: **R.AIOUCH**

PWGC, Regional Manager, Architectural and Engineering Services / Gestionnaire régionale, Services d'architecture et de génie, TPSGC: **PWGC-REG_MGR**

Drawing title/Titre du dessin: **SECTION DETAILS FOR STRENGTHENING PART 1 OF 13**

Project No./No. du projet: R.017173.355	Sheet/Fauille: 02 OF 14	Revision no./La Révision no.: 3
--	-----------------------------------	--





Revision/Revision	Description/Description	Date/Date
5		
4		
3	ADDENDUM #1	20/08/27
2	RE-ISSUED FOR TENDER	20/05/15
1	ISSUED FOR TENDER	20/03/31
0	ISSUED FOR REVIEW	19/10/31

Client/client
PSPC CANADA

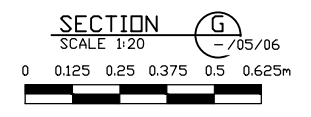
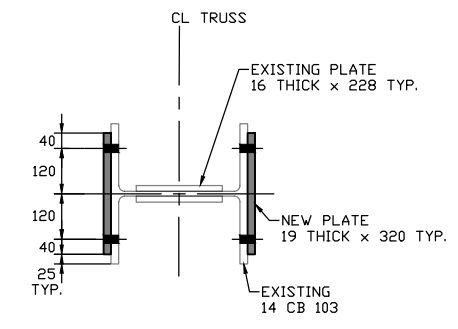
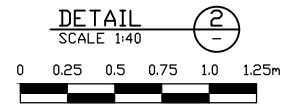
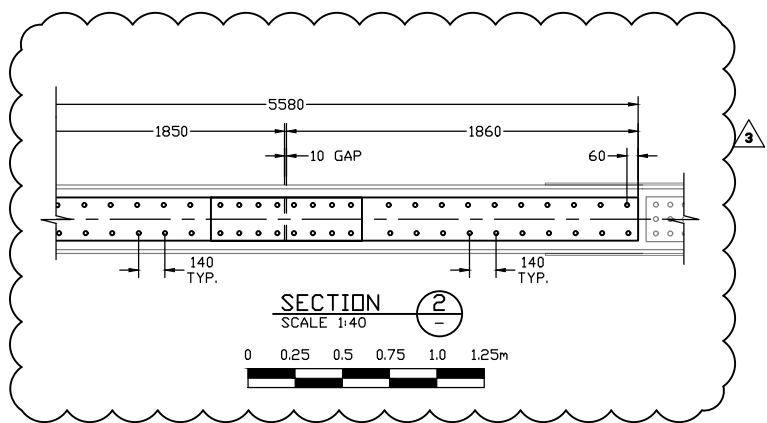
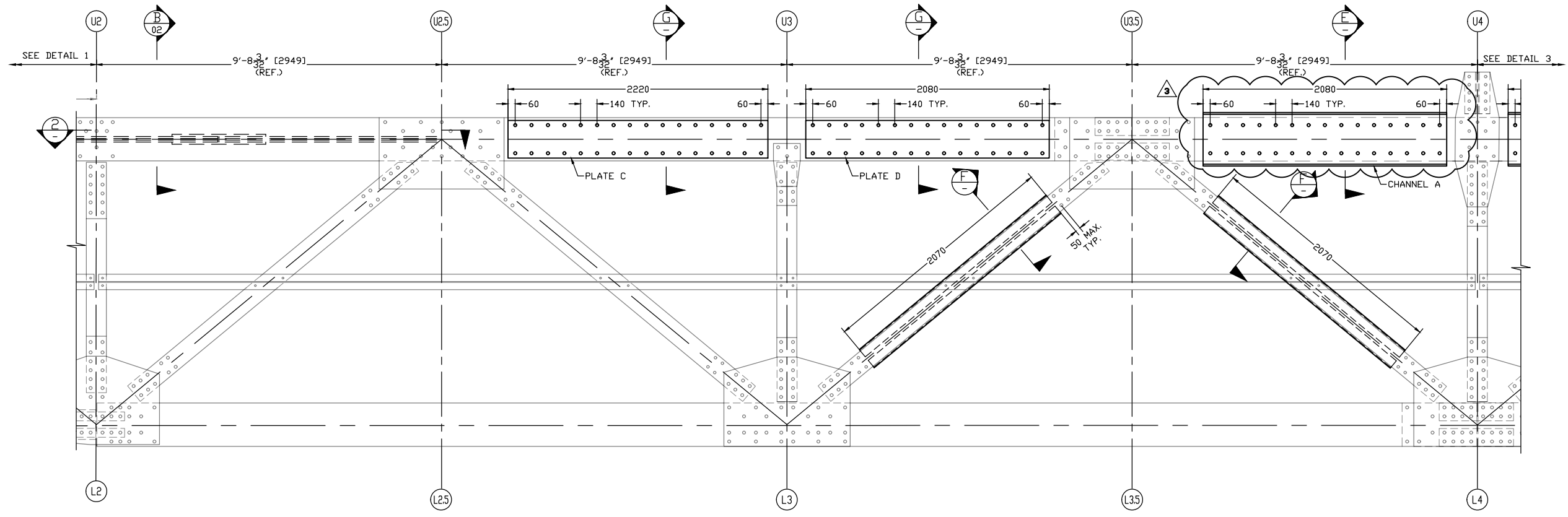
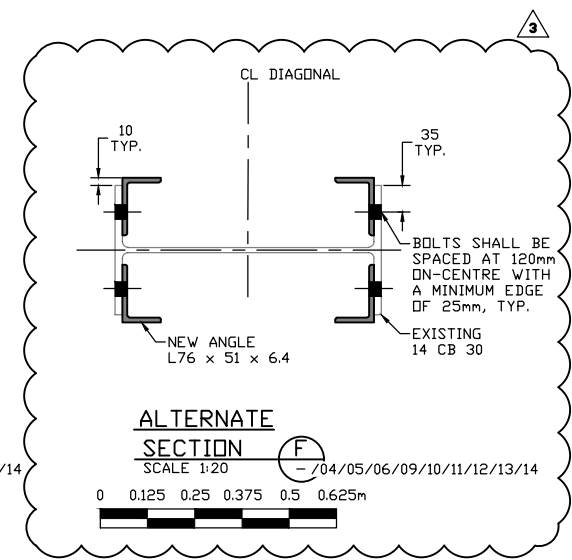
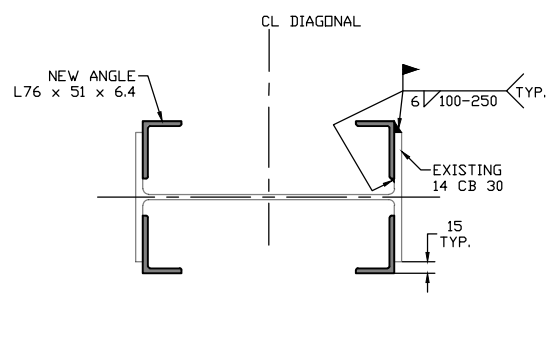
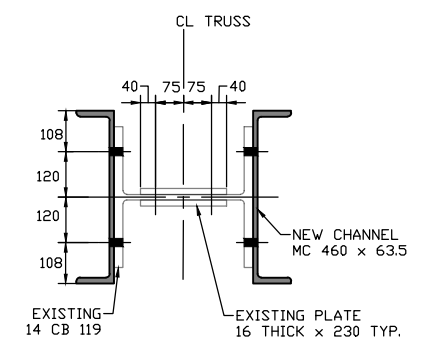
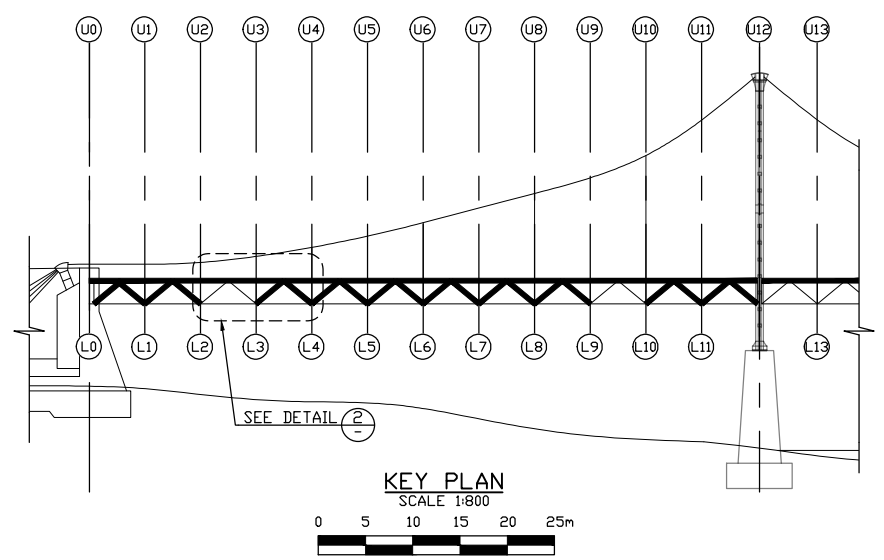


Project title/Titre du projet
LOWER LIARD RIVER BRIDGE STRENGTHENING, KM 763.3, ALASKA HIGHWAY, BC

Consultant Signature Only
Designed by/Concept par
A.KANSAL
Drawn by/Dessiné par
H.RYU / A.BAANG
PWGSC Project Manager/Administrateur de Projets TPSGC
R.AIOUCH
PWGSC, Regional Manager, Architectural and Engineering Services/
Gestionnaire régionale, Services d'architectural et de génie, TPSGC
PWGSC-REG_MGR

Drawing title/Titre du dessin
SECTION DETAILS FOR STRENGTHENING PART 2 OF 13

Project No./No. du projet	Sheet/Fauille	Revision no./La Révision no.
R.017173.355	03 OF 14	3



LEGEND	
	EXISTING
	NEW ELEMENT
	BOLT

- NOTES:
- FOR GENERAL NOTES SEE DRAWING 01.
 - FOR SUGGESTED PROCEDURE AND NOTES REFER TO DRAWING 02.



Revision/ Révision	Description/Description	Date/Date
5		
4		
3	ADDENDUM #1	20/08/27
2	RE-ISSUED FOR TENDER	20/05/15
1	ISSUED FOR TENDER	20/03/31
0	ISSUED FOR REVIEW	19/10/31

Client/client: **PSPC CANADA**



Project title/Titre du projet: **LOWER LIARD RIVER BRIDGE STRENGTHENING, KM 763.3, ALASKA HIGHWAY, BC**

Consultant Signature Only

Designed by/Concept par: **A.KANSAL**

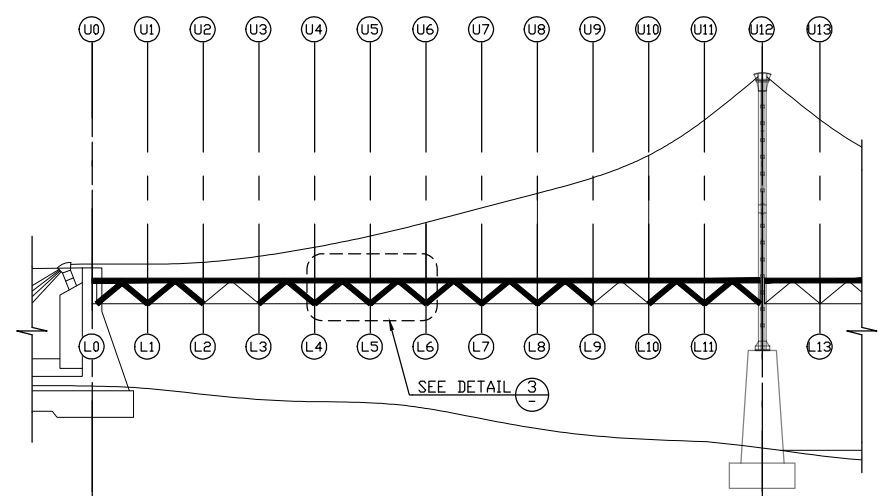
Drawn by/Dessiné par: **H.RYU / A.BAANG**

PWGSC Project Manager/Administrateur de Projets TPSGC: **R.AIOUCH**

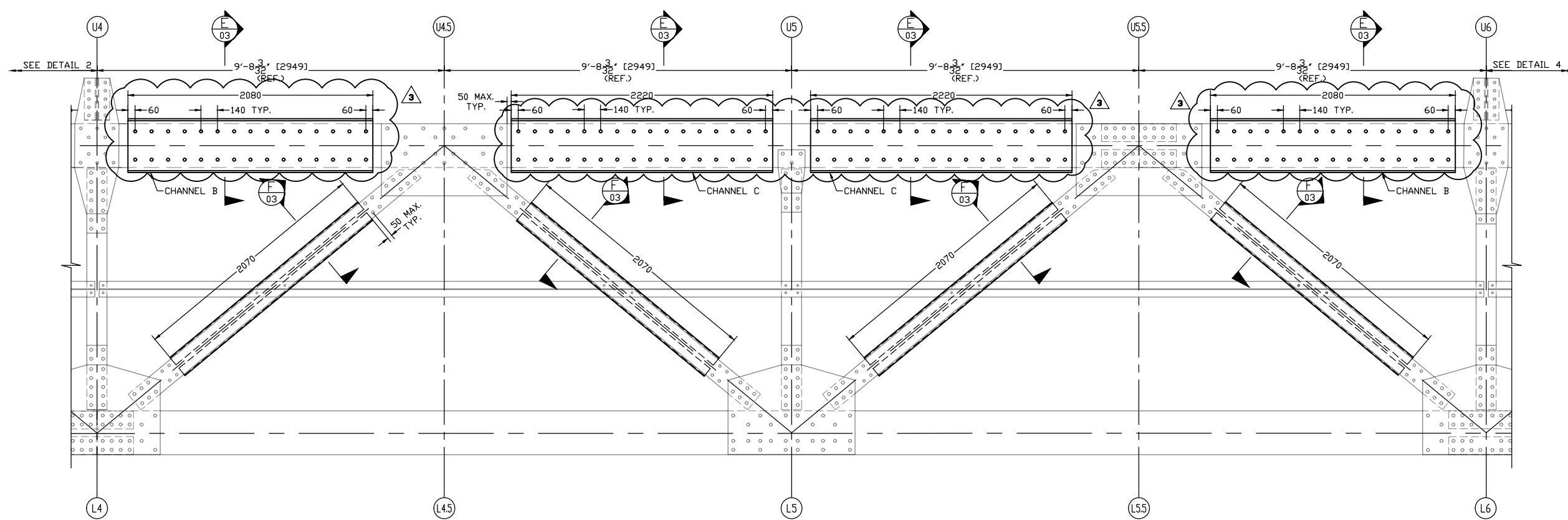
PWGSC, Regional Manager, Architectural and Engineering Services / Gestionnaire régionale, Services d'architecture et de génie, TPSGC: **PWGSC-REG_MGR**

Drawing title/Titre du dessin: **SECTION DETAILS FOR STRENGTHENING PART 3 OF 13**

Project No./No. du projet: R.017173.355	Sheet/Fauille: 04 OF 14	Revision no./La Révision no.: 3
--	-----------------------------------	--

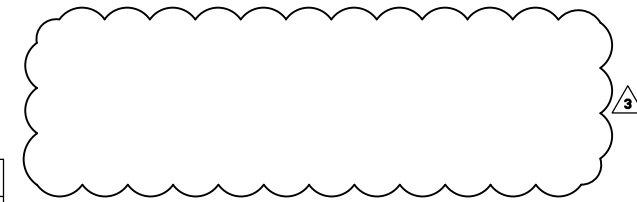


KEY PLAN
SCALE 1:800
0 5 10 15 20 25m

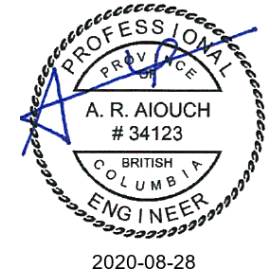


DETAIL 3
SCALE 1:40
0 0.25 0.5 0.75 1.0 1.25m

LEGEND	
	EXISTING
	NEW ELEMENT
	BOLT



- NOTES:**
- FOR GENERAL NOTES, SEE DRAWING 01.
 - FOR SUGGESTED PROCEDURE AND NOTES, REFER TO DRAWING 02.



Revision/ Révision	Description/ Description	Date/ Date
5		
4		
3	ADDENDUM #1	20/08/27
2	RE-ISSUED FOR TENDER	20/05/15
1	ISSUED FOR TENDER	20/03/31
0	ISSUED FOR REVIEW	19/10/31

Client/client: **PSPC CANADA**



Project title/Titre du projet: **LOWER LIARD RIVER BRIDGE STRENGTHENING, KM 763.3, ALASKA HIGHWAY, BC**

Consultant Signature Only

Designed by/Concept par: **A.KANSAL**

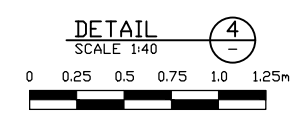
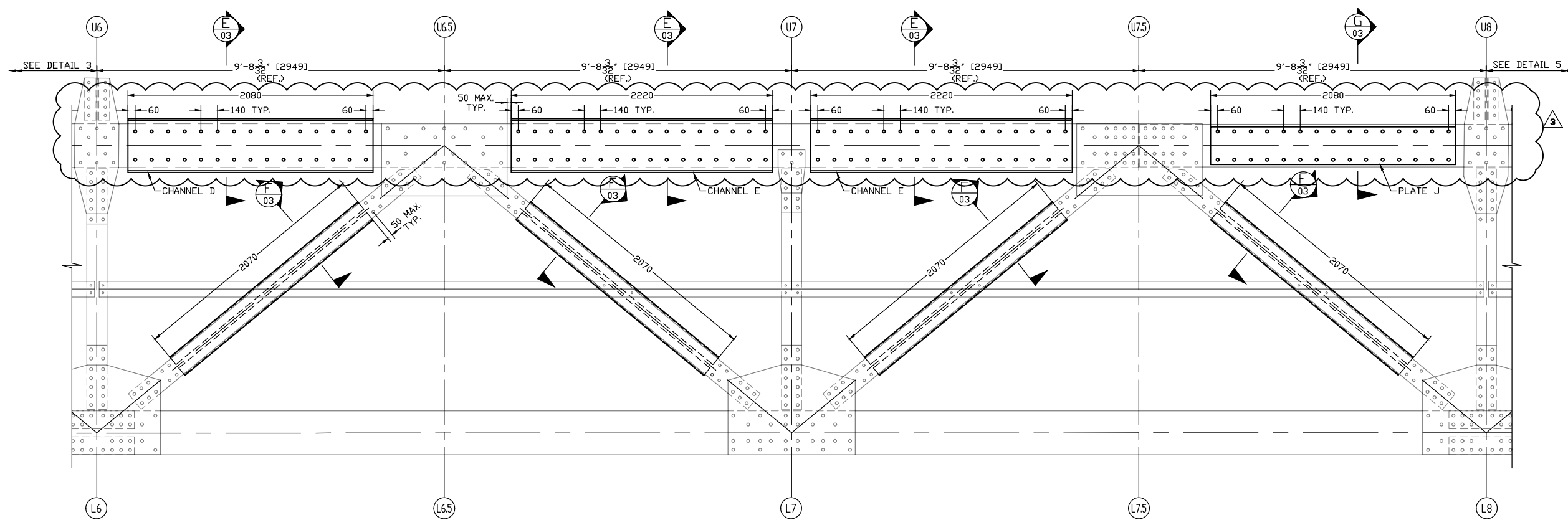
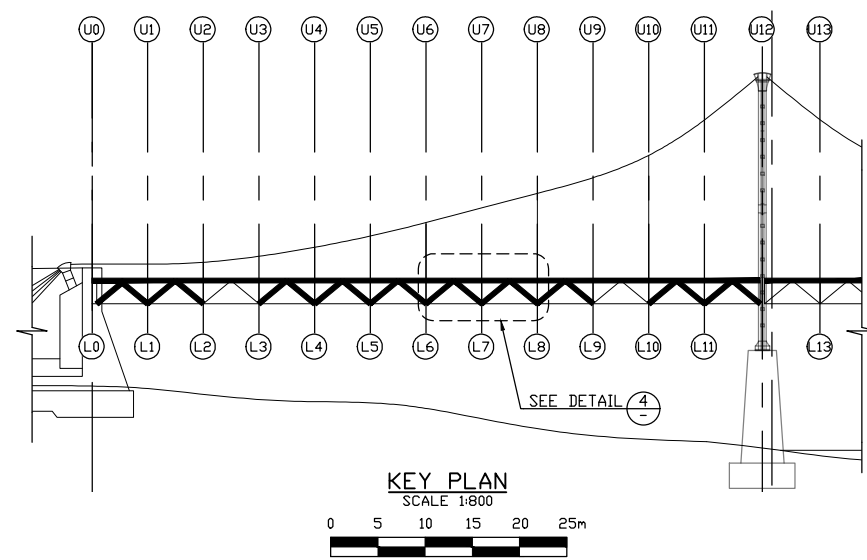
Drawn by/Dessiné par: **H.RYU / A.BAANG**

PWGSC Project Manager/Administrateur de Projets TPSGC: **R.AIOUCH**

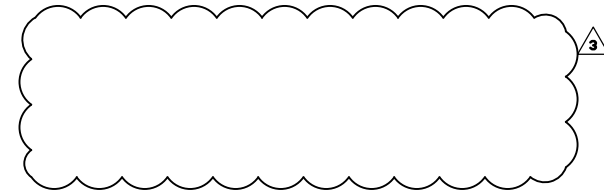
PWGSC, Regional Manager, Architectural and Engineering Services/ Gestionnaire régionale, Services d'architecture et de génie, TPSGC: **PWGSC-REG_MGR**

Drawing title/Titre du dessin: **SECTION DETAILS FOR STRENGTHENING PART 4 OF 13**

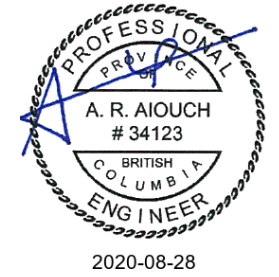
Project No./No. du projet: R.017173.355	Sheet/Fauille: 05 OF 14	Revision no./La Révision no.: 3
--	--------------------------------	--



LEGEND	
	EXISTING
	NEW ELEMENT
	BOLT



- NOTES:**
- FOR GENERAL NOTES, SEE DRAWING 01.
 - FOR SUGGESTED PROCEDURE AND NOTES, REFER TO DRAWING 02.



Revision/ Révision	Description/ Description	Date/ Date
5		
4		
3	ADDENDUM #1	20/08/27
2	RE-ISSUED FOR TENDER	20/05/15
1	ISSUED FOR TENDER	20/03/31
0	ISSUED FOR REVIEW	19/10/31

Client/client: PSPC CANADA

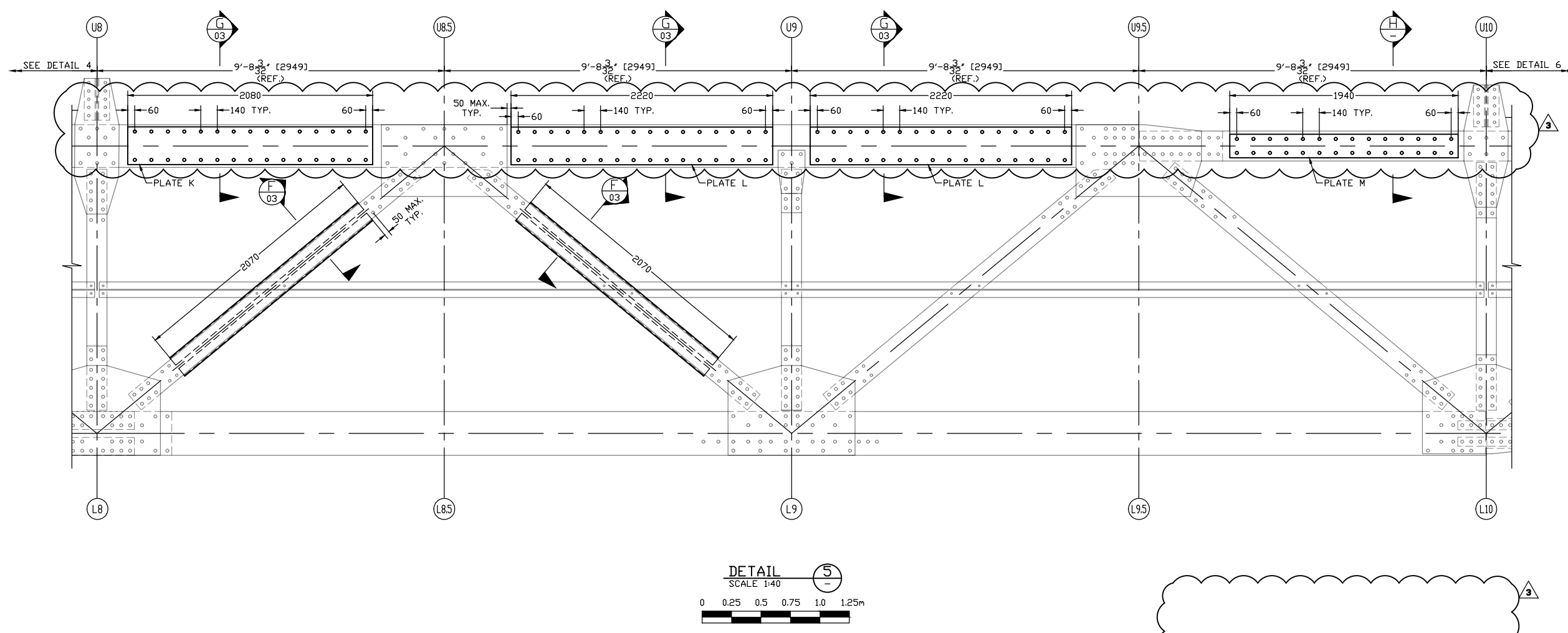
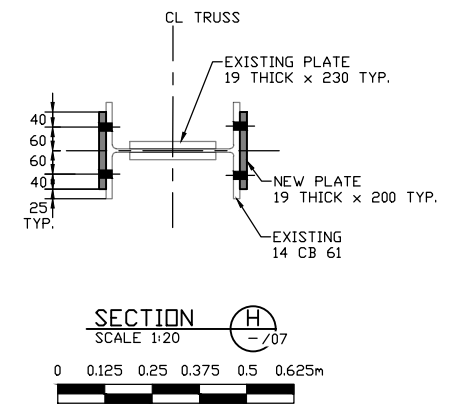
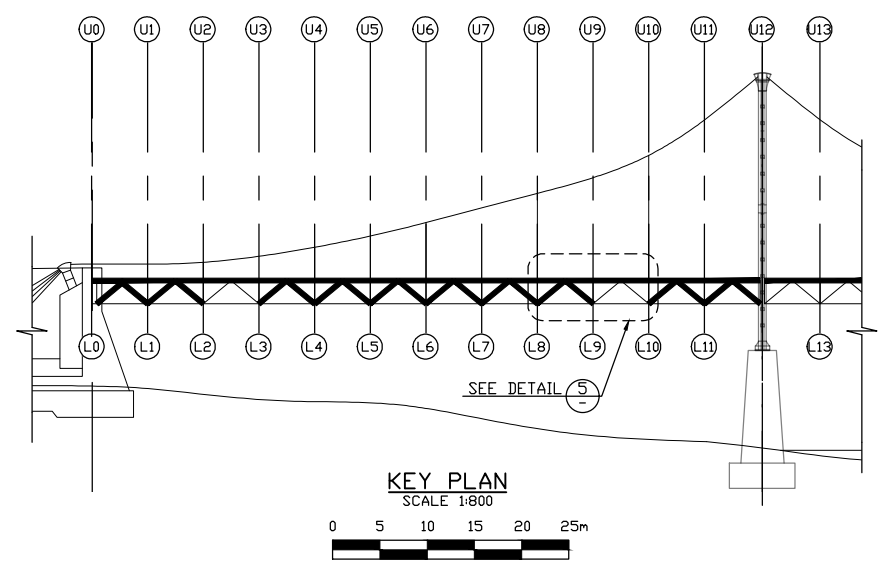


Project title/Titre du projet: LOWER LIARD RIVER BRIDGE STRENGTHENING, KM 763.3, ALASKA HIGHWAY, BC

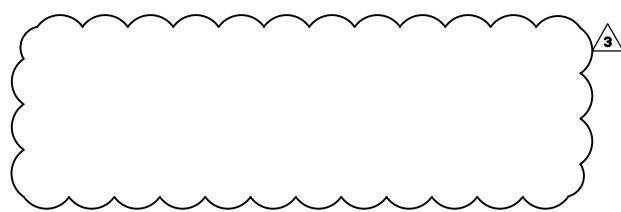
Consultant Signature Only
 Designed by/Concept par: A.KANSAL
 Drawn by/Dessiné par: H.RYU / A.BAANG
 PWGSC Project Manager/Administrateur de Projets TPSGC: R.AIOUCH
 PWGSC, Regional Manager, Architectural and Engineering Services/ Gestionnaire régionale, Services d'architecture et de génie, TPSGC: PWGSC-REG_MGR

Drawing title/Titre du dessin: SECTION DETAILS FOR STRENGTHENING PART 5 OF 13

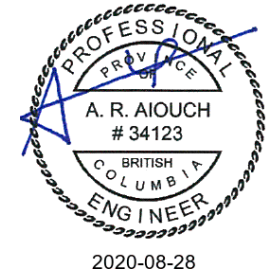
Project No./No. du projet: R.017173.355	Sheet/Fauille: 06 OF 14	Revision no./La Révision no.: 3
---	-------------------------	---------------------------------



LEGEND	
	EXISTING
	NEW ELEMENT
	BOLT



- NOTES:**
- FOR GENERAL NOTES, SEE DRAWING 01.
 - FOR SUGGESTED PROCEDURE AND NOTES, REFER TO DRAWING 02.



Revision/Revision	Description/Description	Date/Date
5		
4		
3	ADDENDUM #1	20/08/27
2	RE-ISSUED FOR TENDER	20/05/15
1	ISSUED FOR TENDER	20/03/31
0	ISSUED FOR REVIEW	19/10/31

Client/client: **PSPC CANADA**



Project title/Titre du projet: **LOWER LIARD RIVER BRIDGE STRENGTHENING, KM 763.3, ALASKA HIGHWAY, BC**

Consultant Signature Only

Designed by/Concept par: A.KANSAL

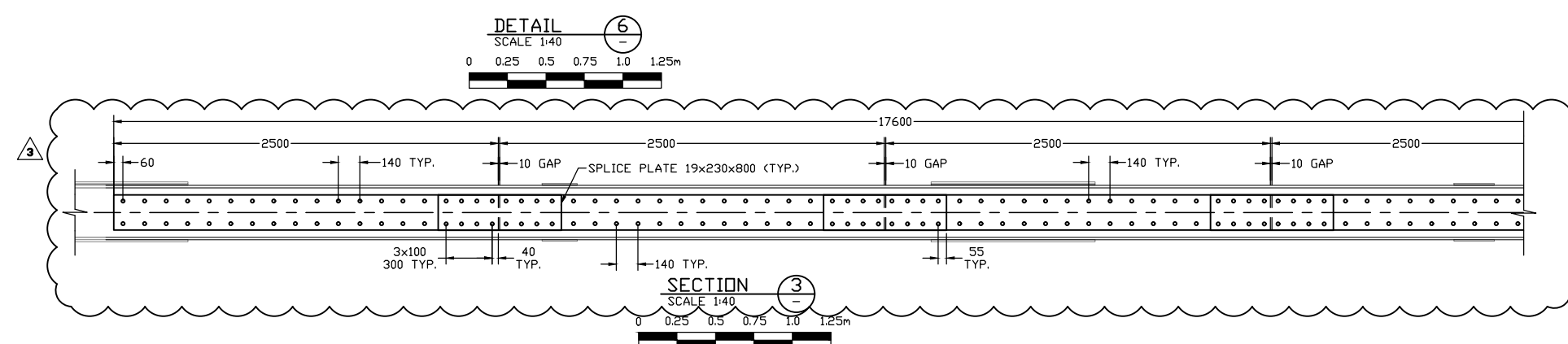
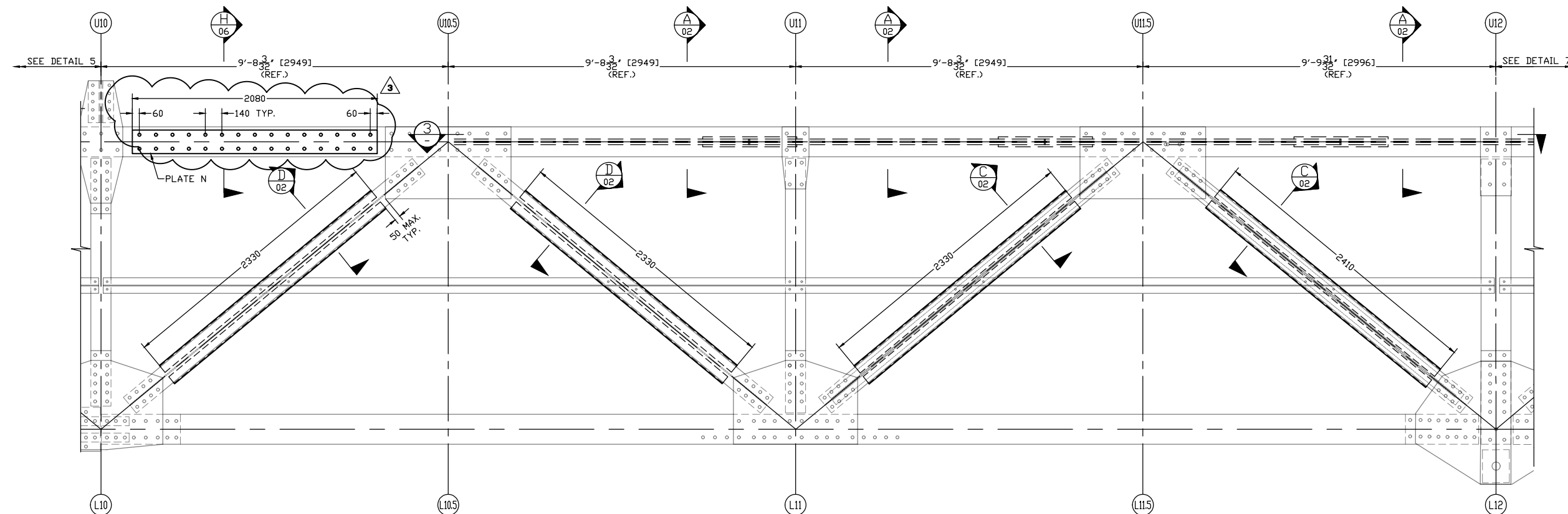
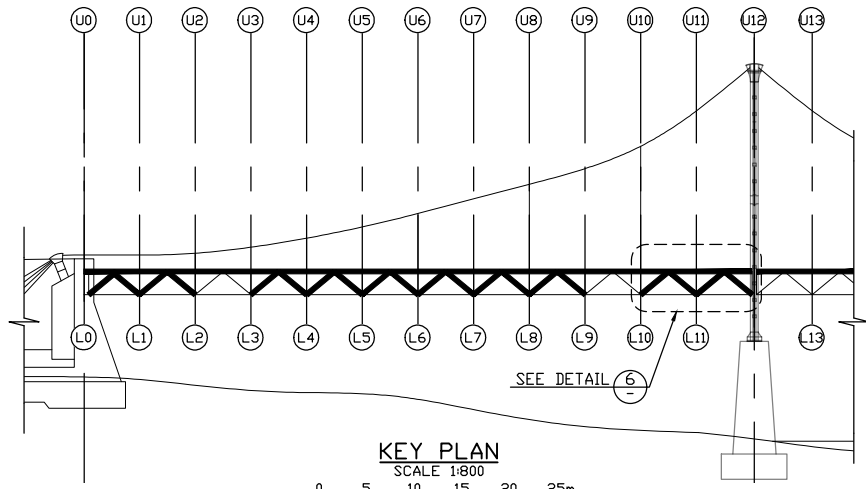
Drawn by/Dessiné par: H.RYU / A.BAANG

PWGSC Project Manager/Administrateur de Projets TPSGC: R.AIOUCH

PWGSC, Regional Manager, Architectural and Engineering Services/Gestionnaire régionale, Services d'architecture et de génie, TPSGC: PWGSC-REG_MGR

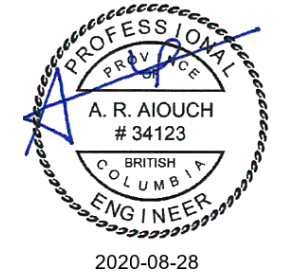
Drawing title/Titre du dessin: **SECTION DETAILS FOR STRENGTHENING PART 6 OF 13**

Project No./No. du projet: R.017173.355	Sheet/Fauille: 07 OF 14	Revision no./La Révision no.: 3
--	--------------------------------	--



LEGEND	
	EXISTING
	NEW ELEMENT
	BDLT

- NOTES:**
- FOR GENERAL NOTES SEE DRAWING 01.
 - FOR SUGGESTED PROCEDURE AND NOTES REFER TO DRAWING 02.



Revision/Revision	Description/Description	Date/Date
5		
4		
3	ADDENDUM #1	20/08/27
2	RE-ISSUED FOR TENDER	20/05/15
1	ISSUED FOR TENDER	20/03/31
0	ISSUED FOR REVIEW	19/10/31

Client/client
PSPC CANADA

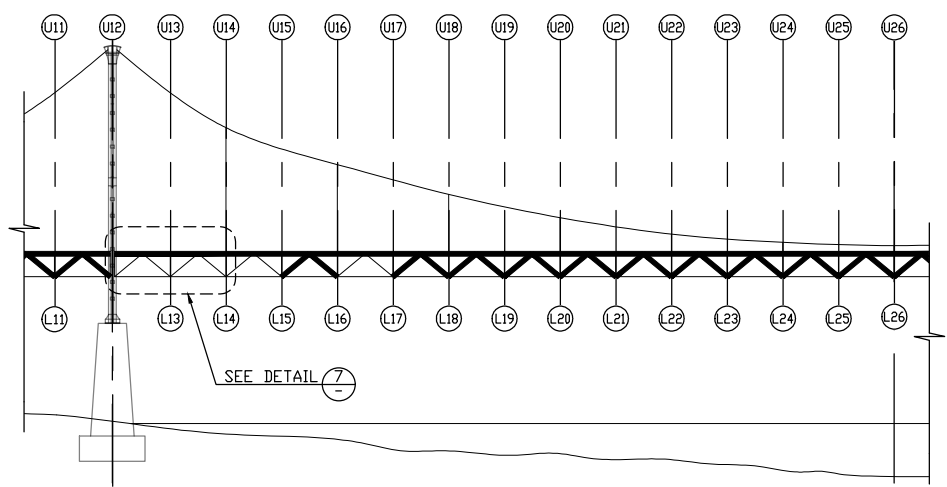


Project title/Titre du projet
LOWER LIARD RIVER BRIDGE STRENGTHENING, KM 763.3, ALASKA HIGHWAY, BC

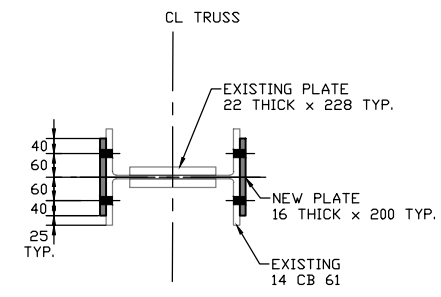
Consultant Signature Only
Designed by/Concept par: A.KANSAL
Drawn by/Dessiné par: H.RYU / A.BAANG
PWGSC Project Manager/Administrateur de Projets TPSGC: R.AIOUCH
PWGSC, Regional Manager, Architectural and Engineering Services / Gestionnaire régionale, Services d'architecture et de génie, TPSGC: PWGSC-REG_MGR

Drawing title/Titre du dessin
SECTION DETAILS FOR STRENGTHENING PART 7 OF 13

Project No./No. du projet R.017173.355	Sheet/Fauille 08 OF 14	Revision no./La Révision no. 3
--	-------------------------------------	--



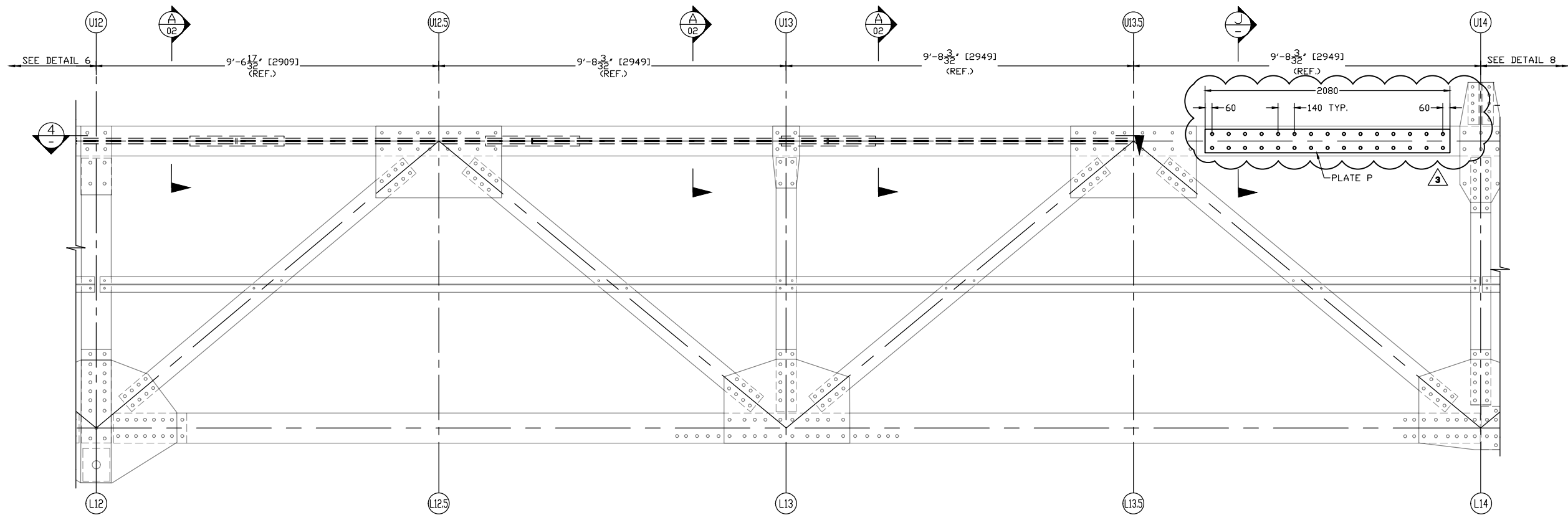
KEY PLAN
SCALE 1:800
0 5 10 15 20 25m



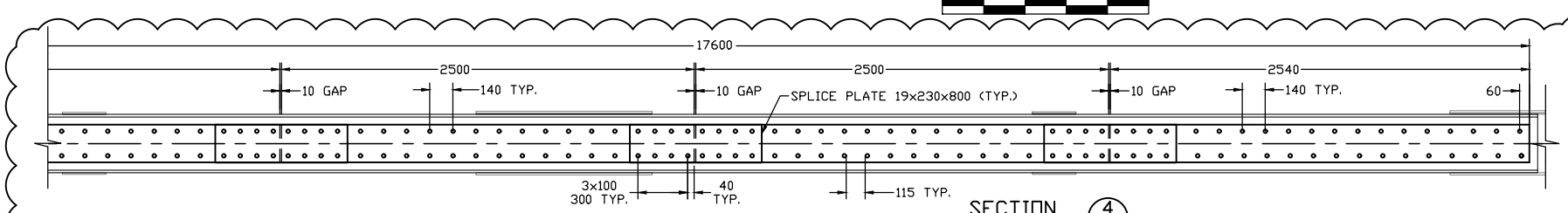
SECTION J
SCALE 1:20
0 0.125 0.25 0.375 0.5 0.625m

LEGEND

	EXISTING
	NEW ELEMENT
	BOLT

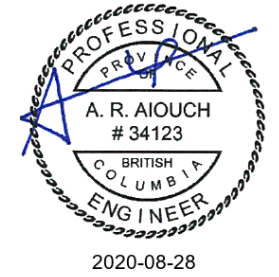


DETAIL 7
SCALE 1:40
0 0.25 0.5 0.75 1.0 1.25m



SECTION 4
SCALE 1:40
0 0.25 0.5 0.75 1.0 1.25m

- NOTES:**
- FOR GENERAL NOTES SEE DRAWING 01.
 - FOR SUGGESTED PROCEDURE AND NOTES REFER TO DRAWING 02.



Revision/Revision	Description/Description	Date/Date
5		
4		
3	ADDENDUM #1	20/08/27
2	RE-ISSUED FOR TENDER	20/05/15
1	ISSUED FOR TENDER	20/03/31
0	ISSUED FOR REVIEW	19/10/31

Client/client: PSPC CANADA

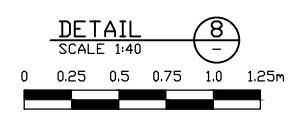
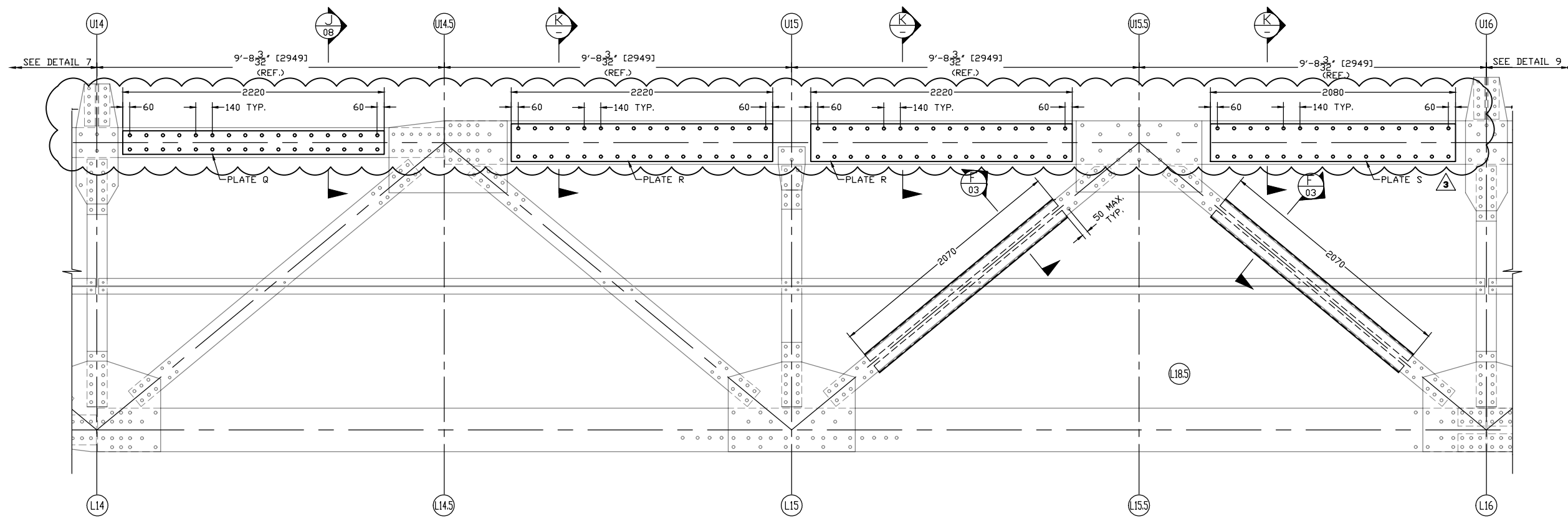
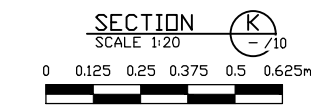
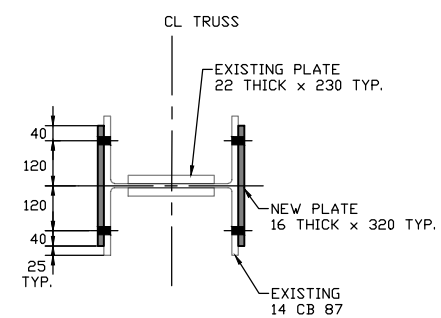
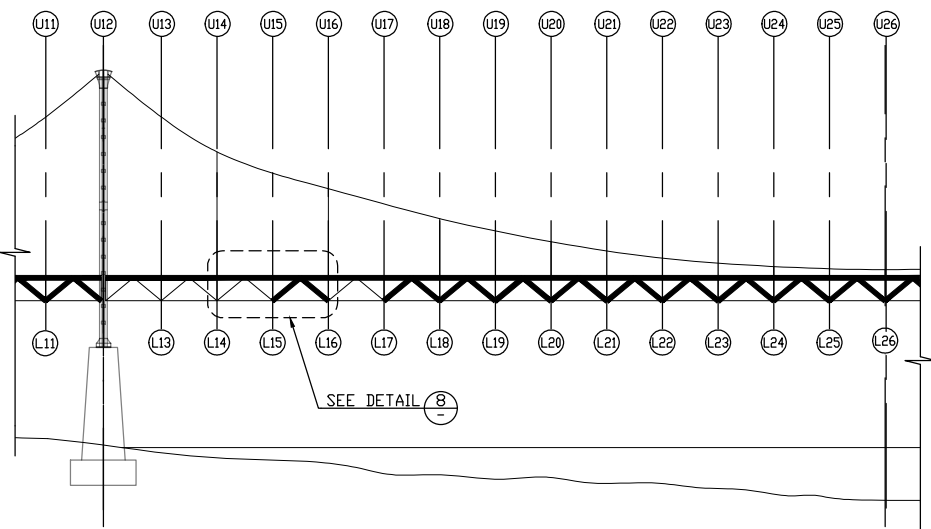


Project title/Titre du projet: LOWER LIARD RIVER BRIDGE STRENGTHENING, KM 763.3, ALASKA HIGHWAY, BC

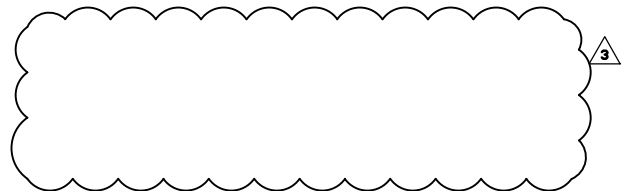
Consultant Signature Only
 Designed by/Concept par: A.KANSAL
 Drawn by/Dessiné par: H.RYU / A.BAANG
 PWGSC Project Manager/Administrateur de Projets TPSGC: R.AIOUCH
 PWGSC, Regional Manager, Architectural and Engineering Services / Gestionnaire régionale, Services d'architecture et de génie, TPSGC: PWGSC-REG_MGR

Drawing title/Titre du dessin: SECTION DETAILS FOR STRENGTHENING PART 8 OF 13

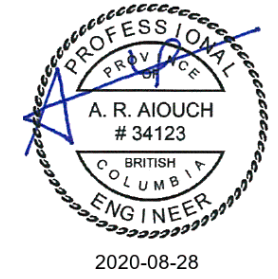
Project No./No. du projet	Sheet/Fauille	Revision no./La Révision no.
R.017173.355	09 OF 14	3



LEGEND	
	EXISTING
	NEW ELEMENT
	BOLT



- NOTES:**
- FOR GENERAL NOTES SEE DRAWING 01.
 - FOR SUGGESTED PROCEDURE AND NOTES REFER TO DRAWING 02.



Revision/Revision	Description/Description	Date/Date
5		
4		
3	ADDENDUM #1	20/08/27
2	RE-ISSUED FOR TENDER	20/05/15
1	ISSUED FOR TENDER	20/03/31
0	ISSUED FOR REVIEW	19/10/31

Client/client: PSPC CANADA

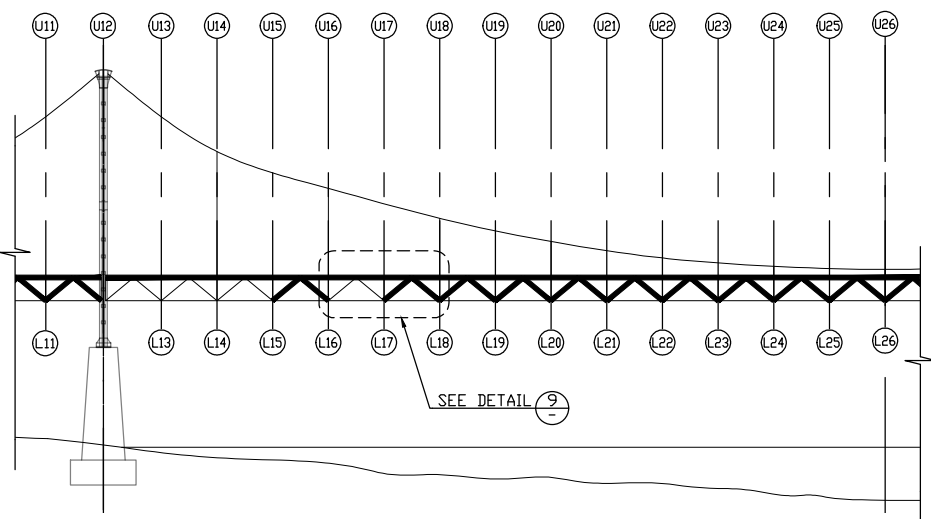


Project title/Titre du projet: LOWER LIARD RIVER BRIDGE STRENGTHENING, KM 763.3, ALASKA HIGHWAY, BC

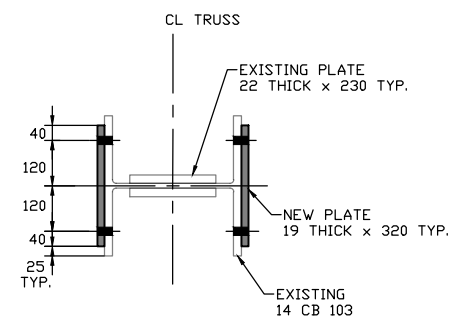
Consultant Signature Only
 Designed by/Concept par: A.KANSAL
 Drawn by/Dessiné par: H.RYU / A.BAANG
 PWGSC Project Manager/Administrateur de Projets TPSGC: R.AIOUCH
 PWGSC, Regional Manager, Architectural and Engineering Services/Gestionnaire régionale, Services d'architecture et de génie, TPSGC: PWGSC-REG_MGR

Drawing title/Titre du dessin: SECTION DETAILS FOR STRENGTHENING PART 9 OF 13

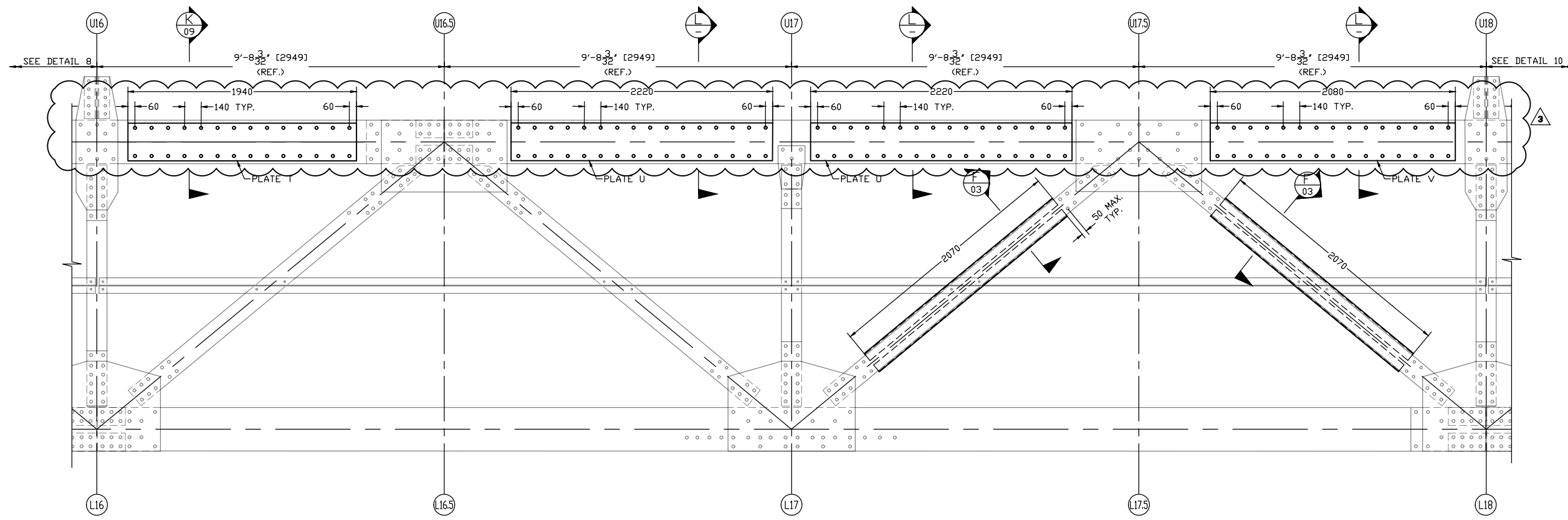
Project No./No. du projet: R.017173.355	Sheet/Fauille: 10 OF 14	Revision no./La Révision no.: 3
---	-------------------------	---------------------------------



KEY PLAN
SCALE 1:800
0 5 10 15 20 25m

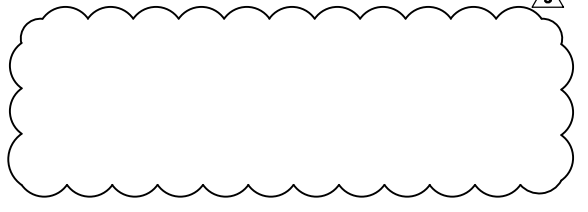


SECTION
SCALE 1:20
0 0.125 0.25 0.375 0.5 0.625m

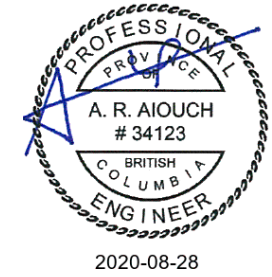


DETAIL
SCALE 1:40
0 0.25 0.5 0.75 1.0 1.25m

LEGEND	
	EXISTING
	NEW ELEMENT
	BOLT



- NOTES:
- FOR GENERAL NOTES SEE DRAWING 01.
 - FOR SUGGESTED PROCEDURE AND NOTES REFER TO DRAWING 02.



Revision/ Révision	Description/ Description	Date/ Date
5		
4		
3	ADDENDUM #1	20/08/27
2	RE-ISSUED FOR TENDER	20/05/15
1	ISSUED FOR TENDER	20/03/31
0	ISSUED FOR REVIEW	19/10/31

Client/client: PSPC CANADA

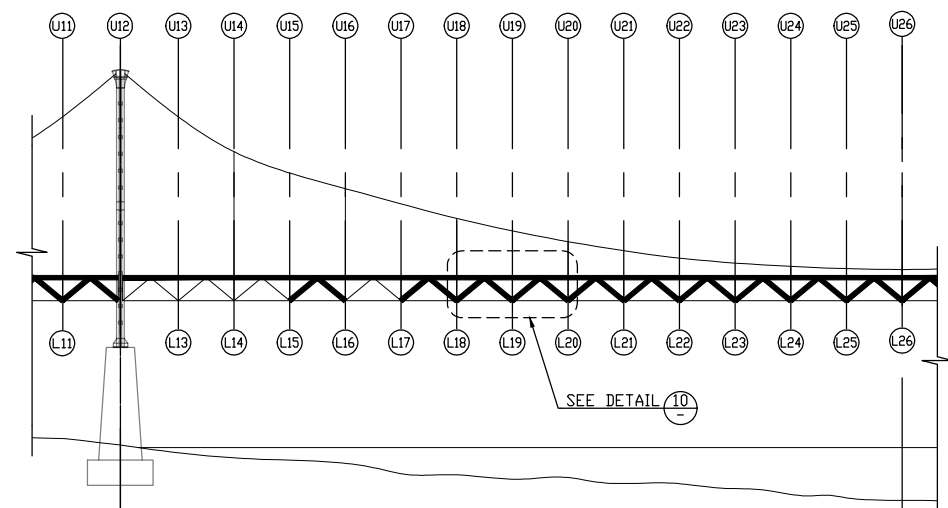


Project title/Titre du projet: LOWER LIARD RIVER BRIDGE STRENGTHENING, KM 763.3, ALASKA HIGHWAY, BC

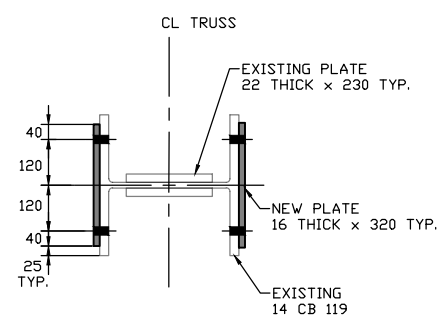
Consultant Signature Only
 Designed by/Concept par: A.KANSAL
 Drawn by/Dessiné par: H.RYU / A.BAANG
 PWGSC Project Manager/Administrateur de Projets TPSGC: R.AIOUCH
 PWGSC, Regional Manager, Architectural and Engineering Services/ Gestionnaire régionale, Services d'architecture et de génie, TPSGC: PWGSC-REG_MGR

Drawing title/Titre du dessin: SECTION DETAILS FOR STRENGTHENING PART 10 OF 13

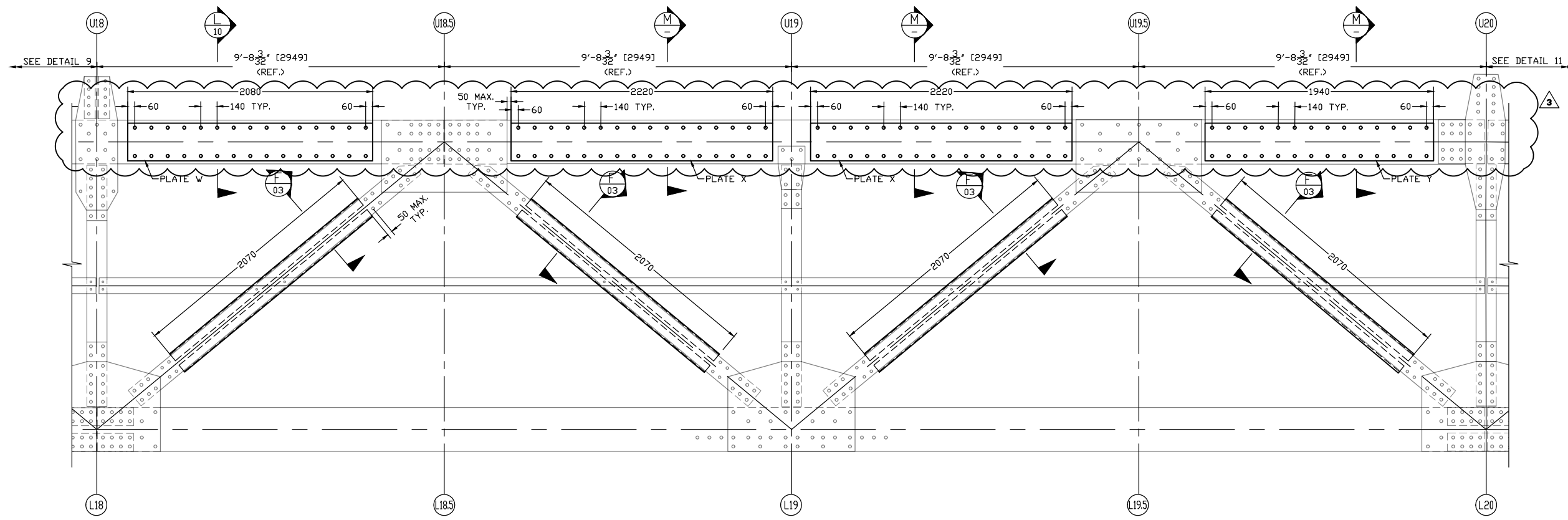
Project No./No. du projet	Sheet/Fauille	Revision no./ La Révision no.
R.017173.355	11 OF 14	3



KEY PLAN
SCALE 1:800
0 5 10 15 20 25m



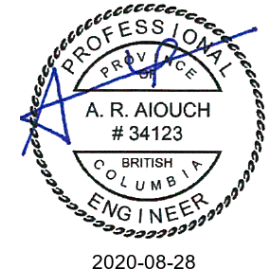
SECTION M
SCALE 1:20
0 0.125 0.25 0.375 0.5 0.625m



DETAIL 10
SCALE 1:40
0 0.25 0.5 0.75 1.0 1.25m

LEGEND	
	EXISTING
	NEW ELEMENT
	BDLT

NOTES:
 1. FOR GENERAL NOTES SEE DRAWING 01.
 2. FOR SUGGESTED PROCEDURE AND NOTES REFER TO DRAWING 02.



5		
4		
3	ADDENDUM #1	20/08/27
2	RE-ISSUED FOR TENDER	20/05/15
1	ISSUED FOR TENDER	20/03/31
0	ISSUED FOR REVIEW	19/10/31
Revision/ Révision	Description/Description	Date/Date

Client/client		
PSPC CANADA		



Project title/Titre du projet

**LOWER LIARD RIVER BRIDGE
STRENGTHENING, KM 763.3,
ALASKA HIGHWAY, BC**

Consultant Signature Only

Designed by/Concept par
A.KANSAL

Drawn by/Dessiné par
H.RYU / A.BAANG

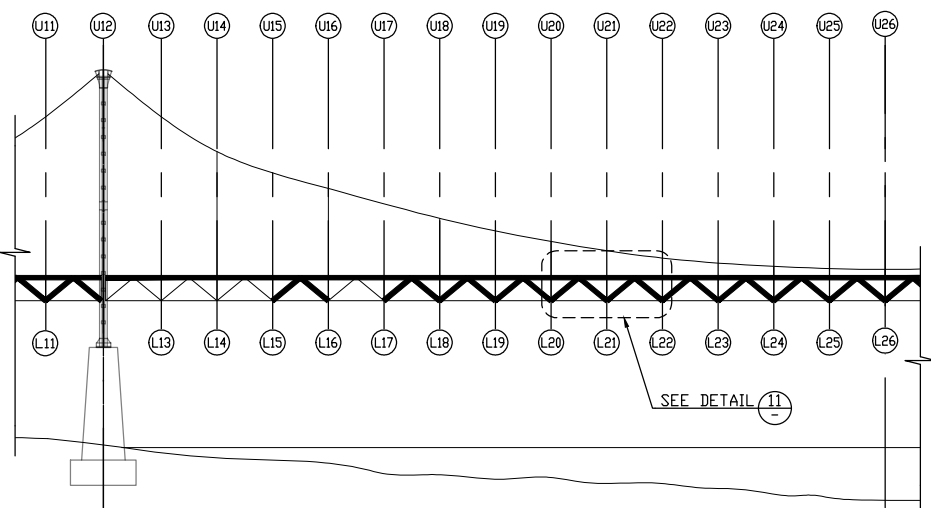
PWGC Project Manager/Administrateur de Projets TPSGC
R.AIOUCH

PWGC, Regional Manager, Architectural and Engineering Services/
Gestionnaire régionale, Services d'architecture et de génie, TPSGC
PWGC-REG_MGR

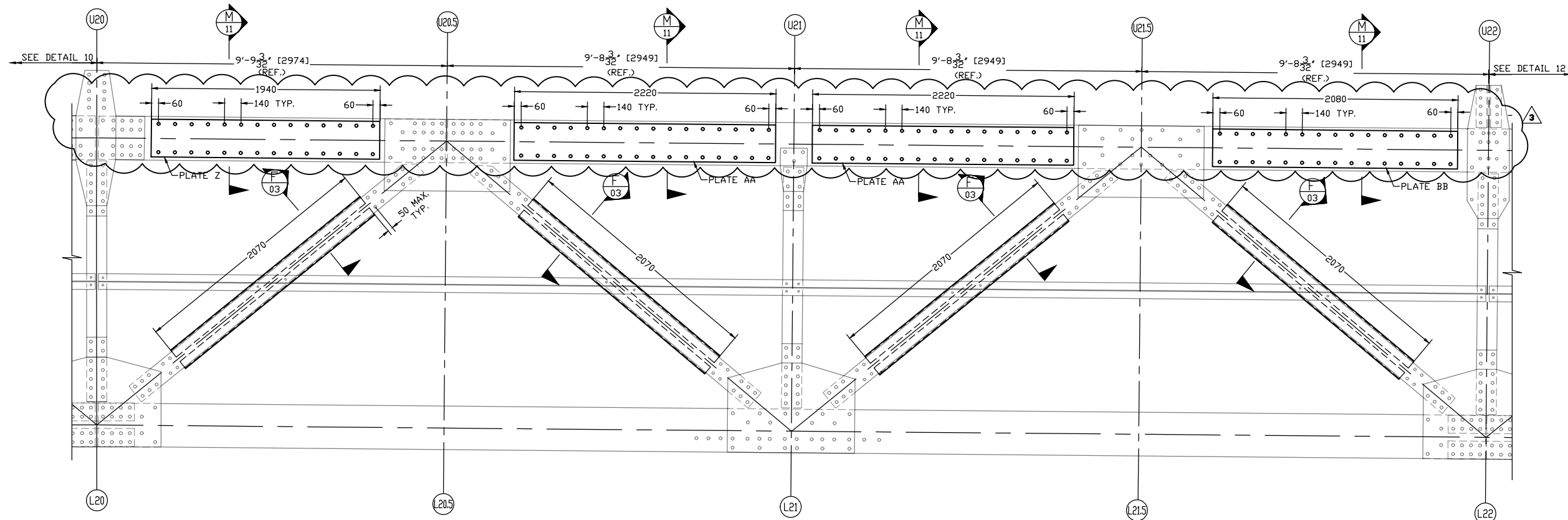
Drawing title/Titre du dessin

**SECTION DETAILS
FOR STRENGTHENING
PART 11 OF 13**

Project No./No. du projet	Sheet/Fauille	Revision no./ La Révision no.
R.017173.355	12 OF 14	3



KEY PLAN
SCALE 1:800

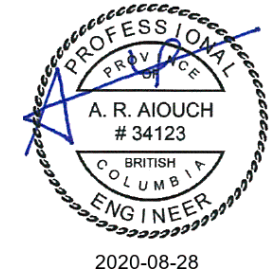


DETAIL 11
SCALE 1:40

LEGEND	
	EXISTING
	NEW ELEMENT
	BDLT

NOTES:

- FOR GENERAL NOTES SEE DRAWING 01.
- FOR SUGGESTED PROCEDURE AND NOTES REFER TO DRAWING 02.



Revision/ Révision	Description/ Description	Date/ Date
5		
4		
3	ADDENDUM #1	20/08/27
2	RE-ISSUED FOR TENDER	20/05/15
1	ISSUED FOR TENDER	20/03/31
0	ISSUED FOR REVIEW	19/10/31

Client/client: **PSPC CANADA**



Project title/Titre du projet: **LOWER LIARD RIVER BRIDGE STRENGTHENING, KM 763.3, ALASKA HIGHWAY, BC**

Consultant Signature Only

Designed by/Concept par: **A.KANSAL**

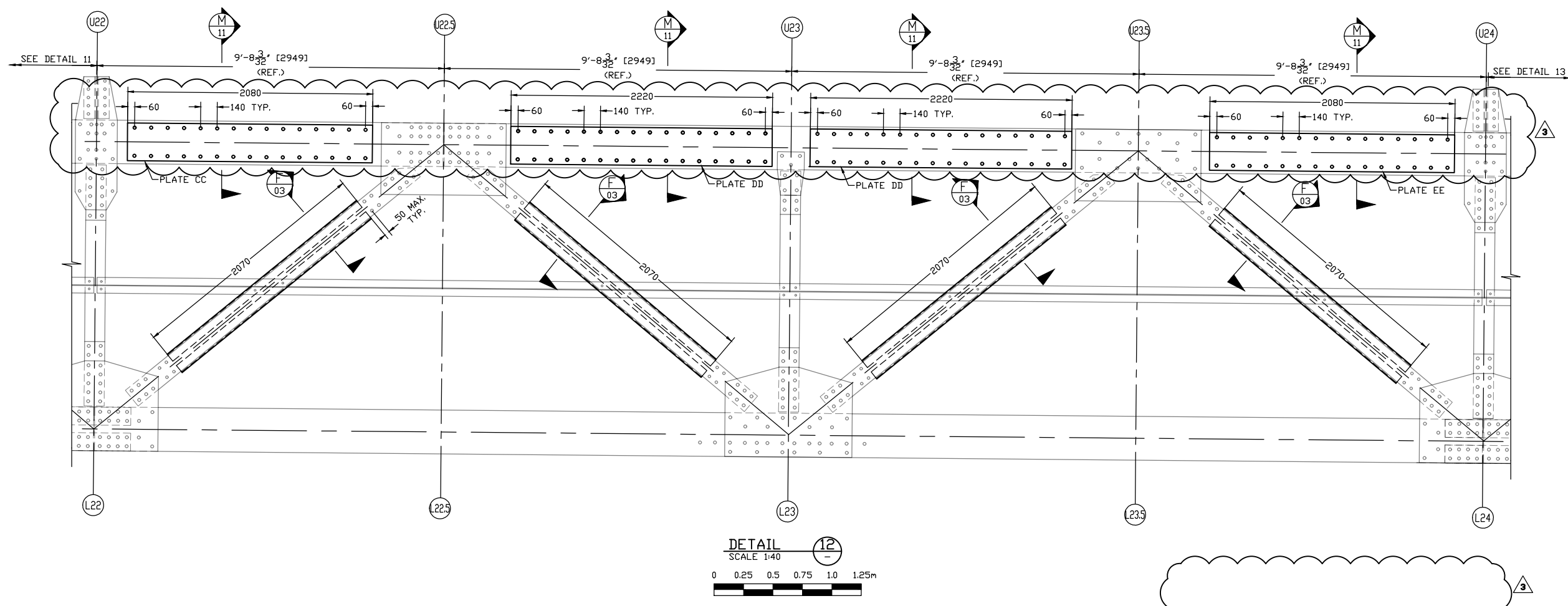
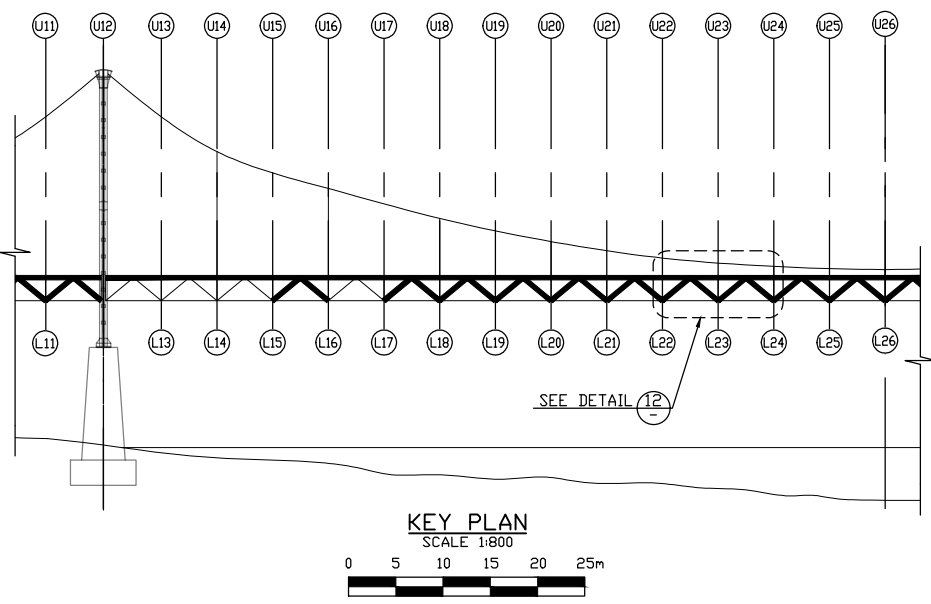
Drawn by/Dessiné par: **H.RYU / A.BAANG**

PWGC Project Manager/Administrateur de Projets TPSGC: **R.AIOUCH**

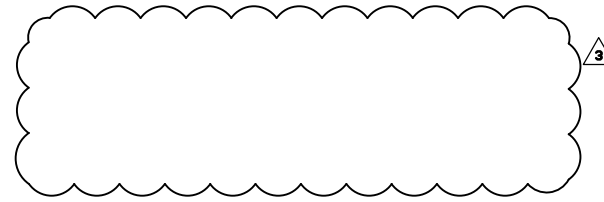
PWGC, Regional Manager, Architectural and Engineering Services/ Gestionnaire régionale, Services d'architecture et de génie, TPSGC: **PWGC-REG_MGR**

Drawing title/Titre du dessin: **SECTION DETAILS FOR STRENGTHENING PART 12 OF 13**

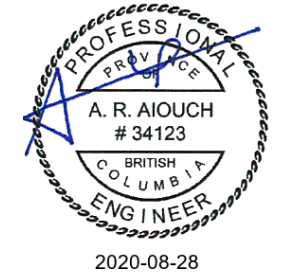
Project No./No. du projet: R.017173.355	Sheet/Fauille: 13 OF 14	Revision no./La Révision no.: 3
--	--------------------------------	--



LEGEND	
	EXISTING
	NEW ELEMENT
	BDLT



- NOTES:**
- FOR GENERAL NOTES SEE DRAWING 01.
 - FOR SUGGESTED PROCEDURE AND NOTES REFER TO DRAWING 02.



Revision/Revision	Description/Description	Date/Date
5		
4		
3	ADDENDUM #1	20/08/27
2	RE-ISSUED FOR TENDER	20/05/15
1	ISSUED FOR TENDER	20/03/31
0	ISSUED FOR REVIEW	19/10/31

Client/client: **PSPC CANADA**



Project title/Titre du projet: **LOWER LIARD RIVER BRIDGE STRENGTHENING, KM 763.3, ALASKA HIGHWAY, BC**

Consultant Signature Only

Designed by/Concept par: **A.KANSAL**

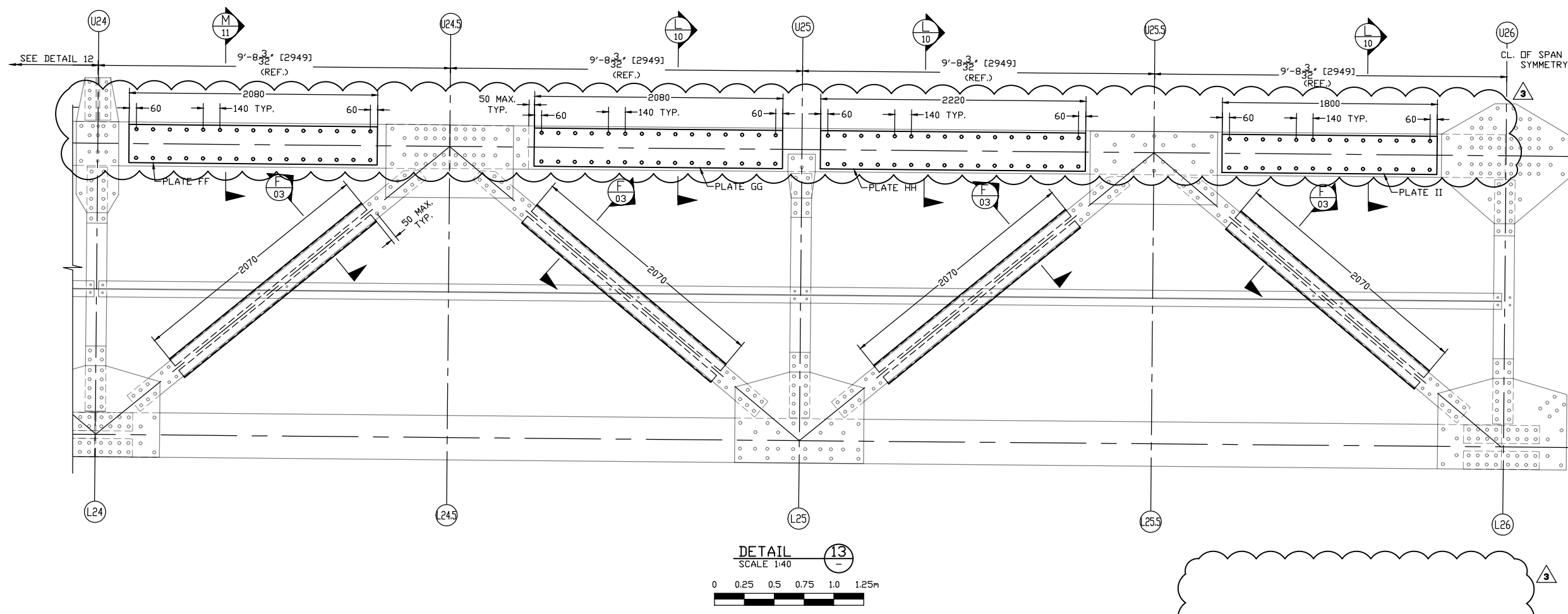
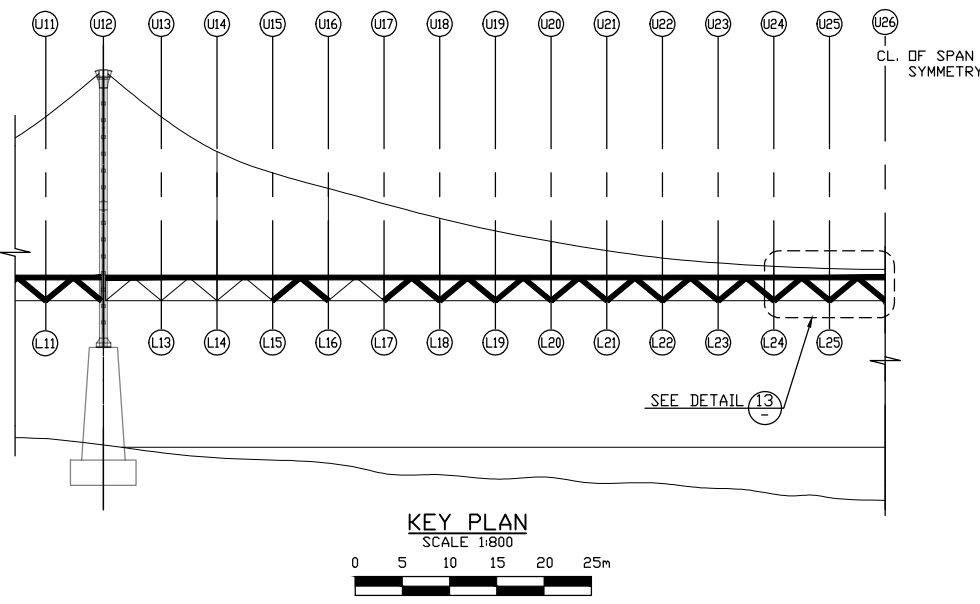
Drawn by/Dessiné par: **H.RYU / A.BAANG**

PWGSC Project Manager/Administrateur de Projets TPSGC: **R.AIOUCH**

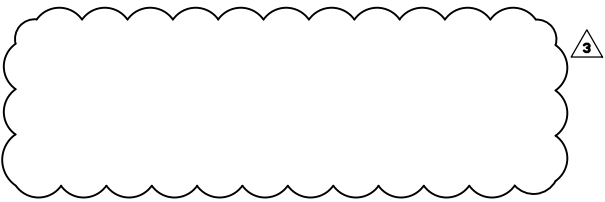
PWGSC, Regional Manager, Architectural and Engineering Services/Gestionnaire régionale, Services d'architecture et de génie, TPSGC: **PWGSC-REG_MGR**

Drawing title/Titre du dessin: **SECTION DETAILS FOR STRENGTHENING PART 13 OF 13**

Project No./No. du projet: R.017173.355	Sheet/Fauille: 14 OF 14	Revision no./La Révision no.: 3
--	-----------------------------------	--



LEGEND	
	EXISTING
	NEW ELEMENT
	BOLT



- NOTES:**
- FOR GENERAL NOTES SEE DRAWING 01.
 - FOR SUGGESTED PROCEDURE AND NOTES REFER TO DRAWING 02.