

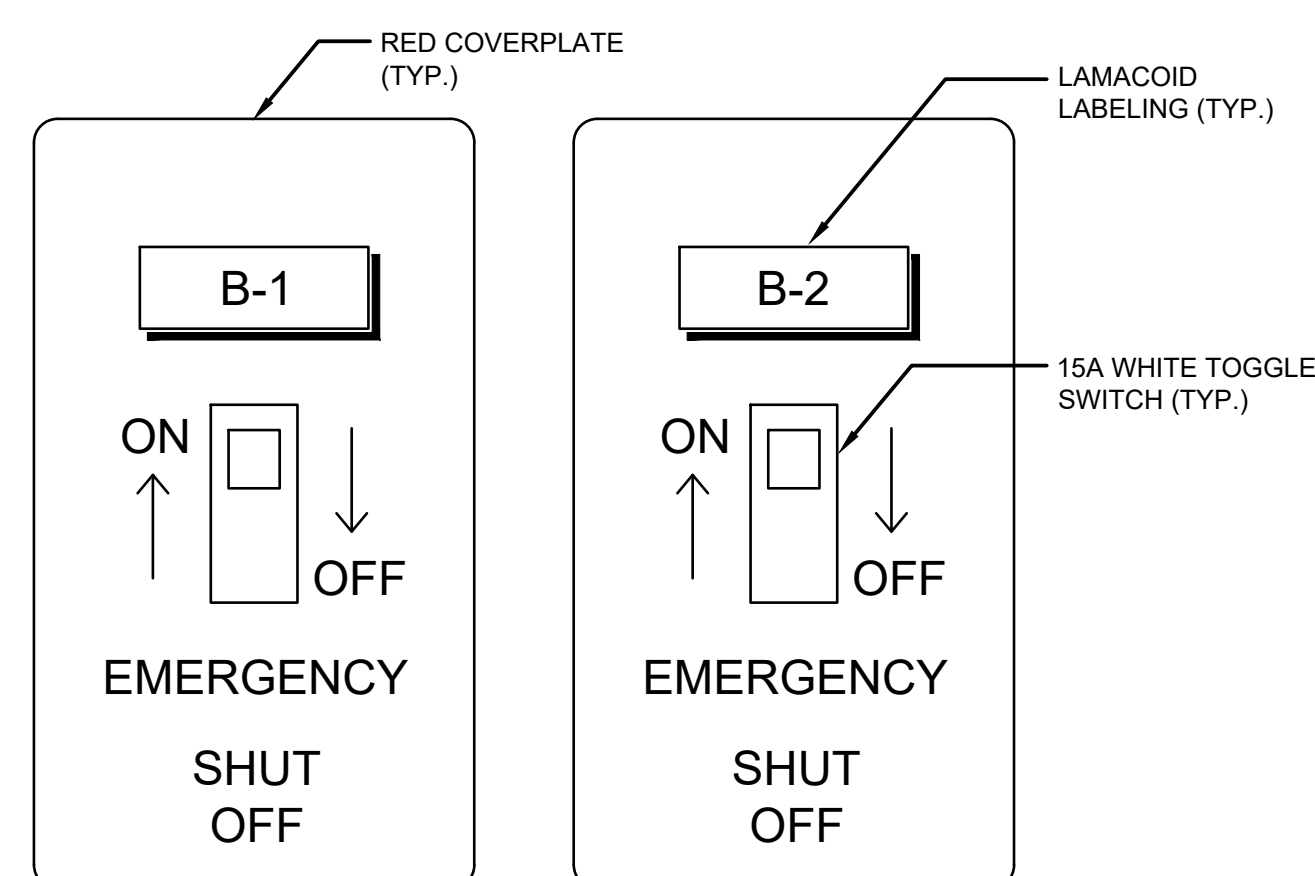
1 MAIN FLOOR PLAN - NEW
SCALE: 1:100mm

GENERAL NOTES:

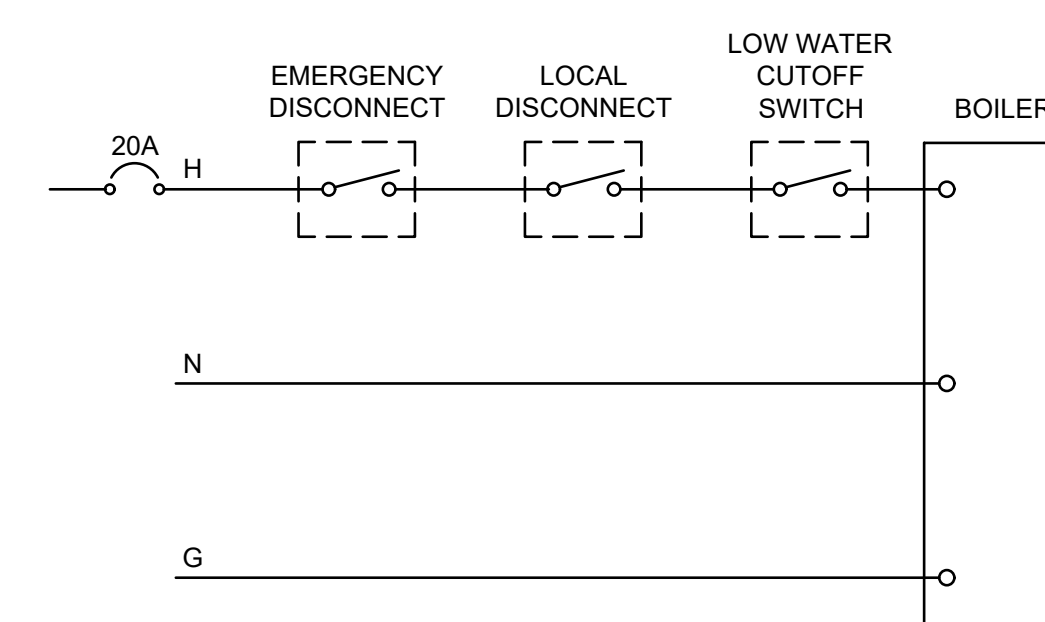
- REFER TO MECHANICAL DRAWINGS FOR EXACT LOCATION OF MECHANICAL EQUIPMENT.
- PROVIDE ELECTRICAL CONNECTIONS TO LINE VOLTAGE CONTROL DEVICES SUCH AS LOW WATER CUTOFF SWITCHES AS REQUIRED.
- EXISTING FIRE ALARM SYSTEM IS AN EDWARDS 'EST-6616' CONVENTIONAL SYSTEM.
- GARAGE AREA (1.26) IS EQUIPPED WITH AN EXISTING CO DETECTION SYSTEM.

KEYNOTES:

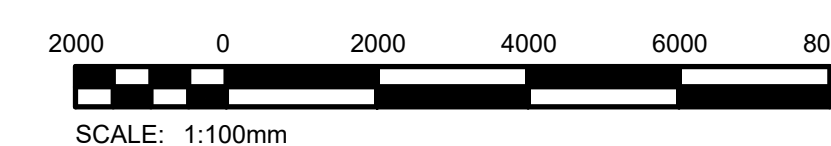
- PROVIDE EMERGENCY SHUTOFF SWITCHES FOR EACH BOILER AS PER DETAIL 'A' (2x TOTAL). LOCATE NEXT TO THE DOOR ON THE OUTSIDE OF ROOM 1.19. COORDINATE EMERGENCY STOP WIRING WITH BOILER SHOP DRAWINGS.
- PROVIDE A NEW CO DETECTOR WITHIN MECHANICAL ROOM (1.19) COMPLETE WITH FIRE ALARM MONITORING AND LOCAL ALARM. SUPPLY AND INSTALL NEW FIRE ALARM ZONE CARD, CONDUIT, REQUIRED DEVICES, AND WIRING BACK TO THE EXISTING MAIN FIRE ALARM CONTROL PANEL. INSTALL DEVICES PER CAN/ULC-S524 AND PROVIDE A PARTIAL FIRE ALARM VI REPORT PER CAN/ULC-S537.



A EMERGENCY BOILER SHUTOFF SWITCHES
SCALE: N.T.S.



B TYPICAL BOILER WIRING DIAGRAM
SCALE: N.T.S.



Revision	Description	Date
1	Issued for Construction	2020/09/23
0	Issued for Tender	2020/03/23

Client: DFO CENTRAL AND ARCTIC REGION

Project: CANADIAN COAST GUARD BASE
SELKIRK, MANITOBA

Project: HVAC REFURBISHMENT

Designed by: SDC
Drawn by: SDC
Approved by: CLS

DFO Project Manager: ALDIN JANSEN
Administrateur de Projets MPO

Drawing title: ELECTRICAL MAIN FLOOR PLAN NEW

Project no./No. du projet	Drawing no./No. du dessin	Revision no.
	E03	1
	OF 4	