



Mangat Environmental Solution Inc.



(Signature)

Revision/	Description/Description	Date/Date
5		
4	REVISED ISSUED FOR TENDER	20/09/29
3	REVISED ISSUED FOR TENDER	20/06/26
2	REVISED ISSUED FOR TENDER	20/05/13
1	ISSUED FOR TENDER	19/11/30
0	ISSUED FOR 75% REVIEW	19/08/20

Client/client

FISHERIES AND OCEANS

Project title/Titre du projet

**INSTITUTE OF OCEAN SCIENCES (IOS)
MARINE FACILITY WATER
SYSTEM UPGRADE**

Consultant Signature Only

Designed by/Concept par
SUNNY MANGAT / AUGUST 20, 2019

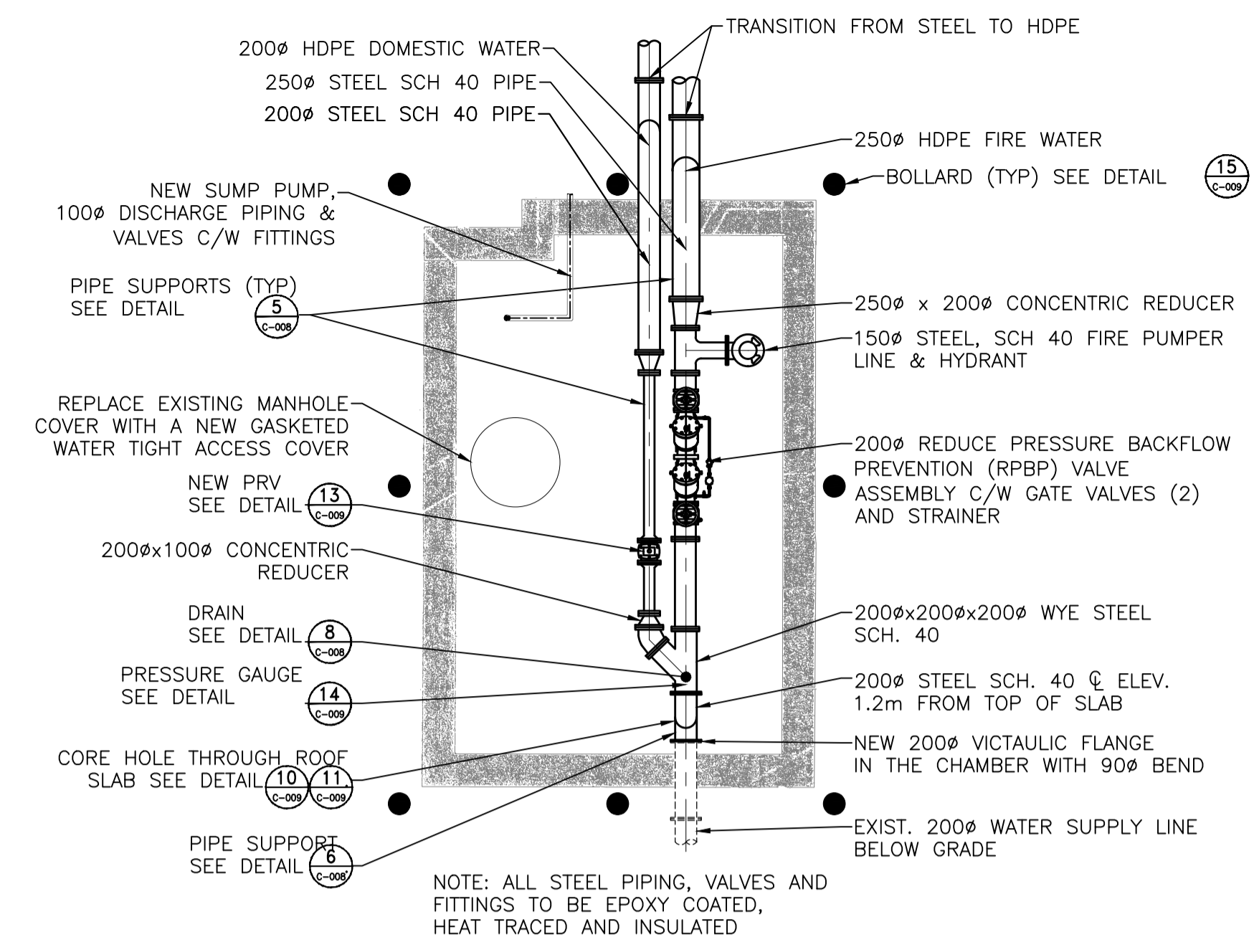
Drawn by/Dessiné par
A.LJEFITSEV / AUGUST 20, 2019
DFO Project Manager/Administrateur de Projets TPSOC
MICHAEL LANG

Regional Manager, Architectural and Engineering Services
Gestionnaire régionale, Services d'architecture et de génie, TPSOC

Drawing title/Titre du dessin

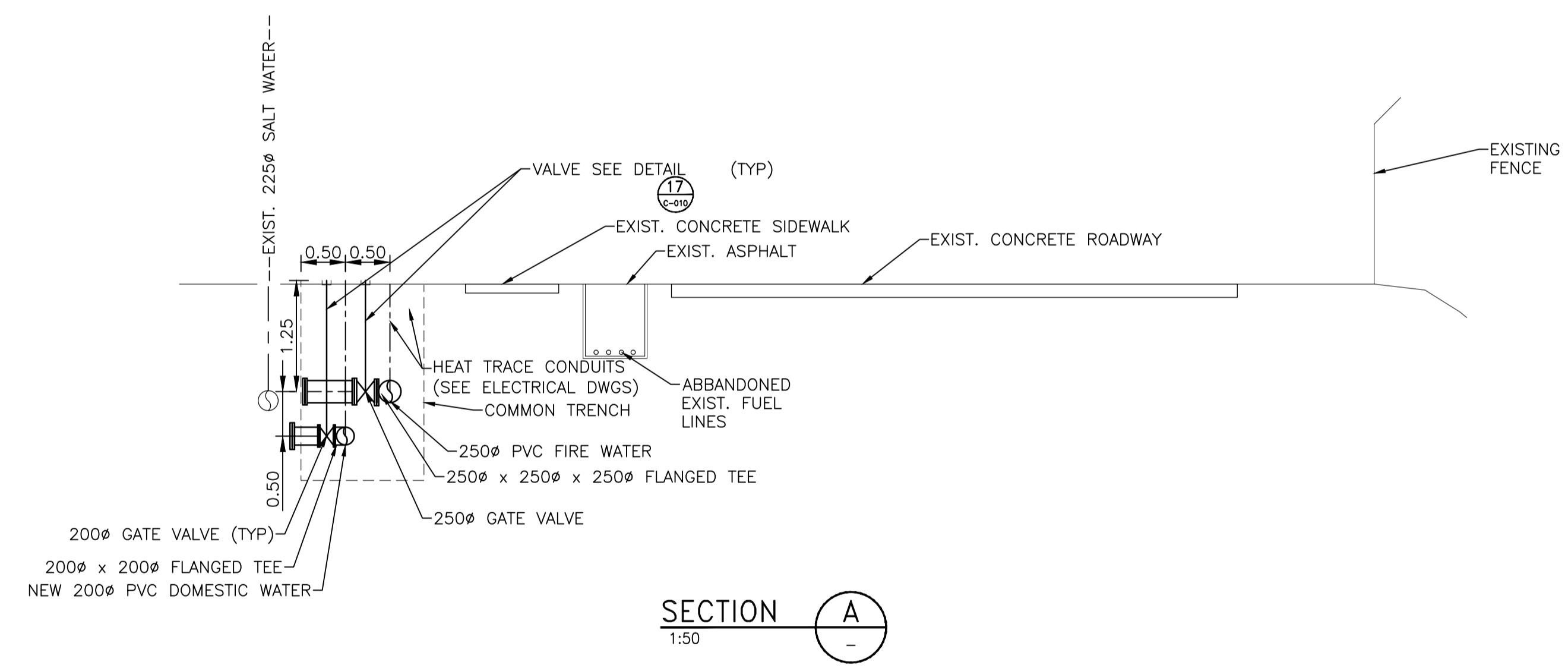
**SECTIONS AND DETAILS-
CAUSEWAY AND FLOATS**

Project No./No. du projet	Sheet/Feuille	Revision no./La Révision no.
DFO: F1700 - 195255	C-007 OF 10	4

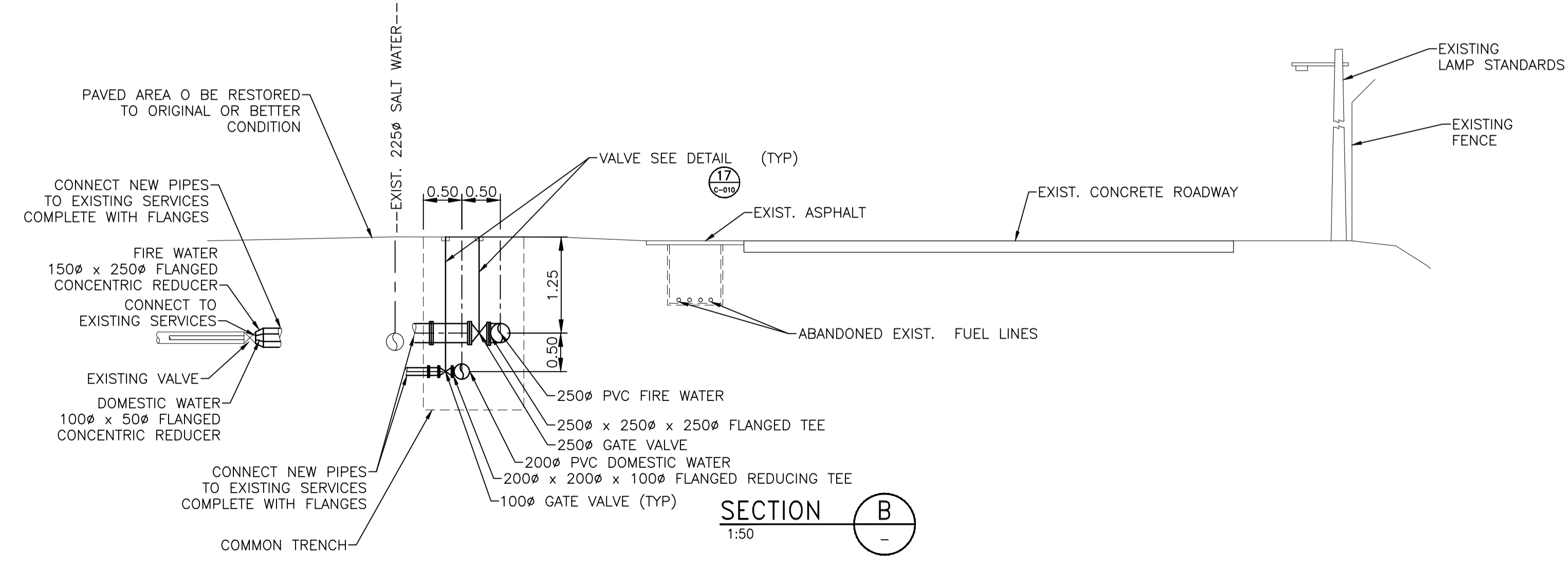


VALVE CHAMBER - PLAN

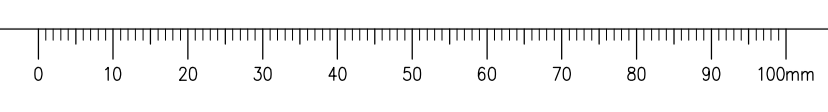
DETAIL 1
1:50



SECTION A
1:50



SECTION B
1:50



LAST SAVE: 2020/09/20 - 1:12pm
PATH: C:\Users\Surface Pro 3\OneDrive\Projects\VE 4601 - DFO IOS Water Line\000-CADD\CADD WIP\CIV\C-007 2019 08 20.dwg