

MECHANICAL LEGEND	
	NON-POTABLE WATER SERVICE (BY OTHERS)
	ISOLATION VALVE
	FLOAT PEDESTAL (BY DIV. 26)

Public Works and Government Services Canada / Travaux publics et Services gouvernementaux Canada  
**REAL PROPERTY SERVICES**  
 Pacific Region  
**SERVICES IMMOBILIERS**  
 Région de Pacifique



Stantec Consulting Ltd.  
 www.stantec.com  
 STANTEC PROJECT NO.: 115615284 TSK200

Record Drawing  
 These drawings have been prepared based on information provided by others. Stantec has not verified the accuracy and/or completeness of this information and shall not be responsible for any errors or omissions which may be incorporated herein as a result.

Revision/	Description/Description	Date/Date
5		
4		
3		
2		
1		
0	ISSUED FOR RECORD	2019.05.15

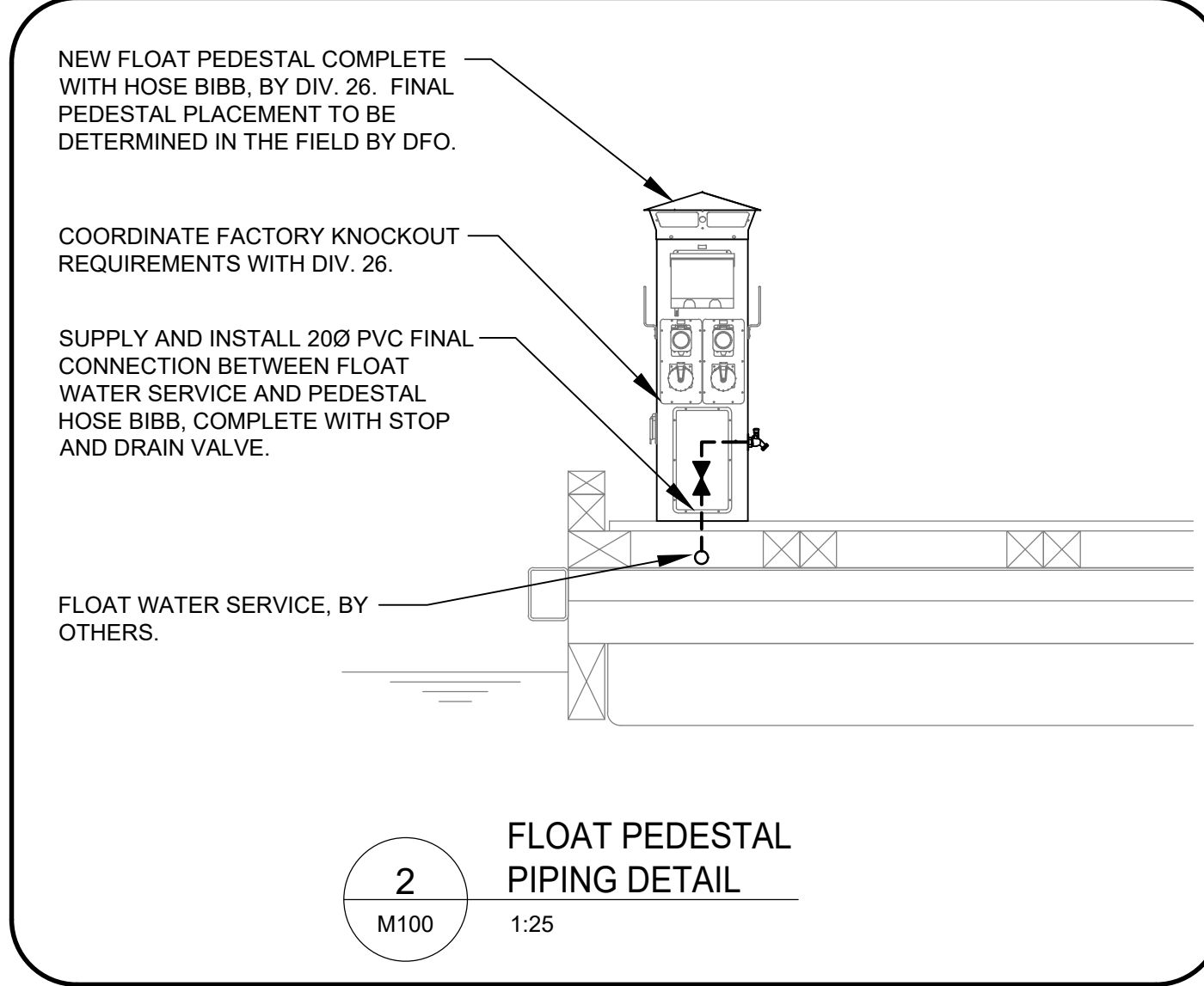
Client/client  
**DEPARTMENT OF FISHERIES AND OCEANS**  
**INSTITUTE OF OCEAN SCIENCES**  
 9860 W. SAANICH ROAD  
 SIDNEY, B.C.

Project title/Titre du projet  
**IOS TIMBER AND CONCRETE FLOATS A, B, C & D**

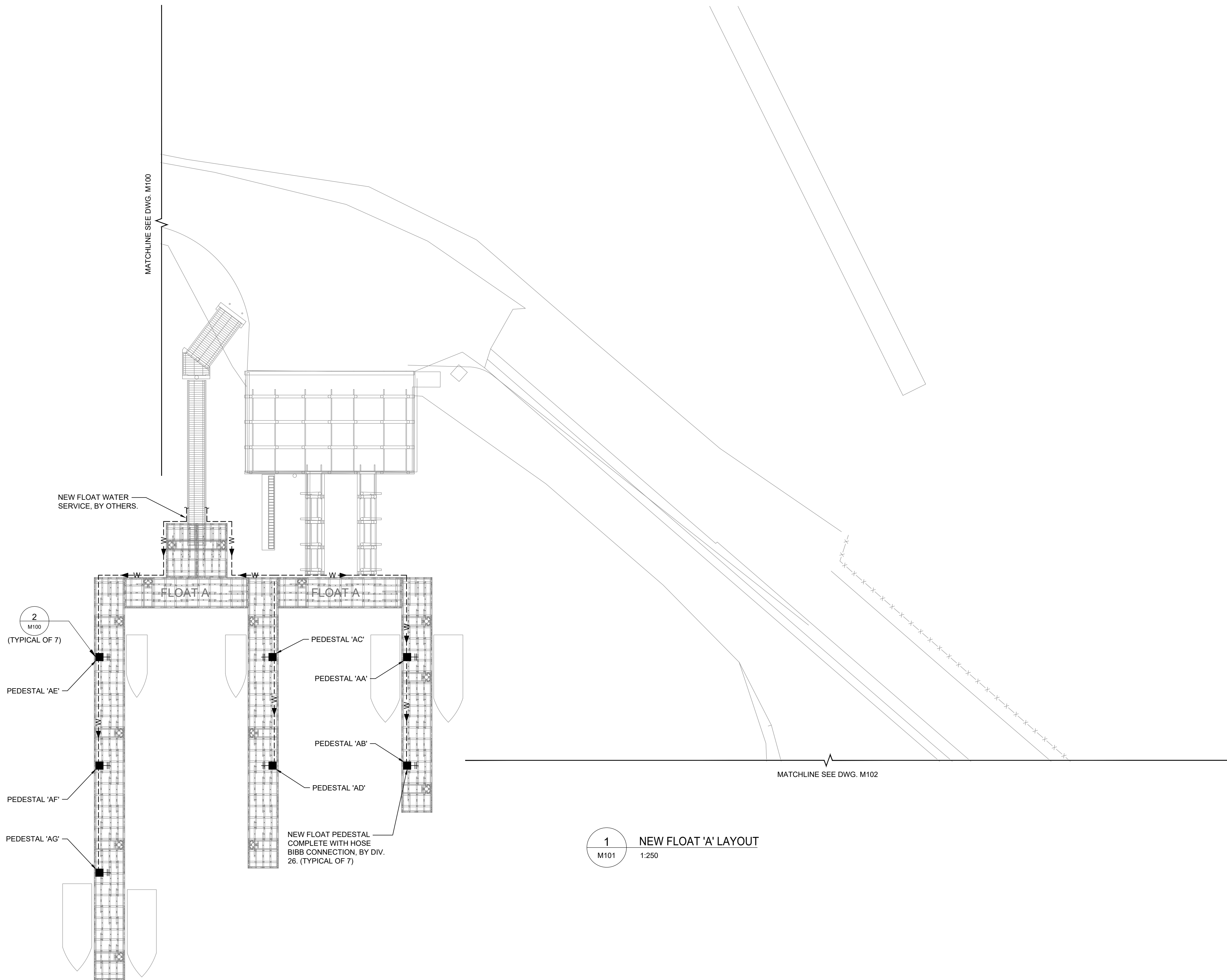
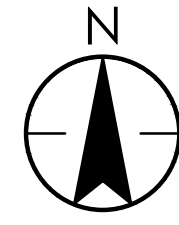
Consultant Signature Only  
 Designed by/Concept par  
 LI/TA  
 Drawn by/Dessiné par  
 LI  
 PWGSC Project Manager/Administrateur de Projets TPSGC  
 Regional Manager, Architectural and Engineering Services  
 Gestionnaire régionale, Services d'architecture et de génie, TPSGC

Drawing title/Titre du dessin  
**NEW FLOAT 'D' LAYOUT - MECHANICAL**

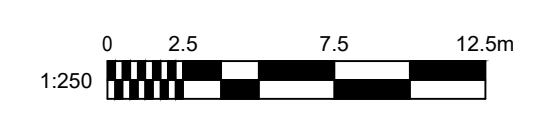
Project No./No. du projet	Sheet/Fauille	Revision no./Lo Révision no.
9R306-2	<b>M100</b> 2 OF 19	<b>1</b>



**1**  
M100  
1:250  
NEW FLOAT D LAYOUT



1 NEW FLOAT 'A' LAYOUT  
M101 1:250



Stantec Consulting Ltd.  
www.stantec.com  
STANTEC PROJECT NO.: 115615284 TSK200

Record Drawing  
These drawings have been prepared based on information provided by others. Stantec has not verified the accuracy and/or completeness of this information and shall not be responsible for any errors or omissions which may be incorporated herein as a result.

5		
4		
3		
2		
1		
0	ISSUED FOR RECORD	2019.05.15

Revision/	Description/Description	Date/Date
-----------	-------------------------	-----------

Client/client  
**DEPARTMENT OF FISHERIES AND OCEANS**  
**INSTITUTE OF OCEAN SCIENCES**  
9860 W. SAANICH ROAD  
SIDNEY, B.C.

Project title/Titre du projet  
**IOS TIMBER AND CONCRETE FLOATS A, B, C & D**

Consultant Signature Only

Designed by/Concept par  
LI/TA

Drawn by/Dessiné par  
LI

PWGSC Project Manager/Administrateur de Projets TPSGC

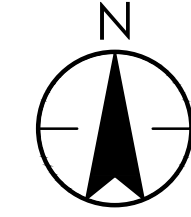
Regional Manager, Architectural and Engineering Services  
Gestionnaire régionale, Services d'architecture et de génie, TPSGC

Drawing title/Titre du dessin

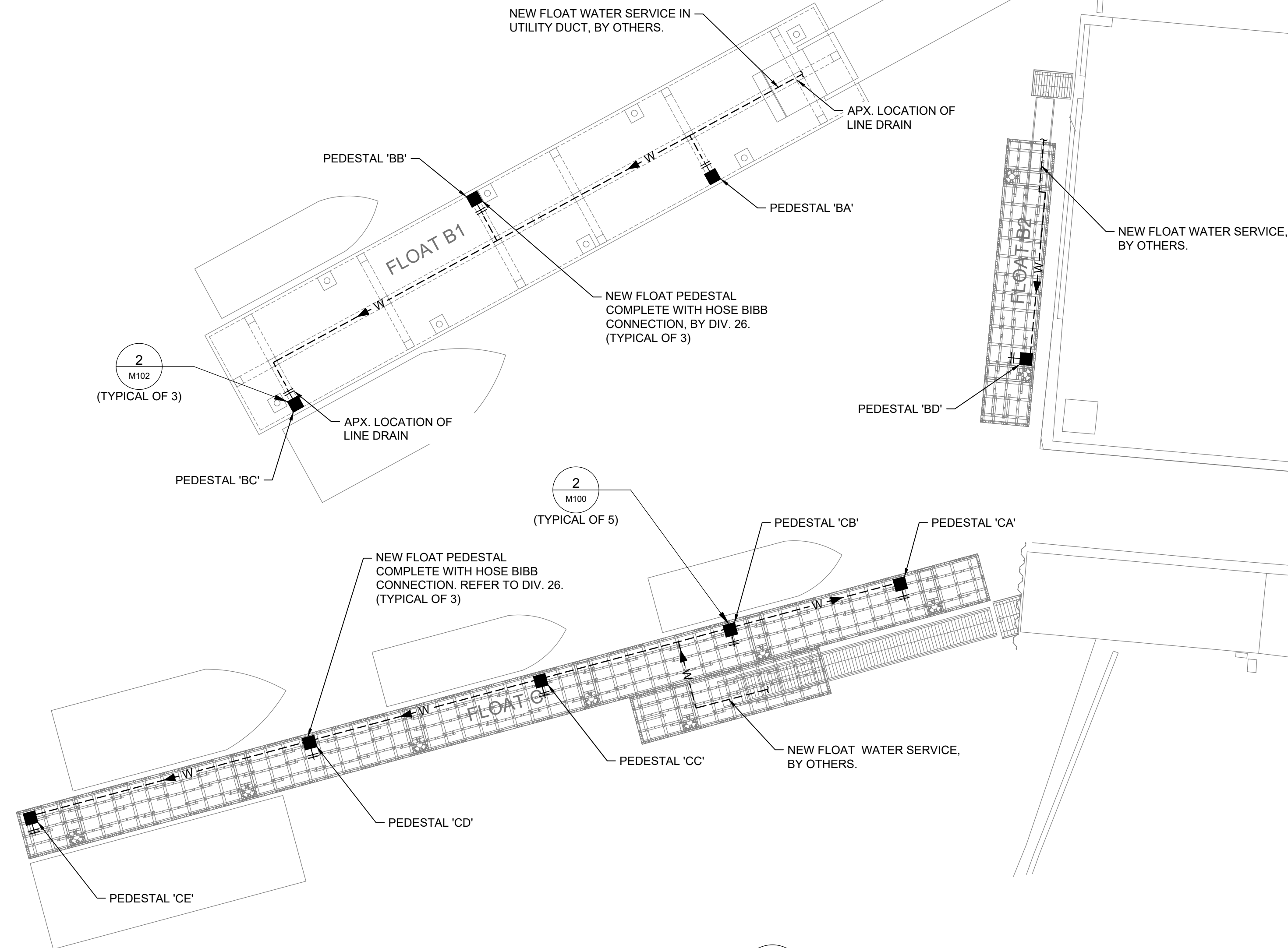
**NEW FLOAT 'A' LAYOUT - MECHANICAL**

Project No./No. du projet <b>9R306-2</b>	Sheet/Fauille <b>M101</b> 3 OF 19	Revision no./Lo Révision no. <b>1</b>
---	---	--

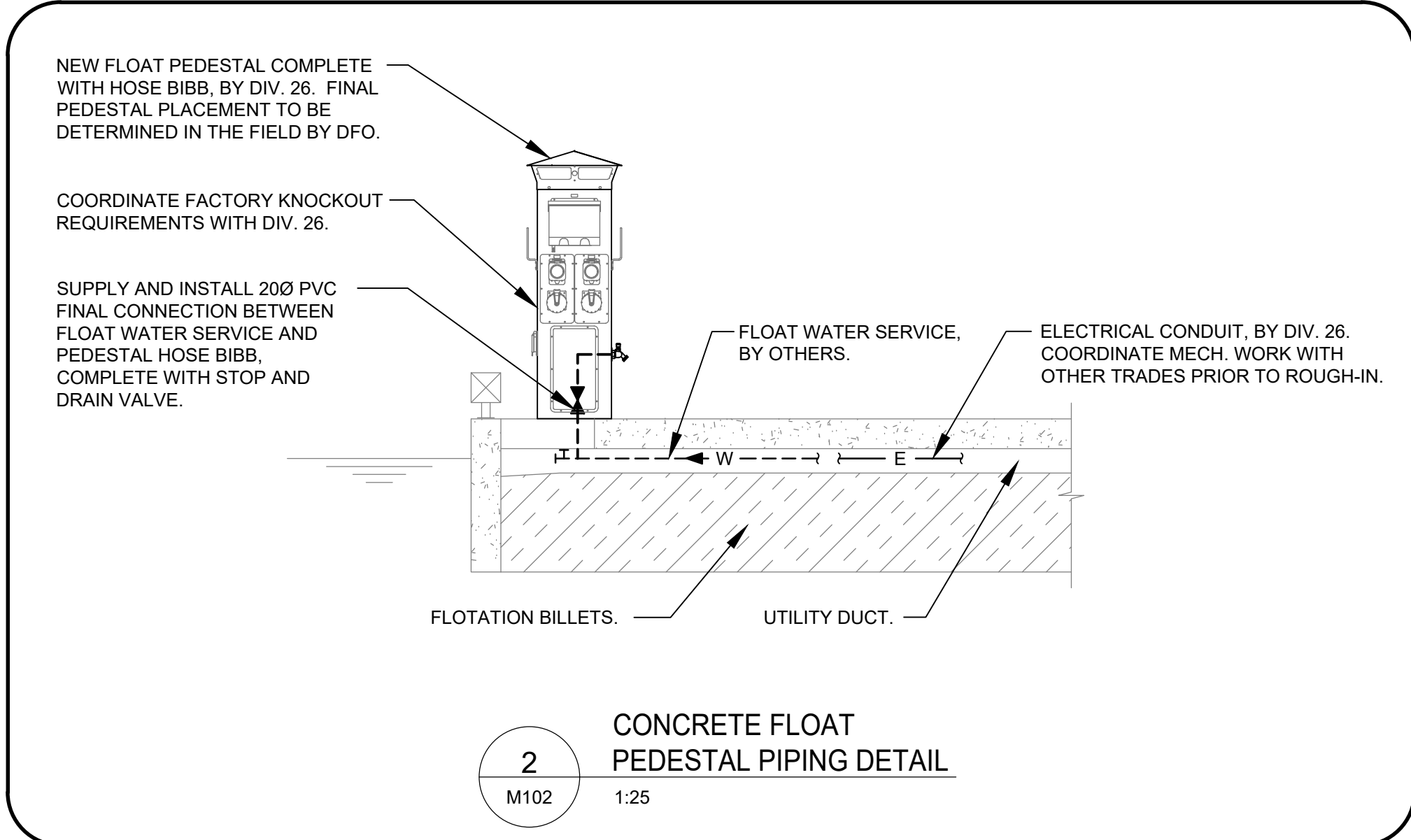
MATCHLINE SEE DWG. M101



Stantec Consulting Ltd.  
www.stantec.com  
STANTEC PROJECT NO.: 115615284 TSK200



1 NEW FLOATS 'B1', 'B2' & 'C' LAYOUT  
M102 1:250



2 CONCRETE FLOAT PEDESTAL PIPING DETAIL  
M102 1:25

Record Drawing

These drawings have been prepared based on information provided by others. Stantec has not verified the accuracy and/or completeness of this information and shall not be responsible for any errors or omissions which may be incorporated herein as a result.

5		
4		
3		
2		
1		
0	ISSUED FOR RECORD	2019.05.15

Revision/	Description/Description	Date/Date
-----------	-------------------------	-----------

Client/client  
**DEPARTMENT OF FISHERIES AND OCEANS**  
INSTITUTE OF OCEAN SCIENCES  
9860 W. SAANICH ROAD  
SIDNEY, B.C.

Project title/Titre du projet  
**IOS TIMBER AND CONCRETE FLOATS A, B, C & D**

Consultant Signature Only  
Designed by/Concept par  
LI/TA  
Drawn by/Dessiné par  
LI  
PWGSC Project Manager/Administrateur de Projets TPSGC  
Regional Manager, Architectural and Engineering Services  
Gestionnaire régionale, Services d'architecture et de génie, TPSGC

Drawing title/Titre du dessin  
**NEW FLOAT 'B1', 'B2' & 'C' LAYOUT - MECHANICAL**

Project No./No. du projet 9R306-2	Sheet/Fauille M102 4 OF 19	Revision no./Lo Révision no. 1
--------------------------------------	----------------------------------	-----------------------------------

