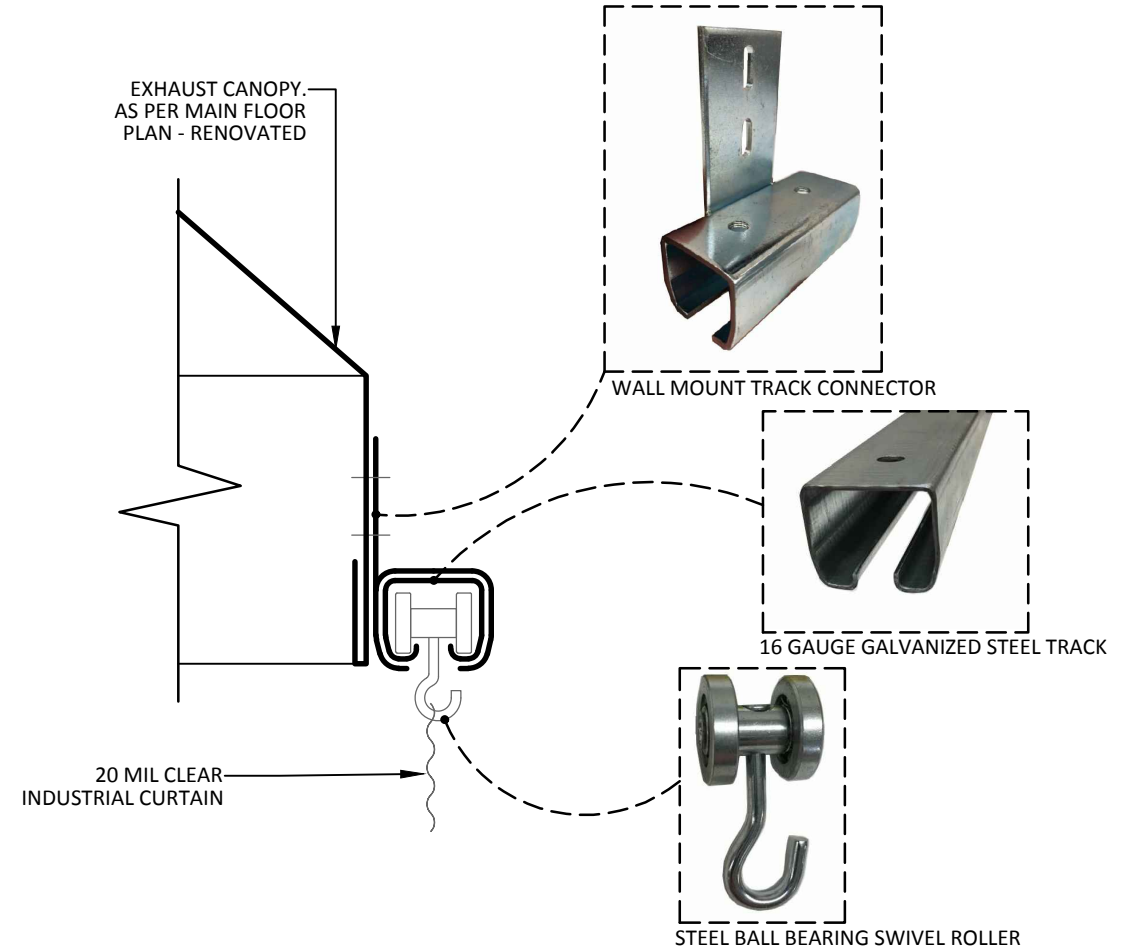
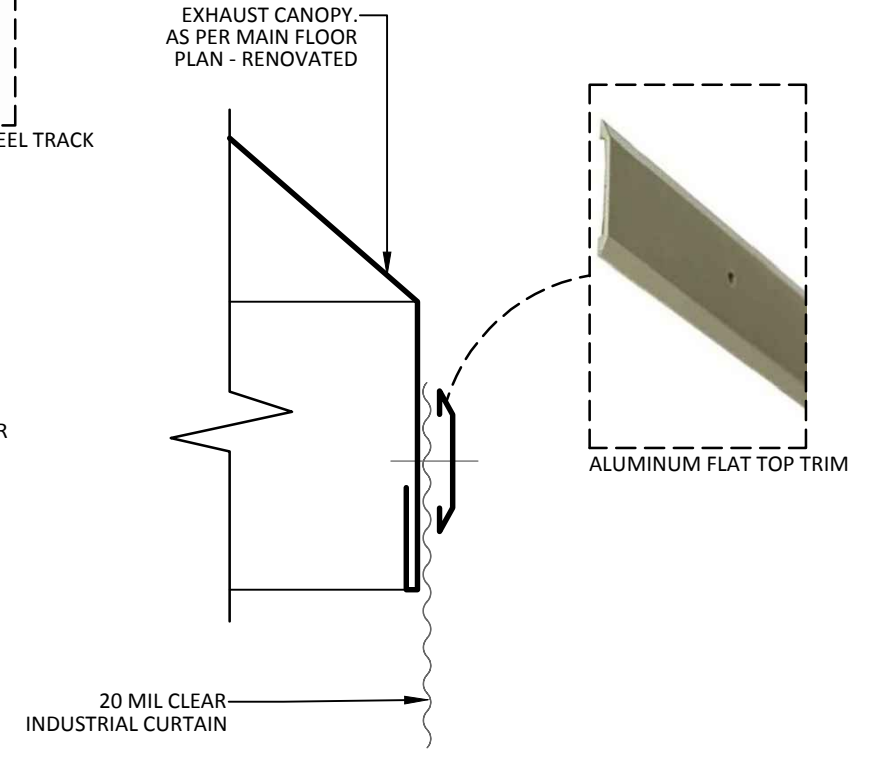


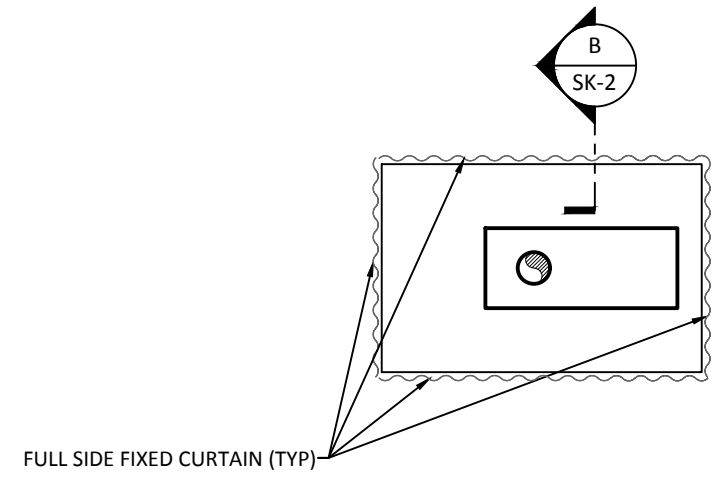
**1 EXHAUST CANOPY TOP VIEW**  
 SK-2 SCALE 1" = 1' 0"  
 W/ ONE SIDE RETRACTABLE



**A TYP. MOVABLE CURTAIN DETAIL**  
 SK-2 SCALE 3" = 1' 0"



**B TYP. FIXED CURTAIN DETAIL**  
 SK-2 SCALE 3" = 1' 0"



**2 EXHAUST CANOPY TOP VIEW**  
 SK-2 SCALE 1" = 1' 0"  
 FIXED CURTAIN ALL SIDES